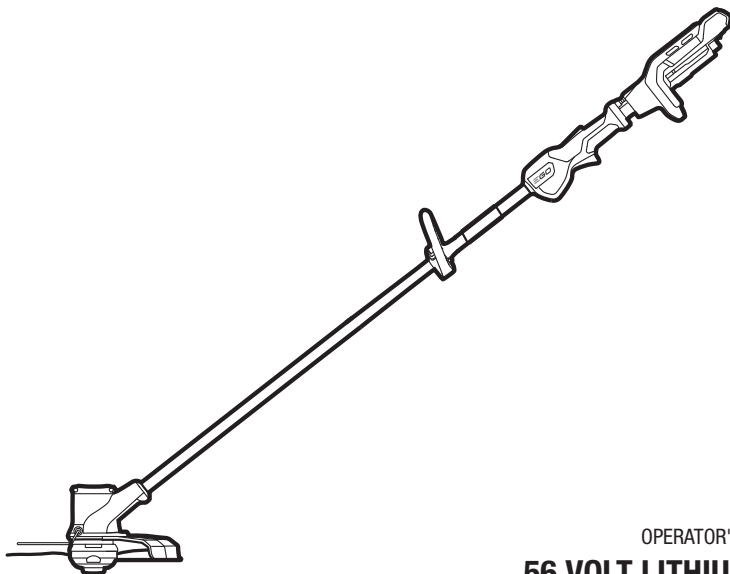


EGO™

POWER⁺ LINE TRIMMER

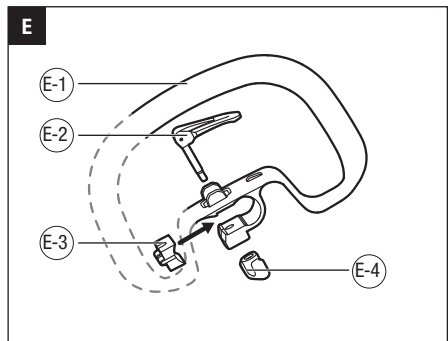
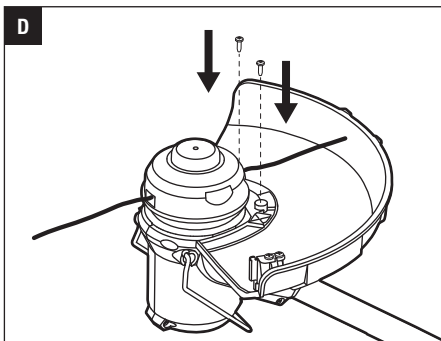
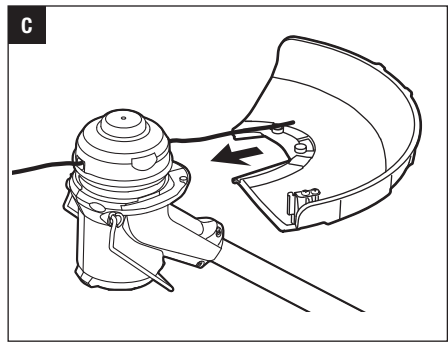
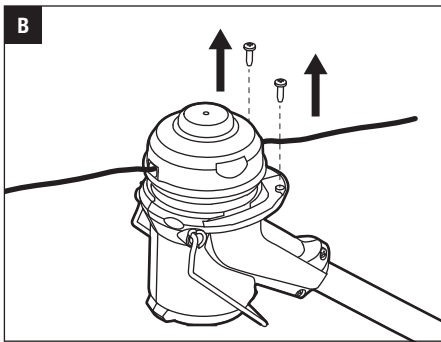
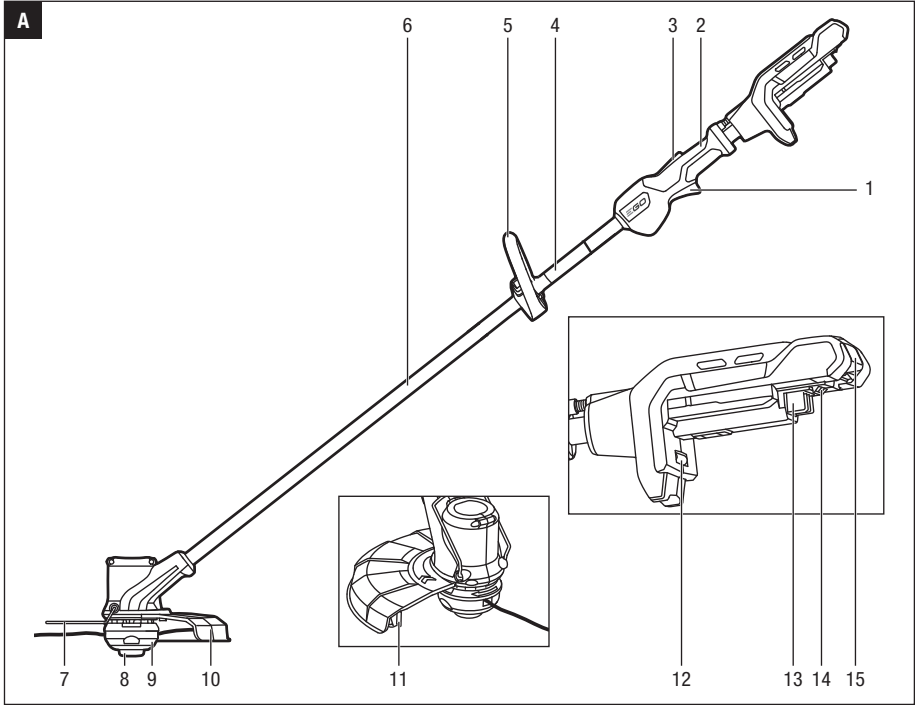


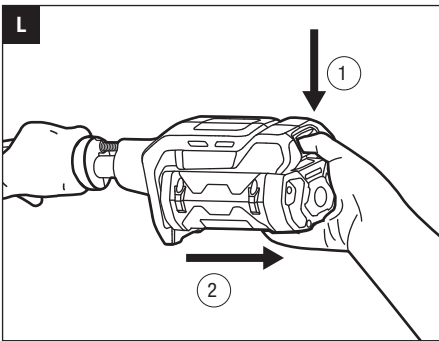
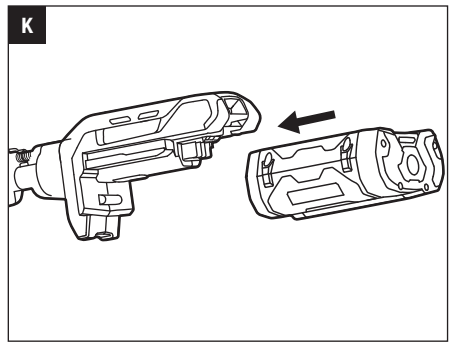
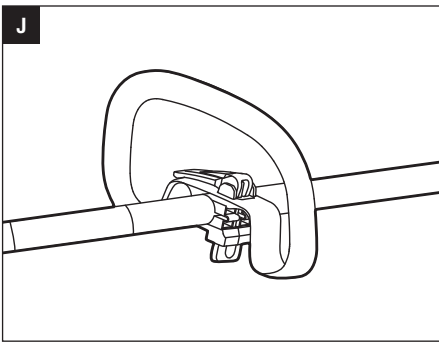
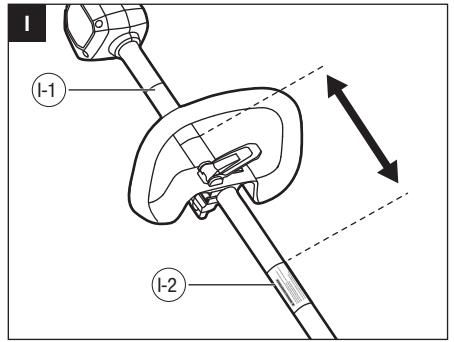
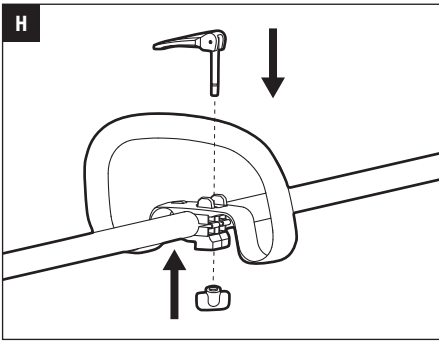
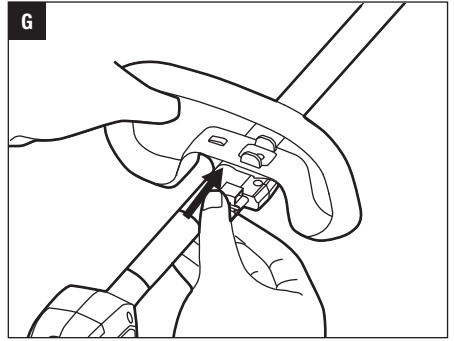
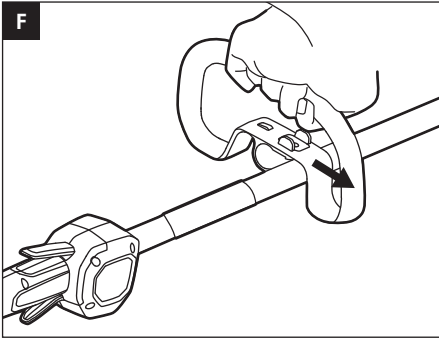
OPERATOR'S MANUAL

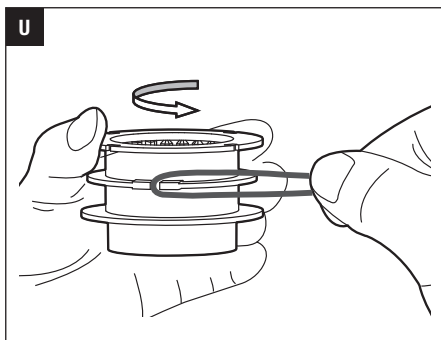
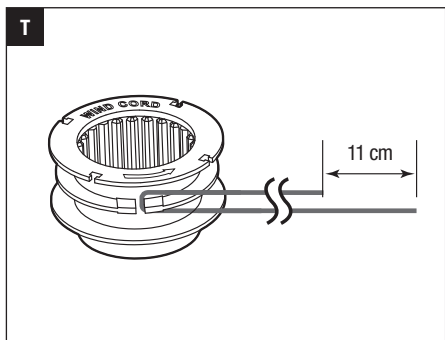
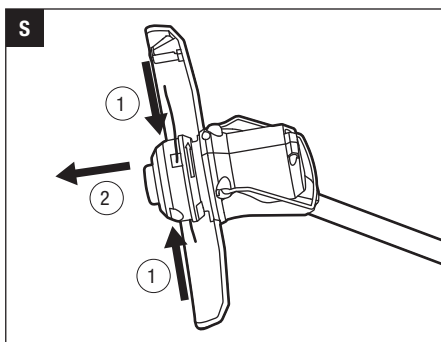
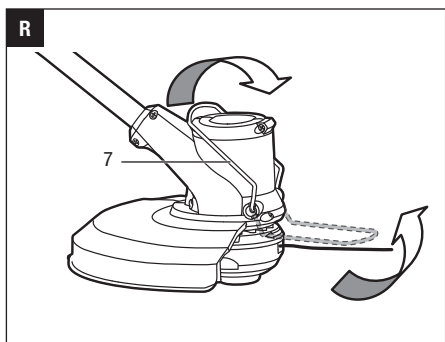
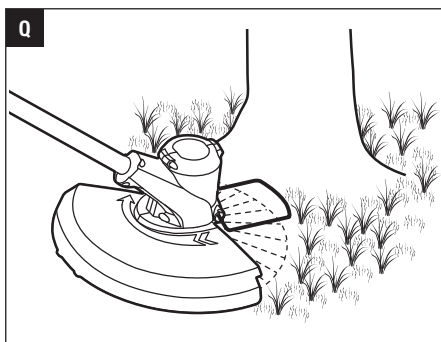
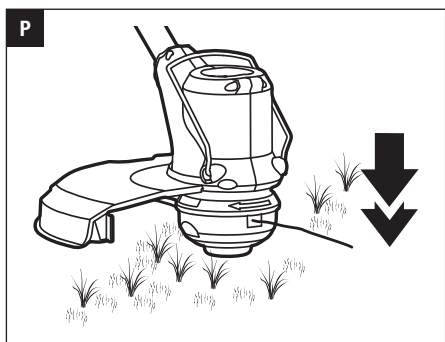
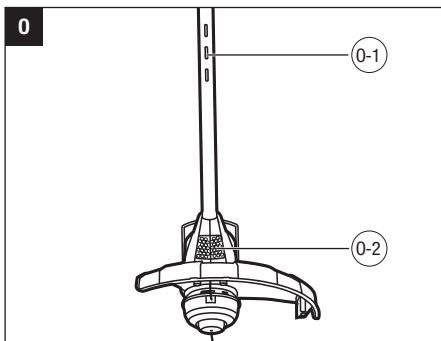
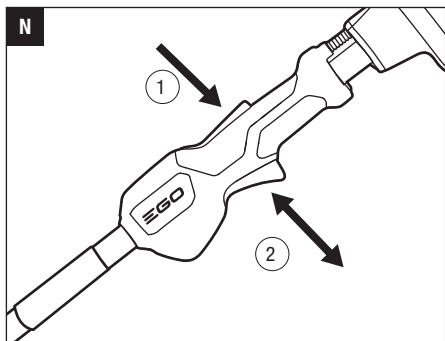
56 VOLT LITHIUM-ION CORDLESS LINE TRIMMER

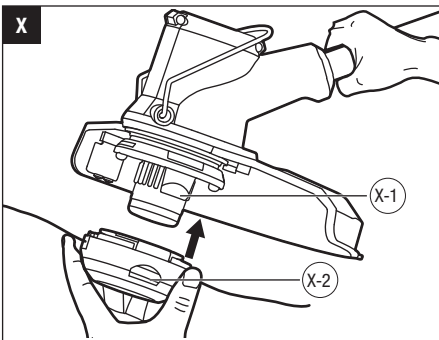
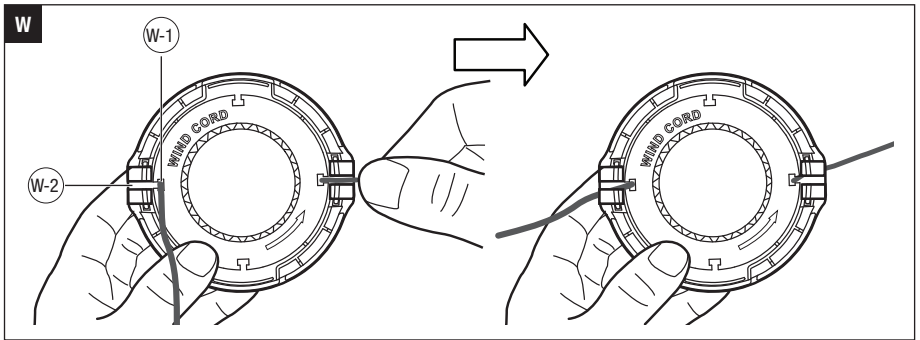
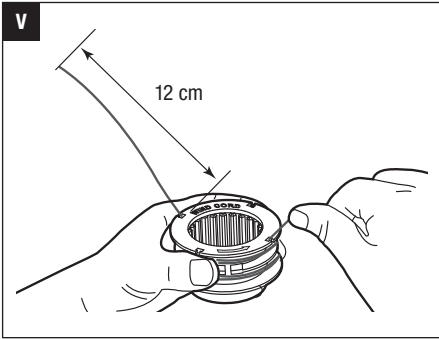
MODEL NUMBER ST1210E

EN	56 volt lithium-ion cordless line trimmer	6	CZ	56voltová lithiium-iontová akumulátorová	
DE	Kabelloser fadenmäher 56 volt	16		strunová sekačka	142
FR	Taille-bordure sans fil lithium-ion 56 v	27	SK	56V lítium-iónová bezdrôtová strunová kosačka	152
ES	Recortadora de hilo inalámbrica de 56 voltios	38	HU	56 voltos vezeték nélküli lítium-ion motoros	
PT	Aparador de fio sem fios de 56 volts	50		lánzfűrész	162
IT	Decespugliatore senza fili li-ion 56 volt	60	RO	Trimmer cu fir și cu acumulator de litiu ion de	
NL	56 volt lithium-ion accugrastrimmer	70		56 volți	172
DK	56 volt lithium-ion akku græstrimmer	80	SL	56-voltna litij-ionska brezžična kosilnica z nitko	182
SE	56 volt lithium-ion-batteri sladdlös græstrimmer	90	LT	56 voltų ličio jonų belaidis pjūklas su siūlu	191
FI	56 voltin litium-ion akkukäyttöinen siimaleikkuri	100	LV	56 voltu litija jonu bezvadu trimmeris ar auklu	201
NO	56 volt lithium-ion gresstrimmer uten ledning	110	GR	Ασυρματο χλοοκοπτικό με νημα λιθίου - ιοντων	
RU	Беспроводной триммер с леской и			56 volt	211
	литий-ионным аккумулятором 56 в	120	TR	56 volt lityum-iyon kablosuz misinali çim biçme	
PL	Podkaszarka bezprzewodowa z baterią			makinesi	222
	litowo-jonową 56 woltów	131	ET	56-voldise liitiumioonakuga juhtmata	
				jõhvtrimmer	232









READ ALL INSTRUCTIONS!



READ & UNDERSTAND INSTRUCTION MANUAL

⚠ Residual risk! People with electronic devices, such as pacemakers, should consult their physician(s) before using this product. Operation of electrical equipment in close proximity to a heart pacemaker could cause interference or failure of the pacemaker.

⚠ WARNING: To ensure safety and reliability, all repairs and replacements should be performed by a qualified service technician.

SAFETY SYMBOLS

The purpose of safety symbols is to attract your attention to possible dangers. The safety symbols and the explanations with them deserve your careful attention and understanding. The symbol warnings do not, by themselves, eliminate any danger. The instructions and warnings they give are no substitutes for proper accident prevention measures.

⚠ WARNING: Be sure to read and understand all safety instructions in this Operator's Manual, including all safety alert symbols such as **"DANGER," "WARNING,"** and **"CAUTION"** before using this tool. Failure to following all instructions listed below may result in electric shock, fire, and/or serious personal injury.

SYMBOL MEANING

SAFETY ALERT SYMBOL: Indicates DANGER, WARNING, or CAUTION. May be used in conjunction with other symbols or pictographs.



⚠ WARNING: The operation of any power tools can result in foreign objects being thrown into your eyes, which can result in severe eye damage. Before beginning power tool operation, always wear safety goggles or safety glasses with side shields and a full face shield when needed. We recommend a Wide Vision Safety Mask for use over eyeglasses or standard safety glasses with side shields.

SAFETY INSTRUCTIONS

This page depicts and describes safety symbols that may appear on this product. Read, understand, and follow all instructions on the machine before attempting to assemble and operate.

	Safety Alert	Precautions that involve your safety.
	Read Operator's Manual	To reduce the risk of injury, user must read and understand operator's manual before using this product.
	Wear Eye Protection	Always wear safety goggles or safety glasses with side shields and a full face shield when operating this product.
	Wear Ear Protection	Always wear ear protection when operating this product.
	Line Diameter	The Diameter of the nylon cutting line
	Cutting Width	The Max. cutting width of line trimmer
	Do Not Expose To Rain	Do not use in the rain or leave outdoors while it is raining.
	Class II Construction	Double-insulated Construction.
	Keep Bystanders Away	Ensure that other people and pets remain at least 15m away from the line trimmer when it is in use.
	Keep Bystanders Away	Ensure that other people and pets remain at least 15m away from the line trimmer when it is in use.
V	Volt	Voltage
A	Amperes	Current
Hz	Hertz	Frequency (cycles per second)
W	Watt	Power
min	Minutes	Time
~	Alternating Current	Type of current
≡	Direct Current	Type or a characteristic of current

n_0	No Load Speed	Rotational speed, at no load
... /min	Per Minute	Revolutions per minute

IMPORTANT SAFETY INSTRUCTIONS

⚠ WARNING: When using line trimmers, basic safety precautions should always be followed to reduce the risk of fire, electric shock, and personal injury, including the following:

READ CAREFULLY BEFORE USE

KEEP FOR FUTURE REFERENCE

⚠ DANGER: Do not rely on the tool's insulation against electric shock. To reduce the risk of electrocution, never operate the machine in the vicinity of any wires or cables (power, etc.) which may carry electric current.

⚠ CAUTION: Wear appropriate personal hearing protection during use. Under some conditions and durations of use, noise from this product may contribute to hearing loss.

TRAINING

- Read the instructions carefully. Be familiar with the controls and the proper use of the machine.
- Never allow people unfamiliar with these instructions or children to use the machine. Local regulations can restrict the age of the operator.
- Keep in mind that the operator or user is responsible for accidents or hazards occurring to other people or their property.

PREPARATION

- Never operate the machine while people, especially children, or pets are nearby.
- Wear eye protection and stout shoes at all times while operating the machine.

OPERATION

- Use the machine only in daylight or good artificial light.
- Never operate the machine with damaged guards or shields or without guards or shields in place.
- Switch on the motor only when the hands and feet are away from the cutting means.
- Always disconnect the machine from the power supply (i.e. remove the plug from the mains or remove the disabling device).

- whenever leaving the machine unattended;
- before clearing a blockage;
- before checking, cleaning or working on the machine;
- after striking a foreign object;
- whenever the machine starts vibrating abnormally.
- Take care against injury to feet and hands from the cutting means.
- Always ensure that the ventilation openings are kept clear of debris.

MAINTENANCE AND STORAGE

- Disconnect the machine from the power supply (i.e. remove the plug from the mains or remove the disabling device) before carrying out maintenance or cleaning work.
- Use only the manufacturer's recommended replacement parts and accessories.
- Inspect and maintain the machine regularly. Have the machine repaired only by an authorized repairer.
- When not in use, store the machine out of the reach of children.

OTHER SAFETY WARNINGS

- Avoid Dangerous Environments – Don't use trimmers in damp or wet locations.
- Always turn the line trimmer off or remove the battery pack whenever leaving the trimmer unattended.
- Don't Use In Rain.
- Keep Children Away – All visitors should be kept at a distance from work area.
- Dress Properly – Do not wear loose clothing or jewelry. They can be caught in moving parts. Use of rubber gloves and substantial footwear is recommended when working outdoors. Wear protective hair covering to contain long hair.
- Use Safety Glasses – Always use a face or dust mask if operation is dusty.
- Use the Right Tool – Do not use the tool for any job except that for which it is intended.
- Don't Force the Trimmer – It will do the job better and with less likelihood of a risk of injury at the rate for which it was designed.
- Don't Overreach – Keep proper footing and balance at all times.
- Stay Alert – Watch what you are doing. Use common sense. Do not operate the trimmer when you are tired.

- Do not operate the trimmer while under the influence of alcohol or drugs.
- Keep guards in place and in working order.
- Store Trimmer Indoors – When not in use the trimmer should be stored indoors in a dry and high or locked-up place with the battery pack removed – out of reach of children.
- Maintain Trimmer With Care – Keep the cutting attachment clean for best performance and to reduce the risk of injury. Follow instructions for changing accessories. Keep handles dry, clean, and free from oil and grease.
- Check Damaged Parts – Before further use of the trimmer, a guard or other part that is damaged should be carefully checked to determine that it will operate properly and perform its intended function. Check for alignment of moving parts, binding of moving parts, breakage of parts, mounting, and any other condition that may affect its operation. A guard or other part that is damaged should be properly repaired or replaced by an authorized service center unless indicated elsewhere in this manual.
- Clear the area to be cut before each use. Remove all objects such as rocks, broken glass, nails, wire, or line that can be thrown or become entangled in the cutting attachment. Make sure that other persons and pets are at least 15m away.
- Before using the machine and after any impact, check for signs of wear or damage and repair as necessary.
- Always hold the trimmer firmly, with both hands on the handles while operating. Wrap your fingers and thumbs around the handles.
- Avoid Accidentally Starting–Don't carry the trimmer with your finger on the trigger.
- Do not operate the trimmer in petrolic or explosive atmospheres. Motors in these appliances normally spark, and the sparks might ignite fumes.
- Damage to Trimmer – If you strike a foreign object with the trimmer or it becomes entangled, stop the tool immediately, remove the battery pack from the line trimmer, check for damage and have any damage repaired before further operation is attempted. Do not operate with a broken guard or spool.
- If the equipment should start to vibrate abnormally, stop the motor, remove the battery pack from the line trimmer, and check immediately for the cause. Vibration is generally a warning of trouble. A loose head may vibrate, crack, break or come off the trimmer, which may result in serious or fatal injury. Make sure that the cutting attachment is properly fixed in position. If the head loosens after fixing it in position, replace it immediately. Never use a trimmer with a loose cutting attachment.
- Replace a cracked, damaged or worn-out cutting head immediately, even if damage is limited to superficial cracks. Such attachments may shatter at high speed and cause serious or fatal injury.
- Check the cutting attachment at regular short intervals during operation, or immediately if there is a noticeable change in cutting behavior.
- Only use EGO™ (Ø2,0 mm) authorized polymer trimmer line accessories and trimmer line that are designed for use with this tools. Although certain unauthorized attachments might be fitted to the EGO™ line trimmer, their use may be extremely dangerous, and/or damaging to the tools.
- To reduce the risk of serious injury, never use wire or metal-reinforced line or other material in place of the nylon cutting lines. Pieces of wire could break off and be thrown at high speed toward the operator or bystanders.
- To reduce the risk of injury from loss of control, never work on a ladder or on any other insecure support. Never hold the cutting attachment above waist height.
- If situations occur that are not covered in this manual, use care and good judgment. Contact the EGO Service Center for assistance.
- Do not charge the battery pack in rain, or in wet locations.
- Use only with battery packs and chargers listed below:

BATTERY	CHARGER
BA1120E, BA2240E, BA2800, BA3360, BA4200	CH5500E, CH2100E

- The battery pack must be removed from the appliance before it is scrapped.
- The battery shall be disposed of safely.
- Do not dispose of the battery in a fire. The cells may explode. Check with local codes for possible special disposal instructions.
- Do not open or mutilate the battery. Released electrolyte is corrosive and may cause damage to the eyes or skin. It may be toxic if swallowed.
- Exercise care in handling batteries in order not to short the battery with conducting materials such as rings, bracelets, and keys. The battery or conductor may overheat and cause burns.
- When servicing, use only identical EGO™ replacement parts. Use of any other accessory or attachment may increase the risk of injury.

- Battery tools do not have to be plugged into an electrical outlet; therefore, they are always in operating condition. Be aware of possible hazards even when the tool is not operating. Take care when performing maintenance or service.
- Do not wash with a hose; avoid getting water in motor and electrical connections.
- Save these instructions. Refer to them frequently and use them to instruct others who may use this tool. If you loan this tool to someone else, also loan these instructions to them to prevent misuse of the product and possible injury.
- Always wear substantial footwear and long trousers while operating the machine.
- Always be sure of the footing on slopes and to walk, never run.

SAVE THESE INSTRUCTIONS!

SPECIFICATIONS

Voltage	56 V $\overline{\text{---}}$	
No-load speed	7000 /min	
Cutting Mechanism	Bump Head	
Cutting Line Type	AL0800 \varnothing 2.0 mm nylon round line	
Cutting Width	30 cm	
Weight (without battery pack)	2.85 kg	
Measured sound power level L_{WA}	90.76 dB(A) K=2.5 dB(A)	
Sound pressure level at operator's ear L_{PA}	75.0 dB(A) K=2.5 dB(A)	
Guaranteed sound power level L_{WA} (according to 2000/14/EC)	91 dB(A)	
Vibration a_h	Rear Handle	3.279 m/s ² K=1.5 m/s ²
	Front Handle	4.915 m/s ² K=1.5 m/s ²

- The declared vibration total value has been measured in accordance with a standard test method and may be used for comparing one tool with another;
- The declared vibration total value may also be used in a preliminary assessment of exposure.

NOTICE: The vibration emission during actual use of the power tool can differ from the declared value in which the tool is used; In order to protect the operator, user should wear gloves and ear protectors in the actual conditions of use.

PACKING LIST

PART NAME	QUANTITY
Line Trimmer	1
Guard	1
Front-assist handle assembly	1
Hex wrench	1
Operator's manual	1

DESCRIPTION

KNOW YOUR LINE TRIMMER (Fig. A)

1. Trigger
2. Rear Handle
3. Lock-Off Lever
4. Soft Sleeve
5. Adjustable Front-assist Handle
6. Shaft
7. Bump Protector
8. Bump Knob
9. Bump Head (Cutting Head)
10. Guard
11. Line-cutting Blade
12. Ejection Mechanism
13. Electric Contacts
14. Latch
15. Battery-release Button

ASSEMBLY

⚠ WARNING: If any parts are damaged or missing, do not operate this product until the parts are replaced. Use of this product with damaged or missing parts could result in serious personal injury.

⚠ WARNING: Do not attempt to modify this product or create accessories not recommended for use with this line trimmer. Any such alteration or modification is misuse and could result in a hazardous condition leading to possible serious

⚠ WARNING: To prevent accidental starting that could cause serious personal injury, always remove the battery pack from the tool when assembling parts.

MOUNTING THE GUARD (Fig. B & C & D)

⚠ WARNING: Always wear gloves when mounting or replacing the guard. Take care of the blade on the guard and protect your hand from cutting.

⚠ WARNING: Never operate the tool without the guard firmly in place. The guard must always be on the tool to protect the user! When the guard was fixed, never attempted to remove or adjust the guard, if replace needed, it shall be performed by a qualified service technician!

Face the trimmer head up, loosen and remove the two screws. Then align the guide ribs with the housing slots, push the guard into place and lock it with the two screws. Make sure that the internal surface of the guard faces towards the trimmer head.

MOUNTING AND ADJUSTING THE FRONT-ASSIST HANDLE

Push the front-assist handle onto the shaft (Fig. F), then insert the clamping block into the handle slot (Fig. G), mount the lock pole, lock them with the wing nut (Fig. H). The sequence is as Fig. E shown. Lastly, adjust the front-assist handle position to make your front arm is straight when using the trimmer (Fig. I) and then lock the lever of the lock pole (Fig. J).

Fig. E & I parts description see below:

E-1	Front-assist Handle	E-4	Wing Nut
E-2	Lock Pole	I-1	Soft Sleeve
E-3	Clamping Block	I-2	Warning Label

NOTICE: The front-assist handle should be turned upwards to point toward the top of the handle.

⚠ WARNING: Only fix the front-assist handle in front of the soft sleeve on the shaft.

⚠ WARNING: The tool can not be used without the front-assist handle reliably fixed.

OPERATION

⚠ WARNING: Do not allow familiarity with this product to make you careless. Remember that a careless fraction of a second is sufficient to inflict serious injury.

⚠ WARNING: Always wear eye protection with side shields. Along with hearing protection. Failure to do so could result in objects being thrown into your eyes and other possible serious injuries.

⚠ WARNING: Do not use any attachments or accessories not recommended by the manufacturer of this product. The use of attachments or accessories not recommended can result in serious personal injury.

⚠ WARNING: Use your line trimmer equipped with the appropriate cutting line only for cutting grass and similar material.

⚠ WARNING: To prevent accidental starting that could cause serious personal injury, always remove the battery pack from the tool when assembling parts making adjustments, cleaning, or when not in use.

You may use this product for the purposes listed below:

Trimming: used for removing grass and weeds up against walls, fences, trees and borders.

Cutting: used for cutting the grass that is difficult to reach using a normal mower.

NOTICE: The tool is to be used only for its prescribed purpose. Any other use, for example edge trimming, is deemed to be a case of misuse

ATTACHING/DETACHING THE BATTERY PACK

Fully charge before first use.

To Attach (Fig. K)

Align the battery ribs with the mounting slots and press the battery pack down until you hear a "click".

To Detach (Fig. L)

⚠ WARNING: Always take care of your feet and children or pets around you when pressing the battery release button. Serious injury could result if the battery pack falls. NEVER remove the battery pack at a high location.

Depress the battery-release button and pull the battery pack out.

HOLDING THE LINE TRIMMER

⚠ WARNING: Dress properly to reduce the risk of injury when operating this tool. Do not wear loose clothing or jewelry. Wear eye and ear/hearing protection. Wear heavy, long pants, boots and gloves. Do not wear short pants, sandals or go barefoot.

Before operating, hold the trimmer with both hands, one hand on the rear handle and the other on the front-assist handle which shall be straight (Fig. M). Then check for balanced footing and a proper cutting distance.

STARTING/STOPPING THE LINE TRIMMER (Fig. N)

To Start

Press down the lock-off lever and hold it in that position. Depress the trigger to turn on the line trimmer.

To Stop

Release the lock-off lever and the trigger.

⚠ WARNING: Always remove the battery pack from the line trimmer during work breaks and after finishing work.

USING THE LINE TRIMMER

⚠ WARNING: To avoid serious personal injury, wear goggles or safety glasses at all times when operating this unit. Wear a face mask or dust mask in dusty locations.

Clear the area to be cut before each use. Remove all objects, such as rocks, broken glass, nails, wire, or line, that can be thrown or become entangled in the cutting attachment. Clear the area of children, bystanders, and pets. At a minimum, keep all children, bystanders and pets at least 15m away; there still may be risk to bystanders from thrown objects. Bystanders should be encouraged to wear eye protection. If you are approached, stop the motor and cutting attachment immediately.

Before each use check for damage/worn parts

Check the bump head, guard and front-assist handle and replace the parts that are cracked, warped, bent, or damaged in any way.

The line-cutting blade on the edge of the guard can dull over time. It is recommended that you periodically sharpen it with a file or replace it with a new blade.

⚠ WARNING: Always wear gloves when mounting the guard or sharpen or replacing the blade. Take care of the blade on the guard and protect your hand from cutting.

After each use, clean the trimmer.

- Use only mild soap and a damp cloth to clean the tool. Never let any liquid get inside the tool; never immerse any part of the tool into a liquid.
- Keep air vents in the motor housing and shaft free from debris at all times (Fig. O).

Fig. O parts description see below:

0-1	Air vents in shaft
0-2	Air vents in motor housing

⚠ CAUTION: Obstructions in the vents will prevent the air from flowing into the motor housing and result in overheating or damaged of the motor.

⚠ WARNING: Never use water for cleaning your trimmer. Avoid using solvents when cleaning plastic parts. Most plastics are susceptible to damage from various types of commercial solvents. Use clean cloths to remove dirt, dust, oil, grease, etc.

ADJUSTING CUTTING LINE LENGTH

The bump head allows the operator to release more cutting line without stopping the motor. As line becomes frayed or worn, additional line can be released by lightly tapping the bump knob on the ground while operating the trimmer (Fig. P).

For best results, tap the bump knob on bare ground or hard soil. If line release is attempted in tall grass, the motor may overheat. Always keep the cutting line fully extended. Line release becomes more difficult as the cutting line becomes shorter.

⚠ WARNING: Do not remove or alter the line cutting blade assembly. Excessive line length will cause the motor to overheat and may result in serious personal injury.

WORKING WITH BUMP PROTECTOR

The bump protector can limit the cutting range of the cutting line and reduce the risk of the rotating cutting line causing damage (Fig. Q)

To use the bump protector, flip it down from its stored position (Fig. R).

⚠ WARNING: The bump head may continue to rotate briefly after you switch off the line trimmer. Wait for the bump head to come to a complete stop before adjusting the bump protector. Do not adjust it with your foot.

LINE REPLACEMENT

NOTICE: Always use standard nylon cutting line with diameter no more than $\varnothing 2.0$ mm.

⚠ WARNING: Never use metal-reinforced line, wire, rope, etc. These can break off and become dangerous projectiles.

There are two methods to replace the cutting line:

1. Wind the spool with new line.
2. Install a pre-wound spool (AS1301, if necessary, available in dealer).

Wind the spool with new line

Press the two release tabs on the spool base and pull the spool retainer out (Fig. S). Take out approximately 7m of new cutting line. Fold and wind it onto the spool as Fig. T & U shown. Then place the line ends through the two opposite notches in the spoon (Fig. V) and place the spoon into its retainer with notches aligned with retainer eyelets (Fig. W). Lastly, align the retainer slots with the tabs on the spool base and press the retainer evenly down, ensuring that it snaps into place (Fig. X).

NOTICE: Always clean the spool retainer, spool and spool base before reassembling the trimmer head. Check the spool retainer, spool and spool base for wear. If necessary, replace the wear parts.

NOTICE: Failure to wind the line in the direction indicated will cause the trimmer head to operate incorrectly.

Install a pre-wound spool

Press the two release tabs on the spool base and pull the spool retainer out (Fig. S). Then place a pre-wound spool into the retainer with notches aligned with retainer eyelets (Fig. W). Lastly, align the retainer slots with the tabs on the spool base and press the retainer evenly down, ensuring that it snaps into place (Fig. X).

Fig. W & X parts description see below:

W-1	Notch	X-1	Tab
W-2	Eyelet	X-2	Slot

NOTICE: Make sure that the tabs on the spool base snap into place or the spool will come out during operation.

MAINTENANCE

⚠ WARNING: When servicing, use only identical replacement parts. Inspect and maintain the machine regularly. To ensure safety and reliability, all repairs should be performed by a qualified service technician.

⚠ WARNING: Battery tools do not have to be plugged into an electrical outlet; therefore, they are always in operating condition. To prevent serious personal injury, take extra precautions and care when performing maintenance, service or for changing the cutting attachment or other attachments.

⚠ WARNING: To prevent serious personal injury, remove the battery pack from the tool before servicing, cleaning, changing add-on attachments or removing material from the unit.

CLEANING THE UNIT

- Clean the unit using a damp cloth with a mild detergent.
- Do not use any strong detergents on the plastic housing or the handle. They can be damaged by certain aromatic oils, such as pine and lemon, and by solvents such as kerosene. Moisture can also cause a shock hazard. Wipe off any moisture with a soft dry cloth.
- Use a small brush or the air discharge of a small vacuum cleaner brush to clean the air vents free of obstructions on the rear housing.

STORING THE UNIT

- Remove the battery pack from the line trimmer when it is not in use.
- Clean the tool thoroughly before storing it.
- Store the unit in a dry, well-ventilated area, locked-up or up high, out of the reach of children. Do not store the unit on or adjacent to fertilizers, petrol, or other chemicals.

Protecting the environment



Do not dispose of electrical equipment, battery charger and batteries/rechargeable batteries into household waste!

According to the European law 2012/19/EU, electrical and electronic equipment that is no longer usable, and according to the European law 2006/66/EC, defective or used battery packs/batteries, must be collected separately.

If electrical appliances are disposed of in landfills or dumps, hazardous substances can leak into the groundwater and get into the food chain, damaging your health and well-being.

EC DECLARATION OF CONFORMITY

We, EGO EUROPE GMBH

Wahlwiesenstrasse 1, D-71711 Steinheim an der Murr
Deutschland

Declare that the product **56V lithium-ion cordless line trimmer ST1210E** complies with the essential health and safety requirements of the following Directives:

2006/42/EC, 2014/30/EU, 2011/65/EU, 2000/14/EC

Standards and technical specifications referred to:

EN 60335-1, EN 50636-2-91, EN 55014-1, EN 55014-2

Measured Sound Power Level: 90.76 dB(A).

Guaranteed Sound Power Level: 91 dB(A).

Conformity assessment procedure of Annex VI is followed according 2000/14/EC.

Notified Body: Société Nationale de Certification et d'Homologation

Notified Body number : 0499

Peter Melrose
Managing Director of EGO
Europe GmbH

Dong Jianxun
Quality Manager of Chervon

* (Authorized representative for CHERVON and responsible for technical documentation)

01/09/2016

PROBLEM	CAUSE	SOLUTION
Line trimmer fails to start.	<ul style="list-style-type: none"> ■ The battery pack is not attached to the trimmer. ■ No electrical contact between the trimmer and battery. ■ The battery pack is depleted. ■ The lock-off lever and trigger are not depressed simultaneously. 	<ul style="list-style-type: none"> ■ Attach the battery pack to the trimmer. ■ Remove battery, check contacts and reinstall the battery pack. ■ Charge the battery pack. ■ Press down the lock-off lever and hold it, then depress the trigger to turn on the line trimmer.
LINE trimmer stops while cutting.	<ul style="list-style-type: none"> ■ The guard is not mounted on the trimmer, resulting in an overly long cutting line and motor overload. ■ Heavy cutting line is used. ■ The motor shaft or trimmer head is bound with grass. ■ The motor is overloaded. ■ The battery pack or line trimmer is too hot. ■ The battery pack is disconnected from the tool. ■ The battery pack is depleted. 	<ul style="list-style-type: none"> ■ Remove the battery pack and mount the guard on the trimmer. ■ Use only with nylon cutting line 2.0mm diameter or less. ■ Stop the trimmer, remove the battery, and remove the grass from the motor shaft and trimmer head. ■ Remove the trimmer head from the grass. The motor will recover to work as soon as the load is removed. When cutting, move the trimmer head in and out of the grass to be cut and remove no more than 20cm of length in a single cut. ■ Allow the battery pack or trimmer to cool until the temperature drops below 67°C. ■ Re-install the battery pack. ■ Charge the battery pack.
Trimmer head will not advance line.	<ul style="list-style-type: none"> ■ The motor shaft or trimmer head is bound with grass. ■ There is not enough line on the spool. ■ The trimmer head is dirty. ■ Line is tangled on spool. ■ The line is too short. 	<ul style="list-style-type: none"> ■ Stop the trimmer, remove the battery, and remove the grass from the motor shaft and trimmer head. ■ Remove the battery and replace the cutting line; follow the section “LINE REPLACEMENT” in this manual. ■ Remove the battery and clean the spool, spool retainer and spool base. ■ Remove the battery, remove the line from the spool and rewind; follow the section “LINE REPLACEMENT” in this manual. ■ Remove the battery and pull the lines while alternately pressing down on and releasing the bump knob.

PROBLEM	CAUSE	SOLUTION
Grass wraps around trimmer head and motor housing.	<ul style="list-style-type: none">■ Cutting tall grass at ground level.	<ul style="list-style-type: none">■ Cut tall grass from the top down, removing no more than 20cm in each pass to prevent wrapping.
Line is not cutting well.	<ul style="list-style-type: none">■ The line-cutting blade on the edge of the guard has become dull.	<ul style="list-style-type: none">■ Sharpen the line-cutting blade with a file or replace it with a new blade.

WARRANTY

EGO WARRANTY POLICY

Please visit the website egopowerplus.com for full terms and conditions of the EGO Warranty policy.

LESEN SIE ALLE ANWEISUNGEN!

DE



**LESEN UND BEACHTEN SIE
DIE BEDIENUNGSANLEITUNG**

⚠ Restrisiko! Menschen mit elektronischen Geräten, wie z.B. Herzschrittmachern, sollten ihren Arzt konsultieren, bevor sie dieses Gerät verwenden. Die Bedienung von Elektrogeräten in unmittelbarer Nähe zu Herzschrittmachern kann zu Interferenzen und Störungen des Schrittmachers führen.

⚠ WARNUNG: Um die Sicherheit und Zuverlässigkeit zu gewährleisten, sollten alle Reparaturen und der Austausch von Teilen nur von qualifizierten Servicetechnikern durchgeführt werden.

SICHERHEITSSYMBOL

Der Zweck von Warnsymbolen besteht darin, Ihre Aufmerksamkeit auf mögliche Gefahren zu lenken. Die Warnsymbole und deren Erklärungen verdienen Ihre vollste Aufmerksamkeit und Beachtung. Durch die Warnsymbole allein sind die Gefahren noch nicht ausgeschaltet. Die Anweisungen und Warnhinweise stellen keinen Ersatz für angemessene Unfallverhütungsmaßnahmen dar.

⚠ WARNUNG: Achten Sie darauf, dass Sie, bevor Sie das Gerät benutzen, alle Sicherheitsanweisungen dieser Bedienungsanleitung gelesen und verstanden haben, einschließlich aller Gefahrenzeichen wie „**VORSICHT**“, „**WARNUNG**“ und „**ACHTUNG**“. Die Nichtbeachtung der unten angeführten Anweisungen kann zu Stromschlägen, Feuer und/oder schweren Personenschäden führen.

SYMBOLBEDEUTUNG

SYMBOL FÜR SICHERHEITSWARNUNGEN: Weist auf GEFAHR, eine WARNUNG oder VORSICHT hin. Kann zusammen mit anderen Symbolen oder Bildern verwendet werden.



⚠ WARNUNG: Die Bedienung von Elektrogeräten kann dazu führen, dass Fremdkörper in Ihre Augen geschleudert werden und Sie dadurch schwerwiegende Augenschäden davontragen. Tragen Sie immer eine Schutzbrille, wenn möglich mit Seitenschutz, oder, falls nötig, einen vollen Gesichtsschutz, bevor Sie Arbeiten mit dem Elektrowerkzeug verrichten. Wir empfehlen Ihnen, einen Gesichtsschutz über Ihrer eigenen Brille oder eine herkömmliche Schutzbrille mit Seitenschutz zu tragen.

SICHERHEITSHINWEISE

Diese Seite zeigt und beschreibt die Sicherheitssymbole, die auf diesem Produkt erscheinen können. Lesen, verstehen und befolgen Sie die Anleitungen auf der Maschine, bevor Sie versuchen, die Maschine zusammenzubauen oder zu bedienen.

	Sicherheitswarnung	Vorsichtsmaßnahmen, die Ihre Sicherheit betreffen.
	Lesen Sie die Bedienungsanleitung	Um das Verletzungsrisiko zu verringern, muss der Benutzer die Bedienungsanleitung vor der Benutzung des Gerätes gelesen und verstanden haben.
	Augenschutz tragen	Tragen Sie immer eine Schutzbrille, möglichst mit Seitenschutz, und einen Gesichtsschutz, wenn Sie das Gerät bedienen.
	Gehörschutz tragen	Tragen Sie immer einen Gehörschutz, wenn Sie das Gerät bedienen.
	Fadendurchmesser	Der Durchmesser des Nylonfadens
	Schnittbreite	Die max. Schnittbreite des Rasentrimmers
	Vor Regen schützen	Nicht im Regen verwenden oder bei Regen im Freien liegen lassen.
	Schutzklasse II	Doppelt isolierte Konstruktion
	Unbefugte Personen fernhalten	Stellen Sie bei Betrieb sicher, dass andere Personen und Haustiere mindestens 15m vom Rasentrimmer entfernt sind.
	Unbefugte Personen fernhalten	Stellen Sie bei Betrieb sicher, dass andere Personen und Haustiere mindestens 15m vom Rasentrimmer entfernt sind.
V	Volt	Spannung
A	Ampere	Stromstärke
Hz	Hertz	Frequenz
W	Watt	Leistung

min	Minuten	Zeit
~	Wechselstrom	Stromart
≡	Gleichstrom	Stromart oder Merkmal des Stroms
n_0	Leerlaufdrehzahl	Drehzahl im Leerlauf
.../min	pro Minute	Umdrehungen pro Minute

WICHTIGE SICHERHEITSHINWEISE

⚠️ WARNUNG: Beim Gebrauch von elektrischen Schneidegeräten sollten stets grundlegende Sicherheitsvorkehrungen beachtet werden, um das Risiko eines Brandes, Stromschlags und von Verletzungen zu reduzieren, darunter die folgenden:

AUFMERKSAM VOR DEM GEBRAUCH LESEN ZUM NACHSCHLAGEN AUFBEWAHREN

⚠️ VORSICHT: Verlassen Sie sich nicht auf die Isolierung des Werkzeugs gegen Stromschlag. Zur Vermeidung des Stromschlagrisikos darf das Gerät nicht in unmittelbarer Nähe von Leitungen oder Kabeln (Strom etc.) eingesetzt werden, die Strom führen.

⚠️ VORSICHT: Tragen Sie während des Gebrauchs einen angemessenen Gehörschutz. Unter bestimmten Bedingungen und bei längerem Gebrauch kann der Lärm, den dieses Gerät erzeugt, zum Hörverlust beitragen.

SCHULUNG

- Lesen Sie die Anweisungen aufmerksam. Machen Sie sich mit den Bedienelementen und der richtigen Handhabung des Gerätes vertraut.
- Lassen sie niemals Personen, die mit diesen Anleitungen nicht vertraut sind, oder Kinder das Gerät benutzen. Örtliche Bestimmungen können das Alter des Benutzers einschränken.
- Lassen sie niemals Personen, die mit diesen Anleitungen nicht vertraut sind, oder Kinder das Gerät benutzen. Örtliche Bestimmungen können das Alter des Benutzers einschränken.

VORBEREITUNG

- Benutzen Sie die Maschine niemals, wenn sich Personen, insbesondere Kinder, oder Haustiere in der Nähe befinden.
- Tragen Sie immer einen Augenschutz und robustes Schuhwerk, während Sie das Gerät benutzen.

BEDIENUNG

- Benutzen Sie die Maschine nur bei Tageslicht oder unter gutem künstlichen Licht.
- Bedienen Sie das Gerät auf keinen Fall mit beschädigten Schutzvorrichtungen oder Abdeckungen oder ohne Schutzvorrichtungen oder Abdeckungen.
- Schalten Sie den Motor nur ein, wenn Hände und Füße nicht in der Nähe der Schneidwerkzeuge sind.
- Trennen Sie das Gerät immer von der Stromversorgung (d.h., ziehen Sie den Netzstecker aus der Steckdose oder entfernen Sie die Deaktivierungsvorrichtung).
 - wann immer Sie das Gerät unbeaufsichtigt lassen;
 - bevor sie eine Sicherung entfernen;
 - bevor sie am Gerät arbeiten, dieses säubern oder kontrollieren;
 - nachdem Sie einen Fremdkörper getroffen haben;
 - wann immer das Gerät beginnt, ungewöhnlich zu vibrieren.
- Schützen Sie sich vor Verletzungen an Händen und Füßen durch das Schnittgut.
- Stellen sie immer sicher, dass die Lüftungsöffnungen frei von Schmutz bleiben.

WARTUNG UND LAGERUNG

- Trennen Sie das Gerät von der Stromversorgung (d.h., ziehen Sie den Netzstecker aus der Steckdose oder entfernen Sie die Deaktivierungsvorrichtung), bevor Sie das Gerät warten oder säubern.
- Verwenden sie nur vom Hersteller Original Ersatzteile und Zubehör.
- Prüfen und warten Sie das Gerät regelmäßig. Lassen Sie das Gerät nur von einer autorisierten Servicewerkstatt reparieren.
- Wenn das Gerät nicht benutzt wird, lagern Sie es außer Reichweite von Kindern.

SONSTIGE SICHERHEITSHINWEISE

- Vermeiden Sie gefährliche Umgebungen – Benutzen Sie den Rasentrimmer nicht an feuchten oder nassen Stellen.
- Schalten Sie den Fadenmäher immer aus oder entfernen Sie den Akku, wenn Sie das Gerät unbeaufsichtigt lassen.
- Benutzen Sie das Gerät nicht im Regen.
- Halten sie Kinder fern – Anwesende Personen sollten auf Abstand zum Arbeitsbereich gehalten werden.

- Tragen Sie geeignete Kleidung – Tragen Sie keine weite Kleidung oder Schmuck. Diese können sich in den beweglichen Teilen verfangen. Bei Arbeiten im Freien werden Gummihandschuhe und festes Schuhwerk empfohlen. Tragen Sie eine Schutzhaube, um lange Haare zurückzuhalten.
- Tragen Sie eine Schutzbrille – Tragen Sie stets eine Gesichts- oder Staubmaske, wenn die Arbeit staubig ist.
- Verwenden Sie das richtige Werkzeug – Verwenden Sie das Werkzeug zu keinem anderen Zweck als den, für den es vorgesehen ist.
- Üben Sie keinen Druck auf den Fadenmäher aus - Er wird besser und mit geringerem Verletzungsrisiko funktionieren, wenn er im Rahmen des Wirkungsgrades benutzt wird, für den er entwickelt wurde.
- Strecken Sie sich nicht zu weit vor – Achten Sie stets auf einen festen Stand und halten Sie das Gleichgewicht.
- Bleiben Sie wachsam – Achten Sie auf das, was Sie tun. Seien Sie vernünftig. Benutzen Sie den Fadenmäher nicht, wenn Sie müde sind.
- Benutzen Sie den Fadenmäher nicht, wenn Sie unter dem Einfluss von Alkohol oder Drogen stehen.
- Lassen Sie die Schutzabdeckungen an ihrem Platz und halten Sie diese in gutem Zustand.
- Lagern Sie den Fadenmäher drinnen – Wenn der Fadenmäher nicht benutzt wird, sollte der Akku entfernt werden und das Gerät drinnen an einem trockenen und hohen oder abgeschlossenen Platz aufbewahrt werden - außer Reichweite von Kindern.
- Warten Sie den Fadenmäher sorgfältig – Halten Sie das Schneidwerkzeug sauber, um die beste Leistung zu erzielen und die Verletzungsgefahr zu reduzieren. Folgen Sie den Anleitungen zum Auswechseln des Zubehörs. Halten Sie die Griffe trocken, sauber und frei von Öl oder Fett.
- Untersuchen Sie beschädigte Teile – Bevor Sie den Fadenmäher weiter benutzen, muss eine Schutzabdeckung oder ein anderes Teil, das beschädigt ist, sorgfältig untersucht werden, um zu bestimmen, ob es ordnungsgemäß funktionieren und seine bestimmungsgemäße Aufgabe erfüllen wird. Achten Sie auf die Ausrichtung oder Behinderung beweglicher Teile, auf Bruchstellen, Befestigungen und alle anderen Umstände, die die Funktion des Gerätes beeinträchtigen könnten. Eine Schutzabdeckung oder ein anderes Teil, das beschädigt ist, sollte von einer autorisierten Servicewerkstatt sachgemäß repariert oder ersetzt werden, sofern es nicht anders in dieser Bedienungsanleitung angegeben ist.
- Räumen Sie den Arbeitsbereich vor jedem Gebrauch auf. Entfernen Sie alle Objekte, wie z. B. Steine, zerbrochenes Glas, Nägel, Kabel oder Fäden, die durch die Maschine herumgeschleudert oder sich im Schneidwerkzeug verfangen könnten. Stellen Sie sicher, dass Sie einen Abstand von mindestens 15m zu anderen Personen und Haustiere halten.
- Prüfen Sie die Maschine vor dem Gebrauch und nach jedem Stoß auf Anzeichen von Verschleiß oder Beschädigungen und reparieren Sie den Schaden, sofern erforderlich.
- Halten Sie den Fadenmäher stets mit beiden Händen an den Griffen fest, wenn Sie die Maschine benutzen. Umfassen Sie mit Ihren Fingern und den Daumen die Griffe.
- Vermeiden Sie versehentliches Starten – Tragen Sie den Fadenmäher nicht mit Ihrem Finger am Auslöser.
- Benutzen Sie den Fadenmäher nicht in explosionsgefährlichen Bereichen oder dort, wo Benzin gelagert wird. Motoren in diesen Geräten sprühen normalerweise Funken und die Funken können Dämpfe entzünden
- Schäden am Fadenmäher – Wenn Sie mit dem Fadenmäher einen Fremdkörper treffen oder er verfängt sich, halten Sie das Werkzeug sofort an, entfernen Sie den Akku aus dem Fadenmäher, prüfen Sie ihn auf Beschädigungen und lassen Sie eventuelle Beschädigungen reparieren, bevor Sie den Betrieb fortsetzen. Benutzen Sie die Maschine nicht mit einer defekten Schutzabdeckung oder Spule.
- Falls das Gerät ungewöhnlich zu vibrieren beginnt, schalten Sie den Motor aus, entfernen Sie den Akku aus dem Fadenmäher und suchen Sie sofort nach der Ursache. Vibrationen weisen im Allgemeinen auf Probleme hin. Ein gelockerter Kopf kann vibrieren, zerspringen, brechen oder sich vom Fadenmäher lösen, wodurch schwere oder tödliche Verletzungen verursacht werden können. Stellen Sie sicher, dass das Schneidwerkzeug korrekt an seinem Platz befestigt ist. Falls sich der Kopf löst, nachdem er an seinem Platz befestigt wurde, ersetzen Sie ihn bitte sofort. Verwenden Sie niemals einen Fadenmäher mit locker sitzendem Schneidwerkzeug.
- Ersetzen Sie einen gerissenen, beschädigten oder abgenutzten Mähkopf sofort, selbst wenn die Beschädigung sich lediglich auf oberflächliche Risse beschränkt. Diese Art Werkzeug kann bei hoher Drehzahl zerspringen und schwere oder tödliche Verletzungen verursachen.
- Überprüfen Sie das Schneidwerkzeug in regelmäßigen Abständen während des Betriebs oder sofort, wenn Sie eine Veränderung im Schnittverhalten bemerken.

- Benutzen Sie nur von EGO™ zugelassenes Polymer-Mähfadenzubehör (Ø2,0 mm) und Mähfäden, die für die Benutzung mit diesem Werkzeug entwickelt sind. Selbst wenn bestimmte nicht zugelassene Werkzeuge an dem EGO™ Fadenmäher befestigt werden können, kann ihre Verwendung äußerst gefährlich sein und/ oder die Werkzeuge beschädigen.
- Um die Gefahr schwerer Verletzungen zu reduzieren, verwenden Sie niemals Draht oder mit Metall verstärkten Fäden oder anderes Material anstatt der Nylon- Mähfäden. Drahtstücke könnte abbrechen und mit hoher Geschwindigkeit in Richtung des Benutzers oder Umstehender geschleudert werden
- Um das Verletzungsrisiko durch Kontrollverlust zu reduzieren, arbeiten Sie nie auf einer Leiter oder einer anderen unsicheren Unterlage stehend. Halten Sie den Schneidaufsatz niemals über Taillenhöhe.
- Falls Situationen auftreten, die nicht in dieser Bedienungsanleitung behandelt werden, gehen Sie vorsichtig und vernünftig vor. Kontaktieren Sie das EGO- Servicezentrum für eine Reparatur.
- Laden Sie den Akkusatz nicht im Regen oder an nassen Orten auf.
- Verwenden Sie nur die Akkusätze und Ladegeräte, die hier aufgelistet sind.

AKKU	LADEGERÄT
BA1120E, BA2240E, BA2800, BA3360, BA4200	CH5500E, CH2100E

- Der Akkusatz muss aus dem Gerät entfernt werden, wenn es ausrangiert wird.
- Der Akku muss sicher entsorgt werden.
- Werfen Sie den Akku nicht ins Feuer. Die Zellen können explodieren. Ziehen Sie die örtlichen Vorschriften zurate, um mehr über mögliche Sondervorschriften der Entsorgung zu erfahren.
- Öffnen oder zerstören Sie den Akku nicht. Auslaufender Elektrolyt ist ätzend und kann die Augen oder Haut schädigen. Es kann bei Verschlucken giftig sein.
- Lassen Sie beim Umgang mit dem Akku Vorsicht walten, um den Akku nicht mit leitenden Materialien wie Ringen, Armbändern und Schlüsseln kurzzuschließen. Der Akku oder der Leiter können sich überhitzen und Verbrennungen verursachen.
- Verwenden Sie für die Wartung nur identische EGO Ersatzteile. Die Verwendung anderer Zubehöerteile oder Werkzeuge kann die Verletzungsgefahr erhöhen.

- Akkwerkzeuge müssen nicht mit einer Steckdose verbunden werden; daher sind sie stets einsatzbereit. Seien Sie sich möglicher Gefahren bewusst, selbst wenn das Werkzeug nicht eingeschaltet ist. Lassen Sie bei Wartungsarbeiten oder Reparaturen Vorsicht walten.
- Waschen Sie das Gerät nicht mit dem Wasserschlauch; lassen Sie kein Wasser in den Motor und die elektrischen Verbindungen gelangen.
- Heben Sie diese Anleitung auf. Schlagen Sie gegebenenfalls darin nach und verwenden Sie sie, um Andere in die Verwendung des Gerätes einzuweisen. Wenn Sie das Gerät an Andere verleihen, dann verleihen Sie auch diese Anleitung, um der falschen Handhabung und damit möglichen Verletzungen vorzubeugen.
- Tragen Sie immer robustes Schuhwerk und lange Hosen, wenn Sie das Gerät benutzen.
- Achten Sie stets auf einen sicheren Stand an Hängen. Gehen Sie, laufen Sie niemals beim Betrieb des Gerätes.

HEBEN SIE DIESE ANLEITUNG AUF!

TECHNISCHE DATEN

Spannung		56 V ---
Leerlaufdrehzahl		7000 /min
Schneidmechanismus		Fadenkopf
Fadendurchmesser		AL0800 Nylon-rundfaden, Ø2,0 mm
Schnittbreite		30 cm
Gewicht (ohne Akku)		2,85 kg
Gemessener Schallleistungspegel L_{WA}		90,76 dB(A) K= 2,5 dB (A)
Schalldruckpegel am Ohr des Bedieners L_{PA}		75,0 dB (A) K= 2,5 dB (A)
Garantierter Schallleistungspegel L_{WA} (nach 2000/14/EG gemessen)		91 dB(A)
Vibration a_h	Hinterer Griff	3,279 m/s ² K=1,5 m/s ²
	Vorderer Griff	4,915 m/s ² K=1,5 m/s ²

- Der angegebene Schwingungs-Gesamtwert wurde in Übereinstimmung mit einer Standard-Testmethode gemessen und kann verwendet werden, um Werkzeuge miteinander zu vergleichen.

- Der angegebene Schwingungs-Gesamtwert kann auch als einleitende Feststellung der Belastung verwendet werden.

HINWEIS: Die beim Einsatz des Elektrowerkzeugs entstehenden Istvibrationen können von dem angegebenen Wert abweichen. Zum Schutz des Benutzers sollten Handschuhe und ein Gehörschutz während des Geräteinsatzes getragen werden.

PACKLISTE

TEILEBEZEICHNUNG	MENGE
Fadenmäher	1
Schutzabdeckung	1
Einheit des vorderen Haltegriffs	1
Sechskantschlüssel	1
Bedienungsanleitung	1

BESCHREIBUNG

AUFBAU (Abb. A)

- Auslöser
- Hinterer Griff
- Hebel zum Entriegeln
- Flexible Muffe
- Verstellbarer vorderer Haltegriff
- Schaft
- Fadenschutz
- Klopfer
- Fadenkopf (Schneidkopf)
- Fadenschutz
- Fadenmesser
- Ausstoßmechanismus
- Elektrische Kontakte
- Verschluss
- Akku-Freigabeknopf

MONTAGE

⚠️ WARNUNG: Wenn Teile beschädigt sind oder fehlen, darf das Gerät erst in Betrieb genommen werden, wenn alle Teile vollständig angebracht sind. Die Verwendung des Geräts mit beschädigten oder fehlenden Teilen kann zu schweren Verletzungen führen.

⚠️ WARNUNG: Versuchen Sie nicht, dieses Produkt zu verändern oder Zubehörteile zu verwenden, die für den Einsatz des Rasentrimmers nicht empfohlen werden. Derartige Änderungen oder Umbauten stellen eine Zweckentfremdung dar und können gefährliche Arbeitsbedingungen hervorrufen, bei denen eine schwere Verletzungsgefahr besteht.

⚠️ WARNUNG: Um einen unbeabsichtigten Geräteanlauf bei der Montage von Teilen zu verhindern, muss der Akku vom Gerät abgenommen werden, andernfalls besteht schwere Verletzungsgefahr.

MONTIEREN DES FADENSCHUTZES (Abb. B & C & D)

⚠️ WARNUNG: Tragen Sie beim Anbringen oder Auswechseln des Fadenschutzes immer Handschuhe.. Achten Sie auf das Messer am Fadenschutz und passen Sie auf, dass Sie sich nicht schneiden.

⚠️ WARNUNG: Setzen Sie das Werkzeug nur in Betrieb, wenn der Fadenschutz fest angebracht ist. Der Fadenschutz muss zum dauerhaften Schutz des Benutzers immer am Werkzeug befestigt sein! Wenn der Fadenschutz montiert ist, darf er weder entfernt noch justiert werden. Falls dieser ersetzt werden muss, wenden Sie sich an eine qualifizierte Werkstatt!

Drehen Sie den Schneidkopf nach oben und montieren Sie die beiden Schrauben ab. Lassen Sie die Führungsrippen mit den Gehäuseaussparungen fluchten, setzen Sie den Fadenschutz in Einbaulage ein und schrauben Sie ihn mit den beiden Schrauben fest. Achten Sie darauf, dass die Innenfläche des Fadenschutzes in Richtung Trimmerkopf zeigt.

MONTIEREN DES VORDEREN HALTEGRIFFS

Montieren Sie den vorderen Haltegriff am Schaft (Abb. F). Führen Sie die Klemmvorrichtung dann in die Griffmulde (Abb. G) ein, montieren Sie den Schnellverschluss und sichern Sie ihn mit der Flügelmutter (Abb. H). Die Reihenfolge wird in Abb. E gezeigt. Zum Schluss können Sie die Position des vorderen Haltegriffs so einstellen, dass Ihr Unterarm beim Einsatz des Trimmers gerade ausgestreckt ist (Abb. I). Legen Sie dann den Hebel des Schnellverschlusses um (Abb. J).

Teilebeschreibung zu Abb. E & I, siehe unten:

E-1	Vorderer Haltegriff	E-4	Flügelmutter
E-2	Schnellverschluss	I-1	Flexible Muffe
E-3	Klemmvorrichtung	I-2	Warnschild

HINWEIS: Der vordere Haltegriff sollte nach oben zur Griffoberseite gedreht werden.

⚠️ WARNUNG: Befestigen Sie den vorderen Haltegriff nur vor der flexiblen Muffe am Schaft.

⚠️ WARNUNG: Ohne fest montierten vorderen Haltegriff darf das Werkzeug nicht verwendet werden.

BEDIENUNG

⚠️ WARNUNG: Vermeiden Sie es, dass die Vertrautheit mit dem Produkt zu Nachlässigkeit führt. Denken Sie daran, dass ein kurzer Moment der Unachtsamkeit zu ernsthaften Verletzungen führen kann.

⚠️ WARNUNG: Tragen Sie immer einen Augenschutz mit Seitenschutz sowie einen Hörschutz. Wenn Sie das unterlassen, kann es dazu kommen, dass Objekte in Ihre Augen geschleudert werden oder dass Ihnen andere mögliche ernsthafte Verletzungen zugefügt werden.

⚠️ WARNUNG: Verwenden Sie keine Aufsätze oder Zubehörteile, die nicht vom Hersteller dieses Produkts empfohlen worden sind. Die Verwendung von anderen und nicht empfohlenen Aufsätzen oder Zubehörteilen kann zu ernsthaften Verletzungen führen.

⚠️ WARNUNG: Verwenden Sie Ihren Fadenmäher mit dem passenden Mähfaden ausgestattet nur zum Schneiden von Gras und ähnlichem Material.

⚠️ WARNUNG: Um einen unbeabsichtigten Geräteanlauf bei der Montage von Teilen, bei Einstellarbeiten, beim Reinigen oder bei Nichtgebrauch zu verhindern, muss der Akku vom Gerät abgenommen werden. Andernfalls besteht schwere Verletzungsgefahr.

Sie können dieses Produkt für die unten aufgeführten Zwecke einsetzen:

Trimmen: Zum Kürzen von Gras und Gräsern, die an Wänden, Zäunen, Bäumen und Kanten wachsen.

Schneiden: Zum Abschneiden von Gras, das sich mit einem normalen Rasenmäher schlecht erreichen lässt.

HINWEIS: Das Werkzeug darf nur für den dafür vorgesehenen Zweck eingesetzt werden. Jeder andere Geräteeinsatz wie z.B. das Schneiden von Hecken gilt als Zweckentfremdung.

ANBRINGEN/ABNEHMEN DES AKKUS

Laden Sie den Akku vor dem ersten Gebrauch voll auf.

Anbringen (Abb. K)

Lassen Sie die Rippen am Akkugehäuse mit den Öffnungen am Gerät fluchten und schieben Sie den Akku bis zum hörbaren Einrasten in das Gerät.

Abnehmen (Abb. L)

⚠️ WARNUNG: Achten Sie immer auf Ihre Füße und Kinder oder Tiere in Ihrer Nähe, wenn Sie den Akku-Freigabeknopf betätigen. Das Fallenlassen des Akkusatzes kann zu ernsthaften Verletzungen führen. Entfernen Sie den Akku NIEMALS an einer hohen Position.

Drücken Sie den Akku-Freigabeknopf und ziehen Sie den Akku heraus.

HALTEN DES FADENMÄHERS

⚠️ WARNUNG: Tragen Sie geeignete Kleidung, um das Verletzungsrisiko bei der Benutzung des Werkzeugs zu reduzieren. Tragen Sie keine weite Kleidung oder Schmuck. Tragen Sie einen Augen- und Gehörschutz. Tragen Sie robuste lange Hosen, Stiefel und Handschuhe. Tragen Sie keine kurze Hose, Sandalen oder gehen Sie barfuß.

Halten Sie den Trimmer vor dem Einschalten fest in beiden Händen. Eine Hand hält den hinteren Griff und die andere den vorderen Haltegriff ganz fest (Abb. M). Sorgen Sie anschließend für einen festen Stand im Gleichgewicht und einen angemessenen Sicherheitsabstand beim Schneiden.

EIN-/AUSSCHALTEN DES RASENTRIMMERS

Einschalten

Drücken Sie den Hebel zum Entriegeln und halten Sie ihn gedrückt. Drücken Sie den Auslöser nach unten, um den Rasentrimmer einzuschalten.

Ausschalten

Lassen Sie den Entriegelungshebel und den Auslöser los.

⚠️ WARNUNG: Bei Arbeitspausen und nach Abschluss der Arbeit immer den Akku aus dem Rasentrimmer nehmen.

BENUTZUNG DES FADENMÄHERS

⚠️ WARNUNG: Um schwere persönliche Verletzungen zu vermeiden, tragen Sie eine Schutzbrille oder Sicherheitsbrille, während Sie das Gerät bedienen. Tragen Sie eine Gesichts- oder Staubmaske in staubigen Bereichen.

Räumen Sie den Arbeitsbereich vor jedem Einsatz auf. Entfernen Sie alle Objekte, wie z.B. Steine, zerbrochenes Glas, Nägel, Drähte oder Fäden, die aus dem Gerät herausgeschleudert werden oder sich in der Schneidvorrichtung verfangen könnten. Halten Sie den Bereich von Kindern, Passanten und Haustieren frei. Halten Sie einen Mindestabstand von 15m zu allen Kindern, Passanten und Haustieren ein; es besteht noch Gefahr durch umhergeschleuderte Gegenstände. Schaulustige sollten gebeten werden, Schutzbrillen aufzusetzen. Wenn jemand auf Sie zukommt, stellen Sie den Motor und das Schneidwerkzeug sofort ab.

Prüfen Sie vor jedem Gebrauch auf Schäden/ abgenutzte Teile

Prüfen Sie den Fadenkopf, die Schutzabdeckung und den vorderen Haltegriff und ersetzen Sie die Teile, die in irgendeiner Weise gesprungen, verzogen, verbogen oder beschädigt sind.

Die Messerklinge am Rand der Schutzabdeckung kann im Laufe der Zeit stumpf werden. Es wird empfohlen, dass Sie die Klinge regelmäßig mit einer Feile schärfen oder gegen eine neue austauschen.

⚠️ WARNUNG: Tragen Sie immer Handschuhe, wenn Sie den Fadenschutz montieren oder das Messer nachschleifen bzw. auswechseln. Achten Sie auf das Messer am Fadenschutz und passen Sie auf, dass Sie sich nicht schneiden.

Reinigen Sie den Rasentrimmer nach jedem Gebrauch.

- Verwenden Sie nur milde Seife und ein feuchtes Tuch zum Reinigen des Gerätes. Lassen Sie niemals Flüssigkeiten in das Werkzeug gelangen; tauchen Sie niemals einen Teil des Werkzeugs in Flüssigkeit.
- Halten Sie die Lüftungsschlitze im Motorgehäuse und Stiel immer frei von Ablagerungen (Abb. O).

Beschreibung zu Abb. O, siehe unten:

0-1	Lüftungsschlitze im Schaft
0-2	Lüftungsschlitze am Motorgehäuse

⚠️ VORSICHT: Verstopfte Lüftungsschlitze verhindern, dass die Luft in das Motorgehäuse strömen kann, was zum Überhitzen oder Beschädigungen am Motor führen kann.

⚠️ WARNUNG: Verwenden Sie niemals Wasser, um Ihren Fadenmäher zu reinigen. Verwenden Sie keine Lösungsmittel zum Reinigen der Kunststoffteile. Die meisten Kunststoffe können durch verschiedene Arten von handelsüblichen Lösungsmitteln beschädigt werden. Nehmen Sie einen sauberen Lappen, um Schmutz, Staub, Öl, Fett usw. zu entfernen.

ANPASSEN DER MÄHFADENLÄNGE

Der Fadenkopf ermöglicht dem Benutzer, den Mähfaden zu verlängern, ohne den Motor anzuhalten. Wenn der Faden ausgefranst oder abgenutzt ist, kann mehr Faden freigegeben werden, indem Sie den Auftippknopf auf den Boden klopfen, während Sie den Fadenmäher benutzen (Abb. P).

Um das beste Ergebnis zu erzielen, klopfen Sie den Auftippknopf auf den unbewachsenen Boden oder harte Erde. Wenn Sie versuchen, den Faden in hohem Gras zu verlängern, kann sich der Motor überhitzen. Achten Sie darauf, dass der Mähfaden stets voll ausgezogen ist. Die Freigabe des Fadens wird umso schwerer, je kürzer der Mähfaden wird.

⚠️ WARNUNG: Entfernen oder ändern Sie die Mähfaden-Einheit nicht. Überschüssige Fadenlänge führt dazu, dass sich der Motor überhitzt, und kann zu schweren persönlichen Verletzungen führen.

ARBEITEN MIT DEM FADENSCHUTZ

Der Fadenschutz kann den Schnittbereich des Mähfadens begrenzen und die Gefahr von Beschädigungen durch den rotierenden Mähfaden verringern (Abb. Q).

Um den Fadenschutz zu nutzen, klappen Sie ihn aus seiner Aufbewahrungsstellung herunter (Abb. R)

⚠️ WARNUNG: Der Fadenkopf kann auch noch kurze Zeit, nachdem Sie den Fadenmäher ausgeschaltet haben, weiter rotieren. Warten Sie, bis der Fadenkopf komplett stillsteht, bevor Sie die Position des Fadenschutzes anpassen. Passen Sie seine Position nicht mit dem Fuß an.

AUSWECHSELN DES FADENS

HINWEIS: Verwenden Sie nur herkömmliche Nylonfäden mit einem Durchmesser von höchstens $\varnothing 2,0$ mm.

⚠️ WARNUNG: Verwenden Sie niemals mit Draht oder Metall verstärkte Fäden o.ä. Diese können abbrechen und zu gefährlichen Geschossen werden.

Es gibt zwei Methoden zum Auswechseln des Mähfadens:

1. Wickeln Sie neuen Faden auf die Spule auf.
2. Legen Sie eine bereits aufgewickelte Spule ein. (AS1301, im Fachhandel ggf. erhältlich).

Neuen Faden auf die Spule aufwickeln

Drücken Sie die Freigabelaschen am Spulenboden und ziehen Sie die Spulenhalterung heraus (Abb. S). Ziehen Sie ca. 7m neuen Faden heraus. Knicken Sie ihn und wickeln Sie ihn um die Spule, wie in Abb. T & U dargestellt. Führen Sie die Fadenenden danach durch die beiden gegenüber liegenden Kerben in der Spule hindurch (Abb. V). Setzen Sie die Spule in die Halterung ein und achten Sie darauf, dass die Kerben mit den Ösen in der Halterung fluchten (Abb. W). Lassen Sie schließlich die Aussparungen an der Halterung mit den Rastnasen am Spulenboden fluchten und schieben Sie die Halterung geradlinig nach unten, bis sie hörbar einrastet (Abb. X).

HINWEIS: Reinigen Sie die Spulenhalterung, die Spule und die Spulenbasis immer, bevor Sie den Mähkopf wieder zusammensetzen. Prüfen Sie die Spulenhalterung, die Spule und die Spulenbasis auf Abnutzung. Wechseln Sie abgenutzte Teile notfalls aus.

HINWEIS: Wenn der Faden falsch herum aufgewickelt wird, wird der Mähkopf nicht korrekt funktionieren.

Einsetzen einer bereits aufgewickelten Spule

Drücken Sie die Freigabelaschen am Spulenboden und ziehen Sie die Spulenhalterung heraus (Abb. S). Setzen Sie anschließend die fertig aufgewickelte Spule in die Halterung ein. Die Kerben müssen dabei mit den Ösen in der Halterung fluchten (Abb. W). Lassen Sie schließlich die Aussparungen an der Halterung mit den Rastnasen am Spulenboden fluchten und schieben Sie die Halterung geradlinig nach unten, bis sie hörbar einrastet (Abb. X).

Beschreibung zu Abb. W & X, siehe unten:

W-1	Kerbe	X-1	Rastnase
W-2	Öse	X-2	Aussparung

HINWEIS: Achten Sie darauf, dass die Laschen an der Spulenbasis einschnappen, sonst wird die Spule während des Betriebs herauspringen.

WARTUNG

⚠️ WARNUNG: Verwenden Sie für die Wartung nur identische Ersatzteile. Prüfen und warten Sie das Gerät regelmäßig. Um die Sicherheit und Zuverlässigkeit zu gewährleisten, sollten alle Reparaturen nur von qualifizierten Servicetechnikern durchgeführt werden.

⚠️ WARNUNG: Akkubetriebene Werkzeuge müssen nicht an eine Steckdose angeschlossen werden; sie sind daher immer einsatzbereit. Um schwere Verletzungen zu vermeiden, seien Sie beim Warten, Reparieren oder Auswechseln des Schneidaufsatzes oder anderer Aufsätze besonders vorsichtig und treffen Sie besondere Sicherheitsvorkehrungen.

⚠️ WARNUNG: Um schwere Verletzungen zu verhindern, entfernen Sie den Akku aus dem Werkzeug, bevor Sie das Gerät warten, reinigen, Aufsätze auswechseln oder Schnittgut aus dem Gerät entfernen.

REINIGEN DES GERÄTES

- Reinigen Sie das Gerät mithilfe eines feuchten Tuchs mit einem milden Reinigungsmittel.
- Verwenden Sie keine starken Reiniger auf dem Kunststoffgehäuse oder dem Griff. Sie können durch gewisse aromatische Öle, wie Pinie und Zitrone, sowie Lösungsmittel, wie z. B. Petroleum, beschädigt werden. Feuchtigkeit stellt zudem eine Stromschlaggefahr dar. Wischen Sie Feuchtigkeit mit einem weichen, trockenen Tuch ab.
- Reinigen Sie die Lüftungsschlitze am Motorgehäuse mit einer kleinen Bürste oder dem Luftstrom eines kleinen Staubsaugers.

AUFBEWAHREN DES GERÄTES

- Entfernen Sie den Akkusatz aus dem Fadenmäher, wenn er nicht benutzt wird.
- Reinigen Sie das Werkzeug gründlich, bevor Sie es verstauen.
- Lagern Sie das Gerät an einem trockenen, gut belüfteten Bereich, der sich abschließen lässt oder hoch gelegen ist, wo es außer Reichweite von Kindern ist. Lagern Sie das Gerät nicht auf oder neben Düngemitteln, Benzin oder Chemikalien.

Schützen Sie die Umwelt

DE



Entsorgen Sie elektronische Geräte, Ladegeräte und Batterien/Akkus nicht im Hausmüll!

Gemäß der europäischen Rechtsnorm 2012/19/EU müssen elektrische und elektronische Geräte, die nicht mehr benutzt werden, separat gesammelt werden. Dasselbe trifft gemäß der europäischen Rechtsnorm 2006/66/EC auch auf defekte oder verbrauchte Batterien/Akkus zu.

Wenn elektrische Geräte auf Deponien oder Schutthalden entsorgt werden, dann können gefährliche Substanzen ins Grundwasser sickern und in die Nahrungskette übergehen, was Ihre Gesundheit und Ihr Wohlbefinden beeinträchtigen kann.

EG-KONFORMITÄTSERKLÄRUNG



Wir, EGO EUROPE GMBH

Wahlwiesenstrasse 1, D-71711 Steinheim an der Murr
Deutschland

Erklären hiermit, dass der Artikel **56V lithium ionen kabelloser fadenmäher ST1210E**, mit den grundlegenden Sicherheits- und Gesundheitsanforderungen folgender Richtlinien übereinstimmt:

2006/42/EG, 2014/30/EU, 2011/65/EU, 2000/14/EG

Hinweise auf Normen und technische Spezifikationen:

EN 60335-1, EN 50636-2-91, EN 55014-1, EN 55014-2

Gemessener Schalleistungspegel: 90,76 dB(A)

Gewährleisteter Schalleistungspegel: 91 dB(A)

Die Beurteilung der Konformität gemäß Anhang VI erfolgt nach 2000/14/EG.

Benannte Stelle: Société Nationale de Certification et d'Homologation

Kennziffer der benannten Stelle: 0499

Peter Melrose
Geschäftsführer der EGO
Europe GmbH

Dong Jianxun
Qualitätsmanager Chervon

* (Verantwortlicher Vertreter von CHERVON und technischer Dokumentationsverantwortlicher)

01/09/2016

FEHLERBEHEBUNG

PROBLEM	URSACHE	LÖSUNG
Rasentrimmer lässt sich nicht starten.	<ul style="list-style-type: none"> ■ Der Akkusatz ist nicht in den Fadenmäher eingesetzt. ■ Kein elektrischer Kontakt zwischen Fadenmäher und Akku. ■ Der Akku ist leer. 	<ul style="list-style-type: none"> ■ Befestigen Sie den Akkusatz am Fadenmäher. ■ Entnehmen Sie den Akku, überprüfen Sie die Kontakte und setzen Sie ihn wieder ein. ■ Laden Sie den Akkusatz auf. ■ Halten Sie den Hebel zum Entriegeln gedrückt und drücken Sie dann den Auslöser, um den Fadenmäher einzuschalten.
Fadenmäher stoppt während des Mähens.	<ul style="list-style-type: none"> ■ Die Schutzabdeckung ist nicht am Fadenmäher montiert, was einen zu langen Faden und Motorüberlastung zu Folge hat. ■ Es wird ein schwerer Mähfaden verwendet. ■ Die Motorwelle oder der Mähkopf wird durch Gras blockiert. ■ Der Motor ist überlastet. ■ Der Akkusatz oder der Fadenmäher ist zu heiß. ■ Der Akkusatz ist nicht mit dem Werkzeug verbunden. ■ Der Akkusatz ist leer. 	<ul style="list-style-type: none"> ■ Entfernen Sie die Schutzabdeckung am Fadenmäher. ■ Verwenden Sie nur Mähfaden aus Nylon mit einem Durchmesser von 2,0 mm oder kleiner. ■ Halten Sie den Fadenmäher an, entfernen Sie das Gras von der Motorwelle und Mähkopf. ■ Nehmen Sie den Mähkopf vom Rasen. Der Motor ist wieder einsatzbereit, sobald die Last entfernt wurde. Bewegen Sie beim Schneiden den Mähkopf in und aus dem Gras heraus und entfernen Sie nicht mehr als 20 cm Länge mit einem einzelnen Schnitt. ■ Lassen Sie den Akkusatz abkühlen, bis die Temperatur unter 67° C fällt. ■ Setzen Sie den Akkusatz wieder ein. ■ Laden Sie den Akkusatz auf.

PROBLEM	URSACHE	LÖSUNG
Mähkopf verlängert den Faden nicht.	<ul style="list-style-type: none"> ■ Die Motorwelle oder der Mähkopf wird durch Gras blockiert. ■ Es ist nicht mehr ausreichend Faden in der Spule vorhanden. ■ Der Mähkopf ist verschmutzt. ■ Der Faden hat sich auf der Spule verheddert. ■ Der Faden ist zu kurz. 	<ul style="list-style-type: none"> ■ Halten Sie den Fadenmäher an, entfernen Sie den Akku und entfernen Sie das Gras von der Motorwelle und Mähkopf. ■ Entfernen Sie den Akku und wechseln Sie den Mähfaden aus; folgen Sie hierzu dem Abschnitt „AUSWECHSELN DES FADENS“ in dieser Bedienungsanleitung. ■ Entfernen Sie den Akku und reinigen Sie die Spule, die Spulenhalterung und die Spulenbasis. ■ Entfernen Sie den Akku, nehmen Sie den Faden aus der Spule und wickeln Sie ihn wieder auf; folgen Sie hierzu dem Abschnitt „AUSWECHSELN DES FADENS“ in dieser Bedienungsanleitung. ■ Entfernen Sie den Akku und ziehen Sie die Fäden, während Sie abwechselnd den Auftippknopf drücken und loslassen.
Gras wickelt sich um den Mähkopf und das Motorgehäuse.	<ul style="list-style-type: none"> ■ Hohes Gras wird auf Bodenebene geschnitten. 	<ul style="list-style-type: none"> ■ Mähen Sie hohes Gras, indem Sie von oben nach unten mähen. Schneiden Sie dabei nicht mehr als 20 cm bei jedem Durchgang, um zu vermeiden, dass sich das Gras um das Gerät wickeln kann.
Faden schneidet nicht gut.	<ul style="list-style-type: none"> ■ Das Messer zum Abschneiden des Fadens am Rand der Schutzabdeckung ist stumpf geworden. 	<ul style="list-style-type: none"> ■ Schärfen Sie das Messer mit einer Feile oder wechseln Sie es durch eine neue Klinge aus.

GARANTIE

EGO GEWÄHRLEISTUNGSRICHTLINIE

Bitte besuchen Sie unsere website egopowerplus.com mit den kompletten EGO Garantiebedingungen.

LISEZ TOUTES LES INSTRUCTIONS !



LISEZ ET COMPRENEZ LES INSTRUCTIONS DU MANUEL D'UTILISATION

⚠ Risques résiduels ! Les personnes portant des appareils électroniques, par exemple des stimulateurs cardiaques, doivent consulter leur(s) médecin(s) avant d'utiliser ce produit. L'utilisation d'un équipement électrique près d'un stimulateur cardiaque peut provoquer des interférences ou la panne du stimulateur cardiaque.

⚠ AVERTISSEMENT : Pour garantir la sécurité et la fiabilité, toutes les réparations et tous les changements de pièce doivent être effectués par un réparateur qualifié.

SYMBOLES DE SÉCURITÉ

L'objectif des symboles de sécurité est d'attirer votre attention sur des dangers potentiels. Les symboles de sécurité et les explications les accompagnant doivent être lus avec attention et compris. Les symboles de mise en garde ne permettent pas par eux-mêmes d'éliminer les dangers. Les consignes et mises en garde ne se substituent pas à des mesures de prévention appropriées des accidents.

⚠ AVERTISSEMENT : Avant d'utiliser cet outil, veuillez à lire et à comprendre toutes les consignes de sécurité du guide d'utilisation, notamment tous les symboles d'alerte de sécurité comme « DANGER », « AVERTISSEMENT » et « MISE EN GARDE ». Ne pas respecter toutes les consignes listées ci-après peut provoquer un choc électrique, un incendie et/ou des blessures corporelles graves.

SIGNIFICATION DES SYMBOLES

SYMBOLE DE MISE EN GARDE DE SÉCURITÉ :

Indique un DANGER, un AVERTISSEMENT ou une PRÉCAUTION. Peut être utilisé en conjonction d'autres symboles ou pictogrammes.



⚠ AVERTISSEMENT : L'utilisation d'un outil électrique peut provoquer la projection d'objets étrangers dans vos yeux, ce qui peut provoquer des lésions oculaires graves. Avant de mettre un outil électrique en marche, portez toujours un masque de sécurité ou des lunettes de sécurité avec boucliers latéraux, ou un masque facial intégral quand cela est

nécessaire. Nous vous recommandons de porter un Masque de Sécurité à Vision Panoramique par-dessus des lunettes de vue ou des lunettes de sécurité standards avec boucliers latéraux.

CONSIGNES DE SÉCURITÉ

Cette page décrit des symboles de sécurité pouvant être présents sur le produit. Lisez, comprenez et respectez toutes les instructions présentes sur l'outil avant d'essayer de l'assembler et de l'utiliser.

	Alerte de sécurité	Précautions concernant votre sécurité.
	Lire le manuel d'utilisation	Pour réduire le risque de blessures, l'utilisateur doit lire et comprendre le manuel d'utilisation avant d'utiliser ce produit.
	Porter une protection oculaire	Toujours porter un masque de sécurité ou des lunettes de sécurité avec boucliers latéraux et un masque facial intégral lors de l'utilisation de ce produit.
	Porter une protection auditive	Toujours porter une protection auditive pendant l'utilisation de ce produit.
	Diamètre du fil	Le diamètre du fil de coupe en nylon.
	Largeur de coupe	Largeur de coupe maximale du taille-bordure
	Ne pas exposer à la pluie	Ne pas utiliser sous la pluie et ne pas laisser dehors quand il pleut.
	Construction de classe II	Construction à double isolation.
	Maintenir les autres personnes éloignées	Veiller à ce que les autres personnes et les animaux restent éloignés d'au moins 15m du taille-bordure pendant son utilisation.
	Maintenir les autres personnes éloignées	Veiller à ce que les autres personnes et les animaux restent éloignés d'au moins 15m du taille-bordure pendant son utilisation.
V	Volt	Tension

A	Ampères	Courant
Hz	Hertz	Fréquence (cycles par seconde)
W	Watt	Puissance
min	Minutes	Durée
~	Courant alternatif	Type de courant
—	Courant continu	Type ou caractéristique du courant
n_0	Régime à vide	Vitesse de rotation sans charge
... /min	Par minute	Tours par minute

CONSIGNES DE SÉCURITÉ IMPORTANTES

⚠ AVERTISSEMENT : Lors de l'utilisation de taille-bordures, des précautions de sécurités élémentaires doivent toujours être respectées afin de réduire les risques d'incendie, de choc électrique et de blessure corporelle, parmi lesquelles :

LIRE ATTENTIVEMENT AVANT UTILISATION.

CONSERVER POUR CONSULTATION ULTÉRIEURE.

⚠ DANGER : Ne comptez pas uniquement sur l'isolation de l'outil pour vous protéger des chocs électriques. Pour réduire le risque d'électrocution, n'utilisez jamais l'outil à proximité de câble ou de fils (lignes électriques, etc.), car ils peuvent être parcourus par un courant électrique.

⚠ ATTENTION : Portez une protection auditive individuelle appropriée pendant l'utilisation. Dans certaines conditions et durées d'utilisation, le bruit généré par ce produit peut contribuer à une perte d'acuité auditive.

ENTRAÎNEMENT

- Lisez attentivement le manuel d'utilisation. Familiarisez-vous avec les commandes et l'utilisation correcte de l'outil.
- Ne laissez jamais des enfants ou des personnes non familiarisées avec les présentes instructions utiliser l'outil. Les réglementations locales peuvent définir un âge minimal pour l'opérateur.
- Gardez à l'esprit que l'utilisateur ou l'opérateur est responsable des accidents ou dangers causés à autrui ou à la propriété d'autrui.

PRÉPARATION

- N'utilisez jamais l'outil si des personnes, notamment des enfants, ou des animaux de compagnies sont à proximité.
- Portez en permanence des protections oculaires et des chaussures robustes pendant l'utilisation de l'outil.

UTILISATION

- Utilisez l'outil exclusivement à la lumière du jour ou sous une lumière artificielle suffisante.
- N'utilisez jamais l'outil si ses boucliers/dispositifs de protection ne sont pas assemblés ou sont endommagés.
- Mettez le moteur en marche uniquement quand vos mains et pieds sont éloignés des accessoires de coupe.
- Débranchez toujours l'outil de l'alimentation électrique (c.-à-d. débranchez sa fiche de la prise électrique ou enlevez le dispositif coupe-circuit)
 - Chaque fois que vous laissez l'outil sans surveillance.
 - Avant d'éliminer un bouchage.
 - Avant d'inspecter, de nettoyer ou de travailler sur l'outil.
 - Après avoir percuté un objet étranger.
 - Si l'outil se met à vibrer anormalement.
- Prenez garde à ce que vos pieds et vos mains ne soient pas blessés par les pièces de coupe.
- Veillez à ce que les ouïes de ventilation ne soient jamais bouchées par des débris.

ENTRETIEN ET STOCKAGE

- Débranchez l'outil de l'alimentation électrique (c'est-à-dire débranchez sa fiche de la prise électrique ou retirez le dispositif coupe-circuit) avant d'effectuer une opération d'entretien ou de nettoyage.
- Utilisez exclusivement les pièces et accessoires de rechange recommandés par le fabricant.
- Inspectez et entretenez l'outil régulièrement. Faites réparer l'outil exclusivement par un réparateur agréé.
- Rangez l'outil hors de portée des enfants quand vous ne l'utilisez pas.

CONSIGNES DE SÉCURITÉ COMPLÉMENTAIRES

- Évitez les environnements dangereux – N'utilisez pas les taille-bordures dans les endroits mouillés et détrempés.
- Éteignez toujours l'outil et retirez sa batterie avant de le laisser sans surveillance.
- N'utilisez pas l'outil sous la pluie.

- Maintenez les enfants éloignés – Tous les visiteurs doivent être maintenus éloignés de l'aire de travail.
- Soyez correctement vêtu – Ne portez pas de vêtement ample ni de bijou. Ils peuvent se prendre dans les pièces mobiles. Il est recommandé de porter des chaussures solides et des gants en caoutchouc lorsque le travail est effectué en extérieur. Portez un couvre-chef protecteur pour maintenir les cheveux longs.
- Portez des lunettes de sécurité – Utilisez toujours un masque antipoussière ou un masque facial si le travail génère des poussières.
- Utilisez l'outil approprié – N'utilisez pas l'outil à un travail autre que celui pour lequel il a été conçu.
- Ne forcez pas l'outil – L'outil effectuera un travail de meilleure qualité avec un risque de blessure moindre s'il est utilisé au rythme pour lequel il a été conçu.
- N'essayez pas d'atteindre des endroits difficiles à atteindre – Ayez toujours des appuis des pieds solides et conservez constamment un bon équilibre.
- Soyez toujours sur vos gardes – Regardez ce que vous êtes en train de faire. Faites preuve de bon sens. N'utilisez pas l'outil quand vous êtes fatigué.
- N'utilisez pas l'outil quand vous êtes sous l'influence de l'alcool ou de stupéfiants.
- Les dispositifs de protection doivent toujours être assemblés et en bon état de marche.
- Rangez le taille-bordure en intérieur – Quand l'outil n'est pas utilisé, il doit être rangé en intérieur dans un endroit en hauteur ou fermé à clé avec sa batterie retirée – hors de portée des enfants.
- Entretenez le taille-bordure avec soin – Veillez à ce que les accessoires de coupe restent propres afin d'optimiser les performances et de réduire le risque de blessures. Respectez les instructions de changement des accessoires. Veillez à ce que les poignées restent propres, sèches et exemptes d'huile et de graisse.
- Inspectez les pièces endommagées – Avant toute utilisation supplémentaire de l'outil, tout dispositif de protection ou toute autre pièce endommagée doit être minutieusement inspecté pour déterminer s'il fonctionnera normalement et pourra remplir la fonction pour laquelle il est prévu. Contrôlez l'outil pour vérifier qu'aucune pièce mobile n'est coincée ou mal alignée, qu'aucune pièce n'est cassée, et pour tout autre problème qui pourrait nuire à son fonctionnement. Si une protection ou une autre pièce est endommagée, elle doit être correctement réparée par un centre de réparation agréé, sauf indication contraire de ce manuel d'utilisation.
- Nettoyez la zone à couper avant chaque utilisation. Retirez tous les objets pouvant s'emmêler dans les accessoires de coupe ou être projetés, par exemple les pierres, les morceaux de verre, les clous, les fils métalliques, les ficelles. Veillez à ce que les autres personnes et les animaux restent éloignés d'au moins 15m.
- Avant chaque utilisation et après chaque impact, inspectez l'appareil pour vérifier qu'il n'est ni usé ni endommagé. Faites-le réparer si nécessaire.
- Tenez toujours l'outil fermement avec vos deux mains tenant ses poignées pendant l'utilisation. Enroulez vos doigts et votre pouce autour des poignées.
- Évitez les démarrages accidentels – Ne portez pas l'outil avec vos doigts sur son interrupteur marche/arrêt.
- N'utilisez pas l'outil dans les atmosphères explosives ni celles où il peut y avoir des vapeurs d'essence. Les moteurs de ces outils produisent des étincelles pouvant enflammer les vapeurs.
- Détérioration du taille-bordure – Si vous perceutez un objet étranger avec l'outil ou s'il s'emmêle dedans, éteignez l'outil immédiatement, retirez la batterie de l'outil, inspectez-le pour vérifier qu'il n'est pas endommagé et faites réparer toute détérioration avant d'essayer de réutiliser l'outil. N'utilisez pas l'outil avec un dispositif de protection ou une bobine cassé.
- Si l'outil commence à vibrer anormalement, éteignez son moteur, retirez la batterie de l'outil et inspectez immédiatement l'outil pour en trouver la cause. Les vibrations indiquent généralement qu'il y a un problème. Une tête desserrée peut vibrer, se fissurer, casser ou se désolidariser de l'outil, ce qui peut provoquer des blessures graves ou mortelles. Vérifiez que l'accessoire de coupe est correctement fixé en position. Si la tête se desserre après avoir été fixée en position, remplacez-la immédiatement. N'utilisez jamais l'outil avec un accessoire de coupe desserré.
- Remplacez immédiatement la tête de coupe si elle est fissurée, endommagée ou usée, même si la détérioration se limite à des fissures superficielles. De tels accessoires peuvent se briser à haute vitesse et provoquer des blessures graves ou mortelles.
- Inspectez l'accessoire de coupe à intervalles courts et réguliers pendant l'utilisation ou immédiatement si vous constatez un changement notable dans son comportement de coupe.
- Utilisez exclusivement des fils de coupe en polymère autorisés EGO™ et des fils (Ø2,0 mm) de coupe conçus pour être utilisés avec cet outil. Bien que certains accessoires autorisés puissent être assemblés sur le taille-bordure EGO™, leur utilisation peut être extrêmement dangereuse et/ou peut provoquer la détérioration de l'outil.

- Pour réduire le risque de blessures graves, n'utilisez jamais de fil métallique, de fil à renfort métallique, ni de fil constitué d'un matériau autre que du nylon. Utilisez exclusivement des fils de coupe en nylon. Des morceaux de fil pourraient se détacher et être projetés à haute vitesse vers l'opérateur et les autres personnes présentes.
- Pour réduire le risque de blessures dues à la perte de contrôle de l'outil, ne travaillez jamais sur une échelle ni sur aucun autre support non sûr. Ne positionnez jamais l'accessoire de coupe plus haut que votre taille.

- Si des situations non couvertes par ce manuel se produisent, faites preuve de prudence et de bon sens. Contactez le centre de réparation EGO pour lui demander conseil.
- Ne rechargez pas la batterie sous la pluie ni dans les endroits mouillés.
- Utilisez exclusivement les batteries et les chargeurs listés ci-dessous :

BATTERIE	CHARGEUR
BA1120E, BA2240E, BA2800, BA3360, BA4200	CH5500E, CH2100E

- La batterie doit être retirée de l'outil avant la mise au rebut.
- La batterie doit être mise au rebut d'une manière sûre.
- Ne jetez pas la batterie dans un feu pour vous en débarrasser. Les batteries/accumulateurs peuvent exploser. Consultez les réglementations locales pour savoir si elles comportent des dispositions spéciales de mise au rebut.
- N'ouvrez pas la batterie et ne la mutiliez pas. L'électrolyte sortant des batteries est corrosif et peut blesser les yeux et la peau. Il peut être toxique s'il est avalé.
- Faites attention lors de la manipulation des batteries pour éviter de les court-circuiter avec des matériaux conducteurs, par exemple des bagues, des bracelets ou des clés. La batterie ou le conducteur peut surchauffer et provoquer des brûlures.
- Les réparations ne doivent être effectuées qu'avec des pièces de rechange EGO™ identiques. L'utilisation de tout autre accessoire peut accroître le risque de blessure.
- Les outils alimentés par batterie n'ont pas à être branchés dans une prise électrique, ils sont donc toujours prêts à fonctionner. Prenez garde aux dangers potentiels même quand l'outil n'est pas en fonctionnement. Faites attention pendant l'entretien ou la réparation.
- Ne lavez pas l'outil avec un tuyau. Veillez à ce que de l'eau ne pénètre pas dans le moteur ni sur les connexions électriques.

- Conservez ce manuel d'utilisation. Consultez-le fréquemment et servez-vous-en pour instruire les autres personnes devant utiliser cet outil. Si vous prêtez cet outil à un tiers, prêtez-lui également ce manuel d'utilisation pour éviter l'utilisation incorrecte du produit et des blessures potentielles.
- Pendant l'utilisation de l'outil, portez toujours un pantalon long et des chaussures résistants.
- Soyez toujours sûr de vos appuis sur les pentes, et marchez, ne courez jamais.

CONSERVEZ CE MANUEL D'UTILISATION !

SPÉCIFICATIONS

Tension		56 V $\overline{\text{---}}$
Régime à vide		7000 /min
Mécanisme de coupe		Tête de frappe
Type de fil de coupe		Fil rond de nylon AL0800 Ø2,0 mm
Largeur de coupe		30 cm
Poids (sans la batterie)		2,85 kg
Niveau de puissance acoustique mesuré L_{WA}		90,76 dB(A) K=2,5 dB(A)
Niveau de pression acoustique au niveau des oreilles de l'opérateur L_{PA}		75,0 dB(A) K=2,5 dB(A)
Niveau de puissance acoustique garanti L_{WA} (conformément à la norme 2000/14/CE)		91 dB(A)
Vibration a_h	Poignée arrière	3,279 m/s ² K=1,5 m/s ²
	Poignée avant	4,915 m/s ² K=1,5 m/s ²

- La valeur totale des vibrations indiquée a été mesurée selon une procédure conforme à une méthode de test standardisée et peut servir pour comparer différents outils.
- La valeur totale des vibrations indiquée peut également servir pour effectuer une première évaluation de l'exposition.

REMARQUE : L'émission de vibrations pendant l'utilisation réelle de l'outil électrique est fonction de la manière dont il est utilisé et peut différer de la valeur indiquée. Pour se protéger, l'opérateur doit porter des gants et un casque antibruit dans les conditions actuelles d'utilisation.

CONTENU DE L'EMBALLAGE

NOM DE PIÈCE	QUANTITÉ
Taille-bordure	1
Capot de protection	1
Poignée auxiliaire avant	1
Clé 6 pans	1
Manuel d'utilisation	1

DESCRIPTION

DESCRIPTION DE VOTRE TAILLE-BORDURE (Image A)

1. Interrupteur-gâchette
2. Poignée arrière
3. Levier de déverrouillage
4. Manchon souple
5. Poignée auxiliaire avant réglable
6. Manche
7. Protection de butée
8. Bouton de frappe
9. Tête de frappe (Tête de coupe)
10. Capot de protection
11. Lame de coupe du fil
12. Mécanisme d'éjection
13. Contacts électriques
14. Loquet
15. Bouton de déblocage de la batterie

ASSEMBLAGE

⚠ AVERTISSEMENT : Si une pièce est manquante ou endommagée, n'utilisez pas cet outil tant qu'elle n'a pas été remplacée. Utiliser cet outil avec des pièces endommagées ou manquantes peut provoquer des blessures corporelles graves.

⚠ AVERTISSEMENT : N'essayez jamais de modifier l'outil ni de créer des accessoires non recommandés pour être utilisés avec ce taille-bordure. De tels modifications et changements constituent une utilisation impropre et peuvent engendrer des situations dangereuses

⚠ AVERTISSEMENT : Pour éviter un démarrage accidentel pouvant provoquer des blessures corporelles graves, retirez toujours la batterie de l'outil avant d'assembler une pièce.

ASSEMBLER LE CAPOT DE PROTECTION (Images B, C et D)

⚠ AVERTISSEMENT : Portez toujours des gants pour assembler ou remplacer le capot de protection. Prenez garde à la lame du capot de protection et protégez votre main pour éviter de vous couper.

⚠ AVERTISSEMENT : N'utilisez jamais l'outil sans son capot de protection solidement assemblé. Le capot de protection doit toujours être assemblé sur l'outil pour protéger l'utilisateur ! Une fois que le capot de protection a été fixé, n'essayez jamais de le démonter ou de le régler. S'il doit être remplacé, cela doit être fait par un réparateur qualifié !

Placez la tête de coupe vers le haut, desserrez et retirez les deux vis. Puis alignez les arêtes de guidage avec les rainures du boîtier, enfoncez le capot de protection en position et verrouillez-le avec les deux vis. Veillez à ce que la surface interne du capot de protection soit dirigée vers la tête de coupe.

ASSEMBLER ET RÉGLER LA POIGNÉE AUXILIAIRE AVANT

Enfoncez la poignée auxiliaire avant dans le manche (Image F), puis insérez le bloc de fixation dans la rainure de la poignée (Image G), assemblez le levier de verrouillage et bloquez-les avec l'écrou papillon (Image H). La séquence est montrée sur l'image E. Pour terminer, réglez la position de la poignée auxiliaire avant en sorte que votre bras avant soit tendu pendant l'utilisation du taille-bordure (Image I), puis verrouillez le levier de verrouillage (Image J).

Images E et I Description des pièces, voir ci-dessous :

E-1	Poignée auxiliaire avant	E-4	Écrou papillon
E-2	Levier de verrouillage	I-1	Manchon souple
E-3	Bloc de fixation	I-2	Marquage de mise en garde

REMARQUE : La poignée auxiliaire avant doit être tournée vers le haut et dirigée vers le haut de la poignée.

⚠ AVERTISSEMENT : Fixez la poignée auxiliaire avant exclusivement devant le manchon souple du manche.

⚠ AVERTISSEMENT : L'outil ne peut pas être utilisé sans la poignée auxiliaire avant solidement fixée.

UTILISATION

⚠ AVERTISSEMENT : Veillez à ne pas devenir moins prudent au fur et à mesure que vous vous familiarisez avec cet outil. Gardez à l'esprit qu'une seconde d'inattention peut suffire pour provoquer des blessures graves.

⚠ AVERTISSEMENT : Portez toujours une protection oculaire avec boucliers latéraux. Et portez toujours une protection auditive. Sans ce type de protection, des objets peuvent être projetés dans vos yeux et d'autres blessures graves peuvent se produire.

⚠ AVERTISSEMENT : N'utilisez aucun accessoire ou pièce non recommandé par le fabricant de ce produit. L'utilisation d'accessoires ou de pièces non recommandés peut provoquer de graves blessures corporelles.

⚠ AVERTISSEMENT : Utilisez votre taille-bordure équipé d'un fil de coupe approprié exclusivement pour couper de l'herbe et des matières similaires.

⚠ AVERTISSEMENT : Pour éviter un démarrage accidentel pouvant provoquer des blessures corporelles graves, retirez toujours la batterie de l'outil avant toute opération d'assemblage de pièce, de réglage ou de nettoyage et quand l'outil n'est pas utilisé.

Vous pouvez utiliser ce produit pour les usages listés ci-dessous :

Tailler : Pour couper le gazon et les mauvaises herbes près des murs, des barrières, des arbres et des bordures.

Couper : Pour couper le gazon difficile à atteindre avec une tondeuse classique.

REMARQUE : L'outil ne doit être utilisé qu'à la finalité spécifiée pour lui. Tout autre usage, par exemple tailler des haies, est considéré impropre.

INSÉRER/RETIRER LA BATTERIE

Rechargez complètement la batterie avant la première utilisation.

Insérer la batterie (Image K)

Alignez les arêtes de la batterie avec les rainures d'assemblage et appuyez la batterie vers le bas jusqu'à entendre un déclic.

Retirer la batterie (Image L)

⚠ AVERTISSEMENT : Faites toujours attention à vos pieds et aux enfants et animaux présents lorsque vous appuyez sur le bouton de déblocage de la batterie. Si la batterie tombe, cela peut provoquer des blessures graves. Ne retirez JAMAIS la batterie dans une position haute.

Appuyez sur le bouton de déblocage de la batterie et tirez la batterie hors de l'outil.

TENIR LA TAILLE-BORDURE

⚠ AVERTISSEMENT : Soyez correctement vêtu pour réduire le risque de blessures pendant l'utilisation de cet outil. Ne portez pas de vêtement ample ni de bijou. Portez des protections oculaires et auditives. Portez des gants, des bottes et des pantalons longs et résistants. Ne portez pas de shorts ni de sandales et ne soyez pas pieds nus.

Avant utilisation, saisissez la taille-bordure à deux mains, avec une main sur la poignée arrière et l'autre main sur la poignée auxiliaire avant dont le bras doit être tendu (Image M). Puis vérifiez que vous avez des appuis des pieds équilibrés et que vous êtes à une distance de coupe appropriée.

DÉMARRER ET ÉTEINDRE LA TAILLE-BORDURE (Image N)

Allumer l'outil

Appuyez sur le levier de déverrouillage et maintenez-le dans cette position. Appuyez sur l'interrupteur-gâchette pour allumer la taille-bordure.

Arrêter l'outil

Relâchez le levier de déverrouillage et l'interrupteur-gâchette.

⚠ AVERTISSEMENT : Retirez toujours la batterie du taille-bordure pendant les pauses durant le travail et après avoir terminé le travail.

UTILISER LA TAILLE-BORDURE

⚠ AVERTISSEMENT : Pour éviter des blessures corporelles graves, portez en permanence des lunettes de sécurité ou un masque pendant l'utilisation de cet outil. Portez un masque facial ou un masque à poussière dans les endroits poussiéreux.

Nettoyez la zone à couper avant chaque utilisation. Retirez tous les objets pouvant s'em mêler dans les accessoires de coupe ou être projetés, par exemple les pierres, les morceaux de verre, les clous, les fils métalliques, les ficelles. Veillez à ce qu'il n'y ait aucune autre personne, aucun enfant, ni aucun animal dans l'aire de travail. Veillez à ce que tous les enfants, toutes les autres personnes et tous les animaux soient toujours à plus de 15 mètres de l'outil en fonctionnement, car il y a un risque de projection d'objets. Il faut insister pour que les autres personnes présentes portent une protection oculaire. Si une personne s'approche de vous, éteignez immédiatement le moteur et l'accessoire de coupe.

Avant chaque utilisation, inspectez l'outil pour détecter des pièces usées ou endommagées

Inspectez la tête de frappe, le capot de protection, la poignée auxiliaire avant, et remplacez les pièces fissurées, voilées, tordues ou présentant une autre détérioration.

La lame de coupe du fil présente sur le bord du capot de protection s'use avec le temps. Il est recommandé de l'affûter régulièrement avec une lime ou de la remplacer par une lame neuve.

⚠ AVERTISSEMENT : Portez toujours des gants pour assembler le capot de protection ou affûter ou remplacer la lame. Prenez garde à la lame du capot de protection et protégez votre main pour éviter de vous couper.

Après chaque utilisation, nettoyez l'outil.

- Nettoyez l'outil exclusivement avec un chiffon humide et du savon doux. Veillez à ce qu'aucun liquide ne pénètre jamais dans l'outil. N'immergez jamais aucune partie de l'outil dans un liquide.
- Veillez à ce que les ouïes de ventilation du boîtier du moteur et du manche restent en permanence exemptes de débris (Image 0).

Image 0 Description des pièces, voir ci-dessous :

0-1	Ouïes de ventilation du manche
0-2	Ouïes de ventilation du boîtier du moteur

⚠ ATTENTION : Si les ouïes de ventilation sont bouchées, cela empêchera l'air de circuler dans le boîtier du moteur, ce qui peut provoquer la surchauffe et la détérioration du moteur.

⚠ AVERTISSEMENT : N'utilisez jamais d'eau pour nettoyer votre outil. N'utilisez pas de solvant pour nettoyer les pièces en plastique. La plupart des plastiques peuvent être détériorés par de nombreux types de solvants vendus dans le commerce. Utilisez des chiffons propres pour enlever les saletés, les poussières, l'huile, la graisse, etc.

RÉGLER LA LONGUEUR DU FIL DE COUPE

La tête de frappe permet à l'opérateur d'allonger le fil de coupe sans avoir à éteindre le moteur. Quand le fil de coupe devient usé ou effiloché, vous pouvez l'allonger en frappant légèrement le bouton de frappe sur le sol pendant que l'outil est en marche (Image P).

Pour des résultats optimaux, frappez le bouton de frappe sur un sol dur ou nu. Si vous essayez de rallonger le fil de coupe sur des herbes hautes, le moteur risque de surchauffer. Veillez à ce que le fil de coupe soit toujours à la longueur maximale. Plus le fil de coupe devient court, plus il est difficile de l'allonger.

⚠ AVERTISSEMENT : Ne retirez pas et ne modifiez pas l'assemblage de la lame de coupe du fil. Si la longueur du fil de coupe est excessive, cela peut provoquer la surchauffe du moteur et des blessures corporelles graves.

TRAVAILLER AVEC LA PROTECTION DE BUTÉE

La protection de butée permet de limiter le rayon de coupe du fil de coupe et de réduire le risque que le fil de coupe rotatif ne provoque des dégâts (Image Q).

Pour utiliser la protection de butée, faites-la pivoter vers le bas depuis sa position de rangement (Image R).

⚠ AVERTISSEMENT : La tête de frappe peut rester brièvement en rotation après que vous ayez éteint le taille-bordure. Attendez que la tête de frappe se soit complètement arrêtée avant de régler la protection de butée. Ne la réglez pas avec le pied.

CHANGER LE FIL DE COUPE

REMARQUE : Utilisez toujours du fil de coupe en nylon standard d'un diamètre maximal de 2,0 mm.

⚠ AVERTISSEMENT : N'utilisez jamais de corde, de fil métallique, de fil à renfort métallique, etc., car ils peuvent se casser et devenir des projectiles dangereux.

Il y a deux méthodes pour changer le fil de coupe :

- Enrouler du fil de coupe neuf sur la bobine.
- Installer une bobine pré-enroulée (AS1301, si nécessaire, disponible auprès du distributeur).

Enrouler du fil de coupe neuf sur la bobine

Appuyez sur les deux languettes de déblocage de la base de la bobine et tirez le boîtier de bobine vers l'extérieur (Image S). Préparez 7m environ de fil de coupe neuf. Pliez-le et enroulez-le sur la bobine comme montré sur les images T et U. Puis insérez ses deux extrémités dans les deux encoches opposées de la bobine (Image V) et placez la bobine dans son boîtier en alignant les encoches avec les œillets du boîtier (Image W). Pour terminer, alignez les encoches du boîtier de bobine avec les languettes de la base de la bobine et appuyez uniformément le boîtier vers le bas en veillant à ce qu'il s'encastre bien (Image X).

REMARQUE : Nettoyez toujours le boîtier de bobine, la bobine et la base de la bobine avant de réassembler la tête de coupe. Inspectez le boîtier de bobine, la bobine et la base de la bobine pour vérifier qu'ils ne sont pas usés. Si nécessaire, remplacez les pièces usées.

REMARQUE : Ne pas enrouler le fil de coupe dans le sens indiqué provoquera le dysfonctionnement de la tête de coupe.

Assembler une bobine pré-enroulée

Appuyez sur les deux languettes de déblocage de la base de la bobine et tirez le boîtier de bobine vers l'extérieur (Image S). Puis insérez une bobine pré-enroulée dans le boîtier en alignant les encoches avec les œillets du boîtier (Image W). Pour terminer, alignez les encoches du boîtier de bobine avec les languettes de la base de la bobine et appuyez uniformément le boîtier vers le bas en veillant à ce qu'il s'encastre bien (Image X).

Images W et X Description des pièces, voir ci-dessous :

W-1	Encoche	X-1	Languette
W-2	Œillet	X-2	Encoche

REMARQUE : Veillez à ce que les languettes de la base de la bobine s'encastrent, sinon la bobine se détachera pendant l'utilisation.

ENTRETIEN

⚠ AVERTISSEMENT : L'outil ne doit être réparé qu'avec des pièces de rechange identique. Inspectez et entretenez l'outil régulièrement. Pour garantir la sécurité et la fiabilité, toutes les réparations doivent être effectuées par un réparateur qualifié.

⚠ AVERTISSEMENT : Les outils alimentés par batterie n'ont pas à être branchés dans une prise électrique, ils sont donc toujours prêts à fonctionner. Pour éviter des blessures corporelles graves, faites extrêmement attention lors de l'entretien et de la réparation de l'outil et lors du changement de l'accessoire de coupe ou d'autres accessoires.

⚠ AVERTISSEMENT : Pour éviter les blessures corporelles graves, retirez la batterie de l'outil avant de le réparer, de le nettoyer, de changer un accessoire ou d'enlever des matières de l'outil.

NETTOYER L'OUTIL

- Nettoyez l'outil avec un chiffon humide et un détergent doux.
- N'utilisez pas de détergent puissant sur le boîtier en plastique ou sur la poignée, car ils peuvent être endommagés par certaines huiles aromatiques, par exemple de pin et de citron, et par les solvants, par exemple l'essence. L'humidité peut également générer un risque de choc électrique. Essayez les traces d'humidité avec un chiffon doux et sec.

- Avec une petite brosse ou l'air sortant de la brosse de nettoyage d'un petit aspirateur, nettoyez les ouïes de ventilation du boîtier arrière pour enlever tous les débris.

RANGER L'OUTIL

- Retirez la batterie du taille-bordure quand vous ne l'utilisez pas.
- Nettoyez soigneusement et intégralement l'outil avant de le ranger.
- Rangez l'outil dans un endroit sec et bien aéré, fermé à clé ou en hauteur, hors de portée des enfants. Ne rangez pas l'outil sur ou à côté d'engrais, d'essence ou d'autres substances chimiques.

Protection de l'environnement

Ne jetez pas les équipements électriques, les chargeurs de batterie, les batteries rechargeables et les piles avec les ordures ménagères !

Conformément à la directive européenne 2012/19/UE, les équipements électriques et électroniques qui ne sont plus utilisables, et conformément à la directive européenne 2006/66/CE, les batteries rechargeables et les piles usagées ou défectueuses doivent être collectés séparément.

Si les appareils électriques sont jetés dans des décharges ou des dépôts d'ordures, des substances dangereuses peuvent s'infiltrer jusque dans la nappe phréatique et entrer dans la chaîne alimentaire, avec un effet néfaste sur votre santé et votre bien-être.

DÉCLARATION DE CONFORMITÉ CE

Nous, EGO EUROPE GMBH

Wahlwiesenstrasse 1, D-71711 Steinheim an der Murr
Deutschland

Déclarons que le taille-bordure sans fil lithium-ion **56V ST1210E** satisfait aux exigences sanitaires et de sécurité essentielles des directives suivantes :

2006/42/CE, 2014/30/UE, 2011/65/UE, 2000/14/CE

Normes et spécifications techniques applicables :

EN 60335-1, EN 50636-2-91, EN 55014-1, EN 55014-2

Niveau de puissance acoustique mesuré : 90,76 dB(A).

Niveau de puissance acoustique garanti : 91 dB(A).

La procédure d'évaluation de la conformité à l'Annexe VI a été effectuée conformément à la directive 2000/14/CE.

Organisme notifié : Société Nationale de Certification et d'Homologation

Numéro d'organisme notifié : 0499

FR

Peter Melrose
Directeur général de
EGO Europe GmbH

Dong Jianxun
Directeur Qualité de Chervon

* (Représentant autorisé par CHERVON et responsable de la documentation technique)

01/09/2016

DÉPANNAGE

FR

PROBLÈME	CAUSE	SOLUTION
Le taille-bordure ne s'allume pas.	<ul style="list-style-type: none"> ■ La batterie n'est pas insérée dans le taille-bordure. ■ Il n'y a pas de contact électrique entre l'outil et la batterie. ■ La batterie est déchargée. ■ Le levier de déverrouillage et l'interrupteur-gâchette ne sont pas tous les deux appuyés. 	<ul style="list-style-type: none"> ■ Insérez la batterie dans le taille-bordure. ■ Retirez la batterie, inspectez les contacts, puis réinsérez la batterie. ■ Rechargez la batterie. ■ Appuyez sur le levier de déverrouillage et maintenez-le appuyé, puis appuyez sur l'interrupteur-gâchette pour allumer le taille-bordure.
Le taille-bordure s'arrête pendant la coupe.	<ul style="list-style-type: none"> ■ Le capot de protection n'est pas assemblé sur l'outil, ce qui provoque une longueur excessive du fil de coupe et la surcharge du moteur. ■ Un fil de coupe trop épais est utilisé. ■ L'arbre du moteur ou la tête de coupe est bloqué par de l'herbe. ■ Le moteur est en surcharge. ■ La batterie ou le taille-bordure est trop chaud. ■ La batterie est déconnectée de l'outil. ■ La batterie est déchargée. 	<ul style="list-style-type: none"> ■ Retirez la batterie, puis assemblez le capot de protection sur l'outil. ■ Utilisez exclusivement un fil de coupe en nylon de 2,0 mm de diamètre ou d'un diamètre inférieur. ■ Éteignez l'outil, retirez la batterie, puis retirez l'herbe de l'arbre du moteur et de la tête de coupe. ■ Retirez la tête de coupe de l'herbe. Le moteur retrouve un fonctionnement normal dès que la charge est retirée. Pendant la coupe, déplacez la tête de coupe dans et hors de l'herbe à couper, et ne coupez pas une longueur supérieure à 20 cm en un seul passage. ■ Laissez la batterie et l'outil refroidir jusqu'à ce que sa température devienne inférieure à 67 °C. ■ Réinstallez la batterie. ■ Rechargez la batterie.

PROBLÈME	CAUSE	SOLUTION
La tête de coupe ne fait pas avancer le fil de coupe.	<ul style="list-style-type: none"> ■ L'arbre du moteur ou la tête de coupe est bloqué par de l'herbe. ■ Il n'y a pas assez de fil de coupe sur la bobine. ■ La tête de coupe est sale. ■ Le fil de coupe est emmêlé sur la bobine. ■ Le fil de coupe est trop court. 	<ul style="list-style-type: none"> ■ Éteignez l'outil, retirez la batterie, puis retirez l'herbe de l'arbre du moteur et de la tête de coupe. ■ Retirez la batterie et changez le fil de coupe. Pour cela, consultez le chapitre « CHANGER LE FIL DE COUPE » de ce manuel d'utilisation. ■ Retirez la batterie et nettoyez la bobine, le boîtier de bobine et la base de la bobine. ■ Retirez la batterie, enlevez le fil de coupe de la bobine, puis rembobinez-le. Pour cela, consultez le chapitre « CHANGER LE FIL DE COUPE » de ce manuel d'utilisation. ■ Retirez la batterie, puis tirez les extrémités du fil de coupe en appuyant et en actionnant le bouton de frappe alternativement.
De l'herbe s'enroule autour de la tête de coupe et du boîtier du moteur.	<ul style="list-style-type: none"> ■ Vous coupez de l'herbe haute au ras du sol. 	<ul style="list-style-type: none"> ■ Coupez l'herbe haute progressivement du haut vers le bas en coupant 20 cm au maximum à chaque passage pour éviter que l'herbe ne s'enroule.
Le fil de coupe ne coupe pas bien.	<ul style="list-style-type: none"> ■ La lame de coupe du fil sur le bord du capot de protection est usée. 	<ul style="list-style-type: none"> ■ Affûtez la lame de coupe du fil avec une lime ou remplacez-la par une lame neuve.

GARANTIE

POLITIQUE DE GARANTIE EGO

Veillez consulter le site egopowerplus.com pour trouver l'ensemble des modalités et conditions de la politique de garantie EGO.

LEA TODAS LAS INSTRUCCIONES!



ASEGÚRESE DE LEER Y ENTENDER PERFECTAMENTE EL MANUAL DE INSTRUCCIONES

ES

⚠ ¡Riesgo residual! Aquellas personas con implantes electrónicos, tales como marcapasos, deberán consultar a su médico antes de utilizar este producto. La utilización de equipos eléctricos a proximidad de un marcapasos podría causar en este interferencias o averías.

⚠ ADVERTENCIA: Para garantizar la seguridad y fiabilidad de la herramienta, confíe cualquier reparación y sustitución de piezas que sea necesaria a personal técnico cualificado.

SÍMBOLOS RELACIONADOS CON LA SEGURIDAD

El propósito de los símbolos de seguridad es el de atraer su atención hacia los posibles peligros que conlleva la utilización del producto. Los símbolos de seguridad y las explicaciones que los acompañan requieren su máxima atención y comprensión. Por sí solos, los símbolos de advertencia no eliminan los posibles peligros que pudieran existir. Las instrucciones y advertencias que aquí se incluyen no son sustitutas en modo alguno de las medidas de prevención adecuadas que deben tomarse para evitar posibles accidentes.

⚠ ADVERTENCIA: Antes de utilizar esta herramienta, asegúrese de haber leído y entendido perfectamente todas las instrucciones incluidas en este Manual del usuario, incluidos todos los símbolos de aviso sobre seguridad, tales como **PELIGRO, ADVERTENCIA** y **PRECAUCIÓN**. De no observarse todas las instrucciones proporcionadas a continuación podría existir un riesgo de incendio, electrocución, así como de lesiones físicas graves.

SIGNIFICADO DE LOS DISTINTOS SÍMBOLOS

SÍMBOLO DE AVISO DE SEGURIDAD: señala algún tipo de PELIGRO, ADVERTENCIA o PRECAUCIÓN a tener en cuenta. Este símbolo podrá utilizarse de manera conjunta con otros símbolos o pictogramas.



⚠ ADVERTENCIA: Es posible que, cuando se utilizan herramientas eléctricas, salgan despedidos objetos que podrían causar lesiones oculares severas si no se utiliza equipo de protección personal adecuado. Antes de empezar a usar herramientas eléctricas, póngase siempre gafas de seguridad, gafas con cristales anti-impacto que cuenten con pantallas de protección lateral, o bien una máscara facial que proteja completamente la cara. Recomendamos la utilización de máscaras de seguridad de amplia visión que pueden utilizarse encima de gafas graduadas, o bien gafas normales de seguridad equipadas con pantallas laterales.

INSTRUCCIONES RELACIONADAS CON LA SEGURIDAD

Esta página muestra y describe los símbolos de seguridad que puede haber en este producto. Asegúrese de leer, entender perfectamente y observar todas las instrucciones estampadas o proporcionadas con el producto antes de proceder a su montaje y utilización.

	Aviso de seguridad	Se trata de precauciones relacionadas con su seguridad.
	Leer el Manual del usuario	Para reducir en lo posible el riesgo de lesiones, será necesario leer y entender perfectamente el Manual del usuario antes de proceder a utilizar este producto.
	Utilizar protección ocular	Utilice siempre gafas de seguridad, gafas con cristales anti-impacto que cuenten con pantallas de protección lateral, o bien una máscara facial que proteja completamente la cara cuando se sirva de este producto.
	Utilizar protección auditiva	Utilice siempre protección auditiva cuando se sirva de este producto.
	Diámetro del hilo de corte	Observe el diámetro del hilo de corte indicado.

	Anchura de corte	Observe la anchura de corte máxima del cortabordes con cabezal de hilo.
	No exponga la herramienta a la lluvia	No utilice la herramienta bajo la lluvia ni la deje a la intemperie cuando esté lloviendo.
	Protección de la carcasa perteneciente a la Clase II	Carcasa con doble aislamiento.
	Mantener a terceros apartados de la zona donde se esté utilizando la herramienta	Asegúrese de que las personas y los animales domésticos se mantengan a una distancia de seguridad prudente de al menos 15 metros de la zona donde se esté utilizando el cortabordes con cabezal de hilo.
	Mantener a terceros apartados de la zona donde se esté utilizando la herramienta	Asegúrese de que las personas y los animales domésticos se mantengan a una distancia de seguridad prudente de al menos 15 metros de la zona donde se esté utilizando el cortabordes con cabezal de hilo.
V	Voltios	Tensión
A	Amperios	Corriente
Hz	Hercios	Frecuencia (ciclos por segundo)
W	Vatios	Potencia eléctrica
min	Minutos	Tiempo
	Corriente alterna	Tipo de corriente
	Corriente continua	Tipo o característica de la corriente
n_0	Velocidad en vacío	Velocidad de giro, sin carga
... /min	Por minuto	Revoluciones por minuto

PRECAUCIONES IMPORTANTES DE SEGURIDAD

⚠ ADVERTENCIA: Cuando se utilicen cortabordes con cabezal de hilo, deberán adoptarse siempre ciertas precauciones de seguridad básicas a fin de reducir posibles riesgos de incendio, electrocución y lesiones físicas. Además, deberán tenerse en cuenta las advertencias siguientes:

LEA DETENIDAMENTE TODAS LAS INSTRUCCIONES ANTES DE UTILIZAR LA HERRAMIENTA

CONSERVE ESTA INFORMACIÓN COMO REFERENCIA FUTURA

⚠ ¡PELIGRO! No confíe exclusivamente en el aislamiento de la herramienta a modo de prevención contra posibles descargas eléctricas. Para reducir en lo posible cualquier riesgo de electrocución, nunca utilice la herramienta cerca de cables o tendidos eléctricos (alimentación, etc.) que pudieran estar bajo tensión.

⚠ PRECAUCIÓN: Utilice protección auditiva adecuada mientras se sirve de la herramienta. En ciertas condiciones de uso y en función del tiempo de exposición, el ruido generado por este producto podría dañar su capacidad auditiva.

FORMACIÓN

- Lea detenidamente las instrucciones proporcionadas. Familiarícese con los mandos, así como con la manera correcta de utilizar su herramienta.
- Nunca permita que utilicen la herramienta las personas que no estén familiarizadas con estas instrucciones ni los niños. En algunos casos, es posible que la legislación local estipule una edad mínima para poder utilizar este tipo de herramientas.
- Le recordamos que el operario o usuario de la herramienta será responsable de cualquier accidente o peligro que su utilización pudiera suponer para otras personas o bienes de terceros.

PREPARATIVOS PRELIMINARES

- Nunca utilice la herramienta cuando haya personas, especialmente niños o animales domésticos en las inmediaciones de la zona de trabajo.
- Utilice siempre protección ocular y calzado robusto mientras se sirve de la herramienta.

UTILIZACIÓN

- Utilice únicamente la herramienta a plena luz del día o cuando exista iluminación artificial adecuada.
- Nunca utilice la herramienta con sus guardas de protección dañadas o sin sus dispositivos de seguridad instalados.
- No ponga en marcha el motor hasta haberse asegurado de tener las manos y los pies lo suficientemente apartados de los elementos de corte.
- Desconecte la herramienta de la fuente de alimentación (por ejemplo, desenchufándola de la red eléctrica, retirando su acumulador, o accionando el dispositivo de bloqueo o corte de alimentación) en los siguientes casos:
 - siempre que vaya a dejarla desatendida;
 - antes de eliminar cualquier obstrucción en la herramienta;
 - antes de comprobar, limpiar o llevar a cabo cualquier operación en la herramienta;
 - tras haber golpeado algún objeto extraño con el elemento de corte;
 - en cuanto se observen vibraciones anormales en la herramienta.
- Extreme las precauciones para evitar sufrir lesiones en los pies y las manos debido a la acción de los elementos de corte.
- Asegúrese siempre de que las rejillas de ventilación están libres de residuos y acumulaciones de suciedad.

MANTENIMIENTO Y ALMACENAMIENTO

- Desconecte la herramienta de la fuente de alimentación (por ejemplo, desenchufándola de la red eléctrica, retirando su acumulador, o accionando el dispositivo de bloqueo o corte de alimentación) antes de efectuar en ella cualquier tarea de mantenimiento o limpieza.
- Utilice únicamente piezas de repuesto y accesorios recomendados por el fabricante.
- Examine la herramienta a intervalos periódicos y lleve a cabo las operaciones de mantenimiento que sean necesarias. Confíe cualquier reparación que sea necesario efectuar en la herramienta a un servicio técnico autorizado.
- Cuando no la esté utilizando, guarde la herramienta en lugar fuera del alcance de niños.

ADVERTENCIAS DE SEGURIDAD COMPLEMENTARIAS

- Evite aquellas condiciones particularmente peligrosas. No utilice el cortabordes en hierba mojada o excesivamente húmeda.

- Asegúrese siempre de apagar el cortabordes con cabezal de hilo o retire el acumulador cuando vaya a dejarlo desatendido.
- Tampoco lo utilice bajo la lluvia.
- Mantenga alejados a los niños. todas las personas deberán mantenerse a una distancia prudente de la zona de trabajo.
- Utilice ropa adecuada. No lleve puesta ropa holgada ni joyas. Existe el peligro de que pudieran quedar atrapadas en las partes móviles de la herramienta. Se recomienda utilizar de guantes de goma y calzado adecuado cuando trabaje al aire libre. Si lleva el pelo largo, asegúrese de mantenerlo recogido utilizando alguna prenda de protección para la cabeza.
- Utilice gafas de seguridad. Asimismo, utilice siempre una mascarilla antipolvo o un aparato de protección respiratoria si el trabajo efectuado es propenso a generar polvo.
- Use siempre la herramienta correcta para el trabajo a realizar. No utilice la herramienta para ninguna otra tarea que no sea la prevista.
- No fuerce en exceso el cortabordes. La herramienta realizará el trabajo mejor y con menos riesgos de provocar lesiones si se utiliza al ritmo para el que ha sido diseñada.
- No se estire demasiado para alcanzar lugares de difícil acceso. Mantenga en todo momento un buen equilibrio y los pies firmemente apoyados en el suelo.
- Manténgase alerta y preste atención a lo que hace. Utilice su sentido común. No utilice el cortabordes si está cansado.
- No utilice el cortabordes si se encuentra bajo los efectos de alcohol o drogas.
- Asegúrese siempre de utilizar la herramienta con todas sus guardas de protección correctamente instaladas y en buen estado.
- Almacene el cortabordes en interiores. Cuando no lo esté utilizando, retire el acumulador y almacene la herramienta en un lugar seco y lo suficientemente alto o bajo llave, fuera del alcance de niños.
- Efectúe el mantenimiento que sea necesario en su cortabordes. Mantenga el cabezal de hilo de corte limpio a fin de garantizar un funcionamiento más eficaz y seguro, así como para reducir cualquier riesgo de lesiones. Siga las instrucciones correspondientes a la hora de cambiar accesorios. Mantenga las empuñaduras de la herramienta secas, limpias y libres de aceite y grasa.

- Compruebe la posible existencia de piezas dañadas. Antes de seguir utilizando el cortabordes, deberá examinarse detenidamente cualquier guarda de protección o pieza dañada a fin de determinar si se encuentra en perfectas condiciones de funcionamiento y si pueden permitir efectuar el trabajo previsto sin que resulte peligroso. Compruebe la alineación de las piezas móviles y asegúrese de que se desplazan libremente sin trabarse. Verifique también que no haya piezas o soportes rotos ni ninguna otra condición pudiera afectar al funcionamiento de la herramienta. A menos que se indique lo contrario en este manual, si una guarda de protección u otra pieza está dañada, deberá repararla o sustituirla un servicio técnico autorizado.
- Antes de cada uso, despeje la zona de trabajo. Quite todos los objetos como piedras, vidrios rotos, clavos, alambres, cables o cuerdas, ya que podrían salir despedidos por la acción de la herramienta o enredarse en el elemento de corte. Asegúrese de mantener a personas y animales domésticos a una distancia prudente de al menos 15 metros de la zona donde se esté utilizando la herramienta.
- Examine la herramienta antes de cada utilización o tras haber golpeado algún objeto por si presentase indicios de desgaste o daños. De ser así, lleve a cabo las reparaciones que sean necesarias.
- Sujete siempre el cortabordes firmemente por sus empuñaduras con ambas manos mientras lo utiliza. Sus pulgares y dedos deberán siempre rodear totalmente las empuñaduras de la herramienta.
- Evite cualquier activación fortuita de la herramienta. Nunca transporte el cortabordes con su dedo apoyado en el gatillo interruptor.
- No utilice el cortabordes en presencia de combustibles tales como gasolina ni en entornos explosivos. Los motores de estas herramientas suelen generar chispas que podrían actuar como detonante de vapores inflamables.
- Daños en el cortabordes. En caso de golpear algún objeto extraño con el cortabordes o si algún objeto se enreda en el cabezal, apague inmediatamente la herramienta, retire el acumulador, examine la posible existencia de daños y lleve a cabo las reparaciones que sean necesarias antes de volver a utilizar la herramienta. No utilice la herramienta si su guarda de protección o carrete de hilo están dañados o rotos.
- De observarse vibraciones anormales en el cortabordes, apague el motor, retire el acumulador e investigue inmediatamente la causa. Las vibraciones suelen ser indicativo de alguna anomalía. Un cabezal suelto

podría provocar vibraciones, agrietarse, romperse o salir despedido del cortabordes, pudiendo causar lesiones graves o incluso mortales. Asegúrese de que el accesorio de corte está correctamente sujeto en su sitio. Si el cabezal se suelta tras haberlo fijado en su sitio, sustitúyalo inmediatamente por otro nuevo. Nunca utilice un cortabordes con un accesorio de corte suelto.

- Sustituya inmediatamente cualquier cabezal de corte que esté agrietado, dañado o desgastado, incluso si el daño observado parece limitarse a grietas superficiales. Un accesorio de corte en esas condiciones podría romperse en pedazos al funcionar a altas revoluciones y provocar lesiones graves o incluso mortales.
- Compruebe el accesorio de corte con bastante frecuencia mientras utiliza la herramienta o inmediatamente si observa cualquier cambio notable en la eficacia de corte.
- Utilice únicamente cabezales e hilo de corte de polímero homologados por (Ø2,0 mm) EGO™ y diseñados para su uso con este tipo de cortabordes. Si bien existe la posibilidad de instalar en su cortabordes EGO™ ciertos accesorios no aprobados por el fabricante, su utilización podría ser extremadamente peligrosa y perjudicial para la herramienta.
- Para reducir en lo posible el riesgo de sufrir lesiones graves, nunca utilice carretes de alambre, hilo metálico reforzado u otro material en lugar de hilo de corte de nailon. Los hilos de alambre podrían romperse y salir despedidos a alta velocidad, pudiendo causar lesiones graves tanto al usuario como a aquellas personas presentes en la zona de trabajo.
- Para reducir el riesgo de lesiones debido a una posible pérdida de control, nunca utilice la herramienta subido en una escalera ni ningún otro soporte poco estable o inseguro. Nunca eleve el accesorio de corte por encima de su cintura.
- De darse alguna situación que no estuviera cubierta en este manual, asegúrese de actuar con cuidado y buen juicio. Póngase en contacto con el departamento de atención al cliente de EGO en caso de que necesite asistencia al respecto.
- No recargue el acumulador bajo la lluvia ni en entornos excesivamente húmedos.
- Utilice únicamente los modelos de acumuladores y cargadores indicados a continuación:

ACUMULADOR	CARGADOR
BA1120E, BA2240E, BA2800, BA3360, BA4200	CH5500E, CH2100E

- Deberá retirarse el acumulador de la herramienta antes de proceder a su eliminación.
- El acumulador deberá eliminarse de manera segura.
- No elimine el acumulador arrojándolo al fuego. Sus celdas podrían explotar. Consulte la normativa local referente a los procedimientos de eliminación especiales previstos a tal efecto.
- No desarme ni dañe en modo alguno el acumulador. El electrólito que podría liberarse es corrosivo y podría provocar lesiones oculares o cutáneas. Asimismo, podría ser tóxico si se ingiere.
- Tome las precauciones adecuadas al manipular los acumuladores a fin de no provocar cortocircuitos con materiales conductores, tales como anillos, pulseras y llaves. Cualquier cortocircuito podría provocar el sobrecalentamiento del acumulador o material conductor, con el consiguiente riesgo de sufrir quemaduras.
- Cuando efectúe reparaciones en la herramienta, utilice únicamente piezas originales EGO™ idénticas a las instaladas de fábrica. El uso de accesorios o piezas diferentes a los recomendados en este manual aumentará el riesgo de sufrir lesiones físicas.
- Las herramientas que funcionan a batería no requieren enchufarse en una toma de corriente. Por lo tanto, siempre están listas para funcionar. Sea consciente de los posibles peligros implicados, incluso cuando la herramienta no está funcionando. Preste especial atención al efectuar reparaciones u operaciones de mantenimiento en la herramienta.
- No limpie la herramienta utilizando una manguera. Evite que penetre agua en el motor o en las conexiones eléctricas.
- Conserve estas instrucciones. Consúltelas con frecuencia y utilícelas para instruir a aquellas otras personas que vayan a usar esta herramienta. En caso de prestar esta herramienta a terceros, proporciónelas también estas instrucciones a fin de evitar su uso incorrecto y posibles riesgos de lesiones.
- Lleve siempre calzado robusto y pantalones largos cuando utilice la herramienta.
- Asegúrese siempre de tener los pies firmemente apoyados cuando utilice la herramienta en pendientes. Desplácese despacio, nunca corra.

¡CONSERVE ESTAS INSTRUCCIONES EN UN LUGAR SEGURO!

ESPECIFICACIONES

Tensión	56 V ---	
Velocidad en vacío	7000 /min	
Sistema de corte	Cabezal con extracción de hilo automática por impacto	
Tipo de hilo de corte	AL0800 hilo de nailon redondo de Ø2,0 mm	
Anchura de corte	30 cm	
Peso (sin acumulador)	2,85 kg	
Nivel de potencia acústica ponderado L_{WA}	90,76 dB(A) K=2,5 dB(A)	
Nivel de presión acústica medido a la altura del oído del usuario L_{PA}	75,0 dB(A) K=2,5 dB(A)	
Nivel de potencia acústica garantizado L_{WA} (medido según 2000/14/CE)	91 dB(A)	
Nivel de vibraciones (a_{p1})	Empuñadura trasera	3,279 m/s ² K=1,5 m/s ²
	Empuñadura delantera	4,915 m/s ² K=1,5 m/s ²

- El nivel total de vibraciones especificado ha sido medido conforme al método de prueba estándar empleado en la industria y puede utilizarse para efectuar comparaciones entre herramientas.
- Asimismo, el nivel total de vibraciones declarado podrá utilizarse para efectuar una evaluación preliminar de la exposición del usuario a los niveles de vibración generados por la herramienta.

AVISO: Las vibraciones generadas durante el uso real de la herramienta eléctrica podrán diferir del valor declarado en función de la manera en que se utilice. A modo de protección, el usuario deberá utilizar guantes y protectores auditivos en condiciones reales de uso.

LISTA DE EMBALAJE

DENOMINACIÓN DE PIEZA	CANTIDAD
Cortabordes con cabezal de hilo	1
Guarda de protección	1
Conjunto de empuñadura auxiliar delantera	1
Llave hexagonal	1
Manual de instrucciones	1

DESCRIPCIÓN

FAMILIARÍCESE CON SU CORTABORDES CON CABEZAL DE HILO (Fig. A)

1. Gatillo interruptor
2. Empuñadura trasera
3. Palanca de desbloqueo
4. Funda blanda
5. Empuñadura auxiliar delantera ajustable
6. Tubo
7. Parachoques
8. Botón de extracción del hilo de corte
9. Cabezal de impacto (cabezal de corte)
10. Guarda de protección
11. Cuchilla de recorte del hilo
12. Mecanismo de expulsión
13. Contactos eléctricos
14. Seguro
15. Botón de liberación del acumulador

CONJUNTO

⚠ ADVERTENCIA: Si alguna pieza falta o está rota, no utilice el producto hasta haber sustituido las piezas rotas o instalado las que faltan. Podrían producirse lesiones físicas graves en caso de utilizar el producto si alguna de sus piezas falta o está dañada.

⚠ ADVERTENCIA: No intente modificar esta herramienta en modo alguno ni fabricar accesorios no recomendados para su uso en este cortabordes con cabezal de hilo. Cualquier alteración o modificación se considerará uso indebido y podría provocar una situación peligrosa con riesgo de sufrir lesiones graves.

⚠ ADVERTENCIA: Para evitar cualquier puesta en marcha accidental que pudiera causar lesiones físicas graves, asegúrese siempre de retirar el acumulador de la herramienta antes de proceder al montaje de cualquier pieza.

MONTAJE DE LA GUARDA DE PROTECCIÓN (fig. B, C y D)

⚠ ADVERTENCIA: Utilice siempre guantes al instalar o sustituir la guarda de protección. Tenga cuidado con la cuchilla instalada en la guarda y proteja adecuadamente sus manos para evitar cortarse.

⚠ ADVERTENCIA: Nunca utilice la herramienta sin su guarda de protección instalada y firmemente sujeta en su sitio. ¡La guarda deberá estar siempre instalada en la herramienta a fin de ofrecer protección al usuario! Una vez fijada en su sitio, nunca intente retirar ni ajustar la guarda de protección. Si por cualquier motivo fuera necesaria su sustitución, dicha operación deberá efectuarla personal técnico cualificado.

Coloque el cabezal del cortabordes mirando hacia arriba; afloje los dos tornillos y quítelos. A continuación, alinee las nervaduras de guía con las ranuras de la carcasa, empuje la guarda para introducirla en su lugar y bloquéela con los dos tornillos. Asegúrese de que la superficie interna de la guarda de protección está orientada hacia el cabezal del cortabordes.

MONTAJE Y AJUSTE DE LA EMPUÑADURA AUXILIAR DELANTERA

Empuje la empuñadura auxiliar delantera para introducirla sobre el tubo (fig. F); a continuación, inserte el bloque de fijación en la ranura de la empuñadura (fig. G), monte el tornillo de palanca y bloquéelos con la palometa (fig. H). El orden se muestra en la fig. E. Por último, ajuste la posición de la empuñadura auxiliar delantera de modo que su brazo delantero esté estirado cuando use el cortabordes (fig. I) y, a continuación, bloquee la palanca del tornillo de palanca (fig. J).

Fig. E e I, ver abajo la descripción de las piezas:

E-1	Empuñadura auxiliar delantera	E-4	Palometa
E-2	Tornillo de palanca	I-1	Funda blanda
E-3	Bloque de fijación	I-2	Rótulo de advertencia

AVISO: La empuñadura auxiliar delantera debe girarse hacia arriba para que indique hacia la parte superior de la empuñadura.

⚠ ADVERTENCIA: Fije únicamente la empuñadura auxiliar por delante de la zona del tubo que incorpora una funda blanda.

⚠ ADVERTENCIA: La herramienta no se puede usar si la empuñadura auxiliar delantera no está sujeta de forma fiable.

UTILIZACIÓN

⚠ ADVERTENCIA: No permita que la confianza que supone el hecho de estar familiarizado con el producto dé lugar a descuidos. Recuerde que cualquier distracción de una fracción de segundos es suficiente para sufrir o provocar lesiones graves.

⚠ ADVERTENCIA: Utilice siempre gafas de seguridad con pantallas de protección lateral, así como protección auditiva. De lo contrario, los objetos despedidos por la acción de la herramienta podrían alcanzar sus ojos y provocar lesiones graves oculares o de otro tipo.

⚠ ADVERTENCIA: No utilice piezas o accesorios que no hayan sido recomendados por el fabricante de este producto. La utilización de piezas o accesorios no recomendados por el fabricante podría resultar en lesiones físicas graves.

⚠ ADVERTENCIA: Utilice su cortabordes con su cabezal equipado con un carrete cuyo hilo sea del tipo adecuado y únicamente para cortar hierba y material similar.

⚠ ADVERTENCIA: Para evitar cualquier puesta en marcha accidental que pudiera causar lesiones físicas graves, asegúrese siempre de retirar el acumulador de la herramienta antes de proceder al montaje de cualquier pieza, de hacer ajustes o de limpiar la herramienta, así como cuando no la utilice.

Este producto podrá utilizarse para los propósitos indicados a continuación:

Recorte: se usa para quitar hierba y malas hierbas junto a paredes, vallas, árboles y bordes.

Corte: se usa para cortar la hierba difícil de alcanzar con un cortacésped normal.

AVISO: La herramienta debe utilizarse únicamente para el fin previsto. Cualquier otro uso, por ejemplo el corte de setos, se considerará uso indebido.

CONEXIÓN/DESCONEXIÓN DEL ACUMULADOR

Recargue totalmente el acumulador antes de usarlo.

Conexión (fig. K)

Alinee las nervaduras del acumulador con las ranuras de montaje, e introduzca el acumulador presionándolo hacia abajo hasta oír un “clic”.

Desconexión (fig. L)

⚠ ADVERTENCIA: Preste atención siempre a la posición de sus pies, así como a la presencia de niños o mascotas cuando presione el botón de liberación del acumulador. Podrían producirse lesiones graves si el acumulador se cayese. NUNCA retire el acumulador con la herramienta situada en altura.

Pulse el botón de liberación del acumulador y saque el acumulador.

CÓMO SOSTENER EL CORTABORDES CON CABEZAL DE HILO AL CORTAR LA HIERBA

⚠ ADVERTENCIA: Utilice ropa adecuada cuando trabaje con esta herramienta para reducir el riesgo de lesiones. No lleve puesta ropa holgada ni joyas. Utilice protección ocular y auditiva. Utilice pantalones largos, botas y guantes resistentes. No utilice pantalones cortos, sandalias, ni vaya descalzo.

Antes de ponerlo en marcha, sujete el cortabordes con las dos manos, una en la empuñadura trasera y la otra en la empuñadura auxiliar delantera, que deberá estar extendida (fig. M). A continuación, compruebe que tiene los pies en equilibrio y mantenga una distancia de corte adecuada.

PUESTA EN MARCHA / PARADA DEL CORTABORDES CON CABEZAL DE HILO (fig. N)

Puesta en marcha

Empuje hacia abajo la palanca de desbloqueo y manténgala en dicha posición. Apriete el gatillo interruptor para poner en marcha el cortabordes con cabezal de hilo.

Parada

Suelte la palanca de desbloqueo y el gatillo.

⚠ ADVERTENCIA: Asegúrese siempre de retirar el acumulador del cortabordes con cabezal de hilo durante cualquier pausa que haga durante el trabajo, así como una vez finalizada la tarea.

UTILIZACIÓN DEL CORTABORDES CON CABEZAL DE HILO

⚠ ADVERTENCIA: Para evitar sufrir lesiones físicas graves, asegúrese de utilizar gafas de seguridad o con cristales anti-impacto siempre que se sirva de esta herramienta. Asimismo, utilice mascarilla antipolvo o protección respiratoria si se sirve de la herramienta en entornos polvorientos.

Antes de cada uso, despeje la zona de trabajo. Quite todos los objetos como piedras, vidrios rotos, clavos, alambres, cables o cuerdas, ya que podrían salir despedidos por la acción de la herramienta o enredarse en el elemento de corte. Mantenga a los niños, las mascotas y otras personas fuera de la zona de trabajo. Mantenga a los niños y otras personas, así como a las mascotas, a una distancia mínima de 15m de la zona donde se esté utilizando la herramienta, ya que existe riesgo de que salgan objetos despedidos. Se recomienda que cualquier persona presente en la zona de trabajo utilice protección ocular. Apague inmediatamente el motor o desactive el dispositivo de corte si cualquiera se le acerca.

Antes de cada utilización, examine la herramienta para determinar la posible existencia de piezas dañadas o desgastadas.

Examine el cabezal de impacto, la guarda de protección y empuñadura auxiliar delantera. Sustituya cualquier pieza que esté agrietada, deformada, doblada o presente cualquier tipo de daño.

Con el tiempo, el filo de la cuchilla de recorte de hilo situada en el borde de la guarda de protección puede llegar a embotarse. Se recomienda afilarla con una lima a intervalos periódicos o sustituirla por otra nueva.

⚠ ADVERTENCIA: Utilice siempre guantes al instalar la guarda de protección, así como al afilar o sustituir la cuchilla. Tenga cuidado con la cuchilla instalada en la guarda y proteja adecuadamente sus manos para evitar cortarse.

Asegúrese de limpiar el cortabordes después de cada utilización.

- Use solo jabón suave y un paño húmedo para limpiar la herramienta. No deje nunca que entre líquido en la herramienta ni sumerja ninguna parte de la herramienta en ningún líquido.
- Mantenga en todo momento los orificios de ventilación de la carcasa del motor y el tubo libres de residuos (fig. O).

Fig. O, ver abajo la descripción de las piezas:

0-1	Orificios de ventilación en el tubo
0-2	Orificios de ventilación en la carcasa del motor

⚠ PRECAUCIÓN: Cualquier obstrucción de los orificios de ventilación impedirá la correcta circulación de aire por el interior de la carcasa del motor, pudiendo hacer que este se sobrecaliente o sufra daños.

⚠ ADVERTENCIA: Nunca utilice agua para limpiar su herramienta. Evite utilizar disolventes para limpiar los elementos plásticos del producto. La mayoría de las piezas de plástico utilizadas son susceptibles de sufrir daños si se limpian con algunos de los tipos de disolventes de uso industrial disponibles en el mercado. Utilice paños limpios para eliminar la suciedad y los residuos de polvo, aceite, grasa, etc.

CÓMO AJUSTAR LA LONGITUD DEL HILO DE CORTE

El cabezal de impacto permite al usuario ir extrayendo más hilo de corte del carrete sin tener que detener el motor de la herramienta. Debido a que el hilo termina deshilachándose o desgastándose, podrá ir extrayéndose la longitud necesaria golpeando levemente el botón de extracción del hilo de corte sobre el suelo mientras se utiliza el cortabordes (fig. P).

Para obtener los mejores resultados, golpee el botón de extracción del hilo de corte sobre suelo duro o terreno sin hierba. De intentar extraer el hilo de corte golpeando el cabezal en el suelo con hierba alta, el motor podría sobrecalentarse. Mantenga siempre el hilo de corte totalmente extendido. La extracción del hilo de corte se hace más difícil a medida que se hace más corto o va quedando menos cantidad en el carrete.

⚠ ADVERTENCIA: No retire ni modifique en modo alguno la cuchilla de recorte del hilo presente en la guarda de protección. Una longitud excesiva de hilo de corte hará que el motor se sobrecaliente y podría dar lugar a lesiones físicas graves.

UTILIZACIÓN DEL PARACHOQUES

El parachoques puede utilizarse para limitar la distancia de corte del hilo en la zona frontal de la herramienta y reducir así el riesgo de que pueda llegar a causar daños a objetos al acercarla demasiado (fig. Q)

Para usar el parachoques, bascúlelo hacia abajo desde su posición retraída (fig. R).

⚠ ADVERTENCIA: El cabezal de impacto sigue girando durante unos instantes después de haberse apagado el cortabordes. Espere a que el cabezal de impacto se haya detenido por completo antes de proceder a ajustar el parachoques. No intente ajustarlo utilizando el pie.

SUSTITUCIÓN DEL HILO DE CORTE

AVISO: Utilice siempre hilo de corte de nailon estándar con un diámetro no superior a Ø2,0 mm.

⚠ ADVERTENCIA: Nunca utilice carretes de alambre, hilo metálico reforzado, cuerda, etc., ya que estos podrían romperse y sus trozos convertirse en proyectiles peligrosos.

Existen dos métodos posibles para sustituir el hilo de corte:

1. Rebobinando el carrete original con nuevo hilo de corte.
2. Instalando un nuevo carrete ya rebobinado (AS1301, en caso necesario, disponible en el comercio).

Cómo rebobinar el carrete original con nuevo hilo de corte.

Presione las dos lengüetas de liberación situadas en la base del carrete y tire del cartucho del carrete (fig. S). Saque aproximadamente 7m de hilo de corte nuevo. Dóblelo y enróllelo en el carrete como se muestra en las fig. T y U. A continuación, coloque los extremos del hilo a través de las dos hendiduras opuestas del carrete (fig. V) y ponga el carrete en su cartucho con las hendiduras alineadas con los ojales del cartucho (fig. W). Por último, alinee las ranuras del cartucho con las lengüetas de la base del carrete y presione el cartucho hacia abajo uniformemente, asegurándose de que engancha en su lugar (fig. X).

AVISO: Limpie siempre el cartucho del carrete, así como el propio carrete y su base antes de volver a ensamblar el cabezal del cortabordes. Examine el carrete, su cartucho y la base por si presentaran desgaste. De ser necesario, sustituya los elementos desgastados.

AVISO: Si no enrolla el hilo de corte en la dirección indicada, el cabezal del cortabordes no funcionará de la manera adecuada.

Instalación de un nuevo carrete ya rebobinado

Presione las dos lengüetas de liberación situadas en la base del carrete y tire del cartucho del carrete (fig. S). A continuación, coloque en el cartucho un carrete ya rebobinado, con las hendiduras alineadas con los ojales del cartucho (fig. W). Por último, alinee las ranuras del cartucho con las lengüetas de la base del carrete y presione el cartucho hacia abajo uniformemente, asegurándose de que engancha en su lugar (fig. X).

Fig. W y X, ver abajo la descripción de las piezas:

W-1	Hendidura	X-1	Lengüeta
W-2	Ojal	X-2	Ranura

AVISO: Asegúrese de que las lengüetas de la base del carrete han encajado correctamente en su sitio, ya que, de lo contrario, el carrete se soltará del cabezal durante la utilización del cortabordes.

MANTENIMIENTO

⚠ ADVERTENCIA: Cuando efectúe reparaciones en la herramienta, utilice únicamente piezas idénticas a las originales. Examine la herramienta a intervalos periódicos y lleve a cabo las operaciones de mantenimiento que sean necesarias. Para garantizar la seguridad y fiabilidad del producto, confíe cualquier reparación que sea necesaria a personal técnico cualificado.

⚠ ADVERTENCIA: Las herramientas que funcionan a batería no requieren enchufarse en una toma de corriente. Por lo tanto, siempre están listas para funcionar. A fin de evitar sufrir posibles lesiones físicas graves, exteme las precauciones y proceda con cuidado al efectuar cualquier operación de mantenimiento, reparación o sustitución del elemento de corte o de otros accesorios de la herramienta.

⚠ ADVERTENCIA: A fin de evitar en lo posible sufrir lesiones físicas graves, asegúrese siempre de retirar el acumulador de la herramienta antes de proceder a efectuar cualquier reparación, limpieza, sustitución de accesorios y elementos de corte, así como de retirar acumulaciones de material cortado.

LIMPIEZA DE LA HERRAMIENTA

- Limpie la herramienta utilizando un paño húmedo y una pequeña cantidad de detergente suave.
- No utilice detergentes fuertes en la carcasa de plástico o en la empuñadura. Ciertos aceites aromáticos, como aquellos a base de limón o resina de pino y disolventes como queroseno, podrían dañar estas piezas. La humedad puede también contribuir al riesgo de sufrir descargas eléctricas. Utilice un paño suave y seco para eliminar cualquier resto de humedad.
- Utilice un cepillo pequeño o el accesorio tipo cepillo de una aspiradora para limpiar las obstrucciones de los orificios de ventilación de la carcasa trasera .

ALMACENAMIENTO DE LA HERRAMIENTA

- Retire el acumulador de su cortabordes con cabezal de hilo cuando no lo esté utilizando.
- Limpie minuciosamente la herramienta antes de proceder a su almacenamiento.
- Almacene la herramienta en un lugar seco y bien ventilado, ya sea cerrado o a una altura suficiente que impida que los niños puedan alcanzarla. No la guarde encima ni cerca de fertilizantes, gasolina u otros productos químicos.

Protección del medio ambiente



No elimine aparatos eléctricos, cargadores de baterías, acumuladores recargables o baterías junto con los desperdicios domésticos!

Tanto la Directiva europea 2012/19/UE sobre la eliminación de aparatos eléctricos y electrónicos inservibles como la Directiva europea 2006/66/CE sobre la eliminación de baterías o acumuladores defectuosos o agotados estipulan que dichos elementos deben ser objeto de una recogida selectiva.

Si los aparatos eléctricos acabaran tirándose a vertederos o basureros, podrían desprender sustancias perjudiciales que llegarían a contaminar las capas freáticas y entrar en la cadena alimenticia, con el consecuente peligro para la salud y calidad de vida humana.

DECLARACIÓN DE CONFORMIDAD CE

Nosotros, EGO EUROPE GMBH

Wahlwiesenstrasse 1, D-71711 Steinheim an der Murr Deutschland

Declaramos que el producto cortabordes inalámbrico con cabezal de hilo y acumulador **de ion de litio de 56V ST1210E** cumple los requisitos esenciales sobre salud y seguridad de las directivas siguientes:

2006/42/CE, 2014/30/UE, 2011/65/UE, 2000/14/CE

Normas y especificaciones técnicas consultadas:

EN 60335-1, EN 50636-2-91, EN 55014-1, EN 55014-2

Nivel de potencia acústica ponderado: 90,76 dB(A).

Nivel de potencia acústica garantizado: 91 dB(A).

El procedimiento de evaluación de la conformidad del Anexo VI se sigue de acuerdo con la directiva 2000/14/CE.

Organismo Notificado: Société Nationale de Certification et d'Homologation

Número del Organismo Notificado: 0499

ES

Peter Melrose
Director Ejecutivo de
EGO Europe GmbH

Dong Jianxun
Director de calidad de Chervon

* (representante autorizado de CHERVON y responsable de la documentación técnica)

01/09/2016

RESOLUCIÓN DE PROBLEMAS

ES

ANOMALÍA	CAUSA	SOLUCIÓN
El cortabordes con cabezal de hilo no se pone en marcha	<ul style="list-style-type: none"> ■ El acumulador no está correctamente insertado en el cortabordes. ■ No hay contacto eléctrico entre el acumulador y el cortabordes. ■ El acumulador está agotado. ■ No ha presionado simultáneamente la palanca de desbloqueo y el gatillo interruptor. 	<ul style="list-style-type: none"> ■ Inserte correctamente el acumulador en el cortabordes. ■ Retire el acumulador, compruebe los contactos eléctricos y vuelva a instalar el acumulador en su sitio. ■ Recargue el acumulador. ■ Mantenga presionada hacia abajo la palanca de desbloqueo y apriete el gatillo interruptor para poner en marcha su cortabordes.
El cortabordes con cabezal de hilo deja de funcionar durante su uso.	<ul style="list-style-type: none"> ■ La guarda de protección no está instalada en el cortabordes, haciendo que el hilo de corte quede extraído a una longitud excesiva y el motor se sobrecargue. ■ Se está utilizando un hilo de corte demasiado grueso. ■ Hay una acumulación excesiva de hierba en el eje del motor o cabezal del cortabordes. ■ El motor se ha sobrecargado ■ El acumulador o el circuito del cortabordes se han sobrecalentado. ■ El acumulador se ha desconectado de la herramienta. ■ El acumulador está agotado. 	<ul style="list-style-type: none"> ■ Retire el acumulador e instale la guarda de protección en el cortabordes. ■ Utilice únicamente hilo de corte de nailon con un diámetro máximo de 2,0mm. ■ Apague el cortabordes, retire el acumulador y, a continuación, elimine cualquier acumulación de hierba presente en el eje del motor o cabezal del cortabordes. ■ Aparte el cabezal del cortabordes de la hierba. El motor se recuperará y volverá a funcionar normalmente tan pronto como se haya aliviado la carga. Al cortar la hierba, desplace el cabezal del cortabordes por esta siguiendo un movimiento de vaivén y procurando cortar una longitud máxima de 20 cm en cada pasada. ■ Espere a que el acumulador o el cortabordes se hayan enfriado lo suficiente hasta que su temperatura sea inferior a 67°C. ■ Vuelva a instalar en su sitio el acumulador. ■ Recargue el acumulador.

ANOMALÍA	CAUSA	SOLUCIÓN
<p>El hilo de corte no se extrae automáticamente del cabezal del cortabordes.</p>	<ul style="list-style-type: none"> ■ Hay una acumulación excesiva de hierba en el eje del motor o cabezal del cortabordes. ■ No queda suficiente longitud del hilo de corte en el carrete. ■ El cabezal del cortabordes está sucio. ■ El hilo de corte está enredado en el interior del carrete. ■ El hilo de corte es demasiado corto. 	<ul style="list-style-type: none"> ■ Apague el cortabordes, retire el acumulador y, a continuación, elimine cualquier acumulación de hierba presente en el eje del motor o cabezal del cortabordes. ■ Retire el acumulador y sustituya el hilo de corte. Consulte el apartado titulado "SUSTITUCIÓN DEL HILO DE CORTE" que se incluye en este manual. ■ Retire el acumulador y limpie el carrete, su cartucho y la base. ■ Retire el acumulador, retire el hilo de corte del carrete y vuelva a enrollarlo correctamente. Consulte el apartado titulado "SUSTITUCIÓN DEL HILO DE CORTE" que se incluye en este manual. ■ Retire el acumulador y tire de los extremos del hilo de corte mientras presiona y suelta reiteradamente el botón de extracción del hilo de corte.
<p>La hierba se enreda alrededor del cabezal y de la carcasa del motor.</p>	<ul style="list-style-type: none"> ■ Está cortando a nivel del suelo hierba que está demasiado alta. 	<ul style="list-style-type: none"> ■ Corte la hierba alta de arriba hacia abajo, cortando un máximo de 20 cm en cada pasada para así evitar que se enrede en la herramienta.
<p>El hilo de corte no corta como es debido.</p>	<ul style="list-style-type: none"> ■ El filo de la cuchilla de recorte de hilo situada en la guarda de protección está embotado. 	<ul style="list-style-type: none"> ■ Afile la cuchilla de recorte del hilo utilizando una lima, o bien sustitúyala por una cuchilla nueva.

GARANTÍA

POLITICA DE GARANTÍA EGO

Por favor visite nuestra página web egopowerplus.com para los terminos y las condiciones completas de la política de garantía EGO.

LEIA TODAS AS INSTRUÇÕES!



LEIA E COMPREENDA O MANUAL DE INSTRUÇÕES

⚠ Risco residual! As pessoas com dispositivos eletrônicos, como pacemakers, deverão consultar o seu médico antes de utilizarem este produto. A utilização de equipamento elétrico perto de um pacemaker pode causar interferências ou falhas no pacemaker.

⚠ AVISO: Para assegurar a segurança e bom funcionamento, todas as reparações e substituições deverão ser efetuadas por um técnico de reparação qualificado.

SÍMBOLOS DE SEGURANÇA

O objetivo dos símbolos de segurança é chamar a atenção para possíveis perigos. Os símbolos de segurança e as respectivas explicações apresentadas requerem a sua atenção e compreensão. Os avisos de segurança, só por si, não eliminam o perigo. As instruções e avisos dados não são substitutos para medidas de prevenção adequadas a acidentes.

⚠ AVISO: Certifique-se de que lê e compreende todas as instruções de segurança neste manual do utilizador, incluindo todos os símbolos de alerta de segurança, como **“PERIGO”, “AVISO”, e “CUIDADO”** antes de utilizar esta ferramenta. Não seguir todas as instruções apresentadas abaixo pode resultar em choque elétrico, incêndio e/ou lesões graves.

SIGNIFICADO DOS SÍMBOLOS

SÍMBOLO DE ALERTA DE SEGURANÇA: Indica PERIGO, AVISO ou CUIDADO. Pode ser usado juntamente com outros símbolos ou imagens.



⚠ AVISO: O funcionamento de qualquer ferramenta elétrica pode dar origem ao ressalto de quaisquer objetos estranhos que podem atingir os olhos, podendo dar origem a sérias lesões oculares. Antes de começar a utilizar a ferramenta elétrica, utilize sempre óculos de segurança com proteções laterais e uma proteção completa para o rosto, quando necessário. Recomendamos a utilização de máscaras de segurança com visão panorâmica por cima dos óculos ou óculos de segurança padrão com proteção lateral.

INSTRUÇÕES DE SEGURANÇA

Esta página retrata e descreve os símbolos de segurança que podem aparecer neste produto. Leia, compreenda e siga todas as instruções na máquina antes de tentar montar e utilizar.

	Alerta de segurança	Precauções que envolvam a sua segurança.
	Leia o manual do utilizador	Para reduzir o risco de lesões, o utilizador tem de ler e compreender o manual do utilizador antes de utilizar este produto.
	Utilize proteção ocular	Utilize sempre óculos de segurança com proteção lateral e, se necessário, uma proteção completa do rosto, quando utilizar este produto.
	Utilize proteção auditiva	Utilize sempre proteção auditiva ao utilizar este produto.
	Diâmetro do fio	O diâmetro do fio de corte de nylon.
	Largura de corte	A largura máx. de corte do aparador de fio.
	Não exponha à chuva	Não utilizar à chuva ou deixar no exterior enquanto chove.
	Construção de classe II	Construção com isolamento duplo.
	Mantenha terceiros afastados	Certifique-se de que outras pessoas e animais permanecem a, pelo menos, 15 metros do aparador de fio durante a utilização.
	Mantenha terceiros afastados	Certifique-se de que outras pessoas e animais permanecem a, pelo menos, 15 metros do aparador de fio durante a utilização.
V	Volts	Tensão
A	Amperes	Corrente
Hz	Hertz	Frequência (ciclos por segundo)
W	Watt	Potência
min	Minutos	Tempo

	Corrente alternada	Tipo de corrente
	Corrente direta	Tipo ou característica da corrente
n_0	Velocidade sem carga	Velocidade de rotação, sem carga
... /min	Por minuto	Rotações por minuto

INSTRUÇÕES DE SEGURANÇA IMPORTANTES

⚠️ AVISO: Quando se utilizarem aparadores de fio, devem adotar-se sempre medidas de segurança básicas para reduzir o risco de incêndio, de descargas elétricas e de lesões pessoais, incluindo o seguinte:

LEIA ATENTAMENTE ANTES DE UTILIZAR

GUARDE PARA FUTURA REFERÊNCIA

⚠️ PERIGO: Não confie apenas no isolamento da ferramenta contra choques elétricos. Para reduzir o risco de eletrocussão, nunca utilize o aparelho perto de quaisquer fios ou cabos (eletricidade, etc.) que possam transportar corrente elétrica.

⚠️ CUIDADO: Utilize equipamento de proteção auditiva adequada durante a utilização. Em algumas condições e durações de utilização, o ruído proveniente deste produto pode contribuir para a perda de audição.

TREINO

- Leia estas instruções com atenção. Familiarize-se com todos os controles e com a utilização correcta da máquina.
- Nunca permita que pessoas que não estejam familiarizadas com as instruções ou crianças utilizem o aparelho. Os regulamentos locais podem restringir a idade do utilizador.
- Tenha em conta que o operador ou utilizador é o responsável por acidentes ou perigos que ocorram a outras pessoas ou à sua propriedade.

PREPARAÇÃO

- Nunca utilize o aparelho com pessoas, especialmente crianças ou animais por perto.
- Utilize sempre proteção ocular e calçado resistente enquanto utiliza a máquina.

FUNCIONAMENTO

- Us e a máquina apenas à luz do dia ou com boa luz artificial.

- Nunca utilize a máquina com proteções danificadas ou sem as proteções montadas.
- Ligue o motor apenas quando as mãos e pés estiverem afastados de meios de corte.
- Desligue sempre a máquina da alimentação (retire a ficha da tomada ou retire o dispositivo de desativação).
 - Sempre que deixa a máquina sem supervisão;
 - Antes de eliminar um bloqueio;
 - Antes de verificar, limpar ou trabalhar na máquina;
 - Após bater num objeto estranho;
 - Sempre que a máquina começa a vibrar anormalmente.
- Tenha cuidado para não se magoar nos pés nem nas mãos durante o corte.
- Certifique-se sempre de que as aberturas de ventilação são mantidas isentas de resíduos.

MANUTENÇÃO E ARMAZENAMENTO

- Desligue a máquina da alimentação (retire a ficha da tomada ou retire o dispositivo de desativação) antes de efetuar quaisquer trabalhos de manutenção ou de limpeza.
- Utilize apenas peças sobressalentes e acessórios recomendados pelo fabricante.
- Inspeccione e efetue a manutenção da máquina com regularidade. A máquina apenas deve ser reparada por um reparador autorizado.
- Quando não em uso, armazene a máquina fora do alcance das crianças.

AVISOS ADICIONAIS DE SEGURANÇA

- Evite ambientes perigosos. Não utilize o aparador em locais húmidos ou molhados.
- Desligue sempre o aparador de fio ou retire a bateria sempre que deixar o aparador sem supervisão.
- Não utilize à chuva.
- Mantenha as crianças afastadas. Todas as pessoas deverão ser mantidas afastadas da área de trabalho.
- Vista-se adequadamente. Não utilize roupa larga ou joias. Estas podem ficar presas em peças móveis. A utilização de luvas de borracha e calçado resistente é recomendada para trabalhos no exterior. Utilize uma proteção para segurar o cabelo comprido.
- Utilize óculos de segurança. Utilize sempre uma máscara ou máscara de pó se o funcionamento for poeirento.
- Utilize a ferramenta correta. Não utilize a ferramenta para outros trabalhos para além daqueles para que foi criada.

- Não force o aparador. Este fará um trabalho melhor e com menos probabilidades de lesões se for usado à taxa para que foi criado.
- Não se estique. Mantenha sempre a base e o equilíbrio adequados.
- Mantenha-se alerta e atento ao que está a fazer. Utilize o senso comum. Não utilize o aparador quando estiver cansado.
- Não utilize o aparador quando estiver sob a influência de álcool ou drogas.
- Mantenha as proteções no lugar e em bom estado de funcionamento.
- Armazene o aparador no interior. Quando não em uso, deverá guardá-lo no interior num local seco, alto ou trancado, com a bateria retirada e fora do alcance das crianças.
- Mantenha o aparador em bom estado. Mantenha o acessório de corte limpo para melhor desempenho e para reduzir o risco de lesões. Siga as instruções quanto à mudança de acessórios. Mantenha as pegas secas, limpas e sem óleo ou gordura.
- Verifique se existem peças danificadas. Antes de continuar a utilizar o aparador, uma proteção ou outra peça que esteja danificada deve ser cuidadosamente verificada, para determinar se irá funcionar adequadamente e desempenhar a sua suposta função. Verifique o alinhamento de peças móveis, ligação de peças móveis, fragmentação de peças, montagem e qualquer outra condição que possa afetar o seu funcionamento. Um protetor ou qualquer outra peça que esteja danificada deverá ser reparada adequadamente ou substituída por um centro de reparações autorizado, exceto se for indicado de outro modo neste manual de instruções.
- Limpe a área a cortar antes de cada utilização. Retire todos os objetos, como pedras, vidro partido, pregos, arames ou fios que possam ser atirados e ficar presos no acessório de corte. Certifique-se de que outras pessoas e animais são mantidos a, pelo menos, 15 metros de distância.
- Antes de utilizar a máquina e após qualquer impacto, verifique quaisquer sinais de desgaste ou dano e repare, conforme necessário.
- Segure sempre o aparador firmemente com as duas mãos nas pegas durante a utilização. Enrole os dedos em redor das pegas.
- Para evitar um arranque accidental, nunca transporte o aparador com o dedo no gatilho.
- Não utilize o aparador em atmosferas explosivas ou com produtos petrolíferos. Os motores nestes aparelhos costumam criar faíscas e estas podem incendiar os vapores.
- Danos no aparador: se bater num objeto estranho com o aparador ou se este ficar emaranhado, pare imediatamente o aparelho, retire a bateria, verifique se existem danos e leve o aparelho para ser reparado antes de tentar voltar a utilizá-lo. Não utilize com uma proteção ou bobinas partidas.
- Se o aparelho começar a vibrar anormalmente, desligue o motor, retire a bateria do aparador de fio e verifique imediatamente as causas. A vibração é normalmente um aviso de problemas. Uma cabeça solta pode vibrar, rachar, partir ou soltar-se do aparador, o que pode dar origem a lesões sérias ou fatais. Certifique-se de que o acessório de corte está devidamente fixado na respetiva posição. Se a cabeça se soltar após fixá-la, substitua-a imediatamente. Nunca utilize um aparador com um acessório de corte solto.
- Substitua imediatamente uma cabeça de corte rachada, danificada ou gasta, mesmo que o dano esteja limitado a rachas superficiais. Tais acessórios podem despedaçar-se a alta velocidade e causar lesões sérias ou até mesmo fatais.
- Verifique regularmente o acessório de corte durante a utilização ou imediatamente após reparar alguma alteração no comportamento de corte.
- Utilize apenas linhas (Ø2,0 mm) de polímero para aparadores autorizadas pela EGO™ e linhas para aparadores criadas para serem usadas com este aparelho. Apesar de alguns acessórios não autorizados poderem caber no aparador de fio da EGO™, eles podem ser extremamente perigosos e/ou danificar o aparelho.
- Para reduzir o risco de lesões sérias, nunca utilize fio de arame ou metal reforçado ou outro material em vez das linhas de corte de nylon. Os pedaços de arame podem partir-se e serem atirados a alta velocidade contra o operador ou terceiros.
- Para reduzir o risco de lesões devido à perda de controlo, nunca trabalhe em cima de uma escada ou noutro suporte inseguro. Nunca segure o acessório de corte acima da altura da cintura.
- Se ocorrerem situações que não sejam abrangidas por este manual, tenha cuidado e faça uso do bom senso. Contacte o centro de reparação da EGO para obter assistência.
- Não carregue a bateria à chuva ou em condições húmidas.
- Utilize apenas com baterias e carregadores listados em baixo:

BATERIA	CARREGADOR
BA1120E, BA2240E, BA2800, BA3360, BA4200	CH5500E, CH2100E

- A bateria tem de ser retirada do equipamento antes de ser eliminada.
- A bateria tem de ser eliminada de modo seguro.
- Não atire a bateria para o fogo. As células podem explodir. Verifique as normas locais quanto a possíveis instruções especiais de eliminação.
- Não abra, nem altere a bateria. O eletrólito libertado é corrosivo e pode causar lesões nos olhos ou pele. Pode ser tóxico se engolido.
- Tenha muito cuidado ao manusear as baterias, de modo a não colocá-las em curto-circuito com materiais condutores, como anéis, pulseiras e chaves. A bateria ou o condutor podem sobreaquecer e causar queimaduras.
- Quando fizer reparações, utilize apenas peças sobressalentes idênticas da EGO™. A utilização de outros acessórios pode aumentar o risco de lesões.
- As ferramentas que funcionam a bateria não têm de ser ligadas a uma tomada elétrica; assim, estão sempre em estado de funcionamento. Tenha cuidado com possíveis perigos quando o aparelho não estiver a funcionar. Tenha cuidado quando efetuar a manutenção ou reparações.
- Não lave com uma mangueira. Evite que entre água no motor e nas ligações elétricas.
- Guarde estas instruções. Consulte com frequência e utilize estas instruções para instruir outras pessoas sobre a forma de utilizar este equipamento. Se emprestar este aparelho, entregue também as instruções, para evitar uma má utilização do produto e possíveis lesões.
- Ao utilizar o equipamento, utilize sempre calçado resistente e calças compridas.
- Garanta que possui sempre uma base para os pés equilibrada em locais inclinados e que caminha, nunca corra.

GUARDE ESTAS INSTRUÇÕES!

ESPECIFICAÇÕES

Voltagem	56 V ---	
Velocidade sem carga	7000 /min	
Mecanismo de corte	Cabeça de choque	
Diâmetro da linha	Fio redondo de nylon AL0800 Ø2,0 mm	
Largura de corte	30 cm	
Peso (sem a bateria)	2,85 kg	
Nível de potência do som medido L_{WA}	90,76 dB(A) K=2,5 dB(A)	
Máxima nível da pressão do som no ouvido do operador L_{PA}	75,0 dB(A) K=2,5 dB(A)	
Nível de potência acústica garantido L_{WA} (medido de acordo com 2000/14/CE)	91 dB(A)	
Vibração a_h	Pega dianteira	3,279 m/s ² K=1,5 m/s ²
	Pega traseira	4,915 m/s ² K=1,5 m/s ²

- O valor total declarado da vibração foi medido de acordo com um método de teste padrão e pode ser usado para comparar duas ferramentas;
- O valor total declarado da vibração também pode ser usado numa avaliação preliminar da exposição.

AVISO: A emissão de vibrações durante a utilização da ferramenta elétrica pode diferir do valor declarado em que a ferramenta é usada. De modo a proteger o utilizador, este deverá utilizar luvas e proteção auditiva nas condições atuais de utilização.

LISTA DE PEÇAS

NOME DA PEÇA	QUANTIDADE
Aparador de fio	1
Proteção	1
Conjunto da pega dianteira	1
Chave hexagonal	1
Manual de funcionamento	1

DESCRIÇÃO

CONHEÇA O SEU APARADOR DE FIO (Fig. A)

1. Gatilho
2. Pega traseira
3. Alavanca de desbloqueio
4. Manga suave
5. Pega dianteira ajustável
6. Eixo
7. Proteção contra choques
8. Manipulo de choque
9. Cabeça de choque (cabeça de corte)
10. Proteção
11. Lâmina de corte do fio
12. Mecanismo de ejeção
13. Contactos elétricos
14. Aba
15. Botão de libertação de bateria

MONTAR

AVISO: Se quaisquer peças estiverem danificadas ou em falta não utilize este produto até as peças serem substituídas. Utilizar este produto com peças danificadas ou em falta pode dar origem a lesões pessoais sérias.

AVISO: Não tente modificar este produto nem criar acessórios que não sejam recomendados para utilizar com este aparador de fio. Qualquer alteração ou modificação é considerada uma má utilização e pode dar origem a perigos, que podem levar a possíveis lesões pessoais sérias.

AVISO: Para evitar um arranque acidental que possa causar lesões pessoais sérias, retire sempre a bateria do produto durante a montagem das peças.

MONTAGEM DA PROTEÇÃO (Fig. B, C e D)

AVISO: Utilize sempre luvas quando montar ou substituir a proteção. Tenha cuidado com a lâmina na proteção e proteja a sua mão contra cortes.

AVISO: Nunca utilize o aparelho sem a proteção bem colocada. A proteção tem de estar sempre no aparelho para proteger o utilizador! Quando a proteção estiver fixada, nunca tente retirá-la nem ajustá-la. Se tiver de a substituir, isso deverá ser efetuado por um técnico qualificado!

Coloque a cabeça do aparador voltada para cima, solte e retire os dois parafusos. Depois alinhe as abas guia com as ranhuras da estrutura, empurre a proteção para a posição e bloqueie-a com dois parafusos. Certifique-se de que a superfície interna da proteção fica virada para a cabeça do aparador.

MONTAR E AJUSTAR A PEGA DIANTEIRA

Empurre a pega dianteira na direção do eixo (Fig. F) e, depois, insira o bloco de fixação na ranhura da pega (Fig. G), monte a haste de fixação e bloqueie com a porca de asas (Fig. H). A sequência é apresentada na Fig. E. Por último, ajuste a posição da pega dianteira para que o seu braço dianteiro fique esticado, usando o aparador (Fig. I) e, depois, bloqueie a alavanca da haste de fixação (Fig. J).

Fig. E e I descrição das peças apresentada abaixo:

E-1	Pega dianteira	E-4	Porca de asas
E-2	Haste de fixação	I-1	Manga suave
E-3	Bloco de fixação	I-2	Etiqueta aviso

AVISO: A pega dianteira deve ser voltada para cima apontando para a parte superior da pega.

AVISO: Fixe apenas a pega dianteira à frente da manga suave no eixo.

AVISO: A ferramenta pode ser utilizada sem a pega dianteira fixada de forma fiável.

FUNCIONAMENTO

AVISO: Não deixe que a sua familiaridade com o produto o torne descuidado. Lembre-se, uma fração de segundo de desatenção é suficiente para infligir ferimentos graves.

AVISO: Utilize sempre proteções oculares com escudos laterais. Juntamente com proteção auditiva. O não cumprimento pode resultar na projeção de objetos para os olhos e outros possíveis ferimentos graves.

AVISO: Não utilize quaisquer ligações ou acessórios não recomendados pelo fabricante deste produto. O uso de ligações ou acessórios não recomendados pode resultar em ferimentos pessoais graves.

AVISO: Utilize o seu aparador de fio com a respetivo fio de corte para cortar relva e material semelhante.

AVISO: Para evitar a ligação acidental que pode provocar ferimentos pessoais graves, retire sempre a bateria da ferramenta quando montar peças, fizer ajustes, proceder à limpeza ou quando não em uso.

Pode utilizar este produto para os objetivos abaixo listados:

Aparar: usado para retirar relva e ervas daninhas encostadas a paredes, vedações, árvores e orlas.

Cortar: usado para cortar relva difícil de alcançar usando uma máquina de cortar relva normal.

AVISO: A ferramenta só deve ser utilizada para o seu propósito destinado. Qualquer outra utilização, por exemplo desbaste de sebes, será considerada má utilização.

FIXAR/RETIRAR A BATERIA

Carregue por completo antes da primeira utilização.

Para fixar (Fig. K)

Alinhe as abas da bateria com as ranhuras de fixação e empurre a bateria para baixo até ouvir um “clique”.

Para retirar (Fig. L)

AVISO: Tenha sempre cuidado com os seus pés, com crianças e animais perto de si quando premir o botão de libertação da bateria. Se a bateria cair, podem ocorrer lesões sérias. NUNCA retire a bateria num local elevado.

Prima o botão de libertação da bateria e puxe a bateria para fora.

SEGURAR O APARADOR DE FIO

AVISO: Vista-se adequadamente para reduzir o risco de lesões quando utilizar este aparelho. Não utilize roupa larga ou joias. Utilize proteções oculares e auditivas. Utilize calças compridas e resistentes, botas e luvas. Não utilize roupa curta, sandálias nem ande descalço.

Antes de colocar em funcionamento, segure o aparador com ambas as mãos, com uma mão na pega traseira e a outra na pega dianteira esticadas (Fig. M). Depois verifique se existe equilíbrio e uma distância de corte apropriada.

LIGAR/PARAR O APARADOR DE FIO (Fig. N)

Para ligar

Prima a alavanca de bloqueio para baixo e mantenha-a nessa posição. Prima o gatilho para ligar o aparador de fio.

Para parar

Solte a alavanca de bloqueio e o gatilho.

AVISO: Retire sempre a bateria do aparador de fio nas pausas de trabalho e após conclusão de um trabalho.

UTILIZAR O APARADOR DE FIO

AVISO: Para evitar lesões pessoais sérias, utilize sempre óculos de segurança quando utilizar este aparelho. Utilize uma máscara para o rosto ou máscara do pó em locais poeirentos.

Limpe a área a cortar antes de cada utilização. Retire todos os objetos, como pedras, vidro partido, pregos, arames ou fios que possam ser atirados ou ficar presos no acessório de corte. Afaste as crianças, terceiros e animais. No mínimo, mantenha as crianças, terceiros e animais a um raio de 15 metros. Poderá continuar a haver um risco para as pessoas devido aos objetos que possam ser atirados. Quaisquer terceiros deverão ser encorajados a utilizar proteção ocular. Se alguém se aproximar, desligue imediatamente o motor e o acessório de corte.

Antes de cada utilização, verifique se existem peças gastas/danificadas.

Verifique a cabeça de choque, proteção, pega dianteira e substitua as peças rachadas, torcidas, dobradas ou danificadas de algum modo.

Esta lâmina para cortar o fio na extremidade da proteção pode deixar de ficar afiada com o passar do tempo. Recomendamos que afie periodicamente com uma lima ou que a substitua por uma lâmina nova.

AVISO: Utilize sempre luvas quando montar a proteção ou afiar ou substituir a lâmina. Tenha cuidado com a lâmina na proteção e proteja a sua mão contra cortes.

Após cada utilização, limpe o aparador.

- Utilize apenas detergente neutro e um pano humedecido para limpar o aparelho. Nunca permita que entrem líquidos no aparelho e nunca coloque qualquer parte do aparelho dentro de qualquer líquido.
- Mantenha sempre as entradas de ar da estrutura do motor e eixo sem resíduos (Fig. O).

Fig. O descrição das peças apresentada abaixo:

0-1	Entradas de ar no eixo
0-2	Entradas de ar na estrutura do motor

AVISO: As obstruções nas aberturas de ventilação impedem que o ar flua para a estrutura do motor, dando origem a um sobreaquecimento ou danos no motor.

AVISO: Nunca utilize água para limpar o seu equipamento. Evite utilizar solventes quando limpa peças plásticas. Os plásticos são mais suscetíveis a danos de vários tipos de solventes comerciais. Utilize panos de limpeza para retirar sujidades, pó, óleo, gordura, etc.

AJUSTAR O COMPRIMENTO DO FIO DE CORTE

A cabeça de choque permite ao operador libertar mais fio de corte sem parar o motor. À medida que o fio fica gasto, pode libertar mais fio, batendo ligeiramente o manípulo de corte no chão enquanto utiliza o aparador (Fig. P).

Para melhores resultados, bata com o manípulo de choque no chão duro. Se tentar libertar fio em relva comprida, o motor pode sobreaquecer. Mantenha sempre o fio de corte completamente esticado. A libertação do fio fica mais difícil à medida que o fio de corte fica mais curto.

AVISO: Não retire nem altere o conjunto da lâmina de corte do fio. Um fio com um comprimento excessivo faz o motor sobreaquecer e pode dar origem a lesões pessoais sérias.

TRABALHAR COM A PROTEÇÃO CONTRA CHOQUES

A proteção contra choques pode limitar o alcance de corte do fio de corte e reduzir o risco do fio de corte rotativo causar danos (Fig. Q).

Para utilizar a proteção contra choques, vire para baixo a partir da sua posição de armazenamento (Fig. R).

AVISO: A cabeça de choque pode continuar a rodar brevemente após desligar o aparador de fio. Espere que a cabeça de choque pare por completo antes de ajustar a proteção contra choques. Não ajuste com o pé.

SUBSTITUIÇÃO DO FIO

AVISO: Utilize sempre fio de corte de nylon padrão com diâmetro máximo de Ø2,0 mm.

AVISO: Nunca utilize fio reforçado com metal, arame, corda, etc. Estes podem partir e tornar-se projéteis perigosos.

Existem dois métodos para substituir o fio de corte:

1. Enrole a bobina com o fio novo.
2. Instale a bobina pré-enrolada (AS1301, se necessário, disponível junto do revendedor).

Enrolar um fio novo na bobina

Prima as duas abas de libertação na base da bobina e retire o fixador da bobina (Fig. S). Pegue em cerca de 7m de fio de corte novo. Dobre e enrole-a na bobina como apresentado na Fig. T e U. Depois, coloque a terminação do fio pelos dois entalhes opostos na bobina (Fig. V) e coloque a bobina no respetivo fixador com os entalhes alinhados com os olhais do fixador (Fig. W). Por fim, alinhe as ranhuras do fixador com as abas na base da bobina e prima o fixador de forma uniforme, certificando-se que encaixa em posição (Fig. X).

AVISO: Limpe sempre o fixador da bobina, bobina e base da bobina antes de voltar a montar a cabeça do aparador. Verifique o fixador da bobina, bobina e base da bobina quanto a desgaste. Se for necessário, substitua as peças gastas.

AVISO: Não enrolar o fio na direção indicada faz com que a cabeça do aparador funcione incorretamente.

Instalar uma bobina pré-enrolada

Prima as duas abas de libertação na base da bobina e retire o fixador da bobina (Fig. S). Depois, coloque uma bobina pré-enrolada no fixador com os entalhes alinhados com os olhais do fixador (Fig. W). Por fim, alinhe as ranhuras do fixador com as abas na base da bobina e prima o fixador de forma uniforme, certificando-se que encaixa em posição (Fig. X).

Fig. W e X descrição das peças apresentada abaixo:

W-1	Entalhe	X-1	Separador
W-2	Olhal	X-2	Ranhura

AVISO: Certifique-se de que as abas na base da bobina ficam fixadas no respetivo lugar ou a bobina sai durante o funcionamento.

MANUTENÇÃO

AVISO: Quando fizer reparações, utilize apenas peças sobressalentes idênticas. Inspeccione e efetue a manutenção da máquina com regularidade. Para assegurar a segurança e bom funcionamento, todas as reparações deverão ser efetuadas por um técnico de reparação qualificado.

AVISO: As baterias não têm de ser ligadas a uma tomada. Assim, estão sempre em estado de funcionamento. Para evitar lesões pessoais sérias, tenha muito cuidado quando efectuar a manutenção, reparação ou mudança do acessório de corte ou de outros acessórios.

AVISO: Para evitar lesões pessoais sérias, retire a bateria do aparelho antes da reparação, limpeza, mudança de acessórios ou remoção de material da unidade.

LIMPEZA DA UNIDADE

- Limpe a unidade usando um pano humedecido com detergente suave.

- Não utilize detergentes fortes na estrutura de plástico ou na pega. Estes podem ser danificados por determinados óleos aromáticos, como pinho e limão e por solventes como querosene. A humidade também pode causar um perigo de choque. Retire qualquer vestígio de humidade com uma pano macio e seco.
- Utilize uma pequena escova ou a descarga de ar de uma pequena escova aspiradora para desobstruir as entradas de ar na estrutura traseira.

GUARDAR A UNIDADE

- Retire a bateria do aparador de fio quando não o utilizar.
- Limpe bem o aparelho antes de o guardar.
- Armazene a unidade num local seco, bem ventilado, trancado ou elevado, fora do alcance das crianças. Não armazene a unidade em cima ou perto de fertilizantes, gasolina ou outros químicos.

Proteção do ambiente



Não elimine o equipamento elétrico, o carregador da bateria e as baterias/ baterias recarregáveis juntamente com o lixo doméstico comum!

De acordo com a norma europeia 2002/19/UE, o equipamento elétrico e eletrónico que deixe de ser usado e de acordo com a norma europeia 2006/66/CE, as baterias gastas ou defeituosas têm de ser recolhidas em separado.

Se os equipamentos elétricos forem eliminados em aterros ou lixeiras, substâncias perigosas podem vaziar para os lençóis freáticos e entrar na cadeia de alimentação, danificando a sua saúde e bem-estar.

DECLARAÇÃO DE CONFORMIDADE CE

Nós, EGO EUROPE GMBH

Wahlwiesenstrasse 1, D-71711 Steinheim an der Murr
Deutschland

Declaramos que o produto **aparador de fio sem fios de ião e lítio de 56V ST1210E** se encontra em conformidade com os requisitos essenciais de saúde e segurança das seguintes Diretivas:

2006/42/CE, 2014/30/EU, 2011/65/EU, 2000/14/CE

Normas e características técnicas relativas a:

EN 60335-1, EN 50636-2-91, EN 55014-1, EN 55014-2

Nível de potência do som medido: 90,76 dB(A).

Nível de potência de som garantido: 91 dB(A).

O processo de avaliação de conformidade do Anexo VI é seguido de acordo com a norma 2000/14/CE.

Organismo notificado: Société Nationale de Certification et d'Homologation

Número do organismo notificado: 0499

Peter Melrose
Administrador da EGO Europe GmbH

Dong Jianxun
Gestor de Qualidade da Chervon

* (Representante autorizado da CHERVON e responsável pela documentação técnica)

01/09/2016

RESOLUÇÃO DE PROBLEMAS**PT**

PROBLEMA	CAUSA	SOLUÇÃO
O aparador de fio não pega.	<ul style="list-style-type: none">■ A bateria não foi colocada no aparador de fio.■ Não existe contacto elétrico entre o aparador e a bateria.■ A bateria está gasta.■ A alavanca de bloqueio e o gatilho não foram premidos em simultâneo.	<ul style="list-style-type: none">■ Fixe a bateria no aparador.■ Retire a bateria, verifique os contactos e volte a instalar a bateria.■ Carregue a bateria.■ Prima a alavanca de bloqueio e mantenha premida, depois prima o gatilho para ligar o aparador de fio.
O aparador de fio para durante o corte.	<ul style="list-style-type: none">■ A proteção não está montada no aparador, fazendo com que haja um fio excessivamente comprido e o sobreaquecimento do motor.■ Está a utilizar um fio de corte muito pesado.■ O eixo do motor ou a cabeça do aparador estão cheios de relva.■ O motor está sobrecarregado. ■ A bateria ou aparador de fio estão muito quentes.■ A bateria foi retirada da ferramenta.■ A bateria está gasta.	<ul style="list-style-type: none">■ Retire a bateria e monte a proteção no aparador. ■ Utilize apenas com um fio de corte de nylon com 2,0 mm de diâmetro ou menos.■ Pare o aparador, retire a bateria e retire a relva do eixo do motor e da cabeça do aparador.■ Retire a cabeça do aparador da relva. O motor volta a funcionar mal a carga seja retirada. Quando cortar, mova a cabeça do aparador para um lado e para o outro na relva a ser cortada e nunca retire mais de 20 cm num único corte.■ Deixe a bateria ou aparador arrefecer até que a temperatura atinja menos de 67 °C.■ Volte a colocar a bateria. ■ Carregue a bateria.

PROBLEMA	CAUSA	SOLUÇÃO
A cabeça do aparador não faz o fio avançar.	<ul style="list-style-type: none"> ■ O eixo do motor ou a cabeça do aparador estão cheios de relva. ■ Não tem fio suficiente na bobina. ■ A cabeça do aparador está suja. ■ O fio ficou enroscado na bobina. ■ O fio é demasiado curto. 	<ul style="list-style-type: none"> ■ Pare o aparador, retire a bateria e retire a relva do eixo do motor e da cabeça do aparador. ■ Retire a bateria e substitua o fio de corte. Siga a secção "SUBSTITUIÇÃO DO FIO" neste manual. ■ Retire a bateria e limpe a bobina, fixador da bobina e base da bobina. ■ Retire a bateria, retire o fio da bobina e enrolle. Siga a secção "SUBSTITUIÇÃO DO FIO" neste manual. ■ Retire a bateria e puxe as linhas enquanto prime alternadamente e liberta o manípulo de choque.
A relva enrola-se à volta da cabeça do aparador e da estrutura do motor..	<ul style="list-style-type: none"> ■ Cortar relva alta ao nível do solo. 	<ul style="list-style-type: none"> ■ Corte relva alta do topo até baixo, nunca retirando mais de 20 cm em cada passo para evitar que a erva se enrolle.
O fio não está a cortar bem.	<ul style="list-style-type: none"> ■ A lâmina de corte do fio na extremidade da protecção deixou de estar afiada. 	<ul style="list-style-type: none"> ■ Afie a lâmina de corte do fio com uma lima ou substitua por uma lâmina nova.

GARANTIA

POLÍTICA DE GARANTIA EGO

Por favor, visite o website egopowerplus.com para saber todos os termos e condições da política de garantia EGO.

LEGGERE TUTTE LE ISTRUZIONI!



**LEGGERE E COMPRENDERE
LE ISTRUZIONI**

⚠️ Rischi residui! Le persone portatrici di dispositivi elettronici, ad esempio pacemaker, devono consultare il proprio medico prima di usare questo prodotto. L'utilizzo di apparecchi elettrici in prossimità di pacemaker cardiaci comporta il rischio di interferenze o malfunzionamento del pacemaker.

⚠️ AVVERTENZA! Per garantire sicurezza e affidabilità, tutte le riparazioni e sostituzioni devono essere eseguite da un tecnico qualificato.

SIMBOLI DI SICUREZZA

Lo scopo dei simboli di sicurezza è attirare l'attenzione dell'operatore su possibili pericoli. I simboli di sicurezza e le relative spiegazioni richiedono la massima attenzione e comprensione da parte dell'operatore. Le avvertenze espresse dai simboli, da sole, non eliminano tutti i rischi. Le istruzioni e le avvertenze non sostituiscono le adeguate misure di prevenzione contro gli incidenti.

⚠️ AVVERTENZA! Accertarsi di aver letto e compreso tutte le istruzioni di sicurezza in questo manuale, inclusi tutti i simboli di avvertenza come **"PERICOLO"**, **"AVVERTENZA"** e **"ATTENZIONE"**, prima di usare questo apparecchio. Il mancato rispetto di tutte le istruzioni elencate di seguito comporta il rischio di scossa elettrica, incendio e/o lesioni gravi.

SIGNIFICATO DEI SIMBOLI

AVVERTENZA DI SICUREZZA: Indica PERICOLO, AVVERTENZA o ATTENZIONE. Può essere usato in combinazione con altri simboli.



⚠️ AVVERTENZA! L'uso di apparecchi elettrici può causare il lancio di oggetti estranei verso l'operatore, con il rischio di gravi lesioni agli occhi. Durante l'uso dell'apparecchio, indossare sempre occhiali protettivi o occhiali di sicurezza con protezioni laterali e, se necessario, una maschera facciale. Si consiglia di indossare una maschera di sicurezza con ampio campo visivo sopra gli occhiali o gli occhiali di sicurezza standard con protezioni laterali.

ISTRUZIONI DI SICUREZZA

Questa pagina illustra e descrive i simboli di sicurezza che possono comparire sul prodotto. Leggere, comprendere e seguire tutte le istruzioni sull'apparecchio prima di tentare di assemblarlo e ripararlo.

	Avvertenza di sicurezza	Precauzioni relative alla sicurezza dell'operatore.
	Leggere il manuale di istruzioni	Per ridurre il rischio di infortunio, l'utente deve leggere e comprendere tutte le istruzioni prima di usare questo prodotto.
	Indossare protezioni per gli occhi	Durante l'uso del prodotto, indossare sempre occhiali protettivi o occhiali di sicurezza con protezioni laterali e una maschera facciale.
	Indossare protezioni per le orecchie	Durante l'uso del prodotto, indossare sempre protezioni per le orecchie.
	Diametro filo	Diametro del filo di taglio in nylon
	Ampiezza di taglio	Ampiezza di taglio max. del decespugliatore
	Non esporre alla pioggia	Non usare l'apparecchio in caso di pioggia e non lasciarlo all'aperto quando piove.
	Apparecchio di classe II	Apparecchio dotato di doppio isolamento.
	Tenere lontane le altre persone	Assicurarsi che eventuali altre persone e animali rimangano ad almeno 15m di distanza dall'apparecchio quando è in funzione.
	Tenere lontane le altre persone	Assicurarsi che eventuali altre persone e animali rimangano ad almeno 15m di distanza dall'apparecchio quando è in funzione.
V	Volts	Voltaggio
A	Ampere	Corrente
Hz	Hertz	Frequenza (cicli al secondo)

W	Watt	Potenza
min	Minuti	Tempo
	Corrente alternata	Tipo di corrente
	Corrente continua	Tipo o caratteristica della corrente
n_0	Velocità a vuoto	Velocità di rotazione, senza carico
.../min	Al minuto	Rotazioni al minuto

ISTRUZIONI DI SICUREZZA IMPORTANTI

⚠ AVVERTENZA! Durante l'uso del decespugliatore è necessario rispettare alcune elementari norme di sicurezza per ridurre il rischio di incendio, scossa elettrica e infortunio, tra cui le seguenti:

LEGGERE ATTENTAMENTE PRIMA DELL'USO.

CONSERVARE PER RIFERIMENTO FUTURO.

⚠ PERICOLO! Non affidarsi esclusivamente all'isolamento dell'apparecchio contro le scosse elettriche. Per ridurre il rischio di folgorazione, non usare mai l'apparecchio in prossimità di fili o cavi (alimentazione, ecc.) che possono condurre corrente elettrica.

⚠ ATTENZIONE! Indossare adeguati dispositivi di protezione per le orecchie durante l'uso. In alcune circostanze e a seconda della durata di utilizzo, il rumore emesso da questo apparecchio può contribuire alla perdita dell'udito.

FORMAZIONE ALL'USO DELL'APPARECCHIO

- Leggere attentamente le istruzioni. Familiarizzare con tutti i comandi e l'uso corretto della macchina.
- Non fare mai utilizzare l'apparecchio a bambini o a persone che non conoscono bene come fare funzionare l'apparecchio. Normative locali possono limitare l'uso in base all'età.
- Tenere presente che l'operatore o utente è responsabile per incidenti o rischi causati ad altre persone o proprietà.

PREPARAZIONE

- Non azionare mai l'apparecchio se sono presenti persone, soprattutto bambini, o animali nelle vicinanze.
- Indossare sempre dispositivi di protezione per gli occhi e scarpe robuste durante l'uso dell'apparecchio.

FUNZIONAMENTO

- Usare l'apparecchio solo alla luce del giorno o con una buona illuminazione artificiale.
- Non usare l'apparecchio se la cuffia di protezione o altri dispositivi di sicurezza sono danneggiati o mancanti.
- Accendere il motore esclusivamente quando mani e piedi sono lontani dall'accessorio di taglio.
- Scollegare sempre l'apparecchio dalla fonte di alimentazione (ovvero estrarre la spina dalla presa di corrente o rimuovere il gruppo batteria):
 - prima di lasciare l'apparecchio incustodito;
 - prima di eliminare un'ostruzione;
 - prima di controllare, pulire o eseguire lavori sull'apparecchio;
 - dopo aver urtato un oggetto estraneo;
 - se l'apparecchio comincia a vibrare in modo anomalo.
- Fare attenzione a evitare lesioni a mani e piedi dovute all'accessorio di taglio.
- Verificare sempre che le aperture di ventilazione siano prive di detriti.

MANUTENZIONE E CONSERVAZIONE

- Scollegare sempre l'apparecchio dalla fonte di alimentazione (ovvero estrarre la spina dalla presa di corrente o rimuovere il gruppo batteria) prima di effettuare qualsiasi operazione di manutenzione o pulizia.
- Usare esclusivamente accessori e parti di ricambio originali.
- Ispezionare l'apparecchio ed effettuare la manutenzione regolarmente. Affidare eventuali riparazioni dell'apparecchio esclusivamente a tecnici autorizzati.
- Quando non è in uso, riporre l'apparecchio fuori dalla portata dei bambini.

AVVERTENZE DI SICUREZZA AGGIUNTIVE

- Evitare gli ambienti pericolosi - Non usare il decespugliatore in ambienti umidi o bagnati.
- Spegnerne sempre il decespugliatore o rimuovere il gruppo batteria prima di lasciare il decespugliatore incustodito.
- Non usare l'apparecchio sotto la pioggia.
- Tenere i bambini a distanza - Eventuali altre persone devono rimanere lontane dall'area di lavoro.
- Vestirsi adeguatamente - Non indossare indumenti ampi o gioielli perché possono impigliarsi nelle parti in movimento. Si raccomanda l'uso di guanti in gomma e calzature robuste durante i lavori all'aperto. Indossare un copricapo per raccogliere i capelli lunghi.

- Indossare occhiali di sicurezza - Usare sempre una maschera facciale o antipolvere se l'ambiente è polveroso.
- Usare l'apparecchio appropriato - Non usare l'apparecchio per scopi diversi da quelli per cui è progettato.
- Non forzare il decespugliatore - Sarà più efficace e sicuro se usato al regime per cui è stato progettato.
- Non allungarsi eccessivamente - Tenere i piedi a contatto con il pavimento e mantenere sempre l'equilibrio.
- Rimanere vigili - Prestare attenzione al lavoro che si sta effettuando. Usare il buon senso. Non usare il decespugliatore se si è stanchi.
- Non usare il decespugliatore se si è sotto l'effetto di droghe o alcol.
- Mantenere la cuffia di protezione dell'apparecchio installata e in buono stato.
- Conservare il decespugliatore in interni - Quando non è in uso, conservare il decespugliatore in interni, in un luogo asciutto e elevato o chiuso a chiave, privo di batteria e fuori dalla portata dei bambini.
- Mantenere il decespugliatore in buono stato - Mantenere pulito l'accessorio di taglio per ottimizzare le prestazioni e ridurre il rischio di infortunio. Seguire le istruzioni relative alla sostituzione degli accessori. Tenere le impugnature asciutte, pulite e prive di olio e grasso.
- Verificare l'assenza di componenti danneggiati - Se la cuffia di protezione o un altro componente ha subito danni, ispezionarlo con attenzione per verificare che funzioni correttamente prima di usare nuovamente il decespugliatore. Verificare che le parti mobili non siano disallineate o piegate, che il telaio e i componenti non siano danneggiati e che non siano presenti altre condizioni suscettibili di compromettere il funzionamento del tagliasepi. Se un dispositivo di protezione o un componente è danneggiato, deve essere riparato o sostituito da un centro di assistenza autorizzato, tranne se altrimenti specificato in questo manuale.
- Sgombrare l'area da tagliare prima di ogni utilizzo. Rimuovere oggetti come pietre, vetri rotti, chiodi, cavi o corde perché potrebbero venire lanciati o impigliarsi nell'accessorio di taglio. Tenere eventuali altre persone e animali ad almeno 15 metri di distanza.
- Prima di usare l'apparecchio e dopo qualsiasi urto, verificare l'assenza di segni di usura o rottura e procedere alla riparazione se necessario.
- Durante l'uso del decespugliatore, tenerlo sempre saldamente con entrambe le mani sull'impugnatura. Avvolgere le dita e i pollici intorno alle impugnature.
- Evitare l'avvio accidentale - Non trasportare il decespugliatore con il dito sull'interruttore.
- Non usare il decespugliatore in atmosfere esplosive o in presenza di benzina. Il motore di questo apparecchio genera scintille che possono dare fuoco ai vapori infiammabili.
- Danni all'apparecchio - Se il decespugliatore urta un oggetto estraneo o se rimane incastrato, spegnere immediatamente l'apparecchio, rimuovere il gruppo batteria, verificare l'assenza di danni o procedere alla riparazione prima di usarlo nuovamente. Non usare il decespugliatore se un dispositivo di sicurezza o la bobina sono danneggiati.
- Se l'apparecchio inizia a vibrare in modo anomalo, arrestare il motore, rimuovere il gruppo batteria e individuare immediatamente la causa. La vibrazione è generalmente sintomo di un problema: Se è allentata, la testa di taglio può vibrare, incrinarsi, rompersi o staccarsi dal decespugliatore, comportando il rischio di lesioni gravi o mortali. Verificare che l'accessorio di taglio sia fissato correttamente. Se la testa di taglio si allenta dopo averla fissata, sostituirla immediatamente. Non usare mai il decespugliatore se l'accessorio di taglio è allentato.
- Sostituire immediatamente la testa di taglio se è incrinata, danneggiata o usurata, anche se il danno è limitato a incrinature superficiali. Ad alta velocità, gli accessori di taglio possono frantumarsi e causare lesioni gravi o mortali.
- Ispezionare l'accessorio di taglio a brevi e regolari intervalli durante l'uso o immediatamente dopo aver rilevato un evidente cambiamento nell'efficienza di taglio.
- Usare esclusivamente bobine (Ø2,0 mm) di filo sintetico autorizzate EGO™ e bobine di filo progettate per l'uso con questo apparecchio. Anche se alcuni accessori non autorizzati possono adattarsi al decespugliatore EGO™, il loro utilizzo può essere estremamente pericoloso e/o dannoso per l'apparecchio.
- Per ridurre il rischio di lesioni gravi, non usare mai filo metallico, rinforzato in metallo o in altri materiali in sostituzione del filo di taglio in nylon. Pezzi di filo metallico possono rompersi e venire lanciati ad alta velocità verso l'operatore o altre persone presenti.
- Per ridurre il rischio di infortunio dovuto a perdite di controllo, non lavorare mai su scale o su altri supporti instabili. Non tenere mai l'accessorio di taglio sopra l'altezza della vita.
- In caso di situazioni non contemplate in questo manuale, agire con cautela e usare il buon senso. Contattare il centro di assistenza EGO per assistenza.

- Non ricaricare il gruppo batteria sotto la pioggia o in luoghi umidi.
- Usare il decespugliatore esclusivamente con i gruppi batteria e caricabatteria elencati di seguito.

BATTERIA	CARICABATTERIA
BA1 120E, BA2240E, BA2800, BA3360, BA4200	CH5500E, CH2100E

- Il gruppo batteria deve essere rimosso dall'apparecchio prima che sia smaltito.
- La batteria deve essere smaltita in modo sicuro.
- Non gettare la batteria nel fuoco perché le celle potrebbero esplodere. Contattare le autorità locali per eventuali istruzioni di smaltimento specifiche.
- Non aprire o mutilare la batteria. Gli elettroliti rilasciati sono corrosivi e possono danneggiare gli occhi o la pelle o essere tossici se ingeriti.
- Prestare attenzione durante la manipolazione delle batterie per evitare il contatto con materiali conduttivi come anelli, bracciale e chiavi. La batteria o il conduttore possono surriscaldarsi e causare ustioni.
- Durante la riparazione, usare esclusivamente parti di ricambio EGO™ identiche. L'uso di altri accessori aumenta il rischio di infortunio.
- Gli apparecchi a batteria non hanno bisogno di essere collegati a un impianto elettrico; pertanto sono sempre in condizioni operative. Tenere a mente i possibili rischi anche quando l'apparecchio non è in funzione. Prestare attenzione durante le operazioni di manutenzione o riparazione.
- Non pulire l'apparecchio con tubi per innaffiare; evitare le infiltrazioni d'acqua nel motore e nelle connessioni elettriche.
- Conservare queste istruzioni. Consultarle frequentemente e usarle per istruire gli altri utenti dell'apparecchio. Se si presta questo apparecchio ad altre persone, allegare anche queste istruzioni per evitare l'uso errato dell'apparecchio e il rischio di infortunio.
- Durante l'uso dell'apparecchio, indossare sempre scarpe robuste e pantaloni lunghi.
- Mantenere sempre i piedi a contatto con il terreno sulle pendenze; camminare e non correre.

CONSERVARE QUESTE ISTRUZIONI!

SPECIFICHE TECNICHE

Voltaggio	56 V	
Giri a vuoto	7000 /min	
Meccanismo di taglio	Testa di taglio	
Tipo di filo di taglio	Filo rotondo in nylon AL0800 Ø2,0 mm	
Ampiezza di taglio	30 cm	
Peso (senza gruppo batteria)	2,85 kg	
Livello di potenza sonora misurato L_{WA}	90,76 dB(A)	
Massimo livello di pressione sonora a livello dell'orecchio dell'operatore L_{PA}	75,0 dB(A) K=2,5 dB(A)	
Livello di potenza sonora garantito L_{WA} (misurato conformemente a 2000/14/EC)	91 dB(A) K=2,5 dB(A)	
Vibrazioni a_h	Impugnatura anteriore ausiliaria	3,279 m/s ² K=1,5 m/s ²
	Impugnatura posteriore	4,915 m/s ² K=1,5 m/s ²

- Il valore totale di vibrazioni indicato è stato misurato tramite il metodo di collaudo standard e può essere utilizzato per confrontare l'apparecchio con altri prodotti analoghi.
- Il valore totale di vibrazioni indicato può essere utilizzato anche per una valutazione preliminare dei livelli di esposizione.

NOTA: L'emissione di vibrazioni durante l'uso effettivo dell'apparecchio può variare rispetto al valore indicato in base a come viene utilizzato l'utensile. Per proteggersi, l'operatore deve indossare guanti e dispositivi di protezione per le orecchie in base alle reali condizioni d'uso.

CONTENUTO DELLA CONFEZIONE

DENOMINAZIONE DEL COMPONENTE	QUANTITÀ
Decespugliatore	1
Cuffia di protezione	1
Gruppo impugnatura anteriore ausiliaria	1
Chiave esagonale	1
Manuale di istruzioni	1

DESCRIZIONE

DESCRIZIONE DEL DECESPUGLIATORE (Fig. A)

1. Interruttore a grilletto
2. Impugnatura posteriore
3. Leva di sbloccaggio
4. Impugnatura morbida
5. Impugnatura anteriore ausiliaria regolabile
6. Albero
7. Protezione per piante
8. Pulsante di rilascio del filo
9. Testa del decespugliatore (testa di taglio)
10. Cuffia di protezione
11. Lama del filo di taglio
12. Meccanismo di espulsione
13. Contatti elettrici
14. Dispositivo di chiusura
15. Pulsante di rilascio della batteria

IT

ASSEMBLAGGIO

AVVERTENZA! In caso di componenti danneggiati o mancanti, non usare l'apparecchio finché i componenti non vengono sostituiti. L'uso dell'apparecchio con componenti danneggiati o mancanti comporta il rischio di lesioni gravi.

AVVERTENZA! Non tentare di modificare l'apparecchio o creare accessori non raccomandati per l'uso con questo decespugliatore. Tali alterazioni o modifiche costituiscono un uso improprio e comportano condizioni pericolose e il rischio di lesioni gravi.

AVVERTENZA! Per evitare l'avvio accidentale e il conseguente rischio di lesioni gravi, rimuovere sempre il gruppo batteria dall'apparecchio durante l'assemblaggio dei componenti.

ASSEMBLARE LA CUFFIA DI PROTEZIONE (Fig. B, C e D)

AVVERTENZA! Indossare sempre i guanti durante l'installazione o la sostituzione della cuffia di protezione. Fare attenzione alla lama sulla cuffia di protezione e proteggere le mani dal rischio di lesioni.

AVVERTENZA! Non usare l'apparecchio se la cuffia di protezione non è posizionata correttamente e saldamente. La cuffia di protezione deve essere sempre installata per proteggere l'operatore! Dopo aver fissato la cuffia di protezione, non tentare mai di rimuoverla o regolarla. Se è necessario sostituirla, affidare l'operazione a un tecnico qualificato!

Rivolgere la testa del decespugliatore verso l'alto, allentare e rimuovere le due viti. Allineare i rilievi di guida con le scanalature sull'unità, spingere la cuffia in posizione e bloccarla con le due viti. Accertarsi che la superficie interna della cuffia di protezione sia rivolta verso la testa del decespugliatore.

INSTALLAZIONE E REGOLAZIONE DELL'IMPUGNATURA ANTERIORE AUSILIARIA

Spingere l'impugnatura anteriore ausiliaria sull'albero (Fig. F), inserire il morsetto sulla scanalatura dell'impugnatura (Fig. G), installare il perno di bloccaggio e bloccarli con il dado a farfalla (Fig. H). La sequenza è illustrata in Fig. E. Infine regolare la posizione dell'impugnatura anteriore ausiliaria affinché il proprio braccio anteriore sia dritto durante l'uso del decespugliatore (Fig. I), quindi bloccare la leva del perno di bloccaggio (Fig. J).

Descrizione delle parti in Fig. E e I:

E-1	Impugnatura anteriore ausiliaria	E-4	Dado a farfalla
E-2	Perno di bloccaggio	I-1	Impugnatura morbida
E-3	Morsetto	I-2	Etichetta di avvertenza

NOTA: l'impugnatura anteriore ausiliaria deve essere ruotata verso l'alto affinché punti verso la parte superiore dell'impugnatura.

AVVERTENZA! Fissare l'impugnatura anteriore ausiliaria esclusivamente davanti al rivestimento morbido sull'albero.

AVVERTENZA! L'apparecchio non può essere usato senza l'impugnatura anteriore ausiliaria fissata saldamente.

FUNZIONAMENTO

AVVERTENZA! La familiarità con questo apparecchio non deve rendere l'operatore disattento. Anche un solo momento di disattenzione comporta il rischio di lesioni gravi.

AVVERTENZA! Indossare sempre occhiali di sicurezza con protezioni laterali. Indossare anche protezioni per le orecchie. Il mancato rispetto di questa istruzione comporta il rischio di oggetti proiettati verso gli occhi dell'operatore e altre lesioni gravi.

AVVERTENZA! Non usare accessori non raccomandati dal costruttore dell'apparecchio. L'uso di accessori non raccomandati comporta il rischio di lesioni gravi.

AVVERTENZA! Usare il decespugliatore dotato del filo di taglio appropriato esclusivamente per tagliare erba e materiali similari.

AVVERTENZA! Per evitare l'avvio accidentale e il conseguente rischio di lesioni gravi, rimuovere sempre il gruppo batteria dall'apparecchio durante l'assemblaggio dei componenti, le operazioni di regolazione e pulizia e quando non è in uso.

Questo prodotto può essere usato per gli scopi elencati di seguito:

Rifinitura: per rimuovere erba e erbacce contro muri, steccati, alberi e bordi.

Taglio: per tagliare erba difficile da raggiungere con un normale tosaerba.

NOTA: Usare l'apparecchio esclusivamente per gli scopi previsti. Altri utilizzi, ad esempio come bordatore, sono da considerarsi uso improprio.

INSTALLARE/RIMUOVERE IL GRUPPO BATTERIA

Ricaricare completamente prima del primo utilizzo

Installazione (Fig. K)

Allineare i rilievi sul gruppo batteria con le scanalature di assemblaggio e premere il gruppo batteria fino a udire un "clac".

Rimozione (Fig. L)

AVVERTENZA! Prestare sempre attenzione ai propri piedi e all'eventuale presenza di bambini o animali attorno a sé durante la pressione del pulsante di rilascio della batteria. La caduta del gruppo batteria comporta il rischio di lesioni gravi. Non rimuovere MAI il gruppo batteria quando si è in posizione elevata.

Premere il pulsante di rilascio della batteria ed estrarre il gruppo batteria.

COME TENERE IL DECESPUGLIATORE

AVVERTENZA! Vestirsi adeguatamente per ridurre il rischio di infortunio durante l'uso dell'apparecchio. Non indossare indumenti ampi o gioielli. Indossare dispositivi di protezione per gli occhi/orecchie. Indossare pantaloni lunghi e pesanti, stivali e guanti. Non indossare pantaloni corti o sandali e non usare l'apparecchio a piedi nudi.

Prima di avviare il tagliasiepi, rimuovere il coprilama e tenere il tagliasiepi con entrambe le mani: una mano sull'impugnatura posteriore e l'altra sull'impugnatura anteriore ausiliaria, che deve essere dritta (Fig. M). Assumere quindi una posizione in equilibrio e osservare una corretta distanza di taglio.

AVVIARE/ARRESTARE IL DECESPUGLIATORE (Fig. N)

Avvio

Tenere premuta la leva di sbloccaggio. Premere l'interruttore a grilletto per avviare il decespugliatore.

Arresto

Rilasciare la leva di sbloccaggio e l'interruttore a grilletto.

AVVERTENZA! Rimuovere sempre il gruppo batteria dal decespugliatore durante le pause e al termine del lavoro.

COME USARE IL DECESPUGLIATORE

AVVERTENZA! Per evitare lesioni gravi, indossare sempre occhiali di protezione o di sicurezza durante tutto l'uso dell'apparecchio. Indossare una maschera facciale o antipolvere in ambienti polverosi.

Sgombrare l'area da tagliare prima di ogni utilizzo. Rimuovere oggetti come pietre, vetri rotti, chiodi, cavi o corde perché potrebbero venire lanciati o impigliarsi nell'accessorio di taglio. Tenere lontani dall'area di lavoro bambini, altre persone e animali. Tenere eventuali bambini, altre persone e animali ad almeno 15m di distanza; permane tuttavia il rischio di lesioni alle altre persone dovute al lancio di oggetti. Si raccomanda di far indossare dei dispositivi di protezione per gli occhi a eventuali persone presenti. Se un'altra persona si avvicina, arrestare immediatamente il motore e l'accessorio di taglio.

Prima di ogni utilizzo, verificare l'assenza di componenti danneggiati/usurati

Ispezionare la testa di taglio, la cuffia di protezione e l'impugnatura anteriore ausiliaria e sostituire i componenti incrinati, deformati, piegati o danneggiati in qualsiasi modo.

La lama del filo di taglio sul bordo della cuffia di protezione può smussarsi col tempo. Si consiglia di affilarla periodicamente con una lima o di sostituirla con una lama nuova.

AVVERTENZA! Indossare sempre i guanti durante l'installazione della cuffia di protezione o durante l'affilatura o la sostituzione della lama. Fare attenzione alla lama sulla cuffia di protezione e proteggere le mani dal rischio di lesioni.

Pulire il decespugliatore dopo ogni utilizzo.

- Usare esclusivamente sapone neutro e un panno umido per pulire l'apparecchio. Evitare la penetrazione di liquidi all'interno dell'apparecchio. Non immergere mai alcuna parte dell'apparecchio in liquidi.
- Mantenere le aperture di ventilazione sul vano motore e sull'albero costantemente prive di detriti (Fig. O).

Descrizione delle parti in Fig. O:

0-1	Aperture di ventilazione sull'albero
0-2	Aperture di ventilazione sul vano motore.

ATTENZIONE! L'ostruzione delle aperture di ventilazione impedirà il flusso d'aria all'interno del vano motore, causando il surriscaldamento o il danneggiamento del motore.

AVVERTENZA! Non usare mai acqua per pulire l'apparecchio. Evitare l'uso di solventi durante la pulizia delle parti in plastica. La maggior parte dei materiali plastici può essere danneggiata da diversi tipi di solventi in commercio. Usare un panno pulito per rimuovere sporcizia, polvere, olio, grasso, ecc.

REGOLARE LA LUNGHEZZA DEL FILO DI TAGLIO

La testa di taglio permette all'operatore di allungare il filo di taglio senza arrestare il motore. Quando il filo diventa sfilacciato o usurato, allungarlo premendo leggermente il pulsante di rilascio del filo sul terreno mentre il decespugliatore è in funzione (Fig. P).

Per risultati ottimali, premere il pulsante di rilascio del filo sul terreno nudo o superfici dure. Se si tenta di allungare il filo nell'erba alta, il motore potrebbe surriscaldarsi. Mantenere il filo di taglio sempre completamente esteso. Allungare il filo diventa più difficile mano a mano che il filo di taglio si accorcchia.

AVVERTENZA! Non rimuovere o alterare la lama del filo di taglio. Una lunghezza eccessiva del filo causerà il surriscaldamento del motore e il conseguente rischio di lesioni gravi.

LAVORARE CON LA PROTEZIONE PER PIANTE

La protezione per piante limita l'ampiezza di taglio del filo di taglio e riduce il rischio di danni causati dal filo di taglio in rotazione (Fig. Q).

Per usare la protezione per piante, abbassare l'archetto (Fig. R).

AVVERTENZA! La testa di taglio del filo può continuare a ruotare per qualche istante dopo lo spegnimento del decespugliatore. Attendere che la testa di taglio si sia arrestata completamente prima di regolare la protezione per piante. Non regolarla con il piede.

SOSTITUZIONE DEL FILO

NOTA: utilizzare esclusivamente filo di taglio standard in nylon con diametro non superiore a Ø2,0 mm.

AVVERTENZA! Non usare mai cavi, fili rinforzati in metallo, corda, ecc. perché possono rompersi e diventare proiettili pericolosi.

Sono disponibili due modalità di sostituzione del filo di taglio:

- Avvolgere del filo nuovo sulla bobina.
- Installare una bobina con filo (AS1301, disponibile presso il rivenditore).

Avvolgere del filo nuovo sulla bobina

Premere le due linguette di rilascio sulla base della bobina ed estrarre il fermo della bobina estraendolo in linea retta (Fig. S). Estrarre circa 7m di filo di taglio nuovo. Piegarlo e avvolgerlo sulla bobina come illustrato in Fig. T e U. Infilare le estremità del filo attraverso le due tacche opposte della bobina (Fig. V) e posizionare la bobina nel suo fermo con le tacche allineate con gli occhielli del fermo (Fig. W). Infine, allineare le fessure sul fermo con le linguette sulla base della bobina e premere il fermo uniformemente finché non si incastra in posizione (Fig. X).

NOTA: pulire sempre il fermo della bobina, la bobina e la base della bobina prima di reinstallarli sulla testa di taglio. Verificare che il fermo della bobina, la bobina e la base della bobina non siano usurati. Se necessario, sostituire i componenti usurati.

NOTA: l'avvolgimento del filo nella direzione errata causerà il malfunzionamento della testa di taglio.

Installare una nuova bobina con filo

Premere le due linguette di rilascio sulla base della bobina ed estrarre il fermo della bobina estraendolo in linea retta (Fig. S). Posizionare una nuova bobina nel fermo con le tacche allineate con gli occhielli del fermo (Fig. W). Infine, allineare le fessure sul fermo con le linguette sulla base della bobina e premere il fermo uniformemente finché non si incastra in posizione (Fig. X).

Descrizione delle parti in Fig. W e X:

W-1	Tacca	X-1	Linguetta
W-2	Occhiello	X-2	Fessura

NOTA: accertarsi che le linguette sulla base della bobina si incastrino in posizione per evitare che la bobina fuoriesca durante il funzionamento.

MANUTENZIONE

AVVERTENZA! Per la riparazione dell'apparecchio, usare esclusivamente parti di ricambio identiche. Ispezionare l'apparecchio ed effettuare la manutenzione regolarmente. Per garantire sicurezza e affidabilità, tutte le riparazioni e sostituzioni devono essere eseguite da un tecnico qualificato.

AVVERTENZA! Gli apparecchi a batteria non hanno bisogno di essere collegati a un impianto elettrico; pertanto sono sempre in condizioni operative. Per evitare lesioni gravi, prestare particolare attenzione durante le operazioni di manutenzione o riparazione e la sostituzione dell'accessorio di taglio o di altri accessori.

AVVERTENZA! Per evitare lesioni gravi, rimuovere il gruppo batteria dall'apparecchio prima di pulirlo o ripararlo e prima di sostituire gli accessori o rimuovere del materiale dall'apparecchio.

PULIZIA DELL'APPARECCHIO

- Pulire l'apparecchio usando un panno inumidito con del detergente neutro.
- Non usare detersivi aggressivi sulle superfici esterne in plastica o sull'impugnatura perché possono essere danneggiate da alcuni oli aromatici, come pino e limone, e da solventi come il cherosene. L'umidità comporta il rischio di scossa elettrica. Rimuovere eventuali segni di umidità con un panno asciutto e morbido.
- Usare una piccola spazzola o un piccolo aspirapolvere per pulire le aperture di ventilazione sul vano motore.

CONSERVAZIONE DELL'APPARECCHIO

- Rimuovere il gruppo batteria dal decespugliatore quando non è in uso.
- Pulire accuratamente l'apparecchio prima di riporlo.
- Conservare l'apparecchio in un luogo asciutto, ben ventilato, elevato o chiuso a chiave, e fuori dalla portata dei bambini. Non conservare l'apparecchio sopra o in prossimità di fertilizzanti, benzina o altre sostanze chimiche.

Protezione dell'ambiente



Non smaltire gli apparecchi elettrici, caricabatteria e batterie/batterie ricaricabili insieme ai rifiuti indifferenziati!

Conformemente alle direttive europee 2012/19/EU e 2006/66/CE, i rifiuti di apparecchiature elettriche ed elettroniche, pile e accumulatori devono essere raccolti separatamente e smaltiti nel rispetto dell'ambiente.

Se gli apparecchi elettrici vengono smaltiti nelle discariche, le sostanze pericolose possono infiltrarsi nelle falde acquifere e contaminare la catena alimentare, con effetti dannosi sulla salute e il benessere.

IT

DICHIARAZIONE DI CONFORMITÀ CE

Il costruttore, EGO EUROPE GMBH

Wahlwiesenstrasse 1, D-71711 Steinheim an der Murr Deutschland

Dichiara che il decespugliatore a batteria **li-ion 56V ST1210E** è conforme ai requisiti essenziali in materia di salute e sicurezza delle seguenti direttive:

2006/42/CE, 2014/30/UE, 2011/65/UE, 2000/14/CE

Standard e specifiche tecniche conformi a:

EN 60335-1, EN 50636-2-91, EN 55014-1, EN 55014-2

Livello di potenza sonora misurato: 90,76 dB(A).

Livello di potenza sonora garantito: 91 dB(A).

Procedura di valutazione della conformità dell'Allegato VI seguita secondo i termini di 2000/14/CE.

Corpo notificato: Société Nationale de Certification et d'Homologation

Numero corpo notificato: 0499

Peter Melrose
Direttore responsabile di
EGO Europe GmbH

Dong Jianxun
Responsabile Qualità Chervon

* (Rappresentante autorizzato per CHERVON e responsabile della documentazione tecnica)

01/09/2016

RISOLUZIONE DEI PROBLEMI

PROBLEMA	CAUSA	SOLUZIONE
<p>Il decespugliatore non si avvia.</p>	<ul style="list-style-type: none"> ■ Il gruppo batteria non è installato sul decespugliatore. ■ Il contatto elettrico tra il decespugliatore e la batteria è mancante. ■ Il gruppo batteria è scarico. ■ La leva di sbloccaggio e l'interruttore a grilletto non sono stati premuti contemporaneamente. 	<ul style="list-style-type: none"> ■ Installare il gruppo batteria sul decespugliatore. ■ Rimuovere la batteria, ispezionare i contatti e reinstallare il gruppo batteria. ■ Ricaricare il gruppo batteria. ■ Per avviare il decespugliatore, tenere premuta la leva di sbloccaggio contemporaneamente all'interruttore a grilletto.
<p>Il decespugliatore si arresta durante il taglio</p>	<ul style="list-style-type: none"> ■ La cuffia di protezione non è installata sul decespugliatore, causando l'eccessiva lunghezza del filo di taglio e il sovraccarico del motore. ■ È in uso un filo di taglio troppo spesso. ■ L'albero di comando o la testa di taglio sono bloccati dall'erba. ■ Il motore è sovraccarico. ■ Il gruppo batteria o il decespugliatore sono troppo caldi. ■ Il gruppo batteria non è installato sul decespugliatore. ■ Il gruppo batteria è scarico. 	<ul style="list-style-type: none"> ■ Rimuovere il gruppo batteria e installare la cuffia di protezione sul decespugliatore. ■ Utilizzare esclusivamente un filo di taglio in nylon da 2,0 mm di diametro o inferiore. ■ Arrestare il decespugliatore, rimuovere la batteria e rimuovere l'erba dall'albero di comando e dalla testa di taglio. ■ Rimuovere la testa di taglio dall'erba. Il motore si riavvierà alla rimozione del carico. Durante il taglio, spostare la testa di taglio dentro e fuori dall'erba da tagliare e rimuovere non più di 20 cm di lunghezza a ogni passata. ■ Attendere che la temperatura del gruppo batteria e del decespugliatore scenda al di sotto di 67°C. ■ Reinstallare il gruppo batteria. ■ Ricaricare il gruppo batteria.

PROBLEMA	CAUSA	SOLUZIONE
Non è possibile allungare il filo della testa di taglio	<ul style="list-style-type: none"> ■ L'albero di comando o la testa di taglio sono bloccati dall'erba. ■ La bobina non contiene abbastanza filo. ■ La testa di taglio è sporca. ■ Il filo è impigliato sulla bobina. ■ Il filo è troppo corto. 	<ul style="list-style-type: none"> ■ Arrestare il decespugliatore, rimuovere la batteria e rimuovere l'erba dall'albero di comando e dalla testa di taglio. ■ Rimuovere la batteria e sostituire il filo di taglio. Seguire le istruzioni alla sezione SOSTITUZIONE DEL FILO in questo manuale. ■ Rimuovere la batteria e pulire la bobina, il fermo della bobina e la base della bobina. ■ Rimuovere la batteria, rimuovere il filo dalla bobina e riavvolgerlo. Seguire le istruzioni alla sezione SOSTITUZIONE DEL FILO in questo manuale. ■ Rimuovere la batteria, quindi tirare il filo e nel contempo premere e rilasciare il pulsante di rilascio del filo.
L'erba si avvolge intorno alla testa di taglio e al vano motore	<ul style="list-style-type: none"> ■ Tagliare l'erba a livello del terreno. 	<ul style="list-style-type: none"> ■ Tagliare l'erba dall'alto verso il basso, rimuovendo non più di 20 cm a ogni passata per evitare il problema.
Il filo non taglia bene	<ul style="list-style-type: none"> ■ La lama del filo di taglio sul bordo della cuffia di protezione è smussata. 	<ul style="list-style-type: none"> ■ Affilarle la lama del filo di taglio con una lima o sostituirla con una lama nuova.

IT

GARANZIA

CONDIZIONI DELLA GARANZIA EGO

Visitare il sito web egopowerplus.com per consultare le condizioni complete della garanzia EGO.

LEES ALLE INSTRUCTIES!



LEES EN BEGRIJP DE GEBRUIKERSHANDLEIDING

⚠ Restrisico! Personen met elektronische apparaten, zoals pacemakers, moeten eerst hun art(sen) raadplegen voordat ze dit product mogen gebruiken. De werking van een elektrisch apparaat in de nabijheid van een pacemaker kan een storing of defect aan de pacemaker veroorzaken.

⚠ WAARSCHUWING: Om een continue veiligheid en betrouwbaarheid te waarborgen, dienen alle reparaties en vervangingen van onderdelen uitgevoerd te worden door een vakbekwame reparateur.

VEILIGHEIDSSYMBOLEN

Het doel van de veiligheidssymbolen is om u te wijzen op mogelijke gevaren. Besteed daarom voldoende aandacht hieraan en begrijp de veiligheidssymbolen en bijbehorende uitleg. De symboolwaarschuwingen op zich elimineren geen enkel gevaar. De gegeven instructies en waarschuwingen gelden niet als vervanging voor gepaste voorzorgsmaatregelen tegen ongevallen.

⚠ WAARSCHUWING: Lees en begrijp alle veiligheidsinstructies die in deze gebruikershandleiding zijn vermeld, waaronder alle veiligheidssymbolen zoals **“GEVAAR”, “WAARSCHUWING”, en “OPGELET”** voordat u dit apparaat in gebruik neemt. Het negeren van onderstaande instructies kan leiden tot elektrische schokken, brand en/of ernstig persoonlijk letsel.

BETEKENIS VAN DE SYMBOLEN

WAARSCHUWINGSSYMBOL: Geeft GEVAAR, WAARSCHUWING of OPGELET aan. Kan worden gebruikt in combinatie met andere symbolen of pictogrammen.



⚠ WAARSCHUWING: De werking van het apparaat kan leiden tot het rondslingeren van (vreemde) objecten die in uw ogen kunnen terechtkomen. Dit kan leiden tot ernstig oogletsel. Wanneer u elektrische apparaten gebruikt, zorg er dan voor dat u altijd een veiligheidsbril (met zijschermen) of een gelaatsscherm draagt. We bevelen aan om een gelaatsscherm over uw bril of standaard veiligheidsbril met zijschermen te gebruiken.

VEILIGHEIDSVORSCHRIFTEN

Deze pagina toont en beschrijft alle veiligheidssymbolen die zich op dit product kunnen bevinden. Lees, begrijp en volg alle instructies op de machine voordat u deze in elkaar zet en gebruikt.

	Veiligheidswaarschuwing	Voorzorgsmaatregelen voor uw veiligheid.
	Lees de gebruikershandleiding	De gebruiker dient de gebruikershandleiding voor het gebruik van dit product te lezen en te begrijpen om risico op letsel te beperken.
	Draag oogbescherming	Draag altijd een veiligheidsbril met zijschermen en een gelaatsscherm als u dit product gebruikt.
	Draag oorbescherming	Draag altijd gehoorbescherming wanneer u dit product gebruikt.
	Diameter draad	De diameter van de nylon snijdraad
	Snijbreedte	De max. snijbreedte van de grastrimmer
	Niet aan regen blootstellen	Gebruik het apparaat niet in de regen en laat het tevens niet buiten achter als het regent.
	Klasse II constructie	Dubbel geïsoleerde constructie.
	Houd omstanders uit de buurt	Zorg dat andere personen en huisdieren zich op minstens 15m van de grastrimmer bevinden wanneer in gebruik.
	Houd omstanders uit de buurt	Zorg dat andere personen en huisdieren zich op minstens 15m van de grastrimmer bevinden wanneer in gebruik.
V	Volt	Spanning
A	Ampère	Stroom
Hz	Hertz	Frequentie (cycli per seconde)
W	Watt	Vermogen

min	Minuten	Tijd
~	Wisselstroom	Stroomtype
≡	Gelijkstroom	Stroomtype of -karakteristiek
n_0	Snelheid zonder belasting	Draaisnelheid, zonder belasting
... /min	Per minuut	Toeren per minuut

BELANGRIJKE VEILIGHEIDSLINSTRUCTIES

⚠ WAARSCHUWING: Tijdens het gebruik van grastrimmers, moeten de volgende standaard veiligheidsmaatregelen worden genomen om het risico op brand, elektrische schokken en persoonlijk letsel te vermijden:

LEES GRONDIG VOOR GEBRUIK

BEWAAR VOOR LATERE RAADPLEGING

⚠ GEVAAR: Vertrouw niet op de isolatie van het gereedschap om elektrische schokken te voorkomen. Om het risico op elektrocutie te beperken, bedien de machine nooit in de buurt van bedrading of kabels (voeding, etc.) die onder elektrische stroom staan.

⚠ OPGELET: Draag gepaste persoonlijke gehoorbescherming tijdens gebruik. In bepaalde omstandigheden en afhankelijk van de gebruiksduur kan het lawaai dat dit product produceert tot gehoorverlies leiden.

OPLEIDING

- Lees de instructies aandachtig door. Maak u vertrouwd met de bedieningsknoppen en het juiste gebruik van de machine.
- Kinderen of personen die de instructies niet kennen mogen dit apparaat niet gebruiken. De lokale wetgeving kan de leeftijd van de bediener begrenzen.
- Onthoud dat de bediener of gebruiker verantwoordelijk is voor ongevallen of gevaren die zich bij ander personen of hun eigendommen voordoen.

VOORBEREIDING

- Gebruik de machine nooit als er zich mensen, in het bijzonder kinderen of huisdieren, in de buurt bevinden.
- Draag altijd oogbescherming en stevige schoenen wanneer de machine in werking is.

GEBRUIK

- Gebruik de machine alleen bij daglicht of voldoende kunstmatig licht.
- Gebruik de machine nooit met beschadigde schermen of zonder dat de schermen gemonteerd zijn.
- Schakel de motor alleen in wanneer uw handen en voeten zich uit de buurt van het snijelement bevinden.
- Ontkoppel altijd de machine van de voeding (d.w.z. haal de stekker uit het stopcontact of verwijder het ontkoppelmecanisme),
 - wanneer de machine zonder toezicht wordt achtergelaten;
 - voor het verwijderen van een verstopping;
 - voor het controleren, reinigen of onderhouden van de machine;
 - na het raken van een vreemd voorwerp;
 - telkens de machine overmatig trilt.
- Zorg dat u geen letsel oploopt aan uw handen en voeten door het snijelement
- Zorg dat de ventilatieopeningen altijd vrij van vuil zijn.

ONDERHOUD EN OPSLAG

- Ontkoppel altijd de machine van de voeding (d.w.z. haal de stekker uit het stopcontact of verwijder het ontkoppelmecanisme) alvorens schoon te maken of te onderhouden.
- Gebruik alleen reserve-onderdelen of accessoires die door de fabrikant zijn aanbevolen.
- Controleer en onderhoud de machine regelmatig. Laat de machine alleen door een erkende reparateur repareren.
- Wanneer niet in gebruik, berg de machine op buiten het bereik van kinderen.

ANDERE VEILIGHEIDSWAARSCHUWINGEN

- Vermijd gevaarlijke omgevingen – Gebruik de trimmer niet in een vochtige of natte omgeving.
- Schakel de grastrimmer altijd uit of verwijder het accupack wanneer u de trimmer zonder toezicht achterlaat.
- Gebruik de machine niet als het regent.
- Houd kinderen uit de buurt – Alle omstanders moeten zich op een veilige afstand van het werkgebied bevinden.
- Draag gepaste kleding - Draag geen loshangende kleding of juwelen. Deze kunnen in de bewegende onderdelen vast komen te zitten. Rubber handschoenen en stevig schoeisel worden aanbevolen wanneer u buitenshuis werkt. Bedek lang haar met een haarnet.

- Gebruik een veiligheidsbril – Gebruik altijd een gezichts- of stofmasker als u in een stoffige omgeving werkt.
- Gebruik het gepaste gereedschap - Gebruik het gereedschap alleen waarvoor het is bedoeld.
- Forceer de trimmer niet - De taak zal beter uitgevoerd worden en met minder kans op letsel als het apparaat wordt gebruikt aan de snelheid waarvoor het ontworpen is.
- Reik niet te ver - Zorg er altijd voor dat u stevig en stabiel staat.
- Blijf aandachtig – Let op wat u doet. Gebruik uw gezond verstand. Gebruik de grastrimmer niet als u moe bent.
- Gebruik de trimmer niet als u onder de invloed van alcohol of drugs bent.
- Houd de schermen op hun plaats en in een goede staat.
- Berg de trimmer binnenshuis op - Berg de trimmer op in een droge, hoge of vergrendelde ruimte met het accupack verwijderd, en buiten het bereik van kinderen wanneer niet in gebruik.
- Draag zorg voor uw trimmer - Houd het snijelement schoon voor de beste prestaties en om het risico op letsel te beperken. Volg de instructies over het vervangen van accessoires. Houd de handvatten droog, schoon en vrij van olie en smeervet.
- Controleer op beschadigde onderdelen - Voordat u de beschadigde trimmer, een scherm of een ander beschadigd onderdeel verder gebruikt, controleer deze grondig om na te gaan of het gereedschap juist zal werken en zijn bedoelde functie zal uitvoeren. Controleer op de uitlijning van de bewegende onderdelen, de verbinding van de bewegende onderdelen, breuk van onderdelen of andere condities die de werking kunnen beïnvloeden. Laat een beschadigd scherm of ander onderdeel op een juiste wijze repareren of vervangen door een bevoegd servicecentrum tenzij anders aangegeven in deze gebruiksaanwijzing.
- Voor gebruik, verwijder alle mogelijke obstakels uit de te maaien zone. Verwijder voorwerpen zoals rotsen, gebroken glas, nagels, draad of koorden, die opgegooid kunnen worden of in het snijelement terecht kunnen komen. Houd andere personen en huisdieren op een afstand van minstens 15m.
- Voordat u de machine gebruikt en na een val, controleer deze op tekenen van schade of slijtage en laat repareren indien nodig.
- Houd de trimmer altijd stevig vast, met beide handen op de handvatten, wanneer in werking. Sla uw vingers en duimen om de handvatten.
- Voorkom ongewenst starten – Draag de trimmer niet met uw vingers op de trekker.
- Gebruik de trimmer niet in een explosieve atmosfeer of in een ruimte waar aardolie aanwezig is. De motor in dit apparaat kan vonken produceren. Deze vonken kunnen dampen in brand steken.
- Schade aan de trimmer – Als u een vreemd voorwerp met de trimmer raakt of als de trimmer vast komt te zitten, schakel het gereedschap onmiddellijk uit, haal het accupack uit de grastrimmer, controleer op schade en laat het gereedschap repareren voordat u het opnieuw gebruikt. Gebruik het apparaat niet met een beschadigd scherm of spoel.
- Als het gereedschap abnormaal trilt, stop de motor, haal het accupack uit de grastrimmer en zoek onmiddellijk naar de oorzaak. Trilling wijst vaak op een storing. Een losse kop kan trillen, barsten, breken of van de trimmer los komen, wat tot ernstig letsel of de dood kan leiden. Zorg dat het snijelement juist op zijn positie is vastgemaakt. Als de kop na bevestiging op de juiste positie loskomt, vervang het onmiddellijk. Gebruik nooit een trimmer met een los snijelement.
- Vervang een gebarsten, beschadigde of versleten snijkop onmiddellijk, zelfs al is de schade beperkt tot oppervlakkige barstjes. De snijkop kan tegen hoge snelheid uiteenspaten en tot ernstig letsel of de dood leiden.
- Controleer het snijelement regelmatig tijdens de werking of onmiddellijk na een duidelijke wijziging in de snijprestaties.
- Gebruik alleen door EGO™ geautoriseerde polymeer trimmerdraad accessoires (Ø2,0 mm) en trimmerdraad welke zijn ontworpen voor het gebruik met dit gereedschap. Alhoewel bepaalde niet erkende toebehoren op de EGO™ grastrimmer gemonteerd kunnen worden, kan het gebruik ervan tot ernstig letsel, de dood of schade aan het gereedschap veroorzaken.
- Om het risico op ernstig letsel te beperken, gebruik nooit metaal versterkt draad of ander materiaal in plaats van het nylon trimmerdraad. Stukken draad kunnen losbreken en tegen een hoge snelheid naar de gebruiker of omstanders worden geslingerd.
- Om het risico op letsel door controleverlies te voorkomen, werk nooit op een lader of andere onveilige steun. Houd het snijelement nooit boven uw middel.
- Als er zich situaties voordoen die niet in deze handleiding zijn behandeld, gebruik uw gezond verstand. Neem contact op met het EGO servicecentrum voor bijstand.
- Laad het accupack niet op als het regent of in een natte omgeving.

- Gebruik het gereedschap alleen met onderstaand vermelde accupacks en laders:

BATTERIJ	LADER
BA1120E, BA2240E, BA2800, BA3360, BA4200	CH5500E, CH2100E

- Haal het accupack uit het apparaat alvorens het apparaat af te danken.
- Gooi het accupack op een veilige manier weg.
- Gooi het accupack niet in vuur. De cellen kunnen ontploffen. Raadpleeg de lokale wetgeving voor eventuele speciale verwijderingsvoorschriften.
- Open of beschadig de batterij niet. Vrijgekomen elektrolyt is corrosief en kan schade aan de ogen en huid veroorzaken. Het kan giftig zijn wanneer het wordt ingeslikt.
- Wees voorzichtig wanneer u accupacks gebruikt. Sluit het accupack nooit kort met geleidende materialen zoals ringen, armbanden of sleutels. Het accupack of de geleider kan oververhitten en brandwonden veroorzaken.
- Bij reparatie mag u uitsluitend identieke EGO™ reserve-onderdelen gebruiken. Het gebruik van andere accessoires of opzetstukken kunnen het risico op letsel verhogen.
- Accugereedschap moet niet op een stopcontact worden aangesloten en kan aldus altijd onmiddellijk gebruikt worden. Let voor mogelijke gevaren, zelfs wanneer het gereedschap niet in werking is. Let op wanneer u onderhoud op het gereedschap uitvoert.
- Reinig het gereedschap niet met een slang. Zorg dat de motor of elektrische componenten niet met water in aanraking komen.
- Bewaar deze handleiding. Raadpleeg de gebruikershandleiding indien nodig en gebruik deze om andere personen die dit apparaat zullen gebruiken te onderrichten. Als u dit apparaat aan iemand anders geeft, geef hem/haar dan in ieder geval ook de gebruikershandleiding mee om verkeerd gebruik en/of mogelijk letsel te voorkomen.
- Draag altijd gepast schoeisel en een lange broek tijdens het gebruik van de machine.
- Let op een goede houding als u op hellingen werkt en wandel, ren niet.

BEWAAR DEZE GEBRUIKSAANWIJZING!

SPECIFICATIES

Spanning	56 V ---	
Snelheid zonder belasting	7000 /min	
Snijmechanisme	Aantikkop	
Type snijdraad	AL0800 Ø2.0 mm ronde nylondraad	
Snijbreedte	30 cm	
Gewicht (zonder accupack)	2,85 kg	
Gemeten geluidsvermogensniveau L_{wa}	90,76 dB(A) K=2,5 dB(A)	
Maximale geluidsdruk niveau aan het oor van de bediener L_{pa}	75,0 dB(A) K=2,5 dB(A)	
Gegarandeerd geluidsvermogensniveau L_{wa} (gemeten volgens 2000/14/EG)	91 dB(A)	
Vibratie a_h	Voorste handvat	3,279 m/s ² K=1,5 m/s ²
	Achterste handvat	4,915 m/s ² K=1,5 m/s ²

- De opgegeven totale vibratiewaarde is gemeten volgens de standaard testmethode en kan worden gebruikt om het apparaat met een ander apparaat te vergelijken;
- De opgegeven totale vibratiewaarde kan ook worden gebruikt in een voorafgaande beoordeling op blootstelling.

MEDEDELING: De vibratie-afgifte tijdens het werkelijk gebruik van het elektrisch gereedschap kan verschillen van de opgegeven totale waarde; Om de bediener te beschermen dient de gebruiker tijdens het gebruik handschoenen en gehoorbescherming te dragen.

INHOUD VAN DE VERPAKKING

NAAM ONDERDEEL	AANTAL
Grastrimmer	1
Scherm	1
Voorste handvat	1
Inbussleutel	1
Gebruikershandleiding	1

BESCHRIJVING

KEN UW GRASTRIMMER (afb. A)

1. Schakelaar
2. Achterste handvat
3. Ontgrendelingshendel
4. Zachte hoesbekleding
5. Aanpasbare voorste handvat
6. Schacht
7. Aantikkbeschermer
8. Aantikknop
9. Aantikkop (snijkop)
10. Scherm
11. Mes voor het snijden van de draad
12. Uitwerpmechanisme
13. Elektrische contacten
14. Vergrendeling
15. Accuvrijgaveknop

MONTAGE

⚠ WAARSCHUWING: Als er onderdelen beschadigd zijn of ontbreken, gebruik dit product niet totdat alle onderdelen vervangen of aanwezig zijn. Dit product gebruiken met beschadigde of ontbrekende onderdelen kan ernstig persoonlijk letsel veroorzaken.

⚠ WAARSCHUWING: Probeer niet om dit product aan te passen of accessoires te maken die niet voor gebruik met deze grastrimmer zijn aanbevolen. Een dergelijke aanpassing of wijziging is verkeerd en kan leiden tot gevaar en een ernstig persoonlijk letsel.

⚠ WAARSCHUWING: Om het toevallig starten van het apparaat, dat ernstig persoonlijk letsel kan veroorzaken, te voorkomen, verwijder altijd de accu uit het apparaat voordat u onderdelen monteert.

DE BESCHERMING MONTEREN (afb. B & C & D)

⚠ WAARSCHUWING: Draag altijd handschoenen wanneer u het scherm monteert of vervangt. Let op voor het mes op het scherm zodat u geen letsel oploopt.

⚠ WAARSCHUWING: Gebruik het gereedschap nooit zonder juist gemonteerd scherm. Het scherm moet zich altijd op het gereedschap bevinden om de gebruiker te beschermen! Als het scherm is vastgemaakt, verwijder of pas het scherm nooit aan. Als het scherm aan vervanging toe is, laat het vervangen door een bekwame onderhoudstechnicus!

Plaats de trimmerkop naar boven, maak de twee schroeven los en verwijder ze. Stel vervolgens de geleiders in op de sleuven van de behuizing, druk de bescherming op zijn plek en bevestig hem met de twee schroeven. Zorg ervoor dat het binnenoppervlak van het scherm naar de snijkop is gericht.

HET VOORSTE HANDVAT MONTEREN EN AANPASSEN

Druk het voorste handvat op de schacht (afb. F), plaats vervolgens het klemblok in de handvatsleuf (afb. G), bevestig de vergrendelingsstang, vergrendel hem met de vleugelmoer (afb. H). De volgorde is zoals weergegeven in afb. E. Tenslotte stelt u de positie van het voorste handvat in, waardoor uw voorste arm recht is als u de grastrimmer (afb. I) gebruikt en vergrendel de hendel om de stang te vergrendelen (afb. J).

Afb. E & I beschrijving van de onderdelen zie beneden:

E-1	Voorste handvat	E-4	Vleugelmoer
E-2	Vergrendelingsstang	I-1	Zachte hoesbekleding
E-3	Klemblok	I-2	Waarschuwinglabel

OPMERKING: Het voorste handvat moet naar boven gericht zijn om naar het de bovenkant van het handvat te wijzen.

⚠ WAARSCHUWING: Bevestig het voorste handvat alleen vóór de zachte hoesbekleding op de as.

⚠ WAARSCHUWING: Het gereedschap kan niet worden gebruikt als het voorste handvat niet goed bevestigd is.

BEDIENING

⚠ WAARSCHUWING: Vertrouwdheid kan leiden tot onvoorzichtigheid. Opgelet, één seconde van onvoorzichtigheid kan ernstig letsel teweegbrengen.

⚠ WAARSCHUWING: Draag altijd een veiligheidsbril met zijschermen. In combinatie met gehoorbescherming. Het niet dragen van deze beschermingsuitrusting kan ertoe leiden dat voorwerpen in uw ogen terechtkomen of kan een ander ernstig letsel veroorzaken.

⚠ WAARSCHUWING: Gebruik geen opzetstukken of toebehoren die niet door de fabrikant van dit product zijn aanbevolen. Het gebruik van niet aanbevolen opzetstukken of toebehoren kan leiden tot ernstig persoonlijk letsel.

⚠ WAARSCHUWING: Gebruik uw grastrimmer alleen met de gepaste snijdraad specifiek voor het maaien van gras en gelijksortig materiaal.

⚠ WAARSCHUWING: Om het per ongeluk starten van het gereedschap, wat persoonlijk letsel kan veroorzaken, te voorkomen, dient u altijd het accupack uit het gereedschap te halen als u onderdelen monteert, instellingen uitvoert, het reinigt of als het niet in gebruik is.

U kunt dit product gebruiken voor onderstaand vermelde doeleinden:

Trimmen: wordt gebruikt voor het verwijderen van gras en onkruid langs muren, hekken, bomen en perken.

Snijden: wordt gebruikt voor het maaien van gras dat moeilijk te bereiken is met een normale grasmaaier.

OPMERKING: Het gereedschap mag alleen voor het voorheen genoemde doeleinde worden gebruikt. Ieder ander gebruik, bijvoorbeeld het trimmen van randen, is in dit geval misbruik

HET ACCUPACK INSTALLEREN/VERWIJDEREN

Voor de eerste ingebruikname volledig opladen.

Voor het installeren (afb. K)

Breng de geleiders van de accu overeen met de montagesleuven en druk het accupack naar beneden totdat u "klik" hoort.

Voor het verwijderen (afb. L)

⚠ WAARSCHUWING: Houd altijd uw voeten, kinderen of huisdieren die zich in de buurt bevinden in het oog wanneer u op de accuvrijgaveknop drukt. Ernstig letsel kan zich voordoen wanneer het accupack valt. Haal het accupack NOOIT uit wanneer u zich in een hoge positie bevindt.

Druk de accu-ontgrendelingsknop naar beneden en trek het accupack eruit.

DE GRASTRIMMER VASTHOUDEN

⚠ WAARSCHUWING: Draag gepaste kleding om het risico op letsel tijdens gebruik van dit gereedschap te beperken. Draag geen loshangende kleding of juwelen. Draag oog- en oorbescherming. Draag een stevige lange broek, laarzen en handschoenen. Draag geen korte broek, sandalen of ga niet blootsvoets.

Voor het gebruik dient u de trimmer met beide handen vast te houden, één hand aan het achterste handvat en de andere hand aan het voorste handvat, waarbij de arm recht moet zijn (afb. M). Let vervolgens op een goede stand en een goede maai-afstand.

DE GRASTRIMMER STARTEN/STOPPEN (afb. N)

Starten

Duw de ontgrendelingshendel in en houd deze in positie. Haal de trekker over om de grastrimmer in te schakelen.

Stoppen

Laat de ontgrendelingshendel en de schakelaar los.

⚠ WAARSCHUWING: Haal altijd het accupack uit de grastrimmer wanneer u een pauze inlast of na gebruik van het gereedschap.

DE GRASTRIMMER GEBRUIKEN

⚠ WAARSCHUWING: Om ernstig persoonlijk letsel te voorkomen, draag altijd een veiligheidsbril wanneer u dit gereedschap gebruikt. Draag een gezichts- of stofmasker in geval van een stoffige omgeving.

Voor gebruik, verwijder alle mogelijke obstakels uit de te maaien zone. Verwijder voorwerpen zoals rotsen, gebroken glas, nagels, draad of koorden, die opgegooid kunnen worden of in het snijelement terecht kunnen komen. Zorg dat er zich geen kinderen, omstanders of huisdieren in de omgeving bevinden. Houd kinderen, omstanders en huisdieren op een afstand van minstens 15m; er is nog altijd risico op het wegslingeren van voorwerpen richting omstanders. Omstanders worden aangespoord om oogbescherming te dragen. Als iemand in de buurt komt, stop de motor en het snijelement onmiddellijk.

Voor elk gebruik, controleer op beschadigde/versleten onderdelen

Controleer de slijpkop, scherm en voorste handvat en vervang de onderdelen die gebarsten, scheef getrokken, gebogen of beschadigd zijn.

Het mes voor het snijden van de draad op de rand van het scherm kan na verloop van tijd bot worden. Het is aanbevolen om het mes regelmatig met een vijl te slijpen of door een nieuw mes te vervangen.

⚠ WAARSCHUWING: Draag altijd handschoenen wanneer u het scherm monteert of het mes slijpt of vervangt. Let op voor het mes om het scherm zodat u geen letsel oploopt.

Maak de trimmer na elk gebruik schoon.

- Maak het gereedschap alleen schoon met een vochtige doek en milde zeep. Zorg dat er geen vloeistof het gereedschap binnendringt. Dompel nooit een deel van het gereedschap in een vloeistof.
- Houd de luchtopeningen in de motorbehuizing en de schacht op elk moment vrij van vuil (afb. O).

Afb. O beschrijving van de onderdelen zie beneden:

0-1	Ventilatieopeningen in de schacht
0-2	Ventilatieopeningen in de motorbehuizing

⚠ OPGELET: Belemmeringen in de ventilatieopeningen beletten de aanvoer van lucht in de motorbehuizing. Dit kan oververhitting of schade aan de motor veroorzaken.

⚠ WAARSCHUWING: Maak uw grastrimmer nooit schoon met water. Maak de kunststof onderdelen niet schoon met oplosmiddelen. De meeste kunststoffen kunnen door verschillende soorten van commercieel beschikbare oplosmiddelen schade oplopen. Gebruik een schone doek voor het verwijderen van vuil, stof, olie, smeer, etc.

NL

DE LENGTE VAN DE SNIJDRAAD AANPASSEN

De aantikknop stelt de bediener in staat om meer snijdraad vrij te geven zonder de motor te moeten stoppen. Als de snijdraad uitgerafeld of versleten raakt, geef extra draad vrij door de aantikknop tijdens gebruik van de trimmer voorzichtig tegen de grond te tikken (afb. P).

Voor het beste resultaat, tik de aantikknop op een harde grond of aarde. Als u draad probeert vrij te geven in hoog gras, kan de motor oververhit raken. Houd de snijdraad altijd volledig uitgestrekt. Het vrijgeven van draad wordt moeilijker naarmate de draad korter wordt.

⚠ WAARSCHUWING: Verwijder of pas de draadsnijder niet aan. Een te lange snijdraad zal de motor oververhitten wat tot ernstig persoonlijk letsel kan leiden.

WERKEN MET DE AANTIKBESCHERMING

De aantikbescherming kan de snijradius van de snijdraad reduceren en hierdoor het risico op schade veroorzaakt door de roterende snijdraad verminderen (afb. Q).

Om de aantikbescherming te gebruiken, drukt u hem naar beneden vanuit de opbergstand (afb. R).

⚠ WAARSCHUWING: De aantikknop kan nog even doordraaien nadat u de grastrimmer heeft uitgeschakeld. Wacht totdat de aantikknop compleet tot stilstand is gekomen voordat u de aantikbescherming aanpast. Pas hem niet met uw voet aan.

DE DRAAD VERVANGEN

OPMERKING: Gebruik altijd een standaard nylon snijdraad met een diameter van niet meer dan $\varnothing 2.0$ mm.

⚠ WAARSCHUWING: Gebruik nooit metaal versterkte draad, koord of touw, etc. Deze kan afbreken en een gevaarlijk projectiel worden.

U kunt de snijdraad op twee manieren vervangen:

1. Wikkel nieuwe draad op de spoel.
2. Installeer een reeds opgewikkelde spoel (AS1301, indien nodig verkrijgbaar bij uw handelaar).

Nieuwe draad op de spoel wikkelen

Druk op de twee klemcontacten op de basis van de spoel en trek de vastzetting van de spoel eruit (afb. S). Haal circa 7m nieuwe snijdraad eruit. Vouw hem en draai hem op de spoel zoals getoond in afb. T & U. Plaats vervolgens de uiteinden van de draad in de twee tegenover elkaar liggende knopen in de spoel (afb. V) en plaats de spoel in de houder met de inkepingen tegenover de bevestigingsogen (afb. W). Tenslotte plaatst u de bevestigingssleuven met de tabs op de spoelbasis en drukt u de houder gelijkmatig naar beneden, waardoor u ervoor zorgt dat hij op zijn plek vast klikt (afb. X).

OPMERKING: Maak altijd de vastzetting, spoel en basis schoon voordat u de snijkop terugplaatst. Controleer de vastzetting, spoel en basis op slijtage. Indien nodig, vervang de versleten onderdelen.

OPMERKING: Als de draad niet in de aangegeven richting wordt opgewikkeld, zal de snijkop verkeerd werken.

Een spoel die vooraf met draad is gewikkeld installeren

Druk op de twee klemcontacten op de basis van de spoel en trek de vastzetting van de spoel eruit (afb. S). Plaats vervolgens de vooraf opgewikkelde spoel in de houder met de inkepingen tegenover de houderogen (afb. W). Tenslotte plaatst u de bevestigingssleuven met de tabs op de spoelbasis en drukt u de houder gelijkmatig naar beneden, waardoor u ervoor zorgt dat hij op zijn plek vast klikt (afb. X).

Afb. W & X beschrijving van de onderdelen zie beneden:

W-1	Inkeping	X-1	Klemcontact
W-2	Oogje	X-2	Gleuf

OPMERKING: Zorg dat de contactklemmen op de basis op hun plaats klikken anders zal de spoel tijdens de werking loskomen.

ONDERHOUD

⚠ WAARSCHUWING: Bij reparatie, gebruik uitsluitend identieke reserve-onderdelen. Controleer en onderhoud de machine regelmatig. Laat alle reparaties uitvoeren door een vakbekwame reparateur om een continue veiligheid en betrouwbaarheid te waarborgen.

⚠ WAARSCHUWING: Accugereedschap moet niet op een stopcontact worden aangesloten en kan aldus altijd onmiddellijk gebruikt worden. Om ernstig persoonlijk letsel te voorkomen, neem extra voorzorgsmaatregelen wanneer u het snijelement of andere accessoires onderhoudt, reinigt of wijzigt.

⚠ WAARSCHUWING: Om ernstig persoonlijk letsel te voorkomen, haal het accupack uit het gereedschap voor onderhoud, reiniging, het wijzigen van accessoires of het verwijderen van materiaal.

HET APPARAAT SCHOONMAKEN

- Maak het apparaat schoon met een vochtige doek en mild schoonmaakmiddel.
- Maak de kunststof behuizing of handvat niet schoon met een agressief schoonmaakmiddel. Deze kunnen door bepaalde aromatische oliën, zoals pijnboom en citroen, en oplosmiddelen, zoals kerosine, worden beschadigd. Vocht kan risico op elektrische schokken met zich meebrengen. Veeg eventueel vocht weg met een zachte en droge doek.
- Maak de ventilatieopeningen van de achterste behuizing schoon met een kleine borstel of een stofzuiger met een kleine borstel om ze van obstakels te ontdoen.

HET APPARAAT OPBERGEN

- Verwijder het accupack van de grastrimmer wanneer niet in gebruik.
- Maak het gereedschap grondig schoon voordat u het opbergt.
- Berg het apparaat op in een droge, goed geventileerde en afsluitbare ruimte of op een hoge hoogte en buiten het bereik van kinderen. Berg het apparaat niet op in de buurt van meststoffen, benzine of andere chemicaliën.

Het milieu beschermen



Gooi geen elektrische apparaten, acculaders en accu's/oplaadbare batterijen met het huisafval weg!

Elektrische en elektronische apparaten, in overeenstemming met de Europese wet 2012/19/EG, en defecte of verbruikte accupacks/batterijen, in overeenstemming met 2006/66/EG, moeten afzonderlijk worden ingezameld.

Als elektrische apparaten op een stortereen of vuilnisbelt terechtkomen, kunnen gevaarlijke stoffen in het grondwater lekken en in de voedselketen komen wat schadelijk is voor uw gezondheid en welzijn.

NL

EG CONFORMITEITSVERKLARING



Wij, EGO EUROPE GMBH

Wahlwiesenstrasse 1, D-71711 Steinheim an der Murr
Deutschland

Verklaren dat het product **56V lithium-ion accu grastrimmer ST1210E** voldoet aan de essentiële gezondheids- en veiligheidsvoorschriften van de volgende richtlijnen:

2006/42/EG, 2014/30/EU, 2011/65/EU, 2000/14/EG

Standaarden en technische specificaties waaraan wordt gerefereerd:

EN 60335-1, EN 50636-2-91, EN 55014-1, EN 55014-2

Gemeten geluidsvermogensniveau: 90,76dB(A).

Gewaarborgd geluidsvermogensniveau: 91dB(A).

Conformiteitsbeoordelingsprocedure van bijlage VI wordt in acht genomen conform 2000/14/EG.

Geregistreerde keuringsinstantie: Société Nationale de Certification et d'Homologation

Geregistreerde keuringsinstantienummer: 0499

Peter Melrose
Algemeen directeur van
EGO Europe GmbH

Dong Jianxun
Kwaliteitsmanager van
Chervon

* (Gautoriseerde vertegenwoordiger voor CHERVON en verantwoordelijk voor de technische documentatie)

01/09/2016

PROBLEEMOPLOSSING

PROBLEEM	OORZAAK	OPLOSSING
Accugrastrimmer-start niet.	<ul style="list-style-type: none"> ■ Het accupack is niet met de grastrimmer verbonden. ■ Er is geen elektrisch contact tussen de grastrimmer en accu. ■ Het accupack is uitgeput. ■ De ontgrendelingshendel en trekker zijn niet gelijktijdig ingeduwd. 	<ul style="list-style-type: none"> ■ Verbind het accupack met de grastrimmer. ■ Verwijder het accupack, controleer de aansluitklemmen en plaats het accupack terug. ■ Laad het accupack op. ■ Om de grastrimmer te starten, duw de ontgrendelingshendel omlaag en houd op deze positie. Duw vervolgens de trekker in.
Accugrastrimmer-stopt tijdens het maaien.	<ul style="list-style-type: none"> ■ Het scherm is niet op de grastrimmer gemonteerd waardoor de snijdraad te lang is en de motor oververhit raakt. ■ Er wordt zware snijdraad gebruikt. ■ De motoras of snijkop zit vol met gras. ■ De motor is overbelast. ■ Het accupack of de grastrimmer is te warm. ■ Het accupack is niet met het gereedschap verbonden. ■ Het accupack is uitgeput. 	<ul style="list-style-type: none"> ■ Verwijder het accupack en monteer het scherm op de trimmer. ■ Gebruik alleen nylon snijdraad met een diameter van max. 2,0mm. ■ Stop de grastrimmer, haal het accupack uit en verwijder het gras van de motoras en snijkop. ■ Verwijder het gras uit de snijkop. De motor werkt opnieuw zodra het gras is verwijderd. Beweeg de snijkop tijdens het maaien in en uit het gras en verwijder niet meer dan 20 cm gras in één maaibeurt. ■ Laat het accupack of de trimmer afkoelen totdat de temperatuur lager dan 67°C is. ■ Installeer het accupack opnieuw. ■ Laad het accupack op.
De draad wordt niet door de snijkop vrijgegeven.	<ul style="list-style-type: none"> ■ De motoras of snijkop zit vol met gras. ■ Er is onvoldoende draad op de spoel. ■ De snijkop is vuil. ■ Draad zit vast in de spoel. ■ De draad is te kort. 	<ul style="list-style-type: none"> ■ Stop de grastrimmer, haal het accupack uit en verwijder het gras van de motoras en snijkop. ■ Verwijder het accupack en vervang de snijdraad volgens de sectie "DE DRAAD VERVANGEN" in deze handleiding. ■ Verwijder het accupack en maak de spoel, vastzetting en basis schoon. ■ Verwijder het accupack en verwijder de snijdraad van de spoel en wikkel op, volgens de sectie "DE DRAAD VERVANGEN" in deze handleiding. ■ Verwijder het accupack en trek aan de draden terwijl de aantikknop afwisselen wordt ingeduwd en losgelaten.

PROBLEEM	OORZAAK	OPLOSSING
Gras wordt om de snijkop en motorbehuizing gewikkeld.	<ul style="list-style-type: none">■ Lang gras wordt op grondniveau gemaaid.	<ul style="list-style-type: none">■ Maai lang gras van boven naar onder en verwijder niet meer dan 20cm per maaibeurt om omwikkeling te voorkomen.
Draad wordt niet goed afgeknipt.	<ul style="list-style-type: none">■ Het mes voor het snijden van de draad op de rand van het scherm is bot.	<ul style="list-style-type: none">■ Slijp het mes met behulp van een vijl of vervang het door een nieuwe.

GARANTIE

EGO GARANTIEVOORWAARDEN

Bezoek onze website egopowerplus.com voor alle voorwaarden van de EGO garantie.

LÆS ALLE ANVISNINGER!



LÆS & FORSTÅ BRUGSANVISNING

⚠ Særlig risiko! Folk med elektroniske anordninger, såsom pacemakere, bør spørge deres læge til råds, før de bruger dette produkt. Betjening af elektrisk udstyr i umiddelbar nærhed af en pacemaker kan forårsage forstyrrelser eller svigt af pacemakeren.

⚠ ADVARSEL: For at sikre sikkerhed og pålidelighed, bør alle reparationer og udskiftninger udføres af en kvalificeret servicetekniker.

DK

SIKKERHEDSSYMBOLER

Formålet med sikkerhedssymboler er at gøre dig opmærksom på mulige farer. Du bør være meget opmærksom på sikkerhedssymbolerne og forklaringer til dem og lære at forstå dem. Symboladvarsler fjerner ikke i sig selv eventuelle farer. Anvisningerne og advarslerne er ingen erstatning for korrekte forebyggelsesforanstaltninger mod ulykker.

⚠ ADVARSEL: Sørg for at læse og forstå alle sikkerhedsanvisninger i denne brugsanvisning, inklusive alle sikkerhedssymboler, såsom "FARE", "ADVARSEL" og "FORSIGTIG", før du bruger dette værktøj. Hvis du ikke følger advarsler og anvisninger, kan det resultere i elektrisk stød, brand og/eller alvorlig personskade.

SYMBOLBETYDNING

SYMBOL FOR SIKKERHEDSVARSEL: Angiver FARE, ADVARSEL eller FORSIGTIG. Kan anvendes i kombination med andre symboler eller piktogrammer.



⚠ ADVARSEL: Brugen af et elværktøj kan resultere i, at du får fremmedlegemer i øjnene, hvilket kan give alvorlige øjenskader. Inden du begynder at bruge et elværktøj, skal du altid bære beskyttelsesbriller eller sikkerhedsbriller med sidebeskyttelse og om nødvendigt en fuld ansigtsmaske. Vi anbefaler en maske med bredt udsyn til brug over briller eller standard sikkerhedsbriller med sidebeskyttelse.

SIKKERHEDSANVISNINGER

Denne side viser og beskriver sikkerhedssymboler, der kan forekomme på dette produkt. Læs, forstå, og følg alle anvisninger på apparatet, før du forsøger at samle og betjene det.

	Sikkerhedsvarsel	Forholdsregler omkring din sikkerhed.
	Læs brugsanvisningen	For at nedsætte risikoen for personskade, skal brugeren læse og forstå brugsanvisningen, før dette produkt tages i brug.
	Bær beskyttelsesbriller	Bær altid beskyttelsesbriller eller sikkerhedsbriller med sidebeskyttelse og om nødvendigt en fuld ansigtsmaske.
	Brug høreværn	Bær altid høreværn, når du betjener dette produkt.
	Diameter af snor	Diameteren af nylontrimmersnoren
	Trimmebredde	Græstrimmerens maks. klippebredde
	Må ikke udsættes for regn	Må ikke anvendes i regnvejrer eller efterlades udendørs, mens det regner.
	Klasse II-konstruktion	Dobbeltisoleret konstruktion.
	Hold omkringstående på afstand	Sørg for, at andre mennesker og kæledyr står mindst 15m væk fra græstrimmeren, når den er i brug.
	Hold omkringstående på afstand	Sørg for, at andre mennesker og kæledyr står mindst 15m væk fra græstrimmeren, når den er i brug.
V	Volt	Spænding
A	Ampere	Strøm
Hz	Hertz	Frekvens (cyklusser pr. sekund)
W	Watt	Effekt
min	Minutter	Tid
	Vekselstrøm	Type spænding

	Jævnstrøm	Type af eller egenskab for strøm
n_0	Hastighed uden belastning	Rotationshastighed uden belastning
... /min	Pr. minut	Omdrejninger pr. minut

VIGTIGE SIKKERHEDSANVISNINGER

⚠ ADVARSEL: Ved brug af græstrimmere skal grundlæggende sikkerhedsprocedurer altid følges for at reducere risikoen for brand, elektrisk stød og personskade, herunder følgende:

LÆS GRUNDIGT INDEN BRUG

GEM TIL SENERE BRUG.

⚠ FARE: Stol ikke på værktøjets isolering mod elektrisk stød. For at reducere risikoen for en elektricitetsulykke skal man aldrig betjene apparatet i nærheden af nogen form for ledninger eller kabler (stærkstrøm etc.), som kan være strømførende.

⚠ FORSIGTIG: Brug egnet personligt høreværn under brug. Under visse betingelser og afhængigt af varigheden af brug kan støj fra dette produkt bidrage til høretab.

UNDERVISNING

- Læs anvisningerne grundigt igennem. Bliv fortrolig med alle knapper og håndtag og den korrekte brug af apparatet.
- Lad aldrig personer, der ikke kender disse anvisninger, eller børn til at bruge apparatet. Lokale forskrifter kan sætte aldersgrænser for en operatør.
- Husk, at operatøren eller brugeren er ansvarlig, hvis andre personer eller andres ejendom udsættes for ulykke eller fare.

FORBEREDELSE

- Brug aldrig apparatet, mens folk, især børn, eller kæledyr er tæt på.
- Bær altid øjenbeskyttelse og solide sko, mens du betjener apparatet.

BETJENING

- Brug kun apparatet i dagslys eller godt kunstigt lys.
- Anvend aldrig apparatet med defekte kapper eller skærme eller uden kapper eller skærme monteret.
- Tænd kun for motoren, når hænder og fødder er væk fra trimmerdelen.

- Afbryd altid apparatet fra strømforsyningen (dvs. tag stikket ud af stikkontakten, eller udløs stopanordningen).
 - Når apparatet forlades uden opsyn.
 - Før en blokering fjernes.
 - Før apparatet kontrolleres, rengøres eller der udføres arbejde på det.
 - Efter at have ramt et fremmedlegeme.
 - Når apparatet begynder at vibrere unormalt.
 - Pas på skade på hænder og fødder fra trimmerdelen.
 - Sørg altid for, at ventilationsåbningerne holdes fri for snavs og skidt.

VEDLIGEHOLDELSE OG OPBEVARING

- Afbryd apparatet fra strømforsyningen (dvs. tag stikket ud af stikkontakten, eller udløs stopanordningen), før udførelse af vedligeholdelse eller rengøring.
- Brug kun fabrikantens anbefalede reservedele og tilbehør.
- Efterse og vedligehold apparatet regelmæssigt. Få kun apparatet repareret af en autoriseret reparatør.
- Når apparatet ikke er i brug, opbevar maskinen utilgængeligt for børn.

ANDRE SIKKERHEDSADVARSLER

- Undgå farlige omgivelser – Brug ikke trimmere på fugtige eller våde steder.
- Sluk altid for græstrimmeren, eller fjern batteripakken, når trimmeren forlades uden opsyn.
- Må ikke anvendes i regn.
- Hold børn på afstand – Alle omkringstående skal holdes i god afstand af arbejdsområdet.
- Korrekt påklædning – Bær ikke løst tøj eller smykker. De kan blive fanget i bevægelige dele. Brug af gummihandsker og solidt fodtøj anbefales, når der arbejdes udendørs. Brug håret til langt hår.
- Brug sikkerhedsbriller – Brug altid en ansigts- eller støvmaske, hvis arbejdet er støvet.
- Brug det rigtige værktøj - Brug ikke værktøjet til noget job ud over det, som det er beregnet til.
- Tving ikke trimmeren – Den vil gøre arbejdet bedre og med mindre sandsynlighed for skade ved den hastighed, som den er designet til.
- Læn dig ikke for langt frem – Hav hele tiden ordentligt fodfæste, og vær i balance.
- Vær opmærksom, se, hvad du laver. Brug din sunde fornuft. Brug ikke trimmeren, når du er træt.
- Brug ikke trimmeren, hvis du er træt eller er påvirket af narkotika, alkohol eller medicin.
- Hold kapper på plads og i orden.

- Opbeva trimmeren indendørs – Når du ikke bruger trimmeren skal den opbevares indendørs på et tørt og aflåst op sted med batteripakken fjernet – utillgængeligt for børn.
- Vedligehold trimmeren omhyggeligt – Hold trimmerdelen ren, så yder den bedst, og man mindsker risikoen for skader. Følg anvisningerne for udskiftning af tilbehør. Hold håndtag tørre, rene og fri for olie og fedt.
- Kontrollér beskadigede dele – Før yderligere brug af trimmeren, skal en kappe eller en anden del, som er beskadiget, omhyggeligt kontrolleres for at se, om den vil fungere korrekt og udføre sin tilsigtede funktion. Kontrollér, at de bevægelige dele ikke er fejljusterede eller binder eller er i en tilstand, der kan påvirke trimmerens drift. En kappe eller en anden del, der er beskadiget, bør repareres korrekt eller udskiftes af et autoriseret serviceværksted, medmindre andet er angivet i denne vejledning.
- Ryd området, hvor der skal klippes, før hver brug. Fjern alle genstande, såsom sten, glasskår, søm, tråd eller snor, der kan slynges ud eller blive viklet ind i trimmerdelen. Sørg for, at andre personer og kæledyr er mindst 15m væk.
- Før du bruger apparatet, og efter stød, skal du kontrollere for tegn på slid eller skader, og foretage reparation efter behov.
- Hold altid trimmeren fast med begge hænder på håndtagene under arbejdet. Hold fast med fingre og tommelfingre omkring håndtagene.
- Undgå utilsigtet start. – Bær ikke trimmeren med fingeren på startknappen.
- Brug ikke trimmeren i omgivelser med benzinlignende eller eksplosive stoffer. Motorerne i disse apparater udsender normalt gnist, og gnisterne kan antænde dampe.
- Undgå, at røre ved farlige bevægende dele, før maskinen slukkes (eller batteripakken tages ud af maskinen) og de farlige bevægende dele er stoppet helt.
- Skade på trimmeren – Hvis du rammer et fremmedlegeme med trimmeren, eller den bliver filtreret ind, så stop omgående værktøjet, og fjern batteripakken fra græstrimmeren. Undersøg for skader, og få eventuelle skader udbedret, før arbejdet forsøges genoptaget. Brug ikke med en beskadiget kappe eller spole.
- Hvis udstyret skulle begynde at vibrere unormalt, så stop motoren, fjern batteriet fra græstrimmeren. og undersøg straks årsagen. Vibrationer er generelt en advarsel om problemer. Et løst hoved kan vibrere, revne, knække eller løse sig fra trimmeren, hvilket kan resultere i alvorlige eller dødelige kvæstelser. Sørg for, at trimmerdelen er anbragt korrekt og sidder fast. Hvis hovedet løsner sig, efter at det er sat på plads, skal det udskiftes med det samme. Brug aldrig en trimmer med en løs trimmerdel.
- Udskift straks et revnet, beskadiget eller slidt trimmerhoved, selv om skaden er begrænset til overfladiske revner. Sådanne påmonteringer kan splintre ved høj hastighed og forårsage alvorlige skader eller dødsfald.
- Kontrollér regelmæssigt og ofte trimmerdelen, når der arbejdes, eller omgående, hvis der er en mærkbar forandring i måden, hvorpå apparatet trimmer.
- Brug kun polymer tilbehør til trimmersnor (Ø2,0 mm) og trimmersnor, der er godkendt af EGO™, der er beregnet til brug med dette værktøj. Selv om visse uautoriserede påmonteringer kan påsættes EGO™-græstrimmeren, kan være yderst farligt at anvende dem, og/eller de kan skade værktøjet.
- For at mindske risikoen for alvorlig personskade, så brug aldrig ståltråd eller snor forstærket med metal eller andet materiale i stedet for trimmersnor af nylon. Ståltrådsstykker kunne løse sig og blive kastet ud med høj hastighed mod operatøren eller omkringstående.
- For at mindske risikoen for personskade ved tab af kontrol, skal man aldrig arbejde på en stige eller på ethvert andet usikkert underlag. Hold aldrig trimmerdelen over hofteøjehøjde.
- Hvis der opstår situationer, der ikke er dækket i denne vejledning, så vær forsigtig og brug din gode dømmekraft. Kontakt EGO's servicecenter for at få hjælp.
- Oplad ikke batteripakken i regnvej, eller hvor der er vådt.
- Brug kun med de batteripakker og opladere, der er anført nedenfor:

BATTERI	OPLADER
BA1120E, BA2240E, BA2800, BA3360, BA4200	CH5500E, CH2100E

- Batteripakken skal fjernes fra apparatet, før det kasseres.
- Batteriet skal bortskaffes på en sikker måde
- Smid ikke batteriet i ilden. Cellerne kan eksplodere. Undersøg de lokale forskrifter for eventuelle særlige anvisninger på bortskaffelse.
- Undlad at åbne eller mishandle batteriet. Udsivende elektrolyt er ætsende og kan forårsage skader på øjne eller hud. Det kan være giftigt ved indtagelse.
- Udvis omhu i håndtering af batterier for ikke at kortslutte batteriet med ledende materialer, såsom ringe, armbånd og nøgler. Batteriet eller leder kan blive overophedet og forårsage forbrændinger.

- Ved service må der kun bruges originale reservedele fra EGO. Brug af andet tilbehør eller påmontering kan øge risikoen for skader.
- Batteridrevne værktøjer behøver ikke at være tilsluttet en stikkontakt, derfor er de altid driftsklar. Vær opmærksom på mulige farer, selv når værktøjet ikke arbejder. Vær forsigtig, når du udfører vedligeholdelse eller service.
- Undlad at vaske med en slange; undgå at få vand i motor og elektriske forbindelser.
- Gem disse anvisninger. Brug dem ofte, og brug dem til at instruere andre, der skal bruge dette værktøj. Hvis du låner nogen dette værktøj, så lad dem få anvisningerne med, så de også undgår fejlbrug af produktet og mulig personskaade.
- Bær altid kraftigt fodtøj og lange bukser, mens du betjener apparatet.
- Sørg altid for fodfæste på skråninger og at gå i stedet for at løbe.

GEM DISSE ANVISNINGER!

SPECIFIKATIONER

Spænding	56 V $\overline{\text{---}}$	
Hastighed ubelastet	7000 / min	
Trimmemekanisme	Fjederhoved	
Type trimmersnor	AL0800 rund nylonsnor 2,0 mm diam.	
Trimmebredde	30 cm	
Vægt (uden batteripakke)	2,85 kg	
Målt lydeffektniveau L_{WA}	90,76 dB(A) K=2,5 dB(A)	
Maksimal lydtryk ved brugerens øre L_{PA}	75,0 dB(A) K=2,5 dB(A)	
Garanteret lydeffektniveau L_{WA} (målt i henhold til direktiv 2000/14/EF)	91 dB(A)	
Vibration a_n	Hjælpehåndtag	3,279 m/s ² K=1,5 m/s ²
	Bageste håndtag	4,915 m/s ² K=1,5 m/s ²

- Den samlede værdi af angivne vibrationer er målt i overensstemmelse med en standardiseret prøvningsmetode og kan anvendes til at sammenligne et værktøj med et andet
- Den samlede angivne værdi for vibrationer kan også anvendes ved en foreløbig vurdering af eksponeringen.

BEMÆRK: Udsendelsen af vibrationer ved faktisk brug af elværktøjet kan afvige fra den angivne værdi, der hvor værktøjet anvendes. For at beskytte operatøren, bør vedkommende bære handsker og høreværn under de faktiske brugsbetingelser.

PAKKELISTE

DELENS NAVN	ANTAL
Græstrimmer	1
Kappe	1
Montage af forreste hjælpehåndtag	1
Unbrakonøgle	1
Brugsanvisning	1

DK

BESKRIVELSE

KEND DIN GRÆSTRIMMER (fig. A)

1. startknap
2. bageste håndtag
3. låsehåndtag
4. blød manchete
5. justerbart forreste hjælpehåndtag
6. skaft
7. fjederhusbeskytter
8. fjederknop
9. fjederhoved (trimmerhoved)
10. kappe
11. kniv til afkortning af snor
12. frigørelsesmekanisme
13. elektriske kontakter
14. spærre
15. udløserknap til batteri

MONTERING

⚠ ADVARSEL: Hvis der er dele, der er beskadigede eller mangler, anvendes apparatet ikke, før delene er udskiftet. Brug af dette produkt med beskadigede eller manglende dele kan medføre alvorlig personskaade.

⚠ ADVARSEL: Forsøg ikke at ændre dette produkt eller fremstille tilbehør, der ikke anbefales til brug med denne græstrimmer. Enhver sådan ændring eller modifikation er misbrug og kan resultere i en farlig situation, der fører til eventuel alvorlig personskaade.

⚠ ADVARSEL: For at forebygge utilsigtet start, der kunne forårsage alvorlig personskade, skal man altid fjerne batteripakken fra produktet, når der monteres dele.

MONTERING AF KAPPE (fig. B og C og D)

⚠ ADVARSEL: Brug altid handsker ved montering eller udskiftning af kappen. Vær forsigtig med kniven på kappen, og beskyt din hånd mod at blive skåret.

⚠ ADVARSEL: Brug aldrig værktøjet uden kappen solidt på plads. Kappen skal altid være på værktøjet for at beskytte brugeren! Når kappen er monteret, så forsøg aldrig at fjerne eller tilpasse den; hvis der er behov for udskiftning, skal det gøres af en kvalificeret servicetekniker!

Vend trimmerhovedet om, løsn og fjern de to skruer. Derefter justeres styreribberne med husets riller; skub kappen på plads, og lås den med de to skruer. Sørg for, at indersiden af kappen vender mod trimmerhovedet.

MONTERING OG JUSTERING AF FORRESTE HJÆLPEHÅNDTAG

Skub forreste hjælpehåndtag på skaftet (fig. F), sæt derefter låseblokken i rillen på håndtaget (fig. G), isæt låsepalen, lås dem med vingemøtrikken (fig. H). Rækkefølgen ses i fig. E. Endelig justeres hjælpehåndtagets stilling, så din forreste arm er strakt, når du bruger trimmeren (fig. I), og lås derefter grebet på låsepalen (fig. J).

Beskrivelse af dele på fig. W og X, se nedenfor:

E-1	Hjælpehåndtag	E-4	Vingemøtrik
E-2	Låsepal	I-1	Blød manchete
E-3	Låseblok	I-2	Advarselsmærke

BEMÆRK: Hjælpehåndtaget skal vende, så det peger opad mod toppen af håndtaget.

⚠ ADVARSEL: Fastgør kun hjælpehåndtaget foran den bløde manchete på akslen.

⚠ ADVARSEL: Værktøjet kan ikke bruges uden solid fastgørelse af hjælpehåndtaget.

BETJENING

⚠ ADVARSEL: Selvom du kender dette produkt, så bliv ikke skødesløs. Husk, at skødesløshed i en brøkdal af et sekund kan forvolde betydelig personskade.

⚠ ADVARSEL: Bær altid beskyttelsesbriller med sidebeskyttelse. Sammen med høreværn. Uden disse kan man blive ramt af genstande, der kastes ind i øjnene eller forårsager andre alvorlige skader.

⚠ ADVARSEL: Anvend ikke påmonteringer eller tilbehør, der ikke anbefales af fabrikanten af dette produkt. Brug af påmonteringer eller tilbehør, der ikke anbefales, kan forårsage alvorlig personskade.

⚠ ADVARSEL: Brug kun din græstrimmer sammen med passende trimmersnor til at trimme græs og lignende.

⚠ ADVARSEL: For at forebygge utilsigtet start, der kunne forårsage alvorlig personskade, skal man altid fjerne batteripakken fra produktet, når der monteres dele, foretages justeringer, rengøres, eller når den ikke bruges.

Du kan bruge dette produkt til de formål, der er nævnt nedenfor:

Trimning: anvendes til at fjerne græs og ukrudt op mod vægge, hegn, træer og skel.

Klipning: anvendes til at klippe græs, der er svært at nå med en almindelig plæneklipper.

BEMÆRK: Værktøjet skal kun bruges til det formål, det er beregnet til. Enhver anden anvendelse, f.eks. kantrimning, anses for at være et tilfælde af misbrug

PÅSÆTNING / AFTAGNING BATTERIPAKKEN

Fuld opladning før første brug.

Påsætning (fig. K)

Flugt batteriets ribber med monteringsrillerne, og tryk batteripakken ned, indtil du hører et „klik“.

Aftagning (fig. L)

⚠ ADVARSEL: Vær altid opmærksom på dine fødders placering og på børn eller kæledyr omkring dig, når du trykker på udløserknappen til batteriet. Der kan opstå alvorlig skade, hvis batteripakken falder. Fjern ALDRIG batteriet, når du står højt hævet.

Tryk på knappen til batteriudløseren, og træk batteripakken ud.

SÅDAN HOLDES GRÆSTRIMMEREN

⚠ ADVARSEL: Bær rigtig påklædning for at mindske risikoen for skader, når du betjener dette værktøj. Bær ikke løst tøj eller smykker. Bær øjen- og øre- / høreværn. Bær kraftige, lange bukser, støvler og handsker. Gå ikke i korte bukser, sandaler eller på bare fødder.

For betjening: Hold trimmeren med begge hænder; den ene hånd på det bageste håndtag og den anden på det forreste hjælpehåndtag. Armen skal være strakt (fig. M). Kontrollér så, at du er i balance, står oprejst og i korrekt trimmeafstand.

START / STOP AF GRÆSTRIMMER (fig. N)

Start

Tryk ned på låsehåndtaget og hold det i denne stilling. Tryk på startknappen for at tænde græstrimmeren.

Stop

Slip låsehåndtag og startknap.

⚠ ADVARSEL: Fjern altid batteripakken fra græstrimmeren under pauser, og når arbejdet er slut.

BRUG AF GRÆSTRIMMER

⚠ ADVARSEL: For at undgå alvorlig personskade bæres altid beskyttelsesbriller eller sikkerhedsbriller, når denne enhed betjenes. Brug en ansigtsmaske eller støvmaske, hvor der er støvet.

Ryd området, hvor der skal trimmes, før hver brug. Fjern alle genstande, såsom sten, glasskår, søm, tråd, eller linje, der kan slynges eller blive viklet ind i trimmerdelen. Få børn, tilskuere og kæledyr væk fra området. Hold alle børn, omkringstående og kæledyr mindst 15m væk. Tilskuere kan stadig være i fare for at blive ramt af genstande, der slynges ud. Omkringstående bør opfordres til at bære øjenbeskyttelse. Hvis nogen nærmer sig, så stop straks motoren og trimmerdelen.

Før hver anvendelse undersøges for skader / slidte dele

Tjek fjederhoved, kappe og fronthjælpehåndtag, og udskift de dele, der er revnede, skæve, bøjedede eller beskadigede på nogen måde.

Snorkniven på kanten af kappen bliver med tiden sløv. Det anbefales regelmæssigt at slibe den med en fil eller udskifte den med en ny kniv.

⚠ ADVARSEL: Brug altid handsker ved montering af kappe eller ved slibning eller udskiftning af kniven. Vær forsigtig med kniven på kappen, og beskyt din hånd mod at blive skåret.

Efter hver brug rengøres trimmeren.

- Brug kun mild sæbe og en fugtig klud til at rengøre værktøjet. Lad aldrig væsker komme ind i værktøjet, nedsænk det aldrig i nogen form for væske.
- Hold altid lufthuller i motorhuset og skaffet fri for snavs og skidt (fig. O).

Beskrivelse af dele på fig. O, se nedenfor:

0-1	Lufthuller i skaft
0-2	Lufthuller i motorhus

⚠ FORSIGTIG: Forhindringer i ventilationsåbningerne forhindrer luften i at komme ind i motorhuset og forårsager overophedning eller beskadigelse af motoren.

⚠ ADVARSEL: Brug aldrig vand til rengøring af din trimmer. Undgå at bruge opløsningsmidler ved rengøring af plastdele. De fleste plastmaterialer risikerer at blive ødelagt ved brug af forskellige typer af alment tilgængelige opløsningsmidler. Brug rene klude til at fjerne snavs, støv, olie, fedt osv.

JUSTERING AF TRIMMERSNORENS LÆNGDE

Fjederhovedet giver operatøren mulighed for at frigive mere trimmersnor uden at stoppe motoren. Efterhånden som snoren bliver flosset eller slidt, kan man frigive ekstra snor ved at trykke fjederknoppen let mod jorden, mens trimmeren kører (Sfig. P).

For de bedste resultater, skal du trykke fjederknoppen ned på bar jord eller hård jord. Hvis det forsøges at frigive snor i højt græs, kan motoren blive overophedet. Hold altid trimmersnoren i fuld længde. Frigivelse af snor bliver vanskeligere, når trimmersnoren bliver kortere.

⚠ ADVARSEL: Du må ikke fjerne snorkniven eller ændre på den enhed, hvor den sidder. For lang snor vil få motoren til at overophede og kan give i alvorlige personskader.

ARBEJDE MED FJEDERHUSBESKYTTEREN

Fjederhusbeskytteren kan begrænse trimmersnorens aktionsområde og mindske risikoen for, at snoren forårsager skade (fig. Q)

Fjederhusbeskytteren bruges ved at vippe den ned fra lodret (fig. R).

⚠ ADVARSEL: Fjederhovedet kan fortsætte med at rotere kortvarigt, efter at du har slukket græstrimmeren. Vent på, at fjederhovedet stopper helt, før du justerer fjederhusbeskytteren. Må ikke justeres med foden.

UDSKIFTNING AF SNOR

BEMÆRK: Brug altid standard trimmersnor af nylon med en diameter på højst 2,0 mm.

⚠ ADVARSEL: Brug aldrig metalforstærket snor, ståltråd, reb etc. Disse kan brække af og blive farlige projektiler.

Trimmersnoren kan udskiftes på 2 måder:

1. Spol ny snor på spolen.
2. Isæt en fuld spole (AS1301, om nødvendigt, fås hos forhandler).

Spol ny snor på spolen.

Tryk på de to løsetappe nederst på spolen, og træk spoleholderen ud (fig. S). Skær ca. 7 m trimmersnor af. Fold snoren, og spol den på spolen. Se fig. T og U. Derefter puttes snorens ender gennem de to modsatte hak i spolen (fig. V). Spolen sættes i holderen ved at flugte hakkene med holderens øjer (fig. W). Til sidst flugtes holderens riller med tappene på spolens kant, og holderen trykkes lige ned. Sørg for, at holderen klikker på plads (fig. X).

BEMÆRK: Rengør altid spoleholder, spole og spolekant, før trimmerhovedet monteres igen. Undersøg spoleholder, spole og spolekant for slid. Hvis det er nødvendigt, udskiftes slidte dele.

BEMÆRK: Hvis man spoler snoren op i den forkerte retning, vil trimmerhovedet ikke fungere korrekt.

Installér en fuld spole

Tryk på de to løsetappe nederst på spolen, og træk spoleholderen ud (fig. S). Sæt derefter en fuld spole i holderen. Dens hak skal flugte med holderens øjer (fig. W). Til sidst flugtes holderens riller med tappene på spolens kant, og holderen trykkes lige ned. Sørg for, at holderen klikker på plads (fig. X).

Beskrivelse af dele på fig. W og X, se nedenfor:

W-1	Hak	X-1	Tap
W-2	Øje	X-2	Rille

BEMÆRK: Sørg for, at tappene på spolens kant klikker på plads; ellers vil spolen falde ud under arbejdet.

VEDLIGEHOLDELSE

⚠ ADVARSEL: Ved service må der kun bruges originale reservedele. Efterse og vedligehold apparatet regelmæssigt. For at sikre sikkerhed og pålidelighed skal alle reparationer udføres af en kvalificeret servicetekniker.

⚠ ADVARSEL: Batteridrevne værktøjer behøver ikke at være tilsluttet en stikkontakt, derfor er de altid driftsklar. Tag ekstra forholdsregler og udvis forsigtighed, når du udfører vedligeholdelse, service eller skal ændre trimmertilbehør eller andre påmonteringer.

⚠ ADVARSEL: For at undgå alvorlig personskade fjernes batteripakken fra værktøjet før service, rengøring, udskiftning af påmonteringer, eller før der fjernes materiale fra apparatet.

RENGØRING AF APPARATET

- Rengør apparatet med en fugtig klud med et mildt rengøringsmiddel.
- Brug ikke stærke rengøringsmidler på plasthus eller håndtaget. De kan blive beskadiget af visse aromatiske olier, såsom fyr og citron, og opløsningsmidler såsom petroleum. Fugt kan også give elektrisk stød. Tør fugt af med en blød tør klud.
- Brug en lille børste eller luftaftrækket på en lille støvsugerbørste til at rengøre lufthullerne for forhindringer på det bageste hus.

OPBEVARING AF APPARATET

- Fjern batteripakken fra græstrimmeren, når den ikke er i brug.
- Rengør værktøjet grundigt, før det lægges væk.
- Opbevar apparatet på et tørt og godt ventileret sted, der er låst og utilgængeligt for børn. Opbevar ikke apparatet på eller ved siden af gødning, benzin eller andre kemikalier.

Beskyttelse af miljøet

Smid ikke elektrisk udstyr, batterioplader og batterier / genopladelige batterier i affaldsspanden!

Ifølge EU-direktiv 2012/19/EU og EU-direktiv 2006/66/EF skal henholdsvis elektrisk og elektronisk udstyr, der ikke længere er brugbart, og defekte eller brugte batterier / batteripakker indsamles særskilt.

Hvis elektriske apparater smides på lossepladsen eller affaldsdeponier kan der sive giftige stoffer ned i grundvandet og komme ud i fødekæden og gøre skade på menneskers sundhed og velfærd.

EU-OVERENSSTEMMELSESERKLÆRING

Vi, EGO EUROPE GMBH

Wahlwiesenstrasse 1, D-71711 Steinheim an der Murr
Deutschland

erklærer, at produktet **56V lithium-ion batteridrevet hækkeklipper ST1210E** er i overensstemmelse med de væsentlige sundheds- og sikkerhedskrav i følgende direktiver:

2006/42/EC, 2014/30/EU, 2011/65/EU, 2000/14/EC

Anførte standarder og tekniske specifikationer:

EN 60335-1, EN 50636-2-91, EN 55014-1, EN 55014-2

Målt lydeffektniveau: 90,76 dB(A).

Garanteret lydeffektniveau: 91 dB(A).

Enheden er i overensstemmelse med proceduren i Bilag VI i henhold til 2000/14EC.

Bemyndiget organ: Société Nationale de Certification et d'Homologation

Bemyndiget organ-nummer: 0499

DK

Peter Melrose
Administrerende direktør for
EGO Europe GmbH

Dong Jianxun
kvalitetschef for Chervon

* (Autoriseret repræsentant for CHERVON og ansvarlig for tekniske dokumentationer)

01/09/2016

FEJLFINDING

PROBLEM	ÅRSAG	LØSNING
Græstrimmer starter ikke.	<ul style="list-style-type: none"> ■ Batteripakken er ikke sat på trimmeren. ■ Ingen elektrisk kontakt mellem trimmer og batteri. ■ Batteripakken er afladet. ■ Låsehåndtag og startknappen er ikke blevet trykket ned samtidigt. 	<ul style="list-style-type: none"> ■ Sæt batteripakken på trimmeren. ■ Fjern batteriet, kontrollér kontakter, og sæt batteripakken på igen. ■ Oplad batteripakken. ■ Tryk ned låsehåndtaget ned og hold det, tryk derefter på startknappen for at starte græstrimmeren.
DK Græstrimmer stopper, mens der trimmes.	<ul style="list-style-type: none"> ■ Kappen er ikke monteret på trimmeren, hvilket resulterer i en alt for lang trimmersnor og overbelastning af motoren. ■ Der anvendes kraftig trimmersnor. ■ Motoraksel eller trimmerhoved er fyldt med græs. ■ Motoren er overbelastet. ■ Batteripakke eller græstrimmer er for varm. ■ Batteripakken er taget af værktøjet. ■ Batteripakken er afladet. 	<ul style="list-style-type: none"> ■ Fjern batteripakken, og sæt kappen på trimmeren. ■ Brug kun med nylonsnor med en diameter på 2,0 mm eller mindre. ■ Stop trimmeren, fjern batteriet, og fjern græs fra motoraksel og trimmerhoved. ■ Løft trimmerhovedet op fra græsset. Motoren vil begynde at arbejde igen, så snart belastningen er fjernet. Når der trimmes, flyttes trimmerhovedet ind og ud af græsset, der skal trimmes. Der bør højst fjernes 20 cm ad gangen i et enkelt snit. ■ Lad batteripakke eller trimmer køle indtil temperaturen falder til under 67 °C. ■ Sæt batteripakken på plads igen. ■ Oplad batteripakken.
Trimmerhoved rykker ikke snoren frem.	<ul style="list-style-type: none"> ■ Motoraksel eller trimmerhoved er fyldt med græs. ■ Der er ikke tilstrækkelig snor på spolen. ■ Trimmerhovedet er snavset. ■ Snoren er filtret på spolen. ■ Snoren er for kort. 	<ul style="list-style-type: none"> ■ Stop trimmeren, fjern batteriet, og fjern græs fra motoraksel og trimmerhoved. ■ Fjern batteriet, og udskift snoren; se afsnittet "UDSKIFTNING AF SNOR" i denne vejledning. ■ Fjern batteriet, og rens spolen, spoleholderen og spolekant. ■ Fjern batteriet, fjern snoren fra spolen og spol den på igen; se afsnittet "UDSKIFTNING AF SNOR" i denne vejledning. ■ Fjern batteriet og træk i snorene, mens fjederknoppen skiftevis trykkes ned og slippes.

PROBLEM	ÅRSAG	LØSNING
Græs er snoet omkring trimmerhoved og motorhus.	<ul style="list-style-type: none">■ Trimning af højt græs i jordhøjde.	<ul style="list-style-type: none">■ Klip højt græs oppefra og ned, og tag ikke mere end 20 cm hver gang for at forhindre, at græsset snor sig fast.
Snoren skærer ikke godt.	<ul style="list-style-type: none">■ Snorkniven på kanten af kappen er blevet sløv.	<ul style="list-style-type: none">■ Slib kniven med en fil eller skift den ud med en ny kniv.

GARANTI

EGO's GARANTIPOLITIK

Besøg venligst hjemmesiden egopowerplus.com for fuldstændige vilkår og betingelser for EGO's garantipolitik.

LÄS IGENOM ALLA INSTRUKTIONER!



LÄS IGENOM OCH FÖRSTA BRUKSANVISNINGEN

⚠ Kvarstående risker! Personer med elektroniska implantat såsom hjärtstimulatorer bör konsultera sin(a) läkare innan de använder denna produkt. Användning av elutrustning nära en hjärtstimulator kan störa eller avbryta dess funktion.

⚠ VARNING! Alla reparationer bör utföras av en kvalificerad servicetekniker för att upprätthålla produktens säkerhet och driftssäkerhet.

SÄKERHETSSYMBOLER

SE

Syftet med säkerhetssymboler är att fästa din uppmärksamhet på eventuella risker. Säkerhetssymbolerna och deras betydelse bör uppmärksammas noga och förstås. Själva varningssymboler kan dock inte förebygga någon fara. De instruktioner och varningar som de hänvisar till kan aldrig ersätta lämpliga olycksförebyggande åtgärder.

⚠ VARNING! Se till att läsa igenom och förstå alla säkerhetsinstruktioner i bruksanvisningen, inklusive alla varningssymboler såsom **“RISK”**, **“VARNING”** och **“VAR FÖRSIKTIG”**, innan produkten tas i bruk. Underlåtenhet att följa alla nedan angivna instruktioner kan leda till elstöt, brand och/eller svår personskada.

YMBOLERNAS BETYDELSE

SÄKERHETSRELATERAD VARNINGSSYMBOL:

Betecknar RISK, VARNING eller VAR FÖRSIKTIG. Kan förekomma i samband med andra symboler eller piktogram.



⚠ VARNING! Arbeta med eldrivna verktyg kan medföra att främmande föremål slungas upp i ögonen vilket kan orsaka svåra ögonskador. Ta alltid på dig skyddsglasögon eller skyddsglasögon med sidoskydd och vid behov ett komplett ansiktsskydd innan du börjar arbeta med eldrivna verktyg. Vi rekommenderar att använda ett heltäckande visir ovanpå glasögon eller vanliga skyddsglasögon med sidoskydd.

SÄKERHETSINSTRUKTIONER

På denna sida anges säkerhetssymboler som kan förekomma på produkten. Alla instruktioner som anges på enheten bör granskas, förstås och följas innan du försöker montera och använda den.

	Säkerhetsvarning	Försiktighetsåtgärder som berör din säkerhet.
	Läs igenom bruksanvisningen	Användaren bör läsa igenom och förstå bruksanvisningen innan produkten tas i bruk för att minska risken för personskada.
	Använd skyddsglasögon!	Ha alltid på dig skyddsglasögon eller skyddsglasögon med sidoskydd och ett komplett ansiktsskydd under arbete med denna produkt.
	Använd hörselskydd	Ha alltid på dig hörselskydd under arbete med denna produkt.
	Tråddiameter	Diametern på skärtråden av nylon.
	Klippbredd	Grästrimmerns max klippbredd.
	Får inte utsättas för regn	Får inte användas i regn eller lämnas utomhus medan det regnar.
	Konstruktion av klass II	Konstruktion med dubbel isolering.
	Håll obehöriga på avstånd	Se till att övriga personer och husdjur håller ett avstånd på minst 15 meter från trådrimmern när den används.
	Håll obehöriga på avstånd	Se till att övriga personer och husdjur håller ett avstånd på minst 15 meter från trådrimmern när den används.
V	Volt	Spänning
A	Ampere	Ström
Hz	Hertz	Frekvens (cykler per sekund)
W	Watt	Effekt
min	Minuter	Tid
	Växelström	Strömtyper
	Likström	Strömtyper eller -specifikation
n_0	Obelastad hastighet	Rotationshastighet i obelastat tillstånd
.../min	Per minut	Rotationer per minut

VIKTIGA SÄKERHETSINSTRUKTIONER

⚠ VARNING! Grundläggande försiktighetsåtgärder bör alltid vidtas vid användning av grässtrimmers för att minska risken för brand, elstöt och personskada, bl a de nedan angivna:

LÄS NOGA IGENOM FÖRE ANVÄNDNING

SPARA FÖR FRAMTIDA BEHOV

⚠ FARA! Lita inte enbart på verktygets isolering för skydd mot elstöt. Maskinen får aldrig användas nära ledningar eller kablar (el osv) som kan vara spänningssatta.

⚠ FÖRSIKTIGHET! Ha på dig lämpligt hörselskydd under arbetet. I vissa förhållanden och vid längre användning kan buller från produkten bidra till hörselnedsättning.

UTBILDNING

- Läs noga igenom instruktionerna. Lär känna styrenheterna och korrekt användning av maskinen.
- Låt inga personer som inte är förtrogna med dessa instruktioner använda maskinen. Lokala föreskrifter kan begränsa användarens ålder.
- Glöm inte att operatören eller användaren ansvarar för olyckor och risker som andra personer eller deras egendom utsätts för.

FÖRBEREDELSE

- Maskinen får inte användas i närheten av andra människor, särskilt barn, eller husdjur.
- Använd alltid skyddsglasögon och kraftiga skor under arbete med denna maskin.

ANVÄNDNING

- Maskinen får endast användas i dagsljus eller i bra belysning.
- Maskinen får inte användas med skadade skydd eller skärmar eller utan påmonterade skydd eller skärmar.
- Motorn får startas först när händerna och fötterna är på säkert avstånd från trimmerhuvudet.
- Koppla alltid ur maskinen från strömkällan (dvs dra ut stickproppen ur uttaget eller avlägsna säkerhetsnyckeln):
 - När maskinen lämnas utan uppsyn;
 - Innan man avlägsnar en tilltappning;
 - Före kontroll, rengöring eller ingrepp på maskinen;
 - Efter stöt mot ett hinder;

- När maskinen börjar vibrera onormalt.
- Undvik hand- och fotskador pga trimmerhuvudet.
- Se alltid till att luftöppningarna är fria från skräp.

UNDERHÅLL OCH FÖRVARING

- Koppla ur maskinen från strömkällan (dvs dra ut stickproppen ur uttaget eller avlägsna säkerhetsnyckeln) före underhåll eller rengöring.
- Använd endast reservdelar och tillbehör som rekommenderas av tillverkaren.
- Granska maskinen och utför underhåll regelbundet. Reparationer får endast utföras av en auktoriserad reparatör.
- Förvara maskinen oåtkomligt för barn medan den inte används.

ÖVRIGA SÄKERHETSVARNINGAR

- Undvik farliga miljöer - Grässtrimmers får inte användas i fuktiga eller våta miljöer.
- Stäng alltid av grässtrimmern eller ta ut batteripacket när trimmern lämnas utan uppsyn.
- Grässtrimmern får inte användas i regn.
- Håll barn på avstånd - Alla obehöriga bör hållas utanför arbetsområdet.
- Ha på dig lämpliga kläder - Använd inga löst sittande kläder eller smycken. De kan fastna i rörliga maskindelar. Gummihandskar och skyddsskor rekommenderas vid arbete utomhus. Täck över långt hår.
- Använd skyddsglasögon - Använd alltid ett ansiktsskydd eller en skyddsmask i dammiga miljöer.
- Använd rätt verktyg - Maskinen får inte användas för något annat ändamål än det avsedda.
- Trimmern får inte forceras - Den fungerar bättre och med mindre risk för personskada vid hastigheter som den är avsedd för.
- Sträck dig inte för långt - Se till att du hela tiden har säkert fotfäste och balans.
- Var uppmärksam - Se vad du gör. Använd sunt förnuft. Trimmern får inte användas medan du är trött.
- Trimmern får inte användas medan du är påverkad av alkohol eller narkotika.
- Se till att skydden är påmonterade och i funktionsdugligt skick.
- Förvara trimmern inomhus - Medan trimmern inte används bör den förvaras inomhus, med urtaget batteripack, i ett torrt och högt beläget eller låst ställe - oåtkomligt för barn.

- Ta hand om trimmern - Håll trimmerhuvudet rent för bästa resultat och för att minska risken för personskada. Följ instruktionerna för byte av tillbehör. Håll handtagen torra, rena och fria från olja och smörjmedel.
- Kontrollera skadade detaljer - Ett skadat skydd eller annan detalj bör kontrolleras noga innan trimmern används igen för att försäkra sig om att det fungerar korrekt och fyller dess avsedda funktion. Kontrollera maskinen för skevning eller kärvning av rörliga detaljer, skada på detaljer, fel montering eller annat som kan påverka verktygets funktion. Ett skadat skydd eller annan detalj ska repareras korrekt eller bytas ut på ett auktoriserat servicecenter om inte annat anges i bruksanvisningen.
- Städa arbetsområdet före varje användning. Avlägsna alla föremål såsom stenar, glasskärvor, spikar, metalltråd eller snöre som kan slungas ut eller fastna i trimmerhuvudet. Se till att andra personer och husdjur förblir på minst 15m avstånd.
- Kontrollera maskinen för nötning eller skada före varje användning och efter varje stöt mot hinder, reparera efter behov.
- Se alltid till att hålla trimmern i stadigt grepp under arbetet, med båda händerna på handtagen. Grip runt handtagen med fingrarna och tummarna.
- Undvik oavsiktlig start - Trimmern får inte bäras med fingret på avtryckaren.
- Trimmern får inte användas i närvaro av bensinångor eller i andra explosiva miljöer. Motorer på sådana maskiner avger gnistor vid normal drift som kan tända ångor.
- Vidrör inte de rörliga, farliga delarna innan maskinen stängts av (eller batteripacket tagits ut ur maskinen) och de rörliga, farliga delarna har stannat helt.
- Skada på trimmern - Om trimmern stöter mot ett främmande föremål eller fastnar, stäng av maskinen omedelbart, ta ut batteripacket ur trimmern, kontrollera den för skada och få alla eventuella skador reparerade innan grästrimmern används igen. Maskinen får inte användas med ett skadat skydd eller en skadad spole.
- Om maskinen börjar vibrera onormalt, stäng av motorn, ta ut batteripacket ur grästrimmern och ta omedelbart reda på orsaken. Vibration tyder oftast på problem. Ett löst trimmerhuvud kan vibrera, spricka, gå sönder eller lossna från trimmern vilket kan medföra risk för svåra personskador eller död. Se till att trimmerhuvudet sitter ordentligt fast. Om huvudet lossnar efter att det har fästs på plats, få det utbytt omedelbart. Trimmern får aldrig användas med löst trimmerhuvud.
- Ett sprucket, skadat eller nött trimmerhuvud ska bytas ut omedelbart, även om det handlar om yttliga sprickor. Sådana detaljer kan gå sönder vid hög hastighet och orsaka svåra personskador eller död.
- Kontrollera trimmerhuvudet ofta och regelbundet under arbetet eller omedelbart när man märker en förändring i trimningsfunktionen.
- Använd endast godkända EGO™-tillbehör för polymerskärtråd (Ø2,0 mm) och en skärtråd som är avsedd för användning med denna maskin. Trots att vissa ej godkända tillbehör går att montera på grästrimmern av EGO™ kan användning av dessa visa sig ytterst farlig och/eller skadlig för verktyget.
- Använd aldrig någon metalltråd eller metallförstärkt tråd i stället för nylontråd för att minska risken för svåra personskador. Sådan tråd kan gå sönder och bitarna kan slungas ut vid hög hastighet mot operatören eller andra människor.
- Arbeta aldrig på en stege eller något annat ostadigt underlag för att minska risken för personskada pga att man tappar kontrollen. Trimmerhuvudet får aldrig hållas ovanför midjehöjden.
- Var försiktig och använd sunt förnuft i situationer som inte beskrivs i bruksanvisningen. Kontakta EGO:s servicecenter för hjälp.
- Batteripacket får inte laddas i regn eller väta.
- Använd endast med nedan angivna batteripack och laddare:

BATTERI	LADDARE
BA1120E, BA2240E, BA2800, BA3360, BA4200	CH5500E, CH2100E

- Ta ut batteripacket ur maskinen innan den kasseras.
- Kassera det uttjänta batteriet på ett säkert sätt.
- Batteriet får inte kastas i eld. Cellerna kan explodera. Rådfråga lokala myndigheter om eventuella särskilda regler om hantering
- Försök aldrig att öppna eller bryta sönder batteriet. Utläckt elektrolyt är frätande och kan skada ögonen eller huden. Den kan vara giftig vid förtäring.
- Hantera batterier försiktigt för att undvika kortslutning pga strömförande material såsom ringar, armband och nycklar. Batteriet eller det strömförande föremålet kan bli hett och orsaka brännsår.
- Använd endast identiska reservdelar av EGO™ vid service. Användning av andra tillbehör eller detaljer kan öka risken för personskada

- Batteridrivna verktyg behöver inte anslutas till ett uttag; därför är de alltid användningsklara. Var medveten om eventuella risker medan det batteridrivna verktyget inte används. Var försiktig vid underhåll eller service.
- Spola inte med vatten; undvik inträngning av vatten i motorn och elkopplingarna.
- Spara dessa instruktioner. Läs dem ofta och använd dem för att instruera eventuella övriga användare av enheten. Om du lånar enheten till någon bör dessa instruktioner följa med för att förebygga eventuell fel användning och personskada.
- Ha alltid på dig skydds skor och långbyxor under användning av maskinen.
- Behåll alltid säkert fotfäste på sluttningar och gå med maskinen, spring inte.

SPARA DESSA INSTRUKTIONER!

SPECIFIKATIONER

Spänning	56 V ---
Obelastad hastighet	7000 /min
Skärmekanism	Trådhuvid
Trimmertrådens typ	AL0800 Ø2,0 mm rund lina av nylon
Klippbredd	30 cm
Vikt (utan batteripack)	2,85 kg
Uppmätt ljudeffektnivå L_{WA}	90,76 dB(A) K=2,5 dB(A)
Maximal ljudtrycksnivå vid operatörens öra L_{PA}	75,0 dB(A) K=2,5 dB(A)
Garanterad ljudeffektnivå L_{WA} (uppmätt i enlighet med 2000/14/EC)	91 dB(A)
Vibration a_h	Främre handtag 3,279 m/s ² K=1,5 m/s ²
	Bakre handtag 4,915 m/s ² K=1,5 m/s ²

- Det angivna totalvärdet för vibration är uppmätt enligt standardprovningmetoden och kan användas för att jämföra olika verktyg;
- Det angivna totalvärdet för vibration kan även användas vid preliminär utvärdering av exponering.

OBS! Den verkliga vibrationen under arbete med det eldrivna verktyget kan avvika från det angivna värdet. Användaren bör ha på sig lämpliga handskar och hörselskydd för de aktuella arbetsförhållandena för att skydda sig.

LEVERANSLISTA

ARTIKELNAMN	ANTAL
Grästrimmer	1
Skydd	1
Komplett främre hjälphandtag	1
Sexkantnyckel	1
Bruksanvisning	1

BESKRIVNING

LÄRA KÄNNA DIN TRÅDTRIMMER (bild A)

1. Avtryckare
2. Bakre handtag
3. Upplåsningsreglage
4. Mjuk hylsa
5. Justerbart främre handtag
6. Axel
7. Stötskydd
8. Stötknopp
9. Trådhuvid (skärhuvid)
10. Skydd
11. Skärblad för trådkapning
12. Utskjutningsmekanism
13. Elektriska kontakter
14. Spärr
15. Frigöringsknapp för batteriet

SE

MONTERING

⚠ VARNING! Om någon av delarna skadats eller saknas, använd inte denna produkt förrän delarna har bytts ut. Användning av denna produkt med skadade eller saknade delar kan resultera i allvarliga personsador.

⚠ VARNING! Försök inte att modifiera denna produkt eller skapa tillbehör som inte rekommenderas för användning med denna trådtrimmer. Alla sådana ändringar eller modifieringar är felaktig användning och resulterar i farliga förhållanden som kan leda till allvarliga personsador.

⚠ VARNING! För att förhindra oavsiktlig start som kan orsaka allvarliga personsador, ta alltid ut batteripacket från verktyget vid montering av delar.

MONTERA SKYDDET (bild B, C och D)

⚠ VARNING! Använd alltid handskar vid montering eller utbyte av skyddet. Var försiktig med skärbladet på skyddet och skydda din hand.

⚠ VARNING! Använd aldrig verktyget utan att skyddet är korrekt på plats. Skyddet måste alltid vara monterat på verktyget för att skydda användaren! När skyddet är fastsatt, försök aldrig att ta bort eller justera det. Om utbyte krävs måste det utföras av en kvalificerad servicetekniker! Lagg ner trimmern med huvudet uppåt, lossa sedan och ta bort de två skruvarna. Rikta sedan in guidelisterna med skärorna på höljet, tryck skyddet på plats och lås fast det med de två skruvarna. Se till att skyddets inre yta är riktad mot trimmerhuvudet.

MONTERA OCH JUSTERA DET FRÄME HANDTAGET

Tryck in det främre handtaget på axeln (bild F), för sedan in klämblocket i handtaget (bild G), montera låsstäng och lås fast dem på plats med vingmuttern (bild H). Sekvensen visas i bild E. Justera slutligen det främre handtagets position så att din främre arm är rak när du använder trimmern (bild I) och lås sedan fast låsstäng med spaken (bild J).

Bild E och I. Se nedan för beskrivning av delar:

E-1	Främre handtag	E-4	Vingmutter
E-2	Låsstång	I-1	Mjuk hylsa
E-3	Klämblock	I-2	Varningsetikett

⚠ OBS! Det främre handtaget ska vridas uppåt så att det riktas mot handtagets övre del.

⚠ VARNING! Fäst endast det främre handtaget framför den mjuka hylsan på axeln.

⚠ VARNING! Verktyget kan inte användas utan att det främre handtaget är korrekt fastsatt.

ANVÄNDNING

⚠ VARNING! Var aldrig vårdslös, även om du är väl förtrogen med verktyget. Glöm inte att en bråkdel av en sekund av ouppmärksamhet är tillräcklig för att orsaka svåra personskador

⚠ VARNING! Ha alltid på dig skyddsglasögon med sideskydd och även hörselskydd. Underlåtenhet att följa denna regel kan leda till ögonskador pga utslungade föremål och andra svåra personskador.

⚠ VARNING! Använd inga detaljer eller tillbehör som inte rekommenderas av tillverkaren av denna produkt. Användning av ej rekommenderade detaljer eller tillbehör kan leda till svåra personskador.

⚠ VARNING! Grästrimmern får endast användas med en lämplig skärtråd som endast är avsedd för gräs och dyligt.

⚠ VARNING! För att förhindra att maskinen startas oavsiktligt, vilket kan orsaka allvariga personskador, ta alltid ut batteripacket ur verktyget vid montering av delar, justeringar, rengöring eller när den inte används.

Du kan använda denna produkt för de tillämpningar som listas nedan:

Trimning: Används för att ta bort gräs och ogräs mot väggar, staket, träd och kanter.

Beskärning: Används för att kapa gräs som är svårt att komma åt med en vanliga gräsklippare.

OBS! Verktyget får endast användas för sitt avsedda ändamål. All annan användning, t.ex. häcktrimning, anses vara en felaktig användning.

MONTERA/TA BORT PATERIPACKET

Ladda fullt före första användning.

Montera (bild K)

Rikta in listerna på batteriet med monteringsspåren och tryck sedan ner batteripacket tills du hör ett "klick".

Ta loss (bild L)

⚠ VARNING! Var alltid försiktig med dina fötter, barn eller husdjur som är i din närhet när du trycker på frigöringsknappen för lövbålsaren. Allvarliga personskador kan inträffa om batteripacket tappas. Ta ALDRIG ut batteripacket när du är på en hög plats.

Tryck in frigöringsknappen för batteriet och dra sedan ut batteripacket.

HÅLLA TRÅDTRIMMERN

⚠ VARNING! Använd korrekta kläder för att minska risken för personskador vid användning av detta verktyg. Använd inte löst sittande kläder eller smycken. Använd ögon- och öron-/hörselskydd. Använd rejäla långbyxor, kängor och handskar. Använd inte shorts, sandaler eller gå barfota.

Före användning, håll trimmern med båda händerna, ena handen på det bakre handtaget och den andra på det främre handtaget som ska vara rakt (bild M). Se sedan till att du har ett bra fotfäste och ett lämpligt skäravstånd.

STARTA/STOPPA TRÅDTRIMMERN (bild N)

Starta

Tryck in startspärren och håll in den i det läget. Tryck på avtryckaren igen för att slå på trådtrimmern.

Stoppa

Släpp upp startspärren och avtryckaren.

⚠ VARNING! Ta alltid ut batteripacket ur trädtrimmern vid arbetspauser och efter att du har jobbat klart.

ANVÄNDA TRÄDTRIMMERN

⚠ VARNING! Använd alltid skyddsglasögon eller skyddsglasögon med sidoskydd under arbetet med verktyget. Använd även ett ansiktsskydd eller dammask i dammiga miljöer.

Städa arbetsområdet före varje användning. Avlägsna alla föremål såsom stenar, glasskärvor, spikar, metalltråd eller snöre som kan slungas ut eller fastna i trimmerhuvudet. Håll barn, obehöriga och husdjur borta. Håll dem på minst 30m avstånd; risk pga utslungade föremål kan förekomma. Det rekommenderas att närvarande människor ska ha på sig skyddsglasögon. Om någon närmar sig arbetsområdet, stäng omedelbart av motorn och trimmerhuvudet.

Kontrollera maskinen för skada/nötta detaljer före varje användning

Kontrollera trimmerhuvudet, skyddet och det främre hjälphandtaget och byt ut spruckna, skeva, böjda eller annars skadade detaljer.

Trädkniven på skyddets kant kan bli slö med tiden. Det rekommenderas att slipa den periodiskt eller byta ut den mot en ny kniv.

⚠ VARNING! Ha alltid på dig skyddshandskar vid montering av skyddet eller slipning eller byte av kniven. Var försiktig med kniven på skyddet och undvik skärsår på händerna.

Rengör trimmern efter varje användning.

■ Verktyget får endast rengöras med mild tvål och en fuktig trasa. Ingen vätska får tränga in i verktyget; ingen detalj av verktyget får placeras i någon vätska.

■ Se alltid till att luftöppningarna i skaffet är fria från skräp (bild O).

Bild O. Se nedan för beskrivning av delar:

0-1	Luftventiler på axeln
0-2	Luftventiler på motorhöljet

⚠ FÖRSIKTIGHET! Tilltappningar i luftöppningarna hindrar luftflöde i motorhöljet och kan leda till överhettning av eller skada på motorn.

⚠ VARNING! Trimmern får aldrig rengöras med vatten. Undvik användning av lösningsmedel vid rengöring av plastdetaljer. De flesta plastmaterialen är känsliga mot olika vanliga lösningsmedel. Använd rena trasor för att avlägsna smuts, damm, olja, smörjmedel osv.

JUSTERING AV TRÅDLÄNGD

Stöthuvudet möjliggör operatören att mata fram mer skärtråd utan att stänga av motorn. Om tråden blir fransig eller nött kan ny tråd matas fram genom att lätt knacka stöthuvudet mot marken under arbetet med trimmern (bild P).

Knacka stöthuvudet mot bar mark eller hård jord för bästa resultat. Motorn kan bli överhettad om man försöker mata fram tråd i högt gräs. Se alltid till att tråden är helt spänd. Frammatning av tråd blir svårare när skärtråden blir kortare.

⚠ VARNING! Försök aldrig att avlägsna eller modifiera trädkniven. För lång skärtråd orsakar överhettning av motorn och kan leda till svåra personskador.

ANVÄNDNING AV STÖTSKYDD

Stötskyddet begränsar skärtrådens skärområde och minskar risken för skador pga den roterande skärtråden (bild Q).

Fäll ner stötskyddet från förvaringsläget för att använda det (bild R).

⚠ VARNING! Trimmerhuvudet kan fortsätta att rotera i en kort stund efter att du stänger av grästrimmern. Vänta tills trimmerhuvudet stannar helt innan du justerar stötskyddet. Försök inte att justera stötskyddet med foten.

BYTA UT TRÅDEN

OBS! Använd alltid skärtråd av standardnylon med en diameter på högst 0,2, 0 mm.

⚠ VARNING! Använd aldrig metallförstärkta trådar, kablar, rep osv. Dessa kan gå av och bli farliga projektiler.

Det finns två olika metoder för att byta ut skärtråden:

1. Linda spolen med ny tråd.
2. Montera en förlindad spole (AS1301, kontakta din återförsäljare om nödvändigt).

Linda spolen med ny tråd.

Tryck in de två flikarna på spolens bas och dra ut spolhållaren (bild S). Ta fram cirka 7 meter ny skärtråd. Linda in det i spolen enligt bild T och U. Placera sedan trådändarna genom de två motsatta skårorna i spolen (bild V). Placera sedan spolen i dess hållare med skårorna riktade mot hållarens trådhål (bild W). Rikta sluttingen i hållarens hål med flikarna på spolens bas och tryck ner hållaren. Se till att den knäpps på plats (bild X).

OBS! Rengör alltid spolhållaren, spolen och spolens bas före montering av trimmerhuvudet. Kontrollera spolhållaren, spolen och spolens bas efter slitage. Byt ut de slitna delarna om nödvändigt.

OBS! Om tråden inte lindas in i riktningen som visas kommer trimmerhuvudet att fungera felaktigt.

Montera en förlindad spole

Tryck in de två flikarna på spolens bas och dra ut spolhållaren (bild S). Placera sedan den förlindade spolen i hållaren med skårorna riktade mot hållarens trådhål (bild W). Rikta slutligen in hållarens hål med flikarna på spolens bas och tryck ner hållaren. Se till att den knäpps på plats (bild X).

Bild W och X. Se nedan för beskrivning av delar:

W-1	Skåra	X-1	Flik
W-2	Hål	X-2	Spår

OBS! Se till att flikarna på spolens bas knäpps på plats annars kommer spolen att lossna vid användning.

- Rengör maskinen noggrant innan den ställs av.
- Förvara maskinen i ett torrt, väl ventilerat, låst eller högt beläget ställe, oåtkomligt för barn. Maskinen får inte förvaras på eller nära konstgödsel, bensin eller andra kemikalier.

UNDERHÅLL

⚠ VARNING! Använd endast identiska reservdelar vid service. Användning av andra detaljer kan leda till risker eller skada på produkten. Granska maskinen och utför underhåll regelbundet. Alla reparationer bör utföras av en kvalificerad servicetekniker för att upprätthålla säkerhet och driftssäkerhet.

⚠ VARNING! Batteridrivna verktyg behöver inte anslutas till ett uttag; därför är de alltid användningsklara. Var särskilt försiktig och noggrann vid underhåll eller service eller vid byte av skärenheten eller andra enheter för att förebygga svåra personskador.

⚠ VARNING! Ta ut batteripacket ur verktyget före service, rengöring eller byte av tillbehör eller innan du rensar maskinen från avklippt material för att förebygga svåra personskador.

RENGÖRING AV MASKINEN

- Rengör maskinen med en fuktig trasa och mildt rengöringsmedel.
- Använd inga starka rengöringsmedel på plasthöljet eller handtaget. Dessa är känsliga mot vissa eteriska oljor såsom tall och citron samt lösningsmedel såsom fotogen. Även fukt kan medföra risk för elstöt. Torka av eventuell fukt med en mjuk, torr trasa.
- Rengör luftöppningarna i skaflet med hjälp av en liten borste eller utblås av en liten handdammsugare.

FÖRVARA ENHETEN

- Ta ut batteripacket ur grässtrimmern när maskinen inte används.

Miljöskydd



Elektriska enheter, batteriladdare och batterier/uppladdningsbara batterier får inte kastas med hushållsavfall!

Enligt det europeiska direktivet 2012/19/EU ska uttjänta elektriska och elektroniska enheter samlas separat; samma gäller för defekta eller uttjänta batteripack/batterier enligt det europeiska direktivet 2006/66/EG.

Om elektriska enheter hamnar i soptippar eller avfallsdepåer kan farliga ämnen läcka ut till grundvattnet, hamna i näringskedjan och skada din hälsa och ditt välmående.

EG-FÖRSÄKRAN OM ÖVERENSSTÄMMELSE



Vi, EGO EUROPE GMBH

Wahlwiesenstrasse 1, D-71711 Steinheim an der Murr Deutschland

Försäkrar att produkten **56V sladdlös grästrimmer med litium-jonbatteri ST1210E** uppfyller de grundläggande hälso- och säkerhetskraven enligt följande direktiv:

2006/42/EU, 2014/30/EG, 2011/65/EG, 2000/14/EU

Tillämpade standarder och tekniska specifikationer:

EN 60335-1, EN 50636-2-91, EN 55014-1, EN 55014-2

Uppmätt ljudeffektnivå: 90,76 dB(A).

Garanterad ljudeffektnivå: 91 dB(A).

Bedömning av överensstämmelse för Bilaga VI följs enligt 2000/14/EG.

Anmält organ: Société Nationale de Certification et d'Homologation

Nummer för anmält organ: 0499

SE

Peter Melrose
VD för EGO Europe GmbH

Dong Jianxun
Kvalitetsansvarig hos Chervon

* (Auktoriserad representant för CHERVON och ansvarig för teknisk dokumentation)

01/09/2016

FELSÖKNING

PROBLEM	ORSAK	ÅTGÄRD
Grästrimmern startar inte.	<ul style="list-style-type: none"> ■ Batteripacket är inte anslutet till grästrimmern ■ Elektrisk anslutning mellan trimmern och batteriet saknas. ■ Batteripacket är urladdat. ■ Säkring och avtryckaren är inte nedtryckta samtidigt. 	<ul style="list-style-type: none"> ■ Anslut batteripacket till grästrimmern ■ Ta ut batteriet, kontrollera kontakter och sätt i batteripacket igen. ■ Ladda batteripacket ■ Håll säkringen nedtryckt och tryck sedan ner avtryckaren för att starta grästrimmern.
Grästrimmern stänger av sig under arbetet.	<ul style="list-style-type: none"> ■ Skyddet är inte monterat på trimmern vilket har lett till för lång trimmertråd och överbelastning av motorn. ■ För tjock trimmertråd används. ■ Gräs har fastnat på motorskaftet eller trimmerhuvudet. ■ Motorn är överbelastad. ■ Batteripacket eller trimmern är för varmt. ■ Batteripacket är inte anslutet till verktyget ■ Batteripacket är urladdat. 	<ul style="list-style-type: none"> ■ Ta ut batteripacket och montera skyddet på trimmern. ■ Använd uteslutande trimmertråd av nylon med diameter på 2,0mm eller mindre. ■ Stäng av trimmern, ta ut batteriet och rensa motorskaftet och trimmerhuvudet från gräs. ■ Lyft upp trimmerhuvud från gräset. Motorn fortsätter att köra när belastningen avtar. Flytta trimmerhuvudet in i och ut ur gräset som ska klippas och klipp inte mer än 20cm i taget. ■ Låt batteripacket or trimmern svalna ned tills temperaturen är under 67°C. ■ Anslut batteripacket igen. ■ Ladda batteripacket.

SE

PROBLEM	ORSAK	ÅTGÄRD
Trimmerhuvudet matar inte fram ny skärtråd.	<ul style="list-style-type: none"> ■ Gräs har fastnat på motorskaftet eller trimmerhuvudet ■ Tråden håller på att ta slut på spolen ■ Smutsigt trimmerhuvud ■ Tilltraslad tråd på spolen ■ För kort tråd 	<ul style="list-style-type: none"> ■ Stäng av trimmern, ta ut batteriet och rensa motorskaftet och trimmerhuvudet från gräs. ■ Ta ut batteriet och montera ny tråd enligt avsnittet "BYTE AV TRIMMERTRÅD" i bruksanvisningen. ■ Ta ut batteriet och rengör spolhållaren och spolsockeln. ■ Ta ut batteriet, ta av tråden från spolen och linda den på nytt; följ instruktionerna i avsnittet "BYTE AV TRIMMERTRÅD" i bruksanvisningen. ■ Ta ut batteriet och dra i trådarna medan du trycker ner och släpper stöthuvudet upprepade gånger
Gräs fastnar i trimmerhuvudet och motorhöljet.	<ul style="list-style-type: none"> ■ Klippning av högt gräs vid marknivå. 	<ul style="list-style-type: none"> ■ Klipp högt gräs i flera etapper, inte mer än 20cm i taget, för att undvika att gräs fastnar på maskinen.
Tråden klipper dåligt.	<ul style="list-style-type: none"> ■ Trådkniven på skyddets kant är slö. 	<ul style="list-style-type: none"> ■ Slipa trådkniven med en fil eller byt ut den mot en ny kniv.

SE

GARANTI

GARANTIVILLKOREN AV EGO

Var god besök webbplatsen egopowerplus.com för att se de fullständiga garantivillkoren av EGO.

LUE KAIKKI OHJEET!



LUE KÄYTTÖOHJE SITEN, ETTÄ MYÖS YMMÄRRÄT SEN SISÄLLÖN

⚠ Vaara! Henkilöiden, joilla on elektroniikkalaitteita, kuten sydämentahdistimia, tulee neuvotella lääkärin kanssa ennen tuotteen käyttöä. Sähkölaitteiden käyttö sydämentahdistimen läheisyydessä voi aiheuttaa tahdistimeen häiriötä tai vikoja.

⚠ VAROITUS: Valtuutetun huoltoteknikon tulee suorittaa kaikki korjaukset ja osien vaihdot, jotta voidaan taata tuotteen turvallinen ja luotettava käyttö.

TURVAMERKIT

Turvamerkkien tavoitteena on kiinnittää huomio mahdollisiin vaaroihin. Sinun tulee lukea huolellisesti käyttöohjeet ja ymmärtää turvamerkit ja niiden selitteet. Turvamerkit eivät itsessään poista vaaraa. Niiden antamat ohjeet ja varoitukset eivät korvaa asianmukaisia tapaturman torjuntatoimenpiteitä.

⚠ VAROITUS: Varmista, että luet ja ymmärrät kaikki tämän käyttäjän käsikirjan turvallisuusohjeet, mukaan lukien kaikki vaaramerkit, kuten **“VAARA”**, **“VAROITUS”** ja **“HUOMIO”**, ennen kuin käytät työkalua. Alla mainittujen ohjeiden noudattamatta jättäminen voi aiheuttaa sähköiskun, tulipalon ja/tai vakavan henkilövahingon.

MERKIN SISÄLTÖ

VAROITUSMERKKI: Ilmaisee seuraavia: VAARA, VAROITUS TAI HUOMIO. Voidaan käyttää yhdessä muiden merkkien tai kuvamerkkien kanssa.



⚠ VAROITUS: Vierasesineitä voi sähkötyökalujen käytön seurauksena lentää silmiin, ja ne voivat aiheuttaa vakavan silmävamman. Käytä aina suojalaseja tai turvalaseja sivusuojilla ja tarvittaessa kokokasvosuojusta ennen sähkötyökalun käytön aloittamista. Suosittelemme laajan näkökentän kasvosuojusta silmälasien päälle tai vakioturvalaseja sivusuojilla.

TURVALLISUUSOHJEET

Tällä sivulla esitetään ja kuvataan tähän tuotteeseen mahdollisesti liittyvät turvamerkit. Lue kaikki koneen ohjeet siten, että ymmärrät ne, ja noudata niitä ennen kuin kasaat koneen ja käytät sitä.

	Turvallisuusvaroitus	Turvallisuuteen liittyvät varotoimenpiteet.
	Lue käyttäjän käsikirja	Tapaturmariskin pienentämiseksi käyttäjän täytyy lukea ja ymmärtää käyttäjän käsikirja ennen tuotteen käyttöä.
	Käytä suojalaseja	Käytä aina suojalaseja tai turvalaseja sivusuojilla ja kokokasvosuojusta, kun käytät tätä tuotetta.
	Käytä kuulosuojaimia	Käytä kuulosuojaimia aina, kun käytät tätä tuotetta.
	Siian halkaisija	Nylonvalmisteisen leikkusuojaimen halkaisija
	Leikkusuoleveys	Trimmerin maksimileikkusuoleveys
	Älä altista sateelle	Älä käytä sateessa tai jätä ulos sateella.
	Luokan II laite	Kaksoiseristetty rakenne
	Pidä sivulliset loitolla	Varmista, että muut ihmiset ja lemmikkieläimet ovat vähintään 15m päässä trimmeristä sen ollessa käytössä.
	Pidä sivulliset loitolla	Varmista, että muut ihmiset ja lemmikkieläimet ovat vähintään 15m päässä trimmeristä sen ollessa käytössä
V	Voltti	Jännite
A	Ampeerit	Virta
Hz	Hertsi	Taajuus (sykliä sekunnissa)
W	Wattia	Teho
min	Minuuttia	Aika
	Vaihtovirta	Virran tyyppi
	Tasavirta	Virran tyyppi tai virtajännite-ominaiskäyrä

n_0	Tyhjäkäynti- nopeus	Pyörimisnopeus, kuormittamattomana
... /min	Pyörintäno- peus	Kierrosta minuutissa

TÄRKEITÄ TURVALLISUUSOHJEITA

VAROITUS: Kun käytät trimmeriä, tiettyjä turvallisuuteen liittyviä varotoimenpiteitä tulee aina noudattaa tulipalon, sähköiskun ja henkilövahingon riskin pienentämiseksi. Niitä ovat esimerkiksi seuraavat:

LUE HUOLELLISESTI ENNEN KÄYTTÖÄ

SÄILYÄ OHJEET HUOLELLISESTI

VAARA: Älä luota työkalun sähköiskueristykseen. Tappavan sähköiskun riskin pienentämiseksi älä koskaan käytä konetta (sähkö- jne.) johtojen tai kaapeleiden läheisyydessä, koska ne voivat kuljettaa sähkövirtaa.

HUOMAUTUS: Pidä käytön aikana asianmukaista kuulosuojainta. Tietyissä käyttöolosuhteissa ja käytön kestäessä tietyn aikaa tuotteen melu voi aiheuttaa kuulovaurioita.

ENNEN KÄYTTÖÄ

- Lue ohjeet huolellisesti. Pehdy hallintalaitteisiin ja koneen asianmukaiseen käyttöön.
- Älä anna näihin ohjeisiin perheytymättömien henkilöiden tai lasten koskaan käyttää konetta. Paikalliset säännöt voivat rajoittaa käyttäjän ikää.
- Muista, että laitteen käyttäjä on vastuussa muille henkilöille tai heidän omaisuudelleen sattuvista tapaturmista tai aiheutuvista vaaroista.

KÄYTÖN VALMISTELU

- Älä koskaan käytä konetta muiden henkilöiden ja erityisesti lasten tai lemmikkieläinten lähellä.
- Pidä suojalaseja ja tukevia kenkiä aina, kun käytät konetta.

KÄYTTÖ

- Käytä konetta vain päivänvalossa tai hyvässä keinovalossa.
- Älä koskaan käytä konetta suojusten tai suojakilpien ollessa vaurioituneita tai ilman, että suojuukset tai suojakilvet ovat paikallaan.
- Käynnistä moottori vain, kun kädet ja jalat ovat kaukana leikkuuvälineistä.
- Kytke kone aina irti virransyötöstä (eli irrota pistoke verkkovirrasta tai irrota akku)

- kun jätät koneen valvomatta;
- ennen tukoksen poistamista;
- ennen kuin tarkastat, puhdistat tai huollat konetta;
- kun osut vieraaseen esineeseen;
- kun kone alkaa täristä normaalista poikkeavalla tavalla.
- Varo, että et vahingoita jalkoja ja käsiä leikkuuvälineillä.
- Varmista aina, että tuuletusaukkoihin ei kerry leikkuujätettä.

HUOLTO JA VARASTOINTI

- Kytke kone irti virransyötöstä (eli irrota pistoke verkkovirrasta tai irrota akku) ennen huolto- tai puhdistustoimenpiteitä.
- Käytä vain valmistajan suosittelemia varaosia ja lisävarusteita.
- Tarkasta ja huolla kone säännöllisin väliajoin. Korjauta kone vain valtuutetulla korjaajalla.
- Kun konetta ei käytetä, varastoi se lasten ulottumattomiin.

MUITA TURVALLISUUSVAROITUKSIA

- Vältä vaarallisia ympäristöjä - Älä käytä leikkureita kosteissa tai märissä paikoissa.
- Sammuta aina trimmeri tai irrota akkuyksikkö, kun jätät trimmerin valvomatta.
- Älä käytä sateessa.
- Pidä lapset loitolla - Kaikki ulkopuoliset tulee pitää riittävällä etäisyydellä työalueesta.
- Pukeudu asianmukaisesti - Älä käytä löysiä vaatteita tai koruja. Ne voivat tarttua liikkuviin osiin. Suosittelemme kumikäsineiden ja tukevien jalkineiden käyttöä ulkona työskenneltäessä. Laita pitkät hiukset kiinni.
- Käytä suojalaseja - Pidä aina kasvo- tai hengityssuojainta, jos trimmerin käytöstä syntyy paljon pölyä.
- Käytä oikeaa työkalua - Käytä työkalua ainoastaan sen käyttötarkoitusta vastaavaan työhön.
- Älä ylikuormita trimmeriä - Se tekee työn paremmin ja turvallisemmin sillä nopeudella, jolle se on suunniteltu.
- Älä kurkottele - Säilytä aina tukeva asento ja hyvä tasapaino
- Pysy valppaana - Keskity siihen, mitä teet. Käytä tervettä järkeä. Älä käytä trimmeriä väsyneenä.
- Älä käytä trimmeriä alkoholin tai huumausaineiden vaikutuksen alaisena.
- Pidä suojuukset paikoillaan ja käyttökunnossa.
- Varastoi trimmeriä sisätiloihin - Kun trimmeriä ei käytetä, se tulee varastoida sisätiloihin kuivaan ja korkeaan tai lukittuun paikkaan akkuyksikkö irrotettuna - lasten ulottumattomiin.

- Huolla trimmeri huolellisesti - Pidä trimmeri puhtaana parhaan suorituskyvyn aikaansaamiseksi ja loukkaantumisriskin pienentämiseksi. Noudata lisävarusteiden vaihtamiseen liittyviä ohjeita. Pidä kahvat kuivina, puhtaina, öljytöminä ja rasvattomina.
- Tarkasta vaurioituneet osat - Suojus tai muu vaurioitunut osa tulee tarkastaa huolellisesti ennen trimmerin käytön jatkamista, jotta sen voidaan määrittää toimivan asianmukaisella tavalla ja suorittavan sille tarkoitettun toiminnan. Tarkasta, onko liikkuvat osat kohdistettu oikein, esiintyykö niissä takertelua ja näkykö osissa vaurioita, onko ne asennettu oikein ja näkykö niissä muita tekijöitä, jotka voivat vaikuttaa sen toimintaan. Valtuutetun huoltopisteen tulee korjata tai vaihtaa suojus tai muu vaurioitunut osa, jollei muualla tässä käsikirjassa muuta ole mainittu.
- Tyhjennä leikattava alue ennen jokaista käyttöä. Poista kaikki esineet, kuten kivet, rikkoutunut lasi, naulat, vajjeri tai siima, jotka voivat sinkoutua trimmeristä tai sotkeutua siihen. Varmista, että muut henkilöt ja lemmikkieläimet ovat vähintään 15 m:n päässä.
- Tarkasta ennen koneen käyttöä ja siihen kohdistuneen iskun jälkeen koneen osat kulumisen ja vaurioiden varalta ja korjaa tarvittaessa.
- Kun käytät trimmeriä, pidä sitä aina tukevalla otteella molemmat kädet kahvoilla. Kiedo sormet ja peukalot kahvojen ympärille.
- Vältä koneen tahatonta käynnistämistä - Älä kannata trimmeriä sormi liipaisimella.
- Älä käytä trimmeriä bensiiniä sisältävissä tai räjähdysvaarallisissa ympäristöissä. Näiden laitteiden moottorit synnyttävät yleensä kipinöitä ja kipinät voivat sytyttää höyryt palamaan.
- Älä koske liikkuviin, vaarallisiin osiin ennen kuin laite on sammutettu (tai akku on poistettu laitteesta) ja liikkuvat, vaaralliset osat ovat pysähtyneet täysin.
- Trimmerin vaurioituminen - Jos osat vieraaseen esineeseen trimmerillä tai trimmeri sotkeutuu, pysäytä työkalu välittömästi, irrota akkuyksikkö trimmeristä, tarkasta vaurioiden varalta ja korjautaa vauriot ennen kuin yrität jatkaa trimmerin käyttöä. Älä käytä, jos suojus tai kela on rikkoutunut.
- Jos laite alkaa täräistä poikkeavasti, pysäytä moottori, irrota akkuyksikkö trimmeristä ja tarkasta välittömästi syy. Tärinä on yleensä merkki häiriöistä. Löysä siimapää voi täräistä, halkeilla, särkyä tai irrota trimmeristä, mistä voi seurata vakava tai hengenvaarallinen vahinko. Varmista, että siimapää on kiinnitetty paikalleen asianmukaisesti. Jos pää löystyy paikalleen kiinnittämisen jälkeen, vaihda se välittömästi. Älä koskaan käytä trimmeriä siimapään ollessa löysällä.
- Vaihda halkeillut, vaurioitunut tai loppuun kulunut siimapää välittömästi, vaikka vaurio olisikin vain pintahalkeama. Lisäosat voivat särkyä suuressa nopeudessa ja aiheuttaa vakavan tai hengenvaarallisen vahingon.
- Tarkasta siimapää säännöllisin välein käytön aikana tai välittömästi, jos leikkuukäyttämisesä ilmenee huomattava muutos.
- Käytä vain näiden työkalujen kanssa käytettäväksi suunniteltuja valtuutettuja EGO™-polymeeri-leikkusuiman lisävarusteita (Ø2,0 mm) ja leikkusuimaa. Vaikka tiettyjä valtuuttamattomia lisäosia voidaan kiinnittää EGO™-trimmeriin, niiden käyttö voi olla erittäin vaarallista ja/tai se voi vaurioittaa työkaluja.
- Henkilövahinkoriskin pienentämiseksi älä koskaan käytä vajjeria tai metallivahvisteita siimaa tai muuta materiaalia nylonvalmisteisten leikkusuimojen sijasta. Vajjerin palat voivat katketa ja sinkoutua kovalla vauhdilla kohti käyttäjää tai sivullisia.
- Hallinnan menettämisestä johtuvan loukkaantumisriskin pienentämiseksi älä koskaan käytä konetta tikapuilla tai muun epävakaan tuen päällä. Älä koskaan pidä siimapäätä vyötärön korkeuden yläpuolella.
- Jos esiintyy tilanteita, joita ei käsitellä tässä käsikirjassa, ole varovainen ja käytä hyvää harkintaa. Ota yhteyttä EGO-huoltopisteeseen avun saamiseksi.
- Älä lataa akkuyksikköä sateessa tai määrässä tilassa.
- Käytä vain alla mainittujen akkuyksikköjen ja latauslaitteiden kanssa:

AKKU	LATAUSLAITE
BA1120E, BA2240E, BA2800, BA3360, BA4200	CH5500E, CH2100E

- Akkuyksikkö täytyy irrottaa laitteesta ennen laitteen romuttamista.
- Akku on hävitettävä turvallisesti.
- Älä hävitä akkua polttamalla. Kennot voivat räjähtää. Tarkista paikallisista määräyksistä mahdolliset erityiset hävitysohjeet.
- Älä avaa tai turmele akkua. Vuotava akkuhappo on syövyttävää ja voi aiheuttaa silmä- tai ihovaurioita. Happo voi olla myrkyllistä nieltynä.
- Käsittele akkuja varoen, jotta et aiheuta akkuun oikosulkuja sähköä johtavilla materiaaleilla, kuten sormuksilla, rannekoruilla ja avaimilla. Akku tai johdin voi ylikuumeta ja aiheuttaa palovammoja.
- Käytä huollon yhteydessä vain valmistajan hyväksymiä varaosia. Kaikkien muiden lisävarusteiden tai lisäosien käyttö voi lisätä loukkaantumisriskiä.

- Akkutyökaluja ei tarvitse kytkeä sähköverkkoon; ne ovat siksi aina käyttökunnossa. Huomioi mahdolliset vaarat myös silloin, kun työkalua ei käytetä. Ole varovainen, kun suoritat kunnossapitoa tai huoltoa.
- Älä pese letkulla; estä veden pääsy moottoriin ja sähköliitäntöihin
- Säilytä nämä ohjeet. Lue niitä usein ja anna ne myös luettavaksi muille henkilöille, jotka mahdollisesti käyttävät työkalua. Jos lainaat työkalua toiselle henkilölle, anna mukaan myös nämä ohjeet, jotta voit estää tuotteen väärinkäytön ja mahdollisen vahingon.
- Pidä aina tukevia jalkineita ja pitkiä housuja, kun käytät konetta
- Varmista aina kunnon asento kaltevilla pinnoilla ja muista aina kävellä, älä koskaan juokse.

SÄILYTÄ NÄMÄ OHJEET!

MÄÄRITYKSET

Jännite	56 V ---	
Tyhjäkäyntinopeus	7000 /min	
Leikkausmekanismi	Kupupää	
Leikkaussiiman tyyppi	AL0800 halk. 2,0 mm pyöreä nailonsiima	
Leikkausleveys	30 cm	
Paino (ilman akkua)	2,85 kg	
Mitattu äänen tehotaso L_{WA}	90,76 dB(A) K= 2,5 dB(A)	
Suurin äänenpaineen taso käyttäjän korvien tasolla L_{pA}	75,0 dB(A) K= 2,5 dB(A)	
Taattu äänen tehotaso L_{WA} (mitattu 2000/14/EC:n mukaisesti)	91 dB(A)	
Värinä a_h	Edessä oleva apukahva	3,279 m/s ² K= 1,5 m/s ²
	Takakahva	4,915 m/s ² K= 1,5 m/s ²

- Ilmoitettu värinän kokonaisarvo on mitattu standardikoemenetelmän mukaan ja sitä voidaan käyttää verrattaessa työkaluja keskenään
- Ilmoitettua värinän kokonaisarvoa voidaan myös käyttää altistumisen ennakoarvioinnissa.

HUOMAA: Sähkötyökalun todellisen käytön aikana ilmenevä värinä voi erota työkalun käytölle ilmoitetusta arvosta. Käyttäjän suojelemiseksi on todellisissa käyttöolosuhteissa käytettävä käsineitä ja kuulosuojaimia.

PAKKAUSLUETTELO

OSAN NIMI	MÄÄRÄ
Trimmeri	1
Suojus	1
Tukikahvayksikkö	1
Kuusiokoloavain	1
Käyttäjän käsikirja	1

KUVAUS

TUNNE SIIMALEIKKURISI (kuva A)

1. Liipaisin
2. Takakahva
3. Lukituksenpoistokytkin
4. Pehmeä kaulus
5. Säädettävä edessä oleva apukahva
6. Varsi
7. Kupusuojus
8. Kupunuppi
9. Kupupää (leikkauspää)
10. Suoja
11. Siimaleikkurin terä
12. Poistomekanismi
13. Sähköliitännät
14. Salpa
15. Akun vapautuspainike

KOKOONPANO

VAROITUS: Jos jokin osa on vahingoittunut tai puuttuu, älä käytä tuotetta ennen kuin osat on vaihdettu. Tuotteen käyttö silloin, kun siinä on vahingoittuneita osia tai osia puuttuu, saattaa aiheuttaa vakavan henkilövahingon.

VAROITUS: Älä yritä muokata tätä laitetta tai luoda sille lisävarusteita, joita ei suositella käytettäväksi tämän siimaleikkurin kanssa. Mikä tahansa tällainen muokaus tai muutos on väärinkäytös ja saattaa aiheuttaa vaarallisen tilan, joka saattaa johtaa vakavaan henkilövahingon.

VAROITUS: Poista akku työkalusta aina, kun kokoat osia. Näin varmistat, ettei laite käynnisty vahingossa eikä aiheuta vakavia henkilövahinkoja.

SUOJUKSEN KIINNITTÄMINEN (kuvat B, C ja D)

VAROITUS: Käytä aina hansikkaita, kun kiinnität tai vaihdat suojaa. Huolehdi, että suojan terä ei leikkaa käsiäsi.

VAROITUS: Älä ikinä käytä työkalua ilman, että suoja on kunnolla paikallaan. Suojan on aina oltava työkalussa käyttäjän suojaamiseksi! Kun suoja on kiinteä, älä ikinä poista tai säädä sitä. Jos suojan vaihtaminen on tarpeen, vain asiantunteva huoltoteknikko voi vaihtaa sen!

Käännä leikkuri niin, että sen pää osoittaa ylös ja löystä ja poista molemmat ruuvit. Laita sitten ohjausruodit kehikon aukkoihin, paina suoja paikalleen ja lukitse se ruuveilla. Varmista, että suojan sisäpinta on kohti leikkurin päätä.

EDESSÄ OLEVAN APUKAHVAN KIINNITYS JA SÄÄTÄMINEN

Työnnä edessä oleva apukahva varteen (kuva F) ja laita sitten kiristystuki kahva-aukkoon (kuva G), kiinnitä lukkosalko ja lukitse ne siipimutterilla (kuva H). Sarja kuvataan kuvassa E. Säädä lopuksi edessä olevan apukahvan asentoa, kunnes edessä oleva kätesi on suorassa, kun käytät leikkuria (kuva I) ja lukitse sitten lukkosalon vipu (kuva J).

Kuvien E ja I osien kuvaus alla:

E-1	Edessä oleva apukahva	E-4	Siipimutteri
E-2	Lukkosalko	I-1	Pehmeä kaulus
E-3	Kiristystuki	I-2	Varoitusmerkintä

HUOMAA: Edessä olevan apukahvan tulee osoittaa ylös kahvan yläosaa kohti.

VAROITUS: Kiinnitä edessä oleva apukahva vain varren pehmeän kauluksen eteen.

VAROITUS: Työkalua ei voi käyttää ilman, että edessä oleva apukahva on kiinnitetty turvallisesti.

KÄYTTÖ

VAROITUS: Älä anna perehtyneisyyden tuotteeseen saada sinua huolimattomaksi. Muista, että sekunnin murto-osa huolimattomuutta riittää aikaansaamaan vakavan henkilövahingon.

VAROITUS: Käytä aina suojalaseja sivusuojilla. Yhdessä kuulosuojaimien kanssa. Muussa tapauksessa silmiin voi lentää roskaa ja muita mahdollisia vakavia vahinkoja tapahtua.

VAROITUS: Älä käytä lisäosia tai lisävarusteita, joita tuotteen valmistaja ei ole suositellut. Suosittelemattomien lisäosien tai lisävarusteiden käyttö voi aiheuttaa vakavan henkilövahingon.

VAROITUS: Käytä oikealla leikkuusiimalla varustettua trimmeriä vain ruohon ja vastaavan materiaalin leikkaamiseen.

VAROITUS: Poista akku työkalusta aina, kun kokoat osia, teet muutoksia tai puhdistat laitetta tai kun et käytä sitä. Näin varmistat, ettei laite käynnisty vahingossa eikä aiheuta vakavia henkilövahinkoja.

Tätä laitetta voi käyttää seuraavassa kerrottuihin tarkoituksiin:

Trimmaus: käytetään nurmikon ja rikkaruohojen poistamiseen seinien, aitojen, puiden ja rajojen lähellä.

Leikkaaminen: käytetään sellaisen nurmikon leikkaamiseen, johon on vaikea päästä käsiksi perinteisellä ruohonleikkurilla.

HUOMAA: Laitetta tulee käyttää vain sille tarkoitettuun tarkoitukseen. Muunlainen käyttö, esimerkiksi pensaiden leikkaus, lasketaan väärinkäytöksi.

AKUN LIITTÄMINEN/POISTAMINEN

Lataa täyteen ennen ensimmäistä käyttökertaa.

Liittäminen (kuva K)

Aseta akun urat kiinnitysaukkoihin ja paina akkua alaspäin, kunnes kuulet naksahduksen.

Poistaminen (kuva L)

VAROITUS: Huolehdi, että tiedät missä jalkasi, lapset ja lemmikit ovat, kun painat akun vapautuspainiketta. Jos akku putoaa, se voi aiheuttaa vakavan vamman. Älä IKINÄ poista akkua, jos se on korkealla.

Paina akun vapautuspainiketta ja vedä akku ulos.

OTE SIIMALEIKKURISTA

VAROITUS: Pukeudu asianmukaisesti, niin vähennät vammariskiä tätä laitetta käytettäessä. Älä käytä löysiä vaatteita tai koruja. Käytä silmä- ja kuulosuojaimia. Käytä paksuja, pitkiä housuja, kunnollisia jalkineita ja hansikkaita. Älä käytä lyhyitä housuja, sandaaleita tai ole paljain jaloin.

Pidä leikkuria molemmin käsin ennen sen käynnistämistä niin, että toinen kätesi on takakahvalla ja toinen edessä olevalla suoralla apukahvalla (kuva M). Tarkista sitten, että seisot tasapainoisesti sopivan leikkausmatkan päässä.

SIIMALEIKKURIN KÄYNNISTÄMINEN/ SAMMUTTAMINEN (kuva N)

Käynnistys

Paina lukituksenpoistokytkin alas ja pidä sitä pohjassa. Paina liipaisinta käynnistääkseen siimaleikkurin.

Sammutus

Vapauta lukituksenpoistokytkin ja liipaisin.

VAROITUS: Poista akku siimaleikkurista aina, kun pidät työstä taukoa ja kun lopetat sen käytön.

TRIMMERIN KÄYTTÖ

VAROITUS: Pidä vakavien henkilövahinkojen välttämiseksi suojalaseja tai turvalaseja aina, kun käytät tätä laitetta. Pidä kasvo- tai hengityssuojainta pölyisissä olosuhteissa.

Tyhjennä leikattava alue ennen jokaista käyttöä. Poista kaikki esineet, kuten kivet, rikkoutunut lasi, naulat, vajjeri tai siima, jotka voivat sinkoutua leikkuulaitteesta tai sotkeutua siihen. Tyhjennä alue lapsista, sivullisista ja lemmikkieläimistä. Pidä lapset, sivulliset ja lemmikkieläimet vähintään 30 m:n päässä. Sinkoutuvat esineet voivat silti vielä aiheuttaa vaaraa sivullisille. Sivullisia tulee kannustaa pitämään suojalaseja. Jos joku lähestyy sinua, sammuta moottori ja leikkuulaite välittömästi.

Tarkasta trimmeri ennen jokaista käyttöä vaurioituneiden/kuluneiden osien varalta

Tarkasta siimapää, suojuus ja tukikahva ja vaihda halkeilleet, vääntyneet, taipuneet tai jollakin tavalla vaurioituneet osat.

Suojuksen reunassa oleva siiman rajoitusterä voi tlysyä ajan myötä. Suosittelemme, että rajoitat sen määräajoin viilalla tai vaihdat sen uuteen terään.

VAROITUS: Käytä aina käsineitä, kun asennat suojusta tai teroitat terää tai vaihdat sen. Varo suojuksessa olevaa terää ja suojele käyttä leikkautumiselta.

Puhdista trimmeri jokaisen käytön jälkeen.

- Käytä työkalun puhdistamiseen vain mietoaa saippuaa ja kosteaa liinaa. Älä koskaan päästä nestettä työkalun sisälle; älä koskaan upota työkalun mitään osaa nesteeseen.
- Pidä moottorin kotelon ja varren tuuletusaukot aina vapaina leikkuujätteestä (kuva O).

Kuva O osien kuvaus alla:

0-1	Varren ilma-aukot
0-2	Moottorikehikon ilma-aukot

VAROITUS: Tukokset ilma-aukoissa estävät ilman virtaamisen moottorikehikkoon ja voivat aiheuttaa ylikuumentumista tai moottorin vahingoittumisen.

VAROITUS: Älä koskaan käytä vettä leikkurin puhdistamiseen. Älä käytä liuottimia, kun puhdistat muoviosia. Suurin osa muoveista on alttiita vahingoittumaan markkinoilla olevista liuottimista. Käytä lian, tomin, öljyn, rasvan yms. poistamiseen puhdasta liinaa.

LEIKKUSIIMAN PITUUDEN SÄÄTÖ

Käyttäjä voi siimapään avulla vapauttaa lisää leikkusiimaa moottoria sammuttamatta. Kun siima hankautuu tai kuluu, siimaa voidaan vapauttaa lisää kopauttamalla kevyesti siiman säätönuppia maahan trimmerin käytön aikana (kuva P).

Kopauta parhaiden tulosten saavuttamiseksi siiman säätönuppia paljaaseen maahan tai kovaan maaperään. Jos siiman vapautusta yritetään pitkässä ruohikossa, moottori voi ylikuumentua. Pidä leikkusiima aina täysipituuisena. Siiman vapautus vaikeutuu, kun leikkusiima lyhenee.

VAROITUS: Pidä leikkusiima aina täysipituuisena. Siiman vapautus vaikeutuu, kun leikkusiima lyhenee.

SIIMAN SUOJALAITTEEN KÄYTTÖ

Siiman suojalaite voi rajoittaa leikkusiiman leikkuualuetta ja pienentää pyörivän leikkusiiman aiheuttamien vaurioiden riskiä (kuva Q).

Ota siiman suojalaite käyttöön kääntämällä se alas varastointiasennosta (kuva R).

VAROITUS: Siiman pää voi jatkaa hetken pyörimistä sen jälkeen, kun sammutat trimmerin. Odota, että siiman pää pysähtyy täysin ennen kuin säädät siiman suojalaitetta. Älä säädä sitä jalallasi.

SIIMAN VAIHTAMINEN

HUOMAA: Käytä aina tavallista nailonleikkusiimaa, jonka halkaisija on korkeintaan 2,0 mm.

VAROITUS: Älä ikinä käytä metallilla vahvistettua siimaa, rautalankaa, narua yms. Ne saattavat katketa ja muodostaa vaarallisia ammuksia.

Leikkusiiman voi vaihtaa kahdella tavalla:

1. Kelaä rullaan uusi siima.
2. Asenna esikelattu siima (AS1301, tarvittaessa saatavilla jälleenmyyjältä).

Kelaa rullaan uusi siima

Paina rullan tyvässä olevia vapautuspainiketta ja vedä rullakiinnitin ulos (kuva S). Vedä ulos noin 7m uutta leikkaussiimaa. Taita ja kelaa se rullalle kuvien T ja U osoittamilla tavoilla. Laita sitten siiman päät rullan vastakkaisten lovien läpi (kuva V) ja aseta rulla takaisin kiinnittimeen niin, että lovet ovat samassa linjassa kiinnittimen pujotusreikien kanssa (kuva W). Lopuksi linjaa kiinnittimen aukot rullan tyven nappien kanssa samaan kohtaan ja paina kiinnitintä tasaisesti alas, kunnes se naksahtaa paikalleen (kuva X).

HUOMAA: Puhdista kelanpidin, kela ja kelateline aina ennen siimapään uudelleen kokoamista. Tarkasta kelanpidin, kela ja kelateline kulumisen varalta. Vaihda kuluneet osat tarvittaessa.

HUOMAA: Jos siimaa ei kierretä osoitettuun suuntaan, siimapää ei toimi oikein.

Esikelatun siiman asennus

FI

Paina rullan tyvässä olevia vapautuspainiketta ja vedä rullakiinnitin ulos (kuva S). Laita sitten esikelattu siima kiinnittimeen niin, että sen lovet ovat samassa linjassa kiinnittimen pujotusreikien kanssa (kuva W). Lopuksi linjaa kiinnittimen aukot rullan tyven nappien kanssa samaan kohtaan ja paina kiinnitintä tasaisesti alas, kunnes se naksahtaa paikalleen (kuva X).

Kuvien W ja X osien kuvaus alla:

W-1	Lovi	X-1	Nappi
W-2	Pujotusreikä	X-2	Aukko

HUOMAA: Varmista, että kelateline napsahtaa paikoilleen tai kela irtoaa käytön aikana.

HUOLTO

VAROITUS: Käytä huollon yhteydessä vain valmistajan hyväksymiä varaosia. Muiden osien käyttö voi aiheuttaa vaaran tai vahingoittaa tuotetta. Tarkasta ja huolla kone säännöllisin väliajoin. Valtuutetun huoltoteknikon tulee suorittaa kaikki korjaukset, jotta voidaan taata tuotteen turvallinen ja luotettava käyttö.

VAROITUS: Akkutyökaluja ei tarvitse kytkeä sähköverkkoon; ne ovat siksi aina käyttökunnossa. Estä vakava henkilövahinko olemalla erityisen varovainen, kun suoritat kunnossapitoa, huoltoa tai kun vaihdat leikkuulaitetta tai muita lisäosia.

VAROITUS: Irrota vakavien henkilövahinkojen estämiseksi akkuyksikkö työkalusta ennen lisäosien huoltoa, puhdistusta ja vaihtoa tai materiaalin poistamista laitteesta.

LAITTEEN PUHDISTUS

- Puhdista laite kostealla liinalla ja miedolla puhdistusaineella
- Älä käytä voimakkaita puhdistusaineita muovikoteloon tai kahvaan. Tietyt hyväntuokuiset öljyt (esim. mänty ja sitruuna) ja paloöljyn kaltaiset liuottimet voivat vaurioittaa niitä. Kosteus voi myös aiheuttaa sähköiskun vaaran. Pyyhi kosteus pois pehmeällä ja kuivalla liinalla.
- Puhdista moottorin kotelon tuuletusaukot pienellä harjalla tai polynimurin harjalla.

LAITTEEN VARASTOINTI

- Irrota akkuyksikkö trimmeristä, kun trimmeriä ei käytetä.
- Puhdista työkalu perusteellisesti ennen varastointia.
- Varastoi laite kuivaan, hyvin ilmastoituun tilaan, joka on lukittu tai muuten lasten ulottumattomissa. Älä varastoi laitetta lannoitteiden, bensiinin tai muiden kemikaalien päälle tai viereen.

Ympäristönsuojelu



Älä hävitä sähkölaitteita, akun latauslaitteita ja akkuja/ladattavia akkuja kotitalousjätteen mukana!

Euroopan parlamentin ja neuvoston direktiivin 2012/19/EU mukaan sähkö- ja elektroniikkalaitteet, jotka eivät ole enää käyttökelpoisia, ja Euroopan parlamentin ja neuvoston direktiivin 2006/66/EY mukaan vialliset tai käytetyt akkuyksiköt/akut täytyy kerätä erikseen.

Jos sähkölaitteet hävitetään viemällä kaatopaikoille tai roskalajiin, vaarallisia aineita voi vuotaa pohjaveteen ja päästä ravintoketjuun ja vahingoittaa täten ihmisten terveyttä ja hyvinvointia.

EY-VAATIMUSTENMUKAISUUS- VAKUUTUS

Me, EGO EUROPE GMBH

Wahlwiesenstrasse 1, D-71711 Steinheim an der Murr
Deutschland

Vakuutamme, että tuote **56V:n litiumioniakulla toimiva johdoton trimmeri ST1210E** noudattaa seuraavien direktiivien keskeisiä terveys- ja turvallisuusvaatimuksia:

2006/42/EY, 2014/30/EU, 2011/65/EU, 2000/14/EY

Standardit ja tekniset erittelyt, joihin viitataan:

EN 60335-1, EN 50636-2-91, EN 55014-1, EN 55014-2

Mitattu äänen tehotaso: 90,76 dB(A).

Taattu äänen tehotaso: 91 dB(A).

Liitteen VI vaatimustenmukaisuuden arviointimenettely direktiivin 2000/14/EY mukaan.

Ilmoitettu laitos: Société Nationale de Certification et d'Homologation

Ilmoitetun laitoksen numero: 0499

FI

Peter Melrose
Toimitusjohtaja, EGO Europe GmbH

Dong Jianxun
Chevronin laatujohtaja

* (Auktorisoitu CHEVRONin edustaja ja vastuussa teknisistä asiakirjoista)

01/09/2016

VIANETSINTÄ

ONGELMA	SYY	RATKAISU
Trimmeri ei käynnisty	<ul style="list-style-type: none"> ■ Akkuyksikköä ei ole asetettu trimmeriin ■ Ei sähkökontaktia trimmerin ja akun välillä. ■ Akkuyksikkö on tyhjä ■ Lukitusvipua ja liipaisinta ei paineta samanaikaisesti. 	<ul style="list-style-type: none"> ■ Aseta akkuyksikkö trimmeriin ■ Irrota akku, tarkasta koskettimet ja asenna akkuyksikkö takaisin. ■ Lataa akkuyksikkö ■ Paina lukitusvipu alas ja pidä sitä painettuna, käynnistä sen jälkeen trimmeri painamalla liipaisinta.
Trimmeri sammuu leikkauksen aikana.	<ul style="list-style-type: none"> ■ Suojusta ei ole asennettu trimmeriin, mistä seuraa liian pitkä leikkuusiima ja moottorin ylikuormittuminen ■ Käytetään paksua leikkuusiimaa. ■ Moottorin varteen tai siimapäähän on takertunut ruohoa. ■ Moottori on ylikuormittunut. ■ Akkuyksikkö tai trimmeri on liian kuuma ■ Akkuyksikköä ei ole kytketty työkaluun ■ Akkuyksikkö on tyhjä. 	<ul style="list-style-type: none"> ■ Irrota akkuyksikkö ja asenna suojuus trimmeriin ■ Käytä vain halkaisijaltaan enintään 2,0 mm nylonvalmisteista leikkuusiimaa ■ Sammuta trimmeri, irrota akku ja poista ruoho moottorin varresta ja siimapästä. ■ Irrota siimapää ruohosta. Moottori toimii jälleen heti, kun kuormitus on poistettu. Liikuta leikatessa siimapäätä leikattavaan ruuhon ja pois äläkä leikkaa kerralla yli 20 cm pituudelta. ■ Anna akkuyksikön tai trimmerin jäähtyä, kunnes lämpötila laskee alle 67 °C:een. ■ Asenna akkuyksikkö uudelleen. ■ Lataa akkuyksikkö.
Siimapästä ei tule siimaa.	<ul style="list-style-type: none"> ■ Moottorin varteen tai siimapäähän on takertunut ruohoa ■ Kelassa ei ole tarpeeksi siimaa ■ Siimapää on likainen. ■ Siima on sotkussa kelalla ■ Siima on liian lyhyt. 	<ul style="list-style-type: none"> ■ Sammuta trimmeri, irrota akku ja poista ruoho moottorin varresta ja siimapästä. ■ Irrota akku ja vaihda leikkuusiima. Noudata tämän käsikirjan osiota "SIIMAN VAIHTO". ■ Irrota akku ja puhdista kela, kelanpidin ja kelateline. ■ Irrota akku, poista siima kelalta ja kierrä se uudelleen kelalle. Noudata tämän käsikirjan osiota "SIIMAN VAIHTO". ■ Irrota akku ja vedä siimojen päistä samalla, kun vuorotellen painat siiman säätönupin alas ja vapautat sen.

ONGELMA	SYY	RATKAISU
Ruohoa kietoutuu siimapään ja moottorin kotelon ympärille.	<ul style="list-style-type: none">■ Pitkää ruohoa leikataan maan tasolla.	<ul style="list-style-type: none">■ Estä ruohon kietoutuminen leikkaamalla pitkä ruoho ylhäältä alaspäin poistaen yhdellä liikkeellä kerrallaan vain 20 cm ruohoa.
Siima ei leikkaa hyvin.	<ul style="list-style-type: none">■ Suojuksen reunassa oleva siiman rajoitusterä on tylsynyt.	<ul style="list-style-type: none">■ Teroita siiman rajoitusterä viilalla tai vaihda se uuteen terään.

TAKUU

EGO-TAKUUKÄYTÄNTÖ

Katso verkkosivuilta osoitteesta egopowerplus.com EGO-takuukäytännön ehdot ja edellytykset kokonaisuudessaan.

LES ALLE INSTRUKSJONER!



**LES OG FORSTÅ
INSTRUKSJONSBOKEN**

⚠ Restrisiko! Personer med elektroniske enheter, for eksempel pacemakere, må rådføre seg med lege før de bruker dette produktet. Drift av elektrisk utstyr i umiddelbar nærhet av en pacemaker kan føre til at pacemakeren forstyrres eller svikter.

⚠ ADVARSEL: For sikre både sikkerheten og påliteligheten, skal alle reparasjoner utføres av en kvalifisert servicetekniker.

SIKKERHETSSYMBOLER

Formålet med sikkerhetssymbolene er å trekke oppmerksomheten din mot mulige faresituasjoner. Sikkerhetssymbolene og forklaringene krever din fulle oppmerksomhet og forståelse. Symbolvarslene eliminerer ikke farer på egen hånd. Instruksjonene og advarslene som finnes i dem er ikke erstatninger for passende ulykkesforebyggende tiltak.

⚠ ADVARSEL: Sørg for å lese og forstå alle sikkerhetsanvisningene i denne bruksanvisningen, inkludert alle sikkerhetsvarselssymboler så som «FARE», «ADVARSEL» og «FORSIKTIG» før du bruker dette verktøyet. Hvis du ikke følger alle instruksjonene nedenfor, kan det føre til elektriske støt, brann og/eller alvorlig personskade.

SYMBOLFORKLARINGER

SIKKERHETSSYMBOL: Indikerer FARE, ADVARSEL eller FORSIKTIG. Kan brukes sammen med andre symboler eller piktoagrammer.



⚠ ADVARSEL: Bruk av hvilke som helst elektroverktøy kan føre til at fremmedlegemer blir kastet mot øynene, og dette kan føre til alvorlig øyeskader. Før du begynner å bruke elektroverktøyet, skal du alltid bruke vernebriller eller vernebriller med sidebeskyttelse, og en full ansiktsskjerm der det trengs. Vi anbefaler en Wide Vision Safety Mask til bruk over briller, eller standard vernebriller med sidebeskyttelse.

SIKKERHETSINSTRUKSJONER

Denne siden viser og beskriver sikkerhetssymboler som finnes på produktet. Les, forstå og følg alle instruksjoner på maskinen før begynner montering og bruk.

	Sikkerhetsvarsel	Forsiktighetsregler som har med sikkerheten din å gjøre.
	Les brukermanualen.	For å redusere risikoen for skader, må brukeren lese og forstå bruksanvisningen før produktet brukes.
	Bruk vernebriller	Bruk alltid vernebriller eller vernebriller med sidebeskyttelse, og full ansiktsskjerm når du bruker dette produktet.
	Bruk hørselvern	Hørselsvern er påbudt når produktet brukes.
	Linediameter	Diameteren på nylonkuttelinen
	Klippebredde	Maks. klippebredde på gresstrimmeren
	Må ikke utsettes for regn	Skal ikke brukes i regn eller legges igjen utendørs mens det regner.
	Klasse II konstruksjon	Dobbeltisolert konstruksjon.
	Hold tilskuere borte.	Sørg for at andre mennesker og kjæledyr er minst 15m unna gresstrimmeren når den er i bruk.
	Hold tilskuere borte.	Sørg for at andre mennesker og kjæledyr er minst 15m unna gresstrimmeren når den er i bruk.
V	Volt	Spenning
A	Ampere	Strøm
Hz	Hertz	Frekvens (sykluser per sekund)
W	Watt	Effekt
min	Minutter	Klokkeslett
	Vekselstrøm	Typen spenning
	Likestrøm	Type eller karakteristikk for spenningen

n_0	Hastighet uten last	Rotasjonshastighet, uten last
... /min	Pr. minutt	Omdreining pr. minutt

VIKTIGE SIKKERHETSINSTRUKSJONER

⚠ ADVARSEL: Når du bruker trimmere, må du alltid følge grunnleggende sikkerhetsregler for å redusere risikoen for brann, elektrisk støt og personskade, inkludert følgende:

LES NØYE FØR BRUK

BEHOLD FOR SENERE BRUK

⚠ FARE: Ikke stol på verktøyets isolasjon mot elektrisk sjokk. For å redusere risikoen for elektriske støt, skal maskinen aldri brukes i nærheten av ledninger eller kabler (strøm, osv.) som kan være strømsatte.

⚠ FORSIKTIG: Bruk egnet personlig hørselsvern under bruk. Under visse forhold til og brukslengder, kan støy fra dette produktet bidra til hørselstap.

TRENING

- Les instruksene nøye. Vær fortrolig med betjeningsinstrumentene og riktig bruk av maskinen.
- La aldri folk som ikke er kjent med disse instruksjonene, eller barn, bruke maskinen. Lokale regelverk kan ha krav til aldersgrense for operatøren.
- Husk at operatøren er ansvarlig for skade som skjer andre folk eller gjenstander.

FORBEREDELSE

- Bruk aldri maskinen mens folk, og spesielt barn eller kjæledyr, er i nærheten.
- Bruk vernebriller og solide sko hele tiden mens du bruker maskinen.

DRIFT

- Maskinen skal bare brukes i dagslys eller med god kunstig belysning.
- Bruk aldri maskinen med skadede skjermer eller skjold, eller uten skjermer eller skjold på plass.
- Motoren skal bare slås på når hender og føtter er borte fra kuttedelene.
- Koble alltid maskinen fra strømforsyningen (dvs. ta ut støpselet fra stikkkontakten eller fjern deaktiveringsenheten).
 - når maskinen forlattes uten tilsyn;

- før fjerning av en blokkering;
- før du sjekker, rengjør eller arbeider på maskinen.
- etter å ha støtt på et fremmedlegeme.
- når maskinen begynner å vibrere unormalt.
- Pass på at hender og føtter ikke skades av kuttedelene.
- Pass alltid på at ventilasjonsåpningene holdes frie for rusk.

VEDLIKEHOLD OG LAGRING

- Koble alltid maskinen fra strømforsyningen (dvs. ta ut støpselet fra stikkkontakten eller fjern deaktiveringsenheten) før det utføres vedlikehold eller rengjøring.
- Bruk bare produsentens anbefalte reservedeler og tilbehør.
- Inspiser og vedlikehold maskinen regelmessig. Maskinen skal repareres av et autorisert verksted.
- Når den ikke er i bruk, skal maskinen oppbevares utilgjengelig for barn.

ANDRE SIKKERHETSADVARSLER

- Unngå farlige omgivelser – ikke bruk trimmere på fuktige eller våte steder.
- Slå alltid av gresstrimmeren eller ta ut batteriet når du forlater trimmeren uten tilsyn.
- Må ikke brukes i regn.
- Hold barn borte – alle tilskuere bør holdes på avstand fra arbeidsområdet.
- Kle deg riktig – Ikke bruk løstsittende klær eller smykker. Disse kan sette seg fast i bevegelige deler. Bruk av gummihansker og solid fottey anbefales når du arbeider utendørs. Bruk hårnett hvis du har langt hår.
- Bruk vernebriller – bruk alltid ansikts- eller støvmaske hvis arbeidet er støvete.
- Bruk riktig verktøy – ikke bruk verktøyet til noen jobb det ikke er laget for.
- Ikke tving trimmeren – den vil gjøre jobben bedre, og med mindre sannsynlighet for risiko for skade ved frekvensen som den ble laget for.
- Ikke strekk deg for langt – pass på å ha skikkelig fotfeste og balanse til enhver tid.
- Vær på vakt – følg med på det du gjør. Bruk sunn fornuft. Ikke bruk trimmeren når du er trøtt.
- Bruk aldri trimmeren hvis du er påvirket av alkohol eller stoff.
- Hold skjermene på plass, og i orden.
- Oppbevar maskinen innendørs – når den ikke er i bruk skal trimmeren lagres innendørs på et tørt og høyt eller låst sted, med batteriet fjernet og utilgjengelig for barn.

NO

- Vedlikehold trimmeren nøye – hold skjærestyret rent for å få best ytelse, og for å redusere risikoen for skader. Følg instruksjonene for bytte av tilbehør. Hold håndtakene tørre, rene og frie for olje og fett.
- Se etter skadede deler – både før og etter bruk, skal skjermer eller andre skadede deler undersøkes nøye for å fastslå om de vil fungere riktig og oppfylle den tiltenkte funksjonen sin. Sjekk justeringen av bevegelige deler, etter oppbinding av bevegelige deler, deler som er ødelagt, montering og eventuelle andre forhold som kan påvirke driften. Skjermer eller andre ødelagte deler må repareres forsvarlig eller skiftes ut av et autorisert servicecenter dersom ikke annet er angitt andre steder i denne håndboken.
- Rydd området som skal skjæres før hver bruk. Fjern alle gjenstander så som steiner, knust glass, spiker, ståltråd, eller line som kan kastes eller bli viklet inn i kuttedeler. Pass på at andre personer og dyr er minst 15m unna.
- Før du bruker maskinen, og etter slag, må du se etter tegn på slitasje eller skade, og reparere hvis det er nødvendig.
- Hold alltid trimmeren fast og med begge hender på håndtakene under drift. Ta tak i håndtakene med fingre og tomler.
- Unngå utilsikket start – ikke bære trimmeren med fingeren på utløseren.
- Ikke bruk trimmeren i petroliske eller eksplosive atmosfærer. Motorene i disse apparatene vil normalt gniste, og gnistene kan antenne damper.
- Du må ikke ta på farlige deler som beveger seg, før du har slått av maskinen (eller tatt ut batteriet), og de farlige delene har stanset helt.
- Skade på trimmeren – hvis du treffer på et fremmedlegeme med trimmeren eller den blir viklet inn, skal verktøyet stoppes umiddelbart, batteriet tas ut av gresstrimmeren, og sjekkes for skader. Eventuelle skader skal repareres før man forsøker videre drift. Skal ikke brukes med skadet skjerm eller spole.
- Hvis utstyret begynner å vibrere unormalt, stoppes motoren, batteriet tas ut av gresstrimmeren, og trimmeren sjekkes umiddelbart for å finne årsaken. Vibrasjoner er vanligvis en advarsel om at noe er galt. Et løst hode kan vibrere, sprekke, brette eller løsne fra trimmeren, noe som kan resultere i alvorlige eller livstruende skader. Pass på at skjærestyret er festet skikkelig i posisjon. Hvis hodet løsner etter at det er satt på plass, må det byttes umiddelbart. Bruk aldri en trimmer som har løst kutterutsty.
- Bytt sprukket, skadet eller utslitt skjærehodet umiddelbart, selv om skaden er begrenset til overfladiske sprekker. Slikt tilbehør kan knuses ved høye hastigheter, og forårsake alvorlige eller livstruende skader.
- Kontroller kuttedelene med jevne, korte mellomrom under drift, eller umiddelbart hvis det oppstår en merkbar endring i kutteatferden.
- Bruk kun EGO™ sitt autoriserte polymer trimmerlinetilbehør og trimmerline (Ø2,0 mm) som er utviklet for bruk med dette verktøyet. Selv om visse uautoriserte tilbehør kan monteres på EGO™-gresstrimmere, kan bruk av slike være ekstremt farlig og/eller skadelig for verktøyene.
- For å redusere risikoen for alvorlige skader, skal det aldri brukes wire eller metall-forsterket line eller annet materiale i stedet for nylonkuttelinen. Stykker av linen kan brette av og bli kastet i høy hastighet mot brukeren eller tilskuere.
- For å redusere risikoen for skader fra tap av kontroll, skal man aldri bruke den på en stige eller på annen usikker støtte. Hold aldri kutteutstyret over hofte høyde.
- Hvis situasjoner oppstår som ikke er dekket i denne håndboken, må du utvise forsiktighet og god dømmekraft. Kontakt EGOs servicecenter for å få hjelp.
- Ikke lad batteripakken i regn eller på våte steder.
- Skal bare brukes med batteripakkene og laderne som er oppført nedenfor:

BATTERI	LADER
BA1120E, BA2240E, BA2800, BA3360, BA4200	CH5500E, CH2100E

- Batteripakken må fjernes fra apparatet før det kasseres.
- Batteriet skal avhendes på en sikker måte.
- Ikke kast batteriet i ild. Cellene kan eksplodere. Sjekk de lokale forskriftene for avhending av batterier.
- Ikke åpne eller skad batteriet. Elektrolytter som avgis er etsende, og kan forårsake skade på øyne og hud. Kan være giftig ved svelging.
- Vær forsiktig når du håndterer batterier, slik at du ikke kortsletter batteriet med ledende materialer så som ringer, armbånd og nøkler. Batteriet eller lederen kan bli overopphetet og forårsake brannskader.
- Ved service skal det bare brukes identiske reservedeler fra EGO™. Bruk av annet utstyr eller tilbehør kan øke risikoen for skader.
- Batteriverktøy trenger ikke å være koblet til et strømnett; derfor er de alltid klare til bruk. Vær oppmerksom på mulige farer, selv når verktøyet ikke er i drift. Vær forsiktig når du utfører vedlikehold eller service.

- Ikke vask med hageslange; unngå å få vann i motoren og i elektriske kontakter.
- Ta vare på disse instruksjonene. Referer til dem ofte, og bruk dem til å instruere andre som kan komme til å bruke verktøyet. Hvis du låner ut verktøyet til noen andre, må de også få låne disse instruksjonene, for å hindre feilbruk av produktet og mulige skader.
- Under bruk av maskinen skal det alltid brukes solid fotføy og lange bukser.
- Alltid ha sikkert fotfeste i bakker, og gå, aldri løp.

TA VARE PÅ DISSE INSTRUKSJONENE!

SPESIFIKASJONER

Spennning	56 V ---	
Hastighet uten last	7000/min	
Kuttemekanisme	Støthode	
Kutteline-type	AL0800 Ø2,0 mm nylon rundline	
Klippebredde	30 cm	
Vekt (uten batteripakke)	2,85 kg	
Målt lydeffektnivå L_{WA}	90,76 dB(A) K= 2,5 dB(A)	
Maksimal lydtryknivå ved brukerens øre L_{PA}	75,0 dB(A) K= 2,5 dB(A)	
Garantert lydeffektnivå L_{WA} (målt i henhold til 2000/14/EC)	91 dB(A)	
Vibrasjon a_h	Fremre hjelpehåndtak	3,279 m/s ² K= 1,5 m/s ²
	Bakre håndtak	4,915 m/s ² K= 1,5 m/s ²

- Den deklarerte totale vibrasjonsverdien er målt i overensstemmelse med en standard testmetode, og kan brukes til å sammenligne ett verktøy med et annet;
- Den deklarerte totale vibrasjonsverdien kan også brukes i en foreløpig vurdering av eksponering.

MERK: Vibrasjoner under faktisk bruk av elektroverktøyet kan variere fra den opplyste verdien der verktøyet brukes; For å beskytte brukeren, skal det brukes hansker og hørselsvern under de faktiske bruksforholdene.

PAKKELISTE

NAVN PÅ DEL	MENGDE
Linetrimmer	1
Skjerming	1
Montering av fremre hjelpehåndtak	1
Sekskantnøkkel	1
Bruksanvisning	1

BESKRIVELSE

KJENN GRESSTRIMMEREN DIN (Fig. A)

1. Utløser
2. Bakhåndtak
3. Låsespak
4. Myk slire
5. Justerbart fremre hjelpehåndtak
6. Aksel
7. Støtbeskytter
8. Bump-knapp
9. Støthode (kuttehode)
10. Skjerming
11. Linekuttersblad
12. Utkastingsmekanisme
13. Elektriske kontakter
14. Lås
15. Batteriutløsningsknapp

NO

-ENHET

⚠ ADVARSEL: Hvis noen av delene er skadet eller mangler, må du ikke bruke dette produktet før delene er skiftet ut. Bruk av dette produktet med skadede eller mangler deler kan føre til alvorlig personskade.

⚠ ADVARSEL: Ikke forsøk å modifisere dette produktet eller lage tilbehør som ikke er anbefalt for bruk med denne gresstrimmeren. Enhver slik endring eller modifisering er misbruk, og kan føre til farlige situasjoner og mulige alvorlige personskader

⚠ ADVARSEL: For å hindre utilsiktet start som kan føre til alvorlig personskade, skal batteripakken alltid tas ut av verktøyet når du monterer deler.

MONTERING AV SKJERMEN (fig. B og C og D)

⚠ ADVARSEL: Bruk alltid hansker ved montering eller bytte av skjermen. Vær forsiktig med bladet på skjermen, og beskytt hånden mot kutt.

⚠ ADVARSEL: Bruk aldri verktøyet uten skjermen på plass. Skjermen skal alltid være på verktøyet, for å beskytte brukeren! Når skjermen er festet, skal man aldri forsøke å fjerne eller justere den, og hvis det er nødvendig med bytte, skal det utføres av en kvalifisert servicetekniker!

Hold trimmeren med trimmerhodet opp, løsne og fjern de to skruene. Deretter justeres styreribbene inn med åpningene, skjermen skyves på plass og låses det med de to skruene. Sørg for at den indre overflaten av skjermen vender mot trimmerhodet.

MONTERING OG JUSTERING AV FREMRE HJELPEHÅNDTAK

Skyv det fremre hjelpehåndtaket på skaftet (fig. F), og sett klemblokken inn i håndtakssporet (fig. G). Monter låsepålen og lås med vingemutteren (fig. H). Sekvensen gjøres som vist i fig. E. Til slutt justeres det fremre hjelpehåndtakets posisjon slik at den fremre armen din er rett når du bruker trimmeren (fig. I) og deretter låses spaken på låsepålen (fig. J).

Fig. E og I delebeskrivelse, se nedenfor:

E-1	Fremre hjelpehåndtak	E-4	Vingemutter
E-2	Låsepåle	I-1	Mykt erme
E-3	Klemmeblokk	I-2	Advarselsetikett

MERK: Det fremre hjelpehåndtaket vris oppover slik at det peker mot toppen av håndtaket.

⚠ ADVARSEL: Det fremre hjelpehåndtaket skal bare festes i fronten av den myke hylsen på skaftet.

⚠ ADVARSEL: Verktøyet kan ikke brukes uten hvis det fremre hjelpehåndtaket er skikkelig festet.

DRIFT

⚠ ADVARSEL: Ikke la fortrolighet med dette produktet gjøre deg uforsiktig. Husk at et uforsiktig tiendedel av et sekund er nok til å forårsake alvorlige skader.

⚠ ADVARSEL: Bruk alltid vernebriller med sidebeskyttelse. Sammen med hørselsvern. Unnlattelse av å gjøre dette kan resultere i at gjenstander som blir kastet kommer inn i øynene, og andre mulige og alvorlige skader.

⚠ ADVARSEL: Ikke bruk tilbehør eller deler som ikke er anbefalt av produsenten av produktet. Bruk av tilbehør eller deler som ikke er anbefalt kan føre til alvorlige personskader.

⚠ ADVARSEL: Bruk bare gresstrimmeren din når den er utstyrt med riktig kuttelinje, for å klippe gress og lignende materiale.

⚠ ADVARSEL: For å hindre utilsiktet start som kan føre til alvorlig personskade, skal batteripakken alltid tas ut av verktøyet når du monterer deler, gjør justeringer, rengjør, eller når verktøyet ikke er i bruk.

Du kan bruke dette produktet til de formålene som er oppført nedenfor:

Trimming: brukes for å fjerne gress og ugress inntil vegger, gjerder, trær og grenser.

Kutting: brukes for å klippe gress som er vanskelig å komme til med en vanlig gressklipper.

MERK: Verktøyet skal bare brukes til det foreskrevne formålet sitt. All annen bruk, for eksempel kantklipping, anses for å være misbruk

AV-/PÅSETTING AV BATTERIPAKKEN

Lad helt opp før første gangs bruk.

Feste (fig. K)

Juster batteriillene sammen med monteringssporene, og trykk batteripakken ned til du hører et „klikk“.

Løsne (fig. L)

⚠ ADVARSEL: Ta alltid vare på føttene dine, samt barn eller kjæledyr som er rundt deg, når du trykker på batteriutløserknappen. Alvorlig personskade kan oppstå hvis batteripakken faller ned. ALDR! ta ut batteriet på et høyt sted.

Trykk ned batteriutløserknappen, og trekk batteripakken ut.

HVORDAN HOLDE GRESSTRIMMEREN

⚠ ADVARSEL: Kle deg riktig for å redusere risikoen for skader når du bruker dette verktøyet. Ikke bruk løstsittende klær eller smykker. Bruk vernebriller og øre/hørselsvern. Bruk tunge og lange bukser, støvler og hansker. Ikke bruk korte bukser eller sandaler, og ikke gå barbert.

Før du bruker den, må trimmeren holdes med begge hender, en hånd på det bakre håndtaket og den andre på det fremre hjelpe håndtaket, som skal være rett (fig. M). Så sjekker du at du har balansert fotfeste og riktig kutteavstand.

START/STOPP AV GRESSTRIMMERE (fig. N)

For å starte

Trykk ned låsespaken, og hold den i den posisjonen. Trykk på utløseren for å slå på gresstrimmeren.

For å stoppe

Slipp låsespaken og avtrekkeren.

⚠ ADVARSEL: Batteripakken må alltid fjernes fra gresstrimmeren under pauser og etter endt arbeid.

BRUKE GRESSTRIMMEREN

⚠ ADVARSEL: For å unngå alvorlige personskader skal det brukes briller eller vernebriller hele tiden mens du bruker denne enheten. Bruk en ansiktsmaske eller støvmaske i støvete omgivelser.

Rydd området som skal skjæres før hver bruk. Fjern alle gjenstander så som steiner, knust glass, spiker, ståltråd, eller line som kan kastes eller bli viklet inn i kuttedeler. Se til at området er fritt for barn, tilskuere og dyr. Minimum er at alle barn, tilskuere og dyr er minst 15m unna; det kan fremdeles være fare for at forbigående treffes av gjenstander som slynges ut. Tilskuere bør oppmuntres til å bruke vernebriller. Hvis du blir kontaktet, stopper du motoren og kutteutstyret umiddelbart.

Før hver bruk skal det sjekkes etter skadede/slitte deler

Sjekk støthodet, skjermen og det fremre hjelpehåndtaket, og bytt de delene som har sprekker, er vridd, bøyd eller skadet på noen måte.

Line-kutteskiven på kanten av skjermen kan bli sløv over tid. Det anbefales at du med jevne mellomrom skjerper den med en fil eller bytter den med et nytt blad.

⚠ ADVARSEL: Alltid bruk hansker ved montering av skjermen eller bytte av bladet. Vær forsiktig med bladet på skjermen, og beskytt hånden mot kutt.

Etter hver bruk, skal trimmeren rengjøres.

- Verktøyet skal bare rengjøres med mild såpe og en fuktig klut. Aldri la væske komme inn i verktøyet; aldri dypp noen del av verktøyet i væske.
- Hold luftventilene i motorhuset og skafte frie for rusk til enhver tid (fig. O).

Fig. O delebeskrivelse se nedenfor:

0-1	Luftehull i skafte
0-2	Luftehull i motorhuset

⚠ FORSIKTIG: Hindringer i ventilene vil hindre luft fra å komme inn i motorhuset, og resultere i overoppheting eller skade på motoren.

⚠ ADVARSEL: Bruk aldri vann til rengjøring av trimmeren din. Unngå å bruke løsemidler når plastdeler skal rengjøres. De fleste plasttyper er utsatt for skader fra ulike typer kommersielle løsemidler. Bruk rene kluter for å fjerne skitt, støv, olje, fett, etc.

JUSTERING AV KUTTLINELENGDEN

Støthodet gjør at brukeren kan frigjøre mer kutteline uten å stoppe motoren. Etter hvert som linen blir frynset eller slitt, kan ekstra linje frigis med et lett trykk på støtknotten mot bakken under bruk av trimmeren (fig. P).

For best resultat, trykkes støtknotten på barmark eller hard jord. Hvis linenumtningen forsøkes i høyt gress, kan motoren overopphetes. Hold alltid skjærelinjen helt utstruktet. Lineutslippet blir vanskeligere ettersom kuttelinene blir kortere.

⚠ ADVARSEL: Ikke fjern eller endre linekuttingsbladet montering. Overdreven linelengde vil føre til at motoren overopphetes og kan resultere i alvorlig personskade.

ARBEID MED STØTBESKYTTER

Støtbeskytteren kan begrense kutteområdet til kuttelinene, og redusere risikoen for at den roterende kuttelinene forårsaker skader (fig. Q)

For å bruke støtbeskytteren, vippes den ned fra lagringsposisjonen sin (fig. R).

⚠ ADVARSEL: Støthodet kan fortsette å rotere en kort stund etter at du har slått av gresstrimmeren. Vent til støthodet har stoppet helt før du justerer støtbeskytteren. Ikke juster den med foten.

BYTTE AV LINE

MERK: Bruk alltid standard nylon-trimmerline med diameter på ikke mer enn Ø2,0 mm.

⚠ ADVARSEL: Aldri bruk metallforsterket linje, wire, tau, etc. Disse kan knekke av og bli farlige prosjektiler.

Det finnes to metoder for å bytte trimmerlinen:

- Vikle spolen med ny linje.
- Installer en ferdig innrullet spole (AS1301, om nødvendig, tilgjengelig fra forhandler).

Vikle spolen med ny line

Trykk på de to utløsertappene på spolebasen, og trekk spoleholderen ut (fig. S). Ta ut ca 7m ny kutteline. Brett og vikle den på skjeen slik fig. T og U viser. Deretter plasseres linen gjennom de to motsatte hakkene i skjeen (fig. V) og skjeen settes i holderen sin med hakkene på linje med holdemaljene (fig. W). Til slutt justeres holdersporene inn med tappene på skjebasen, og holderen trykkes jevnt ned, samtidig som man sikrer at den knepper på plass (fig. X).

NO

MERK: Spoleholderen skal alltid rengjøres, samt spole og spolebasen før man monterer trimmerhodet. Sjekk spoleholderen, spolen og spolebasen for slitasje. Om nødvendig byttes slitte deler.

MERK: Unnlattelse av å vikle linen i retningen som er merket, vil føre til at trimmerhodet fungerer feil.

Installere en ferdig opprullet spole

Trykk på de to utløsertappene på spolebasen, og trekk spoleholderen ut (fig. S). Deretter plasseres en ferdig innrullet spole inn i holderen med hakkene på linje med holdemaljene (fig. W). Til slutt justeres holdersporene inn med tappene på skjebasen, og holderen trykkes jevnt ned, samtidig som man sikrer at den knepper på plass (fig. X).

Fig. W og X delebeskrivelse, se nedenfor:

W-1	Innsnitt	X-1	Fane
W-2	Øyehull	X-2	Hull

MERK: Pass på at tappene på spolebasen klikker på plass, ellers vil spolen komme ut under drift.

LAGRING AV ENHETEN

- Fjern batteripakken fra trimmeren når den ikke er i bruk.
- Rengjør verktøyet grundig før lagring.
- Lagre enheten tørt og godt ventilert, låst inne eller høyt oppe, og utilgjengelig for barn. Ikke oppbevar enheten på eller nær gjødsel, bensin eller andre kjemikalier.

NO

VEDLIKEHOLD

⚠ ADVARSEL: Ved service skal det bare brukes originale reservedeler. Inspiser og vedlikehold maskinen regelmessig. For sikre både sikkerheten og påliteligheten, skal alle reparasjoner utføres av en kvalifisert servicetekniker.

⚠ ADVARSEL: Batteriverktøy trenger ikke å være koblet til et strømuttak; derfor er de alltid klare til bruk. For å unngå alvorlig personskade, skal det tas ekstra forholdsregler og utvises forsiktighet når du utfører vedlikehold, service eller bytting av kutteutstyr eller annet tilbehør.

⚠ ADVARSEL: For å unngå alvorlig personskade, tas batteriet ut av verktøyet før service, rengjøring, bytte av tilbehør eller fjerning av materiale fra enheten.

RENGJØRING AV ENHETEN

- Rengjør enheten med en fuktig klut og mildt rengjøringsmiddel.
- Ikke bruk sterke vaskemidler på plasthuset eller håndtaket. De kan bli skadet av visse aromatiske oljer, slik som furu og sitron, og av løsemidler som parafin. Fuktighet kan også føre til fare for støt. Tørk av eventuell fuktighet med en myk, tørr klut.
- Bruk en liten pensel eller luftutslippet fra en liten støvsugerbørste til å holde luftventilene fri for hindringer på det bakre huset.

Beskytt miljøet

Elektrisk utstyr, batterilader og batterier/opppladbare batterier skal ikke kastes i husholdningsavfall.

Ifølge EU-forskrift 2012/19/EU, skal elektrisk og elektronisk utstyr som ikke lenger er brukbart, og som i henhold til EU-forskrift 2006/66/EC har defekte eller brukte batteripakker/batterier, samles inn separat.

Hvis elektrisk apparater kastes på søppelfyllinger, kan farlige stoffer lekke ut i grunnvannet og komme inn i næringskjeden, og forårsake skader på helse og velvære.

EU-SAMSVARERKLÆRING

Vi, EGO EUROPE GMBH

Wahlwiesenstrasse 1, D-71711 Steinheim an der Murr
Deutschland

Erklærer at produktet **56V lithium-ion batteridrevet gresstrimmer ST1210E** er i samsvar med de grunnleggende helse- og sikkerhetskravene i følgende direktiver: 2006/42/EF, 2014/30/EU, 2011/65/EU, 2000/14/EF

Standarder og tekniske spesifikasjoner som det refereres til:

EN 60335-1, EN 50636-2-91, EN 55014-1, EN 55014-2

Målt lydeffektnivå: 90,76 dB(A).

Garantert lydeffektnivå: 91 dB(A).

Samsvarsvurderingsprosedyren i vedlegg VI er fulgt i henhold til 2000/14/EC.

Teknisk kontrollorgan: Société Nationale de Certification et d'Homologation

Teknisk kontrollorgannummer: 0499

Peter Melrose
Administrerende direktør
for EGO Europe GmbH

Dong Jianxun
Kvalitetsdirektør hos Chevron

NO

** (Autorisert representant for CHERVON og ansvarlig for teknisk dokumentasjon)

01/09/2016

FEILSØKING

PROBLEM	ÅRSAK	LØSNING
Linetrimmeren vil ikke starte.	<ul style="list-style-type: none"> ■ Batteripakken er ikke festet til trimmeren. ■ Ingen elektrisk kontakt mellom trimmeren og batteriet. ■ Batteripakken er tom. ■ Låsespaken og utløseren ble ikke trykket inn samtidig. 	<ul style="list-style-type: none"> ■ Fest batteripakken til trimmeren. ■ Fjern batteriet, sjekk kontakter og installer batteripakken. ■ Lad opp batteripakken. ■ Trykk ned låsespaken og hold den inne, og trykk deretter på utløseren for å starte gresstrimmeren.
NO Gresstrimmeren stopper under trimmingen.	<ul style="list-style-type: none"> ■ Skjermen er ikke montert på trimmeren, noe som resulterer i altfor lang kutteline og overbelastning av motoren. ■ Tung kutteline brukes. ■ Motorakselen eller trimmerhodet er tettet av gress. ■ Motoren er overbelastet. ■ Batteripakken eller gresstrimmeren er for varm. ■ Batteripakken er koblet fra verktøyet. ■ Batteripakken er tom. 	<ul style="list-style-type: none"> ■ Ta ut batteripakken og fest skjermen på trimmeren. ■ Brukes bare med nylonkutteline med 2,0 mm diameter eller mindre. ■ Stopp trimmeren, ta ut batteriet, og fjern gress fra motorakselen og trimmerhodet. ■ Fjern trimmerhodet fra gresset. Motoren vil begynne å arbeide igjen straks belastningen er fjernet. Når du kutter, flyttes trimmerhodet inn og ut av gresset som skal klippes, og ikke fjern mer enn 20 cm lengde i et enkelt kutt. ■ La batteripakken eller trimmeren kjøle seg ned til temperaturen synker under 67 °C. ■ Installer batteripakken på nytt. ■ Lad opp batteripakken.

PROBLEM	ÅRSAK	LØSNING
Trimmerhodet vil ikke slippe ut line.	<ul style="list-style-type: none"> ■ Motorakselen eller trimmerhodet er tettet av gress. ■ Det er ikke nok line på spolen. ■ Trimmerhodet er skittent. ■ Linen er vaset sammen på spolen. ■ Linen er for kort. 	<ul style="list-style-type: none"> ■ Stopp trimmeren, ta ut batteriet, og fjern gress fra motorakselen og trimmerhodet. ■ Ta ut batteriet og sett på kuttelinen i henhold til avsnittet «LINEBYTTE» i denne bruksanvisningen. ■ Ta ut batteriet og rengjør spolen, spoleholderen og spolebasen. ■ Ta ut batteriet, fjern linen fra spolen og spol den tilbake; følg avsnittet «LINEBYTTE» i denne bruksanvisningen. ■ Ta ut batteriet og trekk linene mens du vekselvis trykker ned på og slipper støtknotten.
Gress vikler seg rundt trimmerhodet og motorhuset.	<ul style="list-style-type: none"> ■ Klipping av høyt gress på bakkenivå. 	<ul style="list-style-type: none"> ■ Klipp høyt gress fra toppen og ned, og ikke fjern mer enn 20 cm i hver passering, for å hindre opphopning.
Linen kutter ikke bra.	<ul style="list-style-type: none"> ■ Linekappskiven på kanten av skjermen har blitt sløv. 	<ul style="list-style-type: none"> ■ Skjerp linekappskiven med en fil, eller bytt den ut med en ny.

GARANTI

NO

EGO GARANTIREGLER

Besøk nettsiden egopowerplus.com for å se fullstendige vilkår og betingelser for EGO-garantireglene.

ПРОЧИТАЙТЕ ВСЕ ИНСТРУКЦИИ!



ПРОЧИТАЙТЕ И РАЗБЕРИТЕСЬ С РУКОВОДСТВОМ ПОЛЬЗОВАТЕЛЯ

⚠ Остаточные риски! Если вы используете электронные устройства, такие как кардиостимулятор, перед эксплуатацией данного устройства проконсультируйтесь с врачом. Использование электрооборудования в непосредственной близости от кардиостимулятора может привести к образованию помех и повреждению кардиостимулятора.

⚠ ПРЕДУПРЕЖДЕНИЕ. Чтобы обеспечить безопасность и надежность устройства, его ремонт и замену частей должен выполнять квалифицированный специалист.

СИМВОЛЫ БЕЗОПАСНОСТИ

Символы безопасности предназначены для привлечения внимания к возможным рискам. Символы безопасности, а также объяснения к ним, требуют особого внимания и понимания. Предупреждения по технике безопасности сами по себе не устраняют опасность. Инструкции и предупреждения не заменяют соответствующие меры по предотвращению несчастных случаев.

⚠ ПРЕДУПРЕЖДЕНИЕ. Перед использованием устройства внимательно прочитайте все инструкции в данном руководстве пользователя и ознакомьтесь с предупреждающими символами безопасности, такими как «ОПАСНОСТЬ», «ПРЕДУПРЕЖДЕНИЕ» и «ВНИМАНИЕ». Несоблюдение всех приведенных ниже инструкций может привести к поражению электрическим током, возникновению пожара и/или получению серьезных травм.

ЗНАЧЕНИЕ СИМВОЛОВ

ПРЕДУПРЕЖДАЮЩИЙ СИМВОЛ Означает **УВЕДОМЛЕНИЯ, ПРЕДУПРЕЖДЕНИЯ** и **ПРЕДОСТЕРЕЖЕНИЯ**. Может использоваться с другими символами или изображениями.



⚠ ПРЕДУПРЕЖДЕНИЕ. В результате работы электронного инструмента в глаза могут попасть посторонние предметы, что приведет к серьезному повреждению глаз. Перед началом использования электронного инструмента всегда надевайте защитную маску или защитные очки с боковыми щитками и

полнопрофильную защитную маску (при необходимости). Поверх очков или стандартных защитных очков рекомендуется надевать маску Wide Vision Safety.

ИНСТРУКЦИИ ПО ТЕХНИКЕ БЕЗОПАСНОСТИ

Далее приведено изображение и описание символов безопасности, которые могут присутствовать на данном устройстве. Перед сборкой или использованием внимательно прочитайте все инструкции, приведенные на устройстве, и соблюдайте их.

	Предупреждение об опасности	Меры предосторожности, касающиеся безопасности.
	Внимательно прочитайте руководство пользователя.	Чтобы уменьшить риск получения травм, перед использованием устройства необходимо прочитать и понять руководство по эксплуатации.
	Надевайте защитные очки.	При работе с данным устройством всегда используйте защиту для глаз или защитные очки с боковыми щитками и полнопрофильную защитную маску.
	Используйте средства защиты органов слуха.	При использовании устройства всегда надевайте средства защиты органов слуха.
	Диаметр лески	Диаметр нейлоновой режущей лески
	Ширина резания	Макс. ширина резания триммера с леской
	Не оставляйте под дождем.	Во время дождя не используйте устройство и не оставляйте его вне помещения.
	Конструкция класса II	Конструкция с двойной изоляцией.
	Не позволяйте посторонним людям находиться вблизи.	Убедитесь, что другие люди и животные находятся на расстоянии не менее 15 м от работающего устройства.

	Не позволяйте посторонним людям находиться поблизости.	Убедитесь, что другие люди и животные находятся на расстоянии не менее 15м от работающего устройства.
V	Вольт	Напряжение
A	Амперы	Сила тока
Hz	Герц	Частота (оборотов в секунду)
W	Ватт	Мощность
min	Минуты	Время
	Переменный ток	Тип тока
	Постоянный ток	Тип или характеристика тока
n_0	Скорость работы без нагрузки	Скорость вращения без нагрузки
... /min	В минуту	Оборотов в минуту

ВАЖНЫЕ ИНСТРУКЦИИ ПО ТЕХНИКЕ БЕЗОПАСНОСТИ

⚠ ПРЕДУПРЕЖДЕНИЕ. При использовании триммеров с леской необходимо соблюдать следующие основные меры предосторожности для уменьшения вероятности возникновения пожара, поражения электрическим током и получения травм.

ВНИМАТЕЛЬНО ПРОЧИТАЙТЕ ПЕРЕД ИСПОЛЬЗОВАНИЕМ

СОХРАНИТЕ ДЛЯ ИСПОЛЬЗОВАНИЯ В БУДУЩЕМ

⚠ ОПАСНО! Не полагайтесь на изоляцию устройства от поражения электрическим током. Чтобы снизить риск поражения электрическим током, не используйте устройство вблизи каких-либо проводов или кабелей (питания и др.), которые могут быть под напряжением.

⚠ ВНИМАНИЕ! Во время использования устройства надевайте соответствующие индивидуальные средства защиты органов слуха. При определенных условиях и длительности использования шум от данного устройства может привести к потере слуха.

ОБУЧЕНИЕ

- Внимательно прочитайте инструкции. Ознакомьтесь со всеми элементами управления и научитесь правильно использовать оборудование.
- Никогда не позволяйте пользоваться устройством детям или людям, не знакомым с этими инструкциями. Местные нормы могут ограничивать возраст оператора.
- Помните, что оператор или владелец несут ответственность за несчастные случаи и ущерб, нанесенный другим людям или их имуществу.

ПОДГОТОВКА

- Не используйте устройство, если рядом с вами находятся люди (особенно дети) или животные.
- При работе с устройством надевайте защитные очки и прочную обувь.

ИСПОЛЬЗОВАНИЕ

- Используйте инструмент только при дневном свете или хорошем искусственном освещении.
- Не используйте инструмент, если щетки повреждены или не установлены.
- Перед запуском двигателя убедитесь, что режущие части находятся на достаточном расстоянии от рук и ног.
- Всегда отключайте устройство от источника питания (т.е. извлекайте вилку из розетки или отключайте отключающее устройство) в следующих случаях:
 - если инструмент остается без присмотра;
 - перед очисткой засорения;
 - перед проверкой, очисткой или выполнением работ, связанных с устройством;
 - после столкновения с посторонним предметом;
 - в случае чрезмерной вибрации устройства.
- Чтобы не допустить получения травм, руки и ноги должны находиться на безопасном расстоянии от режущих частей.
- Следите за тем, чтобы вентиляционные отверстия не были засорены.

ОБСЛУЖИВАНИЕ И ХРАНЕНИЕ

- Прежде чем выполнять обслуживание или очистку, всегда отключайте устройство от источника питания (т.е. извлекайте вилку из розетки или отключайте отключающее устройство).
- Используйте только запасные части и дополнительные приспособления, рекомендованные производителем.

- Регулярно проверяйте и выполняйте техническое обслуживание устройства. Ремонт устройства должен выполнять только квалифицированный специалист.
- Если инструмент не используется, храните его в недоступном для детей месте.

ПРОЧИЕ ПРЕДУПРЕЖДЕНИЯ ПО ТЕХНИКЕ БЕЗОПАСНОСТИ

- Не допускайте работы в опасных условиях — не используйте триммеры в сырых и влажных местах.
- Всегда выключайте устройство или извлекайте из него аккумулятор, когда оставляете триммер без присмотра.
- Не используйте во время дождя.
- Не подпускайте к устройству детей — все посторонние должны находиться на безопасном расстоянии от обрабатываемого участка.
- Одевайтесь надлежащим образом — не надевайте свободную одежду и украшения. Они могут попасть в движущиеся части. Рекомендуется использовать резиновые перчатки и прочную обувь при работе на открытом воздухе. Надевайте защитный головной убор, чтобы убрать длинные волосы.
- Используйте защитные очки — если во время работы возникает пыль, надевайте маску для лица или респиратор.
- Используйте подходящий инструмент — не используйте устройство не по назначению.
- Не прилагайте чрезмерных усилий к триммеру — использование с предназначенной скоростью способствует более эффективному выполнению работы с меньшим риском получения травмы.
- Не тянитесь — во время работы всегда сохраняйте устойчивое положение.
- Будьте бдительны — следите за выполняемой работой. Руководствуйтесь здравым смыслом. Не пользуйтесь триммером, если устали.
- Не используйте триммер, если вы находитесь под воздействием алкоголя или наркотических средств.
- Защитные ограждения должны быть установлены и находиться в рабочем состоянии.
- Храните триммер внутри помещения — если устройство не используется, его необходимо хранить в сухом, высоком или закрытом месте, недоступном для детей, с извлеченным аккумулятором.
- Аккуратно обслуживайте триммер — для оптимальной производительности и снижения риска получения травмы следите за тем, чтобы режущее приспособление было острым и чистым. Соблюдайте инструкции по замене принадлежностей. Следите за тем, чтобы рукоятки были сухими и чистыми и на них не было масла или смазочного материала.
- Проверяйте инструмент на наличие поврежденных частей — перед дальнейшим использованием инструмента необходимо тщательно проверить защитное ограждение или другие поврежденные части и убедиться в их исправной работе и выполнении предназначенной функции. Проверьте правильное положение и сцепление движущихся частей, наличие их повреждений, крепление и другие условия, которые могут повлиять на работу электроинструмента. В случае повреждения щиток или другие части необходимо отремонтировать надлежащим образом или заменить в авторизованном сервисном центре, если не указано иное в данном руководстве пользователя.
- Очищайте обрабатываемый участок перед каждым использованием инструмента. Удалите такие предметы, как камни, осколки стекла, гвозди, проволоку или веревки, которые могут запутаться в режущем приспособлении или которые оно может отбросить. Убедитесь, что другие люди и животные находятся на расстоянии не менее 15 м от работающего устройства.
- Перед началом и после завершения использования инструмента проверьте его на наличие износа и повреждений; при необходимости отремонтируйте.
- Во время использования всегда крепко держите триммер обеими руками за рукоятки. Обхватите рукоятки пальцами.
- Чтобы предотвратить случайное включение, во время переноски не держите палец на курке.
- Не используйте триммер в горючих и взрывоопасных средах. Во время работы двигатель устройства генерирует искры, которые могут воспламенить горючие газы.
- Прежде чем прикасаться к опасным движущимся частям, отключите устройство от источника питания (или извлеките аккумулятор из устройства) и дождитесь, пока движущиеся части полностью остановятся.
- Повреждение триммера — если устройство столкнулось с посторонним предметом или запуталось в чем-либо, немедленно выключите его, извлеките аккумулятор, проверьте триммер на наличие повреждений и отремонтируйте повреждения перед следующим использованием устройства. Не используйте устройство с поврежденными щитком или катушкой.

- Если устройство чрезмерно вибрирует, заглушите двигатель, извлеките из устройства аккумулятор и немедленно выясните причину. Обычно вибрация указывает на возникновение проблемы. Ослабленная головка может вибрировать, трескаться, ломаться или соскочить с триммера, что может привести к серьезным травмам или смерти. Убедитесь, что режущее приспособление установлено должным образом и надежно закреплено. Если головка расшатывается после закрепления, немедленно замените ее. Никогда не используйте триммер, если какие-либо его части плохо закреплены.
- Немедленно замените режущую головку, если она треснула, повреждена или изношена, даже если повреждение находится только на поверхности. Поврежденные приспособления могут разрушиться на высокой скорости и нанести серьезные или фатальные травмы.
- Регулярно проверяйте режущее приспособление во время использования, а также сразу после обнаружения серьезных изменений в работе устройства.
- Используйте только авторизованные EGO™ приспособления для полимерных лесок триммеров (Ø2,0 mm) и режущие лески, разработанные специально для этого устройства. Несмотря на то что неавторизованные приспособления могут быть установлены на триммеры EGO™, их использование очень опасно и/или может привести к повреждению устройства.
- Чтобы снизить риск получения серьезных травм, никогда не используйте проволоку, усиленную металлом леску и другие материалы вместо нейлоновой режущей лески. Кусочки проволоки могут отламываться и отбрасываться с большой скоростью в сторону оператора и стоящих рядом.
- Чтобы снизить риск получения травм при потере контроля, никогда не работайте на стремянке или на любой другой неустойчивой поверхности. Никогда не поднимайте режущее приспособление выше уровня талии.
- При возникновении ситуаций, не описанных в данном руководстве, соблюдайте осторожность и руководствуйтесь здравым смыслом. Обратитесь в сервисный центр EGO за помощью.
- Не заряжайте аккумулятор под дождем или во влажных условиях.
- Используйте только аккумуляторы и зарядные устройства, указанные ниже.
- Прежде чем выбрасывать устройство, необходимо извлечь аккумулятор.
- Аккумулятор необходимо утилизировать безопасным способом.
- Не бросайте аккумуляторы в огонь. Аккумуляторы могут взорваться. Ознакомьтесь с местными нормами и правилами, которые могут содержать специальные инструкции по утилизации.
- Не вскрывайте и не деформируйте аккумулятор. Вытекший электролит может стать причиной коррозии и привести к повреждению глаз или кожи. Он токсичен при проглатывании.
- Будьте осторожны при обращении с аккумуляторами, чтобы не замкнуть контакты предметами из проводящих материалов, такими как кольца, браслеты и ключи. Аккумулятор или контакт могут перегреться и вызвать ожоги.
- При ремонте используйте только идентичные запасные части EGO™. Использование других принадлежностей или приспособлений может привести к получению травмы.
- Работающие от аккумуляторов инструменты не требуются подключать к розетке электросети, поэтому они всегда готовы к использованию. Помните о возможности возникновения опасных ситуаций даже когда устройство не используется. Соблюдайте осторожность при выполнении технического обслуживания или ремонта.
- Не мойте устройство из шланга. Избегайте попадания воды в двигатель и электрические соединения.
- Сохраните данные инструкции. Регулярно просматривайте их и предоставляйте для ознакомления другим пользователям. Одалживая кому-либо устройство, передайте также данные инструкции для предотвращения неправильного использования и возможных травм.
- При работе с устройством всегда надевайте прочную обувь и длинные брюки.
- Сохраняйте устойчивое положение на склонах. Передвигайтесь шагом, не бегайте.

СОХРАНИТЕ ДАННЫЕ ИНСТРУКЦИИ!

АККУМУЛЯТОР	ЗАРЯДНОЕ УСТРОЙСТВО
BA1120E, BA2240E, BA2800, BA3360, BA4200	CH5500E, CH2100E

ТЕХНИЧЕСКИЕ ХАРАКТЕРИСТИКИ

Напряжение	56 V $\overline{\text{---}}$	
Скорость вращения без нагрузки	7000 /мин	
Режущий механизм	Головка катушки	
Тип режущей лески	Круглая нейлоновая леска AL0800 Ø2 мм	
Ширина резания	30 см	
Масса (без аккумулятора)	2,85 кг	
Измеренный уровень звуковой мощности L_{WA}	90,76 дБ (А) K= 2,5 дБ (А)	
Максимальная уровень звукового давления на уши оператора L_{PA}	75 дБ (А) K= 2,5 дБ (А)	
Гарантированный уровень звуковой мощности L_{WA} (измерен в соответствии с 2000/14/ЕС)	91 дБ (А)	
Вибрация a_h	Передняя вспомогательная рукоятка	3,279 м/с ² K= 1,5 м/с ²
	Задняя рукоятка	4,915 м/с ² K= 1,5 м/с ²

RU

- Указанный общий показатель уровня вибрации был определен с помощью стандартного теста и может быть использован для сравнения разных инструментов.
- Указанный общий уровень вибрации может использоваться также для предварительной оценки уровня воздействия.

ПРИМЕЧАНИЕ. Реальное вибрационное воздействие электроинструмента может отличаться от указанного в зависимости от способа использования. В целях безопасности оператор должен надевать перчатки и средства защиты органов слуха во время использования устройства.

УПАКОВОЧНЫЙ ЛИСТ

НАЗВАНИЕ ДЕТАЛИ	КОЛИЧЕСТВО
Триммер с леской	1
Щиток	1
Узел передней вспомогательной рукоятки	1
Шестигранный ключ	1
Руководство по эксплуатации	1

ОПИСАНИЕ

ЧАСТИ ТРИММЕРА С ЛЕСКОЙ (Рис. А)

1. Курок
2. Задняя рукоятка
3. Рычаг блокировки
4. Мягкая накладка
5. Регулируемая передняя вспомогательная рукоятка
6. Вал
7. Щиток катушки
8. Фиксатор катушки
9. Головка катушки (режущая головка)
10. Щиток
11. Лезвие для лески
12. Выталкивающий механизм
13. Электрические контакты
14. Фиксатор
15. Кнопка фиксации аккумулятора

СБОРКА

⚠ ПРЕДУПРЕЖДЕНИЕ. Если какие-либо части повреждены или отсутствуют, не используйте устройство, пока они не будут заменены. Использование устройства в случае повреждения или отсутствия частей может привести к получению серьезной травмы.

⚠ ПРЕДУПРЕЖДЕНИЕ. Не пытайтесь изменить конструкцию триммера или создать не рекомендованные для него дополнительные приспособления. Подобное изменение считается ненадлежащим использованием и способствует возникновению опасной ситуации, которая приведет к получению серьезной травмы.

⚠ ПРЕДУПРЕЖДЕНИЕ. Чтобы предотвратить случайное включение устройства и получение серьезной травмы, во время сборки извлекайте аккумулятор.

УСТАНОВКА ЩИТКА (Рис. В, С и D)

⚠ ПРЕДУПРЕЖДЕНИЕ. Всегда надевайте перчатки при установке и демонтаже щитка. Остерегайтесь лезвия на щитке и берегите руки от порезов.

⚠ ПРЕДУПРЕЖДЕНИЕ. Никогда не используйте устройство без надежно установленного щитка. Щиток всегда должен быть установлен на устройство для защиты пользователя! Если щиток установлен, не пытайтесь ремонтировать или регулировать его. Если его необходимо заменить, эту работу должен выполнить квалифицированный специалист по обслуживанию!

Переверните триммер головкой вверх, открутите и извлеките два винта. Совместите ребра щитка с отверстиями в корпусе, вставьте щиток на место и зафиксируйте его при помощи двух винтов. Убедитесь, что внутренняя поверхность щитка обращена в сторону головки триммера.

УСТАНОВКА И РЕГУЛИРОВКА ПЕРЕДНЕЙ ВСПОМОГАТЕЛЬНОЙ РУКОЯТКИ

Наденьте переднюю вспомогательную рукоятку на вал (Рис. F), затем вставьте зажимной блок в отверстие рукоятки (Рис. G), установите фиксатор и закрепите их при помощи барашковой гайки (Рис. H). Последовательность указана на Рис. E. Наконец, отрегулируйте положение передней вспомогательной рукоятки таким образом, чтобы передняя рука была полностью распрямлена при использовании триммера (Рис. I), а затем закрепите рычаг фиксатора (Рис. J).

Описание частей на Рис. E и I

E-1	Передняя вспомогательная рукоятка	E-4	Барашковая гайка
E-2	Фиксатор	I-1	Мягкая накладка
E-3	Зажимной блок	I-2	Предупреждающая этикетка

ПРИМЕЧАНИЕ. Передняя вспомогательная рукоятка должна быть повернута вверх, чтобы располагаться сверху рукоятки.

⚠ ПРЕДУПРЕЖДЕНИЕ. Фиксируйте переднюю вспомогательную рукоятку только спереди от мягкой накладки.

⚠ ПРЕДУПРЕЖДЕНИЕ. Не используйте устройство без надежно установленной передней вспомогательной рукоятки.

ИСПОЛЬЗОВАНИЕ

⚠ ПРЕДУПРЕЖДЕНИЕ. Не допускайте небрежности и беспечности при работе с устройством. Помните, что потери бдительности на долю секунды достаточно для получения серьезной травмы.

⚠ ПРЕДУПРЕЖДЕНИЕ. Всегда надевайте защитные очки с боковыми щитками, а также средства защиты органов слуха. В противном случае выбрасываемые предметы попадут в глаза, что может привести к получению серьезной травмы.

⚠ ПРЕДУПРЕЖДЕНИЕ. Не используйте насадки или дополнительные приспособления, не рекомендованные производителем устройства. Использование нерекондованных дополнительных приспособлений может привести к серьезным травмам.

⚠ ПРЕДУПРЕЖДЕНИЕ. Используйте триммер, оснащенный подходящей режущей леской, только для скашивания травы и подобных материалов.

⚠ ПРЕДУПРЕЖДЕНИЕ. Чтобы предотвратить случайное включение устройства и получение серьезной травмы, извлеките аккумулятор перед выполнением сборки, регулировки и очистки, а также когда устройство не используется.

Данное устройство можно использовать в следующих целях.

Скашивание: используется для удаления травы и сорняков рядом со стенами, заборами, деревьями и бордюрами.

Резка: используется для скашивания травы, которую трудно достать при помощи обычной газонокосилки.

ПРИМЕЧАНИЕ. Инструмент должен использоваться только по назначению. Любое другое использование (например, обрезка кустов) считается неправильным.

УСТАНОВКА И ДЕМОНТАЖ АККУМУЛЯТОРА

Перед первым использованием полностью зарядите аккумулятор.

Установка (Рис. K)

Совместите ребра аккумулятора с крепежными отверстиями и вставьте аккумулятор до щелчка.

Демонтаж (Рис. L)

⚠ ПРЕДУПРЕЖДЕНИЕ. Всегда следите за положением своих ног, а за также за местонахождением детей и животных, когда извлекаете аккумулятор из устройства при помощи кнопки фиксации. Падение аккумулятора может привести к серьезным травмам. НИКОГДА не извлекайте аккумулятор, если находитесь на возвышенности.

Нажмите кнопку фиксации аккумулятора и извлеките аккумулятор.

ОБРАЩЕНИЕ С ТРИММЕРОМ С ЛЕСКОЙ

⚠ ПРЕДУПРЕЖДЕНИЕ. Одевайтесь надлежащим образом, чтобы снизить риск получения травм при использовании данного инструмента. Не надевайте свободную одежду и украшения. Наденьте защиту органов зрения и слуха. Надевайте плотные длинные брюки, прочную обувь и перчатки. Не надевайте шорты, сандалии и не работайте босиком.

Перед началом работы возьмите триммер обеими руками: одной рукой за заднюю рукоятку, а другой — за переднюю вспомогательную рукоятку таким образом, чтобы рука была полностью выпрямлена (Рис. М). Затем примите устойчивое положение, соблюдая надлежащее расстояние для работы.

ВКЛЮЧЕНИЕ И ВЫКЛЮЧЕНИЕ ТРИММЕРА С ЛЕСКОЙ (Рис. N)

Включение

Нажмите на рычаг блокировки и удерживайте его. Затем зажмите курковый переключатель, чтобы включить триммер.

Выключение

Отпустите рычаг блокировки и курковый переключатель.

⚠ ПРЕДУПРЕЖДЕНИЕ. Во время перерывов в работе и после ее окончания всегда извлекайте аккумулятор из триммера.

ИСПОЛЬЗОВАНИЕ ТРИММЕРА С ЛЕСКОЙ

⚠ ПРЕДУПРЕЖДЕНИЕ. Во избежание травм всегда надевайте защитные очки при работе с данным устройством. Надевайте маску или респиратор при работе в пыльной среде.

Очищайте обрабатываемый участок перед каждым использованием инструмента. Удалите такие предметы, как камни, осколки стекла, гвозди, проволоку или веревки, которые могут запутаться в режущем приспособлении или которые оно может отбросить. На участке не должны находиться дети, прохожие и животные. Дети, прохожие и животные должны находиться на расстоянии не менее 15м, так как во время работы могут отлетать предметы. Посторонние лица должны надевать защитные очки. В случае приближения посторонних лиц немедленно остановите двигатель и режущее приспособление.

Перед каждым использованием проверяйте устройство на наличие поврежденных и изношенных частей.

Проверьте головку катушки, щиток и переднюю вспомогательную рукоятку и замените треснувшие, деформированные, изогнутые или поврежденные части.

Лезвие для обрезки лески на краю щитка может время от времени затупляться. Рекомендуется периодически затачивать его напильником или заменять новым.

⚠ ПРЕДУПРЕЖДЕНИЕ. Всегда надевайте перчатки при установке щитка, заточке или замене лезвия. Остерегайтесь лезвия на щитке и берегите руки от порезов.

Очищайте триммер после каждого использования.

- Для очистки устройства используйте только слабый мыльный раствор и влажную ткань. Никогда не допускайте попадания какой-либо жидкости внутрь инструмента и никогда не погружайте никакие части инструмента в жидкость.
- Следите за тем, чтобы вентиляционные отверстия на корпусе двигателя и вале всегда были чистыми (Рис. O).

Описание частей на Рис. O

O-1	Вентиляционные отверстия вала
O-2	Вентиляционные отверстия корпуса двигателя

⚠ ВНИМАНИЕ! Загрязнения в вентиляционных отверстиях могут помешать попаданию воздуха в корпус двигателя и привести к перегреву и повреждению двигателя.

⚠ ПРЕДУПРЕЖДЕНИЕ. Никогда не используйте воду для очистки триммера. Не используйте растворители для очистки пластиковых элементов. Большинство пластиковых частей чувствительны к различным бытовым растворителям. Для очистки от грязи, пыли, масла, смазки и т. п. используйте чистую ткань.

РЕГУЛИРОВКА ДЛИНЫ РЕЖУЩЕЙ ЛЕСКИ

Головка катушки позволяет оператору вытянуть больше лески, не выключая двигатель. Если леска изнашивается во время использования триммера, слегка прижмите фиксатор катушки к земле, чтобы вытянуть дополнительную леску (Рис. P).

Для достижения наилучших результатов прижимайте фиксатор катушки к голой и твердой земле. Если осуществлять регулировку лески в высокой траве, двигатель может перегреться. Леска всегда должна быть вытянута на полную длину. Регулировку сложнее выполнять, когда режущая леска становится короткой.

⚠ ПРЕДУПРЕЖДЕНИЕ. Не демонтируйте и не изменяйте узел лезвия для обрезки лески. Слишком длинная леска может стать причиной перегрева двигателя и серьезных травм.

РАБОТА С ЩИТКОМ КАТУШКИ

Щиток катушки позволяет ограничить диапазон скашивания режущей леской и снизить риск получения повреждений от вращающейся режущей лески (Рис. Q).

Чтобы использовать щиток катушки, опустите его вниз из положения хранения (Рис. R).

⚠ ПРЕДУПРЕЖДЕНИЕ. Головка катушки может продолжать вращаться некоторое время после выключения двигателя триммера. Перед регулировкой щитка катушки дождитесь полной остановки головки катушки. Не регулируйте щиток ногами.

ЗАМЕНА ЛЕСКИ

ПРИМЕЧАНИЕ. Всегда используйте стандартную нейлоновую режущую леску диаметром не более 2 мм.

⚠ ПРЕДУПРЕЖДЕНИЕ. Никогда не используйте усиленную металлом леску, проволоку, веревку и т.д. Части этих материалов могут отделяться и опасно разлетаться в стороны.

Существует два способа замены режущей лески.

1. Намотайте новую леску на катушку.
2. Установите новую катушку с намотанной леской (AS1301, имеется в продаже у официальных дилеров).

Намотка новой лески на катушку

Нажмите на два зажима у основания катушки и снимите ее с фиксатора (Рис. S). Возьмите приблизительно 7 м новой режущей лески. Сложите ее и намотайте на катушку, как показано на Рис. T и U. Затем проденьте концы лески через два паза катушки, расположенных друг напротив друга (Рис. V), и установите катушку на фиксатор, совместив пазы с отверстиями фиксатора (Рис. W). Наконец, совместите разъемы фиксатора с зажимами на основании катушки, прижмите фиксатор и убедитесь, что он надежно встал на место (Рис. X).

ПРИМЕЧАНИЕ. Всегда очищайте фиксатор катушки, катушку и ее основание перед сборкой головки триммера. Проверьте их на наличие признаков износа. При необходимости заменяйте изношенные части.

ПРИМЕЧАНИЕ. Несоблюдение указанного направления намотки лески может привести к неправильной работе головки триммера.

Установка готовой катушки

Нажмите на два зажима у основания катушки и снимите ее с фиксатора (Рис. S). Затем установите катушку с леской на фиксатор, совместив пазы и отверстиями (Рис. W). Наконец, совместите разъемы фиксатора с зажимами на основании катушки, прижмите фиксатор и убедитесь, что он надежно встал на место (Рис. X).

Описание частей на Рис. W и X

W-1	Паз	X-1	Зажим
W-2	Отверстие	X-2	Разъем

ПРИМЕЧАНИЕ. Убедитесь, что зажимы на основании катушки надежно зафиксировались на месте, в противном случае катушка слетит с триммера во время использования.

ОБСЛУЖИВАНИЕ

⚠ ПРЕДУПРЕЖДЕНИЕ. При ремонте используйте только идентичные запасные части. Регулярно проверяйте и выполняйте техническое обслуживание устройства. Чтобы обеспечить безопасность и надежность устройства, его ремонт должен выполнять квалифицированный специалист.

⚠ ПРЕДУПРЕЖДЕНИЕ. Работающие от аккумуляторов инструменты не требуются подключать к розетке электросети, поэтому они всегда готовы к использованию. Чтобы предотвратить получение серьезных травм, будьте особо осторожны и внимательны при выполнении технического обслуживания, ремонта или замене режущих или других приспособлений.

⚠ ПРЕДУПРЕЖДЕНИЕ. Чтобы предотвратить получение серьезных травм, извлекайте аккумулятор перед выполнением сервисного обслуживания, очистки, замены принадлежностей или удаления материала из устройства.

ОЧИСТКА УСТРОЙСТВА

- Очистите устройство с помощью влажной ткани и мягкого моющего средства.
- Не используйте активные моющие средства для очистки пластикового корпуса или рукоятки. Они могут быть повреждены определенными ароматическими маслами, такими как хвойное и лимонное масла, а также растворителями, например керосином. Кроме того, наличие влаги может привести к поражению электрическим током. Протрите влажное место мягкой сухой тканью.

- С помощью маленькой щетки или нагнетания воздуха с помощью небольшого пылесоса очистите вентиляционные отверстия на задней стороне корпуса от загрязнений.

ХРАНЕНИЕ УСТРОЙСТВА

- Извлеките аккумулятор из устройства, если оно не используется.
- Тщательно очистите устройство перед хранением.
- Храните устройство в сухом, хорошо проветриваемом, закрытом или высоком месте, недоступном для детей. Не храните устройство рядом с удобрениями, бензином или другими химическими веществами.

Защита окружающей среды



Не выбрасывайте электрооборудование, зарядные устройства, батарейки и аккумуляторы вместе с бытовыми отходами!

В соответствии с европейским законом 2012/19/EU электрическое и электронное оборудование, которое не подлежит дальнейшей эксплуатации, а также непригодные и использованные батарейки и аккумуляторы (согласно европейскому закону 2006/66/EC) должны быть утилизированы отдельно.

При утилизации электрических устройств на свалках в подземные воды могут просочиться опасные вещества, которые затем попадут в пищевую цепь и приведут к общему ухудшению здоровья и благополучия.

RU

ДЕКЛАРАЦИЯ О СООТВЕТСТВИИ НОРМАМ ЕС



Мы, EGO EUROPE GMBH

Wahlwiesenstrasse 1, D-71711 Steinheim an der Murr
Deutschland

заявляем, что беспроводной триммер **ST1210E с леской и литий-ионным аккумулятором 56 В** соответствует основным правилам по технике безопасности и производственной санитарии следующих директив:

2006/42/EC, 2014/30/EC, 2011/65/EC, 2000/14/EC

Стандарты и технические требования, относящиеся к:

EN 60335-1, EN 50636-2-91, EN 55014-1, EN 55014-2

Измеренный уровень звукового давления: 90,76 дБ (А).
Гарантированный уровень звуковой мощности: 91 дБ (А).

Процедура оценки соответствия в Приложении VI выполняется согласно 2000/14 / EC.

Уполномоченный орган: Société Nationale de Certification et d'Homologation

Номер уполномоченного органа: 0499

Peter Melrose
Директор EGO Europe GmbH

Dong Jianxun
Руководитель отдела
технического контроля Chevron

* (уполномоченный представитель CHERVON и лицо, ответственное за техническую документацию)

01/09/2016

УСТРАНЕНИЕ НЕИСПРАВНОСТЕЙ

ПРОБЛЕМА	ПРИЧИНА	РЕШЕНИЕ
Триммер с леской не запускается.	<ul style="list-style-type: none"> ■ Аккумулятор не установлен в триммер. ■ Нет электрического контакта между триммером и аккумулятором. ■ Аккумулятор разряжен. ■ Рычаг блокировки и курковый переключатель не зажаты одновременно. 	<ul style="list-style-type: none"> ■ Установите аккумулятор в триммер. ■ Извлеките аккумулятор, проверьте контакты и установите его снова. ■ Зарядите аккумулятор. ■ Нажмите на рычаг блокировки и удерживайте его, затем зажмите курковый переключатель, чтобы включить триммер.
Устройство остановилось во время работы.	<ul style="list-style-type: none"> ■ Щиток не установлен на триммер, в результате чего леска стала очень длинной, и двигатель перегрелся. ■ Используется слишком тяжелая режущая леска. ■ Вал двигателя и головка триммера забились травой. ■ Двигатель перегружен. ■ Аккумулятор или триммер перегрелись. ■ Аккумулятор не подключен к устройству. ■ Аккумулятор разряжен. 	<ul style="list-style-type: none"> ■ Извлеките аккумулятор и установите щиток на триммер. ■ Используйте только нейлоновую режущую леску диаметром не более 2 мм. ■ Выключите триммер, извлеките аккумулятор и удалите траву из вала двигателя и головки триммера. ■ Поднимите головку триммера над травой. Двигатель начнет работать снова, как только нагрузка уменьшится. Во время скашивания перемещайте головку триммера в траву и из нее, срезая не более 20 см длины за раз. ■ Дайте аккумулятору или триммеру остыть, пока температура не упадет ниже 67 °С. ■ Установите аккумулятор. ■ Зарядите аккумулятор.

ПРОБЛЕМА	ПРИЧИНА	РЕШЕНИЕ
Из головки триммера не вытягивается леска.	<ul style="list-style-type: none"> ■ Вал двигателя и головка триммера забились травой. ■ Недостаточно лески в катушке. ■ Головка триммера загрязнена. ■ Леска запуталась в катушке. ■ Леска слишком короткая. 	<ul style="list-style-type: none"> ■ Выключите триммер, извлеките аккумулятор и удалите траву из вала двигателя и головки триммера. ■ Извлеките аккумулятор и замените режущую леску в соответствии с инструкциями в разделе «ЗАМЕНА ЛЕСКИ» данного руководства. ■ Извлеките аккумулятор, очистите катушку, ее фиксатор и основание. ■ Извлеките аккумулятор, снимите леску с катушки и намотайте ее заново в соответствии с инструкциями в разделе «ЗАМЕНА ЛЕСКИ» данного руководства. ■ Извлеките аккумулятор и вытяните леску, нажимая на фиксатор катушки.
Трава наматалась на головку триммера и корпус двигателя.	<ul style="list-style-type: none"> ■ Стрижка высокой травы на уровне земли. 	<ul style="list-style-type: none"> ■ Скашивайте высокую траву сверху вниз и срезайте не более 20 см за один раз, чтобы предотвратить подобные ситуации.
Леска плохо срезает траву.	<ul style="list-style-type: none"> ■ Лезвие для обрезки лески на краю щитка затупилось. 	<ul style="list-style-type: none"> ■ Заточите лезвие для обрезки лески напильником или замените.

ГАРАНТИЯ

ГАРАНТИЙНАЯ ПОЛИТИКА EGO

Посетите веб-сайт egopowerplus.com, чтобы ознакомиться со всеми условиями и сроками гарантийной политики EGO.

PRZECZYTAJ WSZYSTKIE INSTRUKCJE!



**PRZECZYTAJ ZE ZROZUMIENIEM
INSTRUKCJE OBSŁUGI**

⚠ Ryzyko szczytkowe! Osoby z urządzeniami elektronicznymi, takimi jak rozruszniki serca, powinny przed użyciem produktu skonsultować się ze swoim(i) lekarzem(-ami). Używanie urządzeń elektrycznych blisko rozrusznika serca może spowodować zakłócenia lub uszkodzić rozrusznik.

⚠ OSTRZEŻENIE: Aby zagwarantować bezpieczeństwo i niezawodność, wszystkie naprawy i wymiany części powinny być wykonywane przez wykwalifikowanych techników serwisu.

SYMBOLE BEZPIECZEŃSTWA

Celem symboli bezpieczeństwa jest zwrócenie uwagi użytkownika na możliwe zagrożenia. Symbole bezpieczeństwa i objaśnienia do nich zasługują na to, by je uważnie przestudiować i zrozumieć. Symbole bezpieczeństwa nie eliminują same z siebie jakichkolwiek zagrożeń. Podawane w nich instrukcje i ostrzeżenia nie zastępują odpowiednich środków zapobiegania wypadkom.

⚠ OSTRZEŻENIE: Przed użyciem narzędzia prosimy przeczytać i zrozumieć wszystkie instrukcje dotyczące bezpieczeństwa podane w podręczniku użytkownika, łącznie z wszystkimi symbolami ostrzegawczymi takimi jak „NIEBEZPIECZEŃSTWO”, „OSTRZEŻENIE” i „UWAGA”. Niestosowanie się do wszystkich podanych niżej instrukcji może doprowadzić do porażenia prądem, pożaru i/lub poważnych obrażeń.

ZNACZENIE SYMBOLI

SYMBOL OSTRZEGAWCZY: Oznacza NIEBEZPIECZEŃSTWO, OSTRZEŻENIE lub PRZESTROGĘ. Może być używany razem z innymi symbolami lub piktogramami.



⚠ OSTRZEŻENIE: Praca elektronarzędziami może spowodować wyrzucenie ciał obcych w oczy użytkownika, co może doprowadzić do poważnych urazów oczu. Przed rozpoczęciem pracy elektronarzędziem należy zawsze założyć gogle ochronne lub okulary z osłonami bocznymi, a w stosownych przypadkach także pełną




osłonę na twarz. Zalecamy nakładanie na zwykłe okulary maski zabezpieczającej o szerokim polu widzenia lub stosowanie standardowych okularów zabezpieczających z osłonami bocznymi.

INSTRUKCJE DOTYCZĄCE BEZPIECZEŃSTWA

Na tej stronie pokazano i opisano symbole bezpieczeństwa, które mogą występować na produkcie. Przed podjęciem próby złożenia i użycia urządzenia należy przeczytać i zrozumieć wszystkie instrukcje dotyczące urządzenia oraz zastosować się do nich.

	Ostrzeżenie dotyczące bezpieczeństwa	Środki ostrożności istotne dla bezpieczeństwa użytkownika.
	Przeczytaj instrukcję operatora	Aby zmniejszyć ryzyko urazów, użytkownik musi przeczytać i zrozumieć instrukcję przed rozpoczęciem korzystania z produktu.
	Noś okulary ochronne	Podczas używania produktu należy zawsze nosić gogle ochronne lub okulary ochronne z osłonami bocznymi, a także pełną osłonę na twarz.
	Noś ochronniki słuchu	Podczas pracy urządzeniem należy zawsze nosić ochronniki słuchu.
	Średnica żyłki	Średnica żyłki nylonowej
	Szerokość koszenia	Maks. szerokość koszenia podkaszarki
	Chroń przed deszczem	Nie używać w deszczu i nie zostawiać na dworze podczas deszczu.
	Konstrukcja klasy II	Konstrukcja z podwójną izolacją.
	Osoby посторонne trzymaj z daleka	Należy zawsze pilnować, aby inni ludzie i zwierzęta domowe pozostawali w odległości co najmniej 15m od pracującej podkaszarki.

PL

	Osoby postronne trzymaj z daleka	Należy zawsze pilnować, aby inni ludzie i zwierzęta domowe pozostawali w odległości co najmniej 15m od pracującej podkaszarki.
V	Wolt	Napięcie
A	Ampery	Prąd
Hz	Herc	Częstotliwość (cykli na sekundę)
W	Wat	Moc
min	Minuty	Czas
	Prąd zmienny	Rodzaj prądu
	Prąd stały	Rodzaj lub charakterystyka prądu
n_0	Prędkość bez obciążenia	Prędkość obrotowa bez obciążenia
... /min	Na minutę	Obroty na minutę

- Nigdy nie należy pozwalać używać urządzenia osobom nieobeznanim z niniejszą instrukcją lub dzieciom. Przepisy lokalne mogą nakładać ograniczenia dotyczące wieku operatora.
- Należy pamiętać, że operator lub użytkownik ponosi odpowiedzialność za wypadki lub zagrożenia dotyczące osób trzecich lub ich własności.

PRZYGOTOWANIE

- Nigdy nie należy używać urządzenia, gdy w pobliżu znajdują się ludzie (zwłaszcza dzieci) lub zwierzęta domowe.
- W czasie używania urządzenia należy nosić okulary i solidne buty.

UŻYTKOWANIE

- Urządzenia należy używać tylko przy świetle dziennym lub przy dobrym oświetleniu sztucznym.
- Urządzenia nie należy nigdy używać z uszkodzonymi osłonami lub bez założonych osłon.
- Silnik wolno włączyć dopiero wtedy, gdy ręce i stopy znajdują się z dala od urządzenia tnącego.
- W następujących sytuacjach urządzenie należy zawsze odłączyć od zasilania (tj. wyjąć wtyczkę z gniazdka lub wyjąć starter):
 - za każdym razem, gdy urządzenie zostaje pozostawione bez nadzoru;
 - przed odblokowaniem zablokowanego mechanizmu;
 - przed kontrolą, czyszczeniem lub wykonywaniem prac przy urządzeniu;
 - po uderzeniu w dowolny przedmiot;
 - za każdym razem, gdy urządzenie wpada w nietypowe wibracje.
- Należy uważać na ryzyko skaleczenia stóp i rąk elementem tnącym.
- Otwory wentylacyjne muszą być zawsze drożne.

KONSERWACJA I PRZECHOWYWANIE

- Przed przystąpieniem do czyszczenia lub prac konserwacyjnych urządzenie należy zawsze odłączyć od zasilania (tj. wyjąć wtyczkę z gniazdka lub wyjąć starter).
- Należy używać wyłącznie części zamiennych i akcesoriów zalecanych przez producenta.
- Urządzenie należy regularnie kontrolować i konserwować. Naprawy urządzenia powinien wykonywać wyłącznie serwisant z odpowiednimi uprawnieniami.
- Gdy urządzenie nie jest używane, należy je przechowywać w miejscu niedostępnym dla dzieci.

WAŻNE INSTRUKCJE DOTYCZĄCE BEZPIECZEŃSTWA

PL

⚠ OSTRZEŻENIE: Podczas używania podkaszarek elektrycznych, aby zmniejszyć ryzyko pożaru, porażenia prądem i obrażeń, należy zawsze przestrzegać podstawowych zasad bezpieczeństwa, w tym m.in. zaleceń podanych poniżej.

PRZECZYTAJ UWAGNIE PRZED UŻYCIEM

ZACHOWAJ NA PRZYSZŁOŚĆ

⚠ NIEBEZPIECZEŃSTWO: W odniesieniu do ochrony przed porażeniem prądem nie należy polegać tylko i wyłącznie na izolacji narzędzia. Aby ograniczyć ryzyko porażenia prądem, nigdy nie należy używać narzędzia w pobliżu jakichkolwiek przewodów lub kabli (zasilanie, itp.), które mogą być pod napięciem.

⚠ OSTROŻNIE: Podczas użytkowania należy nosić odpowiednie indywidualne środki ochrony słuchu. W niektórych sytuacjach i przy długotrwałym użytkowaniu hałas generowany przez narzędzie może przyczynić się do utraty słuchu.

SZKOLENIE

- Prosimy uważnie przeczytać instrukcję. Należy zapoznać się z elementami sterującymi i metodami poprawnej obsługi urządzenia.

INNE OSTRZEŻENIA DOTYCZĄCE BEZPIECZEŃSTWA

- Należy unikać pracy w niebezpiecznych warunkach – Nie używać podkaszarek w miejscach mokrych i zawilgoconych.
- Gdy podkaszarka zostaje pozostawiona bez nadzoru, należy ją zawsze wyłączać i wyjmować z niej akumulator.
- Nie używać w czasie deszczu.
- Należy pracować z dala od dzieci – Wszystkie osoby postronne muszą znajdować się poza strefą pracy.
- Należy dbać o właściwy ubiór – Nie nosić luźnych ubrań ani biżuterii. Mogłyby one zahaczyć o poruszające się części. Do pracy na dworze zaleca się zakładanie gumowych rękawic i solidnego obuwia. Aby zabezpieczyć długie włosy, należy nosić okrycie głowy.
- Należy nosić okulary ochronne – W przypadku pracy powodującej pylenie należy zawsze nosić maskę przeciwpyłową lub maskę na twarz.
- Należy używać właściwego narzędzia – Nie używać narzędzia do celów, do których nie jest ono przeznaczone.
- Podkaszarki nie wolno forsować – Narzędzie pracujące z prędkością, do której zostało zaprojektowane, wykona pracę lepiej i z mniejszym ryzykiem obrażeń.
- Nie należy sięgać za daleko – Zawsze należy dbać o utrzymanie równowagi i pewne podparcie nóg.
- Należy być czujnym – Należy patrzeć, co się robi i kierować się zdrowym rozsądkiem. Nie używać podkaszarki, kiedy jest się zmęczonym.
- Nie używać podkaszarki, gdy jest się pod wpływem alkoholu lub narkotyków.
- Osłony zabezpieczające muszą być zawsze założone i sprawne.
- Podkaszarkę należy przechowywać w zamkniętym pomieszczeniu – Na czas, gdy podkaszarka nie jest używana, należy ją przechowywać w suchym pomieszczeniu, pod zamknięciem lub na wysokości półce, z wyjętym akumulatorem – w miejscu niedostępnym dla dzieci.
- O podkaszarkę należy starannie dbać – Aby uzyskać maksymalną wydajność i zapobiec ryzyku powstania urazów, element tnący musi być czysty. Należy przestrzegać instrukcji dotyczących wymiany akcesoriów. Należy dbać o to, aby uchwyty były suche, czyste i niezaplamiłone olejem lub smarem.
- Uszkodzone części należy skontrolować – Przed ponownym użyciem uszkodzonej podkaszarki, osłony lub części, należy dokładnie sprawdzić, czy narzędzie lub element będą działały właściwie i zgodnie z przeznaczeniem. Należy kontrolować, czy części ruchome są dobrze do siebie dopasowane, czy swobodnie się poruszają, czy nie są pęknięte lub uszkodzone i czy są właściwie zamontowane. Należy też kontrolować wszystkie inne czynniki, które mogłyby wpływać na ich działanie. O ile w instrukcji nie zastrzeżono inaczej, uszkodzona osłona lub inna część musi zostać odpowiednio naprawiona lub wymieniona przez autoryzowane centrum serwisowe.
- Przed każdym użyciem narzędzia należy uprzątnąć teren pracy. Należy usunąć wszystkie przedmioty takie jak kamienie, pośluzzone szkło, gwoździe, kawałki drutu lub sznurka itp., które mogą zostać wyrzucone w powietrze lub mogą zaplątać się w końcówkę tnącą. Osoby postronne i zwierzęta domowe muszą znajdować się w odległości co najmniej 15m.
- Przed rozpoczęciem pracy urządzeniem oraz po każdym uderzeniu w przeszkodę, urządzenie należy sprawdzić pod kątem oznak uszkodzeń, a w razie potrzeby naprawić.
- W czasie pracy podkaszarkę należy zawsze mocno trzymać oburącz. Palce i kciuki należy zaciskać na uchwytach.
- Należy unikać przypadkowego włączenia – Nie należy nosić narzędzia z palcem na przełączniku włącz./wyl.
- Nie należy używać podkaszarki w strefach zagrożenia wybuchem lub w miejscach, w których występują opary benzyny. Silniki w tego typu urządzeniach zazwyczaj generują iskry, od których mogą się zapalić opary.
- Przed wyłączeniem maszyny (lub wyjęciem z niej akumulatora) i całkowitym zatrzymaniem się niebezpiecznych części nie należy dotykać poruszających się niebezpiecznych części.
- Uszkodzenie podkaszarki – Jeśli urządzenie uderzy w jakąś przeszkodę lub żyłka podkaszarki zaplączę się w coś, należy natychmiast wyłączyć narzędzie, wyjąć z niego akumulator, sprawdzić, czy nie ma uszkodzeń, a jeśli są, wówczas naprawić je przed podjęciem próby dalszego użytkowania. Nie należy używać urządzenia z uszkodzoną osłoną lub szpulą.
- Jeśli urządzenie zacznie nienormalnie wibrować, należy wyłączyć silnik, wyjąć akumulator z podkaszarki i natychmiast sprawdzić, co jest przyczyną. Wibracje są na ogół sygnałem ostrzegającym o problemach. Poluzowana głowica może wibrować, pęknać, rozlecieć się lub odpaść z podkaszarki, co może doprowadzić do poważnych lub śmiertelnych obrażeń. Należy upewnić się, że końcówka tnąca jest poprawnie zamocowana. Jeżeli po zamocowaniu głowica tnąca obluźuje się, należy ją natychmiast wymienić. Nigdy nie należy używać podkaszarki z poluzowaną głowicą tnącą.

- Pękniętą, uszkodzoną i zużytą głowicę tnącą należy natychmiast wymienić, nawet jeśli uszkodzenie polega tylko na spękaniu powierzchni elementu. Tego typu końcówki mogą rozpaść się przy dużej prędkości i spowodować poważne obrażenia lub śmierć.
- W czasie użytkowania końcówkę tnącą należy sprawdzać w regularnych odstępach czasu. W przypadku zauważalnej zmiany w sposobie koszenia kontrolę należy przeprowadzić natychmiast.
- Do używania w tym narzędziu przeznaczone są wyłącznie polimerowe żyłki do podkaszarek i akcesoria (Ø2,0 mm) EGO™. Chociaż niektóre akcesoria innych producentów da się zamontować w podkaszarce EGO™, to jednak ich używanie może być bardzo niebezpieczne i/lub może doprowadzić do uszkodzenia narzędzia.
- Aby ograniczyć ryzyko ciężkich urazów ciała, nigdy nie należy używać w miejsce żyłek nylonowych żyłek wzmocnionych metalem lub drutem lub innymi materiałami. Kawałki drutu mogą odpaść i zostać wyrzucone z dużą prędkością w stronę operatora lub osób postronnych.
- Aby ograniczyć ryzyko urazów spowodowanych utratą kontroli, nigdy nie należy pracować na drabinie lub innych niebezpiecznych podporach. Końcówki tnące nie wolno nigdy trzymać powyżej pasa.
- W sytuacjach, które nie zostały przewidziane w niniejszej instrukcji należy zachować ostrożność i kierować się własnym zdrowym rozsądkiem. W celu uzyskania pomocy prosimy skontaktować się z centrum serwisowym EGO.
- Akumulatora nie należy ładować na deszczu i miejscach wilgotnych.
- W urządzeniu należy używać wyłącznie ładowarek i akumulatorów wymienionych poniżej:

AKUMULATOR	ŁADOWARKA
BA1120E, BA2240E, BA2800, BA3360, BA4200	CH5500E, CH2100E

- Przed użyciem akumulator należy wyjąć z urządzenia.
- Akumulator należy zutilizować w sposób bezpieczny.
- Akumulatorów nie należy wrzucać do ognia. Ognia mogą wybuchnąć. Należy zapoznać się z przepisami lokalnymi pod kątem ewentualnych instrukcji w sprawie ich utylizacji.
- Akumulatora nie należy otwierać ani uszkadzać. Uwolniony elektrolit jest żrący i może uszkodzić oczy i skórę. W przypadku połknięcia może być toksyczny.
- Z akumulatorami należy obchodzić się ostrożnie. Należy uważać, aby nie zerwać wyprowadzeń materiałami przewodzącymi takimi jak pierścionki, bransoletki i klucze. Akumulator lub przewodnik mogą się przegrzać i spowodować oparzenia.

- Podczas serwisowania należy używać wyłącznie części zamiennych EGO™ identycznych z oryginalnymi. Użycie jakichkolwiek innych akcesoriów lub elementów dodatkowych zwiększa ryzyko urazów.
- Narzędzia akumulatorowe nie wymagają podłączenia do kontaktu elektrycznego i dlatego są zawsze gotowe do pracy. Należy więc mieć świadomość możliwych zagrożeń, występujących nawet wtedy, gdy narzędzie nie jest używane. Podczas wykonywania czynności konserwacyjnych lub serwisowych należy zachować ostrożność.
- Nie należy czyścić urządzenia węžem; należy unikać zachlapywania wodą silnika i połączeń elektrycznych.
- Prosimy zachować instrukcję. Zachęcamy do częstego korzystania z niej. Instrukcja może też posłużyć do przeszkolenia innych osób, które będą używały narzędzia. Jeśli narzędzie zostanie komuś pożyczone, osobie tej należy również udostępnić niniejszą instrukcję, aby zapobiec niewłaściwemu użytkowaniu i możliwym urazom.
- W czasie używania maszyny należy nosić solidne obuwie i długie spodnie.
- Na pochyłościach należy zawsze dbać o zachowanie równowagi; należy chodzić, a nie biegać.

INSTRUKCJI NIE NALEŻY WYRZUCAĆ

SPECYFIKACJA

Napięcie	56 V ---	
Prędkość bez obciążenia	7000 /min	
Mechanizm tnący	Głowica-uderzak	
Typ żyłki do koszenia	Okrągła żyłka nylonowa AL0800 Ø2,0 mm	
Szerokość koszenia	30 cm	
Waga (bez akumulatora)	2,85 kg	
Zmierzony poziom mocy akustycznej L_{WA}	90,76 dB(A) K= 2,5 dB(A)	
Maksymalna poziom ciśnienia akustycznego przy uchu operatora L_{PA}	75,0 dB(A) K= 2,5 dB(A)	
Gwarantowany poziom mocy akustycznej L_{WA} (zmierzony zgodnie z dyrektywą 2000/14/WE)	91 dB(A)	
Drgania a_h	Przedni uchwyt pomocniczy	3,279 m/s ² , K= 1,5 m/s ²
	Uchwyt tylny	4,915 m/s ² , K= 1,5 m/s ²

- Deklarowana całkowita wartość drgań została zmierzona zgodnie ze standardowymi metodami testowania i może służyć do porównywania różnych narzędzi.
- Deklarowana całkowita wartość drgań może również służyć do wstępnej oceny narażenia na drgania.

UWAGA: W zależności od sposobu eksploatacji, emisja wibracji podczas faktycznego użytkowania elektronarzędzia może się różnić od wartości deklarowanej. Aby chronić operatora, w rzeczywistych warunkach użytkowania użytkownik powinien nosić rękawice i nauszki ochronne.

LISTA ELEMENTÓW W OPAKOWANIU

NAZWA CZĘŚCI	ILOŚĆ
Trymer do żyłki	1
Oslona	1
Przedni uchwyt pomocniczy – zestaw	1
Klucz imbusowy	1
Instrukcja operatora	1

OPIS

ZAPOZNANIE SIĘ Z PODKASZARKĄ (Rys. A)

1. Przycisk spustowy
2. Uchwyt tylny
3. Dźwignia odblokowująca
4. Miękka tuleja
5. Regulowany przedni uchwyt pomocniczy
6. Trzonek
7. Oslona przeciuderzeniowa
8. Uderzak
9. Głowica-uderzak (głowica tnąca)
10. Oslona
11. Ostrze d cięcia żyłki
12. Mechanizm odłączania
13. Styki elektryczne
14. Zatrzask
15. Przycisk wyjmowania akumulatora

MONTAŻ

⚠ OSTRZEŻENIE: W przypadku braku lub uszkodzenia którejś z części nie należy uruchamiać urządzenia aż do momentu wymiany lub naprawy części. Używanie urządzenia z uszkodzonymi lub brakującymi częściami może doprowadzić do poważnych urazów ciała.

⚠ OSTRZEŻENIE: Nie należy próbować przerabiać urządzenia lub tworzyć akcesoriów, które nie są zalecane do używania w podkaszarce. Wszelkie tego typu zmiany lub modyfikacje są niedozwolone i mogą prowadzić do niebezpiecznych sytuacji oraz poważnych urazów ciała.

⚠ OSTRZEŻENIE: Aby zapobiec przypadkowemu włączeniu, które mogłoby spowodować urazy ciała, na czas mocowania części z narzędzia należy zawsze wyjmować akumulator.

MONTAŻ OSŁONY (Rys. B i C i D)

⚠ OSTRZEŻENIE: Podczas zakładania lub wymieniaania osłony należy zawsze mieć założone rękawice. Należy uważać na ostre na osłonie – ryzyko skaleczenia dłoni.

⚠ OSTRZEŻENIE: Nigdy nie należy włączać narzędzia bez mocno założonej osłony. Oslona musi być zawsze założona na narzędzie, aby chronić użytkownika! Jeśli osłona jest założona, nie należy nigdy próbować jej zdejmować lub regulować. Jeśli potrzebna jest wymiana, powinien ją przeprowadzić wykwalifikowany technik!

Podkaszarkę należy umieścić głowicą do góry i odkręcić i wyjąć dwie śruby. Następnie należy dopasować żebra prowadzące do szczeliny w obudowie, wcisnąć osłonę na miejsce i zablokować dwiema śrubami. Należy upewnić się, że powierzchnia wewnętrzna osłony jest skierowana w stronę głowicy podkaszarki.

MOCOWANIE I REGULACJA PRZEDNIEGO UCHWYTU POMOCNICZEGO

Wcisnąć przedni uchwyt pomocniczy na trzonek (Rys. F), następnie włożyć blok zaciskowy do szczeliny uchwytu (Rys. G), zamocować trzonek blokujący, zablokować nakrętką motylkową (Rys. H). Kolejność jest taka jak pokazano na Rys. E. Na koniec wyregulować położenie ramienia przedniego w taki sposób, aby podczas pracy mieć wyprostowane ramię (Rys. I). Zablokować dźwignię blokującą trzonek (Rys. J).

Rys. E i I opis części patrz poniżej:

E-1	Przedni uchwyt pomocniczy	E-4	Nakrętka motylkowa
E-2	Drażek blokujący	I-1	Miękka tuleja
E-3	Blok zaciskowy	I-2	Etykieta ostrzegająca

UWAGA: Przedni uchwyt pomocniczy należy zawsze skierować do góry w stronę górnej części uchwytu.

⚠ OSTRZEŻENIE: Przedni uchwyt pomocniczy należy zamocować przed miękką tuleją na trzonku.

⚠ OSTRZEŻENIE: Narzędzia nie można używać bez przedniego uchwytu pomocniczego.

UŻYTKOWANIE

⚠ OSTRZEŻENIE: Nie wolno dopuść do tego, aby znajomość narzędzia doprowadziła do nieuwagi. Należy pamiętać, że do spowodowania poważnych obrażeń wystarczy zaledwie chwila nieuwagi.

⚠ OSTRZEŻENIE: Należy zawsze nosić okulary ochronne z osłonami bocznymi. Ponadto należy też nosić nauszniki ochronne. Nieprzestrzeżenie tego zalecenia może doprowadzić do poważnych obrażeń oczu odłamkiem lub skrawkiem materiału wyrzuconym przez pracujące narzędzie, a także grozi innymi możliwymi urazami.

⚠ OSTRZEŻENIE: Nie należy używać kołców lub akcesoriów innych niż zalecane przez producenta produktu. Używanie przystawek lub akcesoriów innych niż zalecane może doprowadzić do poważnych obrażeń.

⚠ OSTRZEŻENIE: Podkaszarki wyposażonej w odpowiednią żyłkę tnącą należy używać wyłącznie do koszenia trawy i podobnych materiałów.

⚠ OSTRZEŻENIE: Aby zapobiec przypadkowemu włączeniu, które mogłoby spowodować ciężkie urazy, z narzędzia należy zawsze wyjmować akumulator na czas mocowania części, regulacji, czyszczenia lub gdy narzędzie nie jest używane.

Urządzenia można używać wyłącznie do celów podanych poniżej:

Wycinanie: usuwanie trawy i chwastów przy ścianach, płotach, drzewach i na brzegach.

Koszenie: koszenie trawy w miejscach trudno dostępnych dla zwykłej kosiarki.

UWAGA: Narzędzia należy używać tylko do celów zgodnych z przeznaczeniem. Wszelkie inne zastosowania, np. przycinanie krawędzi, uznaje się za niezgodne z przeznaczeniem.

ZAKŁADANIE/WYJMOWANIE AKUMULATORA

Naładować przed pierwszym użyciem.

Zakładanie (Rys. K)

Należy wyrównać żeberka akumulatora względem szczelin mocujących i wsunąć akumulator do ładowarki aż da się słyszeć kliknięcie.

Wyjmowanie (Rys. L)

⚠ OSTRZEŻENIE: W momencie naciskania przycisku wyjmowania akumulatora należy zawsze uważać na swoje stopy, dzieci i zwierzęta domowe wokół siebie. Upuszczenie akumulatora może doprowadzić do poważnych urazów. NIGDY nie należy wyjmować akumulatora na znacznej wysokości.

Należy wcisnąć przycisk wyjmowania akumulatora i wysunąć akumulator.

TRZYMANIE PODKASZARKI

⚠ OSTRZEŻENIE: Aby ograniczyć ryzyko obrażeń, podczas pracy narzędziem należy nosić odpowiednią odzież. Nie należy nosić luźnych ubrań ani biżuterii. Należy nosić środki ochrony oczu i ochronniki słuchu. Należy nosić ciężkie spodnie, solidne buty i rękawice. Nie należy nosić krótkich spodni i sandałów, nie należy też używać narzędzia na bosą.

Przed włączeniem podkaszarkę należy trzymać oburącz, jedną ręką za uchwyt tylny, a drugą ręką (wyprostowaną) za pomocniczy uchwyt przedni (Rys. M). Następnie należy sprawdzić stabilność podłoża. Użytkownik powinien stać w odpowiedniej odległości od przycinanego żywopłotu.

WŁĄCZANIE/WYŁĄCZANIE PODKASZARKI (Rys. N)

Włączanie

Należy wcisnąć i przytrzymać dźwignię odblokowującą. Nacisnąć przycisk spustowy, aby włączyć podkaszarkę.

Wyłączanie

Wystarczy puścić dźwignię odblokowującą i przycisk spustowy.

⚠ OSTRZEŻENIE: W czasie przerw w pracy i po zakończeniu pracy należy zawsze wyjmować akumulator z podkaszarki.

UŻYWANIE PODKASZARKI

⚠ OSTRZEŻENIE: Aby uniknąć poważnych obrażeń ciała, podczas używania narzędzia należy zawsze nosić gogle lub okulary ochronne. Podczas pracy przy silnym zapyleniu należy nosić osłonę na twarz lub maskę przeciwpylową.

Przed każdym użyciem narzędzia należy uprzątnąć teren pracy. Usunąć wszystkie przedmioty takie jak kamienie, potłuczone szkło, gwoździe, kawałki drutu lub sznurka itp., które mogą zostać wyrzucone w powietrze lub mogą zaplać się w końcówkę tnącą. Z terenu, który ma zostać skoszony wyprosić dzieci i osoby postronne oraz wygonić zwierzęta. Jako minimum dzieci i osoby postronne oraz zwierzęta muszą znajdować się w odległości 15m, jednak taka odległość nadal nie eliminuje całkowicie ryzyka trafienia wyrzucenymi w powietrze przedmiotami. Osoby postronne należy zachęcać do noszenia okularów ochronnych. Jeśli do użytkownika zbliży się jakaś osoba, należy natychmiast wyłączyć silnik i zatrzymać narzędzie tnące.

Przed każdym użyciem należy sprawdzić, czy jakiegó części nie są uszkodzone lub zużyte

Należy skontrolować głowicę-uderzak, osłonę i przedni uchwyt pomocniczy oraz wymienić części pęknięte, wypaczone, skrzywione lub uszkodzone w jakikółwiek sposób.

Ostrze do żyłki tnącej na krawędzi osłony może się z czasem stępić. Zaleca się je okresowo ostrzyć pilnikiem lub wymienić na nowe.

⚠ OSTRZEŻENIE: Na czas mocowania osłony lub ostrzenia/wymieniania ostrza należy zawsze zakładać rękawice. Należy uważać na ostrze na osłonie – ryzyko skaleczenia dłoni.

Po każdym użyciu należy wyczyścić podkaszarkę.

- Do czyszczenia narzędzia należy używać wyłączenie łagodnego mydła i wilgotnej ściereczki. Do środka urządzenia nie mogą się dostać żadne płyny, nie wolno też zanurzać części urządzenia w jakikółwiek cieczy.
- Otworki wentylacyjne w obudowie silnika i trzonek nie mogą być nigdy zabrudzone (Rys. O).

Rys. O opis części patrz poniżej:

O-1	Otworki wentylacyjne w trzonku
O-2	Otworki wentylacyjne w obudowie silnika

⚠ OSTROŻNIE: Zanieczyszczenia w otworach wentylacyjnych uniemożliwiają dopływ powietrza do obudowy silnika i w efekcie prowadzą do przegrzania się i uszkodzenia silnika.

⚠ OSTRZEŻENIE: Do czyszczenia nożyc nigdy nie należy używać wody. Podczas czyszczenia części plastikowych należy unikać używania rozpuszczalników. Pod wpływem działania różnego rodzaju dostępnych w handlu rozpuszczalników większość tworzyw sztucznych ulega uszkodzeniu. Do usuwania zabrudzeń, kurzu, oleju, smaru itp. należy używać czystych ściereczek.

REGULACJA DŁUGOŚCI ŻYŁKI TNĄCEJ

Głowica-uderzak pozwala operatorowi wysuwać więcej żyłki bez wyłączenia silnika. Żyłka strzępi się i zużywa, dodatkową żyłkę można wysunąć lekko uderzając głowicą w ziemię w czasie, gdy podkaszarka pracuje (Rys. P).

Najlepsze efekty daje uderzanie głowicą na gołej ziemi lub innym twardym podłożu. W przypadku próby wysunięcia żyłki w wysokiej trawie może dojść do przegrzania się silnika. Żyłka musi być cały czas całkowicie wysunięta. Im krótsza żyłka, tym trudniejsze staje się jej wysuwanie.

⚠ OSTRZEŻENIE: Nie należy demontować lub przerabiać ostrza do żyłki. Zbyt długa żyłka prowadzi do przegrzewania się silnika i może spowodować poważne urazy ciała.

PRACA Z OSŁONĄ PRZECIWUDERZENIOWĄ

Oslona przeciwuderzeniowa ogranicza zasięg cięcia żyłki i zmniejsza ryzyko uszkodzeń spowodowanych kręcącą się żyłką (Rys. Q).

Aby używać osłony przeciwuderzeniowej, należy ją przekręcić w dół z pozycji spoczynkowej (Rys. R).

⚠ OSTRZEŻENIE: Po wyłączeniu podkaszarki głowica-uderzak może się nadal przez chwilę kręcić. Przed regulacją osłony przeciwuderzeniowej należy odczekać aż głowica-uderzak całkowicie się zatrzyma. Nie należy regulować elementów noży.

WYMIANA ŻYŁKI

UWAGA: Należy zawsze używać standardowej nylonowej żyłki tnącej o średnicy nie większej niż $\varnothing 2,0$ mm.

⚠ OSTRZEŻENIE: Nigdy nie należy używać żyłek wzmocnionych metalem, drutów, sznurków itp. Mogą się one ułamać i zmienić w niebezpieczne pociski.

Żyłkę tnącą można wymienić na dwa sposoby:

- Nawinąć na szpulę nową żyłkę.
- Założyć szpulę z żyłką nawiniętą fabrycznie (AS1301, w razie potrzeby, dostępna u dystrybutora).

Nawijanie na szpulę nowej żyłki

Wcisnąć dwa wypustki odblokowujące w podstawie szpuli i wysunąć osłonę mocującą szpuli na zewnątrz (Rys. S). Przygotować około 7m nowej żyłki tnącej. Nawinąć ją na szpulę tak jak pokazano na Rys. T i U. Następnie przełożyć końce żyłki przez dwa naprzeciwległe nacięcia w szpuli (Rys. V) i założyć szpulę z powrotem w jej osłonie mocującej z nacięciami ustawionymi równo z otworami w osłonie (Fig. W). Na koniec, wyrównać szczeliny w osłonie mocującej z wypustkami na podstawie szpuli i równo wcisnąć osłonę mocującą w dół, tak aby zatrzasknęła się w obudowie (Rys. X).

UWAGA: Przed zamontowaniem w głowicy podkaszarki osłonę mocującą szpuli, szpulę i podstawę szpuli należy najpierw zawsze wyczyścić. Osłonę mocującą szpuli, szpulę i podstawę szpuli należy skontrolować pod kątem zużycia. W razie potrzeby zużyte części należy wymienić.

UWAGA: Nawinięcie żyłki w niewłaściwą stronę spowoduje, że głowica podkaszarki będzie działała nieprawidłowo.

Instalowanie szpuli z żyłką nawiniętą fabrycznie

Wcisnąć dwa wypustki odblokowujące w podstawie szpuli i wysunąć osłonę mocującą szpuli na zewnątrz (Rys. S). Następnie założyć szpulę z żyłką nawiniętą fabrycznie do osłony mocującej szpuli z wypustkami ustawionymi równo z otworami w osłonie (Rys. W). Na koniec, wyrównać szczeliny w osłonie mocującej z wypustkami na podstawie szpuli i równo wcisnąć osłonę mocującą w dół, tak aby zatrzasnęła się w obudowie (Rys. X).

Rys. W i X opis części patrz poniżej:

W-1	Karb	X-1	Wypustek
W-2	Otwór	X-2	Szczelina

UWAGA: Należy upewnić się, że wypustki na podstawie szpuli zaskoczyły na miejsce, inaczej szpula odcepi się w czasie pracy.

CZYSZCZENIE URZĄDZENIA

- Wyrób należy oczyścić wilgotną ściereczką i łagodnym detergentem.
- Do czyszczenia części plastikowych lub uchwytu nie należy używać jakichkolwiek silnych detergentów. Mogą one zostać uszkodzone przez niektóre olejki aromatyczne, takie jak olejek sosnowy i cytrynowy oraz przez rozpuszczalniki takie jak nafta. Wilgoć może także spowodować porażenie prądem. Wszelką wilgoć należy wycierać miękką suchą ściereczką.
- Do czyszczenia otworów wentylacyjnych i usuwania zanieczyszczeń z tylnej części obudowy należy używać małej szczoteczki lub małego odkurzacza.

PRZECHOWYWANIE URZĄDZENIA

- Gdy podkaszarka nie będzie używana, należy wyjąć z niej akumulator.
- Przed schowaniem narzędzie należy dokładnie wyczyścić.
- Urządzenie należy przechowywać w suchym i dobrze wentylowanym miejscu niedostępnym dla dzieci: albo pod kluczem, albo wystarczająco wysoko. Urządzenia nie należy używać na nawozach lub w ich pobliżu, to samo dotyczy podłoży zanieczyszczonego benzyną i substancjami chemicznymi.

KONSERWACJA

⚠ OSTRZEŻENIE: Podczas serwisowania należy używać wyłącznie części zamiennych identycznych z oryginalnymi. Maszynę należy regularnie kontrolować i konserwować. Aby zagwarantować bezpieczeństwo i niezawodność, wszystkie naprawy powinny być wykonywane przez wykwalifikowanych techników serwisu.

⚠ OSTRZEŻENIE: Narzędzia akumulatorowe nie wymagają podłączenia do kontaktu elektrycznego i dlatego są zawsze gotowe do pracy. Aby zapobiec poważnym urazom ciała, podczas wykonywania czynności konserwacyjnych, w czasie serwisowania lub wymiany końcówek tnących lub innych należy stosować dodatkowe środki ostrożności.

⚠ OSTRZEŻENIE: Aby uniknąć poważnych obrażeń ciała, przed serwisowaniem, czyszczeniem, wymianą osprzętu dodatkowego i należy zawsze wyjmować z narzędzia akumulator.

Ochrona środowiska



Urządzeń elektrycznych, ładowarki do akumulatorów oraz akumulatorów/baterii akumulatorowych nie należy wyrzucać do zwykłych zmieszanych śmieci domowych!

Zgodnie z dyrektywami Wspólnoty Europejskiej, odpowiednio nr 2012/19/WE i 2006/66/WE, urządzenia elektryczne i elektroniczne nienadające się dłużej do użycia oraz uszkodzone lub zużyte akumulatory/baterie trzeba zbierać oddzielnie.

Wyrzucanie urządzeń elektrycznych na wysypisko grozi wyciekami niebezpiecznych substancji do wód gruntowych i przedostaniem się ich do łańcucha pokarmowego, ze szkodą dla zdrowia i jakości życia użytkownika.

DEKLARACJA ZGODNOŚCI WE

Producent, EGO EUROPE GMBH

Wahlwiesenstrasse 1, D-71711 Steinheim an der Murr
Deutschland

Oświadca, że produkt **podkaszarka bezprzewodowa z baterią litowo-jonową 56V ST1210E** spełnia istotne wymagania BHP oraz wymogi wprowadzone następującymi dyrektywami:

2006/42/WE, 2014/30/UE, 2011/65/UE, 2000/14/WE

Normy i specyfikacje techniczne, do których występują odwołania:

EN 60335-1, EN 50636-2-91, EN 55014-1, EN 55014-2

Zmierzony poziom mocy akustycznej: 90,76 dB(A).

Gwarantowany poziom mocy akustycznej: 91 dB(A).

Procedurę oceny zgodności z Załącznika VI przeprowadzono zgodnie z dyrektywą 2000/14/WE.

Powiadomiony organ: Société Nationale de Certification et d'Homologation

Numer powiadomionego organu: 0499

Peter Melrose
Dyrektor zarządzający
EGO Europe GmbH

Dong Jianxun
Dyrektor ds Jakości w Chevron

PL

* (upoważniony przedstawiciel CHEVRON i kierownik ds. technicznych)

01/09/2016

ROZWIĄZYWANIE PROBLEMÓW

PROBLEM	PRZYCZYNA	ROZWIĄZANIE
Podkaszarka nie włącza się.	<ul style="list-style-type: none"> ■ Do podkaszarki nie włożono akumulatora. ■ Podkaszarka i akumulator nie kontaktują. ■ Akumulator jest rozładowany. ■ Dźwignia odblokowująca i przełącznik spustowy nie zostały wciśnięte jednocześnie. 	<ul style="list-style-type: none"> ■ Włożyć akumulator do podkaszarki. ■ Wyjąć akumulator, sprawdzić styki i założyć akumulator z powrotem. ■ Naładować akumulator. ■ Aby włączyć podkaszarkę, należy wcisnąć i przytrzymać dźwignię odblokowującą, a następnie nacisnąć przełącznik spustowy.
Podkaszarka wyłącza się podczas koszenia.	<ul style="list-style-type: none"> ■ Na podkaszarce nie ma zamontowanej osłony, przez co żyłka jest za długa i dochodzi do przeciążenia silnika. ■ Używana jest ciężka żyłka. ■ Walek silnika lub głowica podkaszarki są zapchane trawą. ■ Silnik jest przeciążony. ■ Akumulator lub podkaszarka jest zbyt gorący/-a. ■ Akumulator jest odłączony od narzędzia. ■ Akumulator jest rozładowany. 	<ul style="list-style-type: none"> ■ Wyjąć akumulator i zamocować osłonę w podkaszarce. ■ Używać wyłącznie żyłki nylonowej o średnicy 2,0 mm lub cieńszej. ■ Zatrzymać podkaszarkę, wyjąć akumulator i usunąć trawę z wałka silnika i głowicy podkaszarki. ■ Wyjąć głowicę podkaszarki z trawy. Gdy tyłko obciążenie zostanie usunięte, silnik wznowi pracę. Podczas koszenia przesuwaj głowicę podkaszarki w koszoną trawę i wysuwaj ją z niej, nie więcej niż o 20 cm długości w jednym cięciu. ■ Pozwolić, aby akumulator lub podkaszarka ostygły do temperatury poniżej 67°C. ■ Ponownie założyć akumulator. ■ Naładować akumulator.
Głowica podkaszarki nie wysuwa żyłki.	<ul style="list-style-type: none"> ■ Walek silnika lub głowica podkaszarki są zapchane trawą. ■ W szpuli jest za mało żyłki. ■ Głowica podkaszarki jest zabrudzona. ■ Żyłka zaplątała się w szpuli. ■ Żyłka jest za krótka. 	<ul style="list-style-type: none"> ■ Zatrzymać podkaszarkę, wyjąć akumulator i usunąć trawę z wałka silnika i głowicy podkaszarki. ■ Wyjąć akumulator i wymienić żyłkę tnącą; patrz część „WYMIANA ŻYŁKI” w niniejszej instrukcji. ■ Wyjąć akumulator i wyczyścić szpulę, osłonę mocującą szpulę i podstawę szpuli. ■ Wyjąć akumulator, wyjąć żyłkę ze szpuli i przewinąć; patrz część „WYMIANA ŻYŁKI” w niniejszej instrukcji. ■ Wyjąć akumulator i pociągnąć żyłki, a jednocześnie na przemian wciskać i puszczać uderzak.

PROBLEM	PRZYCZYNA	ROZWIĄZANIE
Trawa owija się wokół głowicy podkaszarki i obudowy silnika.	<ul style="list-style-type: none">■ Koszenie wysokiej trawy tuż przy ziemi.	<ul style="list-style-type: none">■ Wysoką trawę kosić od góry ku dołowi, za jednym razem skracać źdźbła nie więcej niż o 20 cm, aby nie dopuścić do owijania się trawy wokół głowicy.
Żyłka nie tnie w prawidłowy sposób.	<ul style="list-style-type: none">■ Ostrze do żyłki tnącej na krawędzi osłony stępilo się.	<ul style="list-style-type: none">■ Naostrzyć pilnikiem ostrze do przycinania żyłki tnącej lub wymienić je na nowe.

GWARANCJA

POLITYKA GWARANCYJNA EGO

W celu zapoznania się z wszystkimi warunkami polityki gwarancyjnej EGO prosimy odwiedzić stronę egopowerplus.com.

PŘEČTĚTE SI VŠECHNY POKYNY!



**PRZECZYTAJ ZE ZROZUMIENIEM
INSTRUKCJE OBSŁUGI**

⚠ Zbytkové riziko! Lidé s elektronickými přístroji, jako jsou např. kardiostimulátory, by se měli před použitím toho výrobku poradit se svým lékařem. Použití elektrického zařízení v těsné blízkosti kardiostimulátoru může způsobit narušení činnosti nebo poruchu kardiostimulátoru.

⚠ VAROVÁNÍ: Z důvodu bezpečnosti by měl všechny opravy a výměny provádět kvalifikovaný servisní technik.

BEZPEČNOSTNÍ SYMBOLY

Účelem bezpečnostních symbolů je upoutat vaši pozornost k případným nebezpečím. Bezpečnostní symboly a jejich vysvětlení vyžadují vaši zvýšenou pozornost a porozumění. Výstražné symboly samy o sobě nevyklučují žádné nebezpečí. Pokyny a varování nejsou náhradou vhodných opatření pro prevenci úrazů.

⚠ VAROVÁNÍ: Před použitím tohoto nástroje si přečtěte a seznámte se se všemi bezpečnostními pokyny v tomto návodu k obsluze včetně veškerých výstražných symbolů, jako např. „**NEBEZPEČÍ**“, „**VAROVÁNÍ**“ nebo „**UPOZORNĚNÍ**“. Nedodržení níže uvedených pokynů může mít za následek úraz elektrickým proudem, požár anebo vážná poranění osob.

CZ

VÝZNAM SYMBOLŮ

BEZPEČNOSTNÍ VÝSTRAŽNÉ SYMBOLY: Upozorňují na **NEBEZPEČÍ**, **VAROVÁNÍ**, nebo **UPOZORNĚNÍ**. Lze je používat ve spojení s jinými symboly nebo piktogramy.



⚠ UPOZORNĚNÍ: Při použití elektrického nářadí může dojít k vymrštění cizích těles do očí, což může způsobit jejich závažné poškození. Před použitím elektrického nářadí si vždy nasadte ochranné brýle, ochranné brýle s bočními kryty nebo v případě potřeby obličejový štít. Na brýle nebo standardní ochranné brýle s bočními kryty doporučujeme použít ochrannou masku.

BEZPEČNOSTNÍ POKYNY

Na této stránce jsou zobrazeny a popsány bezpečnostní symboly, které se mohou objevit na výrobku. Před montáží a provozem si přečtěte, seznámte se a dodržujte veškeré pokyny ke stroji.

	Bezpečnostní upozornění	Bezpečnostní opatření týkající se vaší bezpečnosti.
	Přečtěte si návod k obsluze	Z důvodu snížení rizika úrazu si musí uživatel před použitím tohoto výrobku přečíst a seznámit se s návodem k obsluze.
	Používejte ochranu očí	Vždy noste ochranné brýle, ochranné brýle s bočními kryty nebo obličejový štít při použití tohoto výrobku.
	Používejte chrániče sluchu	Při práci s tímto výrobkem vždy používejte chrániče sluchu.
	Průměr struny	Průměr nylonové žací struny
	Šířka sekání	Max. šířka sekání strunové sekačky
	Nevystavujte ji dešti.	Nepoužívejte ani nechte venku v dešti.
	Konstrukce třídy II	Dvojitě izolovaná konstrukce.
	Udržujte ostatní osoby v bezpečné vzdálenosti	Když strunovou sekačku používáte, udržujte od ostatních osob a domácích zvířat bezpečnou vzdálenost aspoň 15m.
	Udržujte ostatní osoby v bezpečné vzdálenosti	Když strunovou sekačku používáte, udržujte od ostatních osob a domácích zvířat bezpečnou vzdálenost aspoň 15m.
V	Voltů	Napětí
A	Ampérů	Proud
Hz	Hertzů	Frekvence (počet cyklů za sekundu)
W	Wattů	Výkon

min	Minut	Doba
~	Střídavý proud	Druh proudu
≡	Stojnosměrný proud	Druh nebo vlastnosti proudu
n_0	Rychlost při chodu naprázdno	Otáčky při chodu naprázdno
.../min	Za minutu	Otáčky za minutu

- Nikdy stroj nepoužívejte, pokud jsou poškozené kryty nebo štíty, nebo když nejsou instalované.
- Motor zapněte pouze v případě, že jsou ruce a nohy v bezpečné vzdálenosti od řezacího nástroje.
- Stroj vždy odpojte z elektrické sítě (tj. odpojte zástrčku ze zásuvky, nebo vyjměte blokovací zařízení):
 - kdykoliv je stroj bez dozoru;
 - před odstraněním překážky;
 - před kontrolou, čištěním nebo prací na stroje;
 - po nárazu do cizího tělesa;
 - vždy, když začne stroj abnormálně vibrovat.
- Dávejte pozor na poranění nohou a rukou řezným nástrojem.
- Dbejte, aby větrací otvory byly vždy udržovány v čistotě.

DŮLEŽITÉ BEZPEČNOSTNÍ POKYNY

⚠ VAROVÁNÍ: Při používání strunových sekaček je nutné vždy dodržovat základní bezpečnostní opatření pro zamezení rizika požáru, úrazu elektrickým proudem a poranění osob včetně následujícího.

ČTĚTE PEČLIVĚ PŘED POUŽITÍM

USCHOVEJTE PRO BUDOUCÍ POUŽITÍ

⚠ NEBEZPEČÍ: Nespoléhejte se na izolaci nářadí proti úrazu elektrickým proudem. Chcete-li snížit riziko usmrcení elektrickým proudem, nikdy stroj nepoužívejte v blízkosti žádných vodičů nebo kabelů (napájecích atd.), které mohou vést elektřinu.

⚠ UPOZORNĚNÍ: Při práci používejte vhodné chrániče sluchu. Za určitých podmínek a určité době používání může hluk z tohoto výrobku přispět ke ztrátě sluchu.

ŠKOLENÍ

- Pečlivě si přečtěte tyto pokyny. Seznamte se s ovládacími prvky a správným použitím stroje.
- Osoby, které se neseznámily s těmito pokyny, nebo děti nesmí stroj používat. Místní předpisy mohou omezovat věk obsluhy.
- Nezapomínejte, že je obsluha nebo uživatel zodpovědný za nehody nebo ohrožení jiných osob nebo jejich majetku.

PŘÍPRAVA

- Stroj nikdy nepoužívejte, pokud jsou v blízkosti osoby, zejména děti, nebo domácí zvířata.
- Při práci se strojem vždy používejte ochranu očí a noste pevnou obuv.

POUŽITÍ

- Stroj používejte pouze za denního světla nebo při dobrém umělém osvětlení.

ÚDRŽBA A SKLADOVÁNÍ

- Před provedením údržby nebo čištění stroj vždy odpojte z elektrické sítě (tj. odpojte zástrčku ze zásuvky, nebo vyjměte blokovací zařízení).
- Používejte pouze náhradní díly a příslušenství doporučené výrobcem.
- Pravidelně stroj kontrolujte a udržujte. Opravu stroje svěřte pouze autorizovanému opraváři.
- Pokud se nepoužívá, skladujte stroj mimo dosah dětí.

DALŠÍ BEZPEČNOSTNÍ VAROVÁNÍ

- Vyhnete se nebezpečnému prostředí – nepoužívejte sekačky ve vlhkém nebo mokřém prostředí.
- Pokud je zůstává strunová sekačka bez dozoru, vždy ji vypněte nebo vyjměte akumulátor.
- Nepoužívejte ji v dešti.
- Udržujte děti v bezpečné vzdálenosti – všichni návštěvníci musí dodržovat bezpečnou vzdálenost od pracoviště.
- Vhodné se oblékněte – nenoste volný oděv ani šperky. Mohou se zachytit v pohyblivých částech. Při práci venku doporučujeme použít gumové rukavice a pevné boty. Noste ochrannou pokrývku hlavy, která zakryje dlouhé vlasy.
- Používejte ochranné brýle – vždy noste ochrannou masku nebo protiprachový respirátor, pokud je práce prašná.
- Používejte správný stroj – nepoužívejte sekačku k jiné práci, než ke které je určena.
- Sekačku nepřetěžujte – svou práci bude vykonávat lépe a s nižším rizikem úrazu v rámci parametrů, pro něž byla určena.

- Nepřeceňujte své síly – vždy udržte pevný postoj a rovnováhu.
- Buďte pozorní – sledujte, co děláte. Buďte soudní. Nepoužívejte sekačku, pokud jste unaveni.
- Se sekačkou nepracujte pod vlivem alkoholu nebo jiných návykových látek.
- Veškeré kryty musejí být instalovány na příslušných místech a musejí být v dobrém stavu.
- Sekačku skladujte v interiéru – pokud sekačku nepoužíváte, skladujte ji v interiéru na suchém, vyvýšeném nebo uzamčeném místě s vyjmutým akumulátorem – mimo dosah dětí.
- Sekačku pečlivě udržujte – žací nástavec udržujte v čistotě pro co nelepší výkon a snížení rizika úrazu. Dodržujte pokyny pro výměnu příslušenství. Udržujte rukojeť suché, čisté, bez oleje a maziva.
- Zkontrolujte poškozené díly – před dalším použitím sekačky je nutno každý poškozený kryt nebo část pečlivě zkontrolovat a určit, zda budou fungovat správně a plnit svoji zamýšlenou funkci. Zkontrolujte seřízení pohyblivých částí, spojené pohyblivých částí, poškození částí, sestavení a další podmínky, které mohou ovlivnit jeho provoz. Kryt nebo jiná poškozená část by se měla řádně opravit nebo vyměnit v autorizovaném servisním středisku, pokud není v tomto návodu uvedeno jinak.
- Před každým použitím v vyčistěte prostor, kde budete stříhat. Odstraňte veškeré předměty, jako jsou např. kameny, rozbité sklo, hřebíky, dráty nebo provazy, které mohou být vrženy, nebo se mohou do žacího nástavce zaplést. Dbejte, aby ostatní osoby a domácí zvířata byla ve vzdálenosti aspoň 15m.
- Před použitím stroje a po případném nárazu zkontrolujte, zda nejsou známky opotřebení nebo poškození, a v případě potřeby jej opravte.
- Při práci sekačku vždy držte pevně s oběma rukama na rukojeťech. Prsty a palce opečněte okolo rukojetí.
- Zabraňte neúmyslnému spuštění – nepřenášejte sekačku s prstem na spoušti.
- Sekačku nepoužívejte v hořlavém nebo výbušném prostředí. Motory v těchto zařízeních produkují jiskru, která může zapálit výpar.
- Nedotýkejte se pohyblivých nebezpečných částí před vypnutím zařízení (nebo vyberte baterii ze stroje) a pokud se pohyblivé nebezpečné části úplně nezastaví.
- Poškození sekačky – pokud narazíte sekačkou do cizího tělesa, nebo se zaplete, okamžitě strunovou sekačku vypněte, vyjměte akumulátor, zkontrolujte, zda není poškozena a případně poškození opravte před dalším použitím. Nepoužívejte ji s poškozeným krytem nebo cívkou.
- Pokud začne strunová sekačka abnormálně vibrovat, zastavte motor, vyjměte akumulátor a okamžitě vyhledejte příčinu. Vibrace obvykle upozorňují na problém. Uvolněná hlava může vibrovat, prasknout, poškodit se, nebo odpadnout od sekačky, což může vést k vážnému nebo smrtelnému úrazu. Zkontrolujte, zda je žací nástavec řádně upevněn a v dané pozici. Pokud se hlava uvolní po upevnění v dané pozici, okamžitě ji vyměňte. Nikdy nepoužívejte sekačku s uvolněným žacím nástavcem.
- Prasklou, poškozenou nebo opotřebovanou žací hlavici okamžitě vyměňte, i kdyby se jednalo pouze o povrchové praskliny. Tyto nástavce se mohou roztržít ve vysoké rychlosti a způsobit vážný nebo smrtelný úraz.
- Žací nástavec kontrolujte v pravidelných intervalech při práci, nebo okamžitě v případě zjevné změny v chodu sekání.
- Používejte výhradně schválené příslušenství pro polymerové žací (Ø2,0 mm) struny značky EGO™ a struny, které jsou určeny pro použití s tímto nářadím. I když lze na strunovou sekačku značky EGO™ instalovat některé neschválené příslušenství, jeho použití může být velmi nebezpečné a nebo může dojít k poškození nástroje.
- Pro snížení rizika vážného úrazu nikdy nepoužívejte drátěné nebo kovem vyztužené struny nebo jiné materiály místo nylonových žacích strun. Kusy drátu se mohou odломit a vymrštít vysokou rychlostí směrem k obsluze nebo ostatním osobám.
- Pro snížení rizika úrazu v důsledku ztráty kontroly nikdy nepracujte na žebříku nebo jiné nestabilní podpoře. Nikdy nedržte žací nástavec nad úrovní pasu.
- Pokud nastane situace, která není popsána v tomto návodu, použijte pečlivý a dobrý úsudek. O pomoc kontaktujte servisní středisko společnosti EGO.
- Akumulátor nenabíjejte v dešti nebo na mokřem místě.
- Používejte pouze následující akumulátory a nabíječky:

AKUMULÁTOR	NABÍJEČKA
BA1120E, BA2240E, BA2800, BA3360, BA4200	CH5500E, CH2100E

- Před likvidací vyjměte ze zařízení akumulátor.
- Akumulátor likvidujte bezpečným způsobem.
- Akumulátory nevhazujte do ohně. Články mohou vybuchnout. O zvláštních pokynech pro likvidaci se informujte v místních právních předpisech.
- Akumulátor neotvírejte ani neznehodnocujte. Uniklý elektrolýt je žíravý a může způsobit poškození očí nebo kůže. Při požití může být toxický.
- Při manipulacemi s akumulátory dbejte, aby nedošlo ke zkratu akumulátoru vodivými materiály, jako např. prsteny, náramky nebo klíče. Akumulátor nebo vodič se mohou přehřát a způsobit popáleniny.

- Při opravách používejte pouze originální náhradní díly společnosti EGO™. Použití jiného příslušenství nebo nástavců může zvýšit riziko úrazu.
- Akumulátorové nářadí se nemusí zapojovat do elektrické zásuvky, proto jsou vždy v provozním stavu. Nezapomínejte na možná rizika ani v případě, že je nářadí vypnuté. Dbejte opatnosti při údržbě.
- Nůžky nemyjte hadicí; dbejte, aby se do motoru a elektrických přípojek nedostala voda.
- Tyto pokyny uschovejte pro budoucí použití. Používejte je často a také k poučení dalších osob, které mohou toto nářadí používat. Pokud nářadí někomu půjčíte, půjčte mu také tento návod k obsluze, aby nedošlo k nesprávnému použití výrobků nebo případně k úrazu.
- Při práci se zařízením vždy noste pevnou obuv a dlouhé kalhoty.
- Ve svahu vždy dbejte na pevný postoj a choďte, nikdy neběhejte.
- Celková deklarovaná hodnota vibrací byla naměřena podle standardní zkušební metody a lze ji použít ke srovnání s jiným nářadím;
- Celkovou deklarovanou hodnotu vibrací lze použít také k předběžnému stanovení expozičních limitů.

POZNÁMKA: Emise vibrací při konkrétním použití elektrického nářadí se mohou lišit od deklarované hodnoty, při které se nářadí používá; z důvodu ochrany provozovatele by měl uživatel ve skutečných pracovních podmínkách nosit rukavice a chrániče sluchu.

OBSAH BALENÍ

NÁZEV DÍLU	MNOŽSTVÍ
Strunová sekačka	1
Kryt	1
Sestava přední pomocné rukojeti	1
Šestihranný klíč	1
Návod k obsluze	1

TYTO POKYNY USCHOVEJTE PRO BUDOUCÍ POUŽITÍ!

SPECIFIKACE

Napětí	56 V ---	
Rychlost při chodu naprázdno	7 000/min	
Žací mechanismus	Strunová hlava	
Typ žací struny	AL0800 Ø2,0 mm nylonová kulatá struna	
Šířka sekání	30 cm	
Hmotnost nůžek (bez akumulátoru)	2,85 kg	
Měřená hladina akustického výkonu L_{WA}	90,76 dB(A) K = 2,5 dB(A)	
Maximální hladina akustického tlaku na sluch obsluhy L_{PA}	75,0 dB(A) K = 2,5 dB(A)	
Zaručená úroveň akustického výkonu L_{WA} (měřeno podle směrnice 2000/14/ES)	91 dB(A)	
Vibrace a_h	Přední pomocná rukojeť	3,279 m/s ² K = 1,5 m/s ²
	Zadní rukojeť	4,915 m/s ² K = 1,5 m/s ²

POPIS

SEZNAMTE SE S VAŠÍ STRUNOVOU SEKAČKOU (obr. A)

1. Spoušť
2. Zadní rukojeť
3. Páka pojistky
4. Měkké pouzdro
5. Stavitelná přední pomocná rukojeť
6. Hřídel
7. Chránič struny
8. Regulátor struny
9. Strunová hlava (žací hlava)
10. Kryt
11. Vyžínací kotouč
12. Uvolňovací mechanismus
13. Elektrické kontakty
14. Západka
15. Tlačítko pro uvolnění akumulátoru

MONTÁŽ

VAROVÁNÍ: Pokud jsou některé díly poškozené, nebo chybí, nepoužívejte výrobek, dokud se díly nevymění. Použití tohoto výrobku s poškozenými nebo chybějícími díly může vést k vážnému úrazu.

VAROVÁNÍ: Nepokoušejte se výrobek upravovat ani vytvářet příslušenství, které se k této strunové sekačce nedoporučuje. Každá taková změna nebo úprava je nesprávná a může vést k nebezpečné situaci, která může zapříčinit vážný úraz.

VAROVÁNÍ: Pokud provádíte montáž dílů, vždy vyjměte akumulátor, aby nedošlo k neúmyslnému spuštění, které může způsobit vážný úraz.

MONTÁŽ KRYTU (obr. B, C a D)

VAROVÁNÍ: Při montáži nebo výměně krytu vždy používejte rukavice. Pozor na nůž na krytu, chraňte si ruce před pořezáním.

VAROVÁNÍ: Nářadí nikdy nepoužívejte bez řádně instalovaného krytu. Kryt musí být vždy na nářadí z důvodu ochrany uživatele! Pokud je kryt instalovaný napevno, nikdy se jej nepokoušejte odstranit nebo upravit, pokud je nezbytná výměna, musí být provedena kvalifikovaným servisním technikem!

Otočte sekačku hlavou vzhůru, povolte a vyšroubujte dva šrouby. Srovnajte vodičí žebrování s drážkami v pouzdru, zatlačte kryt na místo a zajistěte jej s pomocí dvou šroubů. Dbejte, aby vnitřní povrch krytu směřoval k hlavě sekačky.

MONTÁŽ A NASTAVENÍ PŘEDNÍ POMOCNÉ RUKOJETI

Nasaďte přední pomocnou rukojeť na hřídel (obr. F), vložte upínací blok do otvoru rukojeti (obr. G), namontujte pojistnou tyč a zajistěte křídlou maticí (obr. H). Postup je znázorněn na obr. E. Nakonec nastavte polohu přední pomocné rukojeti tak, aby byla vaše při použití sekačky natažená (obr. I) a zajistěte páčku zámku tyče (obr. J).

Obr. E a I, následuje popis dílů:

E-1	Přední pomocná rukojeť	E-4	Křídlová matice
E-2	Pojistná tyč	I-1	Měkké pouzdro
E-3	Upínací blok	I-2	Výstražný štítek

POZNÁMKA: Přední pomocná rukojeť musí být natočena vzhůru tak, aby směřovala k horní části rukojeti.

VAROVÁNÍ: Přední pomocnou rukojeť upevňujte výhradně před měkké pouzdro na hřídeli.

VAROVÁNÍ: Nářadí nelze používat bez spolehlivě upevněné přední pomocné rukojeti.

POUŽITÍ

VAROVÁNÍ: Dbejte, abyste se po seznámení s výrobkem nestali neopatrní. Nezapomínejte, že stačí chvíle nepozornosti a může se stát vážný úraz.

VAROVÁNÍ: Vždy používejte ochranu očí s bočními kryty. Spolu s chráničem sluchu. Pokud tak neučiníte, může dojít k vyvrstvení předmětu do očí, nebo případně jiným způsobit vážným úrazům.

VAROVÁNÍ: Nepoužívejte nástavce nebo příslušenství, které nedoporučuje výrobce tohoto výrobku. Použití nedoporučených nástavců a příslušenství může vést k vážnému úrazu.

VAROVÁNÍ: Strunovou sekačku vybavenou vhodnou strunou používejte výhradně k sekání trávy a podobných materiálů.

VAROVÁNÍ: Pokud provádíte montáž dílů, úpravy, čištění, nebo foukač nepoužíváte, vždy vyjměte akumulátor, aby nedošlo k neúmyslnému spuštění, které může způsobit vážný úraz.

Výrobek lze použít k následujícím účelům:

Zarovnání: slouží k odstranění trávy a plevele u zdi, plotů, stromů a obrubníků.

Sekání: slouží k sekání trávy, která je pro běžnou sekačku obtížně dostupná.

POZNÁMKA: Nářadí se smí používat pouze k vyhrazenému účelu. Jakékoliv jiné použití, např. úprava rohů, se považuje za nesprávné.

INSTALACE/VYJMUTÍ AKUMULÁTORU

Před prvním použitím akumulátor nabijte.

Instalace (obr. K)

Srovnajte žebrování akumulátoru s instalačními drážkami a tlačte baterii dokud neuslyšíte „kliknutí“.

Vyjmutí (obr. L)

VAROVÁNÍ: Při stisku tlačítka pro uvolnění akumulátoru dávejte pozor na nohy, děti nebo domácí zvířata. Pokud akumulátor upadne, může dojít k vážnému úrazu. NIKDY nevjímejte akumulátor ve zdvižené poloze.

Stiskněte tlačítko pro uvolnění akumulátoru a vytáhněte jej.

JAK DRŽET STRUNOVOU SEKAČKU

VAROVÁNÍ: Pro práci s tímto nářadím se vhodně oblékněte, abyste snížili riziko úrazu. Nenoste volný oděv ani šperky. Používejte ochranu očí a chrániče sluchu. Noste odolné, dlouhé kalhoty, pevné boty a rukavice. Nenoste krátké kalhoty, sandály ani nechodte bosí.

Před spuštěním držte sekačku oběma rukama, jednou rukou za zadní rukojeť a druhou za přední pomocnou rukojeť, která musí být rovná (obr. M). Zkontrolujte vyvážený postoj a správnou žací vzdálenost.

SPUŠTĚNÍ/VYPNUTÍ STRUNOVÉ SEKAČKY (obr. N)

Spuštění

Stlačte páku pojistky a držte ji v této poloze. Stisknutím spouště zapnete strunovou sekačku.

Zastavení

Uvolněte páku pojistky a spoušť.

VAROVÁNÍ: Při přestávce a po skončení práce vždy vyjměte akumulátor ze strunové sekačky.

POUŽITÍ STRUNOVÉ SEKAČKY

VAROVÁNÍ: Aby nedošlo k vážnému úrazu, používejte vždy při práci s tímto nářadím ochranné brýle. V prašném prostředí používejte ochrannou masku nebo protiprachový respirátor.

Před každým použitím vyčistěte prostor, kde budete stříhat. Odstraňte veškeré předměty, jako jsou například kameny, rozbité sklo, hřebíky, dráty nebo provazy, které mohou být vrženy, nebo se mohou do žacího nástavce zaplést. Z prostoru vyžehňte děti, ostatní osoby a domácí zvířata. Minimální bezpečná vzdálenost pro děti, ostatní osoby a domácí zvířata je 15m; stále však hrozí riziko zasažení ostatních osob vymrštěnými předměty. Ostatním osobám doporučujeme použití ochrany očí. Pokud se k vám někdo blíží, okamžitě vypněte motor a žací nástavec.

Před každým použitím zkontrolujte poškození/opotřebení dílů

Zkontrolujte strunovou hlavu, kryt, přední pomocnou rukojeť a vyměňte díly, které jsou prasklé, zdeformované, ohnuté nebo jinak poškozené.

Vyžínací kotouč na okraji krytu se může časem ztupit. Doporučujeme vyžínací kotouč pravidelně brousit pilníkem, nebo jej vyměnit za nový.

VAROVÁNÍ: Při montáži krytu, broušení nebo výměně kotouče vždy používejte rukavice. Pozor na nůž na krytu, chraňte si ruce před pořezáním.

Po každém použití sekačku vyčistěte.

- K čištění nářadí používejte pouze neagresivní mýdlo a vlhký hadr. Dbejte, aby do nářadí nepronikla žádná kapalina; žádný díl tohoto nářadí nikdy neponořujte do kapaliny.
- Udržujte větrací otvory pouzdra motoru a hřídele vždy v čistotě (obr. O).

Obr. O, následuje popis dílů:

O-1	Větrací otvory v hřídeli
O-2	Větrací otvory v pouzdru motoru

UPOZORNĚNÍ: Překážky ve větracích otvorech zabrání proudění vzduchu do pouzdra motoru, což povede k přehřátí nebo poškození motoru.

VAROVÁNÍ: K čištění nůžek nikdy nepoužívejte vodu. K čištění plastových dílů nepoužívejte rozpouštědla. Většina plastů je náchylná k poškození různými typy komerčních rozpouštědel. K odstranění nečistot, prachu, oleje, maziva atd. použijte čistý hadr.

NASTAVENÍ DÉLKY ŽACÍ STRUNY

Strunová hlava umožňuje obsluhu více vysunout žací strunu bez zastavení motoru. Když se struna roztrpí nebo opotřebí, lze vysunout další část struny lehkým poklepáním na regulátoru struny o zem při práci se sekačkou (obr. P).

Pro dosažení co nejlepšího výsledku poklepejte na regulátor struny na holé zemi nebo pevné půdě. Pokud se o vysunutí struny pokusíte ve vysoké trávě, může dojít k přehřátí motoru. Vždy udržujte žací strunu zcela vysunutou. Vysouvání struny se stává obtížnějším se zkracováním žací struny.

VAROVÁNÍ: Nevýjímejte ani neupravujte sestavu vyžínacího kotouče. Nadměrná délka struny způsobí přehřátí motoru, což může vést k vážnému úrazu.

PRÁCE S CHRÁNIČEM STRUNY

Chránič struny může omezit rozsah sekání žací struny a snížit riziko škody způsobené rotující žací strunou (obr. Q)

Chcete-li použít chrániče strunky, otočte jej z úložné polohy (obr. R).

VAROVÁNÍ: Strunová hlava se může ještě krátce po vypnutí strunové sekačky otáčet. Před nastavením chrániče struny počkejte, než se strunová hlava zcela zastaví. Nenastavujte jej nohou.

VÝMĚNA STRUNY

POZNÁMKA: Vždy používejte standardní nylonovou žací strunu s průměrem maximálně Ø2,0 mm.

VAROVÁNÍ: Nikdy nepoužívejte kovem vyztužené struny, dráty, šňůry atd. Mohou se odломit a stát nebezpečnými projektily.

Existují dva způsoby výměny žací struny:

1. Navinout na cívku novou strunu.
2. Instalovat předem navinutou cívku (AS1301, v případě potřeby je k dostání u prodejců).

Navinutí nové struny na cívku

Stiskněte dvě uvolňovací západky na spodní straně cívky a vytáhněte držák cívky (obr. S). Odmotejte přibližně 7m nové žací struny. Přeložte ji a naviňte na cívku, jak je znázorněno na obr. T a U. Pak provlékněte konce struny dvěma protilehlými zářezy v cívce (obr. V) a nasadte cívku na držák tak, aby byly zářezy vyrovnané s očky (obr. W). Nakonec srovnějte drážky držáku se západkami na spodní straně cívky a zatlačte držák rovnoměrně dolů tak, aby zapadl na místo (obr. X).

POZNÁMKA: Před montáží hlavy sekačky vždy vyčistěte držák cívky, cívku a spodní část cívky. Zkontrolujte opotřebený držák cívky, cívky a spodní části cívky. V případě potřeby opotřebované díly vyměňte.

POZNÁMKA: Pokud nenavínáte strunu v uvedeném směru, nebude hlava sekačky pracovat správně.

Instalace předem navinuté cívky

Stiskněte dvě uvolňovací západky na spodní straně cívky a vytáhněte držák cívky (obr. S). Pak umístěte předem navinutou cívku na držák se zářezy vyrovnanými s očky držáku (obr. W). Nakonec srovnějte drážky držáku se západkami na spodní straně cívky a zatlačte držák rovnoměrně dolů tak, aby zapadl na místo (obr. X).

Obr. W a X, následuje popis dílů:

W-1	Zářez	X-1	Západka
W-2	Očko	X-2	Drážka

POZNÁMKA: Dbejte, aby západky na spodní straně cívky zapadly na místo, nebo cívka při práci vypadne.

ÚDRŽBA

VAROVÁNÍ: Při opravách používejte pouze originální náhradní díly. Pravidelně stroj kontrolujte a udržujte. Z důvodu bezpečnosti by měl všechny opravy provádět kvalifikovaný servisní technik.

VAROVÁNÍ: Akumulátorové nářadí se nemusí zapojovat do elektrické zásuvky, proto jsou vždy v provozním stavu. Aby nedošlo k vážnému úrazu, věnujte zvýšenou pozornost a péči údržbě, servisu, výměně žacího nebo jiného nástavce.

VAROVÁNÍ: Aby nedošlo k vážnému úrazu vyjměte před servisem, čištěním, výměnou nástavců nebo odstraněním materiálu nářadí akumulátor.

ČIŠTĚNÍ NÁŘADÍ

- Nářadí čistěte vlhkým hadrem s neagresivním čisticím prostředkem.
- Na plastové pouzdro nebo rukojeť nepoužívejte žádné silné čisticí prostředky. Mohou být poškozeny některými aromatickými oleji, jako např. borovicovým nebo citronovým a rozpouštědly, jako např. petrolej. Vlhkost může rovněž způsobit riziko úrazu elektrickým proudem. Veškerou vlhkost setřete suchým měkkým hadrem.
- K čištění větracích otvorů od nečistot a překážek na zadní části pouzdra použijte malý kartáč nebo proud vzduchu z malého vysavače.

SKLADOVÁNÍ NÁŘADÍ

- Pokud strunovou sekačku nepoužíváte, vyjměte z ní akumulátor.
- Nářadí před uskladněním řádně vyčistěte.
- Nářadí skladujte na suchém, dobře větraném, uzamčeném nebo vyvýšeném místě mimo dosah dětí. Nářadí neskladujte v blízkosti hnojiv, benzínu nebo jiných chemických látek.

Ochrana životního prostředí



Elektrické zařízení, nabíječku a baterie/ nabíjecí baterie nevhazujte do domovního odpadu!

Podle směrnice Evropského parlamentu a Rady 2012/19/EU se musí odpadní elektrická a elektronická zařízení a podle směrnice 2006/66/ES vadné nebo použité akumulátory/baterie sbírat odděleně.

Pokud se elektrická zařízení likvidují na zavážkách nebo skládkách, mohou do podzemní vody prosáknout nebezpečné látky, dostat se do potravního řetězce a poškodit tak vaše zdraví a zdravotní stav.

ES PROHLÁŠENÍ O SHODĚ



My, EGO EUROPE GMBH

Wahlwiesenstrasse 1, D-71711 Steinheim an der Murr
Deutschland

Prohlašujeme, že výrobek **56V lithium-iontová strunová sekačka ST1210E** splňuje základní požadavky na ochranu zdraví a bezpečnost následujících směrnic:

2006/42/ES, 2014/30/EU, 2011/65/EU, 2000/14/ES

Normy a technické specifikace vychází z:

EN 60335-1, EN 50636-2-91, EN 55014-1, EN 55014-2

Měřená hladina akustického výkonu: 90,76 dB(A).

Zaručená úroveň akustického výkonu: 91 dB(A).

Postup posuzování shody přílohy VI je v souladu s 2000/14/ES.

Notifikovaný orgán: Sociétés Nationale de Certification et d'Homologation

Číslo notifikovaného orgánu:0499

Peter Melrose
Výkonný ředitel EGO
Europe GmbH

Dong Jianxun
Manažer kvality společnosti
Chervon

* (Pověřený zástupce společnosti CHERVON odpovědný za technickou dokumentaci)

01/09/2016

ODSTRAŇOVÁNÍ PROBLÉMŮ

PROBLÉM	PŘÍČINA	ŘEŠENÍ
Strunová sekačka se nespustí.	<ul style="list-style-type: none"> ■ K sekačce není připojen akumulátor. ■ Bez elektrického kontaktu mezi sekačkou a akumulátorem. ■ Akumulátor je vybitý. ■ Páka pojistky a spoušť nejsou stisknuté současně. 	<ul style="list-style-type: none"> ■ Nasadte akumulátor na sekačku. ■ Vyměte akumulátor, zkontrolujte póly a znovu jej nainstalujte. ■ Nabijte akumulátor. ■ Stlačte páku pojistky, držte ji a stisknutím spouště zapněte strunovou sekačku.
Při sekání se strunová sekačka zastaví.	<ul style="list-style-type: none"> ■ Na sekačce není namontovaný kryt, což má za následek příliš dlouhou žací strunu a přetížení motoru. ■ Je použita těžká žací struna. ■ Hřídel motoru nebo strunová hlava jsou zablokované trávou. ■ Motor je přetížen. ■ Akumulátor strunové sekačky je příliš horký. ■ Akumulátor je odpojený od nářadí. ■ Akumulátor je vybitý. 	<ul style="list-style-type: none"> ■ Vyměte ze sekačky akumulátor a namontujte kryt. ■ Používejte výhradně nylonovou žací strunu s průměrem maximálně 2,0 mm. ■ Zastavte sekačku, vyměte akumulátor a odstraňte trávu z hřídele motoru a strunové hlavy. ■ Vytáhněte strunovou hlavu z trávy. Motor začne pracovat, jakmile odstraníte zatížení. Při sekání pohybujte strunovou hlavou v sekané trávě tam a zpět, délka pohybu by neměla přesáhnout délku 20 cm v jednom tahu. ■ Nechejte akumulátor nebo sekačku zchladnout, dokud teplota neklesne pod 67 °C. ■ Znovu nainstalujte akumulátor. ■ Nabijte akumulátor.
Ze strunové hlavy se nevysouvá struna.	<ul style="list-style-type: none"> ■ Hřídel motoru nebo strunová hlava jsou zablokované trávou. ■ Na cívce není struna v dostatečné délce. ■ Strunová hlava je znečištěná. ■ Struna se na cívce zamotala. ■ Struna je příliš krátká. 	<ul style="list-style-type: none"> ■ Zastavte sekačku, vyměte akumulátor a odstraňte trávu z hřídele motoru a strunové hlavy. ■ Vyměte baterii a vyměňte strunu; dodržujte pokyny uvedené v části „VÝMĚNA STRUNY“ v tomto návodu. ■ Vyměte akumulátor, vyčistěte cívku, držák cívky a spodní část cívky. ■ Vyměte akumulátor, vymotejte strunu z cívky a znovu ji naviňte; dodržujte pokyny uvedené v části „VÝMĚNA STRUNY“ v tomto návodu. ■ Vyměte baterii, zatáhněte za struny a současně poklepejte na regulátor struny.

PROBLÉM	PŘÍČINA	ŘEŠENÍ
Kolem strunové hlavy a pouzdra motoru se namotala tráva.	<ul style="list-style-type: none">■ Sekání vysoké trávy na úrovni terénu.	<ul style="list-style-type: none">■ Vysokou trávu sekejte shora dolů, pokaždé ne více než 20 cm, aby nedocházelo k zamotání.
Struna neseče dobře.	<ul style="list-style-type: none">■ Vyžínací kotouč na okraji krytu se ztupil.	<ul style="list-style-type: none">■ Nabruste vyžínací kotouč pilníkem nebo jej vyměňte za nový.

ZÁRUKA

ZÁRUKA SPOLEČNOSTI EGO

Úplné záruční podmínky společnosti EGO naleznete na webové stránce egopowerplus.com.

PREČÍTAJTE SI VŠETKY POKYNY!



**PREČÍTAŤ SI & POCHOPIŤ
NÁVOD NA OBSLUHU**

⚠ Potenciálne riziká! Ľudia s elektronickými zariadeniami, ako sú napríklad kardiostimulátory, sa musia pred použitím tohto výrobku poradiť so svojim lekárom. Použitie elektrických zariadení v tesnej blízkosti kardiostimulátora by mohlo spôsobiť rušenie alebo zlyhanie kardiostimulátora.

⚠ VAROVANIE: Pre zaistenie bezpečnosti a spoľahlivosti je nevyhnutné, aby všetky opravy a výmeny vykonával len kvalifikovaný servisný technik.

BEZPEČNOSTNÉ SYMBOLY

Účelom bezpečnostných symbolov je upozorniť vás na možné nebezpečenstvá. Venujte príslušnú pozornosť a pochopte bezpečnostné symboly a ich vysvetlenia. Varovné symboly, samy o sebe, nedokážu eliminovať nebezpečenstvo. Pokyny a varovania, ktoré obsahujú, nie sú náhradou za vhodné opatrenia na prevenciu úrazov.

⚠ VAROVANIE: Pred použitím tohto nástroja si prečítajte a pochopte všetky bezpečnostné pokyny v tomto návode na obsluhu, vrátane všetkých bezpečnostných výstražných symbolov, ako sú „**NEBEZPEČENSTVO**“, „**VAROVANIE**“ a „**UPOZORNENIE**“. Nedodržanie nižšie uvedených pokynov môže mať za následok úraz elektrickým prúdom, požiar a / alebo vážne zranenie.

SK

VÝZNAM SYMBOLU

BEZPEČNOSTNÝ VÝSTRAŽNÝ SYMBOL:

Označuje **NEBEZPEČENSTVO**, **VAROVANIE**, alebo **UPOZORNENIE**. Môže byť použitý v spojení s inými symbolmi alebo piktogramami.



⚠ VAROVANIE: Prevádzka akéhokoľvek elektrického náradia môže viesť k vymršteniu cudzích predmetov do vašich očí, čo môže spôsobiť vážne poškodenie zraku. Skôr, ako začnete používať elektrické náradie, si vždy nasadte ochranné okuliare alebo ochranné okuliare s postrannými krytmi a prípadne celotvárový štít. Odporúčame použiť bezpečnostnú masku Wide Vision cez okuliare alebo štandardné bezpečnostné okuliare s postrannými krytmi.

BEZPEČNOSTNÉ POKYNY

Táto strana zobrazuje a popisuje bezpečnostné symboly, ktoré sa objavujú na tomto výrobku. Pred pokusom o zostavenie a prevádzkovanie si prečítajte, pochopte a dodržiavajte všetky pokyny na stroji.

	Bezpečnostné upozornenie	Opatrenia, ktoré sa týkajú vašej bezpečnosti.
	Prečítajte si návod na obsluhu.	Ak chcete znížiť riziko zranenia, používateľ musí pred použitím tohto výrobku prečítať a pochopiť návod na obsluhu.
	Používajte ochranu zraku.	Pri práci s týmto výrobkom vždy noste ochranné okuliare alebo ochranné okuliare s postrannými krytmi a celotvárový štít.
	Používajte ochranu sluchu.	Pri práci s týmto výrobkom vždy používajte ochranu sluchu.
	Priemer struny	Priemer nylonovej rezacej struny
	Rezná šírka	Max. rezná šírka strunovej kosačky
	Nevystavujte dažďu	Nepoužívajte v daždi, alebo nenechajte vonku, keď prší.
	Konštrukcia triedy II	Konštrukcia s dvojistou izoláciou.
	Udržiavajte okoloostojace osoby v bezpečnej vzdialenosti.	Zabezpečte, aby ostatní ľudia a domáce zvieratá zostali vo vzdialenosti aspoň 15m od strunovej kosačky, keď sa používa.
	Udržiavajte okoloostojace osoby v bezpečnej vzdialenosti.	Zabezpečte, aby ostatní ľudia a domáce zvieratá zostali vo vzdialenosti aspoň 15m od strunovej kosačky, keď sa používa.
V	Volt	Napätie
A	Ampéry	Prúd
Hz	Hertz	Frekvencia (cyklov za sekundu)
W	Watt	Výkon
min	Minúty	Čas

~	Striedavý prúd	Typ prúdu
≡	Jednosmerný prúd	Typ alebo charakteristika prúdu
n_0	Rýchlosť bez zaťaženia	Rýchlosť otáčania, bez záťaže
... /min	Za minútu	Otáčky za minútu

DÔLEŽITÉ BEZPEČNOSTNÉ POKYNY

VAROVANIE: Pri používaní strunových kosačiek sa musia vždy dodržiavať základné bezpečnostné opatrenia pre zníženie rizika vzniku požiaru, úrazu elektrickým prúdom alebo poranenia osôb, vrátane nasledujúcich:

PRED POUŽITÍM SI POZORNE PREČÍTAJTE

ODLOŽTE SI PRE BUDÚCU POTREBU

NEBEZPEČENSTVO: Nespoliehajte sa izoláciu nástroja, ktorá má chrániť pred úrazom elektrickým prúdom. Ak chcete znížiť riziko úrazu elektrickým prúdom, nikdy nepoužívajte stroj v blízkosti akýchkoľvek drôtov alebo káblov (napájanie, atď.), ktoré môžu viesť elektrický prúd.

UPOZORNENIE: Počas používania používajte vhodné osobné prostriedky na ochranu sluchu. Za určitých podmienok a dlhšom použití môže hluk z tohto výrobku prispieť k poškodeniu sluchu.

ŠKOLENIE

- Prečítajte si pozorne tieto pokyny. Zoznámte sa s ovládacími prvkami a správnym používaním stroja.
- Nikdy nedovoľte ľuďom, ktorí nie sú oboznámení s týmito pokynmi, alebo deťom používať stroj. Miestne predpisy môžu obmedzovať vek obsluhy.
- Majte na pamäti, že obsluha alebo používateľ nesie plnú zodpovednosť za nehody a nepredvídané udalosti voči iným osobám a ich majetku.

PRÍPRAVA

- Nikdy nepoužívajte stroj za prítomnosti osôb, najmä detí, alebo zvierat v jeho blízkosti.
- Používajte ochranu očí a hrubé topánky po celú dobu používania stroja.

POUŽIVANIE

- Stroj používajte iba za denného svetla alebo pri dobrom umelom osvetlení.
- Nikdy nepoužívajte stroj s poškodenými krytmi alebo štítmí, alebo bez nasadených krytov alebo štítov.

- Motor zapnite až vtedy, keď sú ruky a nohy mimo dosahu rezacích prostriedkov.
- Vždy odpojte stroj od napájania (t.j. vyťahnite zástrčku zo siete alebo vyberte blokovacie zariadenie).
 - vždy, keď necháte stroj bez dozoru;
 - pred odstraňovaním zablokovania;
 - pred kontrolou, čistením alebo prácou na stroji;
 - po zasiahnutí cudzieho predmetu;
 - vždy, keď stroj začne neobvykle vibrovať.
- Dávajte pozor na poranenia nôh a rúk rezacími prostriedkami.
- Zabezpečte, aby ventilačné otvory boli čisté.

ÚDRŽBA A SKLADOVANIE

- Pred vykonávaním údržby alebo čistením odpojte stroj od napájania (t.j. vyťahnite zástrčku zo siete alebo vyberte blokovacie zariadenie).
- Používajte len príslušenstvo a náhradné diely odporúčané výrobcom.
- Pravidelne kontrolujte a udržiavajte stroj. Nechajte stroj opraviť len u autorizovaného odborníka.
- Keď stroj nepoužívate, uskladnite ho mimo dosahu detí.

Iné bezpečnostné pokyny

- Nepracujte v nebezpečnom prostredí - Nepoužívajte kosačky vo vlhkom alebo mokrom prostredí.
- Vždy, keď necháte kosačku bez dozoru, vypnite ju, alebo vyberte akumulátor.
- Nepoužívajte v daždi.
- Nedovoľte deťom priblížiť sa - Všetci návštevníci sa musia zdržiavať v bezpečnej vzdialenosti od pracovnej oblasti.
- Vhodne sa obliekajte - Nenoste šperky alebo voľný odev. Môžu byť zachytené pohybujúcimi sa dielmi. Pri práci vonku odporúčame používať gumové rukavice a pevnú obuv. Používajte ochranné čiapky na dlhé vlasy.
- Používajte bezpečnostné okuliare - Vždy používajte protiprachovú masku, ak je práca prašná.
- Používajte správny nástroj - Nepoužívajte nástroj na iný ako určený účel.
- Nepreťažujte kosačku - Kosačka si bude robiť svoju prácu lepšie a s menšou pravdepodobnosťou rizika poranenia, ak sa použije určeným spôsobom.
- Nepreceňujte sa - Pri práci vždy dodržujte správny postoj a rovnováhu.
- Buďte pozorní - Sledujte, čo robíte. Používajte zdravý rozum. Nepracujte s kosačkou, ak ste unavení.
- Nepracujte s kosačkou, keď ste pod vplyvom alkoholu alebo drog.
- Majte chrániče nasadené a vo funkčnom stave.

- Kosačky skladujte vo vnútri - Keď kosačku nepoužívate, skladujte ju vo vnútri na suchom, vyvýšenom a prípadne uzamknutom mieste s odstráneným akumulátorom - mimo dosahu detí.
- Starostlivo udržiavajte kosačku - Udržiavajte rezacie príslušenstvo čisté pre najlepší výkon a zníženie rizika zranenia. Dodržujte pokyny pre výmenu príslušenstva. Udržujte rukoväť suché, čisté, bez oleja a maziva.
- Skontrolujte poškodené diely - Pred ďalším používaním kosačky musí byť chránič alebo iná časť, ktorá je poškodená, starostlivo skontrolovaná na správnu funkciu a plnenie jej zamýšľaného účelu. Skontrolujte vyrovnanie pohyblivých častí, pripojenie pohyblivých častí, poškodenie jednotlivých dielov, montáž a akékoľvek iné okolnosti, ktoré môžu mať vplyv na prevádzku nástroja. Chránič alebo iná časť, ktorá je poškodená, musí byť správne opravená alebo vymenená v autorizovanom servisnom stredisku, pokiaľ nie je uvedené inak v tejto príručke.
- Pred každým použitím vyčistite oblasť, ktorá má byť rezaná. Odstráňte všetky predmety, ako sú kamene, rozbité sklo, klince, drôty alebo šnúry, ktoré môžu byť vymrštené alebo môžu uviaznuť v stroji. Zabezpečte, aby ostatní ľudia a domáce zvieratá zostali vo vzdialenosti aspoň 15m.
- Pred použitím stroja a po každom zásahu, skontrolujte, či nejaví známky opotrebenia alebo poškodenia a podľa potreby ho opravte.
- Vždy držte kosačku pri používaní pevne oboma rukami na rukoväti. Palce a prsty obmotajte okolo rukoväti.
- Zabráňte nechcenému spusteniu - Neprenášajte kosačku s prstom na vypínači.
- Neprevádzkujte kosačku v horľavom alebo výbušnom prostredí. Motory v týchto zariadeniach bežne iskria a iskry by mohli vznietiť výpary.
- Nedotýkajte sa pohyblivých nebezpečných častí pred vypnutím zariadenia (alebo vyberte batériu zo stroja) a pokiaľ sa pohyblivé nebezpečné časti úplne nezastavia.
- Poškodenie kosačky - Ak zasiahnete cudzí predmet kosačkou, alebo ak sa kosačka zamotá, okamžite zastavte nástroj, vyberte batériu zo strunovej kosačky, skontrolujte poškodenie a akékoľvek poškodenie nechajte opraviť skôr, než sa pokúsite o ďalšiu prevádzku. Nepracujte s poškodeným krytom alebo cievkou.
- V prípade, že nástroj začne nezvyčajne vibrovať, vypnite motor, vyberte batériu zo strunovej kosačky a ihneď zistite príčinu. Vibrácie zvyčajne upozorňujú na problém. Uvoľnená hlava môže vibrovať, prasknúť, zlomiť sa alebo odletieť z kosačky, čo môže viesť k vážnemu alebo smrteľnému zraneniu. Uistite sa, že rezné príslušenstvo je správne uchytené na svojom mieste. V prípade, že sa hlava po upevnení uvoľní, ihneď ju vymeňte. Nikdy nepoužívajte kosačku s voľným rezacím príslušenstvom.
- Ihneď vymeňte prasknutú, poškodenú alebo opotrebovanú rezaciu hlavu, aj keď je poškodenie obmedzené na povrchové praskliny. Takéto príslušenstvo sa môže pri vysokej rýchlosti roztrieštiť a spôsobiť vážne alebo smrteľné zranenie.
- Počas prevádzky kontrolujte rezacie príslušenstvo v pravidelných krátkych intervaloch, alebo ihneď, ak vznikne nápadná zmena v charakteristike rezania.
- Používajte iba EGO™ autorizované polymérové strunové (Ø2,0 mm) príslušenstvo a kosačkové struny, ktoré sú určené pre použitie s týmito nástrojmi. Aj keď niektoré neautorizované príslušenstvo môže byť namontované na strunové kosačky EGO™, ich použitie môže byť veľmi nebezpečné a/alebo škodlivé pre nástroje.
- Aby sa znížilo riziko vážneho zranenia, nikdy nepoužívajte drôt alebo kovom zosilnenú strunu či iný materiál namiesto nylonových rezacích strún. Kúsky drôtu by sa mohli zlomiť a mohli by byť vymrštené vysokou rýchlosťou smerom k obsluhu alebo prizerajúcim sa.
- Za účelom zníženia rizika zranenia kvôli strate kontroly, nikdy nepracujte na rebríku alebo na inej neistej podpore. Nikdy nedržte rezacie príslušenstvo nad úrovňou pásu.
- Ak sa vyskytnú situácie, ktoré nie sú zahrnuté v tomto návode, použite starostlivosť a zdravý úsudok. Obráťte sa na servisné stredisko EGO pre pomoc.
- Nedobíjajte akumulátor v daždi alebo vo vlhkom prostredí.
- Používajte iba s nižšie uvedenými akumulátormi a nabíjačkami:

BATÉRIA	NABÍJAČKA
BA1120E, BA2240E, BA2800, BA3360, BA4200	CH5500E, CH2100E

- Pred likvidáciou musí byť akumulátor odstránený zo spotrebiča.
- Batérie likvidujte bezpečným spôsobom.
- Batérie nevyhadzujte do ohňa. Články môžu explodovať. Pozrite si miestne vyhlášky so špeciálnymi pokynmi na likvidáciu.
- Neotvárajte alebo nepoškodujte batérie. Uvoľnený elektrolyt je zieravina a môže spôsobiť poškodenie očí alebo kože. Môže byť toxická pri požití.
- Pri manipulácii s batériami buďte opatrní, aby nedošlo ku skratovaniu batérie vodivými materiálmi, ako sú prstene, náramky a kľúče. Batérie alebo vodiče sa môžu prehriať a spôsobiť popáleniny.

- Pri servise používajte iba identické náhradné diely EGO™. Použitie iného príslušenstva alebo prídavného zariadenia môže zvýšiť riziko poranenia.
- Nástroje na batérie nemusia byť zapojené do elektrickej zásuvky; preto sú vždy v prevádzkovom stave. Buďte si vedomí možných rizík, aj keď sa nástroj nepoužíva. Buďte opatrní pri vykonávaní údržby alebo servisu.
- Neumývajte s hadicou; zabráňte tomu, aby sa voda dostala do motora a elektrických prípojek.
- Odložte si tieto pokyny. Používajte ich často a poučte o používaní pokynov aj ostatných, ktorí môžu tento nástroj používať. Ak požičiate tento nástroj niekomu inému, požičajte mu aj tieto pokyny, aby sa zabránilo zneužitiu výrobku a prípadným zraneniam.
- Vždy noste pevnú obuv a dlhé nohavice pri práci so strojom.
- Vždy sa uistite o vašom stabilnom postoji na svahoch a kráčajte, nikdy nebežte.

ODLOŽTE SI TIETO POKYNY!

TECHNICKÉ ÚDAJE

Napätie	56 V $\overline{\text{---}}$	
Rýchlosť naprázdno	7000 /min	
Rezací mechanizmus	Rezacía hlava	
Typ rezacej struny	AL0800 Ø2,0 mm guľatá nylonová struna	
Rezná šírka	30 cm	
Hmotnosť (bez akumulátora)	2,85 kg	
Hladina akustického výkonu L_{WA}	90,76 dB(A) K = 2,5 dB(A)	
Maximálna hladina akustického tlaku pri uchu obsluhy L_{PA}	75,0 dB(A) K = 2,5 dB(A)	
Garantovaná hladina akustického výkonu L_{WA} (meraná podľa 2000/14/EC)	91 dB(A)	
Vibrácie a_h	Predná pomocná rukoväť	3,279 m/s ² K = 1,5 m/s ²
	Zadná rukoväť	4,915 m/s ² K = 1,5 m/s ²

- Uvádzaná celková hodnota vibrácií bola meraná v súlade so štandardnou skúšobnou metódou a môže byť použitá na porovnanie jedného zariadenia s iným;
- Uvádzaná celková hodnota vibrácie sa môže použiť aj na predbežný odhad expozície.

POZNÁMKA: Emisia vibrácií pri skutočnom používaní náradia sa môže odlišovať od deklarovanej hodnoty, pri akej sa nástroj používa; Za účelom ochrany obsluhy má používateľ v skutočných podmienkach použitia nosiť rukavice a ochranu sluchu.

OBSAH BALENIA

NÁZOV DIELU	MNOŽSTVO
Strunová sekačka	1
Kryt	1
Sestava predná pomocné rukojeti	1
Šestihranný kľúč	1
Návod k obsluze	1

POPIS

SPOZNAJTE VAŠU STRUNOVÚ KOSAČKU (obr. A)

1. Spúšťač
2. Zadná rukoväť
3. Poistná páčka
4. Mäkké puzdro
5. Nastaviteľná predná pomocná rukoväť
6. Hriadeľ
7. Chránič hlavy
8. Gombík hlavy
9. Strunová hlava (rezacia hlava)
10. Chránič
11. Strunová čepeľ
12. Vysunovací mechanizmus
13. Elektrické kontakty
14. Západka
15. Tlačidlo na uvoľnenie batérie

ZOSTAVA

VAROVANIE: Ak akýkoľvek diel chýba, alebo je poškodený, nepoužívajte tento výrobok, kým nie sú vymenené diely. Ak používate tento výrobok s poškodenými alebo chýbajúcimi časťami, môže dôjsť k vážnemu zraneniu.

VAROVANIE: Nepokúšajte sa upravovať tento výrobok alebo vytvoriť príslušenstvo, ktoré nie je odporúčané pre použitie s touto strunovou kosačkou. Každá takáto zmena alebo úprava je zneužitím a môže viesť k nebezpečnému stavu spôsobujúcemu vážne poranenie.

VAROVANIE: Aby sa zabránilo náhodnému spusteniu, ktoré by mohlo viesť k vážnemu zraneniu, vždy vyberte akumulátor z nástroja pri montáži dielov.

MONTÁŽ CHRÁNIČA (obr. B, C a D)

VAROVANIE: Pri montáži alebo výmene chrániča vždy používajte rukavice. Dajte si pozor na ostré hrany na chrániči a chráňte si ruky pred porezaním.

VAROVANIE: Nikdy nepoužívajte náradie bez nasadeného ochranného krytu. Chránič musí byť vždy na nástroji na ochranu používateľa! Po pripavení chrániča sa nikdy nepokúšajte odstrániť alebo upraviť chránič. Ak je nutná výmena, nechajte ju vykonať iba oprávneným servisným technikom!

Zdvihnite strunovú hlavu hore, uvoľnite a odstráňte dve skrutky. Zarovnajtie vodiace rebra s drážkami krytu, zatlačte chránič na miesto a zaistíte ho pomocou dvoch skrutiek. Uistite sa, že vnútorný povrch krytu smeruje k strunovej hlave.

MONTÁŽ A NASTAVENIE PREDNEJ POMOCNEJ RUKOVÄTE

Zatlačte prednú pomocnú rukoväť na hriadeľ (obr. F), založte upínací blok do drážky držadla (obr. G), namontujte poistnú páčku a zaistíte s krídlovou maticou (obr. H). Po radiu je znázomené na obr. E. Nakoniec nastavte polohu prednej pomocnej rukoväte tak, aby vaša predná ruka bola rovno pri použití kosačky (obr. I) a zaistíte zaistovacou páčkou (obr. J).

Popis dielov na obr. E a I si pozrite nižšie:

E-1	Predná pomocná rukoväť	E-4	Krídlová matica
E-2	Poistná páčka	I-1	Mäkké puzdro
E-3	Upínací Blok	I-2	Varovný štítok

POZNÁMKA: Predná pomocná rukoväť má byť otočená nahor, aby smerovala k hornej časti rukoväte.

VAROVANIE: Prednú pomocnú rukoväť pripievajte len na prednú časť mäkkého puzdra na hriadeľ.

VAROVANIE: Tento nástroj nie je možné používať bez spoľahlivo upevnenej prednej pomocnej rukoväte.

OBSLUHA

VAROVANIE: Nedovoľte, aby ste sa po zoznámení s týmto výrobkom stali neopatrnými. Zapamätajte si, že zlomok sekundy neopatrnosti postačuje na spôsobenie vážneho poranenia.

VAROVANIE: Vždy používajte ochranu zraku s bočnými ochrannými krytmi. Spolu s ochranou sluchu. Ak tak neurobite, môže dôjsť k vymršteniu predmetov do očí a iným možným vážnym zraneniam.

VAROVANIE: Nepoužívajte žiadne prídavné zariadenia alebo príslušenstvo, ktoré nie sú odporúčané výrobcom tohto výrobku. Používanie prídavných zariadení alebo príslušenstva, ktoré nie sú odporúčané, môže viesť k vážnemu zraneniu.

VAROVANIE: Strunovú kosačku používajte s vhodnou rezacou strunou len na kosenie trávy a podobného materiálu.

VAROVANIE: Aby sa zabránilo náhodnému spusteniu, ktoré by mohlo viesť k vážnemu zraneniu, vždy vyberte batériu z nástroja pri montáži dielov, vykonávaní úprav, čistení, alebo keď sa nepoužíva.

Tento výrobok môžete použiť na nižšie uvedené účely:

Kosenie: slúži na odstránenie trávy a buriny pri múroch, plotoch, stromoch a okrajoch.

Rezanie: slúži na kosenie trávy, ktorú je ťažké dosiahnuť za použitia normálnej kosačky.

POZNÁMKA: Nástroj sa musí používať len na predpísané účely. Každé iné použitie, napríklad orezávanie okrajov, sa považuje za prípad zneužitia.

INŠTALÁCIA /ODPOJENIE AKUMULÁTORA

Nabíte pred prvým použitím.

Inštalácia (obr. K)

Zarovnajtie výčnelky na batérii s montážnymi drážkami a zatlačte akumulátor nadol, kým nebudete počuť „cvaknutie“.

Odpojenie (obr. L)

VAROVANIE: Vždy si dávajte pozor na vaše nohy, deti alebo domáce zvieratá okolo vás pri stlačení tlačidla uvoľnenia batérie. Mohlo by dôjsť k vážnemu zraneniu v prípade vypadnutia akumulátora. NIKDY nevyberajte batériu vo vysokej polohe.

Stlačte tlačidlo pre uvoľnenie batérie a vytiahnite ju von.

DRŽANIE STRUNOVEJ KOSAČKY

VAROVANIE: Oblečte sa vhodne pri práci s týmto náradím, aby sa znížilo riziko poranenia. Nenoste šperky alebo voľný odev. Používajte ochranu očí a sluchu. Oblečte si odolné, dlhé nohavice, vysoké topánky a rukavice. Nenoste krátke nohavice, sandále alebo nebudte naboso.

Pred uvedením do prevádzky držte kosačku obomi rukami, jednu ruku na zadnej rukoväti a druhú na prednej pomocnej rukoväti, pričom ruka musí byť rovná (obr. M). Potom si skontrolujte vyvážené postavenie a správnu rezáciu vzdialenosť.

SPUSTENIE / ZASTAVENIE STRUNOVEJ KOSAČKY (obr. N)

Spustenie

Stlačte dole poistnú páčku a podržte ju v tejto polohe. Stlačte vypínač pre zapnutie strunovej kosačky.

Zastavenie

Uvoľnite poistnú páčku a vypínač.

VAROVANIE: Počas pracovných prestávok a po ukončení práce vždy vyberte akumulátor zo strunovej kosačky.

POUŽÍVANIE STRUNOVEJ KOSAČKY

VAROVANIE: Aby nedošlo k vážnemu zraneniu, noszte okuliare alebo ochranné okuliare po celú dobu používania prístroja. Používajte masku alebo masku proti prachu v prašnom prostredí.

Pred každým použitím vyčistíte oblasť, ktorá má byť rezaná. Odstráňte všetky predmety, ako sú kamene, rozbité sklo, klince, drôty alebo šnúry, ktoré môžu byť vymrštené alebo môžu uviaznuť v stroji. Zabráňte prístupu deťom, prítomným osobám a domácim zvieratám. Všetky deti, prizerajúce sa osoby a zvieratá sa musia zdržiavať vo vzdialenosti najmenej 15 metrov; stále ešte môže existovať riziko vymrštenia predmetov na prizerajúce sa osoby. Okolo stojace osoby by mali mať ochranu očí. Ak sa približujú, okamžite zastavte motor a reznú príslušenstvo.

Pred každým použitím skontrolujte, či nie sú poškodené / opotrebované diely

Skontrolujte strunovú hlavu, chránič a prednú pomocnú rukoväť a diely, ktoré sú prasknuté, zdeformované, ohnuté, alebo inak poškodené.

Strunová čepeľ na okraji chrániča sa v priebehu času otupí. Odporúčame, aby ste ju pravidelne prebrúšili pilníkom, alebo ju nahradili za novú čepeľ.

VAROVANIE: Pri montáži alebo ostrení chrániča alebo pri výmene čepele vždy používajte rukavice. Dajte si pozor na ostré hrany na chrániči a chráňte si ruky pred porenaním.

Po každom použití vyčistíte kosačku.

- Používajte iba mydlový roztok a vlhkú handričku na čistenie náradia. Zabráňte preniknutiu akejkoľvek kvapaliny do vnútorných častí náradia; Nikdy neponárajte žiadnu časť náradia do kvapaliny.
- Udržujte vetracie otvory v kryte motora a hriadelí vždy bez nečistôt (obr. O).

Popis dielov na obr. O si pozrite nižšie:

O-1	Vetracie otvory v hriadelí
O-2	Vetracie otvory v kryte motora

VAROVANIE: Prekážky vo vetracích otvoroch bránia prívodu vzduchu do krytu motora, čoho následkom je prehriatie alebo poškodenie motora.

VAROVANIE: Nikdy nepoužívajte vodu na čistenie nožnic. Na čistenie plastových dielov nepoužívajte rozpúšťadlá. Väčšina plastov je náchylná na poškodenie z rôznych typov komerčných rozpúšťadiel. Použite čisté handry na odstránenie nečistôt, prachu, oleja, maziva, atď.

NASTAVENIE DĹŽKY REZNEJ STRUNY

Strunová hlava umožňuje obsluhu predĺžiť rezáciu strunu bez zastavenia motora. Ak sa struna rozstrapká alebo opotrebuje, je možné vysunúť ďalšiu strunu ľahkým poklepaním gombíka hlavy o zem pri používaní kosačky (obr. P).

Pre dosiahnutie najlepších výsledkov klepnite gombík hlavy na holú zem alebo na pevnú pôdu. Ak sa pokúsite o vysunutie struny vo vysokej tráve, motor sa môže prehriať. Vždy majte strunu úplne vytiahnutú. Uvoľnenie struny sa stáva ťažšie, keď sa struna skracuje.

VAROVANIE: Neodstraňujte alebo nemeňte zostavu strunovej rezacej čepele. Nadmerná dĺžka struny môže spôsobiť prehriatie motora a môže dôjsť k vážnemu zraneniu.

PRÁCA S CHRÁNIČOM HLAVY

Chránič hlavy môže obmedziť záber rezacej struny a znížiť riziko poškodenia rotujúcou strunou (obr. Q)

Ak chcete použiť chránič hlavy, zosunite ho dole z jeho servisnej polohy (obr. R).

VAROVANIE: Strunová hlava sa po vypnutí strunovej kosačky môže naďalej krátko otáčať. Pred nastavením chrániča hlavy počkajte, až sa strunová hlava úplne zastaví. Nenastavujte ho nohou.

VÝMENA STRUNY

POZNÁMKA: Vždy používajte štandardnú nylonovú strunu s priemerom najviac Ø2,0 mm.

VAROVANIE: Nikdy nepoužívajte kovom vystuženú strunu, drôty, šnúry atď. Môžu sa odtrhnúť a stať sa nebezpečnými projektilmi.

Existujú dva spôsoby, ako vymeniť rezaciu strunu:

1. Na cievku navíňte novú strunu.
2. Nainštalujte už navinutú cievku (AS1301 je k dispozícii u predajcu, ak je to nutné).

Na cievku navíňte novú strunu

Stlačte dve západky na uvoľnenie cievky zo základne a vytiahnite držiak z cievky (obr. S). Vytiahnite približne 7m novej rezacej struny. Preložte a namotajte ju na cievku ako na obr. T a U. Potom položte konce struny na dva protíahlé zárezy v cievke (obr. V) a cievku umiestnite na jej miesto so zárezmi zarovnanými s pridrznými očkami (viď obr. W). Nakoniec zarovnajete pridrzné drážky s jazýčkami na základni cievky a zatlačte držiak rovnomerne dole tak, aby zapadol na svoje miesto (obr. X).

POZNÁMKA: Pred opätovnou montážou strunovej hlavy vždy vyčistíte držiak cievky, cievku a základňu cievky. Skontrolujte na opotrebovanie držiak cievky, cievku a základňu cievky. Ak je nutné, vymeňte opotrebované diely.

POZNÁMKA: Nesprávne navinutie struny vo vyznačenom smere spôsobí nesprávne fungovanie strunovej hlavy.

SK

Inštalácia už navinutej cievky

Stlačte dve západky na uvoľnenie cievky zo základne a vytiahnite držiak z cievky (obr. S). Potom umiestnite už navinutú cievku do držiaka so zárezmi zarovnanými s pridrznými očkami (viď obr. W). Nakoniec zarovnajete pridrzné drážky s jazýčkami na základni cievky a zatlačte držiak rovnomerne dole tak, aby zapadol na svoje miesto (obr. X).

Popis dielov na obr. W a X si pozrite nižšie:

W-1	Zárez	X-1	Jazýček
W-2	Očko	X-2	Drážka

POZNÁMKA: Zabezpečte, aby jazýčky na základni cievky zaskočili, inak sa cievka uvoľní počas prevádzky.

ÚDRŽBA

VAROVANIE: Pri servise používajte iba identické náhradné diely. Pravidelne kontrolujte a udržiavajte stroj. Pre zaistenie bezpečnosti a spoľahlivosti je nevyhnutné, aby všetky opravy vykonával len kvalifikovaný servisný technik.

VAROVANIE: Nástroje na batérie nemusia byť zapojené do elektrickej zásuvky; preto sú vždy v prevádzkovom stave. Aby nedošlo k vážnemu zraneniu, prijmite osobitné opatrenia a pozornosť pri vykonávaní údržby, opravy alebo výmene rezacieho alebo iného príslušenstva.

VAROVANIE: Aby nedošlo k vážnemu zraneniu, tak pred vykonávaním údržby, čistením, výmenou príslušenstva alebo odstraňovaním materiálu z prístroja vyberte akumulátor z náradia

ČISTENIE PRÍSTROJA

- Výrobok čistíte vlhkou handričkou a jemným saponátom.
- Nepoužívajte žiadne silné čistiace prostriedky na plastovom kryte alebo rukoväti. Môžu byť poškodené určitými aromatickými olejmi, ako je borovica a citrón, a rozpúšťadlami, ako je petrolej. Vlhkosť môže tiež spôsobiť nebezpečenstvo úrazu elektrickým prúdom. Akúkoľvek vlhkosť poutierajte mäkkou a suchou handrou.
- Použite malú kefu alebo vzduch z malého vysávača s kefkou na vyčistenie vetracích otvorov od nečistôt na zadnom kryte.

USKLADNENIE PRÍSTROJA

- Vyberte akumulátor zo strunovej kosačky, keď ju už nepoužívate.
- Pred uložením prístroj dôkladne vyčistite.
- Prístroj skladujte na suchom a dobre vetranom uzamknutom alebo vyvýšenom mieste mimo dosahu detí. Prístroj neskladujte v blízkosti hnojív, benzínu alebo iných chemikálií.

Ochrana životného prostredia



Nevyhadzujte elektrické zariadenia, nabíjačku batérií a batérie / akumulátory do domového odpadu!

Podľa európskej smernice 2012/19/EU elektrické a elektronické zariadenia, ktoré už nie sú použiteľné a podľa európskej smernice 2006/66/EC chybné alebo použité akumulátory / batérie sa musia zhromažďovať oddelene.

Ak sú elektrické spotrebiče likvidované na neorganizovaných skládkach alebo smetiskách, môžu nebezpečné látky unikať do podzemných vôd, dostať sa do potravinového reťazca a poškodzovať zdravie.

VYHLÁSENIE O ZHODE ES

My, EGO EUROPE GMBH

Wahlwiesenstrasse 1, D-71711 Steinheim an der Murr Deutschland

Prehlasujeme, že výrobok **56V lítium-iónová akumulátorová strunová kosačka ST1210E** spĺňa základné požiadavky na ochranu zdravia a bezpečnosť podľa týchto smerníc:

2006/42/ES, 2014/30/EÚ, 2011/65/EÚ, 2000/14/ES

Uvedené normy a technické špecifikácie:

EN 60335-1, EN 50636-2-91, EN 55014-1, EN 55014-2

Nameraná hladina akustického výkonu: 90,76 dB(A).

Garantovaná hladina akustického výkonu: 91 dB(A).

Postup posudzovania zhody prílohy VI je v súlade s 2000/14/ES.

Notifikovaný orgán: Société Nationale de Certification et d'Homologation

Číslo notifikovaného orgánu:0499

Peter Melrose
Výkonný riaditeľ
EGO Europe GmbH

Dong Jianxun
Manažér kvality spoločnosti
Chervon

* (Autorizovaný zástupca pre spoločnosť Chervon a osoba zodpovedná za technickú dokumentáciu)

01/09/2016

SK

ODSTRAŇOVANIE PROBLÉMOV

PROBLÉM	PRÍČINA	RIEŠENIE
Strunová kosačka sa nespustí.	<ul style="list-style-type: none"> ■ Akumulátor nie je pripojený do strunovej kosačky. ■ Žiadny elektrický kontakt medzi kosačkou a batériou. ■ Akumulátor je vybitý. ■ Poistná páčka a spínač nie sú súčasne stlačené. 	<ul style="list-style-type: none"> ■ Pripojte akumulátor do kosačky. ■ Vyberte batériu, skontrolujte kontakty a nainštalujte akumulátor. ■ Nabite akumulátor. ■ Pre zapnutie strunovej kosačky zatlačte poistnú páčku a podržte ju, potom stlačte vypínač.
Strunová kosačka sa zastaví pri kosení.	<ul style="list-style-type: none"> ■ Chránič nie je namontovaný na kosačke, čo spôsobuje príliš dlhý rez a preťaženie motora. ■ Je použitá príliš ťažká struna. ■ Tráva sa namotala na hriadeľ motora alebo hlavu kosačky. ■ Motor je preťažený. ■ Akumulátor alebo strunová kosačka sú príliš horúce. ■ Akumulátor je odpojený od nástroja. ■ Akumulátor je vybitý. 	<ul style="list-style-type: none"> ■ Vyberte akumulátor a namontujte chránič na kosačku. ■ Používajte iba nylonovú rezaciu strunu s priemerom najviac 2,0 mm. ■ Zastavte kosačku, vyberte batériu a odstráňte trávu z hriadeľa motora a hlavy kosačky. ■ Vytiahnite hlavu kosačky z trávy. Motor sa rozbehne, keď sa preťaženie odstráni. Pri kosení pohybuje hlavou kosačky dovnútra a von z trávy tak, aby sa pokosila a odstránila najviac 20 cm dĺžka v jednom reze. ■ Nechajte akumulátor alebo strunovú kosačku vychladnúť, kým teplota neklesne pod 67 ° C. ■ Znovu vložte akumulátor. ■ Nabite akumulátor.
Strunová hlava nevysúva strunu.	<ul style="list-style-type: none"> ■ Tráva sa namotala na hriadeľ motora alebo hlavu kosačky. ■ Na cievke nie je dostatok struny. ■ Strunová hlava je znečistená. ■ Struna je zamotaná na cievke. ■ Struna je príliš krátka. 	<ul style="list-style-type: none"> ■ Zastavte kosačku, vyberte batériu a odstráňte trávu z hriadeľa motora a hlavy kosačky. ■ Vyberte batériu a vymeňte strunu; postupujte podľa časti „VÝMENA STRUNY“ v tomto návode na obsluhu. ■ Vyberte batériu a vyčistite cievku, držiak cievky a základňu cievky. ■ Vyberte batériu a vymeňte strunu; postupujte podľa časti „VÝMENA STRUNY“ v tomto návode na obsluhu. ■ Vyberte batériu a vytiahnite strunu a zároveň striedavo prtláčajte gombík hlavy.

PROBLÉM	PRÍČINA	RIEŠENIE
Tráva obaľuje hlavu kosačky a kryt motora.	<ul style="list-style-type: none">■ Kosenie vysokej trávy na úrovni terénu.	<ul style="list-style-type: none">■ Koste vysokú trávu od zhora nadol, pri každom prechode odstraňujte najviac 20 cm, aby nedošlo k namotaniu.
Struna dobre nekosiť.	<ul style="list-style-type: none">■ Strunová čepeľ na okraji chrániča sa otupila.	<ul style="list-style-type: none">■ Naostríte strunovú čepeľ pilníkom, alebo ju vymeňte za novú čepeľ.

ZÁRUKA

ZÁRUČNÁ POLITIKA EGO

Navštívte webové stránky egopowerplus.com pre úplné podmienky záručnej politiky spoločnosti EGO.

OLVASSA EL AZ ÖSSZES UTASÍTÁST!



**OLVASSA EL A HASZNÁLATI
UTASÍTÁST**

⚠ Maradék kockázat! Az elektronikus készülékekkel, például pacemakerrel, élő emberek a termék használata előtt kérjék ki orvos véleményét. Az elektromos felszerelés a szív pacemakerhez közel való működtetése interferenciát vagy meghibásodást okozhat a pacemakerben.

⚠ FIGYELMEZTETÉS: A biztonságosság és megbízhatóság biztosítása érdekében minden javítást szakképzett szerviztechnikus hajtson végre.

BIZTONSÁGI SZIMBÓLUMOK

A biztonsági szimbólumok célja, hogy felhívják a figyelmet az esetleges veszélyekre. Nagyon figyeljen a biztonsági szimbólumokra és magyarázatokra, ill. ezek megértésére. A szimbólumok figyelmeztetéseit önmagukban nem hárítják el a veszélyeket. Az utasítások és figyelmeztetések nem helyettesítik a megfelelő balesetmegelőző intézkedéseket.

⚠ FIGYELMEZTETÉS: A szerszám használata előtt feltétlenül olvassa el a jelen használati útmutató minden biztonsági utasítását, a „VESZÉLY”, „FIGYELMEZTETÉS” és „FIGYELEM” biztonsági szimbólumokat is. Az alább felsorolt utasítások be nem tartása áramütést, tűzveszélyt és/vagy súlyos személyi sérülést idézhet elő.

SZIMBÓLUM JELENTÉSE

HU

BIZTONSÁGI SZIMBÓLUM: VESZÉLY vagy **FIGYELMEZTETÉS** jelöl. Más szimbólumokkal vagy rajzokkal együtt használható.



⚠ FIGYELMEZTETÉS: Bármely elektromos kéziszerszám működtetése azzal járhat, hogy idegen tárgyak szembe kerülnek, amely súlyos szemsérüléseket okozhat. Az elektromos kéziszerszám működtetése előtt, mindig vegyen fel oldalsó védőlemezzel ellátott védőszemüveget és a teljes védőálarcot, ha szükséges. Javasoljuk, hogy viseljen Wide Vision Safety Mask-ot (védőálarc) a védőszemüveg fölött vagy standard védőszemüveget oldalsó védőlemezzel.

BIZTONSÁGI UTASÍTÁSOK

Ezen az oldalon olyan biztonsági szimbólumok láthatók és olvashatók, amelyek megjelenhetnek a terméken. Az összeszerelés vagy működtetés előtt olvassa el, értse meg és tartsa be a gép minden utasítását.

	Biztonsági figyelmeztetés	Az Ön biztonságát érintő óvintézkedések.
	Olvassa el a használati útmutatót	A sérülések kockázatának csökkentése érdekében a használatnak a termék használata előtt el kell olvasnia, és meg kell értenie a használati útmutatót.
	Viseljen szemvédőt	Mindig viseljen védőszemüveget vagy oldalsó védőlemezzel ellátott védőszemüveget és teljes védőálarcot a termék működtetése közben.
	Viseljen fülvédőt	Mindig viseljen hallásvédőt a termék működtetése közben.
	Vezeték átmérője	A nylon vágószál átmérője
	Vágószélesség	A fűkasza max. vágószélessége
	Ne tegye ki eső hatásának	Ne használja esőben, és hagyja kint, ha esik az eső.
	II. osztályú konstrukció	Kettős szigetelésű szerkezet.
	Tartsa távol a nézelődőket	Ügyeljen arra, hogy más személyek és a háziállatok legalább 15 m távolságban legyenek a motoros láncfűrész használata közben.
	Tartsa távol a nézelődőket	Ügyeljen arra, hogy más személyek és a háziállatok legalább 15 m távolságban legyenek a motoros láncfűrész használata közben.
V	volt	Feszültség

A	amper	Aktuális
Hz	hertz	Frekvencia (ciklusok másodpercenként)
W	watt	Teljesítmény
min	perc	Idő
~	Váltakozó áram	Áram típusa
≡	Egyenáram	Áram típusa vagy jellemzői
n_0	Üresjáratú fordulatszám	Forgási sebesség üresjáraton
... /min	Percenként	Fordulat percenként

- A gép működtetése közben mindig viseljen védőszemüveget és vastagtalpú cipőt.

ÜZEMELTETÉS

- Csak nappali világosságnál vagy megfelelő mesterséges megvilágítás mellett használja a terméket.
- Soha ne üzemeltesse a gépet sérült védőelemekkel vagy pajzsokkal vagy a helyükön lévő védőelemek és pajzsok nélkül.
- A motort csak akkor kapcsolja be, ha a kezei és lábai távol vannak a vágóeszközöktől.
- Mindig húzza ki a gépet a hálózati aljzattól (pl. húzza ki a csatlakozódugót a hálózati aljzattól, vagy távolítsa el az üzemen kívül helyezett készüléket),
 - ha a gépet felügyelet nélkül hagyja;
 - mielőtt megszüntetne egy eltömődést;
 - mielőtt ellenőrzi, tisztítja vagy bármilyen más munkát végez a készüléken.
 - ha idegen tárgyba akadt;
 - ha a termék szokatlan módon elkezd rázkódní.
- Legyen óvatos, nehogy a vágószerszám megsebesítse a kezét vagy lábát.
- Mindig gondoskodjon arról, hogy a szellőzőnyílások hulladéktól mentesek legyenek.

FONTOS BIZTONSÁGI ELŐÍRÁSOK

▲ FIGYELMEZTETÉS: A fűkasza használata közben mindig tartsa be a következő alapvető biztonsági óvintézkedéseket a tűz, áramütés és személyi sérülések kockázatának csökkentése érdekében, a következőket is beleértve:

HASZNÁLAT ELŐTT FIGYELMESEN OLVASSA EL

ŐRIZZE MEG KÉSŐBBI HASZNÁLATRA.

▲ VESZÉLY: Ne hagyatkozzon kizárólag a szerszám áramütés elleni szigetelésére. Az áramütés kockázatának csökkentése érdekében soha ne működtesse a gépet vezetékek vagy kábelek (hálózati stb.) közelében, amelyek elektromos áramot vezethetnek.

▲ FIGYELEM: Használat közben viseljen megfelelő személyes hallásvédőt. Bizonyos körülmények között és használati idő után a termék halláskárosodást okozhat.

GYAKORLÁS

- Körültekintően olvassa el az utasításokat. Ismerje meg a gép szabályozását és helyes használatát.
- Ne engedélyezze a gép használatát gyermekeknek vagy olyan személyeknek, akik nem ismerik ezeket az utasításokat. A helyi rendelkezések korlátozásokat tartalmazhatnak a szerszám működtetőjének életkorára vonatkozóan.
- Ne feledje, hogy a szerszám működtetője a felelős azokért a balesetekért vagy veszélyekért, amelyek más embereket érintenek vagy mások vagyon tárgyait érintik.

ELŐKÉSZÍTÉS

- Soha ne működtesse a gépet, ha emberek, különösen gyermekek, vagy kis állatok vannak a közelben.

KARBANTARTÁS ÉS TÁROLÁS

- Mindig húzza ki a gépet a hálózati aljzattól (pl. húzza ki a csatlakozódugót a hálózati aljzattól, távolítsa el az üzemen kívül helyezett készüléket) karbantartás vagy tisztítás előtt.
- Csak a gyártó által javasolt pótalkatrészeket és tartozékokat használja.
- Rendszeresen ellenőrizze a gépet, és végezzen karbantartást. A gép javítását csak felhatalmazott szerelő végezheti el.
- Gyermekek által hozzá nem férhető helyen tárolja a gépet, amikor nem használja azt.

EGYÉB BIZTONSÁGI FIGYELMEZTETÉSEK

- Kerülje a veszélyes környezetet – Ne használja a fűkaszát nedves vagy vizes helyeken.
- Mindig kapcsolja ki a fűkaszát, vagy vegye ki az akkumulátoregységét, ha felügyelet nélkül hagyja a fűkaszát.
- Ne használja esőben.
- A gyermekeket tartsa távol – Minden vendéget tartson távol a munkaterülettől.
- Megfelelően öltözzön fel – Ne viseljen laza ruházatot vagy ékszereket. Beakadhatnak a mozgó alkatrészekbe. Amikor kint dolgozik, gumikesztyű és megfelelő cipő viselése javasolt. Viseljen védőhálót a hajához, hogy a hosszú hajat fel tudja tűzni.

- Viseljen védőszemüveget – Mindig használjon arc- vagy porvédő maszkot, ha a működetés porral jár.
- Használja a megfelelő készüléket – Ne használja a fűnyírót más munkához, csak amihez készült.
- Ne erőltesse a fűkasztát – jobban és biztonságosabban, sérülések alacsonyabb kockázatával dolgozhat a megadott teljesítményhatárokon belül.
- Ne hajoljon túl – Vegyen fel stabil testhelyzetet, és mindig tartsa meg az egyensúlyát.
- Legyen figyelmes – figyeljen oda arra, amit csinál. Használja a józan esztét. Ne használja a fűkasztát, ha fáradt.
- Ne működtesse a motoros láncfűrész alkohol vagy kábítószer hatása alatt.
- Tartsa a helyén és működőképesen a védőburkolatot.
- A fűkasztát beltéren tárolja – Amikor nem használja a fűkasztát, akkor tárolja beltéren száraz és magas vagy elzárt helyen, az akkumulátoregység ne legyen benne – és tartsa gyermekektől elzárva.
- A fűkasztát óvatosan tartsa karban – A legjobb teljesítmény és a sérülésveszély csökkentése érdekében tartsa tisztán a vágóegységet. Tartsa be a tartozékok cseréjére vonatkozó utasításokat. Tartsa szárazon, tisztán, olajtól és zsírtól mentesen a fogantyúkat.
- Ellenőrizze a sérült alkatrészeket – A fűkasza használata előtt gondosan ellenőrizze a sérült védőburkolatot vagy alkatrészt, hogy megállapítsa, megfelelően működik-e, és a funkciójának megfelelő teljesítményt nyújtja-e. Ellenőrizze a mozgó részek beállítását és rögzítését, vizsgáljon meg minden részt, nem sérült-e, és ellenőrizze, nem állnak-e fenn olyan körülmények, amelyek befolyásolhatják a helyes kezelést. Megfelelő módon javíttassa meg vagy cseréltesse ki egy hivatalos szervizközpontban a sérült védőburkolatot vagy más alkatrészt, ha másként nincs feltüntetve a jelen használati útmutatóban.
- Minden használat előtt tisztítsa meg a nyírandó területet. Távolítsa el minden tárgyat, pl. követ, törött üveget, tüt, vezetéket vagy zsinórt, amely beakadhat a vágóegységbe. Gondoskodjon arról, hogy más személyek és állatok legalább 15 m-re legyenek.
- Mielőtt ismételen használni kezdené a készüléket ütközés után, vizsgálja meg a készüléket elkopás vagy sérülés szempontjából, szükség esetén javíttassa meg.
- Működés közben mindig tartsa stabilan, két kézzel a fűkasztát. Helyezze az ujjait a fogantyúk köré.
- Kerülje a véletlenszerű indítást – Szállítás közben ne legyenek az ujjai a triggeren.
- Ne működtesse a fűkasztát benzines vagy robbanékony környezetben. A készülékben lévő motorok szikrákat képeznek, a szikrák pedig lángra gyúlhatnak.
- A fűkasza sérülése – Ha a fűkasza idegen tárgyhoz ütközik, vagy valamibe beakad, akkor azonnal állítsa le a szerszámot, vegye ki az akkumulátoregységet a fűkaszból, ellenőrizze, hogy nem sérült-e meg, és bármilyen sérülést javítson meg a további működtetés előtt. Ne működtesse törött védőburkolattal vagy orsóval.
- Ha a felszerelés rendellenesen vibrálni kezd, akkor azonnal állítsa le a motort, és vegye ki az akkumulátoregységet a fűkaszból. Azonnal ellenőrizze az okot. A vibráció általánosságban problémára figyelmeztet. A laza fej vibrálhat, megrepedhet, eltörhet vagy lejöhet a fűkaszárról, amely súlyos vagy végzetes sérülést okozhat. Győződjön meg arról, hogy a vágóegység megfelelően van-e rögzítve. Ha a fej rögzítés után kilazul, azonnal cserélje ki. Soha ne használja a fűkasztát laza vágóegységgel.
- Azonnal cserélje ki a repedt, sérült vagy kopott vágófejet, akkor is, ha a sérülés csak felületi repedéseket jelent. Az ilyen alkatrészek nagy sebességen darabokra törhetnek, és súlyos vagy végzetes sérülést okozhatnak.
- Működés közben ellenőrizze a vágóegységet rendszeresen, rövid időközönként, vagy azonnal, ha látható a vágás láthatóan megváltozik.
- Csak az EGO™ által engedélyezett polimer vágószál tartozékokat és olyan vágószálakat használjon, amelyek ehhez a szerszámhoz készültek. Még ha néhány nem engedélyezett tartozék meg is felel az EGOTM fűkaszához, a használatuk rendkívül veszélyes lehet, és/ vagy megrongálhatja a szerszámot.
- A súlyos sérülések kockázatának csökkentése érdekében soha ne használjon vezetéket vagy fémmel merevített zsinórt vagy más anyagot a nylon vágószál helyett. A zsinór darabjai letörhetnek, nagy sebességnél a kezelő vagy a nézelődők felé repülhetnek.
- A fűkasza feletti uralmának elvesztése miatt okozott sérülések kockázatának csökkentése érdekében soha ne dolgozzon létrán vagy más nem biztonságos támasztékon. Soha ne tartsa a vágóegységet derékmagasságon felül.
- Amennyiben olyan helyzet adódik, amely nem szerepel a jelen használati útmutatóban, akkor óvatosan és kellő mérlegeléssel cselekedjen. Forduljon az EGO szervizközponthoz segítségért.
- Ne töltsé az akkumulátoregységet esőben vagy nedves helyiségekben.
- Csak a lent felsorolt akkumulátoregységeket és töltőket használja:

AKKUMULÁTOREGYSÉG	TÖLTŐ
BA1120E, BA2240E, BA2800, BA3360, BA4200	CH5500E, CH2100E

- Az akkumulátoregységet ki kell venni, mielőtt kiselejtezi a készüléket.
- Az akkumulátort biztonságosan kell ártalmatlanítani.
- Az akkumulátorokat tűzbe dobni tilos! Az akkumulátorok felrobbanhatnak. Ellenőrizze a lehetséges speciális ártalmatlanítási utasítások helyi kódját.
- Ne nyissa ki, és ne rongálja meg az akkumulátort. A felszabaduló elektrolit maró hatású, és sérülést okozhat a szemben vagy a bőrön. Lenyelve mérgező lehet.
- Bánjon nagyon óvatosan az akkumulátorokkal, hogy ne zárja rövidre olyan vezetőképes anyagokkal, mint a gyűrűk, karkötők és kulcsok. Az akkumulátor vagy a konduktor túlmelegedhet, és égési sérülést okozhat.
- Javításkor használjon azonos EGOTM pótalkatrészeket. Bármilyen másik tartozék vagy alkatrész használata megnöveli a sérülések kockázatát.
- Az akkumulátorral működő szerszámokat nem kell hálózati aljzathoz csatlakoztatni; ezért mindig működőképés állapotban vannak. Ügyeljen a lehetséges veszélyekre, akkor is, ha a szerszám nem működik. Legyen óvatos karbantartás és szervizelés közben.
- Ne mossa tömlővel; ne kerüljön víz a motorba és az elektromos csatlakozásokba.
- Őrizz meg ezeket az utasításokat. Időnként olvassa át, és használja, amikor másokat a kéziszerszám használatára tanít be. Ha valakinek kölcsön adja a szerszámot, akkor adja át a használati utasítást is a helytelen használat és lehetséges sérülések elkerülése érdekében.
- Mindig viseljen megfelelő lábbelit és hosszúszáru nadrágot a gép üzemeltetése közben.
- Mindig ügyeljen a testhelyzetére lejtőkön, és sétáljon, soha ne fusson.

ŐRIZZE MEG EZEKET AZ UTASÍTÁSOKAT!

MŰSZAKI ADATOK

Voltaaj	56 V	
Turajtje la mers în gol	7000 /perc	
Vágómechanizmus	Ütköző fej	
Vágószál típusa	AL0800 Ø 2,0 mm nylon kerek vágószál	
Vágósszélesség	30 cm	
Súly (akkumulátoregység nélkül)	2,85 kg	
Mért hangteljesítményszint L_{WA}	90,76 dB(A) K = 2,5 dB(A)	
Nivel de presiune sonoră la urechea operatorului L_{PA}	75,0 dB(A) K = 2,5 dB(A)	
Nivel de putere sonoră garantat LWA(măsurat în conformitate cu 2000/14/CE)	91 dB(A)	
Vibrații a_h	Hátsó fogantyú	3,279 m/s ² K= 1,5 m/s ²
	Elülső fogantyú	4,915 m/s ² K= 1,5 m/s ²

- Valoarea totală declarată a vibrațiilor a fost măsurată în conformitate cu o metodă standard de testare și poate fi utilizată pentru compararea sculelor între ele;
- Valoarea totală declarată poate fi utilizată în evaluarea preliminară a expunerii.

OBSERVAȚIE: Vibrațiile emise în timpul utilizării efective a sculei electrice pot diferi față de valoarea celor declarate pentru scula utilizată; Pentru protejarea operatorului, utilizatorul trebuie să poarte mănuși și protecții auditive în timpul utilizării efective a produsului.

HU

CONȚINUTUL AMBALAJULUI

DENUMIRE PIESĂ	CANTITATE
Fúkasza	1
Védőburkolat	1
Elülső segédfofogyantú összeszerelése	1
M5 imbuszkulcs	1
Manual de instrucțiuni	1

DESCRIERE

DESCRIEREA TRIMMERULUI (Fig. A)

1. Trigger
2. Hátsó fogantyú
3. Kikapcsoló kar
4. Puha hengerfej
5. Beállítható elülső segédfogantyú
6. Tengely
7. Védő ütköző
8. Ütköző gomb
9. Ütköző fej (vágófej)
10. Védőburkolat
11. Vágópenge
12. Kioldó mechanizmus
13. Elektromos csatlakozások
14. Zár
15. Akkumulátor kioldógomb

ÖSSZESZERELÉS

⚠ FIGYELMEZTETÉS: Ha bármely alkatrész sérült vagy hiányzik, akkor ne működtesse a terméket, amíg az alkatrészeket ki nem cserélik. Sérült vagy hiányzó alkatrészekkel való használat súlyos személyes sérülést okozhat.

⚠ FIGYELMEZTETÉS: Ne próbálja megváltoztatni a fűkaszázt, és ne készítsen hozzá tartozékokat, amelyek nem javasoltak ehhez a láncfűrészhöz. Bármilyen módosítás vagy változtatás helytelen használatnak minősül, és veszélyes feltételeket teremthet, amelyek súlyos személyi sérüléssel végződhetnek.

⚠ FIGYELMEZTETÉS: A véletlenszerű indítás elkerülése érdekében, amely súlyos személyi sérülést okozhat, mindig vegye ki az akkumulátoregységet a szerszámból, amikor összeszereli az alkatrészeket.

A VÉDŐBURKOLAT ÖSSZESZERELÉSE (B, C és D ábra)

⚠ FIGYELMEZTETÉS: Mindig viseljen kesztyűt, amikor felszereli vagy kicsereéli a védőburkolatot. Legyen óvatos a védőburkolat alatti pengével, és óvja a kezét vágástól.

⚠ FIGYELMEZTETÉS: Soha ne működtesse a szerszámot, ha a védőburkolat nincs megfelelően a helyén. A védőburkolatnak mindig a szerszámon kell lennie a

használat védelme érdekében! Ha a védőburkolat rögzítve van, akkor soha ne próbálja meg eltávolítani, ha ki kell cserélni, akkor azt szakképzett szerviztechnikus végezze!

Fordítsa fel a fűkasza fejét, és távolítsa el a két csavart. Majd illeszze a védőburkolat vázát a burkolat nyílásaiba, tolja a védőburkolatot a helyére, és rögzítse a két csavarral. Ellenőrizze, hogy a védőburkolat belső felülete a fűkasza feje felé nézzen.

AZ ELÜLSŐ SEGÉDFOGANTYÚ FELSZERELÉSE ÉS BEÁLLÍTÁSA

Nyomja meg az első segédfogantyút a tengelyre (F ábra), majd helyezze a rögzítőkapcsot a fogantyú nyílásába (G ábra), szerelje fel a rögzítőrudat, és rögzítse a szárnyas anyával (H ábra). A sorrend az E ábrán látható. Végül állítsa az első segédfogantyút helyzetbe, hogy az elülső kar egyenes legyen, amikor a fűkaszázt használja (I ábra), majd rögzítse a rögzítőrúd karját (J ábra).

Az E és I ábra alkatrészeinek leírását lásd lent:

E-1	Elülső segédfogantyú	E-4	Szárnyas anya
E-2	Rögzítőrúd	I-1	Karmantyú
E-3	Rögzítőkapocs	I-2	Figyelmeztető címke

⚠ MEGJEGYZÉS: Az elülső segédfogantyút felfelé kell fordítani, hogy a fogantyú teteje felé mutasson.

⚠ FIGYELMEZTETÉS: Csak az elülső segédfogantyút rögzítse a tengelyen lévő karmantyúval szemben.

⚠ FIGYELMEZTETÉS: A szerszám nem használható a megfelelően rögzített elülső segédfogantyú nélkül.

MŰKÖDTETÉS

⚠ FIGYELMEZTETÉS: Ne hagyja, hogy a termékkel szerzett jártassága miatt óvatlanná váljon. Emlékezzon arra, hogy a másodperc töredéke alatt történő óvatlanság súlyos sérülést okozhat.

⚠ FIGYELMEZTETÉS: Mindig viseljen oldalsó védőölemezsel ellátott védőszemüveget. Hallásvédővel együtt. Amennyiben nem ezt teszi, tárgyak repülhetnek a szemébe, és más komoly sérülések keletkezhetnek.

⚠ FIGYELMEZTETÉS: Ne használjon a gyártó által nem javasolt tartozékokat a termékhez. A nem javasolt tartozékok használata súlyos személyes sérülést okozhat.

⚠ FIGYELMEZTETÉS: A megfelelő vágószállal felszerelt fűkaszázt csak fű és hasonló anyagok vágására használja.

▲ FIGYELMEZTETÉS: A véletlenszerű indítás elkerülése érdekében, amely súlyos személyi sérülést okozhat, mindig vegye ki az akkumulátoregységet a szerszámból, amikor összeszereli az alkatrészeket, beállításokat, tisztítást végez, vagy amikor nem használja..

A terméket az alábbi célokra használhatja:

Nyesés: a falak, kerítések, fák és szegélyek tövében lévő fű vágására használja.

Vágás: Olyan fű vágására használja, amelyet a normál fűnyíró nehezen érne el.

MEGJEGYZÉS: A szerszámot csak az előírt célokra használja. Bármilyen más használat, például szélek vágása, helytelen használatnak minősül.

AZ AKKUMULÁTOREGYSÉG BEHELYEZÉSE/ KIVÉTELE

Az első használat előtt teljesen töltsé fel.

Csatlakoztatás (K ábra)

Illessze az akkumulátor vázát az akkumulátorban lévő szerelőnyíláshoz, és nyomja le az akkumulátoregységet, amíg kattánást nem hall.

Kivétel (L ábra)

▲ FIGYELMEZTETÉS: Mindig ügyeljen a lábára, a gyermekekre vagy kis állatokra maga körül, amikor megnyomja az akkumulátoregység kioldógombot. Súlyos sérülést okozhat, ha az akkumulátoregység kiesik. SOHA ne vegye ki az akkumulátoregységet magas helyen.

Oldja ki az akkumulátor kioldógombot, és húzza ki az akkumulátoregységet.

FŰKASZA TARTÁSA

▲ FIGYELMEZTETÉS: Megfelelően öltözzön fel a sérülések kockázatának csökkentése érdekében, amikor a szerszámot működteti. Ne viseljen laza ruházatot vagy ékszereket. Viseljen védőszemüveget és fülvédőt; Viseljen erős, hosszú szárú nadrágot, cipőt és kesztyűt. Ne viseljen rövidnadrágot, szandált, és ne járjon meztláb.

Működtetés előtt tartsa a fűkaszálót két kézzel, az egyik kezével a hátsó fogantyút, a másik kezével az első segédfogantyút fogja egyenesen (M ábra). Majd ügyeljen a kiegyensúlyozott testhelyzetre és megfelelő vágási távolságra.

A FŰKASZA INDÍTÁSA/LEÁLLÍTÁSA (N ábra)

Indítás

Nyomja meg és tartsa lenyomva a kapcsoló gombot, és tartsa ebben a pozícióban. Nyomja meg a triggert a fűkasza bekapcsolásához.

Leállítás

Oldja ki a kapcsoló gombot és a triggert.

▲ FIGYELMEZTETÉS: Mindig vegye ki az akkumulátoregységet a fűkaszából, ha megszakítja a munkát, és a munka elvégzése után.

SÖVÉNYNYÍRÓ TARTÁSA

▲ FIGYELMEZTETÉS: A súlyos személyi sérülések elkerülése érdekében mindig viseljen védőszemüveget az egység működtetésekor. Viseljen arc- vagy porvédő maszkot poros körülmények között.

Minden használat előtt tisztítsa meg a nyírandó területet. Távolítson el minden tárgyat, pl. követ, törött üveget, tűt, vezetékelt vagy zsinórt, amely beakadhat a vágóegységbe. A területen ne legyenek gyermekek, nézelődők vagy állatok. Minden nézelődő, gyermek és állat legalább 15 m távolságban legyen; még így fennáll a veszélye, hogy tárgyak repülnek a nézelődők felé. A nézelődők is viseljenek védőszemüveget. Amikor Ön felé közeledik valaki, azonnal állítsa le a motort és a vágóegységet.

A sérült/kopott alkatrészek ellenőrzése minden használat előtt

Ellenőrizze az ütköző fejet, védőburkolatot és első segédfogantyút, és cserélje ki a repedt, behajlott vagy sérült alkatrészeket.

A védőburkolat szélén lévő vágópengé egy idő után tompa lehet. Javasoljuk, hogy időnként élezze meg reszelővel, vagy cserélje ki új pengére.

▲ FIGYELMEZTETÉS: Mindig viseljen kesztyűt, amikor felszereli a védőburkolatot, vagy kicseréli a pengét. Legyen óvatos a védőburkolat alatti pengével, és óvja a kezét vágástól.

Minden használat után tisztítsa meg a fűkaszát.

- A szerszám tisztítását csak kimélő szappannal és nedves ruhával végezze. Soha ne hagyja, hogy bármilyen folyadék a szerszámba kerüljön, soha ne merítse vízbe a szerszám egyetlen alkatrészét sem.
- A motorházon és tengelyen lévő szellőzőnyílásokat tartsa szennyeződésektől mentesen (O ábra).

Az O ábra alkatrészeinek leírását lásd lent:

O-1	Tengelyen lévő szellőzőnyílás
O-2	Motorházon lévő szellőzőnyílás

▲ FIGYELEM: A szellőzőnyílásokban lévő akadályok megakadályozzák, hogy levegő áramoljon a motorházba, így a motor megsérülhet vagy túlmelegedhet.

▲ FIGYELMEZTETÉS: Soha ne használjon vizet a sövénynyíró tisztításhoz. A műanyag alkatrészek tisztításához ne használjon oldószereket. A legtöbb műanyag a vegyi oldószerek által deformálódás általi sérülésnek van kitéve. Használjon tiszta ruhát a szennyeződés, por, olaj, zsír stb. eltávolításához.

A VÁGÁS HOSSZÁNAK BEÁLLÍTÁSA

Az ütközőfej lehetővé teszi a kezelőnek, hogy a motor beállítása nélkül oldjon ki vágószálat. Ha a szál kopott vagy elhasználódott, akkor kiegészítő szál oldható ki, ha enyhén megnyomja az ütköző gombot a fúkasza működése közben (P ábra).

A legjobb eredmény elérése érdekében az ütköző gombot sima talajon vagy kemény alapon nyomja meg. Ha a szálát magas fűben engedi ki, akkor a motor túlmelegszik. Mindig tartsa a vágószálat teljesen kifeszítve. A vágószál kioldása egyre nehezebb, ha a vágószál rövidebb lesz.

▲ FIGYELMEZTETÉS: Ne távolítsa el, és ne változtassa meg a vágóegységet. A felesleges hossz miatt a motor túlmelegszik, amely súlyos sérülést okozhat.

MUNKA VÉDŐÜTKÖZŐVEL

A védőütköző korlátozhatja a vágószál vágási tartományát, és csökkenti a forgó vágószál által okozott sérüléseket (Q ábra).

A védőütköző használatához hajtja le a tárolási pozícióból (R ábra).

▲ FIGYELMEZTETÉS: Az ütközőfej a fúkasza kikapcsolása után rövid ideig még froghat. Várjon, amíg az ütközőfej teljesen leáll, mielőtt beállítja a védőütközőt. Ne állítsa be a lábával.

VÁGÓSZÁL CSERÉJE

MEGJEGYZÉS: Mindig használjon standard nylon vágószálat, legfeljebb Ø 2,0 mm átmérővel.

▲ FIGYELMEZTETÉS: Soha ne használjon fémmel merevített szálat, zsinórt, vezetékét stb. Ezek eltörhetnek, és veszélyesek lehetnek a szétröppelő részek miatt.

A vágószál kétféleképpen cserélhető ki:

1. Tekerjen új vágószálat az orsóra.
2. Helyezze fel az előre feltekert orsót (AS1301, ha szükséges, elérhető a kereskedőnél).

Új vágószál feltekerése az orsóra

Nyomja meg a két kioldógombot az orsón, és húzza ki az orsó rögzítőelemét (S ábra). Vegyen ki körülbelül 7 m új vágószálat. Akassza be, majd tekerje fel az orsóra a T és U ábrán látható módon. Majd helyezze a szál végeit az orsó két szemközti lévő hornyába (V ábra), és helyezze az orsót a rögzítőelembe, a hornyok a rögzítőelem fűzőlyukaiba illeszkedjenek (W ábra). Végül illessze a rögzítőelem nyílásait az orsó gombjaihoz, és nyomja le a rögzítőelemet, hogy a helyére kattanjon (X ábra).

MEGJEGYZÉS: Mindig tisztítsa meg az orsó rögzítőelemét, orsóját és orsó talpát, mielőtt visszaszereli a fúkasza fejre. Ellenőrizze az orsó rögzítőelemét, orsóját és orsó talpát, hogy nem kopott-e. Szükség esetén cserélje ki az elhasznált alkatrészeket.

MEGJEGYZÉS: Ha a szálát nem a megadott irányba tekeri, akkor a fúkasza fej nem fog megfelelően működni.

Előre feltekert orsó felhelyezése

Nyomja meg a két kioldógombot az orsón, és húzza ki az orsó rögzítőelemét (S ábra). Majd helyezze az előre feltekert orsót a rögzítőelembe, a hornyok a rögzítőelem fűzőlyukaiba illeszkedjenek (W ábra). Végül illessze a rögzítőelem nyílásait az orsó gombjaihoz, és nyomja le a rögzítőelemet, hogy a helyére kattanjon (X ábra).

A W és X ábra alkatrészeinek leírását lásd lent:

W-1	Bevágás	X-1	Tab
W-2	Kémlelőnyílás	X-2	Nyílás

MEGJEGYZÉS: Ellenőrizze, hogy az orsó talp gombjai a helyükre kattanjanak, különben az orsó ki fog jönni működés közben.

KARBANTARTÁS

▲ FIGYELMEZTETÉS: Javitáskor használjon azonos pótalkatrészeket. Más alkatrészek használata veszélyt okozhat, vagy megrongálhatja a terméket. A biztonságosság és megbízhatóság biztosítása érdekében minden javítást szakképzett szerviztechnikus hajtson végre.

▲ FIGYELMEZTETÉS: Az akkumulátorral működő szerszámokat nem kell hálózati aljzathoz csatlakoztatni; ezért mindig működőképés állapotban vannak. A súlyos személyi sérülések elkerülése érdekében legyen rendkívül óvatos, amikor karbantartást, szervizelést végez, vagy kicseréli a vágóegységet vagy más alkatrészeket.

▲ FIGYELMEZTETÉS: A súlyos személyi sérülések elkerülése érdekében távolítsa el az akkumulátoregységet a szerszámból szervizelés, tisztítás, tartozékok cseréje vagy anyagok szerszámból való eltávolítása közben.

AZ EGYSÉG TISZTÍTÁSA

- Nedves törleruhával és enyhe tisztítószerrel tisztítsa meg az egységet.
- Ne használjon erős tisztítószereket a műanyag burkolaton vagy a fogantyún. Ezek megsérülhetnek a különböző aromaolajaktól, pl. fenyő vagy citrom, és az olyan oldószerektől, mint a kerozin. A nedvesség szintén áramütés veszélyét okozhatja. A nedvességet egy puha, száraz törleruhával törölje le.
- Használjon kis kefét vagy kis porszívó kefét a szellőzőnyílásoknak a hátsó burkolaton lévő akadályoktól való megtisztításához.

AZ EGYSÉG TÁROLÁSA

- Vegye ki az akkumulátoregységet a fűkaszából, amikor nem használja.
- Tárolás előtt alaposan tisztítsa meg a szerszámot.
- Az egységet száraz, jól szellőző, elzárt vagy magas helyen tárolja, ahol gyermekek nem érik el. Ne tárolja az egységet benzin vagy más vegyszerek mellett.

A környezet védelme



Ne dobja az elektromos felszerelést, az akkumulátor töltőt és az akkumulátorokat/újratölthető akkumulátorokat a háztartási hulladékok közé!

Az elektromos és elektronikus berendezések hulladékairól szóló 2012/19/EU európai törvény, amely már nincs érvényben, és az 2006/66/EK európai törvény értelmében a sérült vagy elhasznált akkumulátoregységeket/akkumulátorokat külön kell gyűjteni.

Ha az elektromos berendezéseket talajfeltöltési vagy árokbetömési célokra használják, olyan veszélyes anyagok kerülhetnek belőlük a talajvizbe, majd onnan a táplálkozási láncba, amelyek veszélyeztetik az egészséget.

EK MEGFELELŐSÉGI NYILATKOZAT

Mi, az EGO EUROPE GMBH

Wahlwiesenstrasse 1, D-71711 Steinheim an der Murr
Deutschland

Kijelentjük, hogy az **ST1210E 56 V-os VEZETÉK NÉLKÜLI LÍTIUM-ION MOTOROS LÁNCFŰRÉSZ** megfelel a következő irányelvekben előírt egészségügyi és biztonsági követelményeknek:

2006/42/EC, 2014/30/EC, 2011/65/EU, 2000/14/EC

A standardokat és műszaki adatokat itt nézheti meg:

EN 60335-1, EN 50636-2-91, EN 55014-1, EN 55014-2

Mért hangteljesítményszint 90,76 dB(A).

Garantált hangteljesítményszint: 91 dB(A).

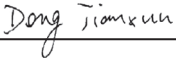
A VI melléklet szerinti megfelelésértékelési eljárás a 2000/14/EK szerint betartva.

Bejelentő szervezet: Société Nationale de Certification et d'Homologation

Bejelentő szervezet száma: 0499



Peter Melrose
Az EGO Europe GmbH
ügyvezető igazgatója



Dong Jianxun
Chervon minőségbiztosítási vezetője

* (A CHERVON felhatalmazott képviselője és a műszaki dokumentáció felelőse)

01/09/2016

HIBAELHÁRÍTÁS

PROBLÉMA	A PROBLÉMA OKA	MEGOLDÁS
A fűkasza nem indul.	<ul style="list-style-type: none"> ■ Az akkumulátoregység nincs csatlakoztatva a fűkaszához. ■ Nincs elektromos kapcsolat a sövénynyíró és az akkumulátor között. ■ Az akkumulátoregység lemerült. ■ A kapcsoló gomb és a trigger nem egyidejűleg van megnyomva. 	<ul style="list-style-type: none"> ■ Csatlakoztassa az akkumulátoregységet a fűkaszához. ■ Vegye ki az akkumulátoregységet, ellenőrizze a csatlakozást, és helyezze vissza az akkumulátoregységet. ■ Töltse fel az akkumulátoregységet. ■ Nyomja meg és tartsa lenyomva a kapcsoló gombot, majd oldja ki a triggerrel a fűkasza bekapcsolásához.
A fűkasza vágás közben leáll.	<ul style="list-style-type: none"> ■ A védőburkolat nincs felszerelve a fűkaszára, amely révén a vágószál túl hosszú, és a motor túlterhelt. ■ Használjon nagy teherbírású vágószálat. ■ A motor tengely vagy fűkasza fej beakadt a fűbe. ■ A motor túlterhelt ■ Az akkumulátoregység vagy a fűkasza túl forró. ■ Az akkumulátoregység ki van véve a szerszámból. ■ Az akkumulátoregység lemerült. 	<ul style="list-style-type: none"> ■ Vegye ki az akkumulátoregységet, és szerelje fel a védőburkolatot a fűkaszára. ■ Csak legfeljebb Ø 2,0 mm vagy kisebb átmérőjű nylon vágószálat használjon. ■ Állítsa le a fűkaszt, vegye ki az akkumulátort, és távolítsa el a fűvet a motor tengelyről és fűkasza fejről. ■ Távolítsa el a fűvet a fűkasza fejről. A motor újra működőképes, ha a terhet eltávolítja. Vágás közben a fűkasza fejet oda-vissza mozgassa a vágandó fűvön, és 20 cm-nél hosszabb fűvet ne vágjon egy vágással. ■ Hűtse le az akkumulátoregységet vagy a fűkaszt 67 °C alatti hőmérsékletre. ■ Helyezze vissza az akkumulátoregységet. ■ Töltse fel az akkumulátoregységet.

PROBLÉMA	A PROBLÉMA OKA	MEGOLDÁS
A fűkasza fej nem enged ki a szálát.	<ul style="list-style-type: none"> ■ A motor tengely vagy fűkasza fej beakadt a fűbe. ■ Nincs elég szál az orsón. ■ A fűkasza fej piszkos. ■ A szál összegabalyodott az orsón. ■ A szál túl rövid. 	<ul style="list-style-type: none"> ■ Állítsa le a fűkaszáat, vegye ki az akkumulátort, és távolítsa el a fűvet a motor tengelyről és fűkasza fejről. ■ Vegye ki az akkumulátort, és cserélje ki a vágószálát; kövesse a jelen használati útmutató „VÁGÓSZÁL CSERÉJE” fejezetet. ■ Vegye ki az akkumulátort, és tisztítsa meg az orsó rögzítőelemét, orsót és orsó talpát. ■ Vegye ki az akkumulátort, és vegye ki a vágószálát az orsóból, és tekerjen fel újat; kövesse a jelen használati útmutató „VÁGÓSZÁL CSERÉJE” fejezetet. ■ Vegye ki az akkumulátort, és húzza ki a szálát, közben nyomja le, és oldja ki az ütköző gombot.
Fű tekeredett a fűkasza fejre és motorházra.	<ul style="list-style-type: none"> ■ Magas fűvet talajhoz közel vág. 	<ul style="list-style-type: none"> ■ A magas fűvet felülről vágja, egyszerre 20 cm-nél többet ne vágjon, így elkerüli a feltekeredést.
A vágószál nem vág rendszeren.	<ul style="list-style-type: none"> ■ A védőburkolat szélén lévő vágópenge egy tompává vált. 	<ul style="list-style-type: none"> ■ Élezze meg a vágópengét reszelővel, vagy cserélje ki új pengére.

GARANCIA

EGO GARANCIÁLIS FELTÉTELEK

Kérjük, látogasson el az egopowerplus.com oldalra, ahol megtalálja a részletes EGO garanciális feltételeket.

CITIȚI TOATE INSTRUCȚIUNILE!



CITIȚI ȘI ÎNȚELEGEȚI MANUALUL DE INSTRUCȚIUNI

⚠ Riscuri reziduale! Persoanele cu dispozitive electronice precum stimulatoare cardiace ar trebui să-și consulte medicul (medicii) înainte de a utiliza acest produs. Utilizarea unui echipament electric în imediata apropiere a unui stimulator cardiac poate cauza interferențe sau pana stimulatorului.

⚠ AVERTISMENT: Pentru siguranța și fiabilitatea produsului, toate reparațiile ar trebui efectuate de către un tehnician de service autorizat.

SYMBOLURI PRIVIND SIGURANȚA

Scopul simbolurilor privind siguranța este să vă atragă atenția asupra pericolelor posibile. Simbolurile privind siguranța și explicațiile furnizate cu acestea merită atenția și înțelegerea dumneavoastră. Simbolurile de avertizare, ele singure, nu elimină niciun pericol. Instrucțiunile și avertismentele pe care le oferă nu pot înlocui măsurile corecte de prevenire a accidentelor.

⚠ AVERTISMENT: Asigurați-vă că ați citit și înțelegiți toate instrucțiunile privind siguranța din acest Manual de utilizare, inclusiv toate simbolurile de alertă privind siguranța precum **"PERICOL," "AVERTISMENT,"** și **"ATENȚIE"** înainte de a utiliza această sculă. Nerespectarea tuturor avertismentelor și instrucțiunilor poate duce la electrocutare, incendiu și/sau răniri grave.

SEMNIFICAȚIA SIMBOLURILOR

RO

SIMBOL DE AVERTIZARE PRIVIND SIGURANȚA:

Indică **PERICOL,** **AVERTISMENT,** sau **ATENȚIE.** Poate fi utilizat împreună cu alte avertismente sau pictograme.



⚠ AVERTISMENT: Operarea oricăror scule electrice poate rezulta în proiectarea înspre ochii dumneavoastră a unor obiecte străine, ceea ce poate duce la vătămări grave ale ochilor. Înainte de a începe să utilizați scula electrică, întotdeauna purtați ochelari de protecție cu apărători laterale și vizieră facială completă când este nevoie. Vă recomandăm să purtați o Vizieră lată de protecție peste ochelarii de vedere sau ochelari de protecție standard cu apărători laterale.

INSTRUCȚIUNI PRIVIND SIGURANȚA

Această pagină descrie simbolurile de siguranță ce pot apărea pe acest produs. Citiți, înțelegeți, și respectați toate instrucțiunile de pe mașină înainte de asamblare și operare.

	Alertă privind siguranța	Precauții care implică siguranța dumneavoastră.
	Citiți manualul de instrucțiuni	Pentru a reduce riscul de rănire, utilizatorul trebuie să citească și să înțeleagă manualul de instrucțiuni înainte de a utiliza acest produs.
	Purtați echipament de protecție oculară	Purtați întotdeauna ochelari de protecție sau ochelari de protecție cu apărători laterale și o vizieră facială completă când utilizați acest produs.
	Purtați echipament de protecție auditivă	Purtați întotdeauna echipament de protecție auditivă când utilizați această sculă.
	Diametrul firului	Diametrul firului de tăiere din nailon
	Lățime de tăiere	Lățimea maximă de tăiere a trimmerului cu fir
	A nu se expune la ploaie	Nu utilizați acest produs în ploaie și nu-l lăsați în exterior în timp ce plouă.
	Produs cu structură de clasă II	Structură cu izolație dublă.
	Țineți trecătorii la distanță	Asigurați-vă că terți și animalele de companie se află o distanță de cel puțin 15m de trimmerul cu fir când acesta este în funcțiune.
	Țineți trecătorii la distanță	Asigurați-vă că terți și animalele de companie se află o distanță de cel puțin 15m de trimmerul cu fir când acesta este în funcțiune.
V	Volt	Voltaj

A	Amperi	Rezistență
Hz	Hertz	Frecvență (cicluri pe secundă)
W	Watt	Putere
min	Minute	Durată
	Curent alternativ	Tip de curent
	Curent continuu	Tip sau o caracteristică a curentului
n_0	Turație de mers în gol	Turație de mers în gol
... /min	Pe minut	Revoluții pe minut

INSTRUCȚIUNI IMPORTANTE PRIVIND SIGURANȚA

⚠️ AVERTISMENT: Când utilizați trimmere cu fir, trebuie să se respecte întotdeauna instrucțiunile de bază privind securitatea, inclusiv următoarele, pentru a se reduce riscul de incendiu, șoc electric și vătămare.

CITIȚI CU ATENȚIE ÎNAINTE DE UTILIZARE

PĂSTRAȚI PENTRU CONSULTARE ULTERIOARĂ

⚠️ PERICOL: Nu vă bazați pe izolația electrică a sculei împotriva electroșocurilor. Pentru a reduce riscul de electrocutare nu utilizați niciodată mașina în vecinătatea firelor sau cablurilor (electrice, etc.) care ar putea transporta curent electric.

⚠️ ATENȚIE: Purtați protecție personală auditivă adecvată în timpul utilizării. În anumite condiții și durate de utilizare, zgomotul de la acest produs poate contribui la pierderea auzului.

INSTRUIREA

- Citiți cu atenție instrucțiunile. Familiarizați-vă cu comenzile și cu utilizarea corectă a mașinii.
- Nu permiteți copiilor, persoanelor cu capacități fizice, senzoriale sau mentale reduse ori lipsite de experiență și cunoștințe sau persoanelor nefamiliarizate cu aceste instrucțiuni să utilizeze mașina.
- Rețineți că operatorul sau utilizatorul este responsabil de accidente sau pericolele la care sunt supuse alte persoane sau bunurile acestora.

PREGĂTIREA

- Nu utilizați niciodată mașina în timp ce sunt oameni, mai ales copii, sau animale în apropiere.
- Purtați în permanență echipament de protecție oculară și încălțăminte rezistentă când utilizați mașina.

UTILIZAREA

- Utilizați mașina numai pe timp de zi sau în condiții de lumină artificială bună.
- Nu puneți niciodată mașina în funcțiune cu apărătorile sau scuturile deteriorate sau fără apărători ori scuturi montate pe poziție.
- Porniți motorul numai atunci când mâinile și picioarele sunt la distanță de elementele de tăiere.
- Întotdeauna deconectați mașina de la alimentare (de ex. scoateți ștecherul din priză sau îndepărtați dispozitivul de dezactivare).
 - de fiecare dată când lăsați mașina nesupravegheată;
 - înainte de eliminarea unui blocaj;
 - înainte de verificarea, curățarea sau orice intervenție adusă mașinii,
 - după lovirea unui obiect străin;
 - ori de câte ori mașina începe să vibreze anormal.
- Feriți-vă de rănirea mâinilor și a picioarelor cu elementele de tăiere.
- Asigurați-vă întotdeauna că fantele de aerisire nu sunt blocate de reziduurii.

ÎNȚREȚINEREA ȘI DEPOZITAREA

- Deconectați mașina de la alimentare (de ex. scoateți ștecherul din priză, îndepărtați dispozitivul de dezactivare) înainte de a efectua orice lucrări de întreținere sau curățare.
- Utilizați numai piese de schimb și accesorii recomandate de producător.
- Inspectați și efectuați întreținerea mașinii cu regularitate. Dați aparatul la reparat numai unui reparator autorizat.
- Când nu este utilizată, nu lăsați mașina la îndemâna copiilor.

AVERTIZĂRI SUPLIMENTARE DE SIGURANȚĂ

- Evitați mediile periculoase - Nu utilizați trimmere de tuns iarba în locuri cu umezeală sau ude.
- Întotdeauna opriți trimmerul sau detașați setul de acumulatori de fiecare dată când îl lăsați nesupravegheat.
- Nu utilizați mașina în ploaie.
- Țineți copii la distanță - Toți vizitatorii trebuie ținuți la distanță de zona de lucru.

- **Îmbrăcați-vă corespunzător** - Nu purtați haine largi sau bijuterii. Acestea pot fi prinse în piesele aflate în mișcare. Utilizarea mănușilor și încălțărilor rezistente este recomandată când lucrați în aer liber. Purtați echipament de acoperire a părului, care să țină strâns părul lung.
- **Utilizați ochelari de protecție** - Întotdeauna utilizați o mască de față sau o mască de praf dacă operația creează praf.
- **Utilizați scula adecvată** - Nu utilizați scula în alt scop decât cel prevăzut.
- **Nu forțați trimmerul** - Scula va efectua lucrarea mai bine și în siguranță mai mare, la viteza pentru care a fost proiectată.
- **Nu vă întindeți excesiv** - Păstrați-vă întotdeauna o poziție stabilă a picioarelor și echilibrul.
- **Fiți vigilenți** - Urmăriți ceea ce faceți. Apelați la bunul simț. Nu utilizați trimmerul când sunteți obosiți.
- **Nu operați trimmerul dacă sunteți sub influența băuturilor alcoolice sau a drogurilor.**
- **Păstrați apărătorile instalate și în stare de funcționare.**
- **Depozitați trimmerul în interior** - Când trimmerul nu este utilizat, acesta trebuie depozitat în interior, într-un loc uscat și la înălțime, sau închis cu cheia cu setul de acumulatori detașat - inaccessibil copiilor.
- **Întrețineți trimmerul cu grijă** - Păstrați accesoriul de tăiere curat pentru performanțe optime și pentru a reduce riscul de rănire. Respectați instrucțiunile legate de schimbarea accesoriilor. Mențineți mânerul uscat, curate și fără ulei și vaselină.
- **Verificați piesele avariate** - Înainte de a continua utilizarea trimmerului, apărătoarea sau altă piesă care este deteriorată trebuie verificată cu atenție pentru a determina dacă va funcționa corespunzător și își va îndeplini funcția desemnată. Verificați coaxialitatea pieselor în mișcare, neobstrucționarea pieselor în mișcare, defectări ale pieselor, montajul și orice altă situație care poate afecta funcționarea sculei. Apărătoarea sau altă piesă care este deteriorată trebuie reparată corect sau înlocuită de către un centru de service autorizat, cu excepția cazului când se indică contrariul în acest manual de instrucțiuni.
- **Curățați zona de tuns înainte de fiecare utilizare.** Îndepărtați toate obiectele, cum ar fi pietre, sticlă spartă, cuie, sârmă sau fire care pot fi aruncate sau se pot încurca în capul de tăiere. Asigurați-vă că terți și animalele se află la cel puțin 15m distanță.
- **Înainte de a folosi mașina și după orice impact,** asigurați-vă că nu există semne de uzură sau deteriorare și reparați dacă este necesar;
- **Întotdeauna țineți trimmerul ferm cu ambele mâini pe mâner pe durata utilizării.** Înfășurați-vă degetele și degetele mari în jurul mânerelor.
- **Evitați pornirea accidentală** - Nu transportați trimmerul cu degetul pe trăgaci.
- **Nu utilizați trimmerul în atmosfere cu aburi de benzină sau explozive.** În aceste aparate, este normal ca motoarele să producă scântei, și scântele pot aprinde substanțele volatile.
- **Avarii ale trimmerului** - Dacă loviți un obiect străin cu trimmerul sau se încurcă, opriți imediat scula, detașați setul de acumulatori de trimmerul cu fir, verificați avariile și asigurați-vă că orice defect este reparat înainte de a încerca să reutilizați trimmerul. Nu utilizați aparatul dacă apărătoarea sau bobina este spartă.
- **Dacă echipamentul începe să producă vibrații anormale,** opriți motorul și scoateți setul de acumulatori din trimmerul cu fir. Și depistați imediat cauza. Vibrațiile sunt în general semnul unor probleme. Un cap slabit poate vibra, se poate fisura, se poate rupe sau să se detașeze de trimmer, putând produce răni grave sau fatale. Asigurați-vă că accesoriul de tăiere este instalat corespunzător. Dacă accesoriul de tăiere se slăbește după fixarea sa în poziție, înlocuiți-l imediat. Nu utilizați niciodată un trimmer cu un cap de tăiere slabit.
- **Înlocuiți imediat un cap de tăiere fisurat, avariat sau uzat,** chiar dacă defectul se limitează la fisuri superficiale. Astfel de accesorii se pot sparge la viteză mare și pot cauza răni grave sau fatale.
- **Verificați capul de tăiere la intervale scurte regulate în timpul utilizării,** sau imediat dacă observați o modificare vizibilă a modului de tăiere.
- **Utilizați numai accesorii de trimmer din polimer și fir de tăiere autorizate de EGO™** care sunt proiectate pentru utilizarea cu aceste scule. Deși anumite accesorii neautorizate se pot potrivi cu trimmerul cu fir EGOTM, utilizarea lor poate fi extrem de periculoasă și/sau periculoasă pentru scule.
- **Pentru a reduce riscul de răni grave,** nu utilizați niciodată fir de sârmă sau de metal ranforsat ori din alt material în locul firului de tăiere din nailon. Bucăți din firul de sârmă se pot rupe și pot fi proiectate la viteză mare înspere operator sau trecători.
- **Pentru a reduce riscul de rănire datorat pierderii controlului,** nu lucrați niciodată stând pe o scară sau pe orice alt suport nesigur. Nu țineți niciodată capul de tăiere la înălțime deasupra taliei.
- **În cazul situațiilor care nu sunt adresate în acest manual,** utilizați grijă și raționament. Contactați centrul de service EGO pentru asistență.
- **Nu încărcați setul de acumulatori în condiții de ploaie sau de umezeală.**
- **Utilizați numai seturi de acumulatori și încărcătorii de mai jos:**

SET DE ACUMULATORI	ÎNCĂRCĂTOR
BA1120E, BA2240E, BA2800, BA3360, BA4200	CH5500E, CH2100E

- Setul de acumulatori trebuie scos din aparat înainte de eliminarea acestuia.
- Acumulatorul trebuie eliminat într-un mod nepericulos.
- Nu eliminați acumulatorii aruncându-i în foc. Celulele riscă să explodeze. Verificați normele locale privind eventualele instrucțiuni speciale de eliminare.
- Nu desfaceți sau să mutilați acumulatorul. Electrolițul eliberat este coroziv și poate afecta ochii și pielea. Acesta poate fi toxic dacă este înghițit.
- Atenție când manevrați acumulatori pentru a scurtcircuita acumulatorul cu materiale conductoare precum inele, brățări și chei. Acumulatorul sau conductorul se pot supraîncălzi și cauza arsuri.
- În cazul operațiilor de service, utilizați numai piese de schimb EGOTM identice. Utilizarea oricăror alte accesorii sau componente poate crește riscul de rănire.
- Sculele electrice alimentate cu baterii nu trebuie să fie racordate la o priză electrică, de aceea, acestea sunt întotdeauna în stare de funcționare. Atenție la eventualele riscuri chiar și când scula nu este în funcțiune. Aveți grijă când efectuați operații de întreținere sau de service.
- Nu spălați trimmerul cu furtunul de grădină; evitați pătrunderea apei în motor și în conexiunile electrice.
- Păstrați aceste instrucțiuni. Consultați-le frecvent și utilizați-le pentru a instrui alte persoane care ar putea utiliza această sculă electrică. Dacă împrumutați cuiva această sculă, împrumutați-i și aceste instrucțiuni pentru a preveni utilizarea inadecvată a produsului și posibile răni.
- Întotdeauna purtați încălțăminte trainică și pantaloni lungi când utilizați mașina.
- Asigurați-vă întotdeauna o poziție stabilă când vă aflați pe o pantă, și întotdeauna pașiți, nu alergați.

PĂSTRAȚI ACESTE INSTRUCȚIUNI!

SPECIFICAȚII

Voltaj	56 V $\overline{\text{---}}$
Turație de mers în gol	7000 /min
Mecanismul de tăiere	Cap cu bobină
Tipul firului de tăiere	Fir rotund de nailon AL0800 Ø2,0mm
Lățime de tăiere	30 cm
Greutate (fără set de acumulatori)	2,85 kg
Nivel de putere sonoră măsurat L_{WA}	90,76 dB(A) K = 2,5 dB(A)
Nivel de presiune sonoră la urechea operatorului L_{PA}	75,0 dB(A) K = 2,5 dB(A)
Nivel de putere sonoră garantată L_{WA} (conform 2000/14/CE)	91 dB(A)
Vibrații a_h	Mâner posterior 3,279 m/s ² K = 1,5 m/s ²
	Mâner frontal 4,915 m/s ² K = 1,5 m/s ²

- Valoarea totală declarată a vibrațiilor a fost măsurată în conformitate cu o metodă standard de testare și poate fi utilizată pentru compararea sculelor între ele;
- Valoarea totală declarată poate fi utilizată în evaluarea preliminară a expunerii.

OBSERVAȚIE: Vibrațiile emise în timpul utilizării efective a sculei electrice pot diferi față de valoarea celor declarate pentru scula utilizată; Pentru protejerea operatorului, utilizatorul trebuie să poarte mănuși și protecții auditive în timpul utilizării efective a produsului.

CONȚINUTUL AMBALAJULUI

DENUMIRE PIESĂ	CANTITATE
Trimmer cu fir	1
Apărătoare	1
Ansamblu mâner frontal de operare	1
Cheie hexagonală M5	1
Manual de instrucțiuni	1

DESCRIERE

DESCRIEREA SUFLANTEI (Fig. A)

1. Trăgaci
2. Mâner posterior
3. Manetă de blocare
4. Manșon moale
5. Mâner frontal reglabil de operare
6. Tijă
7. Distanțier de protecție
8. Buton de derulare fir
9. Cap cu bobină (Cap de tăiere)
10. Apărătoare
11. Lamă de tăiere fir
12. Mecanism de ejectare
13. Contacte electrice
14. Încuietoare
15. Buton de detașare acumulator

ASAMBLAREA

⚠️ AVERTISMENT: În caz de piese avariate sau care lipsesc, nu utilizați acest produs dacă piesele nu sunt înlocuite. Utilizarea acestui produs cu piese avariate sau lipsă poate rezulta în vătămări personale grave.

⚠️ AVERTISMENT: Nu încercați să modificați acest produs sau să creați accesorii nerecomandate pentru acest trimmer cu fir. Orice alterare sau modificare este considerată utilizare greșită și poate duce la condiții periculoase ce pot rezulta în vătămări personale grave.

⚠️ AVERTISMENT: Pentru a preveni pornirea accidentală care ar putea cauza vătămări personale grave, întotdeauna scoateți setul de acumulator din sculă când asamblați componente.

ATAȘAREA APĂRĂTORII (Fig. B & C & D)

⚠️ AVERTISMENT: Întotdeauna purtați mănuși când atașați sau înlocuiți apărătoarea. Aveți grijă de lamă de pe apărătoare și protejați-vă mâna împotriva tăieturilor.

⚠️ AVERTISMENT: Nu utilizați niciodată scula fără apărătoarea bine fixată. Apărătoarea trebuie să fie întotdeauna instalată pe sculă pentru a proteja utilizatorul. Când apărătoarea este atașată, nu încercați niciodată să o îndepărtați sau să o ajustați, dacă este nevoie să fie înlocuită, această operație trebuie executată de un tehnician de service autorizat!

Amplasați trimmerul cu fața în sus, slăbiți și îndepărtați cele două șuruburi. După care aliniați nervurile de ghidare cu fanțele de pe carcasă, împingeți apărătoarea în loc și blocați-o cu cele două șuruburi. Asigurați-vă că suprafața internă a apărătorii este îndreptată înspre capul trimmerului.

MONTAREA ȘI REGLAREA MÂNERULUI FRONTAL DE OPERARE

Apăsați mânerul frontal de operare pe tijă (Fig. F), după care introduceți blocul de prindere în fanta mânerului (Fig. G), montați dispozitivul de blocare al tijei, blocați-le cu piulița fluture (Fig. H). Ordinea este ilustrată în Fig. E. La final, ajustați poziția mânerului frontal de operare astfel încât brațul dumneavoastră să fie drept când utilizați trimmerul (Fig. I), după care blocați maneta dispozitivului de blocare a tijei (Fig. J).

Fig. E & I pentru descrierea pieselor consultați tabelul de mai jos:

E-1	Mâner frontal de operare	E-4	Piuliță fluture
E-2	Dispozitiv de blocare tijă	I-1	Manșon moale
E-3	Bloc de fixare	I-2	Etichetă de avertizare

⚠️ OBSERVAȚIE: Mânerul frontal de operare trebuie rotit în sus pentru a fi îndreptate înspre partea de sus a mânerului.

⚠️ AVERTISMENT: Instalați mânerul frontal de operare numai în fața manșonului moale.

⚠️ AVERTISMENT: Scula nu poate fi utilizată fără mânerul frontal de operare bine fixat.

FUNCȚIONAREA

⚠️ AVERTISMENT: Nu permiteți ca familiarizarea cu acest produs să vă facă neglijent. Amintiți-vă că o fracțiune de secundă de neglijență este suficientă pentru a provoca vătămări grave.

⚠️ AVERTISMENT: Purtați întotdeauna ochelari de protecție cu apărători laterale. Împreună cu protecții auditive. Nerespectarea acestei instrucțiuni ar putea avea ca rezultat proiectarea în ochi a obiectelor și alte posibile vătămări grave.

⚠️ AVERTISMENT: Nu utilizați nicio componentă sau accesoriu care nu a fost recomandat de producătorul acestui produs. Utilizarea de accesorii nerecomandate se poate solda cu vătămări grave.

⚠️ AVERTISMENT: Utilizați trimmerul dumneavoastră cu fir echipat cu firul de tăiere adecvat numai pentru tăierea ierbii și a materialului similar.

⚠️ AVERTISMENT: Pentru a preveni pornirea accidentală care ar putea cauza vătămări personale grave, întotdeauna scoateți setul de acumulatori din sculă când asamblați componente, efectuați reglaje sau când produsul nu este utilizat.

Puteți utiliza acest produs în scopurile menționate mai jos:

Curățarea: utilizat pentru îndepărtarea ierbii și a buruienilor urcate pe pereți, garduri, copaci și borduri.

Tăierea: utilizat pentru tăierea ierbii greu de accesat când folosiți o mașină de tuns iarba normală.

OBSERVAȚIE: Scula trebuie utilizată numai în scopul pentru care a fost proiectată. Orice altă utilizare, ca de exemplu tăierea marginilor, este considerată a fi caz de utilizare necorespunzătoare.

ATAȘAREA/DETAȘAREA SETULUI DE ACUMULATORI

Încărcați acumulatorul complet înainte de prima utilizare.

Pentru atașare (Fig. K)

Aliniați nervurile de pe acumulator cu fantele de instalare și apăsați în jos setul de acumulatori până la auzul unui clic.

Pentru detașare (Fig. L)

⚠️ AVERTISMENT: Întotdeauna aveți grijă de picioarele dumneavoastră, copiii sau animalele din jurul dumneavoastră când apăsați butonul de detașare al acumulatorului. În cazul căderii setului de acumulatori, pot rezulta răniri grave. Nu detașați NICIODATĂ setul de acumulatori când vă aflați la înălțime.

Apăsați butonul de detașare al setului de acumulatori și scoateți setul de acumulatori.

APUCAREA TRIMMERULUI CU FIR

⚠️ AVERTISMENT: Îmbrăcați-vă corespunzător pentru a reduce riscul de rănire când utilizați această sculă. Nu purtați haine largi sau bijuterii. Purtați echipament de protecție/oculari și auditiv/pe pentru urechi. Purtați pantaloni lungi rezistenți, cizme și mănuși. Nu purtați pantaloni scurți, sandale sau să stați desculț.

Înainte de pune trimmerul în funcțiune, apucați-l cu ambele mâini, o mână pe mânerul posterior și alta pe mânerul frontal de operare care trebuie să fie drept (Fig. M). După care asigurați-vă că aveți o poziție echilibrată și stați la o distanță adecvată de tăiere.

PORNIREA/OPRIREA TRIMMERULUI CU FIR (Fig. N)

Pornirea

Apăsați în jos maneta de blocare și mențineți-o în această poziție. Apăsați trăgaciul pentru a porni trimmerul.

Oprirea

Eliberați maneta de blocare și trăgaciul.

⚠️ AVERTISMENT: Întotdeauna scoateți setul de acumulatori din trimmerul cu fir în timpul pauzelor de lucru și după terminarea lucrării.

UTILIZAREA TRIMMERULUI CU FIR

⚠️ AVERTISMENT: Pentru evitarea rănilor personale grave, purtați ochelari de protecție în permanență când utilizați acest produs. Purtați mască de față sau mască de praf în locurile cu praf.

Curățați zona de tuns înainte de fiecare utilizare. Îndepărtați toate obiectele, cum ar fi pietre, sticlă spartă, cuie, sârmă sau fire care pot fi aruncate sau se pot încurca în capul de tăiere. Îndepărtați din zonă copiii, trecătorii și animalele de companie. În cel mai rău caz, țineți copiii, trecătorii și animalele la cel puțin 15m distanță; la această distanță încă persistă riscul lovirii trecătorilor cu obiecte proiectate. Trecătorii trebuie încurajați să poarte ochelari de protecție. Dacă cineva se apropie de dumneavoastră, opriți imediat motorul și capul de tăiere.

Înainte de fiecare utilizare, verificați pentru depistarea pieselor uzate/avariate.

Verificați capul cu bobina, apărătoarea și mânerul frontal de operare și înlocuiți piesele care sunt fisurate distorsionate, îndoite sau avariate în vreun fel.

Lama de tăiere a firului de pe muchia apărătorii se poate toci cu timpul. Se recomandă să o ascuțiți periodic cu o pilă sau să o înlocuiți cu una nouă.

⚠️ AVERTISMENT: Întotdeauna purtați mănuși când atașați sau ascuțiți ori înlocuiți lama. Aveți grijă de lama de pe apărătoare și protejați-vă mâna împotriva tăieturilor.

După fiecare utilizare, curățați trimmerul.

- Utilizați numai săpun slab și o lavetă umedă pentru a curăța scula. Nu lăsați niciun lichid să pătrundă în interiorul sculei; nu scufundați niciodată vreo parte a sculei în vreun lichid.
- Păstrați în permanență fantele de aerisire din carcasa motorului și tija curate (Fig. O).

Fig. O pentru descrierea pieselor consultați tabelul de mai jos:

O-1	Fante de aerisire din tijă
O-2	Fante de aerisire din carcasa motorului

⚠ ATENȚIE: Obstrucționarea fantelor de aerisire va împiedica pătrunderea aerului în carcasa motorului și va provoca supraîncălzirea sau avariarea motorului.

⚠ AVERTISMENT: Nu utilizați niciodată apă pentru curățarea trimmerului. Evitați utilizarea solvenților când curățați piese din plastic. Majoritatea pieselor din plastic sunt susceptibile să se deterioreze de la diverse tipuri de solvenți comerciali. Utilizați cărpe curate pentru a îndepărta murdăria, praful, uleiul, vaselina etc.

AJUSTAREA LUNGIMII FIRULUI DE TĂIERE

Capul cu bobină permite utilizatorului să elibereze mai mult fir fără să oprească motorul. Pe măsură ce firul devine fragil sau uzat, fir adițional poate fi eliberat prin lovirea ușoară a butonului de derulare a firului de sol în timpul operării trimmerului (Vezi Fig. P).

Pentru rezultate optime, loviți capul de sol neted sau dur. Dacă încercați eliberarea unui fir nou în iarbă înaltă, este posibil ca motorul să se supraîncălzească. Întotdeauna păstrați firul de tăiere extins complet. Eliberarea de fir suplimentar devine mai dificilă pe măsură ce firul devine mai scurt.

⚠ AVERTISMENT: Nu îndepărtați sau modificați ansamblul lamei de tăiere a firului. Lungimea excesivă a firului poate cauza supraîncălzirea motorului și poate duce la răni personale grave.

UTILIZAREA DISTANȚIERULUI DE PROTECȚIE

Distanțierul poate limita intervalul de tăiere al firului și reduce riscul ca firul rotativ să cauzeze pagube (Fig. Q)

Pentru a utiliza distanțierul de protecție, rabatați-l în jos din poziția sa de stocare (Fig. R).

⚠ AVERTISMENT: Capul bobinei poate continua să se rotească un timp scurt după oprirea trimmerului cu fir. Așteptați ca acesta să se oprească complet înainte de a ajusta distanțierul de protecție. Nu îl ajustați cu piciorul.

ÎNLOCUIREA FIRULUI

OBSERVAȚIE: Întotdeauna utilizați fir de nailon standard de tăiere cu diametrul de maxim Ø 2,0mm.

⚠ AVERTISMENT: Nu utilizați niciodată fir de metal ranforsat, sârmă, frânghie, etc. Acestea se pot rupe și pot deveni proiectile periculoase.

Există două metode de înlocuire a firului de tăiere:

1. Înfășurați pe bobină un fir nou.
2. Instalați o bobină deja înfășurată (AS1301, dacă este nevoie, disponibilă la furnizor).

Înfășurați pe bobină un fir nou.

Apăsați cele două clape de detașare de pe baza bobinei și scoateți suportul de bobină (Fig. S). Măsurați aproximativ 7m de fir nou de tăiere. Îndoiiți și înfășurați în jurul bobinei precum în ilustrațiile din Fig. T & U. După care amplasați capetele firului prin cele două creștături opuse de pe bobină (Fig. V) și amplasați bobina în suportul său cu creștăturile aliniate cu orificiile suportului de bobină (Fig. W). În ultimul rând, aliniați fantele suportului cu cele două clape de pe baza bobinei și apăsați uniform suportul în jos, asigurându-vă că se anclanșează (Fig. X).

OBSERVAȚIE: Întotdeauna curățați suportul bobinei, bobina și baza bobinei înainte de a reasambla capul trimmerului. Verificați suportul bobinei, bobina și baza bobinei pentru depistarea urmelor de uzură. Dacă este nevoie, înlocuiți piesele uzate.

OBSERVAȚIE: Neînșurarea firului în direcția indicată va duce la funcționarea greșită a capului trimmerului.

Instalarea unei bobine deja înfășurate

Apăsați cele două clape de detașare de pe baza bobinei și scoateți suportul de bobină (Fig. S). După care amplasați bobina deja înfășurată în suport cu creștăturile aliniate cu orificiile suportului (Fig. W). În ultimul rând, aliniați fantele suportului cu cele două clape de pe baza bobinei și apăsați uniform suportul în jos, asigurându-vă că se anclanșează (Fig. X).

Fig. W & X pentru descrierea pieselor consultați tabelul de mai jos:

W-1	Creștătură	X-1	Clapă
W-2	Orificiu	X-2	Fantă

OBSERVAȚIE: Clapele de pe baza bobinei trebuie să se anclanșeze în locaș altfel bobina va ieși în timpul funcționării.

ÎNȚREȚINEREA

⚠ AVERTISMENT: Când efectuați operații de service, utilizați doar piese de schimb identice. Utilizarea oricăror altor piese poate crea un pericol sau poate produce o deteriorare. Pentru siguranța și fiabilitatea produsului, toate reparațiile ar trebui efectuate de către un tehnician de service autorizat.

⚠️ AVERTISMENT: Sculele electrice alimentate cu baterii nu trebuie să fie racordate la o priză electrică, de aceea, acestea sunt întotdeauna în stare de funcționare. Pentru prevenirea rănilor personale grave, adoptați măsuri de siguranță suplimentare și de îngrijire când efectuați operații de întreținere, service sau înlocuiți accesoriile de tăiere sau alte accesorii.

⚠️ AVERTISMENT: Pentru prevenirea rănilor personale grave, scoateți setul de acumulatori din sculă înainte de a depana, curăța, înlocui accesorii detașabile sau de a îndepărta materialul din produs.

CURĂȚAREA PRODUSULUI

- Curățați produsul cu ajutorul unei cârpe umede și cu detergent slab.
- Nu utilizați detergenți puternici pe carcasa de plastic sau pe mâner. Acestea pot fi deteriorarea de anumite uleiuri parfumate precum brad și lămâie, și de către solvenți precum kerosenul. Umezeala poate cauza un risc de electrocutare. Ștergeți orice urmă de umezeală cu o cârpă uscată.
- Utilizați o perie mică sau fanta de aer cu perie a unui aspirator mic pentru a curăța fantele de aerisire de obstrucții de pe carcasa posterioară.

DEPOZITAREA PRODUSULUI

- Scoateți setul de acumulatori din trimmerul cu fir când acesta nu este utilizat.
- Curățați scula bine înainte de a o depozita.
- Depozitați aparatul într-un loc uscat, bine aerisit, închis cu cheia sau la înălțime, în care copiii nu au acces. Nu depozitați produsul pe sau lângă fertilizanți, benzină sau alte chimicale.

Protejarea mediului înconjurător



Nu eliminați echipamentul electric, încărcătorul de acumulatori și bateriile/acumulatorii împreună cu deșeurile menajere!

Conform Directivei europene 2012/19/UE, sculele echipamentele electrice și electronice care nu mai sunt utilizabile, și conform Directivei europene 2006/66/CE, seturile de acumulatori/bateriile defecte sau uzate trebuie colectate separat.

Dacă aparatele electrice sunt aruncate la groapa de gunoi sau la haldă, se pot scurge substanțe periculoase în pânza freatică și acestea pot intra în lanțul trofic, afectându-vă sănătatea și bunăstarea

DECLARAȚIE DE CONFORMITATE CE

Noi, EGO EUROPE GMBH

Wahlwiesenstrasse 1, D-71711 Steinheim an der Murr
Deutschland

Declarăm că produsul **TRIMMER CU FIR ȘI CU ACUMULATOR DE LITIU ION DE 56 VOLȚI ST1210E** este conform cerințelor esențiale în materie de sănătate și siguranță ale următoarelor Directive:

2006/42/CE, 2014/30/CE, 2011/65/UE, 2000/14/CE

Standarde și specificații tehnice la care se referă:

EN 60335-1, EN 50636-2-91, EN 55014-1, EN 55014-2

Nivel de putere acustică măsurat: 90.76 dB(A).

Nivel de putere acustică garantat: 91 dB(A).

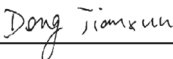
Procedura de evaluare a conformității din Anexa VI este respectată conform 2000/14/CE.

Organism notificat: Société Nationale de Certification et d'Homologation

Număr corp notificat: 0499



Peter Melrose
Director general EGO Europe GmbH



Dong Jianxun
Manager al calității la Chervon

* (Reprezentat autorizat CHERVON și responsabil pentru documentația tehnică)

01/09/2016

GHID DE DEPANARE

PROBLEMĂ	CAUZĂ	SOLUȚIE
Trimmerul cu fir nu pornește.	<ul style="list-style-type: none"> ■ Setul de acumulatori nu este atașat de trimmer. ■ Nu există contact electric între trimmer și acumulator. ■ Setul de acumulatori este descărcat. ■ Maneta de blocare și trăgaciul nu sunt apăsată simultan. 	<ul style="list-style-type: none"> ■ Atașați setul de acumulatori de trimmer. ■ Îndepărtați acumulatorul, verificați contactele și reinstalați setul de acumulatori. ■ Încărcați setul de acumulatori. ■ Apăsăți în jos maneta de blocare și țineți-o apăsată, după care apăsați trăgaciul declanșator pentru a porni trimmerul.
FIRUL trimmerului se oprește în timpul utilizării.	<ul style="list-style-type: none"> ■ Apărătoarea nu este montată pe trimmer, rezultând un fir prea lung de depășește și un motor suprasolicitat. ■ Este utilizat un fir gros. ■ Axul motorului sau capul trimmerului sunt blocate cu iarbă. ■ Motorul este suprasolicitat. ■ Setul de acumulatori sau trimmerul sunt prea fierbinți. ■ Setul de acumulatori este deconectat de la sculă. ■ Setul de acumulatori este descărcat. 	<ul style="list-style-type: none"> ■ Îndepărtați setul de acumulatori și montați apărătoarea pe trimmer. ■ Utilizați numai un fir de nailon de tăiere cu grosimea de 2,0mm sau mai mică. ■ Opriți trimmerul, îndepărtați acumulatorul și curățați iarbă de pe axul motorului și capul trimmerului. ■ Îndepărtați capul trimmerului din iarbă. Motorul își va reveni imediat ce sarcina este îndepărtată. Când tăiați, deplasați capul trimmerului în iarbă și în afara ei pentru a o tăia și îndepărtați maxim 20cm de lungime dintr-o tăiere. ■ Lăsați setul de acumulatori sau trimmerul cu fir să se răcească până când temperatura scade sub 67°C. ■ Reinstalați setul de acumulatori. ■ Încărcați setul de acumulatori.

PROBLEMĂ	CAUZĂ	SOLUȚIE
Capul trimmerului nu mai debitează fir.	<ul style="list-style-type: none"> ■ Axul motorului sau capul trimmerului sunt blocate cu iarbă. ■ Pe bobină nu mai este suficient fir. ■ Capul trimmerului este murdar. ■ Firul este încurcat pe bobină. ■ Firul este prea scurt. 	<ul style="list-style-type: none"> ■ Oprii trimmerul, îndepărtați acumulatorul și curățați iarba de pe axul motorului și capul trimmerului. ■ Îndepărtați acumulatorul și înlocuiți firul de tăiere; respectați instrucțiunile din capitolul "ÎNLOCUIREA FIRULUI" din acest manual. ■ Îndepărtați acumulatorul și curățați bobina, suportul bobinei și baza acesteia. ■ Îndepărtați acumulatorul, îndepărtați firul de pe bobină și înfășurați; respectați instrucțiunile din capitolul "ÎNLOCUIREA FIRULUI" din acest manual. ■ Scoateți acumulatorul și scoateți firele în timp ce apăsați alternativ în jos pe și eliberați butonul de derulare a firului.
Iarbă înfășurată în jurul capului trimmerului și a carcasei motorului.	<ul style="list-style-type: none"> ■ Tăierea ierbii înalte la nivelul solului. 	<ul style="list-style-type: none"> ■ Tăiați iarba înaltă de sus în jos, îndepărtând maxim 20cm cu fiecare tăiere pentru a preveni înfășurarea.
Firul nu taie bine.	<ul style="list-style-type: none"> ■ Lama de tăiere a firului situată pe marginea apărătorii s-a tocit. 	<ul style="list-style-type: none"> ■ Ascuțiți lama de tăiere a firului cu o pilă sau înlocuiți-o cu una nouă.

GARANȚIA

POLITICA DE GARANȚIE EGO

Vă rugăm consultați website-ul egopowerplus.com pentru termenii și condițiile complete ale politicii de garanție EGO.

PREBERITE VSA NAVODILA!



PREBERITE & OSVOJITE PRIROČNIK Z NAVODILI

⚠️ Preostalo tveganje! Pred uporabo izdelka se morajo osebe z elektronskimi napravami, kot je srčni spodbujevalnik, posvetovati s svojim zdravnikom. Delovanje električne opreme v bližini srčnega spodbujevalnika lahko povzroči motnje ali okvaro srčnega spodbujevalnika.

⚠️ OPOZORILO: Za zagotovitev varnosti in zanesljivosti mora vsa popravila izvesti usposobljen serviser.

VARNOSTNI SIMBOLI

Namen varnostnih simbolov je, da pritegnejo vašo pozornost na morebitne nevarnosti. Varnostni simboli in njihova pojasnila si zaslužijo vašo pozornost in razumevanje. Opozorilni simboli sami ne odpravljajo nobene nevarnosti. Navodila in opozorila niso nadomestilo za ustrezne ukrepe za preprečevanje nesreč.

⚠️ OPOZORILO: Poskrbite, da boste pred uporabo orodja prebrali in razumeli vsa varnostna navodila v priročniku z navodili za uporabo, vključno z vsemi simboli za varnostna opozorila, kot so »NEVARNOST«, »OPOZORILO«, in »SVARILO«. Neupoštevanje spodaj navedenih navodil se lahko odrazi v električnem udaru, požaru in/ali resnih telesnih poškodbah.

POMEN SIMBOLOV

SIMBOL VARNOSTNEGA OPOZORILA: Nakazuje NEVARNOST, OPOZORILO ali SVARILO. Uporablja se lahko skupaj z drugimi simboli ali piktogrami.

SL



⚠️ OPOZORILO: Delovanje katerega koli električnega orodja lahko povzroči metanje tujkov v vaše oči, kar lahko povzroči resne poškodbe očesa. Pred začetkom dela z električnim orodjem vedno nosite zaščitna očala ali varnostna očala s stranskimi zaščitami in kadar je treba tudi ščit za celoten obraz. Priporočamo vam uporabo varnostne maske Wide Vision Safety Mask za uporabo preko očal ali standardnih varnostnih očal s stransko zaščito.

VARNOSTNA NAVODILA

Na tej strani so prikazani in opisani varnostni simboli, ki se lahko pojavijo na tem izdelku. Preberite, osvojite in sledite navodilom na stroju preden ga boste poskušali sestaviti in upravljati.

	Varnostno opozorilo	Ukrepi za večjo varnost.
	Preberite priročnik z navodili za uporabo	Za zmanjšanje nevarnosti poškodb je pomembno, da si uporabnik pred uporabo naprave prebere uporabniški priročnik.
	Nosite zaščito za oči	Pri upravljanju tega izdelka vedno nosite zaščitna očala ali varnostna očala s stransko zaščito in zaščito za celoten obraz.
	Nosite zaščito za ušesa	Pri upravljanju tega izdelka vedno nosite zaščito za ušesa.
	Premer nitke:	Premer najlonske nitke
	Širina košnje	Največja širina košnje kosilnice z nitko
	Ne izpostavljajte dežju	Naprave ne uporabljajte v dežju ali je puščajte zunaj, ko dežuje.
	Konstrukcija razreda II	Dvojno izolirana konstrukcija
	Prisotni naj bodo varno oddaljeni	Poskrbite, da bodo drugi ljudje in hišni ljubljenci vsaj 15 m stran od kosilnice z nitko, ko je v uporabi.
	Prisotni naj bodo varno oddaljeni	Poskrbite, da bodo drugi ljudje in hišni ljubljenci vsaj 15 m stran od kosilnice z nitko, ko je v uporabi.
V	Volt	Napetost
A	Amperi	Tok

Hz	Hertz	Frekvenca (v ciklih na sekundo)
W	Watt	Napajanje
min	Minute	Čas
	Izmenični tok	Vrsta toka
	Enosmerni tok	Vrsta ali značilnost toka
n_0	Št. vrtljajev v prostem teku	Hitrost vrtenja, brez obremenitve
... /min	Na minuto	Vrtljajev na minuto

- Stroj uporabljajte le podnevi ali ob dobri umetni svetlobi.
- Stroja nikoli ne upravljajte, če so ščitniki poškodovani, ali če niso na mestu.
- Motor zaženite le, ko imate dlani in stopala stran od rezil.
- Stroj vedno odklopite iz vira napajanja (vtič odstranite iz vtičnice ali odstranite napravo za ustavljanje),
 - kadar koli pustite stroj brez nadzora;
 - pred čiščenjem blokade;
 - pred pregledom, čiščenjem ali delom na napravi;
 - potem, ko zadenete ob tujek;
 - kadar koli začne stroj nenormalno vibrirati.
- Pazite na morebitne poškodbe dlani iz stopal z rezili.
- Vedno poskrbite, da so odprtine za zračenje čiste.

POMEMBNA VARNOSTNA NAVODILA

⚠ OPOZORILO: Pri uporabi kosilnic z nitko morate vedno upoštevati osnovne previdnostne ukrepe, saj le tako lahko zmanjšate nevarnost požara, električnega udara, opeklin in telesnih poškodb, vključno s sledečim:

PRED UPORABO NATANČNO PREBERITE.

SHRANITE ZA PRIHODNJO UPORABO.

⚠ NEVARNOST: Ne zanašajte se na izolacijo orodja za zaščito pred električnim udarom. Da zmanjšate nevarnost električnega udara, stroja nikoli ne upravljajte v bližini žic in kablov (napajanje itd.), ki so lahko pod napetostjo.

⚠ SVARILO: Med uporabo nosite primerno zaščito za sluh. Pod nekaterimi pogoji in dolžino uporabe lahko ta izdelek prispeva k izgubi sluha.

URJENJE

- Pazljivo preberite navodila. Seznanite se s kontrolami in pravilno uporabo naprave.
- Naprave nikoli ne smejo uporabljati otroci ali osebe, ki s to napravo niso seznanjene. Krajevni predpisi lahko omejujejo starostno mejo upravljavcev.
- Zapomnite si, da je uporabnik ali upravljavec odgovoren za vse nesreče ali nevarnosti, ki bi se lahko zgodile prisotnim ali njihovi lastnini.

PRIPRAVA

- Če so v bližini ljudje, še posebej otroci ali domače živali, naprave ne uporabljajte.
- Nosite zaščito za oči in robustne čevlje ves čas upravljanja stroja.

DELOVANJE

VZDRŽEVANJE IN SHRANJEVANJE

- Stroj vedno odklopite iz vira napajanja (vtič odstranite iz vtičnice ali odstranite napravo za ustavljanje) pred vzdrževanjem ali čiščenjem.
- Uporabljajte samo originalne dele in dodatke ter upoštevajte priporočila proizvajalca.
- Stroj redno preverjajte in vzdržujte. Stroj naj popravlja le pooblaščen serviser.
- Ko ni v uporabi, stroj pospravite izven dosega otrok.

DRUGA VARNOSTNA OPOZORILO

- Izogibajte se nevarnim okoljem. Kosilnic z nitko ne uporabljajte v vlažnih ali mokrih okoljih.
- Kadar pustite kosilnico z nitko brez nadzora, jo vedno izključite ali odstranite baterijski sklop.
- Naprave ne uporabljajte v dežju.
- Otroci naj se ne približujejo napravi. Vsi obiskovalci morajo biti na primerni razdalji od delovnega območja.
- Primerno se oblecite. Ne nosite ohlapnih oblačil ali nakita. To lahko povzroči ujetje med premikajoče dele. Uporabite gumijaste rokavice in delovno obutev, predpisano za zunanja dela. Če imate dolge lase, nosite tudi zaščitno pokrivalo.
- Uporabljajte varnostna očala. Pri prašnem delu vedno nosite masko za obraz ali protiprašno masko.
- Uporabite pravo napravo. Orodje uporabljajte izključno za dela, za katera je namenjeno.
- Kosilnice z nitko ne uporabljajte s silo. Svoje delo bo opravljala bolj in z manjšo verjetnostjo poškodb pri hitrosti, za katero je bila zasnovana.
- Ne segajte predaleč. Pazite, da stojite stabilno in da imate ravnotežje.
- Ostanite pozorni. Pazite, kaj delate. Uporabite zdrav razum. Kadar ste utrujeni, kosilnice z nitko ne uporabljajte.

- Kosilnice z nitko ne upravljajte, če ste pod vplivom alkohola ali drog.
- Ščitniki naj bodo na mestu in delujoči.
- Kosilnico z nitko shranjujte v notranjem prostoru. Kadar je ne uporabljate, jo shranite v notranjem prostoru, ki je suh in nekoliko dvignjen ali zaklenjen, da ni v dosegu otrok. Baterijski sklop pred shranjevanjem odstranite.
- Skrbno vzdržujte kosilnico z nitko. Priključek za košnjo naj bo čist, saj tako omogoča najboljše rezultate in zmanjšuje tveganje za poškodbe. Sledite navodilom za menjava priključkov. Ročajni naj bodo suhi, čisti in brez madežev olja ali masti.
- Preglejte za morebitne poškodovane dele. Pred nadaljnjo uporabo je treba poškodovan ščitnik ali kateri koli drug del je treba natančno pregledati in določiti, če bo pravilno izvajal svojo predvideno funkcijo. Preverite nastavitve premikajočih se delov, njihove povezave, morebitne lome, namestitve in druge pogoje, ki bi lahko vplivali na delovanje naprave. Ščitnik ali drug del, ki je poškodovan, morajo ustrezno popraviti ali nadomestiti na pooblaščenem servisnem centru, razen če je v tem priročniku navedeno drugače.
- Območje rezanja pred vsako uporabo počistite. Odstranite vse predmete, kot so kamni, zdrobljeno steklo, žebli, žica ali vrvi, ki jih lahko vrže ali se zapletejo v priključek za košnjo. Poskrbite, da bodo druge osebe in hišni ljubljenci vsaj 15 m stran.
- Pred uporabo stroja in po morebitnih udarcih stroj preglejte za poškodbe in obrabljene dele.
- Med upravljanjem kosilnice z nitko vedno držite trdno z obema rokama na ročajih. Prste ovijte okoli ročajev.
- Izognite se nenamernemu zagonu. Kosilnice z nitko ne prenašajte s prstom na sprožilcu.
- Kosilnice z nitko ne uporabljajte v eksplozivnih atmosferah. Motorji v teh napravah običajno oddajajo iskricе in iskricе lahko zanetijo hlape.
- Poškodbe kosilnice z nitko: če udarite ob tujek ali se kosilnica zaplete, jo takoj ustavite, odstranite baterijski sklop, preglejte za poškodbe in morebitne poškodbe odpravite pred nadaljnjo uporabo. Izdelka ne uporabljate z zlomljenim ščitnikom ali vretenom.
- Če začne oprema nenormalno vibrirati, ustavite motor in odstranite baterijski sklop. Napravo takoj preglejte za vzrok. Vibracije so običajno opozorilo pred težavami. Vibracije lahko povzročijo zrahljana glava, razpoka, odlomljenje rezila, kar lahko vodi v resne telesne poškodbe ali celo smrt. Prepričajte se, da je priključek za košnjo pravilno nameščen na mestu. Če se glava zrahlja potem, ko ste jo pričvrstili na mesto, jo nemudoma zamenjajte. Nikoli ne uporabljajte kosilnice z nitko, ki ima zrahljan priključek za košnjo.
- Razpokano, poškodovano ali izrabljeno glavo za košnjo nemudoma zamenjajte, tudi če gre le za površinske razpoke. Takšni priključki se lahko pri visokih hitrostih razletijo in povzročijo redno ali smrtno poškodbo.
- Preverite priključek za košnjo v rednih kratkih intervalih med delovanjem oziroma takoj, ko opazite spremembo v obnašanju pri košnji.
- S tem orodjem uporabljajte le ustrezne polimerne dodatke za nitko in nitke, ki so oblikovane za to orodje proizvajalca EGO™. Kljub temu, da lahko na kosilnico z nitko EGO™ namestite tudi neoriginalne priključke, je takšna uporaba lahko nevarna in/ali povzroči poškodbe na orodju.
- Da zmanjšate nevarnost za resno poškodbo, nikoli ne uporabljajte žice ali kovinsko ojačane nitke namesto najlonskih nitk. Delci žice lahko odlomijo in z veliko hitrostjo odletijo proti upravljavcu ali opazovalce.
- Da zmanjšate nevarnost poškodb zaradi izgube nadzora, naprave nikoli ne uporabljajte na lestvi ali drugih nestabilnih podporah. Priključka za košnjo nikoli ne držite nad višino pasu.
- Če pride do situacij, ki jih ta priročnik ne predvideva, bodite pazljivi in uporabite dobro presojo. Za pomoč stopite v stik servisnim centrom EGO.
- Baterijskega sklopa ne polnite v dežju ali na vlažnih mestih.
- Napravo uporabljajte le z baterijskimi sklopi in polnilniki, navedenimi spodaj.

BATERIJSKI SKLOP	POLNILNIK
BA1120E, BA2240E, BA2800, BA3360, BA4200	CH5500E, CH2100E

- Preden napravo zavržete, morate iz nje odstraniti baterijski sklop.
- Baterijo morate varno odvreči.
- Baterije ne odstranite v ogenj. Celice lahko eksplodirajo. Preverite lokalne predpise za morebitna posebna navodila glede odstranjevanja.
- Baterije ne odpirajte ali poškodujte. Sproščeni elektroliti so korozivni in lahko poškodujejo oči ali kožo. Lahko so strupeni, če jih zaužijete.
- Pri ravnanju z baterijami bodite previdni in pazite, da ne povzročite kratkega stika s prevodnimi materiali, kot so prstani, zapestnice in ključi. Baterija ali prevodnik se lahko pregrejeta in povzročite opekline.
- Pri servisiranju uporabljajte le identične nadomestne dele EGO™. Uporaba drugih dodatkov ali priključkov lahko poveča nevarnost poškodb.
- Baterijskih orodij ni potrebno vključiti v električno vtičnico, zato so vedno v stanju delovanja. Zavedajte se mogočih nevarnosti tudi, ko orodje ne deluje. Bodite previdni pri vzdrževanju ali servisiranju.
- Naprave ne umivajte s cevjo. Voda naj ne pride v motor ali električne priključke.

- Ta navodila shranite. Pogosto jih preberite. Uporabite jih tudi za poučevanje ostalih, ki uporabljajo to napravo. Če to orodje komu posodite, posodite tudi ta navodila, da tako za preprečite nepravilno uporabo izdelka in možnost poškodb.
- Pri upravljanju stroja vedno nosite primerno obutev in dolge hlače.
- Vedno poskrbite za oporo na pobočjih in pri hoji. Nikoli ne tecite.

TA NAVODILA SHRANITE!

TEHNIČNI PODATKI

Napetost	56 V	
No Load Speed	7000 /min	
Mehanizem za košnjo	Udarna glava	
Vrsta nitke za košnjo	Najlonska okrogla nitka AL0800 Ø2,0 mm	
Širina košnje	30 cm	
Teža (baterijskega sklopa)	2,85 kg	
Izmerjena raven zvočnega tlaka L_{WA}	90,76 dB(A) K = 2,5 dB(A)	
Raven zvočnega tlaka v ušesu upravljavca L_{PA}	75,0 dB(A) K = 2,5 dB(A)	
Zajamčena raven zvočnega tlaka L_{WA} (glede na 2000/14/EC)	91 dB(A)	
Vibracije a_n	Zadnji ročaj	3,279 m/s ² K = 1,5 m/s ²
	Sprednji ročaj	4,915 m/s ² K = 1,5 m/s ²

- Deklarirana skupna vrednost vibracij je bila izmerjena v skladu s standardno preskusno metodo in se lahko uporabi za medsebojno primerjavo različnih orodij;
- Navedena skupna vrednost vibracij se lahko uporabi za predhodne ocene izpostavljenosti.

OPOMBA: Emisije vibracij se lahko med dejansko uporabo električnega orodja razlikujejo od deklarirane vrednosti, pri kateri se orodje uporablja. Z namenom zaščite upravljavca mora uporabnik v dejanskih pogojih uporabe nositi rokavice in zaščito za ušesa.

SEZNAM PAKIRANJA

IME DELA	KOLIČINA
Kosilnica z nitko	1
Ščitnik	1
Sklop sprednjega ročaja za prijem	1
Šestrobi ključ M5	1
Priročnik z navodili za uporabo	1

OPIS

SPOZNAJTE SVOJ PUHALNIK (slika A)

1. Sprožilec
2. Zadnji ročaj
3. Sprožilec
4. Mehak rokav
5. Nastavljiv sprednji ročaj za prijem
6. Gred
7. Zaščita pred udarci
8. Gumb udame glave
9. Udarna glava (glava za košnjo)
10. Ščitnik
11. Rezilo z nitko
12. Mehanizem za izmet
13. Električni kontakti
14. Zaklep
15. Gumb za sprostitvev baterije

SESTAVA

⚠ OPOZORILO: Če so deli poškodovani ali manjkajo, izdelka ne uporabljajte, dokler deli niso zamenjani. Če ta izdelek uporabljate s poškodovanimi ali manjkajočimi deli, se lahko resno poškodujete.

⚠ OPOZORILO: Tega izdelka ne poskušajte spreminjati in ne poskušajte izdelovati dodatkov, ki niso priporočeni za uporabo s to kosilnico z nitko. Vsako tako spreminjanje je zloraba in lahko privede do tveganj, ta pa do hudih telesnih poškodb.

⚠ OPOZORILO: Da preprečite nenamerni zagon, ki bi lahko povzročil resno telesno poškodbo, pri nameščanju delov vedno odstranite baterijski sklop.

MONTAŽA ŠČITNIKA (slike B, C in D)

⚠ OPOZORILO: Pri montaži ali zamenjavi ščitnika vedno nosite rokavice. Pazite na rezilo na ščitniku in dlan zaščitite, da se ne urežete.

⚠ OPOZORILO: Orodja nikoli ne upravljajte brez ščitnika trdno nameščenega na mestu. Ščitnik mora biti vedno nameščen na orodju za zaščito uporabnika. Ko je bil ščitnik pritrjen, ga nikoli ne poskušajte odstraniti ali prilagoditi. Če ga je treba zamenjati, mora to storiti kvalificiran serviser.

Kosilnico z nitko obrnite navzgor in odstranite oba vijaka. Nato poravnajte vodilna rebra z režami na ohišju, ščitnik potisnite na mesto in ga zaklenite z obema vijakoma. Poskrbite, da bo notranja površina ščitnika obrnjena proti glavi kosilnice z nitko.

MONTAŽA IN PRILAGAJANJE SPREDNJEGA ROČAJA ZA PRIJEM

Sprednji ročaj za prijem potisnite na gred (slika F), nato vstavite pritrilni blok v režo ročaja (slika G), namestite zaklepno palico in ju zaklenite z matico (slika H). Zaporedje prikazuje slika E. Nazadnje, prilagodite položaj sprednjega ročaja za prijem, tako, da boste imeli pri uporabi kosilnice z nitko roko iztegnjeno (slika I), nato pa zaklenite vzvod zaklepne palice (slika J).

Sliki E in I: za opis delov glejte spodaj:

E-1	Sprednji ročaj za prijem	E-4	Matica
E-2	Zaklepna palica	I-1	Mehak rokav
E-3	Pritrdilni blok	I-2	Nalepka z opozorilom

⚠ OPOMBA: Sprednji ročaj za prijem mora biti obrnjen navzgor proti vrhu ročaja.

⚠ OPOZORILO: Sprednji ročaj za prijem fiksirajte samo pred mehkim rokavom na gredi.

⚠ OPOZORILO: Orodja ne morete uporabljati brez zanesljive fiksacije sprednjega ročaja za prijem.

DELOVANJE

⚠ OPOZORILO: Četudi se dodobra seznanite s tem izdelkom, pri rokovanju z njim ne postanite neprevidni. Pomnite, da je brezskrbni delec sekunde dovolj za resno poškodbo.

⚠ OPOZORILO: Vedno nosite zaščito za oči, ki ima varovanje tudi s strani. Prav tako nosite zaščito za sluh. Če tega ne storite, vam lahko v oči priletijo predmeti ali pa se lahko zgodijo druge hude poškodbe.

⚠ OPOZORILO: Ne uporabljate priključkov ali dodatkov, ki jih proizvajalec tega izdelka ne priporoča. Uporaba priključkov ali dodatkov, ki niso priporočeni, lahko privede do resnih osebnih poškodb.

⚠ OPOZORILO: Kosilnico z nitko uporabljajte le s primerno nitko za košnjo trave in podobnega materiala.

⚠ OPOZORILO: Da preprečite nenamerni zagon, ki bi lahko povzročil resno telesno poškodbo, pri nameščanju delov, prilagajanjem, čiščenjem in kadar ni v uporabi, vedno odstranite baterijski sklop.

Ta izdelek lahko uporabljate za:

Obrezovanje: uporablja se za odstranjevanje trave in plevla ob stenah, ograjah, drevskih in mejah.

Košnja: uporablja se za košnjo trave, ki jo je z običajno kosilnico težko doseči.

OPOMBA: Orodje se lahko uporablja samo za predpisan namen. Kakršna koli druga uporaba, kot je obrezovanje robov, se smatra za nepravilno uporabo.

PRIKLJUČITEV/ODKLAPLANJE BATERIJSKEGA SKLOPA

Pred prvo uporabo ga popolnoma napolnite.

Za priključitev (Slika K)

Rebra baterije poravnajte z režami za namestitvev in baterijski sklop potisnite navzdol, da zaslišite klik.

Za odklapanje (slika L)

⚠ OPOZORILO: Vedno pazite na stopala, otroke ali hišne ljubljence okoli sebe, ko pritisnete gumb za sprostitvev baterije. Če baterijski sklop pade, lahko povzroči resne poškodbe. Baterijskega sklopa NIKOLI ne odstranjujte na visoki lokaciji.

Pritisnite gumb za sprostitvev baterije in baterijski sklop potegnite ven.

PRIJEM KOSILNICE Z NITKO

⚠ OPOZORILO: Za upravljanje tega orodja se primerno oblecite, da zmanjšate nevarnost poškodb. Ne nosite ohlapnih oblačil ali nakita. Nosite zaščito za oči in sluh. Nosite robustne dolge hlače, škornje in rokavice. Ne nosite kratkih hlač, sandalov ali bodite bos.

Pred upravljanjem kosilnico z nitko držite z obema rokama, eno roko imejte na zadnjem ročaju, drugo pa na sprednjem ročaju za prijem, ki mora biti raven (slika M). Nato preverite za uravnoteženo oporo in primerno razdaljo za košnjo.

ZAGON/ZAUSTEVITEV KOSILNICE Z NITKO (slika N)

Zagon

Vzvod za odklepanje pritisnite navzdol, in ga držite v tem položaju. Pritisnite sprožilec, da vključite kosilnico z nitko.

Zaustavitev

Sprostite vzvod za odklepanje in sprožilec.

⚠ OPOZORILO: Med delovnimi odmori in po končanem delu iz kosilnice z nitko vedno odstranite baterijski sklop.

UPORABA KOSILNICE Z NITKO

⚠ OPOZORILO: Da se izognete resni telesni poškodbi, nosite očala ali zaščitna očala ves čas upravljanja enote. Na prašnih lokacijah uporabljajte obrazno masko ali protiprašno masko.

Območje rezanja pred vsako uporabo počistite. Odstranite vse predmete, kot so kamni, zdrobljeno steklo, žebli, žica ali vrvi, ki jih lahko vrže ali se zapletejo v priključek za košnjo. Na območju naj ne bo otrok, opazovalcev in hišnih ljubljencev. Otroci, opazovalci in hišni ljubljenci naj bodo oddaljeni vsaj 15 m. Še vedno lahko obstaja nevarnost letečih predmetov za opazovalce. Prisotni naj uporabljajo tudi zaščitno sluha. Če pristopite, takoj ustavite motor in priključek za košnjo.

Pred vsako uporabo napravo pregledite za poškodovane/obrabljene dele

Pregledite udarno glavo, ščitnik in sprednji ročaj za prijem ter zamenjajte dele, ki so razpokani, zviti, upognjeni ali kakor koli poškodovani.

Rezilo z nitko na robu ščitnika lahko sčasoma postane topo. Priporočljivo je, da ga redno ostrite s pilo ali ga zamenjate z novim rezilom.

⚠ OPOZORILO: Pri montaži ščitnika oziroma ostrenju ali zamenjavi rezila vedno nosite rokavice. Pazite na rezilo na ščitniku in dlan zaščitite, da se ne urežete.

Kosilnico z nitko po vsaki uporabi očistite.

- Orodje očistite le z blagim milom in vlažno krpo. Ne dovolite, da bi tekočina vstopila v orodje. Nobenega dela orodja nikoli ne potopite v katero koli tekočino.
- Zračne odprtine v ohišju motorja naj bodo ves čas proste (slika O).

Slika O: za opis delov glejte spodaj:

O-1	Zračne odprtine v gredi
O-2	Zračne odprtine v ohišju motorja

⚠ SVARILO: Ovire v zračnikih bodo preprečile dovod zraka v ohišje motorja, kar bo vodilo v pregrevanje in poškodbe motorja.

⚠ OPOZORILO: Obrezovalnika nikoli ne čistite z vodo. Pri čiščenju plastičnih delov se izogibajte uporabi topil. Večina vrst plastike se lahko pri uporabi različnih komercialnih topil poškoduje. Za odstranjevanje prahu, umazanije, olja, masti itd. uporabite čiste krpe.

PRILAGAJANJE DOLŽINE NITKE

Udarna glava upravljavcu omogoča sprostitve več nitke za košnjo brez zaustavitve motorja. Ko se nitka scefra ali obrabi, lahko sprostite dodatno nitko tako, da narahlo potolčete gumb udarne glave med delovanjem kosilnice (slika P).

Za najboljše rezultate potolčite gumb udarne glave na čistih ali trdih tleh. Če poskušate nitko sprostiti v visoki travi, se lahko motor pregreje. Nitka za košnjo naj bo vedno popolnoma iztegnjena. Sproščanje nitke postaja težje s tem, ko postaja nitka krajša.

⚠ OPOZORILO: Sklopa rezila ne odstranjujte ali spreminjajte. Prevelika dolžina nitke bo povzročila pregrevanje motorja, ki lahko vodi v resno telesno poškodbo.

DELO Z ZAŠČITO PRED UDARCI

Zaščita pred udarci lahko omeji razpon košnje nitke in zmanjša nevarnost škode, ki jo lahko povzroči vrteča nitka (slika Q).

Za uporabo zaščito pred udarci potisnite iz položaja za shranjevanje (slika R).

⚠ OPOZORILO: Udarna glava se lahko nekaj trenutkov potem, ko ugasnete kosilnico z nitko, še naprej vrtil. Pred prilagajanjem zaščite pred udarci zato nekaj trenutkov počakajte, da se udarna glava popolnoma ustavi. Ne prilagajajte ga z nogo.

ZAMENJAVA NITKE

OPOMBA: Vedno uporabljajte standardno najlonsko nitko s premerom do 2,0 mm.

⚠ OPOZORILO: Nikoli ne uporabljajte nitke s kovinsko ojačitvijo, žice, vrvi itd. Lahko se odtrgajo in postanejo nevarne.

Obstajata dva načina za zamenjavo nitke za košnjo:

1. Na vreteno navijte novo nitko.
2. Namestite predhodno navito vreteno (AS1301, če je potrebno, je na voljo pri prodajalcu).

Navijanje nove nitke na vreteno

Pritisnite dva jezička za sprostitev podnožja vretena in izvlecite držalo vretena (slika S). Izvlecite približno 7 m nove nitke za košnjo. Zložite in zvijte jo na vreteno, kot prikazujeta sliki T in U. Nato konca nitke povlecite skoti ločeni zarezji v vretenu (slika V) ter vreteno namestite v držalo tako, da bosta zarezji poravnani z luknjicama v držalu (slika W). Nazadnje reži držala poravnajte z jezičkoma na podnožju vretena ter držalo enakomerno potisnite navzdol. Prepričajte se, da se držalo zaskoči na mesto (slika X).

OPOMBA: Držalo vretena vedno očistite pred ponovno namestitvijo glave kosilnice z nitko. Držalo vretena, vreteno in podnožje vretena pregledajte za obrabo. Če je treba, obrabljene dele zamenjajte.

OPOMBA: Če nitke ne boste navili v prikazani smeri, potem bo glava kosilnice z nitko delovala nepravilno.

Namestitev predhodno navitega vretena

Pritisnite dva jezička za sprostitev podnožja vretena in izvlecite držalo vretena (slika S). Potem predhodno navito vreteno namestite v držalo tako, da zarezje poravnate z luknjicama v držalu (slika W). Nazadnje reži držala poravnajte z jezičkoma na podnožju vretena ter držalo enakomerno potisnite navzdol. Prepričajte se, da se držalo zaskoči na mesto (slika X).

Sliki W in X: za opis delov glejte spodaj:

W-1	Zareza	X-1	Zavihek
W-2	Vstavitvena odprtina	X-2	Reža

OPOMBA: Prepričajte se, da se jezički na podnožju vretena zaskočijo na mesto, v nasprotnem primeru bo vreteno med delovanjem odpadlo.

VZDRŽEVANJE

⚠ OPOZORILO: Pri servisiranju uporabljajte le identične nadomestne dele. Uporaba drugih delov je tvegana in lahko povzroči škodo na izdelku. Za zagotovitev varnosti in zanesljivosti mora vsa popravila izvesti usposobljen serviser.

⚠ OPOZORILO: Baterijskih orodij ni potrebno vključiti v električno vtičnico, zato so vedno v stanju delovanja. Da preprečite resno telesno poškodbo, bodite izjemno previdni pri vzdrževanju, servisiranju ali zamenjavi priključka za košnjo oziroma drugih priključkov.

⚠ OPOZORILO: Da preprečite resno telesno poškodbo, pred servisiranjem, čiščenjem, zamenjavo priključkov ali odstranjevanjem materiala iz enote odstranite baterijski sklop iz orodja.

ČIŠČENJE ENOTE

- Enoto očistite z vlažno krpo in blagim detergentom.
- Za čiščenje plastičnega dela ročaja ne uporabljajte močnih čistilnih sredstev. Poškodujejo ga lahko določena aromatična olja, kot sta olje bora in limone, ter topila, kot je kerozin. Vlaga prav tako lahko ustvari nevarnost električnega udara. Vlago obrišite z mehko in suho krpo.
- Zračne odprtine v zadnjem delu ohišja očistite z majhno krtačo ali vakuumsko čistilno krtačo.

SHRANJEVANJE ENOTE

- Kadar ni v uporabi, iz kosilnice z nitko odstranite baterijski sklop.
- Orodje pred shranjevanjem temeljito očistite.
- Shranite ga v suhem in dobro zračenem prostoru, ki se zaklepa ali je dvignjen, da ne bo na doseg otrok. Enote ne shranjujte na ali v bližino gnojil, bencina ali drugih kemikalij.

Varovanje okolja



Električne opreme, polnilnika baterij in baterij/baterij, ki jih je mogoče polniti, ne odvrzite med gospodinjske odpadke!

V skladu z evropskim zakonom 2012/19/EU glede električne in elektronske opreme, ki ni več uporabna, in v skladu z evropskim zakonom 2006/66/EC glede pokvarjenih ali izrabljenih baterijskih sklopov/baterij, je treba baterije zbrati ločeno.

Če električne naprave odvrzete na smetišča, lahko nevarne snovi pronicajo v podtalnico in tako pridejo v prehranjevalno verigo, s čimer ogrozijo vaše zdravje in dobro počutje.

IZJAVA ES O SKLADNOSTI



EGO EUROPE GMBH

Wahlwiesenstrasse 1, D-71711 Steinheim an der Murr
Deutschland

izjavlja, da je izdelek **56-VOLTNA LITIJ-IONSKA BREZŽIČNA KOSILNICA Z NITKO ST1210E** skladen z najpomembnejšimi zdravstvenimi in varnostnimi zahtevami sledečih direktiv:

2006/42/EC, 2014/30/EC, 2011/65/EU, 2000/14/EC

Upoštevani standardi in tehnične specifikacije:

EN 60335-1, EN 50636-2-91, EN 55014-1, EN 55014-2

Izmerjena raven zvočnega tlaka: 90,76 dB(A).

Zajamčena raven zvočnega tlaka: 91 dB(A).

Postopek ugotavljanja skladnosti dodatka VI je v skladu z 2000/14/EC.

Priglašeni organ: Soci t  Nationale de Certification et d'Homologation

Številka priglašenega organa: 0499

Peter Melrose
Generalni direktor dru be
EGO Europe GmbH

Dong Jianxun
Vodja kakovosti pri dru bi
Chervon

* (Poblaš en predstavnik dru be CHERVON in odgovorni za tehni no dokumentacijo.)

01/09/2016

ODPRAVLJANJE TE AV

TE�AVA	VZROK	RE�ITEV
Kosilnica z nitko se ne vklju�i.	<ul style="list-style-type: none"> ■ Baterijski sklop ni pritrjen na kosilnico z nitko. ■ Med kosilnico z nitko in baterijo ni elektri�nega stika. ■ Baterijski sklop je izpraznjen. ■ Vzvod za odklepanje in spro�ilec nista bila pritisnjena hkrati. 	<ul style="list-style-type: none"> ■ Baterijski sklop pritrdite na kosilnico z nitko. ■ Odstranite baterijo, preverite kontakte in ponovno namestite baterijski sklop. ■ Napolnite baterijski sklop. ■ Vzvod za odklepanje pritisnite navzdol in ga pridrite, nato pritisnite spro�ilec, da vklju�ite kosilnico z nitko.

SL

TEŽAVA	VZROK	REŠITEV
Kosilnica z nitko se med delovanjem ustavi.	<ul style="list-style-type: none"> ■ Na kosilnici z nitko ni nameščenega ščitnika, kar je povzročilo predolgo nitko in preobremenjenost motorja. ■ Uporabljajte težko nitko za košnjo. ■ Gred motorja ali glava kosilnice nitke je zamašena s travo. ■ Motor je preobremenjen. ■ Baterijski sklop ali kosilnica z nitko je prevroča. ■ Baterijski sklop je odklopljen iz orodja. ■ Baterijski sklop je izpraznjen. 	<ul style="list-style-type: none"> ■ Odstranite baterijski sklop in ščitnik namestite na kosilnico z nitko. ■ Uporabljajte le najlonsko nitko premera 2,0 mm ali manj. ■ Ustavite kosilnico z nitko, odstranite baterijo in odstranite travo iz gredi motorja in glave kosilnice z nitko. ■ Glavo kosilnice z nitko odstranite iz trave. Motor bo zopet deloval, ko boste odstranili obremenitev. Pri košnji premikajte glavo kosilnice z nitko v in iz trave ter je ne ob enem rezu ne premaknite več kot 20 cm. ■ Baterijski sklop ali kosilnico z nitko ohladite do temperature, ki je nižja od 67 °C. ■ Ponovno namestite baterijski sklop. ■ Napolnite baterijski sklop.
Glava kosilnice z nitko ne podaja nitke.	<ul style="list-style-type: none"> ■ Gred motorja ali glava kosilnice nitke je zamašena s travo. ■ Na vretenu ni dovolj nitke. ■ Glava kosilnice z nitko je umazana. ■ Nitka je zapletena na vretenu. ■ Nitka je prekratka. 	<ul style="list-style-type: none"> ■ Ustavite kosilnico z nitko, odstranite baterijo in odstranite travo iz gredi motorja in glave kosilnice z nitko. ■ Odstranite baterijo in namestite nitko. Pri tem sledite navodilom v razdelku »ZAMENJAVA NITKE« tega priročnika. ■ Odstranite baterijo in očistite vreteno, držalo vretena in podnožje vretena. ■ Odstranite baterijo, odstranite nitko z vretena in jo ponovno navijte. Pri tem sledite navodilom v razdelku »ZAMENJAVA NITKE« tega priročnika. ■ Odstranite baterijo in povlecite nitko, medtem ko izmenično pritiskate in sprostite gumb udarne glave.
SL Trava se ovija okrog glave kosilnice z nitko in ohlaja motorja.	<ul style="list-style-type: none"> ■ Travo režite pri tleh. 	<ul style="list-style-type: none"> ■ Visoko travo kosite z vrha navzdol in je naenkrat ne pokosite več kot 20 cm, da preprečite ovijanje.
Nitka ne kosi dobro.	<ul style="list-style-type: none"> ■ Rezilo z nitko na robu ščitnika je postalo topo. 	<ul style="list-style-type: none"> ■ Naostrite ga s pilo ali ga zamenjate z novim rezilom.

GARANCIJA

GARANCIJSKA POLITIKA DRUŽBE EGO

Za popolne pogoje garancijske politike družbe EGO obiščite spletno stran egopowerplus.com.

PERSKAITYKITE VISĄ INSTRUKCIJĄ!



PERSKAITYKITE NAUDOJIMO INSTRUKCIJĄ IR ĮSITIKINKITE, AR JĄ SUPRATOTE

⚠ Liekamoji rizika! Žmonės, kuriems implantuoti elektroniniai prietaisai, pvz., širdies stimulatoriai, prieš pradėdami naudoti šį gaminį turėtų pasikonsultuoti su savo gydytoju (-ais). Šalia širdies stimulatoriaus veikianti elektros įranga gali sukelti širdies stimulatoriaus veikimo trukdžius arba gedimą.

⚠ ĮSPĖJIMAS: Norint užtikrinti saugų ir patikimą gaminio naudojimą, visus remonto ir keitimo darbus turi atlikti kvalifikuotas techninės priežiūros specialistas.

SAUGOS SIMBOLIAI

Šių simbolių paskirtis – atkreipti dėmesį į galimus pavojus. Gerai susipažinkite su saugos simboliais bei jų paaiškinimais ir juos įsidėmėkite. Simbolių įspėjimai patys savaime negali apsaugoti nuo pavojų. Jais žymimi nurodymai ir įspėjimai neatstoja tinkamų nelaimingų atsitikimų prevencijos priemonių.

⚠ ĮSPĖJIMAS: Prieš pradėdami naudoti šį gaminį perskaitykite visus šioje naudojimo instrukcijoje pateiktus saugos nurodymus, taip pat susipažinkite su visais saugos įspėjamaisiais simboliais, tokiais kaip „PAVOJUS“, „[SPĖJIMAS“, ir „PERSPĖJIMAS“, ir įsitikinkite, kad juos supratote. Nesilaikant visų toliau išdėstytų nurodymų galima patirti elektros smūgį, sukelti gaisrą ir (arba) sunkiai susižeisti.

SIMBOLIO REIKŠMĖ

SAUGOS ĮSPĖJAMASIS SIMBOLIS: nurodo **PAVOJŲ, ĮSPĖJIMĄ**, arba **PERSPĖJIMĄ**. Gali būti panaudotas su kitais simboliais arba piktogramomis.



⚠ ĮSPĖJIMAS: Naudojant bet kokius elektros prietaisus gali būti išsviesti ir pataikyti į akis pašaliniai objektai, galintys sunkiai sužeisti akis. Prieš pradėdami naudoti elektros prietaisą, visada užsidėkite apsauginius akinius arba apsauginius akinius su šonine apsauga ir, kai reikia, visą veidą dengiantį skydelį. Rekomenduojame naudoti platų matymo lauką užtikrinančią apsauginę kaukę ant akinių arba standartinius apsauginius akinius su šonine apsauga.

SAUGOS NURODYMAI

Šiame puslapyje pavaizduoti ir aprašyti saugos simboliai, kurių gali būti ant šio gaminio. Prieš pradėdami surinkti ir naudoti prietaisą, perskaitykite visus ant jo pateiktus nurodymus, įsitikinkite, kad juos supratote, ir jais vadovaukitės.

	Saugos įspėjimas	Atsargumo priemonės, skirtos užtikrinti jūsų saugumą.
	Perskaitykite naudojimo instrukciją	Kad sumažintų pavojų susižaloti, naudotojas turi perskaityti naudojimo instrukciją ir įsitikinti, kad ją suprato.
	Dėvėkite akių apsaugos priemones	Naudodami šį gaminį visada užsidėkite apsauginius akinius arba apsauginius akinius su šonine apsauga ir visą veidą dengiantį skydelį.
	Dėvėkite ausų apsaugos priemones	Naudodami šį gaminį visada dėvėkite ausų apsaugos priemones.
	Linijos skersmuo	Nailoninio pjovimo valo skersmuo
	Pjovimo plotis	Maks. žoliapjovės pjovimo tako plotis
	Nenaudokite lyjant lietu	Nedirbkite su žoliapjove lyjant lietu, taip pat nepalikite lauke, kai lyja.
	II klasės konstrukcija	Dvigubai izoliuota konstrukcija.
	Neleiskite artintis pašaliniais asmenims	Užtikrinkite, kad kiti žmonės ir augintiniai būtų ne mažesniui nei 15m atstumui nuo žoliapjovės, kai ji naudojama.
	Neleiskite artintis pašaliniais asmenims	Užtikrinkite, kad kiti žmonės ir augintiniai būtų ne mažesniui nei 15m atstumui nuo žoliapjovės, kai ji naudojama.
V	Volts	Įtampa
A	Amperai	Srovė
Hz	Hercas	Dažnis (ciklai per sekundę)
W	Vatas	Galia

min	Minutės	Laikas
~	Kintamoji elektrosrovė	Srovės tipas
≡	Nuolatinė elektrosrovė	Srovės tipas arba charakteristika
n_0	Sūčiai be apkrovos	Sukimosi greitis, kai nėra apkrovos
... /min	Per minutę	Apsisukimai per minutę

- Niekada nenaudokite įrenginio, kai saugos priemonės ar skydeliai sugadinti arba kai jie neuždėti.
- Variklį įjunkite tik patraukę rankas ir kojas nuo pjovimo dalies.
- Visada atjunkite įrenginį nuo maitinimo šaltinio (t. y. ištraukite kištuką iš elektros lizdo arba nuimkite saugos įtaisą).
 - visada, kai paliekate vejąpovę be priežiūros;
 - prieš patraukdami klūtį;
 - prieš tikrindami, valydami įrenginį arba dirbdami prie jo;
 - kliudę pašalinį daiktą;
 - jei įrenginys pradeda neįprastai vibruoti.
- Būkite atsargūs, kad pjovimo priemonėmis nesusižalotumėte kojų ir rankų.
- Visada užtikrinkite kad ventiliacijos angose niekada nebūtų apnašų.

SVARBŪS SAUGOS NURODYMAI

⚠ ĮSPĖJIMAS: Naudodami akumuliatorines žoliapjoves, visada imkitės svarbiausių atsargumo priemonių, kad sumažintumėte gaisro, elektros smūgio ir susižalojimo pavojų, įskaitant:

ATIDŽIAI PERSKAITYKITE PRIEŠ NAUDODAMI

PASIDĖKITE, KAD PRIREIKUS GALĖTUMĖTE PASIŽIURĖTI

⚠ PAVOJUS. Nepasikliaukite įrenginio izoliacija nuo elektros smūgio. Norėdami sumažinti elektros smūgio riziką, niekada neekspluatuokite įrenginio netoli bet kokių laidų arba kabelių (elektros ir pan.), kuriais gali tekėti elektrosrovė.

⚠ PERSPĖJIMAS: Eksploatacijos metu dėvėkite tinkamas asmenines klausos apsaugos priemones. Tam tikromis sąlygomis ir dėl naudojimo trukmės šio gaminio keliamas triukšmas gali prisidėti prie klausos netekimo.

MOKYMAS

- Atidžiai perskaitykite instrukciją. Susipažinkite su valdikliais ir nurodymais, kaip tinkamai naudoti įrenginį.
- Įrenginio niekada neleiskite naudoti vaikams arba žmonėms, nesusipažinusiems su šia instrukcija. Vietiniai teisės aktai gali riboti operatoriaus amžių.
- Turėkite omenyje, kad operatorius arba naudotojas atsako už nelaimingus atsitikimus ir pavojus, keliamus kitiems žmonėms ir jų nuosavybei.

PASIRUOŠIMAS

- Niekada neekspluatuokite įrenginio, kai netoliese yra žmonių, ypač vaikų, arba augintinių.
- Visada eksploatuodami įrenginį dėvėkite akių apsaugos priemones ir patvarius batus.

NAUDOJIMAS

- Veją pjaukite tik dieną arba esant tinkamam dirbtiniam apšvietimui.

TECHNINĖ PRIEŽIŪRA IR LAIKYMAS

- Prieš pradėdami techninės priežiūros arba valymo darbus atjunkite įrenginį nuo maitinimo šaltinio (t. y. ištraukite kištuką iš elektros lizdo arba nuimkite saugos įtaisą).
- Naudokite tik gamintojo rekomenduojamas atsargines dalis ir priedus.
- Įrenginį reguliariai apžiūrėkite ir tvarkykite. Įrenginio remontą patikėkite tik įgaliotam remontininkui.
- Kai nenaudojamas, laikykite įrenginį vaikams nepasiekiamoje vietoje.

KITI SAUGOS ĮSPĖJIMAI

- Venkite pavojingos aplinkos – nenaudokite žoliapjovių drėgnose arba šlapiose vietose.
- Visada, kai paliekate žoliapjovę be priežiūros, ją išjunkite arba išimkite sudėtines baterijas.
- Nenaudokite lyjant lietui.
- Neleiskite artyn vaikų – visi lankytojai turi būti tam tikru atstumu nuo darbo zonos.
- Tinkamai apsirenkite – nedėvėkite laisvų drabužių ir nenešioti laisvai kabančių papuošalų. Judamosios dalys gali juos įtraukti. Dirbant lauke rekomenduojama mūvėti gumines pirštines ir avėti tvirtą avalynę. Dėvėkite apsauginį plaukų apdangalą, po kurio galima būtų paslėpti ilgus plaukus.
- Dėvėkite apsauginius akinius – jei dirbant kyla daug dulkių, visada užsidėkite kaukę arba respiratorių.
- Naudokite tinkamą įrenginį – nenaudokite įrenginio jokiems darbams, išskyrus numatytąjį.
- Neperkraukite žoliapjovės – ji atliks darbą geriau ir kils mažesnė pavojaus susižaloti tikimybė, kuri atitiks projekto koncepciją.

- Nepraraskite pusiausvyros – visada tvirtai stovėkite ant kojų ir išlaikykite pusiausvyrą.
- Būkite budrūs – stebėkite, ką darote. Vadovaukitės sveika nuovoka. Nedirbkite su žoliapjove, kai esate pavargę.
- Nedirbkite su žoliapjove, jei esate apsvaigę nuo alkoholio arba vaistų.
- Naudokite uždėtas techniškai tvarkingas saugos priemones.
- Laikykite žoliapjovę patalpoje – kai žoliapjovė nenaudojama, laikykite ją su nuimta sudėtine baterija patalpose, sausoje ir aukštoje arba užrakintoje vietoje, taip pat vaikams nepasiekiamoje vietoje.
- Žoliapjovės techninės priežiūros darbus atlikite atsargiai – pjovimo įtaisas turi būti švarus, kad žoliapjovė efektyviai pjautų ir būtų išvengta sužalojimų. Laikykites nurodymų dėl priedų keitimo. Pasi rūpinkite, kad rankenos būtų sausas, švarios ir nesuteptos alyva arba tepalu.
- Patikrinkite pažeistas dalis – prieš tolesnį žoliapjovės naudojimą, reikia atidžiai patikrinti, ar nepažeistos apsaugos priemonės ar kitos dalys, siekiant nustatyti, ar jos veiks tinkamai ir atliks savo paskirtį. Patikrinkite, ar judamos dalys suderintos, judamos dalys pritvirtintos, ar nėra dalių, jungčių pažeidimų, be to, ar nėra kitų sąlygų, kurios gali turėti įtakos jos veikimui. Pažeistos apsaugos priemonės ar kitos dalys turėtų būti tinkamai suremontuotos arba pakeistos įgaliotame techninės priežiūros centre, jei šiose vadove nenurodyta kitaip.
- Prieš kiekvieną naudojimą išvalykite pjaunamą plotą. Pašalinkite viską, pavyzdžiui, akmenis, stiklo duženas, vinis, vielas arba virves, t. y. objektus, kurie pjovimo įtaiso gali būti sviesti į šoną arba jame įsipainioti. Užtikrinkite, kad kiti žmonės ir augintiniai būtų ne mažesniu nei 15m atstumu.
- Prieš naudodami įrenginį ir po bet kokio smūgio patikrinkite, ar nėra susidėvėjimo ar pažeidimo požymių ir, jei reikia, jį suremontuokite.
- Visada tvirtai laikykite žoliapjovę abiem rankomis už rankenų, kai ji veikia. Sugniaužkite pirštus ir nykščius aplink rankenas.
- Saugokitės atsitiktinio paleidimo – draudžiama nešioti žoliapjovę su pirštu ant gaiduko.
- Nenaudokite greta degalų arba sprogojie aplinkoje. Šių įrenginių varikliai paprastai kibirkščiuoja, o kibirkštys gali uždegti garus.
- Nelieskite judančių pavoju dalių neišjungę įrenginio (ar neišėmę akumulatoriaus bloko iš įrenginio) ir nepalaukę, kol judančios pavojingos dalys visiškai sustos.
- Žoliapjovės pažeidimas – jei žoliapjovė atsitrenkia į pašalinį objektą arba jis joje įsipainioja, nedelsdami išjunkite įrenginį, išimkite iš žoliapjovės sudėtinę bateriją, patikrinkite, ar kas nors nepažeista (bet kokie pažeidimai prieš tolesnį darbą turi būti suremontuoti). Nedirbkite su pažeista apsaugos priemone ar rite.
- Jei įrenginys pradeda neįprastai vibruoti, nedelsdami išjunkite variklį, išimkite iš žoliapjovės sudėtinę bateriją ir nustatykite priežastį. Vibracija paprastai įspėja apie problemą. Palaida galvutė gali vibruoti, įskilti, lūžti arba nukristi nuo žoliapjovės, todėl gali sukelti sunkių arba mirtinų sužalojimų. Įsitikinkite, kad pjovimo įtaisas yra pritvirtintas tinkamoje padėtyje. Jeigu galvutė atspalaiduoja po to, kai ji pritvirtinama toje padėtyje, ją iš karto pakeiskite. Niekada nenaudokite žoliapjovės su palaidu pjovimo įtaisu.
- Nedelsdami pakeiskite pjovimo galvutę, jei ji įtrūkusi, pažeista arba susidėvėjusi, net jei tai tik paviršiniai įtrūkimai. Tokie priedai sukdamiesi dideliu greičiu gali subyrėti ir sukelti sunkių arba mirtinų sužalojimų.
- Tikrinkite pjovimo įtaisą reguliariais trumpais intervalais darbo metu arba tuoj pat, jei yra pastebimas pjovimo pobūdžio pokytis.
- Naudokite tik EGO™ patvirtintą polimerinį pjovimo valą (Ø2,0 mm) ir žoliapjovių pjovimo valą, skirtus naudoti su šiais įrankiais. Nors EGO™ žoliapjovei gali tikti ir kai kurie nepatvirtinti priedai, jų naudojimas kelia didelį pavojų ir (arba) gali sugadinti įrenginį.
- Siekiami sumažinti sužalojimų pavojų, niekada nenaudokite vielos arba metalu armuoto pjovimo valo ar kitų medžiagų vietoje nailoninio pjovimo valo. Viela gali nutrūkti ir dideliu greičiu būti sviedžiama į naudotoją arba pašalinius asmenis.
- Siekiami sumažinti sužalojimų pavojų dėl kontrolės praradimo, niekada nedirbkite stovėdami ant kopėčių arba kito nestabilius pagrindo. Niekada nelaikykite pjovimo prietaiso virš juosmens.
- Susidarius šioje instrukcijoje neaprašytai situacijai, būkite atsargūs ir vadovaukitės sveika nuovoka. Pagalbos kreipkitės į EGO aptarnavimo centrą.
- Nekraukite sudėtinės baterijos lietuje arba esant drėgnoms sąlygoms.
- Naudokite tik toliau nurodytas sudėtines baterijas ir įkroviklius:

BATERIJA	ĮKROVIKLIS
BA1120E, BA2240E, BA2800, BA3360, BA4200	CH5500E, CH2100E

- Prieš atiduodant įrenginį į metalo laužą, būtina išimti akumuliatorių.
- Akumuliatorių reikia išmesti saugiai.

- Nemeskite baterijos įgnį. Elementai gali sprogti. Susipažinkite su vietoje galiojančiais teisės aktais, kuriuose gali būti pateikti specialūs šalinimo nurodymai.
- Draudžiama atidaryti arba gadinti bateriją. Išbėgęs elektrolitas sukelia koroziją ir gali pakenkti akims ar odai. Jis gali būti toksiškas priarius.
- Siekdami išvengti trumpojo jungimo atsargiai elkitės su žoliapjovės baterijomis: venkite tokių laidininkų, kaip žiedai, apyrankės ir raktai. Baterija arba laidininkas gali įkaisti ir sukelti nudegimus.
- Atlikdami techninės priežiūros darbus, naudokite tik originalias EGO™ atsargines dalis. Bet kokio kito priedo arba prietaiso naudojimas kelia sužalojimo riziką.
- Baterijų nereikia įjungti į elektros lizdą; jos visada yra darbinės būsenos. Net įrenginiui neveikiant neužmirškite apie jo keliamus pavojus. Atlikdami remonto arba techninės priežiūros darbus, būkite atidūs.
- Neplaukite žoliapjovės su vandens žarna. Saugokite, kad vandens nepatektų ant variklio ir elektros jungčių.
- Išsaugokite šias instrukcijas. Dažnai jas pavartykite ir naudokitės jomis mokydami kitus asmenis, kurie gali naudoti šį prietaisą. Skolindami šį prietaisą kam nors kitam, taip pat paskolinkite ir šias instrukcijas, kad būtų išvengta netinkamo produkto naudojimo arba galimo susižeidimo.
- Dirbdami su įrenginiu, visada avėkite tvirtą avalynę ir mūvėkite ilgas kelnes.
- Dirbdami nuokalnėse judėkite įprastu žingsniu, niekada nebėkite.

IŠSAUGOKITE ŠIAS INSTRUKCIJAS!

TECHNINIAI DUOMENYS

Įtampa	56 V ---
Sūčiai be apkrovos	7000 /min
Pjovimo mechanizmas	Pjovimo galvutė
Pjovimo valo tipas	AL0800 Ø2,0 mm apvalus nailoninis valas
Pjovimo plotis	30 cm
Svoris (be sudėtinės baterijos)	2,85 kg
Išmatuotas garso galios lygis L_{WA}	90,76 dB(A) K= 2,5 dB(A)
Maksimalus garso slėgio lygis ties operatoriaus ausimi L_{PA}	75,0 dB(A) K= 2,5 dB(A)
Garantuojamas garso galios lygis L_{WA} (išmatuotas pagal 2000/14/EB)	91 dB(A)

Vibracija a_n	Priekinė pagalbinė rankena	3,279 m/s ² K=1,5 m/s ²
	Galinė rankena	4,915 m/s ² K=1,5 m/s ²

- Nurodyta bendroji vibracijos vertė išmatuota taikant standartinį bandymo metodą, todėl pagal ją galima palyginti skirtingus įrenginius.
- Nurodytą bendrąją vibracijos vertę taip pat galima naudoti pirminiam poveikio vertinimui.

PASTABA: Naudojant įrenginį realiomis sąlygomis, sklaidžiamos vibracijos stiprumo vertė gali skirtis nuo nurodytos. Kad apsisaugotų dirbdamas realiomis sąlygomis, naudotojas turi mūvėti pirštines ir naudoti ausų apsaugos priemones.

PAKUOTĖS TURINIO SĄRAŠAS

DALIES PAVADINIMAS	SKAIČIUS
Žoliapjovė	1
Apsaugos priemonė	1
Priekinės pagalbinės rankenos blokas	1
Šėšiakampis raktas	1
Naudojimo instrukcija	1

APRAŠAS

SUŽINOKITE, KAIP VEIKIA ŽOLIAPJOVĖ (A pav.)

1. Gaidukas
2. Galinė rankena
3. Fiksavimo svirtis
4. Minkšta mova
5. Reguliuojama priekinė pagalbinė rankena
6. Velenas
7. Apsauga nuo atsitraukimo
8. Atlaisvinimo mygtukas
9. Pjovimo galvutė
10. Apsaugos priemonė
11. Valo nukirtimo peilis
12. Išstūmimo mechanizmas
13. Elektros kontaktai
14. Fiksatorius
15. Akumulatoriaus atlaisvinimo mygtukas

SURINKIMAS

⚠️ ĮSPĖJIMAS: jeigu bet kuri dalis yra sugadinta arba jos trūksta, nenaudokite šio įrenginio, kol ji nebus pakeista. Jeigu įrenginys naudojamas, kai dalys yra sugadintos arba jų trūksta, galima sunkiai susižeisti.

⚠️ ĮSPĖJIMAS: nebandykite keisti šio įrenginio arba kurti priedus, kurių nerekomenduojama naudoti su šia žoliapjove. Bet koks pakeitimas arba modifikavimas yra laikomas netinkamu naudojimu, dėl kurio gali susidaryti pavojingos sąlygos, kurių metu galite sunkiai susižaloti.

⚠️ ĮSPĖJIMAS: Norėdami išvengti atsitiktinio paleidimo, kuris gali lemti sunkų sužalojimą, visada išimkite sudėtinę bateriją šį įrenginio, kai montuojate dalis.

APSAUGOS PRIEMONĖS MONTAVIMAS (B & C & D pav.)

⚠️ ĮSPĖJIMAS: montuodami arba keisdami apsaugos priemonę, visada mūvėkite pirštines. Atidžiai elkitės su ant apsaugos esančiu peiliu ir saugokite rankas nuo įpjovimo.

⚠️ ĮSPĖJIMAS: niekada nenaudokite įrenginio, kai jo apsaugos priemonė nėra tvirtai užfiksuota tinkamoje padėtyje. Apsaugos priemonė visada turi būti ant įrenginio ir saugoti naudotoją! Po to, kai apsaugos priemonė įtvirtinama, niekada nesistenkite jos nuimti arba sureguliuoti. Jeigu ją reikia pakeisti, tai turi atlikti kvalifikuotas techninės priežiūros specialistas!

Pastatykite žoliapjovę galvute aukštyn ir atsukite bei išimkite du varžtus. Sulyginkite iškilusias apsaugos priemonės briaunes su korpuso lizdais, įstatykite apsaugą į vietą ir užfiksuokite dviem varžtais. Įsitinkinkite, kad vidinis apsaugos priemonės paviršius atsuktas į žoliapjovės galvutę.

PRIEKINĖS PAGALBINĖS RANKENOS MONTAVIMAS IR REGULIAVIMAS

Užstumkite priekinę pagalbinę rankeną ant veleno (F pav.), tada į rankenos lizdą (G pav.) įstatykite fiksavimo kaladėlę, uždėkite fiksavimo kaištį ir užfiksuokite juos sparnuotąja veržle (H pav.). Darbo tvarka parodyta E pav. Galiausiai sureguliuokite priekinės pagalbinės rankenos padėtį taip, kad jūsų priekyje laikoma ranka naudojant žoliapjovę būtų ištiesta (I pav.), o tada užrakininkite fiksavimo kaiščio svirtį (J pav.).

Toliau pateiktas E ir I pav. parodytų dalių aprašas:

E-1	Priekinė pagalbinė rankena	E-4	Sparnuotoji veržlė
E-2	Fiksavimo kaištis	I-1	Minkšta mova
E-3	Fiksavimo kaladėlė	I-2	Įspėjamoji etiketė

PASTABA: Priekinė pagalbinė rankena turi būti pasukta į viršų, kad būtų nukreipta į rankenos viršų.

⚠️ ĮSPĖJIMAS: Priekinę pagalbinę rankeną ant veleno tvirtinkite tik priešais minkštą movą.

⚠️ ĮSPĖJIMAS: Šis įrenginys negali būti naudojamas, jei priekinė pagalbinė rankena nėra patikimai pritvirtinta.

NAUDOJIMAS

⚠️ ĮSPĖJIMAS: mokėjimas naudotis įrenginiu nesuteikia teisės dirbti nerūpestingai. Atsiminkite, kad trumpam atitraukę dėmesį galite sunkiai susižaloti.

⚠️ ĮSPĖJIMAS: visada dėvėkite apsauginius akinius su šoniniais skydeliais. Taip pat dėvėkite ausų apsaugą. Nesilaikant šio nurodymo, objektai gali būti sviedžiami jums į akis arba galite būti kitaip sunkiai sužaloti.

⚠️ ĮSPĖJIMAS: nenaudokite bet kokių priedų arba įtaisų, kurių nerekomendavo šio įrenginio gamintojas. Naudodami nerekomenduojamus priedus arba įtaisus galite sunkiai susižaloti.

⚠️ ĮSPĖJIMAS: žoliapjovę su tinkamu pjovimovalu naudokite tik žolės arba panašių augalų pjovimui.

⚠️ ĮSPĖJIMAS: Norėdami išvengti atsitiktinio paleidimo, kuris gali lemti sunkų sužalojimą, visada išimkite sudėtinę bateriją iš įrenginio, kai montuojate dalis, reguliuojate, valote arba nenaudojate įrenginio.

Galite naudoti šį įrenginį toliau išvardytais tikslais:

Apkarpymas: naudojamas pašalinti žolėms ir piktžolėms prie sienų, tvorų, medžių ir bortelių.

Pjovimas: naudojamas žolės pjovimui vietose, kurias sunku pasiekti naudojant įprastą vejąpovę.

PASTABA: Šį įrenginį reikia naudoti tik pagal nurodytą paskirtį. Naudojimas bet kokių kitu tikslu, pvz., pakraščiu apkarpymui, laikomas netinkamu naudojimu.

SUDĖTINĖS BATERIJOS ĮSTATYMAS / IŠĖMIMAS (N pav.)

Prieš naudodami pirmą kartą, visiškai įkraukite.

Įstatant (K pav.)

Sulyginkite baterijos briaunes su įleidimo grioveliais ir paspauskite sudėtinę bateriją žemyn, kol išgirsite trakstelėjimą.

Išimant (L pav.)

⚠️ ĮSPĖJIMAS: spausdami baterijos atkabinimo mygtuką, visada atidžiai stebėkite savo kojas, taip pat šalia esančius vaikus bei gyvūnus. Kridama sudėtinė baterija gali sunkiai sužaloti. NIEKADA nenuimkite akumuliatoriaus aukštyje.

Paspauskite baterijos išėmimo mygtuką ir išimkite sudėtinę bateriją.

ŽOLIAPJOVĖS LAIKYMAS

⚠️ ĮSPĖJIMAS: siekdami sumažinti susižalojimo riziką įrenginio naudojimo metu, tinkamai apsirenkite. Nedėvėkite laisvų drabužių ir nenešiotkite laisvai kabančių papuošalų. Dėvėkite akių ir ausų apsaugas. Mūvėkite tvirtos medžiagos, ilgas kelnes, batus ir pirštines. Nedėvėkite trumpų kelnų, sandalų bei nedirbkite basomis.

Prieš naudojimą suimkite žoliapjovę abiem rankomis, t. y. viena ranka už galinės rankenos, o kita ranka, kuri turėtų būti ištiesta, už priekinės pagalbinės rankenos (M pav.). Įsitikinkite, kad stovite tvirtai, taip pat tinkamas pjovimo atstumas.

ŽOLIAPJOVĖS PALEIDIMAS / STABDYMAS (N pav.)

Paleidžiant

Nuspauskite fiksavimo svirtį ir laikykite ją toje padėtyje. Kad paleistumėte žoliapjovę, nuspauskite gaiduką.

Stabdant

Atleiskite fiksavimo svirtį ir gaiduką.

⚠️ ĮSPĖJIMAS: darydami pertraukas arba baigę darbą, visada išimkite sudėtinę bateriją iš žoliapjovės.

ŽOLIAPJOVĖS NAUDOJIMAS

⚠️ ĮSPĖJIMAS: siekdami išvengti sunkaus susižalojimo, dirbdami su įrenginiu visada dėvėkite apsauginius akinius. Dirbdami dulkėtoje aplinkoje, dėvėkite visą veidą dengiančią kaukę arba respiratorių.

Prieš kiekvieną naudojimą išvalykite pjaunamą plotą. Pašalinkite viską, pavyzdžiui, akmenis, stiklo duženas, vinis, vielas arba laidus, t. y. objektus, kurie pjovimo įtaiso gali būti sviesti į šoną arba įamę įsipainioti. Užtikrinkite, kad darbo zonoje nebūtų vaikų, pašalinių asmenų bei naminių gyvūnų. Vaikai, pašaliniai asmenys bei naminiai gyvūnai turi būti nutolę ne mažesniu kaip 15m atstumu; net ir laikantis šio atstumo, žoliapjovės sviedžiamų objektų pavojus pašaliniams asmenims išlieka. Šalia esantys asmenys turėtų dėvėti akių apsaugą. Jeigu matote jūsų link artėjantį asmenį, nedelsdami išjunkite įrenginį.

Prieš kiekvieną naudojimą patikrinkite, ar nėra sugadintų arba susidėvėjusių dalių

Apžiūrėkite pjovimo galvutę, apsaugos priemonę ir priekinę pagalbinę rankeną. Pakeiskite sutrūkinėjusias, pakeitusias formą, sulinkusias arba bet kaip kitaip pažeistas dalis.

Valo nukirtimo peilis, esantis apsaugos pakraštyje, laikui bėgant gali atšipti. Rekomenduojama reguliariai galąštį jį dilde arba pakeisti nauju.

⚠️ ĮSPĖJIMAS: montuodami apsaugą, galąsdami arba keisdami peilį, visada mūvėkite pirštines. Atidžiai elkitės su ant apsaugos esančiais peiliais ir saugokite rankas nuo įpjovimo.

Po kiekvieno naudojimo žoliapjovę išvalykite.

- Įrenginį valykite tik švelniu valikliu ir drėgna šluoste. Niekada neleiskite jokiam skysčiui patekti į įrenginio vidų; niekada nenardinkite jokios įrenginio dalies į skystį.
- Visada užtikrinkite, kad variklio ventiliacinėse angose ir velene nebūtų žolės likučių (O pav.).

Toliau pateiktas O pav. parodytų dalių aprašas:

O-1	Ventiliacinės angos velene
O-2	Ventiliacinės angos variklio korpuse

⚠️ PERSPĖJIMAS: angose susikaupę likučiai neleidžia orui tekėti į variklio korpuse, dėl to variklis gali perkaisti arba sugesti.

⚠️ ĮSPĖJIMAS: niekada žoliapjovės valymui nenaudokite vandens. Valydami plastikines dalis nenaudokite tirpiklių. Įvairūs komerciniai tirpikliai ardo daugelį plastikų. Norėdami nuvalyti purvą, dulkes, tepalus, riebalus ir pan., naudokite švarias šluostes.

PJOVIMO VALO ILGIO REGULIAVIMAS

Pjovimo galvutė leidžia naudotojui pailginti pjovimo valą neišjungiant variklio. Pjovimo valui susidėvėjus, papildomas valas gali būti ištrauktas lengvai bakstelint atlaisvinimo mygtuku į žemės paviršius žoliapjovės veikimo metu (P pav.).

Norėdami gauti geriausius rezultatus, atlaisvinimo mygtuku bakstelėkite ant tuščio žemės paviršiaus arba kieto grunto. Jei atlaisvinti valą bus bandoma aukštoje žolėje, variklis gali perkaisti. visada užtikrinkite, kad pjovimo valas būtų įtemptas. Kuo pjovimo valas trumpesnis, tuo sudėtingesnis tampa valo pailginimas.

⚠️ ĮSPĖJIMAS: neišimkite ir nekeiskite pjovimo valo nukirtimo peilio konstrukcijos. Per didelio ilgio pjovimo valas gali sukelti variklio perkaitimą ir sunkaus susižalojimo pavojų.

DARBAS SU APSAUGA NUO ATSITRENKIMO

Apsauga nuo atsitrenkimo gali būti pjaunama plotą ir sumažinti besisukančio pjovimo valo keliamos žalos pavojų (Q pav.)

Norėdami naudoti apsaugą nuo atsitrenkimo, atverskite ją žemyn iš jo saugojimo padėties (R pav.).

⚠️ ĮSPĖJIMAS: pjovimo galvutė trumpą laiką po to, kai išjungėte žoliapjovę, dar gali sukisti. Prieš reguliuodami pjovimo galvutės apsaugą nuo atsitrenkimo, palaukite, kol pjovimo galvutė visiškai sustos. Nereguluokite naudodami savo pėdą.

VALO KEITIMAS

PASTABA: visada naudokite standartinį iki Ø2,0 mm skersmens nailoninį pjovimo valą.

⚠️ ĮSPĖJIMAS: niekada nenaudokite metalu armuoto valo, vielos, virvės ar pan. Jie gali nutūkti ir būti pavojingai išsviesti.

Pakeisti pjovimo valą galima dviem būdais:

1. Užvyniojant ant ritės naują valą.
2. Įstatant ritę su iš anksto užvyniotu valu (AS1301, jei reikia, galima rasti pas prekiautoją).

Užvyniojant ant ritės naują valą

Nuspauskite dvi atkabinimo ausėles, esančias ant ritės pagrindo ir išimkite ritės laikiklį (S pav.). Paimkite maždaug 7m naujo pjovimo valo. Sulenkite ir užvyniokite ant ritės, kaip parodyta T & U pav. Valo galus įstatykite į dvi priešingose ritės pusėse esančias išpjovas (V pav.), sulyginę ritės išpjovas, iš kurių yra išsikišę valo galai, su ritės laikiklio angomis, įstatykite ritę į laikiklį (W pav.). Galiausiai sulygininkite laikiklio lizdus su ant ritės pagrindo esančiomis auselėmis ir paspauskite laikiklį tolygiai žemyn užtikrindami, kad jis užsifiksuotų (X pav.).

PASTABA: Prieš sumontuodami pjovimo galvutę visada nuvalykite ritę, ritės laikiklį ir ritės pagrindą. Patikrinkite, ar ritė, ritės laikiklis ir ritės pagrindas nesusidėvėję. Jei reikia, pakeiskite nusidėvėjusias dalis.

PASTABA: jeigu valą užvyniosite netinkama kryptimi, žoliapjovės galvutė veiks netinkamai.

Įstatant ritę su iš anksto užvyniotu valu

Nuspauskite dvi atkabinimo ausėles, esančias ant ritės pagrindo ir išimkite ritės laikiklį (O pav.). Tada į ritės laikiklį įstatykite ritę su iš anksto užvyniotu valu, sulyginę ritės išpjovas su ritės laikiklio angomis. Galiausiai sulygininkite laikiklio lizdus su ant ritės pagrindo esančiomis auselėmis ir paspauskite laikiklį tolygiai žemyn užtikrindami, kad jis užsifiksuotų (S pav.).

Toliau pateiktas W & X pav. parodytų dalių aprašas:

W-1	Išpjova	X-1	Auselė
W-2	Anga	X-2	Lizdas

PASTABA: įsitikinkite, kad ritės pagrindo auselės įsistatė į vietai ir kad ritė nenukris veikimo metu.

TECHNINĖ PRIEŽIŪRA

⚠️ ĮSPĖJIMAS: Atlikdami techninės priežiūros darbus, naudokite tik identiškas atsargines dalis. Įrenginį reguliariai apžiūrėkite ir tvarkykite. Norint užtikrinti saugų ir patikimą gaminio naudojimą visus remonto darbus turi atlikti kvalifikuotas techninės priežiūros specialistas.

⚠️ ĮSPĖJIMAS: Baterijų nereikia įjungti į elektros lizdą; jos visada yra darbinės būsenos. Norėdami išvengti rimtų sužalojimų, imkitės papildomų atsargumo priemonių ir būkite atidūs atlikdami techninę priežiūrą, aptamavimą arba keisdami pjovimo įtaisą ar kitus priedus.

⚠️ ĮSPĖJIMAS: kad išvengtumėte rimto susižalojimo, prieš atlikdami techninę priežiūrą, valydami žoliapjovę, keisdami priedus arba valydami žolės likučius, iš įrenginio išimkite sudėtinę baterijas.

ĮRENGINIO VALYMAS

- Įrenginį valykite šilpnu plovikliu suvilgyta šluoste.
- Nenaudokite jokių stiprių ploviklių plastikinių korpuso arba rankenos dalių valymui. Aromatinės alyvos (pušies arba citrinų kvapo) ir tirpikliai, pvz., žibalas, gali jas sugadinti. Drėgmė taip pat gali kelti elektros smūgio pavojų. Bet kokią drėgmę nuvalykite minkšta sausa šluoste.
- Naudokite mažą šepetėlį arba mažą dulkių siurblio šepetėlį, kad išvalytumėte variklio korpuso ventiliacines angas.

ĮRENGINIO SANDĖLIAVIMAS

- Kai žoliapjovės nenaudojate, išimkite iš jos sudėtinę bateriją.
- Prieš sandėliavimą kruopščiai nuvalykite įrenginį.
- Įrenginį sandėliuokite sausoje, gerai vėdinamoje, rakinamoje patalpoje arba aukštai, vaikams nepasiekiamoje vietoje. Nelaikykite įrenginio ant arba šalia trašų, benzino arba kitų chemikalų.

Aplinkos apsauga



Neišmeskite elektros įrangos, akumuliatoriaus įkroviklio ir baterijų / akumuliatorių su buitiniemis atliekomis!

Pagal Europos Parlamento ir Tarybos direktyvas 2012/19/EB ir 2006/66/EB nenaudojama elektros bei elektronikos įranga ir nenaudojami arba sugedę akumuliatoriai ir (arba) baterijos turi būti surenkami atskirai.

Elektros prietaisus užkasus su atliekomis arba išmetus sąvartynuose, pavojingos medžiagos gali patekti į gruntinį vandenį ir į maisto grandinę, taip pakenkti jūsų sveikatai ir gerovei.

EB ATITIKTIES DEKLARACIJA



Mes, EGO EUROPE GMBH

Wahlwiesenstrasse 1, D-71711 Steinheim an der Murr
Deutschland

pareiškiamo, kad gaminys – **akumuliatorinė žoliapjovė ST1210E su 56V ličio jonų akumuliatoriumi** – atitinka esminius sveikatos ir saugos reikalavimus, išdėstytus šiose direktyvose:

2006/42/EB, 2014/30/ES, 2011/65/ES, 2000/14/EB

Standartai ir techninės specifikacijos, kuriais remiamasi:

EN 60335-1, EN 50636-2-91, EN 55014-1, EN 55014-2

Išmatuotas garso galios lygis: 90,76 dB(A).

Garantuojamas garso galios lygis: 91 dB(A).

VI priedo atitikties įvertinimo procedūra vykdoma pagal 2000/14/EB.

Notifikuotoji įstaiga: Soci t  Nationale de Certification et d'Homologation

Notifikuotosios įstaigos numeris:0499

Peter Melrose
„EGO Europe GmbH“
vykdomasis direktorius

Dong Jianxun
„Chervon“ kokybės vadovas

* (CHERVON įgaliotasis atstovas ir už techninę dokumentaciją atsakingas asmuo)

01/09/2016

TRIKČIŲ DIAGNOSTIKA IR JŲ ŠALINIMAS

PROBLEMA	PRIEŽASTIS	SPRENDIMAS
Žoliapjovės nepavyksta paleisti.	<ul style="list-style-type: none"> ■ Sudėtinė baterija neprijungta prie žoliapjovės. ■ Nėra elektros kontakto tarp žoliapjovės ir baterijos. ■ Sudėtinė baterija visiškai išsikrovusi. ■ Nenuspausta fiksavimo svirtis ir gaidukas. 	<ul style="list-style-type: none"> ■ Prijunkite sudėtinę bateriją akumuliatorių prie vejamajam. ■ Išimkite sudėtinę bateriją, patikrinkite kontaktus ir vėl įstatykite sudėtinę bateriją. ■ Įkraukite akumuliatorių. ■ Kad įjungtumėte žoliapjovę, nuspauskite fiksavimo svirtį ir ją laikykite, o tada nuspauskite gaiduką.
Žoliapjovė sustoja darbo metu.	<ul style="list-style-type: none"> ■ Nesumontuota žoliapjovės apsaugos priemonė, todėl per ilgą pjovimo valas perkrauna variklį. ■ Naudojamas per tvirtas pjovimo valas. ■ Ant variklio veleno arba žoliapjovės galvutės apsvyniojusi žolė. ■ Perkrautas variklis. ■ Sudėtinė baterija arba žoliapjovė yra per daug įkaitusios. ■ Sudėtinė baterija yra atjungta nuo įrenginio. ■ Sudėtinė baterija visiškai išsikrovusi. 	<ul style="list-style-type: none"> ■ Išimkite sudėtinę bateriją ir sumontuokite žoliapjovės apsaugos priemonę. ■ Naudokite tik 2,0 mm skersmens arba plonesnį nailoninį pjovimo valą. ■ Sustabdykite žoliapjovę, išimkite sudėtinę bateriją, tada pašalinkite žolę nuo variklio veleno arba žoliapjovės galvutės. ■ Pašalinkite žolę nuo žoliapjovės galvutės. Kai tik bus pašalinta apkrova, variklis pradės veikti kaip įprasta. Pjaudami judinkite pjovimo galvutę link ir nuo pjaunamos žolės, bei vienu kartu nenuėjaukite daugiau kaip 20 cm. ■ Leiskite sudėtinei baterijai arba žoliapjovei atvėsti, iki temperatūra nukris žemiau 67°C. ■ Vėl įstatykite akumuliatorių. ■ Įkraukite sudėtinę bateriją.

PROBLEMA	PRIEŽASTIS	SPRENDIMAS
Žoliapjovės galvutė nepaduoda pjovimo valo.	<ul style="list-style-type: none"> ■ Ant variklio veleno arba žoliapjovės galvutės apsivyniojusi žolė. ■ Nepakanka pjovimo valo ritėje. ■ Purvina žoliapjovės galvutė. ■ Pjovimo valas susipainiojo ant ritės. ■ Pjovimo valas per trumpas. 	<ul style="list-style-type: none"> ■ Sustabdykite žoliapjovę, išimkite sudėtinę bateriją, tada pašalinkite žolę nuo variklio veleno arba žoliapjovės galvutės. ■ Išimkite sudėtinę bateriją ir pakeiskite pjovimo valą; vadovaukitės šio vadovo skyriumi „VALO KEITIMAS“. ■ Išimkite sudėtinę bateriją ir išvalykite ritę, ritės laikiklį ir ritės pagrindą. ■ Išimkite sudėtinę bateriją, nuvyniokite pjovimo valą ir iš naujo jį užvyniokite; vadovaukitės šio vadovo skyriumi „VALO KEITIMAS“. ■ Išimkite sudėtinę bateriją ir patraukite pjovimo valo galus į priešingas puses spausdami ir atleisdami pjovimo valo atleidimo mygtuką.
Žolė apsivynioja aplink žoliapjovės galvutę ir variklio korpusą.	<ul style="list-style-type: none"> ■ Aukštą žolę pjaukite palei žemę. 	<ul style="list-style-type: none"> ■ Kad išvengtumėte žolės apsivyniojimo Aukštą žolę pjaukite iš viršaus į apačią, vienu kartu nupjaudami ne daugiau kaip 20 cm.
Prastai pjauna valas.	<ul style="list-style-type: none"> ■ Atšipo pjovimo valo nukirtimo peilis, esantis ant apsaugos priemonės krašto. 	<ul style="list-style-type: none"> ■ Valo nukirtimo peilį pagaląskite dilde arba pakeiskite nauju peiliu.

GARANTIJA

EGO GARANTINIS POLISAS

Norėdami sužinoti visas „EGO“ garantinio poliso sąlygas, apsilankykite interneto svetainėje egopowerplus.com.

IZLASIET VISUS NORĀDĪJUMUS!



PERSKAITYKITE NAUDOJIMO INSTRUKCIJU IR ĪSITIKINKITE, AR JĀ SUPRATOTE

⚠ Atlikušā sprieguma apdraudējums! Cilvēkiem, kuri izmanto elektroniskas ierīces, piemēram, elektrokardiostimulatorus, pirms šīs ierīces lietošanas jāpasazinās ar savu ārstējošo ārstu. Elektroierīču darbība tuvu elektrokardiostimulatoram var izraisīt traucējumus vai tā atteici.

⚠ BRĪDINĀJUMS. Lai garantētu drošību un uzticamību, ierīces remontu un tās detaļu nomaiņu veikt drīkst tikai kvalificēts apkopes tehniķis.

DROŠĪBAS APZĪMĒJUMI

Drošības apzīmējumu nolūks ir pievērst uzmanību iespējamiem apdraudējumiem. Drošības apzīmējumiem un to skaidrojumiem jāpievērš īpaša uzmanība, un tie pilnībā jāizprot. Apzīmējumu brīdinājumi paši par sevi nenovērš apdraudējumu. Apzīmējumos iekļautie norādījumi un brīdinājumi neaizstāj atbilstošus darba drošības pasākumus.

⚠ BRĪDINĀJUMS. Pirms šī darbarīka lietošanas noteikti izlasiet un izprotiet visus šajā lietošanas rokasgrāmatā iekļautos norādījumus, tostarp visus drošības brīdinājumu apzīmējumus, piemēram, „**BĪSTAMI**”, „**BRĪDINĀJUMS**” un „**UZMANĪBU!**”. Neievērojot tālāk uzskaitītos norādījumus, var rasties elektrotrauma, aizdegšanās un/vai smaga trauma.

APZĪMĒJUMA NOZĪME

DROŠĪBAS BRĪDINĀJUMA APZĪMĒJUMS: Atbilst norādei **BĪSTAMI**, **BRĪDINĀJUMS** vai **UZMANĪBU!** Var tikt izmantots kopā ar citiem apzīmējumiem un piktogrammām.



⚠ BRĪDINĀJUMS. Mehānizēto darbarīku lietošanas laikā acīs var iekļūt svešķermeņi, kas savukārt var radīt smagu acu traumu. Pirms mehānizētā darbarīka izmantošanas vienmēr uzlieciet aizsargbrilles vai aizsargbrilles ar sānu aizsargiem un pilnu sejas aizsargu (ja nepieciešams). Uz parastajām brillēm vai standartā aizsargbrillēm ar sānu aizsargiem ieteicams uzlikt plata skata leņķa drošības masku.

DROŠĪBAS NORĀDĪJUMI

Šajā lappusē ir parādīti un aprakstīti drošības apzīmējumi, kas var atrasties uz izstrādājuma. Pirms ierīces salikšanas un lietošanas izlasiet, izprotiet un izpildiet visus norādījumus.

	Drošības brīdinājums	Piesardzības pasākumi, kas ietver jūsu drošību.
	Izlasiet lietošanas rokasgrāmatu	Lai mazinātu traumu rašanās bīstamību, pirms šī izstrādājuma lietošanas tā lietotājam jāizlasa un jāizprot lietošanas rokasgrāmata.
	Izmantojiet acu aizsarglīdzekļus	Lietojot šo izstrādājumu, vienmēr izmantojiet aizsargbrilles vai aizsargbrilles ar sānu aizsargiem un pilnu sejas aizsargu.
	Izmantojiet dzirdes aizsarglīdzekļus	Lietojot šo izstrādājumu, vienmēr izmantojiet dzirdes aizsarglīdzekļus.
	Auklas diametrs	Neilona griešanas auklas diametrs
	Griešanas platums	Maksimālais auklas trimera griešanas platums
	Nepakļaujiet lietus iedarbībai	Nelietojiet ierīci lietū un neatstājiet to ārā lietus laikā.
	II klases konstrukcija	Divkāršas izolācijas konstrukcija.
	Nepļaujiet tuvoties nepiederošām personām	Lietojot auklas trimeri, sekojiet, lai citi cilvēki un mājdzīvnieki atrodas vismaz 15m attālumā no ierīces.
	Nepļaujiet tuvoties nepiederošām personām	Lietojot auklas trimeri, sekojiet, lai citi cilvēki un mājdzīvnieki atrodas vismaz 15m attālumā no ierīces.
V	Volti	Spriegums
A	Ampēri	Strāva
Hz	Herci	Frekvence (cikli sekundē)
W	Vati	Jauda

min	Minūtes	Laiks
~	Maiņstrāva	Strāvas veids
≡	Līdzstrāva	Strāvas veids vai raksturlielumi
n ₀	Ātrums bez slodzes	Griešanās ātrums bez slodzes
.../min	Minūtē	Apgriezieni minūtē

SVARĪGI DROŠĪBAS NORĀDĪJUMI

⚠ BRĪDINĀJUMS. Izmantojot auklas trimerus, vienmēr veiciet pamata piesardzības pasākumus, lai mazinātu aizdegšanās, elektrotraumas, traumu rašanās draudus, un ievērojiet tālāk sniegtās norādes.

RŪPĪGI IZLASIET PIRMS LIETOŠANAS

SAGLABĀJIET TURPMĀKĀM UZZIŅĀM

⚠ BĪSTAMI! Elektrotraumas nepieļaušanai nepalūdzieties tikai uz darbarīka izolāciju. Lai mazinātu nāvējošas elektrotraumas draudus, nekādā gadījumā nelietojiet ierīci tādu vadu vai kabeļu tuvumā, kuros varētu plūst strāva.

⚠ UZMANĪBU! Lietojot ierīci, izmantojiet piemērotus dzirdes aizsarglīdzekļus. Dažos gadījumos un zināmā laika intervālā šī izstrādājuma radītais troksnis var izraisīt dzirdes zudumu.

APMĀCĪBA

- Rūpīgi izlasiet visus norādījumus. Iepazīstieties ar izstrādājuma vadības elementiem un pareizu ierīces lietošanu.
- Nekādā gadījumā neļaujiet ierīci lietot cilvēkiem, kas nav iepazinušies ar šiem norādījumiem, kā arī bērniem. Vietējie noteikumi var ierobežot ierīces lietotāja vecumu.
- Ņemiet vērā, ka ierīces lietotājs vai operators ir atbildīgs par negadījumiem vai apdraudējumiem, kas var rasties citiem cilvēkiem vai īpašumam.

SAGATAVOŠANĀS

- Nelietojiet ierīci, ja tuvumā ir cilvēki, it īpaši bērni vai mājdzīvnieki.
- Izmantojot ierīci, vienmēr lietojiet acu aizsarglīdzekļus un izturīgus apavus.

LIETOŠANA

- Lietojiet ierīci tikai dienas laikā vai labā maksīgā apgaismojumā.

- Nekādā gadījumā neizmantojiet ierīci ar bojātiem aizsargiem vai pārsegumiem vai bez aizsargiem un pārsegumiem.
- Iedarbiniet motoru tikai tad, ja rokas un kājas neatrodas griezējelementu tuvumā.
- Vienmēr atvienojiet ierīci no barošanas avota (proti, atvienojiet ierīces barošanas kabeli no elektrotīkla vai noņemiet izslēgšanas ietaisi) šādos gadījumos:
 - atstājot ierīci bez uzraudzības;
 - pirms nosprostošanas tīrīšanas;
 - pirms ierīces pārbaudes, tīrīšanas vai apkopes;
 - pēc ierīces sadursmes ar svešķermeni;
 - ja ierīce sāk neparasti vibrēt.
- Nepieļaujiet traumu rašanos, kājām un rokām saskaroties ar griezējelementiem.
- Gādājiet, lai ventilācijas atverēs nebūtu gružu.

APKOPE UN UZGLABĀŠANA

- Pirms ierīces apkopes vai tīrīšanas atvienojiet to no barošanas avota (proti, atvienojiet ierīces barošanas kabeli no elektrotīkla vai noņemiet izslēgšanas ietaisi).
- Izmantojiet tikai ražotāja ieteiktās rezerves daļas un piederumus.
- Regulāri pārbaudiet ierīci un veiciet tās apkopi. Uzticiet ierīces remontēšanu tikai pilnvarotam remonta tehnikim.
- Ja ierīci nelietojat, novietojiet to bērniem neaizsniežamā vietā.

CITI DROŠĪBAS BRĪDINĀJUMI

- Izvairieties no bīstamas vides. Nelietojiet trimerus mitrās vietās.
- Ja atstājat auklas trimeri bez uzraudzības, vienmēr izslēdziet to vai izņemiet akumulatora bloku.
- Nelietojiet lietū.
- Neļaujiet tuvoties bērniem. Visiem cilvēkiem jāatrodas drošā attālumā no darba vietas.
- Ģērbieties atbilstoši. Nevalkājiet vaļīgas drēbes un rotaslietas. Tās var tikt ierautas kustīgajās daļās. Strādājot ārpus telpām, ieteicams lietot gumijas cimdus un izturīgus apavus. Izmantojiet matu aizsargpasegu, lai saturētu garus matus.
- Lietojiet aizsargbrilles. Strādājot putekļainā vidē, vienmēr izmantojiet sejas vai putekļu masku.
- Lietojiet pareizu darbarīku. Neizmantojiet darbarīku nolūkiem, kuriem tas nav paredzēts.
- Nelietojiet trimeri ar spēku. Darbu varēsiet veikt labāk un ar mazāku traumu rašanās iespējamību, ja lietosiet ierīci darbam paredzētajā tempā.

- Nestiepieties. Vienmēr stāviet stabili un sekojiet līdzsvaram.
- Esiet modrs. Skatieties, ko darāt. Esiet prātīgs. Nelietojiet trimeri, ja esat noguris.
- Nelietojiet trimeri, ja esat alkohola vai medikamentu iespaidā.
- Sekojiet, lai aizsargi atrastos paredzētajās vietās un būtu labā darba stāvoklī.
- Uzglabājiet trimerus telpās. Nelietojot trimeri, tas jāuzglabā telpā — sausā, augstā vai noslēdzamā vietā, pirms tam izņemot akumulatora bloku — bērniem neaizsniedzamā vietā.
- Veiciet trimera apkopi rūpīgi. Lai panāktu labāko darbību un mazinātu traumu rašanās bīstamību, vienmēr turiet griešanas pierīci tīru. Ievērojiet piederumu maiņas norādījumus. Turiet rokturus sausus, tīrus, lai uz tiem nebūtu eļļas un smērvielu.
- Pārbaudiet bojātās daļas. Pirms trimera lietošanas rūpīgi jāpārbauda, vai bojātais aizsargs un citas daļas spēs darboties pareizi un veikt paredzēto uzdevumu. Pārbaudiet kustīgo daļu salāgojumu, daļu iespējamo saskari; pārbaudiet, vai daļas nav salūzušas, pārbaudiet stiprinājumus un iebkādu citu stāvokli, kas var ietekmēt trimera darbību. Bojātais aizsargs vai cita daļa pareizi jāsaņemontē vai jānomaina pilnvarotā apkopes centrā, ja vien šajā rokasgrāmatā nav norādīts citādi.
- Pirms trimera lietošanas atīriet apstrādājamo vietu. Savāciet akmeņus, stikla lauskas, naglas, vadus vai auklas, kas var tikt izsviestas vai iekļūt griešanas pierīcē. Raugieties, lai citi cilvēki un mājdzīvnieki atrastos vismaz 15m attālumā.
- Pirms trimera lietošanas un pēc tā sadursmes ar svešķermeņiem pārbaudiet, vai nav nolietošanās vai bojājumu pazīmju, un, ja nepieciešams, veiciet remontu.
- Lietojot trimeri, vienmēr turiet to stingri, ar abām rokām satverot rokturus. Satveriet rokturus plaukstās.
- Izvairieties no nejaušas ieslēgšanas. Nepārmēršāji turiet, novietojot pirkstu uz pārslēdzēja.
- Nelietojiet trimeri sprādzienbīstamā vidē. Motori šādās ierīcēs parasti rada dzirksteles, kas savukārt var aizdedzināt izgarojumus.
- Nepieskarieties griezējinstrumenta kustīgajām bīstamajām daļām pirms tas nav izslēgts (vai no griezējinstrumenta nav izņemts akumulators) un kustīgās bīstamās daļas nav pilnībā apstājušās.
- Trimera bojājums. Ja trimers saduras ar svešķermeni vai iesprūst, nekavējoties apturiet darbarīku, izņemiet akumulatora bloku, pārbaudiet, vai nav radušies bojājumi, novērsiet tos tikai tad turpiniet ierīces izmantošanu. Nelietojiet trimeri, ja ir bojāta tā aizsargs vai spole.
- Ja trimers sāk pārmērīgi vibrēt, izslēdziet motoru, izņemiet akumulatora bloku un nekavējoties noskaidrojiet vibrācijas iemeslu. Vibrācija parasti liecina par kļūmi. Nenostiprināta galva var vibrēt, ieplaisāt, salūzt vai atdalīties no trimera, radot smagu vai nāvējošu traumu. Pārliecinieties, ka griešanas pierīce ir nostiprināta pareizi. Ja ierīces galva pēc tās nostiprināšanas kļūst vaļīga, nekavējoties nomainiet to. Nekādā gadījumā nelietojiet trimeri ar vaļīgu griešanas pierīci.
- Nekavējoties nomainiet saplaisājušu, bojātu vai nolietoto griešanas galvu pat tad, ja konstatētas tikai nenozīmīgas plaisas. Šādas pierīces var salūzt, griezoties lielā ātrumā, un radīt smagu vai nāvējošu traumu.
- Trimera lietošanas laikā regulāri pārbaudiet griešanas pierīci vai arī dariet to uzreiz, līdzko konstatējat būtiskas izmaiņas griešanas darbībā.
- Izmantojiet tikai EGO™ apstiprinātus polimēra trimera auklas piederumus (Ø2,0 mm) un trimera auklu, kas paredzēta lietošanai kopā ar šiem darbarīkiem. Lai gan ir iespējams uzstādīt uz EGO™ auklas trimera neapstiprinātas pierīces, to izmantošana var būt ārkārtīgi bīstama un/vai sabojāt darbarīkus.
- Lai mazinātu traumu rašanās iespējamību, neilona griešanas auklas vietā nekādā gadījumā nelietojiet metāla vai cita materiāla vadu vai stiepli. Vada daļas var nolūzt un tikt izsviestas lielā ātrumā operatora vai tuvumā esošu cilvēku virzienā.
- Lai mazinātu traumu rašanās iespējamību vadības zuduma dēļ, nekādā gadījumā nestrādājiet, stāvot uz trepēm vai uz cita nedroša balsta. Nekad neturiet griešanas pierīci augstāk par ķermeņa vidukli.
- Gadījumos, kas nav aprakstīti šajā rokasgrāmatā, esiet uzmanīgs un rīkojieties prātīgi. Lai saņemtu palīdzību, sazinieties ar EGO apkopes centru.
- Neuzlādējiet akumulatora bloku lietū vai mitrās vietās.
- Izmantojiet tikai tālāk uzskaitītos akumulatora blokus un lādētājus.

AKUMULATORS	LĀDĒTĀJS
BA1120E, BA2240E, BA2800, BA3360, BA4200	CH5500E, CH2100E

- Pirms izmešanas akumulatora bloks jāizņem no ierīces.
- No akumulatora jāatbrīvojas droši.
- Nemetiet akumulatoru ugunī. Akumulatora elementi var uzsprāgt. Īpašus norādījumus par atbilstošu atbrīvošanos no akumulatoriem meklējiet vietējos normatīvos.

- Neatveriet un nebojāiet akumulatoru. Elektrolīts, kas izplūst, ir korozīvs un var radīt acu un ādas bojājumus. Norijot var būt toksisks.
- Rīkojieties ar akumulatoriem ļoti uzmanīgi, neveidojiet īsslēgumu ar materiāliem, kas vada elektrību, piemēram, gredzeniem, rokassprādzēm un atslēgām. Akumulators vai vads var pārkarst un radīt apdegumus.
- Veicot apkopi, izmantojiet tikai oriģinālās EGO™ rezerves daļas. Citu piederumu vai pierīču lietošana var palielināt traumu gūšanas iespējamību.
- Akumulatora darbarīkus nav nepieciešams pieslēgt elektrofīklam, tādēļ tie vienmēr ir darbības stāvoklī. Pat, ja darbarīks nedarbojas, vienmēr sargieties no iespējama apdraudējuma. Veicot uzturēšanu vai apkopi, esiet piesardzīgs.
- Nemazgājiet ar šūteni; nepieļaujiet ūdens iekļūšanu motorā un elektriskajos savienojumos.
- Saglabājiet šos norādījumus. Regulāri pārskatiet tos un lietojiet, lai iepazīstinātus citus lietotājus, kas arī var izmantot šo darbarīku. Ja kādam aizdodat šo darbarīku, pievienojiet arī šos norādījumus, lai nepieļautu nepareizu darbarīka izmantošanu un traumu rašanos.
- Lietojot trimeri, vienmēr valkājiet izturīgus apavus un garas bikses.
- Stabili stāviet uz nogāzēm; vienmēr ejiet, nekad neskrīniet.

SAGLABĀJIET ŠOS NORĀDĪJUMUS!

SPECIFIKĀCIJAS

Spriegums	56 V ---	
Ātrums bez slodzes	7000 /min	
Griešanas mehānisms	Piespiežamā galva	
Griešanas auklas veids	AL0800 Ø2,0 mm apaļa neilona aukla	
Griešanas platums	30 cm	
Svars (bez akumulatora bloka)	2,85 kg	
Izmērītais skaņas jaudas līmenis L_{WA}	90,76 dB(A) K= 2,5 dB(A)	
Maksimālais skaņas spiediena līmenis pie operatora auss L_{PA}	75,0 dB(A) K= 2,5 dB(A)	
Garantētais skaņas jaudas līmenis L_{WA} (mērīts saskaņā ar 2000/14/EK)	91 dB(A)	
Vibrācija a_h	Priekšējais palīgrokturis	3,279 m/s ² K= 1,5 m/s ²
	Aizmugurējais rokturis	4,915 m/s ² K= 1,5 m/s ²

- Norādītā kopējā vibrācijas vērtība tika mērīta saskaņā ar parastu mērīšanas paņēmieni; tā var tikt izmantota darbarīku salīdzināšanai.
- Norādīto kopējo vibrācijas vērtību var izmantot arī sākotnējai ietekmes izvērtēšanai.

PIEZĪME: Vibrācijas līmenis mehanizētā darbarīka lietošanas laikā var atšķirties no norādītās vērtības, ar kādu tiek lietots darbarīks. Lai aizsargātu operatoru, jāizmanto cimdi un dzirdes aizsarglīdzekļi.

KOMPLEKTĀCIJA

DALIES PAVADINIMAS	SKAIČIUS
Auklas trimēris	1
Aizsargs	1
Priekšējā palīgroktura mezgls	1
Sešstūru uzgriežņu atslēga	1
Lietošanas rokasgrāmata	1

APRAKSTS

IEPAZĪSTIET SAVU AUKLAS TRIMERI (A att.)

1. Pārslēdzējs
2. Aizmugurējais rokturis
3. Bloķēšanas svira
4. Mīkstā uzmava
5. Regulējams priekšējais rokturis
6. Vārpsta
7. Atdures aizsargs
8. Piesitamais izcilnis
9. Piespiežamā galva (griešanas galva)
10. Aizsargs
11. Auklas nogriešanas asmens
12. Atbrīvošanas mehānisms
13. Elektriskie kontakti
14. Fiksators
15. Akumulatora atbrīvošanas poga

MONTĀŽA

▲ BRĪDINĀJUMS. Ja kāda no daļām trūkst vai ir bojāta, nelietojiet šo izstrādājumu, līdz daļas ir nomainītas. Izmantojot šo izstrādājumu, ja trūkst kāda no daļām vai arī tā ir bojāta, var rasties smagas traumas.

⚠ BRĪDINĀJUMS. Nemēģiniet pārveidot šo izstrādājumu vai pievienot piederumus, kuru izmantošana šajā auklas trimērī nav ieteicama. Jebkādas šādas izmaiņas vai pārveidojumi ir ierīces neatbilstoša lietošana un var izraisīt bīstamu situāciju un smagu traumu.

⚠ BRĪDINĀJUMS. Lai nepieļautu nejaušu darbarīka ieslēgšanos (kas var radīt smagas traumas), saliekot to, vienmēr izņemiet no darbarīka akumulatora bloku.

AIZSARGA UZSTĀDĪŠANA (B, C un D attēls)

⚠ BRĪDINĀJUMS. Uzstādot vai nomainot aizsargu, vienmēr valkājiet cimdus. Sargieties no asmens, kas atrodas uz aizsarga, un aizsargājiet rokas pret sagriešanu.

⚠ BRĪDINĀJUMS. Nekādā gadījumā nelietojiet darbarīku, ja aizsargs nav nostiprināts. Aizsargam vienmēr jāatrodas uz darbarīka, lai aizsargātu lietotāju! Pēc aizsarga nostiprināšanas nekad nemēģiniet to noņemt vai regulēt; ja nepieciešama aizsarga nomaiņa, tā jāveic kvalificētam apkopes tehnikim!

Novietojiet trimeri ar galvu uz augšu, izskrūvējiet un izņemiet abas skrūves. Tad salāgojiet vadotnes izciļņus ar korpusa rievām, iebīdīet aizsargu un fiksējiet ar abām skrūvēm. Pārlicinieties, ka aizsarga iekšējā virsma ir vērstā trimera galvas virzienā.

PIEKŠĒJĀ PALĪGROKTURA UZSTĀDĪŠANA UN REGULĒŠANA

Uzbīdīet priekšējo rokturi uz stieņa (F att.), tad roktura atverē ievietojiet stiprinājuma bloku (G att.), uzstādiat fiksācijas stieni un nostipriniet detaļas ar spārnuzgriezni (H att.). Secība ir parādīta E attēlā. Visbeidzot pielāgojiet priekšējā roktura stāvokli, lai jūsu priekšpusē esošā roka, lietojot trimeri, būtu izstiepta (I att.), tad nostipriniet sviru ar fiksācijas stieni (J att.).

E un I attēla detaļu aprakstu skatiet tālāk.

E-1	Priekšējais rokturis	E-4	Spārnuzgrieznis
E-2	Fiksācijas stienis	I-1	Mīkstā uzmava
E-3	Stiprinājuma bloks	I-2	Brīdinājuma plāksnīte

PIEZĪME: Priekšējais rokturim jābūt pagrieztam uz augšu, vērsot to virzienā uz roktura augšdaļu.

⚠ BRĪDINĀJUMS. Nostipriniet priekšējo rokturi tikai stieņa mīkstās uzmavas priekšpusē.

⚠ BRĪDINĀJUMS. Neizmantojiet darbarīku, ja nav droši nostiprināts priekšējais rokturis.

LIETOŠANA

⚠ BRĪDINĀJUMS. Iepazīstot darbu ar šo ierīci, nekļūstiet nolaidīgs. Atcerieties, ka neuzmanība sekundes daļā var radīt smagu traumu.

⚠ BRĪDINĀJUMS. Vienmēr izmantojiet acu aizsarglīdzekļus ar sānu aizsargiem. Kopā ar dzirdes aizsarglīdzekļiem. To nedarot, acis var tikt iesviesti svešķermeņi, kā arī rasties citas smagas traumas.

⚠ BRĪDINĀJUMS. Nelietojiet pierces vai piederumus, ko nav ieteicis šī izstrādājuma ražotājs. Izmantojot citas pierces vai piederumus, var rasties smaga trauma.

⚠ BRĪDINĀJUMS. Lietojiet auklas trimeri, kas aprīkots ar atbilstošu griešanas auklu, tikai zāles vai tam līdzīgu materiālu griešanai.

⚠ BRĪDINĀJUMS. Lai nepieļautu nejaušu darbarīka ieslēgšanos (kas var radīt smagas traumas), saliekot darbarīku, veicot regulēšanu, tīrīšanu vai to nelietojot, vienmēr izņemiet no tā akumulatora bloku.

Šo izstrādājumu var lietot tālāk norādītajiem nolūkiem.

Apgrīšana: izmantojiet zāles un nezāļu nogriešanai pie sienām, žogiem, kokiem un apmalēm.

Griešana: lietojiet zāles nogriešanai vietās, kur ir grūti piekļūt ar parastu zāles pļāvēju jeb pļaujmašīnu.

PIEZĪME: Darbarīku drīkst izmantot tikai aprakstītajam nolūkam. Citu veidu lietošana, piemēram, dzīvzogu apgrīšanai, tiks uzskatīta par nepareizu lietošanu.

AKUMULATORA BLOKA UZSTĀDĪŠANA UN ATVIENOŠANA

Pirms akumulatora lietošanas pilnībā uzlādējiet to.

Piestiprināšana (K att.)

Salāgojiet akumulatora izciļņus ar stiprinājuma rievām un iespīdīet akumulatora bloku, līdz atskan klikšķis.

Atvienošana (L att)

⚠ BRĪDINĀJUMS. Nospiežot akumulatora atbrīvošanas pogu, sargiet kājas un sekojiet, lai tuvumā nebūtu bērnu un mājdzīvnieku. Akumulatora blokam nokrītot, var rasties smaga trauma. **NEKĀDĀ GADĪJUMĀ** nenovietiet akumulatora bloku, atrodoties augstu virs zemes.

Nospīdīet akumulatora atbrīvošanas pogu un izņemiet akumulatora bloku.

AUKLAS TRIMERA TURĒŠANA

▲ BRĪDINĀJUMS. Ģērbieties atbilstīgi, lai mazinātu traumu rašanās draudus, lietojot šo darbarīku. Nevalkājiet vaļiņas drēbes un rotaslietas. Izmantojiet acu un dzirdes aizsarglīdzekļus. Valkājiet izturīgas, garas bikses, apavus un cimdus. Nevalkājiet īsas bikses, sandales; neejiet basām kājām.

Sākot darbu, satveriet trimeri ar abām rokām — novietojiet vienu roku uz aizmugurējā roktura un otru, taisni izstieptu — uz priekšējā roktura (M att.). Tad pārbaudiet, vai stāvat stabili un ir ievērots pareizs griešanas attālums.

AUKLAS TRIMERA IESLĒGŠANA UN APTURĒŠANA (N att.)

Ieslēgšana

Nospiediet bloķēšanas sviru un turiet to šādā stāvoklī. Nospiediet pārslēdzēju, lai ieslēgtu auklas trimeri.

Apturēšana

Atlaidiet bloķēšanas sviru un pārslēdzēju.

▲ BRĪDINĀJUMS. Darba pārtraukumos un pēc darba vienmēr izņemiet no auklas trimera akumulatora bloku.

AUKLAS TRIMERA LIETOŠANA

▲ BRĪDINĀJUMS. Lai nepieļautu smagas traumas rašanos lietojot šo ierīci, vienmēr izmantojiet brilles vai aizsargbrilles. Putekļainā vidē lietojiet sejas vai putekļu masku.

Pirms trimera lietošanas attīriet apstrādājamo vietu. Savāciet akmeņus, stikla lauskas, naglas, vadus vai auklas, kas var tikt izsviestas vai iekļūt griešanas pierīcē. Nepieļaujiet bērnu, citu personu un mājdzīvnieku atrašanos darba vietā. Sekojiet, lai bērni, citas personas un mājdzīvnieki atrastos vismaz 15m attālumā; vēl arvien pastāv apdraudējums, ko rada izsviesti objekti. Sekojiet, lai apkārtnējie izmantotu acu aizsarglīdzekļus. Ja strādājot kāds jums tuvojas, nekavējoties apturiet motoru un griešanas pierīci.

Pirms katras trimera lietošanas reizes pārbaudiet, vai nav bojātu un nodilušu daļu

Pārbaudiet ierīces piespiežamo galvu, aizsargu un priekšējo rokturi un nomainiet detaļas, ja tās ir saplaisājušas, savijušas, salocījušas vai bojātas.

Ar laiku auklas griešanas asmens uz aizsarga var kļūt truls. Ieteicams periodiski asināt asmeni ar vīli vai nomainīt to.

▲ BRĪDINĀJUMS. Uzstādot aizsargu, asinot vai nomainot asmeni, vienmēr valkājiet cimdus. Sargieties no asmens, kas atrodas uz aizsarga, un aizsargājiet rokas pret sagriešanu.

Pēc katras trimera lietošanas notīriet to.

- Darbarīka tīrīšanai izmantojiet tikai maigas ziepes un mitru drānu. Nekādā gadījumā nepieļaujiet šķidruma iekļūšanu darbarīkā; nekad neiegremdējiet šķidrumā nevienu no darbarīka daļām.
- Turiet motora korpusa un vārpstas ventilācijas atveres tīras no gružiem (O att.).

O attēla detaļu aprakstu skatiet tālāk.

O-1	Ventilācijas atveres stienī
O-2	Ventilācijas atveres motora korpusā

▲ UZMANĪBU! Ja ventilācijas atveres būs aizsērējušas, gaiss nevarēs iekļūt motora korpusā un motors pārkarstīs vai tiks bojāts.

▲ BRĪDINĀJUMS. Nekad neīrīet trimeri ar ūdeni. Tīrot plastmasas daļas, neizmantojiet šķīdinātājus. Šķīdinātāji sabojā lielāko daļu plastmasas izstrādājumu. Netīrumu, putekļu, eļļas, smērvielas noņemšanai lietojiet tīras drānas.

GRIEŠANAS AUKLAS GARUMA REGULĒŠANA

Trimera piespiežamā galva ļauj operatoram izbīdīt vairāk griešanas auklas, neapturot motoru. Ja aukla sadīst vai nolietojas, nedaudz piesitot izcilni pret zemi trimera lietošanas laikā, var izbīdīt jaunu auklas garumu (P att.).

Lai to izdarītu veiksmīgāk, piesitiet izcilni uz kailas zemes vai cietas augsnes. Ja auklu izbīda augstā zālē, var pārkarst motors. Vienmēr pilnībā izbīdiet griešanas auklu. Jo īsāka griešanas aukla, jo grūtāk to izbīdīt.

▲ BRĪDINĀJUMS. Nenovietojiet nepārveidojiet auklas griešanas asmens mezglu. Pārmērīgi gara aukla izraisīs motora pārkaršanu, un var rasties smaga trauma.

DARBS AR ATDURES AIZSARGU

Atdures aizsargs spēj ierobežot griešanas auklas griešanas diapazonu un mazināt bojājumu iespējamību, ko rada rotējošā griešanas aukla (Q att.).

Lai izmantotu atdures aizsargu, nolokiet to no uzglabāšanas stāvokļa (R att.).

▲ BRĪDINĀJUMS. Pēc auklas trimera izslēgšanas tā piespiežamā galva var īslaicīgi turpināt griezties. Uzgaidiet, līdz piespiežamā galva pilnībā apstājas, un tikai tad regulējiet atdures aizsargu. Neregulējiet to ar kāju.

AUKLAS MAIŅA

PIEZĪME: Vienmēr izmantojiet standarta neilona griešanas auklu, kuras diametrs nepārsniedz 2,0 mm.

▲ BRĪDINĀJUMS. Nekādā gadījumā nelietojiet metāla stiepli, vadu, trosi, jo tā var salūzt un tikt bīstami izsviesta.

Pastāv divi griešanas auklas maiņas veidi.

1. Uztiniet uz spoles jaunu auklu.
2. Uzstādiēt spoli ar jau iepriekš uzlītu auklu (AS1301, ja nepieciešams, tā ir pieejama pie izplatītāja).

Uztiniet uz spoles jaunu auklu

Nospiediet abus atlaišanas izvīzījumus spoles apakšā un izvelciet spoles turētāju (S att.). Paņemiet aptuveni 7m jaunas griešanas auklas. Salokiet un uztiniet to uz spoles kā parādīts T un U attēlā. Tad izbīdiet auklas galus cauri abiem pretējiem spoles iedobumiem (V att.), ievietojiet spoli tās turētājā un salāgojiet iedobumus ar turētāja actiņām (W att.). Visbeidzot salāgojiet turētāja atveres ar spoles pamatnes izvīzījumiem un vienmērīgi spiediet turētāju uz leju, līdz tas nofiksējas (X att.).

PIEZĪME: Pirms trimera galvas atkārtotas uzstādīšanas vienmēr notīriet spoles turētāju, spoli un spoles pamatni. Pārbaudiet, vai spoles turētājs, spole un spoles pamatne nav nolietojušies. Ja nepieciešams, nomainiet nolietojušās daļas.

PIEZĪME: Ja aukla netiks uzlīta norādītajā virzienā, trimera galva darbosies nepareizi.

Uzstādiēt spoli ar jau iepriekš uzlītu auklu

Nospiediet abus atlaišanas izvīzījumus spoles apakšā un izvelciet spoles turētāju (S att.). Tad ievietojiet spoli ar jau iepriekš uzlītu auklu turētājā, salāgojot iedobumus ar turētāja actiņām (W att.). Visbeidzot salāgojiet turētāja atveres ar spoles pamatnes izvīzījumiem un vienmērīgi spiediet turētāju uz leju, līdz tas nofiksējas (X att.).

W un X attēla detaļu aprakstu skatiet tālāk.

W-1	Iedobums	X-1	Izvīzījums
W-2	Actiņa	X-2	Atvere

PIEZĪME: Pārbaudiet, vai izvīzījumi spoles pamatnē ir fiksēti, lai spole trimera lietošanas laikā neizkrīt.

APKOPE

▲ BRĪDINĀJUMS. Veicot apkopi, izmantojiet tikai identiskas nomaņas daļas. Regulāri pārbaudiet ierīci un veiciet tās apkopi. Lai garantētu drošību un uzticamību, ierīci drīkst remontēt tikai kvalificēts apkopes tehniķis.

▲ BRĪDINĀJUMS. Akumulatora darbarīkus nav nepieciešams pieslēgt elektrotīklam, tādēļ tie vienmēr ir darbības stāvoklī. Lai nepieļautu smagas traumas, uzturēšanas, apkopes vai griešanas pierīci vai citu piederumu maiņas laikā, veiciet papildu piesardzības pasākumus un esiet uzmanīgs.

▲ BRĪDINĀJUMS. Lai nepieļautu smagas traumas, pirms trimera apkopes, tīrīšanas, papildpieriču maiņas vai zāles izņemšanas izņemiet akumulatora bloku.

IERĪCES TĪRĪŠANA

- Tīriet ierīci ar mitru drānu un maigu mazgāšanas līdzekli.
- Netīriet plastmasas korpusu un rokturi ar kodīgiem tīrīšanas līdzekļiem. Plastmasas daļas var sabojāt ar zināmām aromatizētām eļļām, piemēram, priežu un citrona, un šķīdinātājiem, piemēram, petroleju. Elektrotrauma var radīt arī mitrums. Kārtīgi noslaukiet mitrumu ar mikstu, tīru drānu.
- Ventilācijas atveru tīrīšanai korpusa aizmugurē izmantojiet nelielu suku vai nelielu putekļsūcēja suku ar gaisa izplūdi.

IERĪCES UZGLABĀŠANA

- Ja auklas trimeri neizmantojat, izņemiet no tā akumulatora bloku.
- Pirms uzglabāšanas kārtīgi notīriet darbarīku.
- Uzglabājiet ierīci sausā, labi vēdināmā, aizslēdzamā vai augstā — bērniem nepieejamā — vietā. Neuzglabājiet ierīci blakus mēslojumam, degvielai vai citām ķīmikālijām.

Apkārtējās vides aizsardzība



Neizmetiet elektroierīces, akumulatora lādētājus un baterijas/uzlādējamus akumulatorus mājsaimniecības atkritumos!

Saskaņā ar Eiropas likumu 2012/19/ES, un 2006/66/EK nolietotais elektriskais un elektroniskais aprīkojums, bojāti vai lietoti akumulatora bloki/baterijas jāsavāc atsevišķi.

Ja elektroierīces tiek izmestas atkritumu poligonos vai izgāztuvēs, gruntsūdenī var iekļūt bīstamas vielas, piesārņojot barības ķēdi, kaitējot veselībai un labsajūtai.

ES PAZIŅOJUMS PAR ATBILSTĪBU



Mēs, EGO EUROPE GMBH

Wahlwiesenstrasse 1, D-71711 Steinheim an der Murr
Deutschland

paziņojam, ka izstrādājums — **56 voltu litiņa jonu akumulatora bezvadu auklas trimeris ST1210E** — atbilst svarīgām šādu direktīvu veselības un drošības prasībām:

2006/42/EK, 2014/30/ES, 2011/65/ES, 2000/14/EK

Atsauces uz šādiem standartiem un tehniskajiem datiem:

EN 60335-1, EN 50636-2-91, EN 55014-1, EN 55014-2

Izmērītais skaņas jaudas līmenis: 90,76 dB(A).

Garantētais skaņas jaudas līmenis: 91 dB(A).

Atbilstības novērtēšanas procedūra veikta saskaņā ar Direktīvas 2000/14/EK VI pielikuma prasībām.

Paziņotā institūcija: Société Nationale de Certification et d'Homologation

Paziņotās institūcijas numurs:0499

Peter Melrose
„EGO Europe GmbH”
ģenerāldirektors

Dong Jianxun
Chervon kvalitātes nodaļas vadītājs

* (pilnvarotais CHERVON pārstāvis un atbildīgais par tehnisko dokumentāciju)

01/09/2016

KĻŪMJU NOVĒRŠANA

PROBLĒMA	CĒLONIS	RISINĀJUMS
Auklas trimēris neieslēdzas.	<ul style="list-style-type: none"> ■ Trimerī nav uzstādīts akumulatora bloks. ■ Starp trimēri un akumulatoru nav elektriskā savienojuma. ■ Akumulatora bloks ir izlādējies. ■ Vienlaikus nav nospiesta bloķēšanas svira un pārslēdzējs. 	<ul style="list-style-type: none"> ■ Uzstādi trimēri akumulatora bloku. ■ Izņemiet akumulatoru, pārbaudiet kontaktus un ievietojiet atpakaļ. ■ Uzlādējiet akumulatora bloku. ■ Nospiediet bloķēšanas sviru un turiet to, tad nospiediet pārslēdzēju, lai ieslēgtu auklas trimēri.
Auklas trimēris apstājas griešanas laikā.	<ul style="list-style-type: none"> ■ Uz trimēra nav uzstādīts aizsargs, kā rezultātā griešanas aukla ir par garu un rodas motora pārslodze. ■ Izmantota smaga griešanas aukla. ■ Motora vārpstu vai trimēra galvu nosprostojusi zāle. ■ Motora pārslodze. ■ Akumulatora bloks vai auklas trimēris ir pārkaršis. ■ Akumulatora bloks ir atvienots no darbarīka. ■ Akumulatora bloks ir izlādējies. 	<ul style="list-style-type: none"> ■ Izņemiet akumulatora bloku un uzstādi uz trimēra aizsargu. ■ Izmantojiet tikai 2,0 mm vai mazāka diametra neilona griešanas auklu. ■ Apturiet trimēri, izņemiet akumulatoru un izfīriet zāli no motora vārpstas un trimēra galvas. ■ Paceliet trimēra galvu no zāles. Pēc slodzes noņemšanas motors atsāks darboties, kā paredzēts. Griežot ievirziet trimēra galvu griežamajā zālē, noņemot ne vairāk par 20 cm garuma vienā griezumā. ■ Ļaujiet akumulatora blokam vai trimērim atdzist, līdz temperatūra nokrītas zem 67 °C. ■ Uzstādi atpakaļ akumulatora bloku. ■ Uzlādējiet akumulatora bloku.
Trimēra galva neizbīda auklu.	<ul style="list-style-type: none"> ■ Motora vārpstu vai trimēra galvu nosprostojusi zāle. ■ Spolē nepietiek auklas. ■ Trimēra galva ir netīra. ■ Aukla spolē ir sapinusies. ■ Aukla ir par īsu. 	<ul style="list-style-type: none"> ■ Apturiet trimēri, izņemiet akumulatoru un izfīriet zāli no motora vārpstas un trimēra galvas. ■ Izņemiet akumulatoru un nomainiet griešanas auklu; skatiet šīs rokasgrāmatas nodaļu „AUKLAS MAIŅA”. ■ Izņemiet akumulatoru un notīriet spoli, spoles turētāju un spoles pamatni. ■ Izņemiet akumulatoru, izņemiet no spoles auklu un uztiniet no jauna; skatiet šīs rokasgrāmatas nodaļu „AUKLAS MAIŅA”. ■ Izņemiet bateriju un velciet auklu, vienlaikus nospiežot un atlaižot izcilni.

PROBLĒMA	CĒLONIS	RISINĀJUMS
Ap trimera galvu un motora korpusu ir aptinusi zāle.	<ul style="list-style-type: none">■ Garas zāles griešana zemes līmenī.	<ul style="list-style-type: none">■ Grieziet garu zāli no augšas uz leju, katru reizi vienā gājienā nogriežot pa 20 cm, lai nepieļautu zāles aptīšanos.
Aukla netiek pareizi nogriezta.	<ul style="list-style-type: none">■ Ar laiku aizsarga auklas griešanas asmens mala kļūst trula.	<ul style="list-style-type: none">■ Uzasiniet auklas griešanas asmeni ar vīli vai nomainiet to.

GARANTIJA

EGO GARANTIJAS POLITIKA

Lūdzu, apmeklējiet tīmekļa vietni egopowerplus.com, kur pieejama pilna EGO Garantijas politikas noteikumu un nosacījumu versija.

ΔΙΑΒΑΣΤΕ ΟΛΕΣ ΤΙΣ ΟΔΗΓΙΕΣ!



ΔΙΑΒΑΣΤΕ ΚΑΙ ΚΑΤΑΝΟΗΣΤΕ ΤΟ ΕΓΧΕΙΡΙΔΙΟ ΟΔΗΓΙΩΝ

⚠ Υπολειπόμενοι κίνδυνοι! Ανθρώπινοι που φέρουν ηλεκτρονικές συσκευές όπως βηματοδότες πρέπει να συμβουλευούνται τους γιατρούς τους πριν τη χρήση αυτού του προϊόντος. Η λειτουργία ηλεκτρικών εξοπλισμών κοντά σε βηματοδότη μπορεί να προκαλέσει παρεμβολές ή βλάβη στον βηματοδότη.

⚠ ΠΡΟΕΙΔΟΠΟΙΗΣΗ: Για να διασφαλίσετε την ασφάλεια και την αξιοπιστία, όλες οι επισκευές πρέπει να διεξάγονται από εξειδικευμένο τεχνικό του σέρβις.

ΣΥΜΒΟΛΑ ΑΣΦΑΛΕΙΑΣ

Ο σκοπός των συμβόλων ασφαλείας είναι να σας τραβήξουν την προσοχή για ενδεχόμενους κινδύνους. Προσέξτε και κατανοήστε τα σύμβολα ασφαλείας και τις επεξηγήσεις που τα συνοδεύουν. Οι προειδοποιήσεις συμβόλων από μόνες τους δεν εξαλείφουν κανέναν κίνδυνο. Οι οδηγίες και οι προειδοποιήσεις που παρέχουν δεν υποκαθιστούν τα μέτρα σωστής πρόληψης ατυχημάτων.

⚠ ΠΡΟΕΙΔΟΠΟΙΗΣΗ: Βεβαιωθείτε ότι έχετε διαβάσει και κατανοήσει όλες τις οδηγίες ασφαλείας στο παρόν Εγχειρίδιο χειριστή, συμπεριλαμβανομένων όλων των συμβόλων ασφαλείας όπως «**ΚΙΝΔΥΝΟΣ**», «**ΠΡΟΕΙΔΟΠΟΙΗΣΗ**» και «**ΠΡΟΣΟΧΗ**», προτού χρησιμοποιήσετε αυτό το εργαλείο. Η μη τήρηση όλων των παρακάτω οδηγιών μπορεί να οδηγήσει σε ηλεκτροπληξία, πυρκαγιά ή/και σοβαρό ατομικό τραυματισμό.

ΣΗΜΑΣΙΑ ΣΥΜΒΟΛΩΝ

ΣΥΜΒΟΛΟ ΕΙΔΟΠΟΙΗΣΗΣ ΑΣΦΑΛΕΙΑΣ: Υποδηλώνει ΚΙΝΔΥΝΟ, ΠΡΟΕΙΔΟΠΟΙΗΣΗ ή ΠΡΟΣΟΧΗ. Μπορεί να χρησιμοποιείται σε συνδυασμό με άλλα σύμβολα ή εικονογράμματα.






⚠ ΠΡΟΕΙΔΟΠΟΙΗΣΗ: Η λειτουργία ηλεκτρικών εργαλείων μπορεί να επιφέρει εκτόξευση ξένων αντικειμένων στα μάτια σας, με αποτέλεσμα σοβαρή βλάβη σε αυτά. Προτού ξεκινήσετε τη λειτουργία του ηλεκτρικού εργαλείου φοράτε πάντα προστατευτικά γυαλιά ή γυαλιά με πλευρική προστασία και εφόσον απαιτείται πλήρη προστατευτική προσωπίδα. Συστήνουμε μια προσωπίδα ασφαλείας ευρείας όρασης για χρήση πάνω από γυαλιά ή συνθήκη προστατευτικά γυαλιά με πλευρική προστασία.

ΟΔΗΓΙΕΣ ΑΣΦΑΛΕΙΑΣ

Αυτή η σελίδα απεικονίζει και περιγράφει τα σύμβολα ασφαλείας που υπάρχουν ενδεχομένως σε αυτό το προϊόν. Διαβάστε, κατανοείτε και ακολουθείτε όλες τις οδηγίες στη μηχανή προτού προσπαθήσετε να διεξάγετε εργασίες συναρμολόγησης και λειτουργίας.

	Ειδοποίηση ασφαλείας	Προφυλάξεις που σχετίζονται με την ασφαλεία σας.
	Διαβάστε το εγχειρίδιο χρήσης	Προκειμένου να μειωθεί ο κίνδυνος τραυματισμού, ο χρήστης πρέπει να διαβάσει και να κατανοήσει το εγχειρίδιο χρήσης προτού χρησιμοποιήσει αυτό το προϊόν.
	Φοράτε προστατευτικά γυαλιά	Φοράτε πάντοτε προστατευτικά γυαλιά ή γυαλιά ασφαλείας με πλευρική προστασία και πλήρη προστατευτική προσωπίδα κατά τη λειτουργία αυτού του προϊόντος.
	Φοράτε προστατευτικά ακοής	Φοράτε πάντα προστασία ακοής όταν χρησιμοποιείτε αυτό το προϊόν.
	Διάμετρος νήματος	Διάμετρος του νήλιν νήματος κοπής
	Πλάτος κοπής	Μέγ. πλάτος κοπής χλοοκοπτικού με νήμα
	Μην εκθέτετε στη βροχή	Μη χρησιμοποιείτε στη βροχή ή μην αφήνετε σε εξωτερικό χώρο ενώ βρέχει.
	Κατασκευή Κλάσης II	Διπλά μονωμένη κατασκευή.
	Διατηρείτε μακριά τους παρευρισκόμενους	Εξασφαλίστε ότι άλλα άτομα ή κατοικίδια παραμένουν τουλάχιστον 15 μ. μακριά από το χλοοκοπτικό με νήμα όταν αυτό χρησιμοποιείται.

	Διατηρείτε μακριά τους παρευρισκόμενους	Εξασφαλίστε ότι άλλα άτομα ή κατοικίδια παραμένουν τουλάχιστον 15 μ. μακριά από το χλοοκοπτικό με νήμα όταν αυτό χρησιμοποιείται.
V	Volt	Τάση
A	Amperes	Ρεύμα
Hz	Hertz	Συχνότητα (κύκλοι ανά δευτερόλεπτο)
W	Watt	Ισχύς
min	Λεπτά	Χρόνος
	Εναλλασσόμενο ρεύμα	Τύπος ρεύματος
	Συνεχές ρεύμα	Τύπος ή χαρακτηριστικό του ρεύματος
n_0	Ταχύτητα χωρίς φορτίο	Ταχύτητα περιστροφής, χωρίς φορτίο
... /min	Ανά λεπτό	Στροφές ανά λεπτό

ΣΗΜΑΝΤΙΚΕΣ ΟΔΗΓΙΕΣ ΑΣΦΑΛΕΙΑΣ

⚠ ΠΡΟΕΙΔΟΠΟΙΗΣΗ: Όταν χρησιμοποιείτε χλοοκοπτικά με νήμα θα πρέπει να τηρείτε τις βασικές προφυλάξεις ασφάλειας, έτσι ώστε να ελαχιστοποιηθεί ο κίνδυνος πυρκαγιάς, ηλεκτροπληξίας και σωματικών βλαβών, συμπεριλαμβανομένων και των ακούσθων.

ΔΙΑΒΑΣΤΕ ΠΡΟΣΕΚΤΙΚΑ ΠΡΙΝ ΑΠΟ ΤΗ ΧΡΗΣΗ

ΦΥΛΑΞΤΕ ΓΙΑ ΜΕΛΛΟΝΤΙΚΗ ΧΡΗΣΗ

⚠ ΚΙΝΔΥΝΟΣ: Μην επαναπαύεστε στη μόνωση του εργαλείου έναντι ηλεκτροπληξίας. Για τη μείωση κινδύνου ηλεκτροπληξίας ποτέ μη χειρίζεστε το μηχάνημα κοντά σε σύρματα ή καλώδια (ρεύματος κ.λπ.) τα οποία μπορεί να φέρουν ηλεκτρικό ρεύμα.

⚠ ΠΡΟΦΥΛΑΞΗ: Φοράτε κατάλληλη ατομική προστασία ακοής κατά τη χρήση. Υπό ορισμένες συνθήκες και χρονικές διάρκειες χρήσης, ο θόρυβος από αυτό το προϊόν μπορεί να συνεισφέρει σε απώλεια της ακοής.

ΕΚΠΑΙΔΕΥΣΗ

- Διαβάστε με προσοχή όλες τις οδηγίες. Εξοικειωθείτε με τα χειριστήρια και τη σωστή χρήση του μηχανήματος.

- Ποτέ μην επιτρέπετε σε παιδιά, άτομα με μειωμένες φυσικές, αισθητηριακές ή νοητικές δυνατότητες ή με έλλειψη εμπειρίας και γνώσεων ή σε άτομα μη εξοικειωμένα με αυτές τις οδηγίες, να χρησιμοποιούν το μηχάνημα.
- Έχετε υπόψη σας ότι ο χειριστής ή ο χρήστης είναι αποκλειστικά υπεύθυνος για ατυχήματα ή κινδύνους που προκύπτουν προς άλλα άτομα ή την περιοχή τους.

ΠΡΟΕΤΟΙΜΑΣΙΑ

- Μη χρησιμοποιείτε ποτέ τη συσκευή όταν βρίσκονται κοντά άτομα, ιδίως παιδιά ή κατοικίδια.
- Χρησιμοποιείτε προστατευτικά για τα μάτια και ανθεκτικά υποδήματα συνεχώς όταν χρησιμοποιείτε το μηχάνημα.

ΛΕΙΤΟΥΡΓΙΑ

- Χρησιμοποιείτε το μηχάνημα μόνο με το φως της ημέρας ή με καλό τεχνητό φως.
- Μη χρησιμοποιείτε ποτέ το μηχάνημα αν τα προστατευτικά εξαρτήματα ή οι θωρακίσεις είναι χαλασμένα ή αν δεν βρίσκονται στη θέση τους.
- Ενεργοποιείτε τον κινητήρα μόνο όταν τα χέρια και τα πόδια σας βρίσκονται μακριά από τα κοπτικά εξαρτήματα.
- Αποσυνδέετε πάντα το μηχάνημα από την τροφοδοσία ισχύος (δηλαδή απομακρύνετε το βύσμα από το ρεύμα ή αφαιρέστε τη συσκευή απενεργοποίησης).
 - Ποτέ αφήνετε το μηχάνημα ανεπιτήρητο,
 - Πριν καθαρίσετε ένα μπλοκάρισμα,
 - Πριν κάνετε έλεγχο, καθαρισμό ή άλλη εργασία πάνω στο μηχάνημα,
 - Σε περίπτωση που χτυπήσετε σε ξένο αντικείμενο.
 - Αν το μηχάνημα αρχίζει να δονείται αφύσικα.
- Προσέχετε να μην τραυματιστείτε στα πόδια και χέρια από τα κοπτικά εξαρτήματα.
- Φροντίστε τα ανοίγματα εξερισμού να είναι πάντα καθαρά, χωρίς σκουπίδια.

ΣΥΝΤΗΡΗΣΗ ΚΑΙ ΑΠΟΘΗΚΕΥΣΗ

- Αποσυνδέστε το μηχάνημα από την τροφοδοσία ισχύος (δηλαδή απομακρύνετε το βύσμα από το ρεύμα ή αφαιρέστε τη συσκευή απενεργοποίησης) προτού διεξάγετε εργασίες συντήρησης ή καθαρισμού.
- Χρησιμοποιείτε μόνο τα ανταλλακτικά και αξεσουάρ που συνιστώνται από τον κατασκευαστή.
- Ελέγχετε και συντηρείτε τακτικά το μηχάνημα. Οι επισκευές του μηχανήματος πρέπει πάντα να πραγματοποιούνται από ένα εξουσιοδοτημένο κέντρο επισκευής.

- Όταν δεν χρησιμοποιείτε το μηχάνημα, αποθηκεύτέ το σε μέρος όπου δεν πλησιάζουν παιδιά.

ΆΛΛΕΣ ΠΡΟΕΙΔΟΠΟΙΗΣΕΙΣ ΑΣΦΑΛΕΙΑΣ

- Αποφεύγετε επικίνδυνα περιβάλλοντα – Μη χρησιμοποιείτε χλοοκοπτικά σε βρεγμένες ή υγρές τοποθεσίες.
- Απενεργοποιείτε πάντα το χλοοκοπτικό με νήμα ή απομακρύνετε τη συστοιχία μπαταριών όποτε αφήνετε το μηχάνημα ανεπιτήρητο.
- Μη χρησιμοποιείτε στη βροχή.
- Κρατάτε τα παιδιά μακριά – Όλοι οι επισκέπτες πρέπει να παραμένουν σε μια απόσταση από το χώρο εργασίας.
- Ντύνεστε κατάλληλα – Μη φοράτε φαρδιά ρούχα ή κοσμήματα. Είναι πιθανό να εγκλωβιστούν στα κινούμενα εξαρτήματα. Όταν εργάζεστε σε εξωτερικούς χώρους συνιστάται να χρησιμοποιείτε λαστιχένια γάντια και γερά παπούτσια. Φοράτε κάλυμμα κεφαλής για να προφυλάξετε τα μακριά μαλλιά.
- Χρησιμοποιείτε γυαλιά ασφαλείας – Χρησιμοποιείτε πάντα μια μάσκα για το πρόσωπο ή προστατευτικό από τη σκόνη εάν δημιουργείται σκόνη κατά την εργασία.
- Χρησιμοποιείτε το σωστό εργαλείο – Μη χρησιμοποιείτε το εργαλείο για άλλη εργασία από την προοριζόμενη.
- Μη ζορίζετε το χλοοκοπτικό – Η εργασία θα γίνει καλύτερα και με λιγότερους κινδύνους στον ρυθμό για τον οποίο έχει σχεδιαστεί.
- Μην προεκτείνετε – Πατάτε πάντα σταθερά και διατηρείτε την ισορροπία σας.
- Να είστε σε εγρήγορση και να προσέχετε τι κάνετε. Χρησιμοποιείτε κοινή λογική. Μη λειτουργείτε το χλοοκοπτικό όταν είστε κουρασμένοι.
- Μη χρησιμοποιείτε το χλοοκοπτικό εάν είστε υπό την επήρεια αλκοόλ ή φαρμάκων.
- Τα προστατευτικά πρέπει να παραμένουν στη θέση τους και σε άσηψη κατάσταση λειτουργίας.
- Αποθηκεύετε το χλοοκοπτικό σε εσωτερικό χώρο – Όταν δεν το χρησιμοποιείτε πρέπει να το αποθηκεύετε σε εσωτερικό χώρο σε στεγνή τοποθεσία, ψηλά ή σε ασφαλές σημείο, έχοντας αφαιρέσει τη συστοιχία μπαταριών και εκτός εμβέλειας παιδιών.
- Συντηρείτε το χλοοκοπτικό με φροντίδα – Διατηρείτε το προσάρτημα κοπής καθαρό για εξαιρετική απόδοση και για μείωση τραυματισμών. Ακολουθείτε τις οδηγίες σχετικά με την αλλαγή αέσουάρ. Διατηρείτε τις λαβές στεγνές, καθαρές και απομακρύνετε από αυτές τυχόν λάδια και γράσο.
- Ελέγχετε τα φθαρμένα εξαρτήματα – Πριν χρησιμοποιήσετε περαιτέρω το χλοοκοπτικό, πρέπει να ελέγχετε προσεκτικά τα προστατευτικά ή άλλα εξαρτήματα για ενδείξεις βλάβης για να προσδιορίσετε αν θα λειτουργήσουν σωστά και πραγματοποιήσουν τη λειτουργία για την οποία προορίζονται. Ελέγχετε για στρεβλώσεις ή εμπλοκή των κινουμένων εξαρτημάτων, σπάσιμο τμημάτων, ορθή συναρμολόγηση ή οποιαδήποτε άλλη κατάσταση που είναι πιθανό να επηρεάσει τη λειτουργία του ηλεκτρικού εργαλείου. Η καλύτερη ή οποιοδήποτε άλλο τμήμα που έχει φθαρεί θα πρέπει να επισκευαστεί σωστά ή να αντικατασταθεί σε εξουσιοδοτημένο σημείο σέρβις, εκτός κι αν αναφέρεται διαφορετικά στο παρόν εγχειρίδιο.
- Καθαρίζετε την περιοχή κοπής πριν από κάθε χρήση. Απομακρύνετε όλα τα αντικείμενα όπως πέτρες, σπασμένα γυαλιά, καρφιά, σύρματα ή νήματα τα οποία μπορεί να πεταχτούν ή να μπερδευτούν στο προσάρτημα κοπής. Εξασφαλίστε ότι άλλα άτομα και κατοικίδια θα βρίσκονται τουλάχιστο σε απόσταση 15 μ.
- Πριν χρησιμοποιήσετε το μηχάνημα και μετά από οποιαδήποτε πρόσκρουση, ελέγξτε για ενδείξεις φθοράς ή ζημιάς και προβείτε σε επισκευή όπως απαιτείται.
- Κρατάτε πάντα το χλοοκοπτικό σφιχτά και με τα δύο χέρια από τις λαβές κατά τη λειτουργία. Τυλίγετε τα δάχτυλα και τον αντίχειρα γύρω από τις λαβές.
- Αποφεύγετε τυχαία εκκίνηση – Μη μεταφέρετε το χλοοκοπτικό με το δάχτυλο στη σκανδάλη.
- Μη χειρίζεστε το χλοοκοπτικό σε ατμόσφαιρα με βενζίνη ή σε εκρηκτική ατμόσφαιρα. Τα μωτέρ σε αυτές τις συσκευές παρουσιάζουν φυσιολογικά σπινθήρες και οι σπινθήρες μπορεί να αναφλέξουν αέρια.
- Ζημιά στο χλοοκοπτικό – Εάν χτυπήσετε ένα ξένο αντικείμενο με το χλοοκοπτικό ή εάν προκύψει μπλοκάρισμα, σταματήστε το εργαλείο αμέσως, απομακρύνετε τη συστοιχία μπαταριών από το χλοοκοπτικό με νήμα, ελέγξτε για ζημιές και επιτρέψτε την επισκευή πριν από περαιτέρω λειτουργία. Μη χειρίζεστε με σπασμένο προστατευτικό ή καρούλι.
- Εάν ο εξοπλισμός αρχίσει να δονείται μη φυσιολογικά, σταματήστε τον κινητήρα, απομακρύνετε τη συστοιχία μπαταριών από το χλοοκοπτικό με νήμα. Ελέγξτε αμέσως την αιτία. Οι κραδασμοί είναι συνήθως προειδοποίηση προβλημάτων. Μια χαλαρή κεφαλή μπορεί να δονείται, να ραγίσει, να σπάσει ή να ξεφύγει από το χλοοκοπτικό με αποτέλεσμα σοβαρό ή θανατηφόρο τραυματισμό. Βεβαιώστε ότι το εξάρτημα κοπής είναι σωστά στερεωμένο στη θέση του. Εάν η κεφαλή λασκάρει μετά τη στερέωση στη θέση της, αντικαταστήστε την αμέσως. Ποτέ μη χρησιμοποιείτε ένα χλοοκοπτικό με λασκαρισμένο προσάρτημα κοπής.

- Αντικαθιστάτε μια ραγισμένη, με ζημιές ή φθαρμένη κεφαλή κοπής αμέσως, ακόμα και εάν η ζημιά είναι μόνο επιφανειακές ρωγμές. Τέτοια προσαρτήματα μπορεί να σπάσουν σε υψηλή ταχύτητα και να προκαλέσουν σοβαρό ή θανατηφόρο τραυματισμό.
- Ελέγχετε το προσάρτημα κοπής ανά τακτά χρονικά διαστήματα κατά τη λειτουργία ή αμέσως, εάν υπάρχουν αισθητή αλλαγή στη συμπεριφορά κοπής.
- Χρησιμοποιείτε μόνο τα εξουσιοδοτημένα από την EGO™ αξεσουάρ νήματος χλοοκοπτικού από πολυμερές και το νήμα χλοοκοπτικού που έχουν σχεδιαστεί για χρήση με αυτά τα εργαλεία. Παρότι ορισμένα μη εξουσιοδοτημένα προσαρτήματα μπορεί να τοποθετούνται στο χλοοκοπτικό νήματος της EGO™, η χρήση τους μπορεί να είναι εξαιρετικά επικίνδυνη ή/και μπορεί να προκληθεί ζημιά στο εργαλείο.
- Για τη μείωση σοβαρών τραυματισμών, ποτέ μη χρησιμοποιείτε συρμάτινο νήμα ή με μεταλλική ενίσχυση ή άλλα υλικά στη θέση των νάιλον νημάτων κοπής. Τεμάχια σύρματος μπορεί να σπάσουν και να εκτοξευτούν σε υψηλές ταχύτητες προς το χειριστή ή παρευρισκόμενους.
- Για μείωση του κινδύνου τραυματισμού από απώλεια ελέγχου, ποτέ μην εργάζεστε επάνω σε σκάλα ή σε οποιαδήποτε άλλη μη ασφαλή υποστήριξη. Ποτέ μην κρατάτε το προσάρτημα κοπής πάνω από το ύψος μέσης.
- Εάν προκύψουν καταστάσεις που δεν καλύπτονται στο παρόν εγχειρίδιο, να είστε προσεκτικοί και να κρίνετε σωστά. Επικοινωνήστε με το κέντρο σέρβις της EGO για βοήθεια.
- Μη φορτίζετε την μπαταρία στη βροχή ή σε υγρές τοποθεσίες.
- Χρησιμοποιείτε μόνο με συστοιχίες μπαταριών και φορτιστές που αναφέρονται παρακάτω:

ΣΥΣΤΟΙΧΙΑ ΜΠΑΤΑΡΙΩΝ	ΦΟΡΤΙΣΤΗΣ
BA1120E, BA2240E, BA2800, BA3360, BA4200	CH5500E, CH2100E

- Η συστοιχία μπαταριών πρέπει να απομακρυνθεί από τη συσκευή πριν την απόρριψη της τελευταίας.
- Η μπαταρία πρέπει να απορρίπτεται με ασφάλεια.
- Μην απορρίπτετε τις μπαταρίες στη φωτιά. Τα στοιχεία μπορεί να εκραγούν. Ελέγχετε τους τοπικούς κώδικες για πιθανές ειδικές οδηγίες απόρριψης.
- Μην ανοίγετε ή παραμορφώνετε τη μπαταρία. Ο ηλεκτρολύτης που αποδεδειγμένα είναι διαβρωτικός και μπορεί να προκαλέσει βλάβη στα μάτια ή το δέρμα. Μπορεί να είναι τοξικός εάν καταποθεί.

- Να είστε προσεκτικοί κατά το χειρισμό μπαταριών ώστε να μην βραχυκυκλωθεί η μπαταρία με αγώγιμα υλικά όπως δαχτυλίδια, βραχιόλια και κλειδιά. Η μπαταρία ή ο αγωγός μπορεί να υπερθερμανθούν και να προκαλέσουν εγκαύματα.
- Όταν κάνετε συντήρηση του εργαλείου, χρησιμοποιείτε μόνο ίδια ανταλλακτικά της EGO™. Η χρήση οποιοδήποτε άλλου αξεσουάρ ή προσαρτήματος μπορεί να αυξήσει τον κίνδυνο τραυματισμού.
- Τα εργαλεία μπαταρίας δεν πρέπει να συνδέονται σε ηλεκτρική πρίζα. Γι' αυτό βρίσκονται πάντα σε κατάσταση λειτουργίας. Προσέχετε πιθανούς κινδύνους ακόμα και όταν το εργαλείο δεν λειτουργεί. Προσέχετε όταν διεξάγετε συντήρηση ή σέρβις.
- Μην πλένετε με εύκαμπο σωλήνα. Αποφεύγετε να εισέρχεται νερό στον κινητήρα και στις ηλεκτρικές συνδέσεις.
- Φυλάξτε αυτές τις οδηγίες. Ανατρέχετε σε αυτές συχνά και χρησιμοποιείτε τις για να εκπαιδεύετε άλλους που μπορεί να χρησιμοποιήσουν το εργαλείο. Εάν δανείσετε αυτό το εργαλείο σε κάποιον άλλο, δανείστε και αυτές τις οδηγίες, ώστε να εμποδίσετε εσφαλμένη χρήση του προϊόντος και πιθανό τραυματισμό.
- Να φοράτε ανθεκτικά υποδήματα και μακριά παντελόνια κατά τη λειτουργία του μηχανήματος.
- Βεβαιώνετε πάντα ότι στέκεστε καλά σε κεκλιμένα εδάφη και επίσης να περπατάτε, να μην τρέχετε.

ΦΥΛΑΞΤΕ ΑΥΤΕΣ ΤΙΣ ΟΔΗΓΙΕΣ!

ΠΡΟΔΙΑΓΡΑΦΕΣ

Τάση	56 V ---	
Ταχύτητα χωρίς φορτίο	7000 /λεπτό	
Μηχανισμός κοπής	Κεφαλή πρόσκρουσης	
Τύπος νήματος κοπής	AL0800 Ø2,0mm νάιλον στρογγυλό νήμα	
Πλάτος κοπής	30 cm	
Βάρος (χωρίς την μπαταρία)	2,85 kg	
Μετρημένη στάθμη ηχητικής ισχύος L_{WA}	90,76 dB(A) K= 2,5 dB(A)	
Στάθμη ηχητικής πίεσης στη θέση χειριστή L_{PA}	75,0 dB(A) K= 2,5 dB(A)	
Εγγυημένο επίπεδο ισχύος ήχου L_{WA} (σύμφωνα με 2000/14/EC)	91 dB(A)	
Δονήσεις a_h	Οπίσθια λαβή	3,279 m/s ² K=1,5 m/s ²
	Μπροστινή λαβή	4,915 m/s ² K=1,5 m/s ²

- Η αναφερόμενη συνολική τιμή κραδασμών έχει μετρηθεί σύμφωνα με την πρότυπη μέθοδο ελέγχου και μπορεί να χρησιμοποιηθεί για τη σύγκριση ενός εργαλείου με κάποιο άλλο.
- Η αναφερόμενη συνολική τιμή κραδασμών μπορεί να χρησιμοποιηθεί επίσης για την προκαταρκτική αξιολόγηση της έκθεσης.

ΣΗΜΕΙΩΣΗ: Οι εκπομπές κραδασμών κατά τη διάρκεια της πραγματικής χρήσης του ηλεκτρικού εργαλείου μπορεί να διαφέρουν από τη δηλωμένη τιμή στην οποία χρησιμοποιείται το εργαλείο. Για την προστασία του χειριστή, πρέπει να χρησιμοποιούνται γάντια και προστασία της ακοής στις πραγματικές συνθήκες χρήσης.

ΚΑΤΑΛΟΓΟΣ ΕΞΑΡΤΗΜΑΤΩΝ ΣΥΣΚΕΥΑΣΙΑΣ

ΟΝΟΜΑ ΕΞΑΡΤΗΜΑΤΟΣ	ΠΟΣΟΤΗΤΑ
Χλοκοπτικό με νήμα	1
Προστατευτικό	1
Μονάδα λαβής μπροστινής υποβοήθησης	1
Εξάγωνο κλειδί M5	1
Εγχειρίδιο χρήσης	1

ΠΕΡΙΓΡΑΦΗ

ΓΝΩΡΙΣΤΕ ΤΟ ΦΥΣΗΤΗΡΑ ΣΑΣ (Εικ. Α)

1. Σκανδάλη
2. Οπίσθια λαβή
3. Μοχλός ασφάλισης
4. Μαλακό χιτώνιο
5. Ρυθμιζόμενη λαβή μπροστινής υποβοήθησης
6. Άξονας
7. Προστατευτικό πρόσκρουσης
8. Κομπι πρόσκρουσης
9. Κεφαλή πρόσκρουσης (κεφαλή κοπής)
10. Προστατευτικό
11. Νήμα-Λεπίδα κοπής
12. Μηχανισμός εκτόξευσης
13. Ηλεκτρικές επαφές
14. Μάνταλο
15. Κομπι απελευθέρωσης της μπαταρίας

ΣΥΝΑΡΜΟΛΟΓΗΣΗ

⚠️ ΠΡΟΕΙΔΟΠΟΙΗΣΗ: Σε περίπτωση που κάποια από τα εξαρτήματα έχουν υποστεί ζημιά ή λείπουν, μη χρησιμοποιήσετε το μηχάνημα, μέχρι να αντικατασταθούν. Η χρήση αυτού του προϊόντος με φθαρμένα ή ελλειπή εξαρτήματα μπορεί να έχει σαν αποτέλεσμα σοβαρό ατομικό τραυματισμό.

⚠️ ΠΡΟΕΙΔΟΠΟΙΗΣΗ: Μην επιχειρήσετε να τροποποιήσετε αυτό το εργαλείο ή να χρησιμοποιήσετε εξαρτήματα που δεν συστήνονται για χρήση με αυτό το χλοκοπτικό με νήμα. Οποιαδήποτε τέτοια μετατροπή ή τροποποίηση μπορεί να προκαλέσει επικίνδυνες συνθήκες με επακόλουθο σοβαρό τραυματισμό

⚠️ ΠΡΟΕΙΔΟΠΟΙΗΣΗ: Για να εμποδίσετε τυχαία εκκίνηση που θα μπορούσε να προκαλέσει σοβαρό ατομικό τραυματισμό, απομακρύνετε πάντα τη συστοιχία μπαταριών από το εργαλείο όταν συναρμολογήτε εξαρτήματα.

ΤΟΠΟΘΕΤΗΣΗ ΤΟΥ ΠΡΟΣΤΑΤΕΥΤΙΚΟΥ (Εικ. Β & C & D)

⚠️ ΠΡΟΕΙΔΟΠΟΙΗΣΗ: Φοράτε πάντα γάντια κατά την τοποθέτηση ή αντικατάσταση του προστατευτικού. Προσέχετε τη λεπίδα στο προστατευτικό και προστατεύετε το χέρι σας από κοπή.

⚠️ ΠΡΟΕΙΔΟΠΟΙΗΣΗ: Ποτέ μη χειρίζεστε το εργαλείο χωρίς το προστατευτικό στη θέση του. Το προστατευτικό πρέπει να βρίσκεται πάντα στο εργαλείο για την προστασία του χρήστη! Όταν το προστατευτικό έχει στερεωθεί, ποτέ μην προσπαθείτε να το απομακρύνετε ή να το ρυθμίσετε. Εάν απαιτείται αντικατάσταση πρέπει να διεξαχθεί από εξειδικευμένο τεχνικό του σέρβις!

Με την κεφαλή του χλοοκοπτικού προς τα επάνω, λασκάρτε και αφαιρέστε τις δύο βίδες. Κατόπιν ευθυγραμμίστε τις οδηγητικές ραβδώσεις με τις εσοχές περιβλήματος, ωθήστε το προστατευτικό στη θέση του και ασφαλίστε με τις δύο βίδες. Εξασφαλίστε ότι η εσωτερική επιφάνεια του προστατευτικού βλέπει προς την κεφαλή χλοοκοπτικού.

ΤΟΠΟΘΕΤΗΣΗ ΚΑΙ ΡΥΘΜΙΣΗ ΤΗΣ ΛΑΒΗΣ ΜΠΡΟΣΤΙΝΗΣ ΥΠΟΒΟΗΘΗΣΗΣ

Ωθήστε τη λαβή μπροστινής υποβοήθησης επάνω στον άξονα (Εικ. F), κατόπιν εισαγάγετε το μπλοκ σύσφιξης μέσω στην εσοχή λαβής (Εικ. G), τοποθετήστε τη ράβδο ασφάλισης, ασφαλίστε τα αυτά με την πεταλούδα (Εικ. Η). Αυτή η αλληλουχία φαίνεται στην Εικ. Ε. Τέλος ρυθμίστε τη θέση λαβής μπροστινής υποβοήθησης, ο βραχιόνιας σας πρέπει να είναι ίσιος κατά τη χρήση του χλοοκοπτικού (Εικ. Ι) και κατόπιν ασφαλίστε το μοχλό της ράβδου ασφάλισης (Εικ. J).

Εικ. Ε & Ι Για την περιγραφή των εξαρτημάτων δείτε παρακάτω:

E-1	Λαβή μπροστινής υποβοήθησης	E-4	Πεταλούδα
E-2	Ράβδος ασφάλισης	I-1	Μαλακό χιτώνιο
E-3	Μπλοκ σύσφιξης	I-2	Ετικέτα προειδοποίησης

ΣΗΜΕΙΩΣΗ: Η λαβή μπροστινής υποβοήθησης πρέπει να περιστραφεί προς τα επάνω ώστε να δείχνει προς το άνω μέρος της λαβής.

⚠️ ΠΡΟΕΙΔΟΠΟΙΗΣΗ: Στερεώστε τη λαβή μπροστινής υποβοήθησης μόνο μπροστά από το μαλακό χιτώνιο στον άξονα.

⚠️ ΠΡΟΕΙΔΟΠΟΙΗΣΗ: Το εργαλείο δεν μπορεί να χρησιμοποιηθεί χωρίς να έχει στερεωθεί με ασφάλεια η λαβή μπροστινής υποβοήθησης.

ΛΕΙΤΟΥΡΓΙΑ

⚠️ ΠΡΟΕΙΔΟΠΟΙΗΣΗ: Η εξοικειώσή σας με αυτό το προϊόν δε θα πρέπει να σας κάνει λιγότερο προσεκτικούς. Θυμηθείτε πως ένα κλάσμα δευτερολέπτου απροσεξίας μπορεί να προκαλέσει σοβαρό τραυματισμό.

⚠️ ΠΡΟΕΙΔΟΠΟΙΗΣΗ: Φοράτε πάντα προστασία για τα μάτια με πλαινό προστατευτικά, μαζί με προστασία για την ακοή. Σε αντίθετη περίπτωση, είναι πιθανό να υπάρξει εκτόξευση αντικείμενων στα μάτια σας και άλλοι πιθανοί σοβαροί τραυματισμοί.

⚠️ ΠΡΟΕΙΔΟΠΟΙΗΣΗ: Μη χρησιμοποιείτε εξαρτήματα που δε συνιστώνται από τον κατασκευαστή αυτού του προϊόντος. Η χρήση παρελκόμενων ή εξαρτημάτων που δε συνιστώνται από τον κατασκευαστή, ενέχει τον κίνδυνο σοβαρού τραυματισμού.

⚠️ ΠΡΟΕΙΔΟΠΟΙΗΣΗ: Χρησιμοποιείτε το χλοοκοπτικό με νήμα εξοπλισμένο με το κατάλληλο νήμα κοπής μόνο για κοπή γρασιδιού και παρόμοιων υλικών.

⚠️ ΠΡΟΕΙΔΟΠΟΙΗΣΗ: Για να εμποδίσετε τυχαία εκκίνηση που θα μπορούσε να προκαλέσει σοβαρό ατομικό τραυματισμό, απομακρύνετε πάντα τη συστοιχία μπαταριών από το εργαλείο όταν συναρμολογείτε εξαρτήματα, διεξάγετε ρυθμίσεις, καθαρισμό ή σε περίπτωση μη χρήσης.

Μπορείτε να χρησιμοποιήσετε αυτό το προϊόν για τους κατωτέρω αναφερόμενους σκοπούς:

Τριμάρισμα: χρησιμοποιείται για την απομάκρυνση γρασιδιού και αγριόχορτων σε τοίχους, φράχτες, δέντρα και όρια.

Κοπή: χρησιμοποιείται για την κοπή γρασιδιού στο οποίο η πρόσβαση είναι δύσκολη με κανονικό μηχανήμα κοπής χορταριού.

ΣΗΜΕΙΩΣΗ: Το εργαλείο πρέπει να χρησιμοποιείται αποκλειστικά για τη σκοπούμενη χρήση. Οποιαδήποτε άλλη χρήση, για παράδειγμα τριμάρισμα άκρων, θα χαρακτηριστεί ως περίπτωση κακής χρήσης.

ΠΡΟΣΑΡΤΗΣΗ/ΑΠΟΜΑΚΡΥΝΣΗ ΤΗΣ ΣΥΣΤΟΙΧΙΑΣ ΜΠΑΤΑΡΙΩΝ

Φορτίστε πλήρως πριν από την πρώτη χρήση.

Για την προσάρτηση (Εικ. Κ)

Ευθυγραμμίστε τις νευρώσεις μπαταρίας με τις οπές τοποθέτησης και πιέστε τη συστοιχία μπαταριών, έως ότου ακούσετε ένα «κλικ».

Για την απομάκρυνση (Εικ. Λ)

⚠️ ΠΡΟΕΙΔΟΠΟΙΗΣΗ: Προσέχετε πάντα τα πόδια σας, τα παιδιά ή κατοικίδια γύρω σας πιέζετε το κουμπί αποδέσμευσης μπαταρίας. Μπορεί να συμβεί σοβαρός τραυματισμός εάν πέσει κάτω η συστοιχία μπαταριών. ΠΟΤΕ μην απομακρύνετε τη συστοιχία μπαταριών σε υψηλότερο σημείο.

Πιέστε το κουμπί αποδέσμευσης μπαταρίας και βγάλτε έξω τη συστοιχία μπαταριών.

ΤΡΟΠΟΣ ΣΥΓΚΡΑΤΗΣΗΣ ΤΟΥ ΧΛΟΟΚΟΠΤΙΚΟΥ ΜΕ ΝΗΜΑ

⚠ ΠΡΟΕΙΔΟΠΟΙΗΣΗ: Ντύνεστε κατάλληλα για τη μείωση κινδύνου τραυματισμού κατά τη λειτουργία αυτού του εργαλείου. Μη φοράτε φαρδιά ρούχα ή κοσμήματα. Φοράτε προστατευτικά γυαλιά και προστατευτικό αφτιών/ακοής. Φοράτε βαριά, μακριά παντελόνια, μπότες και γάντια. Μην φοράτε κοντά παντελόνια, σανδάλια και μην είστε ξυπόλυτοι.

Πριν τη λειτουργία, κρατήστε το χλοοκοπτικό και με τα δύο χέρια, το ένα χέρι στην πίσω λαβή και το άλλο στη λαβή μπροστινής υποβοήθησης που θα είναι ίσια (Εικ. Μ). Κατόπιν βεβαιωθείτε ότι στέκεστε με ισορροπία και σε σωστή απόσταση κοπής.

ΕΝΑΡΞΗ/ΣΤΑΜΑΤΗΜΑ ΤΟΥ ΧΛΟΟΚΟΠΤΙΚΟΥ ΜΕ ΝΗΜΑ (Εικ. Ν)

Έναρξη

Πατήστε κάτω το μοχλό κλειδώματος και κρατήστε τον σε αυτή τη θέση. Πατήστε τη σκανδάλη για να ενεργοποιηθεί το χλοοκοπτικό με νήμα.

Σταμάτημα

Αποδεσμεύστε το μοχλό κλειδώματος και τη σκανδάλη.

⚠ ΠΡΟΕΙΔΟΠΟΙΗΣΗ: Πάντα απομακρύνετε τη συστοιχία μπαταριών από το χλοοκοπτικό με νήμα κατά τη διάρκεια διαλειμάτων και μετά την ολοκλήρωση της εργασίας.

ΧΡΗΣΗ ΤΟΥ ΧΛΟΟΚΟΠΤΙΚΟΥ ΜΕ ΝΗΜΑ

⚠ ΠΡΟΕΙΔΟΠΟΙΗΣΗ: Προς αποφυγή σοβαρού ατομικού τραυματισμού, φοράτε πάντα προστατευτικά γυαλιά ή γυαλιά προστασίας κατά τη λειτουργία αυτής της μονάδας. Φοράτε μια μάσκα προσώπου ή προστασίας από σκόνη σε τοποθεσίες με σκόνη.

Καθαρίζετε την περιοχή κοπής πριν από κάθε χρήση. Απομακρύνετε όλα τα αντικείμενα όπως πέτρες, σπασμένα γυαλιά, καρφιά, σύρματα ή νήματα τα οποία μπορεί να πεταχτούν ή να μπερδευτούν στο προσάρτημα κοπής. Εκκενώνετε το χώρο από παιδιά, παρευρισκόμενους και κατοικίδια. Τα παιδιά, οι παρευρισκόμενοι και τα κατοικίδια πρέπει να βρίσκονται τουλάχιστον 15 μ. μακριά. Μπορεί να συνεχίζει να υπάρχει κίνδυνος για τους παρευρισκόμενους λόγω εκτοξευόμενων αντικειμένων. Οι παρευρισκόμενοι πρέπει να ενθαρρύνονται να φοράνε προστασία για τα μάτια. Εάν σας προσεγγίσουν, σταματήστε το μοτέρ και το προσάρτημα κοπής αμέσως.

Πριν από κάθε χρήση ελέγχετε για εξαρτήματα με ζημιές/φθορές

Ελέγχετε την κεφαλή πρόσκρουσης, το προστατευτικό και τη λαβή μπροστινής υποβοήθησης και αντικαθιστάτε τα εξαρτήματα που έχουν ρωγμές, παραμόρφωση, λυγίσματα ή ζημιές οποιουδήποτε είδους.

Η λεπίδα κοπής νήματος στο άκρο του προστατευτικού μπορεί να στομώσει με την πάροδο του χρόνου. Συστήνεται να την τροχίζετε ανά τακτά χρονικά διαστήματα με μια λίμα ή να την αντικαθιστάτε με νέα.

⚠ ΠΡΟΕΙΔΟΠΟΙΗΣΗ: Φοράτε πάντα γάντια κατά την τοποθέτηση του προστατευτικού ή κατά το τρόχισμα ή την αντικατάσταση της λεπίδας. Προσέχετε τη λεπίδα στο προστατευτικό και προστατεύετε το χέρι σας από κοπή.

Μετά από κάθε χρήση, καθαρίζετε το χλοοκοπτικό.

- Χρησιμοποιείτε μόνο ήπιο σαπούνι και ένα νωπό πανί για τον καθαρισμό του εργαλείου. Ποτέ μην επιτρέπετε υγρά να φτάνουν στο εσωτερικό του εργαλείου. Ποτέ μην βυθίζετε κανένα τμήμα του εργαλείου μέσα σε υγρά.
- Διατηρείτε πάντα τις σπές αερισμού στο περιβλήμα μοτέρ και τον άξονα ελεύθερες από υπολείμματα (Εικ. Ο).

Εικ. Ο Για την περιγραφή των εξαρτημάτων δείτε παρακάτω:

Ο-1	Οπές αερισμού στον άξονα
Ο-2	Οπές αερισμού στο περίβλημα μοτέρ

⚠ ΠΡΟΦΥΛΑΞΗ: Εμπόδια στις σπές εμποδίζουν ροή του αέρα στο περίβλημα μοτέρ και έχουν σαν αποτέλεσμα υπερθέρμανση ή ζημιά στο μοτέρ.

⚠ ΠΡΟΕΙΔΟΠΟΙΗΣΗ: Ποτέ μη χρησιμοποιείτε νερό για τον καθαρισμό του θαμνοκοπτικού σας. Αποφύγετε τη χρήση διαλυτών κατά τον καθαρισμό των πλαστικών εξαρτημάτων. Τα περισσότερα πλαστικά είναι ευπαθή στη χρήση διαφόρων τύπων διαλυτών του εμπορίου. Χρησιμοποιείτε καθαρό πανί για την απομάκρυνση βρωμιάς, σκόνης, λαδιού, γράσου κτλ.

ΡΥΘΜΙΣΗ ΤΟΥ ΜΗΚΟΥ ΝΗΜΑΤΟΣ ΚΟΠΗΣ

Η κεφαλή πρόσκρουσης επιτρέπει στον χειριστή να αποδεσμεύσει περισσότερο νήμα κοπής χωρίς να σταματήσει το μοτέρ. Καθώς το νήμα ξεφτίζει ή φθείρεται, μπορεί να αποδεσμευτεί περισσότερο νήμα πατώντας ελαφρά το κουμπί πρόσκρουσης στο έδαφος ενώ λειτουργεί το χλοοκοπτικό (Δείτε την Εικ. Ρ).

Για καλύτερα αποτελέσματα, πατήστε το κουμπί πρόσκρουσης στο γυμνό έδαφος ή σε σκληρό χρώμα. Εάν προσπαθήσετε να αποδέσμευσετε νήμα σε ψηλό γρασίδι, το μοτέρ μπορεί να υπερθερμανθεί. Διατηρείτε πάντα το νήμα κοπής σε πλήρη έκταση. Η αποδέσμευση νήματος θα είναι πιο δύσκολη καθώς το νήμα κοπής γίνεται πιο κοντό.

⚠ ΠΡΟΕΙΔΟΠΟΙΗΣΗ: Μην απομακρύνετε ή τροποποιείτε τη μονάδα λεπίδας κοπής νήματος. Υπερβόλιον μήκος νήματος θα προκαλέσει υπερθέρμανση στο μοτέρ και μπορεί να προκύψει σοβαρός ατομικός τραυματισμός.

ΕΡΓΑΣΙΑ ΜΕ ΤΟ ΠΡΟΣΤΑΤΕΥΤΙΚΟ ΠΡΟΣΚΡΟΥΣΗΣ

Το προστατευτικό πρόσκρουσης μπορεί να περιορίσει το εύρος κοπής του νήματος κοπής και να μειώσει τον κίνδυνο του περιστρεφόμενου νήματος κοπής προκαλώντας ζημιά (Εικ. Q)

Για να χρησιμοποιήσετε το προστατευτικό πρόσκρουσης, γυρίστε το κάτω από την αποθηκευμένη του θέση (Εικ. R).

⚠ ΠΡΟΕΙΔΟΠΟΙΗΣΗ: Η κεφαλή πρόσκρουσης μπορεί να συνεχίσει να περιστρέφεται για λίγο, αφότου απενεργοποιήσετε το χλοοκοπτικό με νήμα. Περιμένετε να σταματήσει εντελώς η κεφαλή πρόσκρουσης προτού ρυθμίσετε το προστατευτικό πρόσκρουσης. Μην το ρυθμίζετε με το πόδι σας.

ΑΝΤΙΚΑΤΑΣΤΑΣΗ ΝΗΜΑΤΟΣ

ΣΗΜΕΙΩΣΗ: Χρησιμοποιείτε πάντα το τυπικό νάιλον νήμα κοπής με διάμετρο όχι μεγαλύτερη από Ø 2,0 χιλ.

⚠ ΠΡΟΕΙΔΟΠΟΙΗΣΗ: Ποτέ μη χρησιμοποιείτε νήμα με μεταλλική ενίσχυση, σύρμα, σχοινί κ.λπ. Αυτά μπορεί να σπάσουν και να εκτοξευθούν.

Υπάρχουν δύο μέθοδοι αντικατάστασης του νήματος κοπής:

1. Τυλίξτε στο καρούλι το νέο νήμα.
2. Εγκαταστήστε ένα προτυλιγμένο καρούλι (AS1301, εφόσον απαιτείται, διαθέσιμο στον έμπορο).

Τύλιγμα νέου νήματος στο καρούλι

Πιέστε τις δύο γλωτίδες αποδέσμευσης στη βάση του καρουλιού και τραβήξτε έξω το συγκρατητήρα καρουλιού (Εικ. S). Βγάλτε έξω περίπου 7 μ. από το νέο νήμα κοπής. Διπλώστε και τυλίξτε επάνω στο καρούλι όπως φαίνεται στην Εικ. T & U. Κατόπιν τοποθετήστε τα άκρα νήματος μέσα από τις δύο αντίθετα κείμενες εγκοπές στο καρούλι (Εικ. V) και τοποθετήστε το καρούλι μέσα στον συγκρατητήρα του με τις εγκοπές ευθυγραμμισμένες

με τα οφθαλμίδα συγκρατητήρα (Εικ. W). Τέλος ευθυγραμμίστε τις εσοχές συγκρατητήρα με τις γλωτίδες στη βάση καρουλιού και πατήστε ομοίωμα κάτω το συγκρατητήρα, εξασφαλίζοντας ότι κουμπώνει στη σωστή θέση (Εικ. X).

ΣΗΜΕΙΩΣΗ: Καθαρίζετε πάντα τον συγκρατητήρα καρουλιού, το καρούλι και τη βάση καρουλιού προτού επανασυναρμολογήσετε την κεφαλή χλοοκοπτικού. Ελέγξτε τον συγκρατητήρα καρουλιού, το καρούλι και τη βάση καρουλιού για φθορά. Εφόσον απαιτείται, αντικαταστήστε εξαρτήματα με φθορές.

ΣΗΜΕΙΩΣΗ: Εάν δεν τυλίξετε το νήμα στην απεικονιζόμενη κατεύθυνση, θα προκληθεί εσφαλμένη λειτουργία της κεφαλής χλοοκοπτικού.

Εγκατάσταση ενός προτυλιγμένου καρουλιού

Πιέστε τις δύο γλωτίδες αποδέσμευσης στη βάση καρουλιού και τραβήξτε έξω το συγκρατητήρα καρουλιού (Εικ. S). Κατόπιν τοποθετήστε ένα προτυλιγμένο καρούλι μέσα στον συγκρατητήρα με τις εγκοπές ευθυγραμμισμένες με τα οφθαλμίδα συγκρατητήρα (Εικ. W). Τέλος ευθυγραμμίστε τις εσοχές συγκρατητήρα με τις γλωτίδες στη βάση καρουλιού και πατήστε ομοίωμα κάτω το συγκρατητήρα, εξασφαλίζοντας ότι κουμπώνει στη σωστή θέση (Εικ. X).

Εικ. W & X Για την περιγραφή των εξαρτημάτων δείτε παρακάτω:

W-1	Εγκοπή	X-1	Γλωτίδα
W-2	Οφθαλμίδιο	X-2	Υποδοχή

ΣΗΜΕΙΩΣΗ: Εξασφαλίστε ότι οι γλωτίδες στη βάση καρουλιού κουμπώνουν στη θέση τους ή ότι το καρούλι δεν θα βγει κατά τη λειτουργία.

ΣΥΝΤΗΡΗΣΗ

⚠ ΠΡΟΕΙΔΟΠΟΙΗΣΗ: Όταν κάνετε συντήρηση του εργαλείου, χρησιμοποιείτε μόνο ίδια ανταλλακτικά. Η χρήση οποιωνδήποτε άλλων εξαρτημάτων μπορεί να προκαλέσει κίνδυνο ή υλικές ζημιές. Για να διασφαλίσετε την ασφάλεια και την αξιοπιστία, όλες οι επισκευές και οι αντικαταστάσεις πρέπει να διεξάγονται από εξειδικευμένο τεχνικό του σέρβις.

⚠ ΠΡΟΕΙΔΟΠΟΙΗΣΗ: Τα εργαλεία μπαταρίας δεν πρέπει να συνδέονται σε ηλεκτρική πρίζα. Γι' αυτό βρίσκονται πάντα σε κατάσταση λειτουργίας. Για να εμποδίσετε σοβαρό ατομικό τραυματισμό, λάβετε επιπρόσθετα προληπτικά μέτρα και προσέχετε όταν διεξάγετε συντήρηση, σέρβις ή όταν αλλάζετε προσάρτημα κοπής ή άλλα προσάρτηματα.

⚠ ΠΡΟΕΙΔΟΠΟΙΗΣΗ: Για να εμποδίσετε σοβαρό ατομικό τραυματισμό, απομακρύνετε τη συστοιχία μπαταριών από το εργαλείο πριν από σέρβις, καθαρισμό, αλλαγή πρόσθετων ή αφαίρεση υλικού από τη μονάδα.

ΚΑΘΑΡΙΣΜΟΣ ΤΗΣ ΜΟΝΑΔΑΣ

- Καθαρίζετε τη μονάδα χρησιμοποιώντας ένα νωπό πανί με ήπιο απορρυπαντικό.
- Μη χρησιμοποιήσετε κανένα δραστικό απορρυπαντικό πάνω στο πλαστικό περιβλήμα ή τη λαβή. Αυτά μπορούν να καταστραφούν από ορισμένα αρωματικά έλαια, όπως πεύκο και λεμόνι, καθώς και από διαλύτες, όπως η κηροζίνη. Η υγρασία μπορεί επίσης να προκαλέσει κίνδυνο ηλεκτροπληξίας. Σκουπίζετε ενδεχόμενη υγρασία με ένα μαλακό στεγνό πανί.
- Χρησιμοποιείτε μια μικρή βούρτσα ή την έξοδο αέρα μιας μικρής ηλεκτρικής αναροφητικής βούρτσας για να απομακρύνετε από τις οπές αερισμού εμπόδια στο πίσω περίβλημα.

ΑΠΟΘΗΚΕΥΣΗ ΤΗΣ ΜΟΝΑΔΑΣ

- Απομακρύνετε τη συστοιχία μπαταριών από το χλοοκοπτικό με νήμα όταν δεν χρησιμοποιείται.
- Καθαρίστε το εργαλείο σχολαστικά προτού το αποθηκεύσετε.
- Αποθηκεύετε τη μονάδα σε έναν στεγνό, καλά αεριζόμενο χώρο, κλειδωμένο ή σε ψηλό σημείο, εκτός εμβέλειας παιδιών. Μην αποθηκεύετε τη μονάδα επάνω ή δίπλα σε λιπάσματα, βενζίνη ή άλλες χημικές ουσίες.

Προστασία του περιβάλλοντος



Μην απορρίπτετε τους ηλεκτρικούς εξοπλισμούς, το φορτιστή μπαταρίας και τις μπαταρίες/επαναφορτιζόμενες μπαταρίες στα οικιακά απορρίμματα!

Σύμφωνα με τον Ευρωπαϊκό νόμο 2012/19/ΕΕ, οι ηλεκτρικοί και οι ηλεκτρονικοί εξοπλισμοί που δεν χρησιμοποιούνται πλέον και σύμφωνα με τον Ευρωπαϊκό νόμο 2006/66/ΕΚ, οι ελαττωματικές ή χρησιμοποιημένες συστοιχίες μπαταριών/μπαταρίες πρέπει να συλλέγονται ξεχωριστά.

Εάν οι ηλεκτρικές συσκευές απορριφθούν στο ύπαιθρο ή σε χωματερές, τότε είναι πιθανό να διαρρεύσουν επικίνδυνες ουσίες στα υπόγεια ύδατα, με αποτέλεσμα να περάσουν στην τροφική αλυσίδα, προκαλώντας ζημιές στην υγεία και την φυσική σας κατάσταση.

ΔΗΛΩΣΗ ΣΥΜΜΟΡΦΩΣΗΣ ΕΚ

Εμείς η EGO EUROPE GMBH

Wahlwiesenstrasse 1, D-71711 Steinheim an der Murr Deutschland

Δηλώνουμε ότι ο ΑΣΥΡΜΑΤΟ ΧΛΟΟΚΟΠΤΙΚΟ ΜΕ ΝΗΜΑ ΛΙΘΙΟΥ - ΙΟΝΤΩΝ 56 VOLT ST1210E συμμορφώνεται με τις βασικές απαιτήσεις υγείας και ασφάλειας των ακόλουθων οδηγιών:

2006/42/ΕΚ, 2014/30/ΕΥ, 2011/65/ΕΥ, 2000/14/ΕΚ

Πρότυπα και τεχνικές προδιαγραφές στα οποία γίνεται αναφορά:

EN 60335-1, EN 50636-2-91, EN 55014-1, EN 55014-2

Μετρημένη στάθμη ισχύος ήχου: 90,76 dB(A).

Εγγυημένη στάθμη ηχητικής ισχύος: 91 dB(A).

Η διαδικασία αξιολόγησης συμμόρφωσης Παραρτήματος VI διεξάγεται σύμφωνα με τη διάταξη 2000/14/ΕΚ.

Φορέας κοινοποίησης: Soci t  Nationale de Certification et d'Homologation

Αριθμός φορέα κοινοποίησης: 0499

Peter Melrose

Διευθύνων Σύμβουλος της
EGO Europe GmbH

Dong Jianxun

Διευθυντής ποιότητας της
Chervon

* (Εξουσιοδοτημένος εκπρόσωπος της CHERVON και υπεύθυνος για την τεχνική τεκμηρίωση)

01/09/2016

ΑΝΤΙΜΕΤΩΠΙΣΗ ΠΡΟΒΛΗΜΑΤΩΝ

ΠΡΟΒΛΗΜΑ	ΑΙΤΙΑ	ΕΠΙΛΥΣΗ
Το χλοοκοπτικό με νήμα δεν εκκινείται.	<ul style="list-style-type: none"> ■ Η συστοιχία μπαταριών δεν έχει προσαρτηθεί στο χλοοκοπτικό. ■ Δεν υπάρχει ηλεκτρική επαφή μεταξύ του χλοοκοπτικού και της μπαταρίας. ■ Η συστοιχία μπαταριών έχει εξαντληθεί. ■ Ο μοχλός ασφάλισης και η σκανδάλη δεν πατήθηκαν ταυτόχρονα. 	<ul style="list-style-type: none"> ■ Τοποθετήστε τη συστοιχία μπαταριών στο χλοοκοπτικό. ■ Απομακρύνετε τη μπαταρία, ελέγξτε τις επαφές και επανεγκαταστήστε τη συστοιχία μπαταριών. ■ Φορτίστε τη συστοιχία μπαταριών. ■ Πατήστε κάτω το μοχλό ασφάλισης και κρατήστε τον, κατόπιν πιέστε τη σκανδάλη για να ενεργοποιήσετε το χλοοκοπτικό με νήμα.
Το χλοοκοπτικό ΜΕ ΝΗΜΑ σταματάει κατά την κοπή.	<ul style="list-style-type: none"> ■ Το προστατευτικό δεν έχει τοποθετηθεί στο χλοοκοπτικό με αποτέλεσμα εξαιρετικά μακριά γραμμή κοπής και υπερφόρτωση του μοτέρ. ■ Χρησιμοποιείται βαριά γραμμική κοπή. ■ Ο άξονας μοτέρ ή η κεφαλή χλοοκοπτικού έχουν μπλοκαριστεί με γρασίδι. ■ Το μοτέρ έχει υπερφορτωθεί. ■ Η συστοιχία μπαταριών ή το χλοοκοπτικό με νήμα είναι πολύ καυτά. ■ Η συστοιχία μπαταριών έχει αποσυνδεθεί από το εργαλείο. ■ Η συστοιχία μπαταριών έχει εξαντληθεί. 	<ul style="list-style-type: none"> ■ Απομακρύνετε τη συστοιχία μπαταριών και τοποθετήστε το προστατευτικό στο χλοοκοπτικό. ■ Χρησιμοποιείτε μόνο με νάιλον νήμα κοπής διαμέτρου 2,0 χιλ. ή μικρότερης. ■ Σταματήστε το χλοοκοπτικό, απομακρύνετε τη μπαταρία και αφαιρέστε το γρασίδι από τον άξονα μοτέρ και την κεφαλή χλοοκοπτικού. ■ Απομακρύνετε την κεφαλή χλοοκοπτικού από το γρασίδι. Το μοτέρ θα συνεχίσει να λειτουργεί μόλις αφαιρεθεί το φορτίο. Κατά την κοπή μετακινείτε την κεφαλή χλοοκοπτικού μέσα και έξω από το γρασίδι που θα κοπεί και μην απομακρύνετε σε μήκος περισσότερο από 20 εκ. σε μια μόνο κοπή. ■ Επιτρέψτε να κρυώσει η συστοιχία μπαταριών ή το χλοοκοπτικό, έως ότου η θερμοκρασία πέσει κάτω από τους 67°C. ■ Επανεγκαταστήστε τη συστοιχία μπαταριών. ■ Φορτίστε τη συστοιχία μπαταριών.

ΠΡΟΒΛΗΜΑ	ΑΙΤΙΑ	ΕΠΙΛΥΣΗ
Η κεφαλή χλοοκοπτικού δεν προωθεί νήμα.	<ul style="list-style-type: none"> ■ Ο άξονας μοτέρ ή η κεφαλή χλοοκοπτικού έχουν μπλοκαριστεί με γρασίδι. ■ Δεν υπάρχει επαρκές νήμα στο καρούλι. ■ Η κεφαλή χλοοκοπτικού είναι βρώμικη. ■ Το νήμα έχει μπλοκάρει στο καρούλι. ■ Το νήμα είναι πολύ κοντό. 	<ul style="list-style-type: none"> ■ Σταματήστε το χλοοκοπτικό, απομακρύνετε τη μπαταρία και αφαιρέστε το γρασίδι από τον άξονα μοτέρ και την κεφαλή χλοοκοπτικού. ■ Απομακρύνετε τη μπαταρία και αντικαταστήστε το νήμα κοπής. Ακολουθήστε το απόσπασμα «ΑΝΤΙΚΑΤΑΣΤΑΣΗ ΝΗΜΑΤΟΣ» στο παρόν εγχειρίδιο. ■ Απομακρύνετε τη μπαταρία και καθαρίστε το καρούλι, το συγκρατητήρα καρουλιού και τη βάση καρουλιού. ■ Απομακρύνετε τη μπαταρία, αφαιρέστε το νήμα από το καρούλι και ξανατυλίξτε. Ακολουθήστε το απόσπασμα «ΑΝΤΙΚΑΤΑΣΤΑΣΗ ΝΗΜΑΤΟΣ» στο παρόν εγχειρίδιο. ■ Απομακρύνετε τη μπαταρία και τραβήξτε το νήμα ενώ πατάτε κάτω και αποδεσμεύετε διαδοχικά το κουμπί πρόσκρουσης.
Τυλίγεται γρασίδι γύρω από την κεφαλή χλοοκοπτικού και από το περίβλημα μοτέρ.	<ul style="list-style-type: none"> ■ Κοπή ψηλού γρασιδιού στο επίπεδο εδάφους. 	<ul style="list-style-type: none"> ■ Κόβετε ψηλό γρασίδι από επάνω προς τα κάτω, απομακρύνοντας όχι περισσότερα από 20 εκ. σε κάθε διέλευση, ώστε να εμποδισετε τύλιξη.
Το νήμα δεν κόβει καλά.	<ul style="list-style-type: none"> ■ Η λεπίδα κοπής νήματος στο άκρο του προστατευτικού έχει στομώσει. 	<ul style="list-style-type: none"> ■ Τροχίστε τη λεπίδα κοπής νήματος με μια λίμα ή αντικαταστήστε με μια νέα λεπίδα.

ΕΓΓΥΗΣΗ

ΠΟΛΙΤΙΚΗ ΕΓΓΥΗΣΗΣ EGO

Επισκεφθείτε την ιστοσελίδα egopowerplus.com για όλους τους όρους και τις προϋποθέσεις της πολιτικής εγγύησης EGO.

TÜM TALIMATLARI OKUYUN!



KULLANMA KILAVUZUNU OKUYUP ANLAYIN

Artık risk! Kalp pili gibi elektronik cihaz kullanan kişiler bu ürünü kullanmadan önce hekimlerine danışmalıdır. Elektrikli cihazların, kalp pili yakınında çalıştırılması kalp pilinde parazitte veya arızaya neden olabilir.

UYARI: Güvenliği ve güvenilirliği sağlamak için, tüm onarım işlemleri yetkili bir servis teknisyeni tarafından gerçekleştirilmelidir.

GÜVENLİK SEMBOLLERİ

Güvenlik sembollerinin amacı olası tehlikelere dikkatinizi çekmektir. Güvenlik sembolleri ve yanlarındaki açıklamalar özel dikkat ve anlayış göstermenizi gerektirir. Uyarı sembolleri kendi başlarına herhangi bir tehlikeyi gidemez. Sundukları talimat ve uyarılar uygun kaza önleme önlemlerinin yerine geçmez.

UYARI: Bu aleti kullanmadan önce, „**TEHLİKE**“, „**UYARI**“ ve „**DİKKAT**“ gibi tüm güvenlik uyarı ve sembollerini içeren bu Kullanım Kılavuzu içerisindeki tüm güvenlik talimatlarını okuyup anladığınızdan emin olun. Aşağıdaki talimatların tamamına uyulmaması elektrik çarpması, yangın ve/veya ciddi kişisel yaralanma ile sonuçlanabilir.

SEMBOLÜN ANLAMI

GÜVENLİK UYARI SEMBOLÜ: TEHLİKE, UYARI veya DİKKAT edilmesi gereken durumları gösterir. Diğer semboller veya resimlerle birlikte kullanılabilir.



UYARI: Herhangi bir elektrikli aletin kullanımı yabancı nesnelerin gözlerinize fırlatılması sonucunu doğurabilir, bu da gözlerde ciddi hasara yol açabilir. Elektrikli aleti kullanmaya başlamadan önce, daima göz koruması veya yan siperleri olan koruyucu gözlük takın ve gerektiğinde tam yüz siperi kullanın. Gözlük üzerine kullanım için Wide Vision Koruyucu Maske ya da yan siperleri olan standart koruyucu gözlükleri tavsiye ederiz.

GÜVENLİK TALIMATLARI

Bu sayfada, bu ürün üzerinde görülebilecek güvenlik sembolleri gösterilmekte ve açıklanmaktadır. Makineyi monte etmeye ve kullanmaya başlamadan önce, makineye ilişkin tüm talimatları okuyup anlayın ve bu talimatlara uyun.

	Güvenlik Uyarısı	Güvenliğinizle ilgili önlemler.
	Kullanım Kılavuzunu Okuyun	Yaralanma riskini azaltmak için, kullanıcı bu ürünü kullanmadan önce kullanım kılavuzunu okuyup anlamalıdır.
	Koruyucu Gözlük Takın	Bu ürünü çalıştırırken daima göz koruması, yan siperleri olan koruyucu gözlük ya da tam yüz maskesi kullanın.
	Kulak Koruması Takın	Bu ürünü kullanırken daima kulak koruması kullanın.
	Misina Çapı	Naylon kesim ipinin çapı
	Kesim Genişliği	Misinalı çim biçme makinesinin maks. kesim genişliği
	Yağmura Maruz Bırakmayın	Bu ürünü yağmur altında kullanmayın veya yağmur yağarken dışarıda bırakmayın.
	Sınıf II Yapı	Çift yalıtımlı yapı.
	Üçüncü Şahısları Uzak Tutun	Misinalı çim biçme makinesi kullanılırken diğer insanların ve evcil hayvanların en az 15m uzakta olduklarından emin olun.
	Üçüncü Şahısları Uzak Tutun	Misinalı çim biçme makinesi kullanılırken diğer insanların ve evcil hayvanların en az 15m uzakta olduklarından emin olun.
V	Volt	Voltaj

A	Amper	Akım
Hz	Hertz	Frekans (saniyedeki dönüş sayısı)
W	Watt	Güç
min	Dakika	Zaman
~	Alternatif Akım	Akım türü
≡	Doğru Akım	Akım türü ve özelliği
n_0	Yüksüz Hız	Yüksüz dönüş hızı
... /min	Dakika Başına	Dakika başına dönüş

ÖNEMLİ GÜVENLİK TALİMATLARI

⚠ UYARI: Misinalı çim biçme makinesini kullanırken, yangın, elektrik çarpması ve kişisel yaralanma riskini azaltmak için aşağıdakiler de dahil olmak üzere temel güvenlik önlemlerine daima uyulmalıdır:

KULLANMADAN ÖNCE DİKKATLİCE OKUYUN

GELECEKTE BAŞVURU AMACIYLA SAKLAYIN

⚠ TEHLİKE: Elektrik çarpmasına karşı aletin yalıtımına güvenmeyin. Elektrik çarpma riskini azaltmak için, makineyi asla akım taşıyabilecek kabloların (elektrik kablosu, vb.) yakınında kullanmayın.

⚠ DİKKAT: Cihazı kullanırken uygun kişisel kulak koruması kullanın. Bazı koşullar altında veya kimi kullanımlarda, bu üründen çıkan ses işitme kaybına yol açabilir.

EĞİTİM

- Talimatları dikkatle okuyun. Cihazın kumandalarını ve uygun kullanım şeklini öğrenin.
- Kullanım talimatları hakkında yeterli bilgiye sahip olmayan kişilerin cihazı kullanımına asla izin vermeyin. Yerel yönetmelikler kullanıcı yaşına sınırlama getirebilir.
- Operatör veya kullanıcının, diğer kişilerin veya eşyaların başına gelebilecek yaralanma veya hasarlardan sorumlu olduğunu unutmayın.

HAZIRLIK

- Makineyi asla yakınızdaki başkaları, özellikle de çocuklar veya evcil hayvanlar varken kullanmayın.
- Cihazı çalıştırırken daima göz koruması ve sağlam ayakkabı kullanın.

ÇALIŞTIRMA

- Makineyi sadece gün ışığında veya iyi aydınlatılmış yerlerde kullanın.
- Makineyi asla hasarlı koruyucu donanımla veya koruyucu donanım takılı değilken kullanmayın.
- Motoru sadece el ve ayaklar kesim araçlarından uzakta olduğunda çalıştırın.
- Aşağıdaki durumlarda daima makinenin güç kaynağı ile bağlantısını kesin (örn. fişini çekin veya emniyete alın).
 - makineyi gözetimsiz bıraktığınızında;
 - bir tıkanıklığı gidermeden önce;
 - cihazı kontrol etmeden, temizlemeden veya üzerinde herhangi bir çalışma yürütmeden önce;
 - yabancı bir cisme çarptıktan sonra;
 - makine anormal bir sarsıntı gösterdiğinde.
- Yaralanmamak için ellerinizi ve ayaklarınızı kesim parçalarından uzak tutun.
- Havalandırma boşluklarında artık olmadığından emin olun.

BAKIM VE SAKLAMA

- Bakım veya temizlik işlemlerini gerçekleştirmeden önce daima makinenin güç kaynağı ile bağlantısını kesin (örn. fişini çekin veya emniyete alın).
- Sadece üretici tarafından önerilen yedek parça ve aksesuarları kullanın.
- Makineyi düzenli olarak kontrol edin ve bakımını yapın. Makinenin sadece yetkili bir uzman tarafından tamir edilmesini sağlayın.
- Kullanmadığınız zaman, makineyi çocukların ulaşamayacağı bir yerde saklayın.

DiĞER GÜVENLİK UYARILARI

- Tehlikeli ortamlardan uzak durun – Biçicileri rutubetli veya ıslak ortamlarda kullanmayın.
- Biçiciyi gözetimsiz bıraktığınızda daima gücünü kapatın veya pil paketini çıkarın.
- Yağmur altında kullanmayın.
- Çocukları uzak tutun – Tüm ziyaretçiler çalışma alanından güvenli bir mesafede tutulmalıdır.
- Uygun bir şekilde giyinin – Bol giysiler giymeyin veya takı takmayın. Hareketli parçalara takılabilir. Açık havada çalışırken kauçuk eldiven ve sağlam ayakkabı giyilmesi önerilir. Uzun saçları toplamak için koruyucu baş örtüsü kullanın.
- Koruyucu gözlük kullanın – Çalışma ortamı tozluysa, mutlaka yüz veya toz maskesi takın.
- Doğru aleti kullanın - Aleti kullanım amacı dışında herhangi bir amaçla kullanmayın.

- Çim biçiciyi zorlamayın – Makine, tasarlanan çalışma hızında çalıştırıldığında en az yaralanma riski ile işini yapacaktır.
- Dengesiz bir duruşla çalışma yapmayın - Çalışma süresince ayaklarınızı sağlam basın ve dengeyi koruyun.
- Daima tetikte olun – Ne yaptığınızı dikkat edin. Sağduyulu olun. Çim biçme makinesini yorgunken kullanmayın.
- Alkol veya uyuşturucu etkisindeyken makineyi çalıştırmayın.
- Korumucu donanımın yerinde ve çalışır durumda olmasını sağlayın.
- Çim biçme makinesini kapalı bir yerde saklayın – Kullanılmadığında çim biçme makinesi, pil paketi çıkarılmış olarak - çocukların erişemeyeceği - kuru ve yüksek ya da kilitli olan kapalı alanda saklanmalıdır.
- Çim biçme makinesine dikkatle bakım yapın – En iyi performansı elde etmek ve yaralanma riskini azaltmak için kesim parçalarını temiz tutun. Aksesuar değişimi için verilen talimatlara uyun. Tutma saplarını kuru, temiz, benzin ve yağdan uzak tutun.
- Hasarlı parçaları kontrol edin – Çim biçme makinesini tekrar kullanmadan önce, hasarlı bir koruyucu donanım ya da diğer herhangi bir parça, uygun biçimde çalışıp çalışmayacağını ve amaçlanan işlevini yerine getirip getirmeyeceğini belirlemek için dikkatle kontrol edilmelidir. Hareketli parçaların hizasını, hareketli parçaların bağlantılarını, parçalarda kırık olup olmadığını, montajını ve çalışmasını etkileyebilecek diğer tüm koşulları kontrol edin. Hasarlı bir koruyucu donanım ya da diğer herhangi bir parça bu kullanım kılavuzunda başka türlü belirtilmemişse yetkili bir Servis Merkezi tarafından uygun şekilde tamir edilmeli veya değiştirilmelidir.
- Her kullanımdan önce kesilecek alanı temizleyin. Kesim parçalarına takılabilecek veya fırlatılabilecek taş, kırık cam, çivi, tel veya sicim vb. tüm nesnelere temizleyin. Diğer insanların ve evcil hayvanların en az 15m uzakta olduklarından emin olun.
- Makineyi kullanmadan önce ve herhangi bir darbe sonrasında, aşınma ya da hasar belirtisi olup olmadığını kontrol edin ve gerekirse onarın.
- Çim biçme makinesini çalıştırırken daima tutma saplarından her iki elinizle sıkıca tutun. Parmaklarınızı tutma saplarının etrafına sıkıca sarın.
- Yanlışlıkla çalıştırmaktan kaçının – Çim biçme makinesini parmağınız tetik üzerindeyken taşımayın.
- Çim biçme makinesini benzinli veya patlayıcı ortamlarda çalıştırmayın. Bu tür cihazların motoru kıvılcım çıkarabilir ve kıvılcımlar gazları tutuşturabilir.
- Çim biçme makinesinde hasar – Makineyi bir yabancı nesneye çarparsanız veya takılırsa, derhal aletleri durdurun, pil paketini makineden çıkarın, hasar olup olmadığını kontrol edin ve herhangi bir hasar varsa yeniden çalıştırmadan önce onarılmasını sağlayın. Arızalı bir koruyucu donanım veya makara ile çalıştırmayın.
- Cihaz anormal şekilde titremeye başlarsa, motoru durdurun ve pil paketini makineden çıkarın. Ve derhal nedenini kontrol edin. Titreşim genellikle bir sorun olduğunu gösterir. Gevşek bir başlık titreşim yapabilir, çatlatabilir, bozulabilir veya biçiciye temas ederek ciddi yaralanmalara neden olabilir. Kesim parçalarının düzgün bir şekilde takıldığından emin olun. Başlık yerine takıldıktan sonra gevşiyorsa, derhal değiştirin. Bir çim biçme makinesini asla gevşek bir kesim parçasıyla kullanmayın.
- Hasar yüzeyssel çatlaklarla sınırlı olsa dahi, çatlamaş, hasarlı veya aşınmış bir kesim başlığını derhal değiştirin. Bu tür parçalar yüksek hızda parçalanabilir ve ciddi veya ölümcül yaralanmalara neden olabilir.
- Çalışma sırasında, kesim parçalarını kısa aralıklarla düzenli olarak kontrol edin veya kesim işleminde gözle görülür bir değişim varsa derhal kontrol edin.
- Sadece bu aletler için tasarlanmış olan, onaylanmış EGO™ (Ø2,0 mm) polimer çim biçme misina aksesuarlarını ve çim biçme misinasını kullanın. Belirli bazı onaylanmış parçalar da EGO™ misinalı çim biçme makinesine takılabilmese rağmen, kullanılmaları çok tehlikeli olabilir ve/veya aletlere zarar verebilir.
- Ciddi yaralanma riskini azaltmak için, naylon kesim misinaları yerine asla tel veya metal takviyeli misina ya da diğer malzemeleri kullanmayın. Tel parçaları kopabilir ve operatöre ya da çevredeki insanlara fırlatılabilir.
- Kontrolün kaybedilmesi sonucu yaralanma riskini azaltmak için, asla merdiven üzerinde ya da diğer herhangi bir güvenli olmayan destek üzerinde çalışmayın. Asla kesim parçalarını bel yükseğinin üzerinde tutmayın.
- Bu kılavuzda yer almayan durumlar meydana gelirse, dikkatli ve sağduyulu davranın. Yardım için EGO Servis Merkeziyle irtibata geçin.
- Pil paketini yağmurlu veya ıslak ortamlarda şarj etmeyin.
- Sadece aşağıda listelenen pil paketi ve şarj cihazlarını kullanın.

PİL PAKETİ	ŞARJ CİHAZI
BA1120E, BA2240E, BA2800, BA3360, BA4200	CH5500E, CH2100E

- Pil paketi atılmadan önce cihazdan çıkarılmalıdır.

- Pili güvenli bir şekilde imha edilmelidir.
- Pili ateşe atarak imha etmeyin. Pili hücreleri patlayabilir. Muhtemel özel imha talimatları için yerel kanunları kontrol edin.
- Pili açmayın veya tahrip etmeyin. Açığı çıkan elektrolit aşındırıcıdır ve gözlerin veya cildin zarar görmesine neden olabilir. Yutulması halinde zehirlenme olabilir.
- Yüzük, bilezik ve anahtar gibi malzemelerle pile kısa devre yaptırmamak için, pilleri tutarken dikkatli olun. Pili veya iletken aşırı ısınabilir ve yanıklara neden olabilir.
- Bakım ve onarım sırasında birbirini aynı EGOTM yedek parçalarını kullanın. Diğer parça veya aksesuarların kullanılması yaralanma riskini artırır.
- Pille çalışan aletlerin elektrik prizine takılmalarını gerek yoktur; bu nedenle daima çalışır durumdadırlar. Alet kullanılmadığı zaman dahi oluşabilecek muhtemel tehlikelere karşı dikkatli olun. Bakım veya onarım işlemi yaparken dikkatli olun.
- Hortumla yıkamayın; motor ve elektrik bağlantılarına su kaçırılmaya dikkat edin.
- Φυλάξτε αυτές τις οδηγίες. Ανατρέχετε σε αυτές συχνά και χρησιμοποιείτε τις για να εκπαιδευτείτε άλλους που μπορεί να χρησιμοποιήσουν το εργαλείο. Εάν δανείσετε αυτό το εργαλείο σε κάποιον άλλο, δανείστε και αυτές τις οδηγίες, ώστε να εμποδίσετε εσφαλμένη χρήση του προϊόντος και πιθανό τραυματισμό.
- Makineyi çalıştırırken daima dayanıklı ayakkabı ve uzun pantolon giyin.
- Eğimli alanlarda bastığınız yerlerin sağlam olduğundan emin olun ve yürüyün, asla koşmayın.

ΦΥΛΑΞΤΕ ΑΥΤΕΣ ΤΙΣ ΟΔΗΓΙΕΣ!

ΠΡΟΔΙΑΓΡΑΦΕΣ

Voltaaj	56 V ---	
Υüksüz hız	7000 /dak.	
Kesim Mekanizması	Çarpma Başı	
Kesim Misinası Türü	AL0800 Ø2,0mm naylon yuvak misina	
Kesim Genişliği	30 cm	
Ağırlık (pil paketi hariç)	2,85 kg	
Ölçülen ses güç düzeyi L_{WA}	90,76 dB(A) K= 2,5 dB(A)	
Operatör konumundaki ses güç düzeyi L_{PA}	75,0 dB(A) K= 2,5 dB(A)	
Garanti edilen ses güç düzeyi L_{WA} (2000/14/EC uyarınca ölçülmüş)	91 dB(A)	
Titreşim a_h	Arka Tutma Sapı	3,279 m/s ² K=1,5 m/s ²
	Ön Tutma Sapı	4,915 m/s ² K=1,5 m/s ²

- Bildirilen toplam titreşim değeri standart test yöntemine uygun olarak ölçülmüştür ve bir cihazı diğer bir cihaz ile karşılaştırmak için kullanılabilir.
- Bildirilen toplam titreşim değeri ayrıca ön maruz kalma değerlendirmesinde de kullanılabilir.

UYARI: Elektrikli aletin gerçek kullanımı sırasında meydana gelen titreşim emisyonu aletin kullanım şekline bağlı olarak bildirilen değerden farklı olabilir; Operatörü korumak için, kullanıcı gerçek kullanım koşullarında eldiven ve kulak koruması takmalıdır.

AMBALAJ LİSTESİ

PARÇA ADI	MİKTAR
Misinalı Çim Biçme Makinesi	1
Koruma	1
Ön yardımcı kol montajı	1
Alyen anahtar	1
Kullanma kılavuzu	1

AÇIKLAMA

ÇİT BUDAMA MAKİNENİZİ TANIYIN (Şek. A)

1. Tetikleyici
2. Arka Tutma Sapı
3. Kilit kolunu
4. Yumuşak Manşon
5. Ayarlanabilir Ön Yardım Kolu
6. Mil
7. Çarpma Korumucu
8. Çarpma Düğmesi
9. Çarpma Başı (Kesim Başlığı)
10. Korumucu
11. Misina kesim Bıçağı
12. Çıkarma Mekanizması
13. Elektrik Kontakları
14. Mandal
15. PİL Çıkarma Düğmesi

MONTAJ

⚠ UYARI: Hasarlı veya eksik parça varsa, bu parçaları değiştirilinceye kadar ürünü çalıştırmayın. Bu ürünün hasarlı veya eksik parçaları ile kullanılması ciddi kişisel yaralanmalara yol açabilir.

⚠ UYARI: Bu ürün üzerinde değişiklik yapmaya veya bu misinalı çim biçme makinesi ile kullanılması önerilmeyen aksesuarlar oluşturmaya çalışmayın. Bu tür değişiklikler veya modifikasyonlar hatalı kullanımdır ve ciddi kişisel yaralanmalara neden olabildiği tehlikeli bir duruma sebep olabilir.

⚠ UYARI: Ciddi kişisel yaralanmalara neden olabilen yanlışlıkla çalışmayı önlemek için, parçaları monte ederken pil takımını mutlaka aletten çıkarın.

KORUYUCUNUN MONTE EDİLMESİ (Şek. B, C ve D)

⚠ UYARI: Korumucu monte edilirken veya değiştirilirken daima eldiven takın. Korumucu üzerindeki bıçağa ve elinizin kesilmesine dikkat edin.

UYARI: Aleti asla koruması düzgün şekilde takılı değilken kullanmayın. Korumucu, kullanıcıyı korumak için daima alete takılı durumda olmalıdır! Korumucu takılıyken, asla koruyucuyu çıkarmaya veya ayarlamaya çalışmayın, değiştirilmesi gerekirse, yetkili bir servis teknisyeni tarafından gerçekleştirilmelidir!

Çim biçme başlığı yukarı bakacak şekilde çevirin, iki vidayı gevşetin ve çıkarın. Ardından yönlendirme şeritleri ile muhafaza yuvalarını hizalayın, koruyucuyu bastırarak yerine oturtun ve iki vida ile sabitleyin. Korumucu iç yüzeyinin çim biçme başlığına doğru baktığından emin olun.

ÖN YARDIM KOLUNUN TAKILMASI VE AYARLANMASI

Ön yardım kolunu mil üzerine bastırın (Şek. F), ardından mengene bloğunu kol yuvasına yerleştirin (Şek. G), kilit pimini takın ve kelebek somun ile sabitleyin (Şek. H). İşlem sırası Şek. E'de gösterildiği gibidir. Son olarak, makineyi kullanırken ön kolunu düz olacak şekilde ön yardım kolunun konumunu ayarlayın (Şek. I) ve ardından kilit pimini ayar kolunu kilitleyin (Şek. J).

Şek. E ve I parça açıklaması aşağıdaki gibidir:

E-1	Ön Yardım Kolu	E-4	Kelebek Somun
E-2	Kilit Pimi	I-1	Yumuşak Manşon
E-3	Mengene Bloğu	I-2	Uyarı Etiketli

UYARI: Ön yardım kolu, kolun üst kısmına doğru bakacak şekilde yukarı doğru çevrilmelidir.

⚠ UYARI: Ön yardım kolunu sadece mil üzerindeki yumuşak manşonun önüne monte edin.

⚠ UYARI: Ön yardım kolu sağlam şekilde monte edilmeden aleti kullanmayın.

ÇALIŞTIRMA

⚠ UYARI: Ürüne aşına olmanız sizi dikkatsiz yapmasın. İkinci dereceden bir dikkatsizliğin ciddi yaralanmalara neden olmak için yeterli olduğunu unutmayın.

⚠ UYARI: Daima yan siperleri olan göz koruması kullanın. Kulak koruması ile birlikte kullanın. Böyle yapılmaması sonucu gözlerinize fırlayan nesnelere ciddi kişisel yaralanmalara neden olabilir.

⚠ UYARI: Bu ürünün üreticisi tarafından önerilmeyen ek parça veya aksesuarları kullanmayın. Önerilmeyen parça veya aksesuarların kullanılması ciddi kişisel yaralanmalara neden olabilir.

⚠ UYARI: Misinalı çim biçme makinenizi uygun kesim ipi takılı olarak, sadece çim ve benzer malzemelerin kesimi için kullanın.

⚠ UYARI: Ciddi kişisel yaralanmalara neden olabilen yanlışlıkla çalışmayı önlemek için, parçaları monte ederken, ayar yaparken, temizlikten önce ve ürün kullanımında değilken daima pil takımını aletten çıkarın.

Bu ürünü aşağıda listelenen amaçlar için kullanabilirsiniz:

Budama: duvar, çit, ağaç ve kenarlıklarda bulunan çim ve otların temizlenmesi için kullanılır.

Kesim: normal çim biçme makinesi ile ulaşılması zor olan çimlerin kesilmesi için kullanılır.

UYARI: Alet sadece belirtilen amaç için kullanılmalıdır. Diğer kullanım şekilleri, örneğin kenar budama, hatalı kullanım olarak kabul edilir.

PİL PAKETİNİN TAKILMASI/ÇIKARILMASI

İlk kullanımdan önce tamamen şarj edin.

Takmak için (Şek. K)

Pilin çıkıntıları ile montaj yuvalarını hizalayın ve „klik“ sesi duyuncaya kadar pil paketini aşağıya bastırın.

Çıkarmak için (Şek. L)

⚠ UYARI: PİL çıkarma düğmesine basarken daima ayaklarınızın durduğu yere, çocuklara veya evcil hayvanlara dikkat edin. PİL paketi düşerse ciddi yaralanmaya neden olabilir. ASLA pil paketini yüksek bir yerden çıkarmayın.

PİL çıkarma düğmesine basın ve pil paketini çekip çıkarın.

MİSİNALI ÇİM BİÇME MAKİNESİNİN TUTULMASI

⚠ UYARI: Bu cihazı kullanırken yaralanma riskini azaltmak için uygun şekilde giyinin. Bol giysiler giymeyin veya takı takmayın. Göz ve kulak/ışıtme koruması takın. Dayanıklı, uzun pantolon, eldiven ve bot giyin. Kısa pantolon, sandalet giymeyin veya çıplak ayakla çalışmayın.

Cihazı çalıştırmadan önce, bir eliniz arka tutma kolunda ve diğer eliniz düz bir şekilde ön yardım kolunda olmak üzere, biçme makinesini iki elinizle tutun (Şek. M). Ardından, dengeli bir duruş ile doğru kesim mesafesi sağlayın.

MİSİNALI ÇİM BİÇME MAKİNESİNİ BAŞLATMA/ DURDURMA (Şek. N)

Başlatmak için

Kilitleme düğmesini basılı tutun. Misinalı çim biçme makinesini açmak için tetiğe basın.

Durdurmak için

Kilit kolunu ve tetiği bırakın.

UYARI: Mola verdiğinizde ve işi bitirdikten sonra daima pil paketini makineden çıkarın.

MİSİNALI ÇİM BİÇME MAKİNESİNİN KULLANIMI

⚠ UYARI: Ciddi kişisel yaralanmayı önlemek için, bu cihazı kullanırken daima göz koruması veya koruyucu gözlük takın. Çalışma ortamı tozluysa, yüz veya toz maskesi takın.

Her kullanımdan önce kesilecek alanı temizleyin. Kesim parçalarına takılabilecek veya fırlatılabilecek taş, kırık cam, çivi, tel veya sicim vb. tüm nesnelere temizleyin. Çocukları, üçüncü şahısları ve evcil hayvanları çalışma alanından uzak tutun. Çocukları, üçüncü şahısları ve evcil hayvanları çalışma alanından en az 15 metre uzak tutun; üçüncü şahısların fırlayan nesnelere yaralanma riski bu mesafeye rağmen hala olabilir. Üçüncü şahısların göz koruması kullanmalarını önerilir. Çalışırken yanınıza yaklaşan kimselerin olması durumunda derhal motoru ve kesici parçaları durdurun.

Her kullanımdan önce hasarlı/aşınmış parça olup olmadığını kontrol edin.

Çarpma başlığını, koruyucuyu ve ön yardım kolunu kontrol edin ve çatlak, kıvrılmış, eğik veya hasarlı kesim parçalarını değiştirin.

Koruyucunun kenarındaki misina kesim bıçağı zamanla körelebilir. Bu bıçağı düzenli olarak bir eğe ile bilemeniz veya yeni bir bıçakla değiştirmeniz önerilir.

⚠ UYARI: Bıçakları bilerken veya değiştirirken daima eldiven takın. Koruyucu üzerindeki bıçağa ve elinizin kesilmemesine dikkat edin.

Her kullanımın ardından, çim biçme makinesini temizleyin.

- Aleti temizlemek için sadece nemli bir bez ve yumuşak bir temizleyici kullanın. Asla cihaza su girmesine izin vermeyin; aletin herhangi bir parçasını sıvıya daldırmayın.
- Motor gövdesindeki hava deliklerinin ve milin her zaman temiz kalmasını sağlayın (Şek. O).

Şek. O parça açıklaması aşağıdaki gibidir:

O-1	Mil hava delikleri
O-2	Motor gövdesi hava delikleri

⚠ DİKKAT: Hava deliklerindeki tıkanıklıklar motor gövdesindeki hava akımını engelleyerek aşırı ısınmaya ve motor hasarına neden olabilir.

⚠ UYARI: Çim biçme makinenizi temizlemek için asla su kullanmayın. Plastik parçaları temizlerken çözücü maddeler kullanmaktan kaçının. Çoğu plastik parça çeşitli tip ticari solventlerden zarar görebilir. Kir, toz, yağ, gres, vb. gidermek için temiz bez kullanın.

KESİM İPİ UZUNLUĞUNUN AYARLANMASI

Çarpma başlığı operatörün motoru durdurmaya gerek kalmadan kesim ipini salmasına olanak sağlar. İp aşınır veya yıpranırsa, çim biçme makinesi çalışır durumdakine çarpma düğmesini hafifçe yere vurarak biraz daha ip salınabilir (Bkz. Şek. P).

En iyi sonuçlar için, çarpma düğmesini çıplak zemine veya sert toprağa hafifçe vurun. İp uzun çim üzerinde salınırsa, motor aşırı ısınabilir. Kesim ipinin daima tam açılmış olmasını sağlayın. Kesim ipi kıaldıkça ipin salınması zorlaşır.

⚠ UYARI: Misina kesim bıçak donanımını çıkarmayın veya değiştirmeyin. Aşırı uzun kesim ipi motorun aşırı ısınmasına neden olabilir ve ciddi kişisel yaralanmaya yol açabilir.

ÇARPMA KORUMASI İLE ÇALIŞMA

Çarpma koruması kesim ipinin kesim aralığını sınırlandırabilir ve dönen kesim ipinin hasara neden olması riskini azaltabilir (Şek. Q)

Çarpma korumasını kullanmak için, aşağıya doğru çevirin (Şek. R).

⚠ UYARI: Misinalı çim biçme makinesini kapattıktan sonra çarpma başlığı kısa bir süre daha dönmeye devam eder. Çarpma korumasını ayarlamadan önce çarpma başlığının tamamen durmasını bekleyin. Ayağınızla ayarlamayın.

MİSİNANIN DEĞİŞTİRİLMESİ

UYARI: Daima çapı en fazla Ø 2,0mm olan standart naylon kesim ipi kullanın.

⚠ UYARI: Asla metal takviyeli misina, tel, ip, vb. malzeme kullanmayın. Bunlar parçaları tehlikeli biçimde fırlatılabilir.

Kesim ipini değiştirmek için iki yöntem kullanılır:

1. Makaraya yeni ip sarılması.
2. Hazır sarılı bir makaranın takılması (gerekirse, bayinizden isteyin: AS1301).

Makaraya yeni ip sarılması

Makara üzerindeki iki adet açma tırnağına bastırın ve makara tespit pimini çekin (Şek. S). Yeni kesim ipini yaklaşık 7 m kadar açın. Şek T ve U'da gösterildiği gibi ipi katlayarak makaraya sarın. Ardından ipin uçlarını makara üzerindeki iki karşılıklı çentige yerleştirin (Şek. V) ve çentikler ile tespit piminin deliklerini hizalayarak makarayı tespit pimine yerleştirin (Şek. W). Son olarak, tespit pimi yuvaları ile makara tabanındaki tırnakları hizalayın ve tespit pimini düz bir şekilde aşağıya doğru bastırarak yerine oturmasını sağlayın (Şek. X).

UYARI: Çim biçme başlığını monte etmeden önce, mutlaka makara tespit pimini, makarayı ve makara tabanını temizleyin. Makara tespit pimini, makarayı ve makara tabanını aşınmaya karşı kontrol edin. Gerekirse aşınmış parçaları değiştirin.

UYARI: İpin belirtilen yönde sarılmaması, çim biçme başlığının doğru çalışmamasına neden olur.

Hazır sarılı bir makaranın takılması

Makara üzerindeki iki adet açma tırnağına bastırın ve makara tespit pimini çekin (Şek. S). Ardından, çentikler ile tespit pimi delikleri hizalanmış olarak hazır sarılı bir makarayı tespit pimine yerleştirin (Şek. W). Son olarak, tespit pimi yuvaları ile makara tabanındaki tırnakları hizalayın ve tespit pimini düz bir şekilde aşağıya doğru bastırarak yerine oturmasını sağlayın (Şek. X).

Şek. W ve X parça açıklaması aşağıdaki gibidir:

W-1	Çentik	X-1	Tırnak
W-2	Delik	X-2	Yuva

UYARI: Makara tabanındaki tırnakların yerine oturduğundan emin olun, aksi takdirde makara çalışma sırasında yerinden çıkabilir.

BAKIM

⚠ UYARI: Bakım ve onarım sırasında birbirini aynı yedek parçaları kullanın. Diğer parçaların kullanılmasında tehlike oluşturabilir veya ürünün hasar görmesine neden olabilir. Güvenliği ve güvenilirliği sağlamak için, tüm onarım işlemleri yetkili bir servis teknisyeni tarafından gerçekleştirilmelidir.

⚠ UYARI: Pille çalışan aletlerin elektrik prizine takılmalarına gerek yoktur; bu nedenle daima çalışır durumdadırlar. Ciddi kişisel yaralanmayı önlemek için, kesim parçaları veya diğer parçalara bakım veya onarım yaparken veya değişim sırasında ekstra önlemler alın ve dikkatli olun.

⚠ UYARI: Ciddi kişisel yaralanmaları önlemek için, eklenti parçalara bakım veya onarım, temizlik, değişim yapmadan veya makineden malzeme çıkarmadan önce pil takımını çıkarın.

CİHAZIN TEMİZLENMESİ

- Cihazı nemli bir bez ve yumuşak bir deterjanla temizleyin.
- Plastik gövde veya tutma kolu üzerinde güçlü deterjanlar kullanmayın. Çam ve limon gibi belirli aromatik yağlar ve kerosen gibi çözücü maddeler bu yüzeylere zarar verebilir. Nem nedeniyle elektrik çarpmaya tehlikesi oluşabilir. Yumuşak kuru bir bezle rutubeti silin.
- Arka gövdedeki hava deliklerinde bulunan tıkanıklığı temizlemek için küçük bir fırça veya elektrikli süpürgeci hava çıkışını kullanın.

CİHAZIN SAKLANMASI

- Kullanılmadığı zamanlarda, pil paketini misinalı çim biçme makinesinden çıkarın.
- Cihazı saklamadan önce tamamen temizleyin.
- Cihazı çocukların ulaşamayacağı kuru, iyi havalandırılmış, kilitli ve yüksek bir yerde muhafaza edin. Gübre, benzin veya diğer kimyasal maddelerin yanında saklamayın.

Çevre koruması



Elektrikli cihazları, pil şarj cihazını ve pilleri/şarj edilebilir pilleri evsel atıklarla birlikte atmayın!

AB Yasası 2012/19/EU uyarınca, kullanılamaz durumdaki elektrikli ve elektronik cihazlar ve AB Yasası 2006/66/EC uyarınca, arızalı veya kullanılmış pil paketleri/piller ayrı olarak toplanmalıdır.

Elektrikli cihazlar katı atık sahaları veya çöp toplama alanlarına atılırsa, yer altı sularına ve besin zincirine tehlikeli maddeler sızabilir, bu da sağlığınızın bozulmasına yol açabilir.

AB UYGUNLUK BEYANI

EGO EUROPE GMBH

Wahlwiesenstrasse 1, D-71711 Steinheim an der Murr
Deutschland

ST1210E model 56 VOLT LITYUM-İYON KABLOSUZ MISINALI ÇİM BİÇME MAKİNESİ ürününün, aşağıdaki Direktiflerin temel sağlık ve güvenlik gereksinimlerine uygun olduğunu beyan ederiz:

2006/42/EC, 2014/30/EU, 2011/65/EU, 2000/14/EC

Aşağıdakilerle ilişkili standartlara ve teknik özelliklere uygun olduğunu beyan ederiz:

EN 60335-1, EN 50636-2-91, EN 55014-1, EN 55014-2


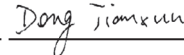
Ölçülen Ses Güç Düzeyi: 90,76 dB(A).

Garanti Edilen Ses Güç Düzeyi: 91 dB(A).

2000/14/AT'ye göre Ek VI uygunluk değerlendirme prosedürü izlenmiştir.

Onaylanmış kuruluş: Soci t  Nationale de Certification et d'Homologation

Onaylanmış kuruluş numarası: 0499

Peter Melrose
EGO Europe GmbH
Yönetici Müdürü

Dong Jianxun
Chervon Kalite
Müdürü

* (CHERVON yetkili temsilcisi ve teknik belgeleme sorumlusu)

01/09/2016

SORUN GİDERME

SORUN	NEDENİ	ÇÖZÜM
Misinalı çim biçme makinesi başlatılmıyor.	<ul style="list-style-type: none">■ Pil paketi, çim biçme makinesine takılı değil.■ Çim biçme makinesi ile pil arasında elektrik teması yok.■ Pil paketi boş.■ Kilitleme kolu ve tetiğe aynı anda basılmıyor.	<ul style="list-style-type: none">■ Pil paketini çim biçme makinesine takın.■ Pili çıkarın, temas noktalarını kontrol edin ve pil paketini yeniden takın.■ Pil paketini şarj edin.■ Kilitleme kolunu basılı tutun, ardından tetik düğmesine basarak makineyi çalıştırın.
Misinalı çim biçme makinesi kesim yaparken duruyor.	<ul style="list-style-type: none">■ Çim biçme makinesine koruyucu takılmamış, sonuç olarak aşırı uzun kesim ipi ve motorun aşırı ısınması söz konusu.■ Ağır kesim ipi kullanılıyor.■ Motor mili veya çim biçme başlığı çimler nedeniyle tutukluk yapıyor.■ Motor aşırı yüklenmiş.■ Pil paketi veya misinalı çim biçme makinesi çok sıcak.■ Pil paketi ile aletin bağlantısı kesilmiş.■ Pil paketi boş.	<ul style="list-style-type: none">■ Pil paketini çıkarın ve koruyucuyu çim biçme makinesine monte edin.■ Daima çapı en fazla 2,0mm olan naylon kesim ipi kullanın.■ Çim biçme makinesini durdurun, pili çıkarın ve motor mili ve çim biçme başlığındaki çimleri temizleyin.■ Çim biçme başlığını çimlerden kaldırın. İş yükü kalkar kalkmaz motor eskisi gibi çalışacaktır. Kesim yaparken, çim biçme başlığını kesilecek çimlerde ileri-geri hareket ettirin ve tek bir kesimde en fazla 20 cm uzunlukta kesim yapın.■ Pil paketi veya çim biçme makinesinin 67°C'nin altına düşene kadar soğumasını bekleyin.■ Pil paketini yeniden takın.■ Pil paketini şarj edin.

SORUN	NEDENİ	ÇÖZÜM
Çim biçme başlığı misinayı ilerletmiyor.	<ul style="list-style-type: none"> ■ Motor mili veya çim biçme başlığı çimler nedeniyle tutukluk yapıyor. ■ Makarada yeterli ip yok. ■ Çim biçme başlığı kirlidir. ■ Misina makaraya dolaşmış. ■ Misina çok kısa. 	<ul style="list-style-type: none"> ■ Çim biçme makinesini durdurun, pili çıkarın ve motor mili ve çim biçme başlığındaki çimleri temizleyin. ■ Pili çıkarın ve bu kılavuzdaki "MİSİNANIN DEĞİŞTİRİLMESİ" bölümünü izleyerek kesim ipini değiştirin. ■ Pili çıkarın ve makarayı, makara tespit pimini ve makara tabanını temizleyin. ■ Pili çıkarın ve bu kılavuzdaki "MİSİNANIN DEĞİŞTİRİLMESİ" bölümünü izleyerek kesim ipini makaradan çıkarın ve yeniden sarın. ■ Pili çıkarın ve çarpma düğmesine basıp bırakarak ipi çekin.
Çimler, çim biçme başlığının etrafına ve motor gövdesine doluyor.	<ul style="list-style-type: none"> ■ Uzun çimler zemin seviyesinde kesiliyor. 	<ul style="list-style-type: none"> ■ Uzun çimleri üstten alta doğru kesin, dolanmayı önlemek için her geçişte en fazla 20 cm kesin.
Misina düzgün kesmiyor.	<ul style="list-style-type: none"> ■ Koruyucunun kenarındaki misina kesim bıçağı körelmiş. 	<ul style="list-style-type: none"> ■ Misina kesim bıçağını bir eğe ile bileyin veya yeni bir bıçakla değiştirin.

GARANTİ

EGO GARANTİ POLİTİKASI

EGO Garanti politikasına ilişkin tüm hüküm ve koşullar için, lütfen egopowerplus.com adresindeki web sitemizi ziyaret edin.

LUGEGE KÕIKI JUHISEID!



LUGEGE JUHEND LÄBI JA PÜÜDKE SELLEST ARU SAADA

⚠ Kaasnev risk! Inimesed, kes kasutavad elektroonilisi seadmeid, nt südamestimulaatorit, peaksid enne selle toote kasutamist konsulteerima oma arstiga. Elektriseadmete kasutamine südamestimulaatori läheduses võib põhjustada südamestimulaatori häireid või rikkeid.

⚠ HOIATUS: Ohutuse ja töökindluse tagamiseks tohivad seda seadet remontida ainult vastava kvalifikatsiooniga hooldustehnikud.

OHUTUSSÜMBOLID

Ohutussümbolite eesmärk on tõmmata teie tähelepanu võimalikele ohtudele. Ohutussümbolitele ja nende juures olevatele seletustele tuleb korralikult tähelepanu pöörata ja need endale selgeks teha. Ohutussümbolid isenesest ei kõrvalda ohtu olemasolu. Nendega kaasnevad juhendid ja hoiatused ei asenda korralikke õnnetuste vältimise meetmeid.

⚠ HOIATUS: Enne käesoleva seadme kasutamist lugege kindlasti läbi ja tehke endale selgeks kõik Kasutusjuhendis toodud ohutusjuhised, sh kõik ohutussümbolid nagu „OHT,” „HOIATUS,” ja „ETTEVAATUST”. Kui te ei järgi kõiki allpool toodud juhiseid, võib tekkida elektrilöögi, tulekahju ja/või raske kehavigastuse oht.

SÜMBOLITE TÄHENDUSED

TURVATEATE SÜMBOL Tähistusega OHT, HOIATUS, või ETTEVAATUST. Võidakse kasutada koos teiste sümbolite või piktograafidega.



⚠ HOIATUS: Mis tahes elektriliste tööriistade kasutamine võib põhjustada võrkehade paiskumist silma, mis võib põhjustada tõsiseid silmakahjustusi. Kandke elektriliste tööriistade kasutamise ajal alati külgkaitsetega kaitseprille ja vajadusel täielikku näokaitset. Soovitame kanda prillide peal laia vaatealaga kaitsemaski või tavalisi külgkaitsetega kaitseprille.

OHUTUSJUHISED

Sel lehel on kujutatud ja kirjeldatud ohutusesümboliteid, mida võib käesolevalt tootelt leida. Enne, kui üritate masinat kokku panna ja kasutada, lugege, tehke omale selgeks ja järgige kõiki juhiseid.

	Ohutusteade	Teie turvalisusega seotud ettevaatusabinõud
	Lugege kasutusjuhendit	Et vähendada vigastuste ohtu, peab kasutaja enne toote kasutamist lugema kasutusjuhendit ja selle endale selgeks tegema.
	Kandke kaitseprille	Kandke selle toote kasutamise ajal alati kaitseprille või külgkaitsetega kaitseprille ja täielikku näokaitset.
	Kasutage kõrvade kaitsevahendeid	Kasutage seadmega töötades alati kuulmiskaitset
	Jõhvi diameeter	Nailonist lõikejõhvi diameeter
	Lõikelaius	Trimmeri maksimaalne lõikeulatus
	Vältige seadme kokkupuudet vihmaga	Ärge kasutage seadet vihmajärgel ja ärge jätke seadet vihma kätte.
	II klassi konstruktsioon	Topeltisolatsiooniga konstruktsioon.
	Ärge laske kellelgi töö ajal enda lähedal seista	Trimmeriga töötamise ajal ei tohi 15m raadiuses olla loomi ega teisi inimesi,
	Ärge laske kellelgi töö ajal enda lähedal seista	Trimmeriga töötamise ajal ei tohi 15m raadiuses olla loomi ega teisi inimesi,
V	volti	Pinge
A	amprit	Voolutugevus
Hz	hertsi	Sagedus (tsükli sekundis)
W	vatti	Võimsus

min	minutit	Aeg
~	vahelduvvool	Voolu tüüp
⏏	alalisvool	Voolu tüüp või omadus
n_0	Tühikäigu kiirus	Tühikäigu pöörlemiskiirus
... /min	Minutis	Pööret minutis

OLULISED OHUTUSJUHISED

⚠ HOIATUS: Juhtmeta trimmerite kasutamisel tuleb alati järgida järgevaid elementaarseid ohutusnõudeid. Sedasi väldite tulekahju, elektrilöögi ja vigastuste ohtu.

ENNE KASUTAMIST LUGEGE TÄHELEPANELIKULT.

HOIDKE ALLES.

⚠ OHT: Ärge eeldage, et tööriista isolatsioonikiht tagab täieliku kaitse elektrilöögi eest. Elektrilöögi ohu vähendamiseks ärge kasutage seadet niisuguste juhtmete ega (voolu- jm.) kaablite läheduses, mis võivad olla voolu all.

⚠ ETTEVAATUST: Töö ajal kasutage sobivat kuulumiskaitset.

KOOLITUS

- Lugege juhend hoolikalt läbi. Tutvuge juhtseadmetega ja seadme korrektse kasutamise põhimõtetega.
- Ärge lubage seadet kasutada lastel ega inimestel, kes pole tutvunud käesoleva juhendiga. Kohalikud seadused võivad seada seadme kasutajatele vanusepiiranguid.
- Pidage meeles, et seadme kasutaja vastutab teiste inimeste või nende varaga juhtuvate õnnetuste eest.

ETTEVALMISTUS

- Ärge kasutage seadet teiste inimeste (eriti laste) või loomade läheduses.
- Töö ajal kasutage alati silmade kaitsevahendeid ja tugevaid kingi.

KASUTAMINE

- Kasutage seadet ainult päevasel ajal või hea kunstliku valgustusega.
- Ärge kasutage seadet, mille kaitsepiirded või -katted on kahjustatud või puuduvad.
- Mootori sisselülitamisel hoidke käed ja jalad lõikedetailidest eemal.

- Eemaldage seade alati vooluvõrgust (s.t võtke pistik pistikupesast välja või eemaldage blokeeriv seade),
 - kui jätate selle järelevalveta.
 - Enne ummistuse eemaldamist;
 - Enne seadme puhastamist, kontrollimist või seadistamist;
 - Pärast võõrkehaga pörkumist.
 - Kui seade hakkab ebanormaalselt vibreerima.
- Jälgige, et lõikeseadmed ei vigastaks teie käsi või jalgu.
- Jälgige, et ventilatsioonivavad oleksid kogu aeg puhtad.

HOOLDUS JA HOIUSTAMINE

- Enne hooldus- või puhastustoimingute alustamist eemaldage seade vooluvõrgust (s.t võtke pistik pistikupesast välja või eemaldage blokeeriv seade),
- Kasutage ainult tootja soovitatud tarvikuid ja -varuosi.
- Kontrollige ja hooldage seadet regulaarselt. Laske seadet remontida ainult volitatud remonditöökojas.
- Kui seadet ei kasutata, hoidke seda lastele kättesaamatus kohas.

MUUD TURVAHOIATUSED

- Vältige ohtlikke keskkondi – ärge kasutage trimmereid märgades või niisketes kohtades..
- Kui lahkute trimmeri juurest ,lülitage see alati välja või eemaldage akuplokk.
- Ärge kasutage seadet vihma ajal.
- Hoidke lapsed sellest seadmest eemal – Kõrvalseisjad peavad olema tööpiirkonnast ohutul kaugusel.
- Riitete asjakohaselt – ärge kandke ehteid ega avaraid riideid. Need võivad liukvate osade vahele kinni jääda. Vältitingimustes töötades on soovivat kasutada kummikindaid ja tugevaid jalanõusid. Pikkade juuste puhul kasutage peakatet, mille sisse mahuvad ka juuksed.
- Kasutage kaitseprille - tolmuses keskkonnas kandke alati näo- või tolmumaski.
- Kasutage sobivat seadet - tööriista tohib kasutada vaid niisuguste tööde jaoks, milleks see on ette nähtud.
- Ärge rakendage trimmeriga töötades ülemäärast jõudu. Seade töötab paremini ja turvaliselt, kui seda kasutatakse ettenähtud kiirusel.
- Ärge küünitage liigselt – töötage ainult kindlal maapinnal ja kohtades, kus pole ohtu tasakaalu kaotada.
- Olge tähelepanelik ja keskendunud Rakendage tervet mõistust. Ärge kasutage trimmerit väsinuna.
- Ärge töötage trimmeriga, kui olete kasutanud alkoholi või narkootikume.

- Hoidke piirded omal kohal ja töökorras.
- Hoidke trimmereid sisetingimustes – Kui trimmerit ei kasutata, tuleks seda hoida kuivas ja kõrges lukustatud ning lastele ligipääsmatus kohas ilma akuplokita.
- Hooldage trimmerit hoolikalt – Parimate töötulemuste saavutamiseks ja vigastuste ohu vähendamiseks hoidke lõiketera puhtana. Järgige komponentide vahetamise juhiseid. Hoidke käepidemed kuivana, puhtana ja vältige õli ja rasva sattumist seadmele.
- Kontrollige kahjustatud osi enne kui seadme kasutamist jätkate. Kahjustatud piiret või muud detaili tuleb hoolikalt kontrollida, et veenduda, et detail toimib korrektselt ja täidab oma funktsiooni. Kontrollige, kas liikuvad komponendid on korrektselt joondatud ja ega ükski osa paindunud pole ning jälgige ka muid aspekte, mis võiksid seadme omadusi mõjutada. Kahjustatud kate või muu kahjustatud detail tuleks korrektselt parandada või asendada ametlikus hoolduskeskuses, välja arvatud juhul, kui selles juhendis pole öeldud teisiti.
- Enne töö alustamist puhastage tööpiirkond vöörkehast. Eemaldage tööpinnaalt kõik, kivid, klaasikillud, naelad, juhtmed ja nõõrid, mis võivad seadme külge või sisse kinni jääda. Veenduge, et 15 meetri raadiuses pole teisi inimesi ega loomi.
- Alati enne seadme kasutamist ja pärast kokkupuudet takistusega kontrollige seadme kulumust ja vajadusel remontige seda.
- Töö ajal hoidke alati kahe käega tugevalt trimmeri käepidemetest kinni. Pange sõrmed ümber käepideme.
- Vältige seadme juhuslikku käivitamist - ärge kandke trimmerit sõrme päästikul hoides.
- Ärge kasutage trimmerit keskkondades, kus leidub bensiiniaure või mis on muul põhjusel plahvatusohtlikud. Seda tüüpi seadmete mootorid tekitavad sademeid, mis võivad aurd süüdata.
- Ärge puudutage ohtlikke liikuvaid seadmeosi enne, kui seade on välja lülitatud (või akupakk seadme küljest eemaldatud) ja liikuvad seadmeosad on täielikult seiskunud.
- Trimmeri kahjustamine - kui tabate trimmeriga vöörkeha või vöörkeha jääb trimmeri külge kinni, seisake tööriist koheselt, eemaldage akuplokk, kontrollige võimalikke kahjustusi ja vajadusel laske seade enne töö jätkamist remontida. Ärge kasutage seadet, mille kaitsepiire või pool on katki.
- Kui seade peaks ebanormaalselt vibreerima hakkama, peatage mootor, eemaldage akuplokk ja otsige koheselt vibreerimise põhjust. Vibratsioon hoiatab tavaliselt ohu eest. Lahtine lõikepea võib vibreerida, möraneda, murduda või trimmeri küljest ära tulla.

Selle tulemuseks võivad olla rasked või surmavad kehavigastused. Veenduge, et lõikeseadme asend on korrektselt fikseeritud. Kui lõikepea tuleb pärast kohale fikseerimist lahti, vahetage see kohe välja. Ärge kunagi kasutage lahtise lõikeseadmega trimmerit.

- Möranened, kahjustunud või kulunud lõikepea tuleb koheselt välja vahetada isegi kui kahjustus on vaevumärgatav mõra. Niisugused lisaseadmed võivad suurel kiirusel puruneda ja põhjustada raskeid või surmavaid vigastusi.
- Kontrollige lõikeseadme seisukorda regulaarselt ja sagedasti või koheselt kui ilmneb märgatav muutus lõikeseadmete töös.
- Kasutage ainult originaalset EGO™ polümeerist trimmeri (Ø2,0 mm) jõhvi tarvikuid ja jõhvi, mis on mõeldud selle trimmeri jaoks. Kuigi mõnede mittelubatud tarvikute ühendamise EGO™ jõhvtrimmeri külge võib võimalik olla, on nende kasutamine väga ohtlik ja/või võib kahjustada tööriistu.
- Rasketes vigastuste ohu vältimiseks ärge kunagi kasutage nailonist jõhvi asemel traadipõhist või metalltugevdusega jõhvi. Traaditükid võivad murduda ja suurel kiirusel seadme kasutaja või kõrvalseisjate suunas paiskuda.
- Selleks, et vähendada võimalikke seadme üle kontrolli kaotamises tulenevaid ohte, ärge kunagi kasutage seda seadet, kui seisate redelli või muul ebakindlal pinnal. Ärge kunagi hoidke lõiketera vöökohast kõrgemal.
- Kui esineb olukordi, mis pole käesolevas juhendis kirjeldatud käituge hoolsalt ja lähtuge tervest mõistusest. Küsige abi EGO hoolduskeskusest.
- Ärge laadige akuplokki niisketes ega märgades tingimustes.
- Kasutage ainult järgnevalt nimetatud akuplokke ja laadijaid:

AKU	LAADIJA
BA1120E, BA2240E, BA2800, BA3360, BA4200	CH5500E, CH2100E

- Akuplokk tuleb seadmelt enne selle tööea lõppu eemaldada.
- Aku käitlemisel tuleb järgida ohutusreeglid.
- Ärge hävitage akusid põletamise teel. Need võivad plahvatada. Tutvuge kohalike eeskirjadega, et leida võimalikke erijuhiseid akude ja patareide kõrvaldamiseks.
- Ärge avage ega lõhkuge akut. Väljuv elektrolüüt on korrodeeriv ning võib silmi ja nahka vigastada. Allaneelamisel võib see mürgine olla.

- Akude käsitsemisel olge hoolikas ja jälgige, et te ei lühista akut elektrit juhtivate esemete (nt sörmuste, käevõrude, võtmete) abil. Aku või elektrit juhtiv ese võib üle kuumeneda ja põhjustada põletushaavu.
- Remondiks võib kasutada ainult identseid EGO™ originaalvaruosid. Ükskõik missuguse muu tarviku või lisakomponendi kasutamine suurendab vigastuste tekkimise ohtu.
- Akuga töötavaid tööriistu pole vaja vooluvõrku ühendada, seega on nad alati töörežiimis. Olge teadlik võimalikest ohtudest ka ajal, mil tööriist pole sisse lülitatud. Seadme hooldamise või remontimise ajal olge ettevaatlik.
- Ärge puhastage trimmerit voolikuga, vältige vee sattumist mootoris ja elektriuhenduste peale.
- Hoidke see kasutusjuhend alles. Lugege seda sageli ning kasutage seda, et seadet sageli kasutavaid isikuid välja õpetada. Kui te seadet kellelegi laenate, andke sellega kaasa ka käesolev kasutusjuhend, et vältida seadme väärkasutamist ja võimalikke vigastusi.
- Selle seadme kasutamise ajal kandke alati tugevaid jalatseid ja pikki pükse.
- Jälgige jalgealust kallakutel ja liikuge kõndides mitte joostes.

HOIDKE SEE KASUTUSJUHEND ALLES!

SPETSIFIKATSIOONID

Pinge	56 V $\overline{\text{---}}$	
Tühikäigu kiirus	7000 /min	
Lõikemehhanism	Muhuga pea	
Lõikejõhvi tüüp	AL0800 Ø2,0 mm nailonjõhvi kera	
Lõikelaius	30 cm	
Mass (ilma akuplokita)	2,85 kg	
Möödetud helirõhu tase L_{WA}	90,76 dB(A) $K=2,5$ dB(A)	
Maksimaalne helirõhk seadme operaatori kõrva juures L_{PA}	75,0 dB(A) $K=2,5$ dB(A)	
Garanteeritud helirõhk L_{WA} (vastavalt 2000/14/EN)	91 dB(A)	
Vibratsioon a_n	Eesmine abikäepide	3,279 m/s^2 $K=1,5$ m/s^2
	Tagumine käepide	4,915 m/s^2 $K=1,5$ m/s^2

- Ametlik vibratsioonitaseme näit on möödetud standardsete testmeetodite kohaselt ja seda võidakse kasutada erinevate tööriistade võrdlemiseks.
- Ametlikku vibratsioonitaseme näitu võib kasutada ka alge kokkupuutehinnangu andmiseks.

MÄRKUS: Tegelikul kasutamisel tekivad vibratsioonitase või ametlikult märgitud erinevad; turvalisuse eesmärgil peaks seadme kasutaja kandma kindaid ja kuulmiskaitsemeid.

PAKENDI LOEND

OSA NIMI	KOGUS
Jõhvtrimmer	1
Piire	1
Eesmine abikäepide	1
Kuuskantvõti	1
Kasutusjuhend	1

KIRJELDUS

TUNNE OMA JÕHVTRIMMERIT (joon. A)

1. Päästik
2. Tagumine käepide
3. Lukustushoob
4. Pehme muhv
5. Kohandatav eesmine abikäepide
6. Võll
7. Kaitsemuhk
8. Muhu nupp
9. Muhuga pea (lõikepea)
10. Piire
11. Lõiketera
12. Väljutusmehhanism
13. Elektrikontaktid
14. Riiv
15. Akuvabastusnupp

SEADE

⚠ HOIATUS: Kui mõni osa on kahjustatud või puudub, ärge kasutage seadet enne kui see osa on parandatud. Kasutades kahjustatud või vajalike komponentideta seadet, võite saada raskeid vigastusi.

⚠ HOIATUS: Ärge üritage seadet ümber ehitada ega kasutada lisaseadmeid, mis pole mõeldud kasutamiseks selle trimmeriga. Kõik niisugused muudatused loetakse väärkasutuseks ja need võivad põhjustada ohtlikke olukordi, mis lõppevad raskete vigastustega.

⚠ HOIATUS: Raskeid vigastusi põhjustada võiva juhusliku käivitumise vältimiseks eemaldage seadmeosade kokkupaneku ajaks alati akuplokk.

PIIRDE PAIGALDAMINE (joon.B, C ja D)

⚠ HOIATUS: Piirde paigaldamise või vahetamise ajal kasutage alati kindaid. Jälgige tera liikumist ja olge ettevaatlik, et te ei vigastaks oma käsi.

⚠ HOIATUS: Ärge kasutage tööriista, mille turvapiiire pole korrektselt paigaldatud. Kasutaja turvalisuse huvides peab piire kogu aeg kinnitatud olema. Piirde paigaldamise järgselt ärge kunagi üritage piiret eemaldada ega kohandada. Asendamise vajaduse korral peab seda tegema kvalifitseeritud tehnik!

Pöörake trimmer tagurpidi ning keerake lahti ja eemaldage selle kaks kinnituskruvi. Seejärel seadke piirdel olevad ribad kohakuti korpuses olevate soontega, lükake piire õigesse asendisse ja fikseerige asend kahe kruviga. Jälgige, et piirde sisemine külj jääks trimmeri pea poole.

EESMISE ABIKÄEPIDEME PAIGALDAMINE JA KOHANDAMINE

Lükake eesmine abikäepide völli peale (joon. F) ja paigaldage käepideme pesasse kinnitusplokk (joon. G). Paigaldage kinnitusdetail ning fikseerige kõik komponendid liblikmutriga (joon.H). Toimingute õige järjestus on kujutatud joonisel E. Viimasena kohandage eesmise abikäepideme asendit nii, et teie eesmine käsi oleks trimmeri kasutamise (joon. I) ajal sirge ja sobiva asendi leidmisel lukustage seade lukustusdetaili hoova abil (joon. J)

Jooniste E ja I osade kirjeldus, vt allpool:

E-1	Eesmine abikäepide	E-4	Tiibmutter
E-2	Lukustusdetail	I-1	Pehme muhv
E-3	Kinnitusplokk	I-2	Hoiatusiit

MÄRKUS: Eesmine abikäepide tuleks pöörata ülespoole nii et see oleks suunatud käepideme tipu poole.

⚠ HOIATUS: Eesmist abikäepidet tohib paigaldada ainult völli peal oleva pehme muhvi ette.

⚠ HOIATUS: Sedaööriista ei tohi kasutada, kui eesmine abikäepide pole kindlalt kinnitatud.

KASUTAMINE

⚠ HOIATUS: Ärge muutuge toodet tundma õppides hooletuks. Pidage meeles, et raskeid vigastusi põhjustavaks õnnetuseks piisab ka sekundi murdosa pikkusest tähelepanematusesest.

⚠ HOIATUS: Kandke alati küljekaitsega turvapriile. Koos kuulmiskaitsega. Vastasel korral võib teile midagi silma lennata ja võite saada ka muud laadi raskeid vigastusi.

⚠ HOIATUS: Ärge kasutage lisaseadmeid või -tarvikuid, mida selle seadme valmistaja pole soovitanud. Mittesoovitulike lisaseadmete või -tarvikute kasutamine võib põhjustada raskeid kehavigastusi.

⚠ HOIATUS: Kasutage sobiva jõhviga varustatud jõhvtrimmerit ainult muru ja muruga sarnase taimestiku lõikamiseks.

⚠ HOIATUS: Tahtmatu käivitumise vältimiseks eemaldage seadme kokkupanemise, kohandamise, puhastamise või mitte kasutamise ajaks alati aku.

Seadet tohib kasutada allpool loetletud eesmärkidel:

Trimmimine: seinte, aedade, puude ja piirete ääres kasvava muru eemaldamiseks.

Lõikamine: sellise muru lõikamiseks, millele on tavalisel niiduki abil keeruline ligi pääseda.

MÄRKUS: Seadet tohib kasutada vaid käesolevas juhendis lubatud eesmärgil. Igasugust muud kasutust (nt äärte trimmerdamist) loetakse väärkasutuseks.

AKUPLOKI PAIGALDAMINE/EEMALDAMINE

Laadige enne esimest kasutamist täielikult.

Kinnitamine (joon. K)

Joondage aku ribad paigaldussoontega ja suruge akuplokki alla kuni kuulete klõpsatust.

Lahti ühendamine (joon. L)

⚠ HOIATUS: Kui vajutate trimmeri akuvabastusnuppu, jälgige oma jalgu ning läheduses viibivaid lapsi ja loomi. Akuploki kukkumine võib põhjustada raskeid vigastusi. Akuplokki ei tohi eemaldada kõrges kohas töötades.

Vajutage akuvabastusnuppu ja tõmmake akuplokk välja.

JÕHVTRIMMERI HOIDMINE

⚠ HOIATUS: Kandke sobivat riietust, et vältida trimmeri kasutamise käigus vigastuste teket. Ärge kandke ehteid ega avaraid riideid. Kandke nägemis- ja kuulmiskaitsevahendeid. Kandke tugevast materjalist pikki pükse, saapaid ja kindaid. Ärge kandke trimmeriga töötades lühikesi pükse ega sandaale ja ärge töötage paljajalu.

Enne töö alustamist hoidke trimmerit kahe käega - ühe käega tagumist käepidet ja teisega eesmist abikäepidet, mis jääb sirgesse asendisse (joon. M). Seejärel veenduge, et teie jalgealune on kindel ja löikekaugus sobiv.

JÕHVTRIMMERI KÄIVITAMINE/PEATAMINE (joon. N)

Käivitamine

Vajutage lukustushooba ja hoidke seda all. Trimmeri käivitamiseks vajutage päästikule.

Peatamine:

Laske lukustushoob ja päästik lahti.

⚠ HOIATUS: Tööpauside ajal ja pärast töö lõpetamist eemaldage alati akuplokk trimmeri küljest.

JÕHVTRIMMERI KASUTAMINE

⚠ HOIATUS: Raskete vigastuste vältimiseks kasutage seadmega töötades alati kaitseprille. Tolmustes tingimustes kandke näomaski või tolumumaski.

Enne töö alustamist puhastage tööpiirkond võõrkehaded. Eemaldage tööpinnaalt kõik, kivid, klaasikillud, naelad, juhtmed ja nõõrid, mis võivad seadme külge või sisse kinni jääda. Jälgige, et tööpiirkonnas poleks lapsi, kõrvalisi iskuuid ega loomi- Lapsed, kõrvalseisjad ja loomad peavad olema vähemalt 15 meetri kaugusel; ka selle tingimuse täidetuse korral säilib kõrvalseisjatele mõningane oht. Soovitage kõrvalseisjatel kasutada kaitseprille. Kui keegi teile läheneb, seisake mootor ja löikeseade koheselt.

Enne iga kasutuskorda kontrollige ega seadme osad kulunud või kahjustatud pole.

Kontrollige löikepead, piiret ja eesmist abikäepidet ning vahetage välja mõranenud, väändunud, paindunud või muul moel kahjustatud komponendid.

Piirde jõhvi löikav äär võib aja jooksul kuluda. Soovitav on seda arg-ajalt viiliga teritada või nürinemise korral uue vastu vahetada.

⚠ HOIATUS: Piirde paigaldamise või vahetamise ning tera teritamise või vahetamise ajal kasutage alati kindaid. Jälgige tera liikumist ja olge ettevaatlik, et te ei vigastaks oma käsi.

Puhastage trimmerit pärast iga kasutuskorda.

■ Puhastamiseks kasutage ainult pehmetoimelist seepi ja niisket lappi. Ärge laske vedelikul tööriista sisse sattuda ega kastke tööriista vedeliku sisse.

■ Jälgige alati, et mootori korpuse ja võlli õhutusavad oleksid puhtad (joon. O).

Joonise J osade kirjeldus, vt allapoole:

0-1	Võlli õhutusavad
0-2	Mootori korpuse õhutusavad

⚠ ETTEVAATUST: Õhutusava ees olevad objektid takistavad õhu pääsemist mootori korpusesse ning selle tulemusena võib mootor üle kuumeneda või kahjustusi saada.

⚠ HOIATUS: Ärge kunagi puhastage trimmerit veega. Vältige plastosade kasutamisel lahustite kasutamist. Enamik plastmasse lagunevad kaubanduslike lahustite toimel kergesti. Kasutage mustuse, tolmu, õli, rasva jm eemaldamiseks puhast lappi.

LÖIKEJÕHVI KÕRGUSE KOHANDAMINE

Tänu muhuga löikepeale saab kasutaja jõhvi pikenda-da seadet seiskamata. Kui jõhv läheb katki või kulub, puudutage jõhvi pikendamiseks löikepea muhuga kergelt maad ilma trimmerit seiskamata (joon. P).

Parima tulemuse saavutamiseks koputage muhuga vastu paljast teepinda või kõva mulda. Kui üritate jõhvi pikendada tihedale murule koputades, võib mootor üle kuumeneda. Jõhv peab töö käigus alati sirge olema. Löikejõhvi vabastamine muutub jõhvi lühenedes järjest raskemaks.

⚠ HOIATUS: Ärge eemaldage ega kohandage jõhvi löiketera. Liiga pikk jõhv põhjustab mootori ülekuumenemist, mis omakorda suurendab raskete vigastuste ohtu.

MUHU KAITSESEADME KASUTAMINE

Muhu kaitseseade piirab jõhvi löikeulatust ja vähendab ohtu, et pöörlev jõhv võiks kahjustusi põhjustada (joon. Q).

Muhu kaitseseadme kasutamiseks tõmmake see oma algasendist alla (joon. R).

⚠ HOIATUS: Pärast trimmeri välja lülitamist võib löikepea veel mõnda aega pöörlelda. Enne kaitseseadme kohandamist oodake kuni löikepea on täielikult seiskunud. Ärge kohandage kaitseseadet jalaga.

JÕHVI VAHETAMINE

MÄRKUS: Kasutage alati standardset nailonist jõhvi, mille diameeter pole suurem kui 2,0mm

⚠ HOIATUS: Ärge kasutage metallise tugevdusega nõõri, traati, köit vmt. Need võivad murduda ning õhku tõustes ohtlikuks muutuda.

Lõikejõhvi vahetamiseks on kaks võimalust:

1. Kerige uus jõhv pooli ümber.
2. Paigaldage pool, millele on eelnevalt jõhv ümber keritud (AS1301, vajadusel saab osta edasimüüja käest).

Kerige uus jõhv pooli ümber.

Vajutage kahele pooli aluse vabastusnupule ja tõmmake pooli hoidik välja (joon. S). Võtke umbes 7m uut jõhvi. Kerige see ümber pooli, vastavalt joonistel T ja U antud juhistele. Seejärel lükake jõhvi otsad läbi pooli kahe vastastikku asetseva täkke (joon. V), paigaldage pool tagasi oma kohale nii, et pooli täkked on kohakuti pooli pesa augukestega (joon. W). Viimaks joondage pooli pesa sakid aluse ribadega ja suruge pooli pesa aeglaselt alla, jälgides, et see fikseeruks oma kohale (joon. X).

MÄRKUS: Enne trimmeri pea tagasi paigaldamist puhastage alati pooli pesa, pool ja pooli alus. Kontrollige ega pooli pesa või alus kulunud ei ole. Vajadusel vahetage kulunud osad.

MÄRKUS: Kui te ei keri jõhvi ümber pooli näidatud suunas, töötab trimmeri lõikepea valesti.

Eelkeritud pooli paigaldamine

Vajutage kahele pooli aluse vabastusnupule ja tõmmake pooli hoidik välja (joon. S). Seejärel paigaldage valmis-keritud pool pesasse nii, et täkked oleksid kohakuti pesa augukestega (joon. W). Viimaks joondage pooli pesa sakid aluse ribadega ja suruge pooli pesa aeglaselt alla, jälgides, et see fikseeruks oma kohale (joon. X).

Jooniste W ja X osade kirjeldus, vt allapoole:

W-1	Täke	X-1	Vabastussakk
W-2	Auguke	X-2	Pesa

MÄRKUS: Veenduge, et pooli aluse vabastussakid fikseeruvad kohale, sest vastasel korral võib pool töö käigus trimmerist välja kukkuda.

HOOLDUS

⚠ HOIATUS: Remontimisel kasutage vaid originaalvaruosi. Kontrollige ja hoolitage seadet regulaarselt. Ohutuse ja töökindluse tagamiseks soovivad seda seadet remontida ainult vastava kvalifikatsiooniga hooldustehnikud.

⚠ HOIATUS: Akuga töötavaid tööriistu pole vaja vooluvõrku ühendada, seega on nad alati töörežiimis. Raskete vigastuste ennetamiseks olge väga hoolikas, kui teostate hooldus- või remonttöid või vahetate lõikeseadmeid või muid komponente.

⚠ HOIATUS: Raskete vigastuste vältimiseks eemaldage alati aku enne kui asute seadet remontima, puhastama, lisatarvikuid kinnitama või kinni jäänud objekte eemaldama.

SEADME PUHASTAMINE

- Puhastage seade, kasutades õrna puhastusvahendiga immutatud niisket lappi.
- Ärge kasutage plastmasskomponentide või käepideme puhastamiseks tugevatoimelisi puhastusaineid. Seadme osi võivad kahjustada teatud aromaatsed õlid (nt männi- või sidruniõli) ja teatud ained (nt petrooleum). Niiskus võib tekitada elektrilöögi ohu. Eemaldage niiskus pehme kuiva lapiga.
- Tagumise korpuse õhutusavade takistustest puhastamiseks kasutage väikest harja või tolmuimeja väikese harja õhuväljutusava.

SEADME HOIUSTAMINE

- Kui te jõhvtrimmerit ei kasuta, eemaldage selle akuplokk.
- Enne tööriista hoiustamist puhastage see hoolikalt.
- Hoidke tööriista kuivas ja kõrges lukustatud ning lastele ligipääsmatus kohas. Ärge hoidke seadet väetiste, bensiini või muude kemikaalide läheduses.

Keskkonnakaitse



Ärge visake elektriseadmeid, akulaadijat ega patareisid / akusid olmeprügi hulka!

Vastavalt Euroopa Liidu eriaruandele nr 2012/19/EÜ tuleb elektri- ja elektroonikaseadmed, mis pole enam kasutatavad, ning, vastavalt direktiivile 2006/66/EÜ, ka defektsed või kasutatud akuplokid / patareisid, eraldi kokku koguda.

Kui elektriseadmed maetakse maa sisse või viiakse prügimäele, võivad ohtlikud ained põhjavette lekkida ja toiduahelasse sattuda ning kahjustada teie tervist ja heaolu.

EN VASTAVUSDEKLARATSIOON

Meie, EGO EUROPE GMBH

Wahlwiesenstrasse 1, D-71711 Steinheim an der Murr Deutschland

Kinnitame, et see toode, **56-voldise akuga juhtmeta jõhvtrimmer ST1210E** vastab järgmiste direktiividega sätestatud esmastele tervise- ja turvanõuetele:

2006/42/EÜ, 2014/30/EL, 2011/65/EL, 2000/14/EÜ

Viidatud standardid ja tehnilised spetsifikatsioonid:

EN 60335-1, EN 50636-2-91, EN 55014-1, EN 55014-2

Mõõdetud helivõimsuse tase: 90,76 dB(A).

Garanteeritud helivõimsuse tase: 91 dB(A).

Vi lisas kirjeldatud vastavushindamismenetlust järgitakse vastavalt direktiivile 2000/14/EÜ.

Teavitatud asutus: Société Nationale de Certification et d'Homologation

Teavitatud asutuse number: 0499

Peter Melrose
EGO Europe GmbH tegevjuht

Dong Jianxun
Chevroni kvaliteedijuht

* (CHERVONI volitatud esindaja ja tehniliste dokumentide eest vastutav isik)

01/09/2016

TÖRKEOTSING

PROBLEEM	PÕHJUS	LAHENDUS
Jõhvtrimmer ei käivitu.	<ul style="list-style-type: none"> ■ Akuplokk pole trimmeriga ühendatud. ■ Trimmeri ja aku vahel puudub elektriline ühendus. ■ Akuplokk on tühi. ■ Lukustushooba ja päästikut ei vajutatud samaaegselt. 	<ul style="list-style-type: none"> ■ Kinnitage akuplokk trimmeri külge. ■ Eemaldage aku, kontrollige ühendusi ja paigaldage akuplokk tagasi. ■ Laadige akuplokk. ■ Jõhvtrimmeri sisse lülitamiseks vajutage lukustushooba ja hoidke seda all ning suruge päästik alla.
Jõhvtrimmer seiskub niitmise ajal.	<ul style="list-style-type: none"> ■ Piire pole trimmeri külge kinnitatud, mistõttu on jõhv liiga pikaks läinud ja mootor üle koormatud. ■ Kasutatakse rasket jõhvi. ■ Muru on ummistanud mootori võlli või trimmeri pea. ■ Mootor on ülekoormatud ■ Akuplokk või jõhvtrimmer on liiga kuum. ■ Akuplokk on tööriista küljest lahti ühendatud. ■ Akuplokk on tühi. 	<ul style="list-style-type: none"> ■ Eemaldage akuplokk ja kinnitage piire trimmeri külge. ■ Kasutage ainult kuni 2,0-millimeetrise diameetriga nailonist jõhvi. ■ Seisake trimmer, ühendage aku lahti ja eemaldage mootori võlli ja trimmeripea ümber kogunenud muru. ■ Tõstke trimmeri pea muru seest välja. Mootor hakkab uuesti tööle kohe, kui takistus on eemaldatud. Niitmise ajal liigutage trimmeri pead niidetava muru sisse ja sealt välja ning ärge lõigake korraga rohkem kui 20 mm muru. ■ Jahutage akuplokki või trimmerit, kuni temperatuur langeb alla 67°C. ■ Re-install the battery pack. ■ Charge the battery pack.

PROBLEEM	PÕHJUS	LAHENDUS
Trimmeri pea ei anna lisajõhvi välja.	<ul style="list-style-type: none"> ■ Muru on ummistanud mootori võlli või trimmeri pea. ■ Pooli ümber pole piisavalt jõhvi. ■ Trimmeri pea on määrdunud. ■ Jõhv on pooli ümber sõlme läinud. ■ Jõhv on liiga lühike. 	<ul style="list-style-type: none"> ■ Seisake trimmer, ühendage aku lahti ja eemaldage mootori võlli ja trimmeripea ümber kogunenud muru. ■ Eemaldage aku ja vahetage jõhv, järgides käesoleva juhendi alapunktis "JÕHVI VAHETAMINE" antud juhiseid. ■ Eemaldage aku ja puhastage pool ning pooli pesa ja alus. ■ Eemaldage aku ning kerige jõhv pooli pealt maha ja tagasi, järgides käesoleva juhendi alapunktis "JÕHVI VAHETAMINE" antud juhiseid. ■ Eemaldage aku ja tõmmake jõhvi, ning vajutage samaaegselt mitu korda lõikepea muhu peale.
Muru keerdub ümber trimmeri pea ja mootori korpuse.	<ul style="list-style-type: none"> ■ Kõrget muru lõigatakse maapinna lähedal. 	<ul style="list-style-type: none"> ■ Alustage kõrge muru lõikamist ülevalt ja keerdumise vältimiseks eemaldage korraka kuni 20 cm.
Jõhv ei lõika hästi.	<ul style="list-style-type: none"> ■ Piirde jõhvi lõikav äär on kulunud. 	<ul style="list-style-type: none"> ■ Teritage jõhvi lõikavat äärt või vahetage see uue vastu.

GARANTII

EGA GARANTIIPÕHIMÕTTED

Täielikud EGO garantiitingimused leiate veebilehelt egopowerplus.com.

