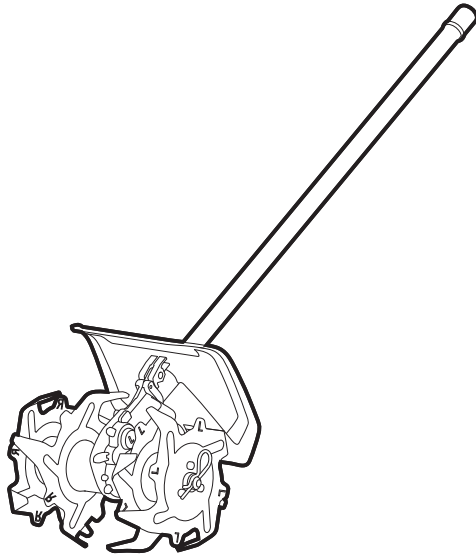


EGO™

POWER⁺ CULTIVATOR ATTACHMENT



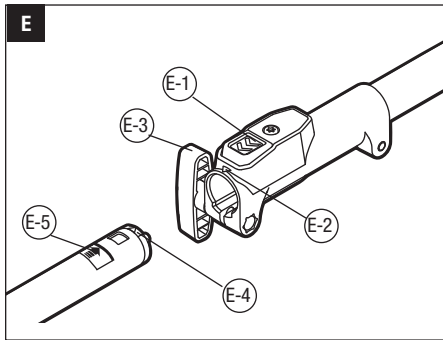
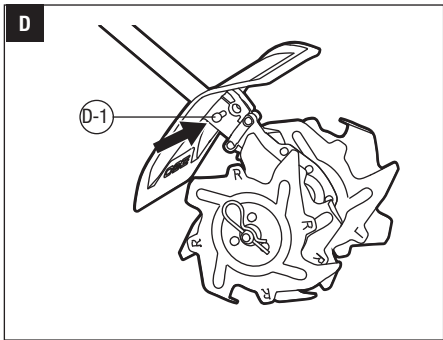
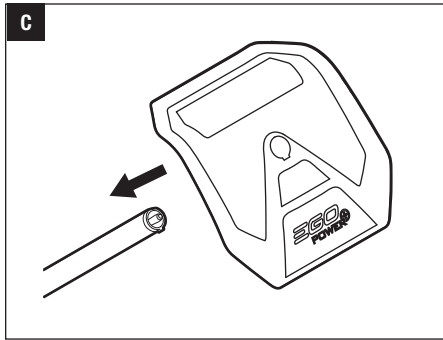
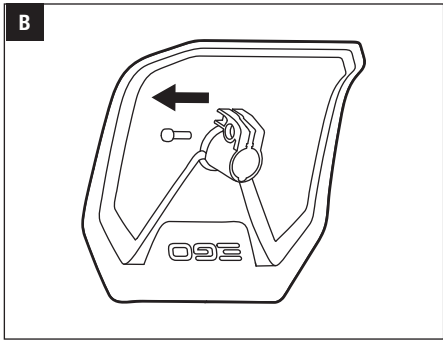
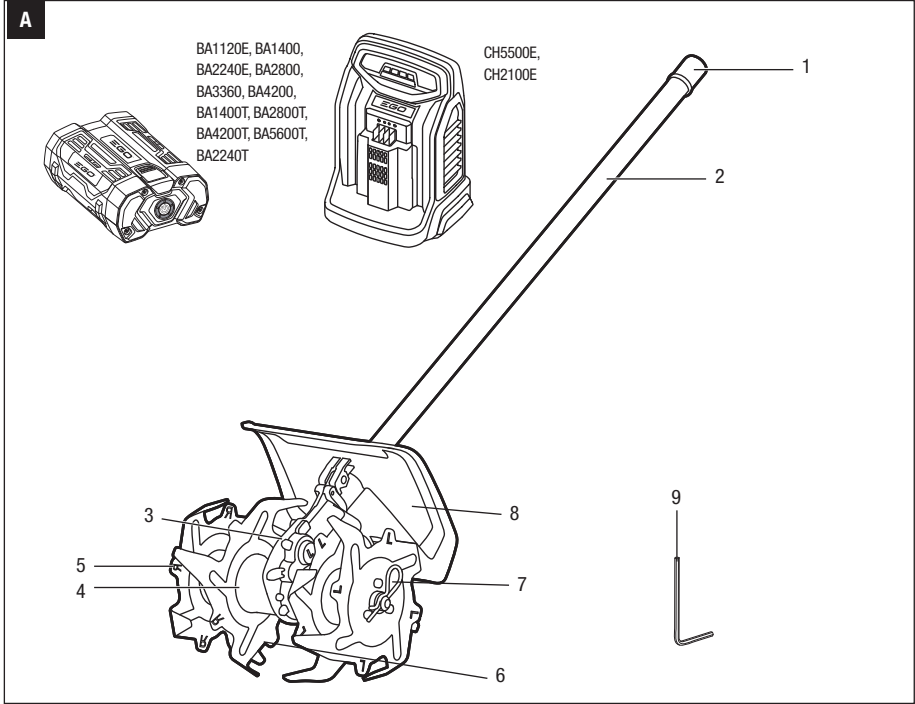
OPERATOR'S MANUAL

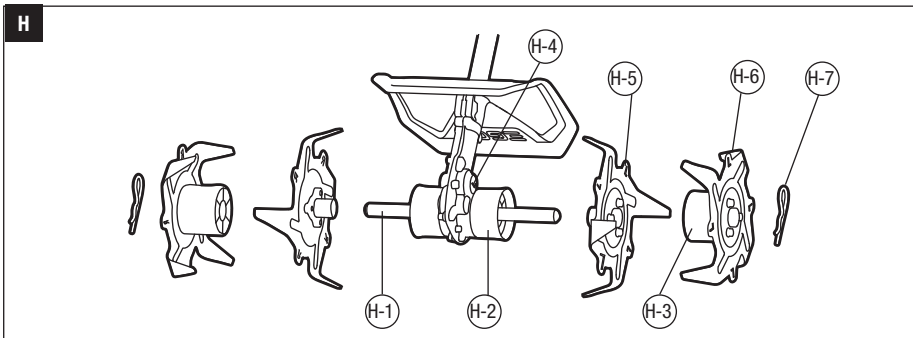
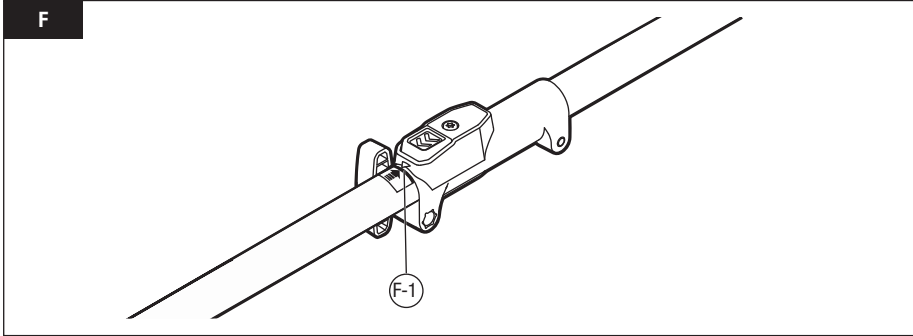
CULTIVATOR ATTACHMENT

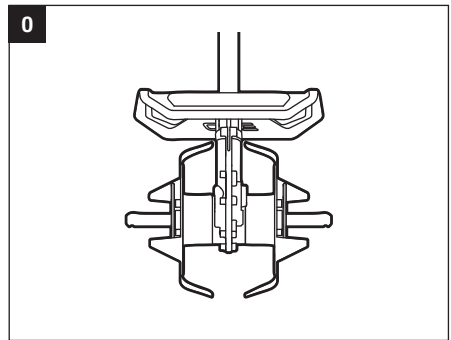
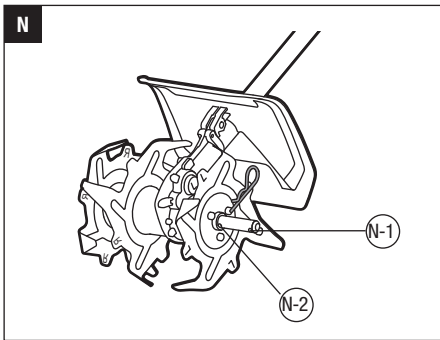
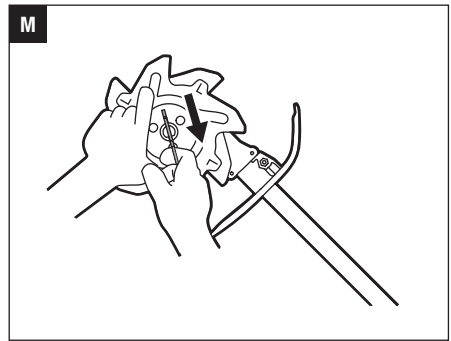
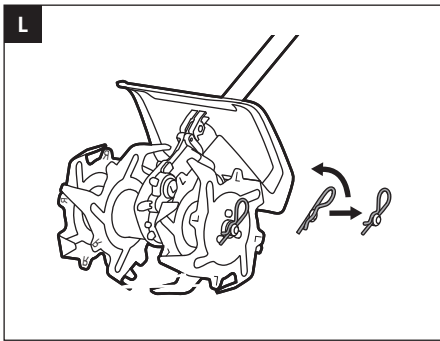
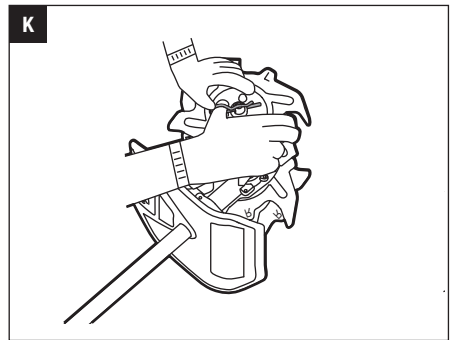
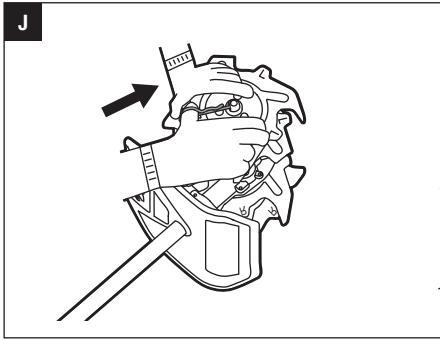
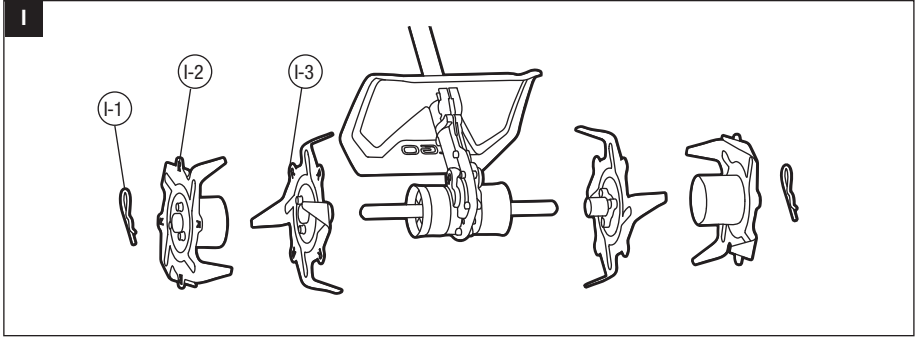
MODEL NUMBER CTA9500

FOR USE ONLY WITH THE 56V LITHIUM-ION POWER HEAD PH1400E

EN	Cultivator attachment	5	RO	Accesoriu motosăpătoare	159
DE	Bodenfräseneinsatz	14	SL	Priključek motokultivatorja	169
FR	Extension cultivateur	24	LT	Kultivatoriaus priedas	178
ES	Accesorio cultivador	34	LV	Kultivatora papildierīce	187
PT	Accesório da máquina de cultivo	44	GR	Προσαρτημα καλλιεργητη	197
IT	Accessorio coltivatore	54	TR	Kültivator eki	208
NL	Cultivator toebehoor	64	ET	Kultivaator	217
DK	Kultivator-tilbehør	74	UK	Насадка-культиватор	226
SE	Kultivator tillbehör	83	BG	Приставка за култиватор	236
FI	Kultivaattorilisäosa	92	HR	Priključak kultivatora	246
NO	Tilbehør: jordfreser	101	KA	მისამაგრებელი კულტივატორი	255
RU	Насадка-культиватор	110	SR	Dodatak kultivatora	270
PL	Końcówka do kultywatora	121	BS	Priključak kultivatora	279
CZ	Nástavec pro kultivátor	131	HE	חיזור קולטור	288
SK	Nástavec pre kultivátor	140	AR	ملحق المحراث	296
HU	Kultivátor tartozék	149			







READ ALL INSTRUCTIONS!



READ OPERATOR'S MANUAL

⚠ Residual risk! People with electronic devices, such as pacemakers, should consult their physician(s) before using this product. Operation of electrical equipment in close proximity to a heart pacemaker could cause interference or failure of the pacemaker.

⚠ WARNING: To ensure safety and reliability, all repairs and replacements should be performed by a qualified service technician.

SAFETY SYMBOLS

The purpose of safety symbols is to attract your attention to possible dangers. The safety symbols and the explanations with them deserve your careful attention and understanding. The symbol warnings do not, by themselves, eliminate any danger. The instructions and warnings they give are no substitutes for proper accident prevention measures.

⚠ WARNING: Be sure to read and understand all safety instructions in this Operator's Manual, including all safety alert symbols such as "**DANGER**," "**WARNING**," and "**CAUTION**" before using this tool. Failure to follow all instructions listed below may result in electric shock, fire, and/or serious personal injury.

SYMBOL MEANING

⚠ SAFETY ALERT SYMBOL: Indicates **DANGER**, **WARNING**, OR **CAUTION**. May be used in conjunction with other symbols or pictographs.





⚠ WARNING: The operation of any power tools can result in foreign objects being thrown into your eyes, which can result in severe eye damage. Before beginning power tool operation, always wear safety goggles or safety glasses with side shield and a full face shield when needed. We recommend a Wide Vision Safety Mask for use over eyeglasses or standard safety glasses with side shields.

SAFETY INSTRUCTIONS

This page depicts and describes safety symbols that may appear on this product. Read, understand, and follow all instructions on the machine before attempting to assemble and operate it.

	Safety Alert	Indicates a potential personal injury hazard.
	Read Operator's Manual	To reduce the risk of injury, user must read and understand operator's manual before using this product.
	Wear Ear protection	Always wear ear protection when operating this product.
	Wear Eye Protection	Always wear safety goggles or safety glasses with side shields when operating this product.
	Wear Protective Gloves	Protect your hands with gloves when handling blades. Heavy-duty, nonslip gloves improve your grip and protect your hands.
	Wear Safety Footwear	Wear Safety Footwear Wear non-slip safety footwear when using this equipment.
	Ricochet	Thrown objects can ricochet and result in personal injury or property damage.
	Keep Feet Away	To reduce the risk of cut injuries, keep feet away from the rotating blades.
	Keep Bystanders Away	Keep Bystanders at a Safe Distance
	CE	This product is in accordance with applicable EC directives.
	WEEE	Waste electrical products should not be disposed of with household waste. Take to an authorized recycler.

	Noise	Guaranteed sound power level.
	Do Not Expose To Rain	Do not use in the rain or leave outdoors while it is raining.
IPX4	IP Symbol	Protection against ingress of water degree 4
V	Volt	Voltage
mm	Millimeter	Length or size
kg	Kilogram	Weight

GENERAL POWER TOOL SAFETY WARNINGS

⚠ WARNING! Read all safety warnings, instructions, illustrations and specifications provided with this power tool. Failure to follow all instructions listed below may result in electric shock, fire and/or serious injury.

Save all warnings and instructions for future reference.

WORK AREA SAFETY

- **Keep work area clean and well lit.** Cluttered or dark areas invite accidents.
- **Do not operate power tools in explosive atmospheres, such as in the presence of flammable liquids, gases or dust.** Power tools create sparks which may ignite the dust or fumes.
- **Keep children and bystanders away while operating a power tool.** Distractions can cause you to lose control.

ELECTRICAL SAFETY

- **Do not expose power tools to rain or wet conditions.** Water entering a power tool will increase the risk of electric shock.

PERSONAL SAFETY

- **Stay alert, watch what you are doing and use common sense when operating a power tool. Do not use a power tool while you are tired or under the influence of drugs, alcohol or medication.** A moment of inattention while operating power tools may result in serious personal injury.

- **Always use personal protective equipment.**

Personal protective equipment such as eye protection, dust mask, non-skid safety shoes, hard hat and/or hearing protection used for appropriate conditions will reduce personal injuries.

- **Prevent unintentional starting. Ensure the switch is in the off-position before connecting to the battery, picking up or carrying the tool.** Carrying power tools with your finger on the switch or energising power tools that have the switch on invites accidents.

- **Remove any adjusting key or wrench before turning the power tool on.** A wrench or a key left attached to a moving part of the power tool may result in personal injury.

- **Do not overreach. Keep proper footing and balance at all times.** This enables better control of the power tool in unexpected situations.

- **Dress properly. Do not wear loose clothing or jewellery. Keep your hair and clothing away from moving parts.** Loose clothes, jewellery or long hair can be caught in moving parts.

- **If devices are provided for the connection of dust extraction and collection facilities, ensure these are connected and properly used.** Use of dust collection can reduce dust-related hazards.

- **Do not let familiarity gained from frequent use of tools allow you to become complacent and ignore tool safety principles.** A careless action can cause severe injury within a fraction of a second.

POWER TOOL USE AND CARE

- **Do not force the power tool. Use the correct power tool for your application.** The correct power tool will do the job better and safer at the rate for which it was designed.

- **Do not use the power tool if the switch does not turn it on and off.** Any power tool that cannot be controlled with the switch is dangerous and must be repaired.

- **Remove the battery pack, if detachable, from the power tool and/or activate any battery disabling device before clearing jammed material, making any adjustments, changing accessories, cleaning, or storing power tools.** Such preventive safety measures reduce the risk of starting the power tool accidentally.

- **Store idle power tools out of the reach of children and do not allow persons unfamiliar with the power tool or these instructions to operate the power tool.** Power tools are dangerous in the hands of untrained users.

- **Maintain power tools and accessories. Check for misalignment or binding of moving parts, breakage of parts and any other condition that may affect the power tool's operation.** If damaged, have the power tool repaired before use. Many accidents are caused by poorly maintained power tools and accessories.
- **Keep cutting tools sharp and clean.** Properly maintained cutting tools with sharp cutting edges are less likely to bind and are easier to control.
- **Use the power tool, accessories and tool bits etc. in accordance with these instructions, taking into account the working conditions and the work to be performed.** Use of the power tool for operations different from those intended could result in a hazardous situation.
- **Keep handles and grasping surfaces dry, clean and free from oil and grease.** Slippery handles and grasping surfaces may lead to unsafe handling and/or loss of control of the tool.
- **Keep cables away from the working area of the tool.** During operation cables may be hidden from view and can be accidentally damaged by the tool.
- **Follow all charging instructions and do not charge the battery pack or tool outside the temperature range specified in the instructions.** Charging improperly or at temperatures outside the specified range may damage the battery and increase the risk of fire.

OTHER SAFETY WARNINGS

Training

- Read the instructions carefully. Be familiar with the controls and the proper use of the machine.
- Never allow people unfamiliar with these instructions or children to use the machine. Local regulations can restrict the age of the operator.
- Never work while people, especial children or pets are nearby.
- Keep in mind that the operator or user is responsible for accidents or hazards occurring to other people or their property.

Preparation

- While working, always wear substantial footwear and long trousers. Do not operate the equipment when barefoot or wearing open sandals.
- Thoroughly inspect the area where the equipment is to be used and remove all objects which can be thrown up by machine
- Before using, always visually inspect to see that the tools are not worn out or damaged. Replace worn out or damaged elements and bolts in sets to preserve balance.

Operation

- Do not operate the engine in the confined space where dangerous carbon monoxide fumes can collect
- Work only in daylight or in good artificial light
- Always be sure of your footing on slopes
- Walk, never run with the machine.
- For wheeled rotary machines, work across the slopes, never up and down.
- Exercise extreme caution when changing direction on slopes.
- Do not work on excessively steep slopes.
- Use extreme caution when reversing or pulling the machine towards you.
- Do not change the engine governor settings or over speed the engine.

BATTERY TOOL USE AND CARE

- **Recharge only with the charger specified by the manufacturer.** A charger that is suitable for one type of battery pack may create a risk of fire when used with another battery pack.
- **Use power tools only with specifically designated battery packs.** Use of any other battery packs may create a risk of injury and fire.
- **When battery pack is not in use, keep it away from other metal objects, like paper clips, coins, keys, nails, screws or other small metal objects, that can make a connection from one terminal to another.** Shorting the battery terminals together may cause burns or a fire.
- **Under abusive conditions, liquid may be ejected from the battery; avoid contact. If contact accidentally occurs, flush with water. If liquid contacts eyes, additionally seek medical help.** Liquid ejected from the battery may cause irritation or burns.
- **Do not use a battery pack or tool that is damaged or modified.** Damaged or modified batteries may exhibit unpredictable behaviour resulting in fire, explosion or risk of injury.
- **Do not expose a battery pack or tool to fire or excessive temperature.** Exposure to fire or temperature above 130 °C may cause explosion.

- Start the engine carefully according to manufacturer instructions and with feet well away from tool.
- Do not put your hands or feet near or under rotating parts.
- Never pick up or carry a machine while the engine is running.
- Use only with battery packs and chargers listed in fig.A.

OPERATION ON A SLOPE:

Slopes are a major factor related to slip-and-fall accidents, which can result in severe injury. Always be sure of your footing on slopes. Operation on slopes requires extra caution. If you feel uneasy on a slope, do not use it.

- Watch for holes, ruts, rocks, hidden objects, or bumps which can cause you to slip or trip. Tall grass can hide obstacles.

SERVICE

- **Have your power tool serviced by a qualified repair person using only identical replacement parts.** This will ensure that the safety of the power tool is maintained.
- **Never service damaged battery packs.** Service of battery packs should only be performed by the manufacturer or authorized service providers.

⚠ WARNING: Read all safety warnings, instructions, illustrations and specifications provided with this power tool. Failure to follow all instructions listed below may result in electric shock, fire and/or serious injury. Save all warnings and instructions for future reference.

SAVE THESE INSTRUCTIONS

SPECIFICATIONS

Tilling Width	240 mm
Tilling Depth	215 mm
Blade Size	215 mm
Operating Temperature	0°C-40°C
Storage Temperature	-20°C-70°C
Weight (including the guard)	3.9 kg
Measured sound power level L_{WA}	87.6 dB(A) K=2.02 dB(A)
Sound pressure level at operator's ear L_{PA}	77.0 dB(A) K=3 dB(A)
Guaranteed sound power level L_{WA} (measured according to 2000/14/EC)	90 dB(A)
Valuation of vibration a_h	Front-assist handle 0.94 m/s ² K= 1.5 m/s ²
	Rear handle 1.24 m/s ² K= 1.5 m/s ²

- The above parameters are tested and measured equipped with power head PH1400E.
- The declared vibration total value has been measured in accordance with a standard test method and may be used for comparing one tool with another;
- The declared vibration total value may also be used in a preliminary assessment of exposure.

NOTICE: The vibration emission during actual use of the power tool can differ from the declared value in which the tool is used; In order to protect the operator, user should wear gloves and ear protectors in the actual conditions of use.

PACKING LIST

PART NAME	QUANTITY
Cultivator Attachment	1
Guard (with bolt)	1
Allen Key	1
Operator's Manual	1

DESCRIPTION

KNOW YOUR EDGER ATTACHMENT (Fig.A)

1. End Cup
2. Cultivator Attachment Shaft
3. Gear Box
4. Sleeve
5. Outer Blades
6. Inner Blades
7. Hitch Pin
8. Guard
9. Allen Key

ASSEMBLY

⚠ WARNING: If any parts are damaged or missing, do not operate this product until the parts are replaced. Use of this product with damaged or missing parts could result in serious personal injury.

⚠ WARNING: Do not attempt to modify this product or create accessories not recommended for use with this product. Any such alteration or modification is misuse and could result in a hazardous condition leading to possibly serious personal injury.

⚠ WARNING: Always wear heavy gloves when installing or removing the blade or doing any maintenance on the blade. Be careful of the blade and protect your hands from being injured by the blade.

⚠ WARNING: Do not connect the cultivator to the power head until assembly is complete. Failure to comply could result in accidental starting and possible serious personal injury.

MOUNTING THE GUARD

⚠ WARNING: Install the guard before the cultivator attachment is connected to the power head.

1. Loosen and remove the bolt from the guard with the Allen key (Fig. B).
2. Lift the cultivator attachment shaft and remove the end cap from the shaft.
3. Aligned the slot in the guard with metal tab on the end of the shaft, pass the guard through the shaft until the screw holes in the guard and in the metal tab are aligned (Fig. C & D).
4. Use Allen key to tighten the bolt clockwise to lock the guard securely.

Fig. D parts description see below:

D-1	Bolt
-----	------

CONNECTING THE CULTIVATOR ATTACHMENT TO THE POWER HEAD

⚠ WARNING: Never attach or adjust any attachment while the power head is running or with the battery installed. Failure to stop the motor and remove the battery may cause serious personal injury.

This cultivator attachment is designed for use with EGO Power Head PH1400E

1. Stop the motor and remove the battery pack
2. Loosen the wing nut on the power head coupler.
3. If the end cap is on the attachment shaft, remove it and save it in a safe place for later use.

Align the arrow on the cultivator shaft with the arrow on the coupler (Fig. E) and push the cultivator shaft into the coupler until you hear a clear "CLICK" sound(Fig. F).

Fig. E parts description see below:

E-1	Shaft-Release Button
E-2	Arrow on the Coupler
E-3	Wing Nut
E-4	Arrow on the Attachment Shaft
E-5	Red Line

Fig. F parts description see below:

F-1	Red Line
-----	----------

4. Slightly pull the shaft of the cultivator attachment to verify that it is securely locked into the coupler. If not, move the cultivator shaft back and forth in the coupler until a clear "CLICK" sound indicates that it is engaged.
5. Tighten the wing nut securely.

⚠ WARNING: Be sure the wing nut on the coupler is fully tightened before operating the equipment; check it periodically for tightness during use to avoid serious personal injury.

REMOVING THE ATTACHMENT FROM THE POWER HEAD

1. Stop the motor and remove the battery pack.
2. Loosen the wing nut.
3. With the shaft-release button depressed, pull or twist the cultivator attachment shaft out of the coupler to remove it from the power head

EN OPERATION

⚠ WARNING: Do not allow familiarity with this product to make you careless. Remember that a careless fraction of a second is sufficient to inflict serious injury.

⚠ WARNING: Always wear eye protection, along with hearing protection. Failure to do so could result in objects being thrown into your eyes and other possible serious injuries.

⚠ WARNING: Do not use any attachments or accessories not recommended by the manufacturer of this product. The use of attachments or accessories not recommended can result in serious personal injury.

APPLICATIONS

You may use this product for the purpose listed below:

- Breaking up garden soil to prepare seed beds for re-planting.
- Shallow cultivating to uproot weeds or loosen soil around plants, making it easier for the air or water to penetrate, deep into the soil.
- Top dressing soil with compost, leaves or other organic fertilizers. Shallow cultivation will loosen the top crust of soil and integrate the added nutrients.
- Trenching or furrowing in loosened soil.

NOTICE: To avoid any damage to the cultivator or trees, take care not to catch the blades on large roots of trees. Avoid cultivating too deeply, as this could damage the shallow roots of some plants.

USING THE CULTIVATOR ATTACHMENT WITH POWER HEAD

⚠ WARNING: Dress properly to reduce the risk of injury when operating this tool. Do not wear loose clothing or jewelry. Wear eye protection. Wear safety shoes. Wear heavy, long pants, boots, and gloves. Do not wear short pants or sandals or go barefoot. Hold the cultivator with one hand on the rear handle and the other hand on the front-assist handle. Keep a firm grip with both hands while operating the cultivator. The cultivator should be held at a comfortable position, with the rear handle about hip height.

Maintain your grip, and balance on both feet (Fig. G).

You can work by moving the cultivator forward or backward, from left to right, right to left, or in a circular motion. Choose the best method to suit your purpose, which will depend on the shape and size of the area and soil conditions.

Working in an alternating backward and forward motion is particularly suitable for loosening packed soil.

When trenching or furrowing, walk slowly backward and pull the cultivator to create the furrow. Repeat as necessary to obtain deeper furrows.

NOTICE: Pulling the cultivator carefully toward you while it is digging into the soil will reduce your effort and make the tilling easier.

Thrown materials may seriously injure the operator or bystander. To reduce the risk of personal injury, it is essential to take the following precautions:

- Inspect and clear the area of any hidden objects such as glass, stones, rocks, concrete, fence wire, pieces of metal, etc., which can be thrown or entangled in the blades. Avoid contact with hard or solid foreign objects.
- Inspect the blades regularly and often for signs of damage or after hitting a hard object. Do not continue working with a damaged blade.
- Always hold the cultivator with both hands when operating. Use a firm grip on both handles.
- Move the cultivator to the work area before starting and start the cultivator at a lower speed.

Before each use check for damaged and/or worn parts. Check the blades, guard, and front-assist handle and replace any parts that are cracked, warped, bent, or damaged in any way.

Clean the cultivator after each use

TO START/STOP THE TOOL

See “STARTING/STOPPING THE POWER HEAD” section in the power head PH1400E

MAINTENANCE

⚠ WARNING: When servicing, use only identical replacement parts. Use of any other parts may create a hazard or cause product damage. To ensure safety and reliability, all repairs should be performed by a qualified service technician.

⚠ WARNING: Battery tools do not have to be plugged into an electrical outlet; therefore, they are always in operating condition. To prevent serious personal injury, take extra precautions and care when performing maintenance, service or for changing the cutting attachment or other attachments.

⚠ WARNING: To prevent serious personal injury, remove the battery pack from the power head and wait for all blades to stop before servicing, cleaning, changing add-on attachments or when the product is not in use.

⚠ WARNING: Always wear heavy gloves when installing or removing the blade or performing any maintenance on the blade. Be careful of the blade and protect your hands from being injured by the blade.

GENERAL MAINTENANCE

⚠ WARNING: Do not at any time let brake fluids, gasoline, petroleum-based products, penetrating oils, etc., come in contact with plastic parts. Chemicals can damage, weaken, or destroy plastic, which may result in serious personal injury.

⚠ WARNING: When cleaning the cultivator attachment, DO NOT immerse it in water or other liquids. Do not clean your machine with a pressure washer. The solid jet of water may damage parts of the machine.

- Keep all nuts, bolts and screws tight to ensure the equipment is in safe working condition.
- To reduce the fire hazard, keep the engine, silencer, battery compartment free of vegetative material and excessive grease.
- Replace worn or damaged parts for safety.

BLADE MAINTENANCE

- Maintain the blades with anti-rust oil regularly.
- If any of the blades needs replacing due to wear, replace all four blades for best performance.

All cultivator service, other than the items listed in these maintenance instructions, should be performed by an authorized service personnel.

To Replace

The cultivator has four blades – two inner blades and two outer blades. For correct operation of the cultivator, the blades must be installed in the correct orientation. Symbols L and R are stamped on the blades (Fig. H & I).

Fig. H & I parts description see below:

H-1	Driven Shaft	H-7	Hitch Pin
H-2	Inner Sleeve	I-1	Hitch Pin
H-3	Outer Sleeve	I-2	Outer Blade Stamped "R"
H-4	Symbol L	I-3	Inner Blade Stamped "R"
H-5	Inner Blade Stamped "L"	I-4	Symbol R
H-6	Outer Blade Stamped "L"		

NOTICE: THE BLADES THAT HAVE TINES FACING IN BOTH DIRECTIONS MUST BE MOUNTED ON THE INSIDE, CLOSEST TO THE GEAR BO.

1. Wear gloves.
2. Place the inner blade, stamped "L", which has tines facing in both directions, to the left of the gear box.
3. Place the outer blade, stamped "L", (tines face one way only) on the same side. with the outer sleeve against the inner blade.
4. To secure the blade to the drive shaft, insert the hitch pin into the locking hole-1. See Fig. J, K, L and N for reference.
5. Turn over the tool with the installed blade resting against the ground.
6. Place the inner blade stamped "R", which has tines facing in both directions, to the right of the gear box.
7. Place the outer blade, stamped "R", (tines face one way only) on the same side. with the outer sleeve against the inner blade.
8. To secure the blade to the drive shaft, insert the hitch pin into the locking hole-1 and then turn the hitch pin for 90°. See Fig. J, K, L and N for reference.

⚠ WARNING: The unit will not operate properly or may cause danger to the operator or bystanders if the blades are installed incorrectly. If you notice a problem with the cultivating operation of the unit, check for proper blade positioning.

THE BLADES THAT HAVE TINES FACING IN BOTH DIRECTIONS MUST BE MOUNTED ON THE INSIDE, CLOSEST TO THE GEAR CASE.

To Adjust

When tilling in a confined area or between rows, the cultivator may be used with only the inner blades installed.

Wear gloves and remove the two hitch pins to remove the two outer blades (Fig. M), and then insert the hitch pins into the locking hole-2 (Fig. N & O).

Fig. N parts description see below:

N-1	Locking Hole-1
N-2	Locking Hole-2

NOTICE: Do not force the blades on or off the drive shaft. If you experience difficulty when removing the blades, apply some penetrating oil on the shaft. When reinstalling the blades, make sure to clean and oil the drive shaft and the blades.

CLEAN THE UNIT

Parts of plants, such as roots, can become tightly wrapped around or between the rotating blades during operating. To clean the rotating blades:

- Remove the battery.
- Wear gloves. Clean the pieces of roots, clogged soils or plants on the blade, guard or the gear box. For thorough cleaning, remove the blades and guard to wash them thoroughly. For detailed replacement steps please see above section

“REPLACING OR ADJUSTING THE BLADES”.

- Wipe the tool surface with a clean cloth moistened with a mild soap solution

STORING THE UNIT

- Remove the battery pack from the tool.
- Remove the cultivator attachment from the power head and cover the attachment shaft with end cap to avoid dirt getting into the coupling.
- Store the tool in a dry, well-ventilated area, out of the reach of children. Do not store the unit on or adjacent to fertilizers, gasoline, or other chemicals.

Protecting the environment



Do not dispose of electrical equipment, battery charger and batteries/ rechargeable batteries into household waste! According to the European law 2012/19/EU, electrical and electronic equipment that is no longer usable, and according to the European law 2006/66/EC, defective or used battery packs/batteries, must be collected separately. If electrical appliances are disposed of in landfills or dumps, hazardous substances can leak into the groundwater and get into the food chain, damaging your health and well-being.

TROUBLE SHOOTING

EN

PROBLEM	CAUSE	SOLUTION
Cultivator fails to start.	<ul style="list-style-type: none"> ■ The battery pack is not properly attached to the power head. ■ No electrical contact between the power head and the battery pack. ■ The battery pack is depleted. ■ The lock-off lever and trigger are not depressed simultaneously. 	<ul style="list-style-type: none"> ■ Attach the battery pack to the power head. ■ Remove battery, check contacts and reinstall the battery pack so that it snaps into place. ■ Charge the battery pack with an EGO charger listed in this manual. ■ Press the lock-off lever and hold it, then depress the trigger to turn on the unit.
Cultivator stops while tilling.	<ul style="list-style-type: none"> ■ The motor is overloaded. ■ The battery pack is too hot. ■ The blades are jammed. 	<ul style="list-style-type: none"> ■ The motor will recover when the load is removed. For continuous work, decrease the load on the cultivator and avoid deep tilling; instead, make progressively deeper cuts. ■ Allow the battery pack or to cool until the its temperature drops below 67°C. ■ Remove the battery from the power head, manually rotate the blades back and forth to remove the stones or other obstacles between the blades or between the blade and the gear box. ■ Re-install the battery pack.
	<ul style="list-style-type: none"> ■ The battery pack is disconnected from the tool 	<ul style="list-style-type: none"> ■ Re-install the battery pack.
	<ul style="list-style-type: none"> ■ The battery pack is depleted 	<ul style="list-style-type: none"> ■ Charge the battery pack with an EGO charger listed in this manual.

WARRANTY

EGO WARRANTY POLICY

Please visit the website egopowerplus.com for full terms and conditions of the EGO Warranty policy.

LESEN SIE ALLE ANWEISUNGEN!



LESEN UND BEACHTEN SIE DIE BEDIENUNGSANLEITUNG

⚠ Restrisiko! Menschen mit elektronischen Geräten, wie z.B. Herzschrittmachern, sollten ihren Arzt konsultieren, bevor sie dieses Gerät verwenden. Die Bedienung von Elektrogeräten in unmittelbarer Nähe zu Herzschrittmachern kann zu Interferenzen und Störungen des Schrittmachers führen.

⚠ WARNUNG: Um die Sicherheit und Zuverlässigkeit zu gewährleisten, sollten alle Reparaturen und der Austausch von Teilen nur von qualifizierten Servicetechnikern durchgeführt werden.

SICHERHEITSSYMBOL

Der Zweck von Sicherheitssymbolen besteht darin, Ihre Aufmerksamkeit auf mögliche Gefahren zu lenken. Die Sicherheitssymbole und deren Erklärungen verdienen Ihre vollste Aufmerksamkeit und Ihr Verständnis. Die Warnsymbole beseitigen nicht von sich aus die Gefahren. Ihre Anweisungen und Warnungen sind kein Ersatz für angemessene Unfallverhütungsmaßnahmen.

⚠ WARNUNG: Achten sie darauf, dass sie, bevor Sie das Gerät benutzen, alle Sicherheitsanweisungen dieser Bedienungsanleitung gelesen und verstanden haben, einschließlich aller Gefahrenzeichen wie „**VORSICHT**“, „**WARNUNG**“ und „**ACHTUNG**“. Die Nichtbeachtung der unten angeführten Anweisungen kann zu Stromschlägen, Feuer und/oder schweren Personenschäden führen.

SYMBOLBEDEUTUNG

⚠ SICHERHEITSWARNSYMBOL: Weist auf **GEFAHR**, eine **WARNUNG** oder **VORSICHT** hin. Kann zusammen mit anderen Symbolen oder Bildern verwendet werden.



⚠ WARNUNG: Die Bedienung von Elektrogeräten kann dazu führen, dass Fremdkörper in Ihre Augen geschleudert werden und Sie dadurch schwerwiegende Augenschäden davontragen. Tragen Sie immer eine Schutzbrille, wenn möglich mit Seitenschutz, oder, falls nötig, einen vollen Gesichtsschutz, bevor Sie Arbeiten mit dem Elektrowerkzeug verrichten. Wir empfehlen Ihnen, einen Gesichtsschutz über Ihrer eigenen Brille oder eine herkömmliche Schutzbrille mit Seitenschutz zu tragen.

SICHERHEITSHINWEISE

Diese Seite zeigt und beschreibt die Sicherheitssymbole, die auf diesem Produkt erscheinen können. Lesen, verstehen und befolgen Sie die Anleitungen auf der Maschine, bevor Sie versuchen, die Maschine zusammenzubauen oder zu bedienen.

	Sicherheitswarnung	Weist auf mögliche Verletzungsgefahr hin.
	Lesen & verstehen Sie die Bedienungsanleitung	Um das Verletzungsrisiko zu verringern, muss der Benutzer die Bedienungsanleitung vor der Benutzung des Gerätes gelesen und verstanden haben.
	Tragen Sie einen Gehörschutz.	Tragen Sie immer einen Gehörschutz, wenn Sie das Gerät bedienen.
	Augenschutz tragen	Tragen Sie immer eine Schutzbrille, möglichst mit Seitenschutz, wenn Sie das Gerät bedienen.
	Tragen Sie Schutzhandschuhe	Schützen Sie Ihre Hände mit Handschuhen, wenn Sie die Messer anfassen. Robuste, rutschfeste Handschuhe verbessern Ihre Griffsicherheit und schützen Ihre Hände.
	Tragen Sie Sicherheitsschuhe	Tragen Sie beim Gebrauch dieses Gerätes rutschfeste Sicherheitsschuhe.

	Querschläger	Weggeschleuderte Gegenstände können abprallen und Personen- oder Sachschäden verursachen.
	Füße fernhalten	Um das Risiko von Schnittverletzungen zu verringern, halten Sie Ihre Füße von den rotierenden Messern fern.
	Unbefugte Personen fernhalten	Sicherheitsabstand einhalten
	CE	Dieses Produkt erfüllt die anwendbaren EG-Richtlinien.
	WEEE	Elektro- und Elektronik-Altgeräte dürfen nicht im Hausmüll entsorgt werden. Bringen Sie das Gerät zu einem zugelassenen Recyclinghof.
	Geräusch	Garantierter Schallleistungspegel.
	Vor Regen schützen	Nicht im Regen verwenden oder bei Regen im Freien liegen lassen.
IPX4	IP-Symbol	Grad-4-Schutz gegen das Eindringen von Wasser
V	Volt	Spannung
mm	Millimeter	Länge oder Größe
kg	Kilogramm	Gewicht

ALLGEMEINE SICHERHEITSHINWEISE ZU ELEKTROWERKZEUGEN

⚠️ WARNUNG! Beachten Sie alle Warnhinweise, Anleitungen, Abbildungen und technischen Daten, die diesem Elektrowerkzeug beigelegt sind. Die Nichtbeachtung der unten aufgeführten Anleitungen kann zu Stromschlägen, Feuer und/oder schweren Verletzungen führen.

Bewahren Sie alle Warn- und Bedienhinweise für Nachschlagezwecke auf.

SICHERHEIT IM ARBEITSBEREICH

- **Halten Sie den Arbeitsbereich stets sauber und gut beleuchtet.** Nicht aufgeräumte oder dunkle Bereiche können Unfälle provozieren.
- **Verwenden Sie das Elektrowerkzeug nicht in explosionsgefährdeten Umgebungen wie z. B. in Gegenwart von entzündlichen Flüssigkeiten, Gasen oder Staub.** Elektrowerkzeuge erzeugen Funken, die Staub oder Dämpfe entzünden können.
- **Halten Sie Schaulustige und Kinder beim Arbeiten mit dem Elektrowerkzeug fern.** Ablenkungen können dazu führen, dass Sie die Kontrolle verlieren.

ELEKTRISCHE SICHERHEIT

- **Setzen Sie Elektrowerkzeuge nicht bei Regen oder unter anderen feuchten Bedingungen ein.** Wenn Wasser in das Elektrowerkzeug eindringt, besteht erhöhte Stromschlaggefahr.

PERSONENSICHERHEIT

- **Seien Sie wachsam, geben Sie darauf Acht, was Sie tun, und benutzen Sie Ihren gesunden Menschenverstand, wenn Sie das Elektrowerkzeug verwenden. Betreiben Sie das Gerät nicht, wenn Sie müde sind oder unter dem Einfluss von Drogen, Alkohol oder Medikamenten stehen.** Ein Moment der Unachtsamkeit bei der Bedienung von Elektrowerkzeugen kann zu ernsthaften Verletzungen führen.
- **Tragen Sie immer eine persönliche Schutzausrüstung.** Durch eine für die jeweiligen Bedingungen geeignete persönliche Schutzausrüstung wie etwa eine Schutzbrille, Staubschutzmaske, rutschfeste Schuhe, Helm und/oder Gehörschutz lässt sich die Verletzungsgefahr verringern.
- **Ungewollten Motorstart verhindern. Kontrollieren Sie vor dem Anschließen an einen Akku und vor dem Aufheben oder Transportieren des Werkzeugs immer, ob der Betriebsschalter ausgestellt ist.** Unfälle sind vorprogrammiert, wenn Sie Elektrowerkzeuge mit einem Finger am Netzschalter tragen oder Elektrowerkzeuge mit eingeschaltetem Netzschalter an eine Steckdose anschließen.
- **Entfernen Sie alle Einstellschlüssel oder Schraubenschlüssel, bevor Sie das Elektrowerkzeug einschalten.** Ein Schraubenschlüssel oder ein Schlüssel, der noch an einem beweglichen Teil des Elektrowerkzeuges befestigt ist, kann zu Verletzungen führen.
- **Nicht überstrecken. Achten Sie stets auf einen festen Stand und halten Sie das Gleichgewicht.** Dies ermöglicht eine bessere Kontrolle über das Elektrowerkzeug in unerwarteten Situationen.

- **Tragen Sie angemessene Kleidung. Tragen Sie keine weite Kleidung oder Schmuck. Halten Sie Ihr Haar und Ihre Kleidung von den beweglichen Teilen fern. Weite Kleidung, Schmuck oder langes Haar können sich in den beweglichen Teilen verfangen.**
- **Wenn Komponenten zum Anschluss an eine Absauganlage und an Auffangvorrichtungen mitgeliefert werden, achten Sie darauf, dass diese ordnungsgemäß befestigt und benutzt werden.** Die Verwendung einer Staubauffangvorrichtung kann Gefahren durch Staub reduzieren.
- **Lassen Sie sich nicht durch die aufgrund häufiger Benutzung entstandene Vertrautheit mit Werkzeugen dazu verleiten, unachtsam zu werden und die für Werkzeuge geltenden Sicherheitsgrundsätze zu ignorieren.** Eine fahrlässige Handlung kann bereits im Bruchteil einer Sekunde zu schweren Verletzungen führen.

GEBRAUCH UND PFLEGE DES ELEKTROWERKZEUGS

- **Üben Sie keinen übermäßigen Druck auf das Elektrowerkzeug aus. Verwenden Sie geeignetes Elektrowerkzeug für die jeweiligen Arbeiten.** Durch das passende Elektrowerkzeug lassen sich die Arbeiten besser und sicherer in dem jeweils vorgesehenen Tempo erledigen.
- **Verwenden Sie das Elektrowerkzeug nicht, wenn sich der Schalter nicht ein- und ausschalten lässt.** Ein Elektrowerkzeug, das sich über den Schalter nicht betätigen lässt, ist gefährlich und muss repariert werden.
- **Entfernen Sie den Akku, sofern abnehmbar, von dem Elektrowerkzeug und/oder deaktivieren Sie den Akku mit eventuell vorhandenen Vorrichtungen, bevor Sie eingeklemmtes Schnittgut entfernen, Einstellungen vornehmen, Zubehör auswechseln, das Elektrowerkzeug reinigen oder lagern.** Solche vorsorglichen Sicherheitsmaßnahmen verringern die Gefahr, dass sich das Elektrowerkzeug unbeabsichtigt einschaltet.
- **Bewahren Sie nicht benutzte Elektrowerkzeuge außerhalb der Reichweite von Kindern auf und verbieten Sie Personen die Gerätebenutzung, die das Elektrowerkzeug oder diese Anweisungen nicht kennen.** In den Händen ungeübter Benutzer stellen Elektrowerkzeuge eine große Gefahr dar.
- **Warten Sie Elektrowerkzeuge und Zubehörteile. Achten Sie auf falsch ausgerichtete oder fest sitzende Bauteile, Bruchstellen und sonstige Umstände, die die Funktion des Elektrowerkzeuges beeinträchtigen können.** Lassen Sie beschädigte Elektrowerkzeuge reparieren, bevor Sie sie wieder einsetzen. Viele Unfälle entstehen durch schlecht

gewartete Elektrowerkzeuge und Zubehörteile.

- **Halten Sie Schneidwerkzeuge scharf und sauber.** Sachgemäß gewartete Schneidwerkzeuge mit scharfen Schneiden neigen weniger zum Festfahren und sind leichter zu kontrollieren.
- **Benutzen Sie das Elektrowerkzeug, Zubehör, Werkzeuteile usw. gemäß diesen Anweisungen und berücksichtigen Sie dabei die Arbeitsbedingungen und die auszuführende Arbeit.** Die Verwendung des Elektrowerkzeugs für Aufgaben, die von seinem bestimmungsgemäßen Zweck abweichen, kann zu gefährlichen Situationen führen.
- **Halten Sie die Griffe und Griffflächen trocken, sauber und frei von Öl und Fett.** Rutschige Griffe und Griffflächen können zu unsicherer Bedienung und/oder Kontrollverlust am Werkzeug führen.
- **Halten Sie Kabel vom Arbeitsbereich des Werkzeugs fern.** Während der Arbeiten können Kabel verdeckt oder verborgen sein und versehentlich von dem Werkzeug beschädigt werden.

BENUTZUNG UND PFLEGE VON AKKUWERKZEUGEN

- **Laden Sie den Akku nur mit dem vom Hersteller angegebenen Ladegerät auf.** Ein Ladegerät, das für einen bestimmten Akkutyp geeignet ist, kann bei der Benutzung eines anderen Akkus zu einer Brandgefahr werden.
- **Benutzen Sie für die Elektrowerkzeuge nur die jeweils zugehörigen Akkus.** Durch die Verwendung anderer Akkus besteht Verletzungs- und Brandgefahr.
- **Wenn der Akku nicht benutzt wird, halten Sie ihn von anderen metallischen Objekten fern, wie Büroklammern, Münzen, Schlüssel, Nägel, Schrauben oder anderen kleinen Metallgegenständen, die eine Verbindung zwischen den Batteriekontakten herstellen können.** Das Kurzschließen der Batteriekontakte kann Verbrennungen oder Brände verursachen.
- **Bei unsachgemäßer Anwendung kann Flüssigkeit aus dem Akku austreten; Kontakt vermeiden.** Bei versehentlichem Kontakt sofort mit Wasser spülen. Falls Flüssigkeit in die Augen geraten ist, suchen Sie außerdem einen Arzt auf. Aus dem Akku austretende Flüssigkeit kann Reizungen oder Verbrennungen verursachen.
- **Benutzen Sie keinen Akku oder ein Werkzeug, das beschädigt oder umgebaut wurde.** Beschädigte oder umgebaute Akkus können sich unvorhergesehen verhalten, wodurch möglicherweise ein Brand, eine Explosion oder Verletzungen verursacht werden.
- **Setzen Sie einen Akku oder ein Werkzeug keinem Feuer oder extremen Temperaturen aus.** Feuer oder Temperaturen über 130 °C können eine Explosion verursachen.

- **Beachten Sie alle Ladeanleitungen und laden Sie den Akku oder das Werkzeug nicht außerhalb des in den Anleitungen angegebenen Temperaturbereichs auf.** Das unsachgemäße Aufladen oder Laden außerhalb des angegebenen Temperaturbereichs kann den Akku beschädigen und die Brandgefahr erhöhen.

SONSTIGE SICHERHEITSHINWEISE

TRAINING

- Lesen Sie die Anweisungen aufmerksam. Machen Sie sich mit den Bedienelementen und der richtigen Handhabung des Gerätes vertraut.
- Kindern sowie allen Personen, denen die vorliegenden Anweisungen nicht bekannt sind, muss die Nutzung des Geräts untersagt werden. Für das Mindestalter des Benutzers gelten örtliche Vorschriften.
- Betreiben Sie die Bodenfräse niemals, solange sich noch Personen, insbesondere Kinder oder Haustiere in der Nähe aufhalten.
- Beachten Sie, dass für Unfälle, Personen- oder Sachschäden Dritter der Bediener oder Nutzer des Geräts verantwortlich ist.

VORBEREITUNG

- Tragen Sie bei der Arbeit immer festes Schuhwerk und lange Hosen. Setzen Sie das Gerät nicht in Betrieb, wenn Sie barfuß sind oder offene Sandalen tragen.
- Untersuchen Sie gründlich den Bereich, in dem Sie das Gerät einsetzen möchten, und entfernen Sie alle Fremdkörper, die von der Maschine weggeschleudert werden können.
- Kontrollieren Sie das Gerät optisch vor jeder Inbetriebnahme auf Abnutzung oder Beschädigung. Tauschen Sie abgenutzte oder beschädigte Elemente und Schrauben immer komplett im Satz aus, um die Auswuchtung beizubehalten.

BEDIENUNG

- Nutzen Sie das Gerät nicht in engen Räumen, wo sich gefährliche Kohlenmonoxidämpfe sammeln können.
- Arbeiten Sie nur bei Tageslicht oder gutem künstlichem Licht.
- An Hängen immer auf einen festen Stand achten.
- Rennen Sie nicht mit der Maschine, gehen Sie.
- Arbeiten Sie mit einer Fräse mit Rädern immer quer zum Hang und niemals auf- und abwärts.
- Seien Sie besonders vorsichtig, wenn Sie an Hängen die Richtung ändern.
- Arbeiten Sie nicht an übermäßig steilen Hängen.

- Seien Sie besonders vorsichtig, wenn Sie rückwärts gehen oder das Gerät zu sich heran ziehen.
- Ändern Sie die Drehzahlstellungen des Motors nicht und überdrehen Sie den Motor nicht.
- Starten Sie den Motor sorgfältig nach der Anleitung des Herstellers, mit den Füßen in sicherer Entfernung.
- Bringen Sie Hände oder Füße nicht in die Nähe oder unter die rotierenden Teile.
- Tragen oder heben Sie das Gerät niemals an, während der Motor läuft.
- Nur mit akkus und ladegeräten verwenden, die in abb. A aufgeführt sind.

BENUTZUNG AN EINEM HANG:

Hänge sind eine der Hauptursachen bei Unfällen durch Ausrutschen und Stürzen, die zu schweren Verletzungen führen können. Achten Sie an Hängen immer auf einen festen Stand. Die Arbeit an Hängen erfordert besondere Vorsicht. Wenn Sie ein ungesundes Gefühl an einem Hang haben, fräsen Sie ihn nicht.

- Achten Sie auf Löcher, Furchen, Steine, verdeckte Gegenstände oder Bodenwellen, die Sie zum Ausrutschen oder Stürzen bringen können. Hindernisse können von hohem Gras verdeckt werden.

REPARATUR

- **Lassen Sie Ihr Elektrowerkzeug von einer qualifizierten Fachkraft und nur unter Verwendung identischer Ersatzteile reparieren.** Nur so kann für die Sicherheit des Elektrowerkzeugs gesorgt werden.
- **Reparieren Sie unter keinen Umständen beschädigte Akkus.** Die Reparatur von Akkus sollte ausschließlich von dem Hersteller oder autorisierten Serviceanbietern vorgenommen werden.

⚠️ WARNUNG: Beachten Sie alle Warnhinweise, Anleitungen, Abbildungen und technischen Daten, die diesem Elektrowerkzeug beigelegt sind. Die Nichtbeachtung der unten aufgeführten Anleitungen kann zu Stromschlägen, Feuer und/oder schweren Verletzungen führen. Bewahren Sie alle Warn- und Bedienungshinweise für Nachschlagezwecke auf.

HEBEN SIE DIESE ANLEITUNG AUF!

TECHNISCHE DATEN

DE

Arbeitsbreite	240 mm	
Arbeitstiefe	215 mm	
Messergöße	215 mm	
Betriebstemperatur	0°C-40°C	
Lagertemperatur	-20°C-70°C	
Gewicht (einschließlich Schutzabdeckung)	3,9 kg	
Gemessener Schalleistungspegel L_{WA}	87,6 dB(A) K=2,02 dB(A)	
Schalldruckpegel am Ohr des Bedieners L_{PA}	77,0 dB(A) K=3 dB(A)	
Gewährleisteter Schalleistungspegel L_{WA} (gemessen gemäß 2000/14/EC)	90 dB(A)	
Vibrationswert a_h	Vorderer Haltegriff	0,94 m/s ² K= 1,5 m/s ²
	Hinterer Griff	1,24 m/s ² K= 1,5 m/s ²

- Oben genannte Parameter wurden mit dem Kombimotor PH1400E getestet und gemessen.
- Der angegebene Vibrationsgesamtwert wurde nach einem Standard-Prüfverfahren gemessen und kann zum Vergleich mit einem anderen Werkzeug herangezogen werden.
- Der angegebene Vibrationsgesamtwert kann auch zur vorläufigen Risikobewertung herangezogen werden.

HINWEIS: Die beim Einsatz des Elektrowerkzeugs entstehenden Istvibrationen können von dem angegebenen Wert abweichen. Zum Schutz des Benutzers sollten Handschuhe und ein Gehörschutz während des Geräteinsatzes getragen werden.

PACKLISTE

TEILEBEZEICHNUNG	MENGE
Bodenfräseneinsatz	1
Schutzabdeckung (mit Schraube)	1
Inbusschlüssel	1
Bedienungsanleitung	1

BESCHREIBUNG

AUFBAU IHRER BODENFRÄSE (Abb. A)

1. Endkappe
2. Schaft des Bodenfräseneinsatzes
3. Getriebegehäuse
4. Hülle
5. Äußere Messer
6. Innere Messer
7. Steckbolzen
8. Schutzabdeckung
9. Inbusschlüssel

MONTAGE

⚠️ WARNUNG: Wenn Teile beschädigt sind oder fehlen, darf das Gerät erst in Betrieb genommen werden, wenn alle Teile vollständig angebracht sind. Die Verwendung des Geräts mit beschädigten oder fehlenden Teilen kann zu schweren Verletzungen führen.

⚠️ WARNUNG: Versuchen Sie nicht, dieses Produkt zu verändern oder Zubehörteile zu verwenden, die für den Einsatz mit dieser Bodenfräse nicht empfohlen werden. Derartige Änderungen oder Umbauten stellen einen unsachgemäßen Gebrauch dar und können zu gefährlichen Umständen und ernsthaften Verletzungen führen.

⚠️ WARNUNG: Tragen Sie immer dicke Handschuhe, wenn Sie das Messer installieren oder entfernen oder Wartungsarbeiten am Messer durchführen. Lassen Sie im Umgang mit dem Messer Vorsicht walten und schützen Sie Ihre Hände vor Verletzungen durch das Messer.

⚠️ WARNUNG: Verbinden Sie die Bodenfräse erst mit dem Kombimotor, wenn sie vollständig montiert ist. Die Nichtbeachtung dieser Anweisung kann zu ungewolltem Start und schweren Verletzungen führen.

MONTIEREN DER SCHUTZABDECKUNG

⚠️ WARNUNG: Installieren Sie die Schutzabdeckung, bevor Sie den Bodenfräseneinsatz mit dem Kombimotor verbinden.

1. Lockern Sie die Schraube an der Schutzabdeckung mit dem Inbusschlüssel und nehmen Sie sie heraus (Abb. B).
2. Heben Sie den Schaft des Bodenfräseneinsatzes an und entfernen Sie die Endkappe vom Schaft.

- Richten Sie den Schlitz in der Schutzabdeckung am Metallstreifen am Ende des Schafts aus, schieben Sie die Schutzabdeckung auf den Schaft, bis die Schraublöcher in der Abdeckung und im Metallstreifen übereinstimmen (Abb. C & D).
- Ziehen Sie die Schraube mit dem Inbusschlüssel im Uhrzeigersinn an, um die Schutzabdeckung sicher zu befestigen.

Teilebezeichnung der Abb. D:

D-1	Schraube
-----	----------

INSTALLATION DES BODENFRÄSENEINSATZES AM KOMBIMOTOR

⚠️ WARNUNG: Anbauwerkzeuge dürfen in keinem Fall bei laufendem Kombimotor oder mit eingesetztem Akku installiert oder eingestellt werden. Der Motor muss ausgeschaltet und der Akku abgenommen werden, da sonst die Gefahr schwerer Verletzungen besteht.

Dieser Bodenfräseinsatz ist zur Verwendung mit dem EGO Kombimotor PH1400E bestimmt.

- Schalten Sie den Motor aus und nehmen Sie den Akku ab.
- Lockern Sie die Knebelschraube an der Kupplung zum Kombimotor.
- Wenn die Endkappe auf dem Schaft des Einsatzes steckt, entfernen Sie diese und bewahren Sie sie an einem sicheren Ort für später auf.

Richten Sie den Pfeil am Schaft des Bodenfräseinsatzes am Pfeil auf der Kupplung aus (Abb. E) und schieben Sie den Schaft in die Kupplung, bis Sie ein Klicken hören (Abb. F).

Teilebezeichnung der Abb. E:

E-1	Schafffreigabetaste
E-2	Pfeil auf der Kupplung
E-3	Knebelschraube
E-4	Pfeil auf dem Schaft des Einsatzes
E-5	Rote Linie

Teilebezeichnung der Abb. F:

F-1	Rote Linie
-----	------------

- Ziehen Sie am Schaft des Einsatzes, um zu überprüfen, dass er sicher in der Kupplung eingerastet ist. Wenn nicht, drehen Sie den Schaft des Einsatzes in der Kupplung hin und her, bis ein deutliches Klicken anzeigt, dass er eingerastet ist.

- Ziehen Sie die Knebelschraube gut fest.

⚠️ WARNUNG: Vergewissern Sie sich vor dem Betrieb des Geräts, dass die Knebelschraube an der Kupplung gut festgezogen ist. Überprüfen Sie die Schraube während des Gebrauchs regelmäßig, um schweren Verletzungen vorzubeugen.

ABNEHMEN DES ANBAUWERKZEUGS VOM KOMBIMOTOR

- Schalten Sie den Motor aus und nehmen Sie den Akku ab.
- Lockern Sie die Knebelschraube.
- Halten Sie die Schafffreigabetaste gedrückt und ziehen oder drehen Sie den Schaft des Bodenfräseinsatzes aus der Kupplung, um den Einsatz vom Kombimotor zu lösen.

BEDIENUNG

⚠️ WARNUNG: Vermeiden Sie es, dass die Vertrautheit mit dem Produkt zu Nachlässigkeit führt. Denken Sie daran, dass ein kurzer Moment der Unachtsamkeit zu ernsthaften Verletzungen führen kann.

⚠️ WARNUNG: Tragen Sie immer einen Augenschutz und einen Gehörschutz. Andernfalls besteht die Gefahr, dass Gegenstände in Ihre Augen geschleudert oder andere schwere Verletzungen hervorgerufen werden.

⚠️ WARNUNG: Verwenden Sie keine Anbauwerkzeuge oder Zubehörteile, die nicht vom Hersteller dieses Produkts empfohlen worden sind. Die Verwendung von anderen nicht empfohlenen Anbauwerkzeugen oder Zubehörteilen kann zu schweren Verletzungen führen.

ANWENDUNGEN

Sie können dieses Produkt für den unten aufgeführten Zweck einsetzen:

- Lockererung von Gartenerde, um Beete für eine neue Bepflanzung vorzubereiten.
- Flaches Umgraben, um Unkräuter zu entfernen oder den Boden um Pflanzen herum zu lockern, damit Luft und Wasser tief in den Boden vordringen können.
- Kompost, Blätter oder anderen organischen Dünger oberflächlich in den Boden einarbeiten. Flaches umgraben lockert die oberste Bodenschicht und integriert die zusätzlichen Nährstoffe.
- In gelockertem Boden Furchen oder Gräben ziehen.

HINWEIS: Um Schäden an der Bodenfräse und an Bäumen zu vermeiden, achten Sie darauf, dass die Blätter nicht mit starken Baumwurzeln in Konflikt geraten. Graben Sie nicht zu tief um, da dies die flachen Wurzeln mancher Pflanzen schädigen kann.

VERWENDUNG DER BODENFRÄSE MIT DEM KOMBIMOTOR

⚠️ WARNUNG: Tragen Sie geeignete Kleidung, um das Verletzungsrisiko bei der Benutzung des Werkzeugs zu reduzieren. Tragen Sie keine weite Kleidung oder Schmuck. Tragen Sie Augenschutz. Tragen Sie Sicherheitsschuhe. Tragen Sie eine robuste lange Hose, Stiefel und Handschuhe. Tragen Sie keine kurze Hose oder Sandalen und gehen Sie nicht barfuß. Halten Sie die Bodenfräse mit einer Hand am hinteren Griff und mit der anderen Hand am vorderen Haltegriff.

Halten Sie das Werkzeug beim Betrieb mit beiden Händen gut fest. Die Bodenfräse ist in einer bequemen Position zu halten, der hintere Griff befindet sich dabei etwa in Hüfthöhe.

VERWENDUNG DER BODENFRÄSE MIT DEM KOMBIMOTOR

⚠️ WARNUNG: Tragen Sie geeignete Kleidung, um das Verletzungsrisiko bei der Benutzung des Werkzeugs zu reduzieren. Tragen Sie keine weite Kleidung oder Schmuck. Tragen Sie Augenschutz. Tragen Sie Sicherheitsschuhe. Tragen Sie eine robuste lange Hose, Stiefel und Handschuhe. Tragen Sie keine kurze Hose oder Sandalen und gehen Sie nicht barfuß.

Halten Sie die Bodenfräse mit einer Hand am hinteren Griff und mit der anderen Hand am vorderen Haltegriff.

Halten Sie das Werkzeug beim Betrieb mit beiden Händen gut fest. Die Bodenfräse ist in einer bequemen Position zu halten, der hintere Griff befindet sich dabei etwa in Hüfthöhe.

HINWEIS: Wenn Sie die Bodenfräse vorsichtig zu sich hinziehen, während sie den Boden umgräbt, erleichtert das Ihnen die Arbeit.

Weggeschleudertes Material kann den Benutzer oder Umstehende verletzen. Um die Verletzungsgefahr zu reduzieren, ist es wichtig, die folgenden Vorsichtsmaßnahmen zu befolgen:

- Untersuchen Sie den Arbeitsbereich und entfernen Sie alle verborgenen Fremdkörper wie Glas, Steine, Beton, Drahtzaun, Metallteile usw., die weggeschleudert werden oder mit den Messern in Konflikt geraten können. Vermeiden Sie den Kontakt mit harten Fremdkörpern.

- Kontrollieren Sie die Messer regelmäßig und häufig auf Anzeichen von Schäden, in jedem Fall nach dem Zusammenstoß mit einem harten Fremdkörper. Arbeiten Sie mit einem beschädigten Messer nicht weiter.
- Halten Sie die Gartenfräse immer mit beiden Händen, während Sie damit arbeiten. Halten Sie beide Griffe gut fest.
- Bringen Sie die Gartenfräse in den zu bearbeitenden Bereich, bevor Sie den Motor starten; beginnen Sie die Arbeit in langsamem Tempo.

Prüfen Sie vor jedem Gebrauch auf beschädigte und/oder abgenutzte Teile. Prüfen Sie die Messer, die Schutzabdeckung und den vorderen Haltegriff und ersetzen Sie gerissene, verzogene, verbogene oder anders beschädigte Teile.

Reinigen Sie die Bodenfräse nach jedem Gebrauch

START/STOPP DES WERKZEUGS

Siehe Abschnitt „START/STOPP DES KOMBIMOTORS“ in der Betriebsanleitung des Kombimotors PH1400E.

WARTUNG

⚠️ WARNUNG: Verwenden Sie für die Wartung nur identische Ersatzteile. Die Verwendung anderer Teile kann Unfälle und Schäden am Gerät hervorrufen. Um die Sicherheit und Zuverlässigkeit zu gewährleisten, sollten alle Reparaturen nur von qualifizierten Servicetechnikern durchgeführt werden.

⚠️ WARNUNG: Akkubetriebene Werkzeuge müssen nicht an eine Steckdose angeschlossen werden; sie sind daher immer einsatzbereit. Um schwere Verletzungen zu vermeiden, seien Sie beim Warten, Reparieren oder Auswechseln des Schneidaufsatzes oder anderer Aufsätze besonders vorsichtig und treffen Sie besondere Sicherheitsvorkehrungen.

⚠️ WARNUNG: Um schwerwiegende Personenschäden zu vermeiden, nehmen Sie den Akkusatz aus dem Kombimotor und warten Sie, bis alle Messer stehen, bevor Sie das Gerät warten, reinigen, beiseite legen oder Einsätze wechseln.

⚠️ WARNUNG: Tragen Sie immer dicke Handschuhe, wenn Sie das Messer installieren oder entfernen oder Wartungsarbeiten am Messer durchführen. Lassen Sie im Umgang mit dem Messer Vorsicht walten und schützen Sie Ihre Hände vor Verletzungen durch das Messer.

ALLGEMEINE WARTUNG

⚠️ WARNUNG: Achten Sie immer darauf, dass Bremsflüssigkeit, Benzin, Erzeugnisse auf Erdölbasis, durchdringende Öle usw. nicht mit den Kunststoffteilen in Kontakt kommen. Chemikalien können Kunststoffe angreifen, mechanisch schwächen oder zerstören, was zu schweren Verletzungen führen kann.

⚠️ WARNUNG: Wenn Sie die Bodenfräse reinigen, tauchen Sie diese NICHT in Wasser oder andere Flüssigkeiten. Reinigen Sie Ihr Gerät nicht mit einem Hochdruckreiniger. Der harte Wasserstrahl kann Teile des Geräts beschädigen.

- Achten Sie darauf, dass alle Schrauben, Muttern und Bolzen des Geräts gut festgezogen sind, um sichere Arbeitsvoraussetzungen zu gewährleisten.
- Um die Feuergefahr zu minimieren, halten Sie Motor, Schalldämpfer und Akkufach frei von pflanzlichem Material und überschüssigem Schmierstoff.
- Wechseln Sie abgenutzte oder beschädigte Teile aus Sicherheitsgründen aus.

WARTUNG DER MESSER

- Pflegen Sie die Messer regelmäßig mit Rostschutzöl.
- Wenn Messer aufgrund von Abnutzung ausgetauscht werden müssen, tauschen Sie alle vier Messer aus, um die beste Leistung zu erhalten.

Alle Wartungsarbeiten, die nicht ausdrücklich in dieser Wartungsanleitung aufgeführt sind, sollten von autorisiertem Kundendienstpersonal durchgeführt werden.

Ersetzen

Die Bodenfräse hat vier Messer - zwei äußere und zwei innere Messer. Für einen korrekten Betrieb der Bodenfräse müssen die Messer in der richtigen Richtung montiert werden. Die Zeichen L und R sind auf den Messern angebracht (Abb. H & I).

Teilebezeichnung der Abb. H & I:

H-1	Antriebsschaft	H-7	Steckbolzen
H-2	Innere Hülle	I-1	Steckbolzen
H-3	Äußere Hülle	I-2	Äußeres Messer mit Zeichen R
H-4	Zeichen L	I-3	Inneres Messer mit Zeichen R
H-5	Inneres Messer mit Zeichen L	I-4	Zeichen R
H-6	Äußeres Messer mit Zeichen L		

HINWEIS: HINWEIS: MESSER MIT ZINKEN IN BEIDE RICHTUNGENMÜSSEN INNEN, DICHT AM GETRIEBEGEHÄUSE MONTIERT WERDEN.

1. Ziehen Sie Handschuhe an.
2. Platzieren Sie das innere Messer mit dem Zeichen L, das Zinken in beide Richtungen hat, links neben das Getriebegehäuse.
3. Platzieren Sie das äußere Messer mit dem Zeichen L (Zinken nur in eine Richtung) auf derselben Seite, die äußere Hülle am inneren Messer.
4. Um das Messer am Antriebsschaft zu befestigen, stecken Sie den Steckbolzen in das Loch 1. Siehe Abb. J, K, L, und N.
5. Drehen Sie das Gerät um, sodass die installierten Messer am Boden liegen.
6. Platzieren Sie das innere Messer mit dem Zeichen R, das Zinken in beide Richtungen hat, rechts neben das Getriebegehäuse.
7. Platzieren Sie das äußere Messer mit dem Zeichen R (Zinken nur in eine Richtung) auf derselben Seite, die äußere Hülle am inneren Messer.
8. Um das Messer am Antriebsschaft zu befestigen, stecken Sie den Steckbolzen in das Loch 1 und drehen Sie den Steckbolzen um 90°. Siehe Abb. J, K, L, und N.

⚠️ WARNUNG: Das Gerät arbeitet nicht richtig oder kann zur Gefahr für den Bediener oder Personen in der Nähe werden, wenn die Messer nicht korrekt installiert sind. Wenn Ihnen ein Problem bei der Arbeit mit der Bodenfräse auffällt, kontrollieren Sie die Position der Messer.

DIE MESSER MIT ZINKEN IN BEIDE RICHTUNGEN MÜSSEN INNEN, DICHT AM GETRIEBEGEHÄUSE MONTIERT WERDEN.

Einstellen

Wenn auf einer schmalen Fläche oder zwischen Reihen gearbeitet wird, kann die Bodenfräse nur mit den inneren Messern betrieben werden.

Ziehen Sie Handschuhe an und entfernen Sie die beiden Steckbolzen, um die äußeren Messer abzunehmen (Abb. M), stecken Sie dann die Steckbolzen in Loch 2 (Abb. N & O).

Teilebezeichnung der Abb. N:

N-1	Loch 1
N-2	Loch 2

HINWEIS: Drücken Sie die Messer nicht mit Gewalt auf den Antriebsschaft bzw. wieder herunter. Wenn Sie beim Entfernen der Messer Schwierigkeiten haben, geben Sie penetrierendes Schmieröl auf den Schaft. Wenn Sie die Messer wieder anbringen, denken Sie daran, den Antriebsschaft und die Messer zu reinigen und einzuölen.

REINIGUNG DES GERÄTES

Pflanzenteile wie Wurzeln können sich bei der Arbeit fest um die rotierenden Messer wickeln. Zum Reinigen der rotierenden Messer:

- Entfernen Sie den Akku.
- Ziehen Sie Handschuhe an. Entfernen Sie Wurzelstücke, Erdklumpen und Pflanzenteile von den Messern, der Schutzabdeckung und dem Getriebegehäuse. Für eine gründliche Reinigung entfernen Sie die Messer und die Schutzabdeckung und spülen Sie sie gründlich ab. Eine genaue Anleitung zum Ersetzen von Teilen finden Sie weiter oben unter

MESSER ERSETZEN ODER EINSTELLEN.

- Wischen Sie die Oberfläche des Werkzeugs mit einem sauberen Tuch ab, das Sie mit einer milden Seifenlösung anfeuchten.

AUFBEWAHREN DES GERÄTES

- Nehmen Sie den Akku aus dem Werkzeug.
- Trennen Sie den Bodenfräseneinsatz vom Kombimotor und ziehen Sie die Endkappe auf den Schaft, damit kein Schmutz in die Kupplung gerät.
- Lagern Sie das Gerät an einem trockenen, gut belüfteten Ort, der für Kinder unerschbar ist. Lagern Sie das Gerät nicht auf oder neben Düngemitteln, Benzin oder anderen Chemikalien.

Schützen Sie die Umwelt



Elektrogeräte, Ladegeräte und Batterien/Akkus dürfen nicht im Hausmüll entsorgt werden! Im Einklang mit der europäischen Richtlinie 2012/19/EG müssen elektrische und elektronische Altgeräte separat gesammelt werden. Dasselbe gilt auch für defekte oder verbrauchte Akkus/Batterien nach der europäischen Richtlinie 2006/66/EG. Wenn elektrische Geräte auf Deponien oder Schutthalde entsorgt werden, dann können gefährliche Stoffe in das Grundwasser sickern und in die Nahrungskette gelangen. Dadurch werden Ihre Gesundheit und Ihr Wohlbefinden beeinträchtigt.

FEHLERBEHEBUNG

DE

PROBLEM	URSACHE	LÖSUNG
Bodenfräse startet nicht.	<ul style="list-style-type: none"> ■ Der Akku ist nicht richtig am Kombimotor angebracht. ■ Kein elektrischer Kontakt zwischen Kombimotor und Akku. ■ Der Akku ist leer. ■ Der Hebel zum Entriegeln und der Auslöser wurden nicht gleichzeitig gedrückt. 	<ul style="list-style-type: none"> ■ Akku in den Kombimotor einsetzen. ■ Akku herausnehmen, Kontakte überprüfen und wieder anschließen, sodass der Akku einrastet. ■ Akku mit den in dieser Anleitung aufgeführten EGO-Ladegeräten aufladen. ■ Hebel zum Entriegeln gedrückt halten und dann den Auslöser drücken, um das Werkzeug einzuschalten.
Bodenfräse stoppt während des Betriebs.	<ul style="list-style-type: none"> ■ Der Motor ist überlastet. ■ Der Akku ist zu heiß. ■ Die Messer sind blockiert. ■ Der Akku ist nicht mit dem Werkzeug verbunden. ■ Der Akku ist leer. 	<ul style="list-style-type: none"> ■ Der Motor kommt wieder in Schwung, wenn die Last abgenommen wird. Um längere Zeit zu arbeiten, reduzieren Sie die Last auf der Bodenfräse und graben Sie nicht zu tief um; arbeiten Sie stattdessen mit unterschiedlichen Tiefen. ■ Lassen Sie den Akku und den Kombimotor unter 67° C abkühlen. ■ Nehmen Sie den Akku aus dem Kombimotor, drehen Sie die Messer von Hand hin und her, um Steine oder andere Hindernisse zwischen den Messern oder zwischen Messer und Getriebegehäuse zu entfernen. ■ Setzen Sie den Akku wieder ein. ■ Akku mit den in dieser Anleitung aufgeführten EGO-Ladegeräten aufladen.

GARANTIE

EGO GEWÄHRLEISTUNGSRICHTLINIE

Bitte besuchen Sie unsere website egopowerplus.com mit den kompletten EGO Garantiebedingungen.

LISEZ TOUTES LES INSTRUCTIONS !

FR



LISEZ ET COMPRENEZ LES INSTRUCTIONS DU MANUEL D'UTILISATION

⚠ Risques résiduels! Les personnes portant des appareils électroniques, par exemple des stimulateurs cardiaques, doivent consulter leur(s) médecin(s) avant d'utiliser ce produit. L'utilisation d'un équipement électrique près d'un stimulateur cardiaque peut provoquer des interférences ou la panne du stimulateur cardiaque.

⚠ AVERTISSEMENT: Pour garantir la sécurité et la fiabilité, toutes les réparations et tous les changements de pièce doivent être effectués par un réparateur qualifié.

SYMBOLES DE SÉCURITÉ

L'objectif des symboles de sécurité est d'attirer votre attention sur des dangers potentiels. Les symboles de sécurité et les explications les accompagnant doivent être lus avec attention et compris. Les symboles de mise en garde ne permettent pas par eux-mêmes d'éliminer les dangers. Les consignes et mises en garde ne se substituent pas à des mesures de prévention appropriées des accidents.

⚠ AVERTISSEMENT: Lisez et comprenez impérativement toutes les consignes de sécurité de ce manuel d'utilisation, y compris les symboles de mise en garde de sécurité tels que « **DANGER** », « **AVERTISSEMENT** » et « **ATTENTION** » avant d'utiliser cet outil. Ne pas respecter toutes les consignes listées ci-après peut provoquer un choc électrique, un incendie et/ou des blessures corporelles graves.

SIGNIFICATION DES SYMBOLES

⚠ Symbole de mise en garde de sécurité : Indique un **DANGER**, un **AVERTISSEMENT** ou une **PRÉCAUTION**. Peut être utilisé en conjonction avec d'autres symboles ou pictogrammes.



⚠ AVERTISSEMENT: L'utilisation d'un outil électrique peut provoquer la projection d'objets étrangers dans vos yeux et entraîner des lésions oculaires graves. Avant de commencer à utiliser l'outil électrique, portez toujours un masque de sécurité ou des lunettes de sécurité avec boucliers latéraux, et un masque facial intégral quand cela est nécessaire. Nous vous recommandons de porter un Masque de Sécurité à Vision Panoramique par-dessus des lunettes de vue ou des lunettes de sécurité standards avec boucliers latéraux.

CONSIGNES DE SÉCURITÉ

Cette page décrit des symboles de sécurité pouvant être présents sur le produit. Lisez, comprenez et respectez toutes les instructions présentes sur l'outil avant d'essayer de l'assembler et de l'utiliser.

	Alerte de sécurité	Indique un danger potentiel de blessure corporelle.
	Lire et comprendre le manuel d'utilisation	Pour réduire le risque de blessures, l'utilisateur doit lire et comprendre le manuel d'utilisation avant d'utiliser ce produit.
	Porter une protection auditive.	Toujours porter une protection auditive pendant l'utilisation de ce produit.
	Porter une protection oculaire	Toujours porter un masque de sécurité ou des lunettes de sécurité avec boucliers latéraux lors de l'utilisation de ce produit.
	Porter des gants protecteurs.	Protéger vos mains avec des gants pendant la manipulation des lames. Les gants antidérapants pour travaux lourds améliorent votre préhension et protègent vos mains.
	Porter des chaussures de sécurité.	Porter des chaussures antidérapantes de sécurité pendant l'utilisation de cet équipement.

	Ricochet	Des objets projetés peuvent ricocher et provoquer des blessures corporelles ou des dommages matériels.
	Éloigner vos pieds	Pour réduire le risque de blessures par coupure, maintenir les pieds éloignés des lames rotatives.
	Maintenir les Autres Personnes Éloignées	Tenez les passants à distance sûre
	CE	Ce produit est conforme aux directives CE applicables.
	WEEE	Les déchets de produits électriques ne doit pas être jetés avec les ordures ménagères. Jetez-les dans un dans un centre de triage agréé.
	Bruit	Niveau de puissance acoustique garanti.
	Ne pas exposer à la pluie	Construction à double isolation.
IPX4	Symbole IP	Protection contre la pénétration d'eau de degré 4
V	Volt	Tension
mm	Millimètre	Longueur ou taille
kg	Kilogramme	Poids

CONSIGNES DE SÉCURITÉ GÉNÉRALES POUR LES OUTILS ÉLECTRIQUES

⚠ AVERTISSEMENT Lisez toutes les consignes de sécurité, les instructions, les illustrations et les spécifications de sécurité fournies avec cet outil électrique. Le non-respect de l'ensemble des consignes listées ci-après est susceptible d'entraîner un risque de choc électrique, d'incendie et/ou de blessures graves.

Conservez tous les avertissements et toutes les instructions afin de pouvoir les consulter ultérieurement.

SÉCURITÉ DE L'AIRE DE TRAVAIL

- **Maintenez l'aire de travail propre et bien rangée.** Les aires de travail en désordre ou mal éclairées augmentent les risques d'accident.
- **N'utilisez pas les outils électriques dans des atmosphères explosives, par exemple en présence de liquides, gaz ou poussières inflammables.** Les outils électriques génèrent des étincelles pouvant enflammer les poussières et les vapeurs.
- **Veillez à ce que les enfants et les autres personnes restent éloignés quand vous utilisez un outil électrique.** Un moment d'inattention peut vous faire perdre le contrôle de l'outil.

SÉCURITÉ ÉLECTRIQUE

- **N'exposez pas les outils électriques à la pluie ou à un environnement mouillé.** Si de l'eau pénètre dans un outil électrique, cela accroît le risque de choc électrique.

SÉCURITÉ DES PERSONNES

- **Restez vigilant, soyez attentif à ce que vous faites et faites preuve de bon sens lors de l'utilisation d'un outil électrique. N'utilisez pas d'outil électrique si vous êtes fatigué ou sous l'influence de drogues, d'alcool ou de médicaments.** Un moment d'inattention pendant l'utilisation d'un outil électrique peut provoquer des blessures corporelles graves.
- **Utilisez toujours des équipements de protection individuelle.** Des équipements de protection individuelle, par exemple une protection oculaire, un masque antipoussière, des chaussures de sécurité antidérapantes, un casque et/ou une protection auditive utilisés pour des conditions appropriées, réduiront les blessures corporelles.
- **Évitez les démarrages accidentels. Vérifiez que l'interrupteur marche/arrêt est dans la position arrêt avant de connecter la batterie et/ou de saisir l'outil ou de le porter.** Transporter un outil électrique les doigts sur son interrupteur marche/arrêt ou le brancher dans une alimentation électrique alors que son interrupteur marche/arrêt est dans la position marche favorise les accidents.
- **Retirez toutes les clés de réglage et de serrage avant de mettre l'outil électrique en marche.** Une clé de réglage ou de serrage laissée sur une pièce mobile de l'outil électrique pourrait entraîner des blessures corporelles.

- **N'essayez pas d'atteindre des endroits difficiles à atteindre. Ayez toujours des appuis des pieds solides et conservez constamment un bon équilibre.** Cela vous garantit un meilleur contrôle de l'outil électrique en cas de situations inattendues.
- **Portez une tenue adaptée. Ne portez pas de vêtements amples ni de bijoux. Maintenez vos cheveux et vos vêtements éloignés des pièces mobiles.** Les vêtements amples, les bijoux et les cheveux longs peuvent se prendre dans les pièces mobiles.
- **Si un outil est conçu pour être utilisé avec des dispositifs d'extraction et de récupération des poussières, veillez à ce que ces dispositifs soient raccordés et correctement utilisés.** L'utilisation de dispositifs de récupération des poussières permet de réduire les risques liés aux poussières.
- **Veillez à ne pas devenir trop sûr de vous et à ne pas vous mettre à ne plus respecter les principes de sécurité à cause de la familiarité acquise par les utilisations fréquentes des outils.** La négligence peut provoquer des blessures graves en une fraction de seconde.

UTILISATION ET ENTRETIEN DES OUTILS ÉLECTRIQUES

- **Ne forcez pas l'outil électrique. Utilisez l'outil électrique adapté au travail à effectuer.** L'outil électrique adéquat vous permettra de mieux accomplir le travail avec plus de sécurité et au rythme pour lequel il a été conçu.
- **N'utilisez pas un outil électrique si son interrupteur marche/arrêt ne permet plus de l'allumer ou de l'éteindre.** Tout outil électrique qui ne peut pas être contrôlé par son interrupteur marche/arrêt est dangereux et doit être réparé.
- **Retirez la batterie de l'outil électrique, si elle est amovible, et/ou activez tout dispositif de désactivation de la batterie avant de retirer de la matière coincée, de faire un réglage, de changer un accessoire, de nettoyer ou de ranger les outils électriques.** Cette mesure de sécurité préventive réduit le risque de démarrage accidentel de l'outil électrique.
- **Rangez les outils électriques non utilisés hors de portée des enfants. Ne laissez aucune personne non familiarisée avec l'outil électrique ou ce manuel d'utilisation l'utiliser.** Les outils électriques sont dangereux dans les mains de personnes inexpérimentées.
- **Entretenez les outils électriques et les accessoires. Inspectez-les pour vérifier qu'aucune pièce mobile n'est grippée ou mal alignée, qu'aucune pièce**

n'est cassée, et pour tout autre problème pouvant affecter leur fonctionnement. Si un outil électrique est endommagé, il doit être réparé avant d'être réutilisé. De nombreux accidents sont dus à des outils électriques et des accessoires mal entretenus.

- **Veillez à ce que les accessoires de coupe restent affûtés et propres.** Des outils de découpe aux lames affûtées risquent moins de s'accrocher et sont plus faciles à contrôler.
- **Utilisez l'outil électrique, les accessoires, les mèches, etc. conformément à ces instructions, en tenant compte des conditions de travail et de la tâche à accomplir.** Utiliser l'outil électrique à d'autres finalités que celles pour lesquelles il a été conçu peut engendrer des situations dangereuses.
- **Maintenez les poignées et surfaces de préhension propres, sèches et exemptes d'huile et de graisse.** Des poignées et surfaces de préhension glissantes peuvent entraîner une manipulation dangereuse et/ou une perte de contrôle de l'outil.
- **Maintenez les câbles/cordons électriques éloignés de la zone de travail de l'outil.** Pendant l'utilisation, les câbles/cordons électriques peuvent être cachés de votre vue et être accidentellement endommagés par l'outil.

UTILISATION ET ENTRETIEN DES OUTILS ALIMENTÉS PAR BATTERIE

- **La batterie ne doit être rechargée qu'avec le chargeur spécifié par le fabricant.** Un chargeur adapté à un type de batterie peut présenter un risque d'incendie s'il est utilisé avec une batterie différente.
- **Utilisez les outils électriques exclusivement avec les batteries spécifiées.** L'utilisation de toute autre batterie peut créer un risque de blessures et d'incendie.
- **Quand la batterie n'est pas utilisée, elle doit être rangée loin de tout objet métallique, tel que trombone, pièce de monnaie, clé, clou, vis et tout autre petit objet métallique qui risquerait de mettre en contact ses bornes.** Court-circuiter les bornes de la batterie peut provoquer des brûlures et un incendie.
- **Si la batterie est soumise à des conditions d'utilisation excessives, du liquide peut s'en échapper. Évitez tout contact avec ce liquide. En cas de contact accidentel, rincez à grande eau. En cas de contact avec les yeux, vous devez en outre consulter un médecin.** Le liquide qui s'échappe de la batterie peut provoquer des irritations et des brûlures.
- **N'utilisez pas une batterie ou un outil endommagé ou modifié.** Les batteries modifiées ou endommagées peuvent avoir un comportement imprévisible provoquant un incendie, une explosion ou un risque de blessure.

- **N'exposez pas la batterie ou l'outil à des flammes ou à une température excessive.** L'exposition au feu ou à des températures supérieures à 130 °C peut provoquer une explosion.
- **Respectez toutes les instructions de recharge et ne rechargez pas la batterie ou l'outil hors de la plage de température spécifiée dans les instructions.** La recharge incorrecte ou à des températures hors de la plage spécifiée peut endommager la batterie et accroître le risque d'incendie.

CONSIGNES DE SECURITE COMPLEMENTAIRES

APPRENTISSAGE

- Lisez attentivement le manuel d'utilisation. Familiarisez-vous avec les commandes et l'utilisation correcte de l'appareil.
- Ne laissez jamais des personnes non familiarisées avec ce manuel d'utilisation ou des enfants utiliser l'outil. Les réglementations locales définissent parfois une limite d'âge pour l'opérateur.
- N'utilisez jamais l'outil si des personnes, notamment des enfants ou des animaux de compagnies sont à proximité.
- Nous vous rappelons que l'opérateur ou l'utilisateur est responsable en cas d'accidents ou de dangers impliquant d'autres personnes ou leurs biens.

PRÉPARATION

- Portez toujours un pantalon long et des chaussures protectrices lorsque vous travaillez avec l'outil. N'utilisez pas l'outil pieds nus ou en portant des sandales ouvertes.
- Inspectez minutieusement la zone où l'outil doit être utilisé et enlevez tout ce qui pourrait être projeté par l'outil.
- Avant utilisation, inspectez toujours l'outil visuellement pour détecter tout signe d'usure ou de dégât. Afin de préserver l'équilibre de l'outil, remplacez toujours les pièces usées ou endommagées et les vis par ensembles complets.

UTILISATION

- Ne faites pas tourner le moteur dans des espaces confinés où des émanations de monoxyde de carbone pourraient s'accumuler dangereusement.
- Travaillez exclusivement à la lumière du jour ou sous une lumière artificielle suffisante.
- Ayez toujours des appuis des pieds sûrs sur les pentes.
- Utilisez l'appareil en marchant, jamais en courant.

- Si vous utilisez une machine rotative sur roues, travaillez toujours perpendiculairement à la pente, jamais dans le sens de pente que ce soit vers le haut ou vers le bas.
- Soyez extrêmement vigilant(e) quand vous changez de direction sur une pente.
- N'utilisez pas l'outil sur des pentes trop raides.
- Faites extrêmement attention quand vous faites demi-tour ou que vous tirez la machine vers vous.
- Ne modifiez pas le réglage du régulateur de vitesse du moteur et ne faites pas tourner le moteur en sursrégime.
- Démarrez le moteur avec précaution en suivant les consignes données par le fabricant et en maintenant vos pieds à l'écart de l'outil.
- Ne placez jamais vos mains ou vos pieds à proximité ou en-dessous des parties rotatives.
- Ne soulevez jamais et ne portez jamais un appareil dont le moteur est en marche.
- Utilisez exclusivement les batteries et les chargeurs listés à la fig. A.

UTILISATION SUR UNE PENTE :

Les blessures graves causées par des chutes par glissade se produisent souvent dans des pentes. Sur les pentes, soyez toujours sûr(e) de vos appuis. Les travaux effectués sur un terrain en pente exigent des précautions supplémentaires. Si vous ne vous sentez pas à l'aise sur une pente, n'utilisez pas l'outil dessus.

- Observez le sol pour éviter les trous, les ornières, les pierres, les objets cachés et les bosses, car ils peuvent vous faire glisser ou trébucher. Des herbes hautes peuvent dissimuler des obstacles.

RÉPARATION

- **Faites réparer votre outil électrique par un réparateur qualifié qui ne doit utiliser que des pièces de rechange identiques.** Cela permet de préserver la sécurité d'utilisation de l'outil.
- **Ne faites jamais réparer une batterie endommagée.** La réparation des batteries doit toujours être effectuée par le fabricant ou des réparateurs agréés.

⚠ AVERTISSEMENT: Lisez toutes les consignes de sécurité, les instructions, les illustrations et les spécifications de sécurité fournies avec cet outil électrique. Le non-respect de l'ensemble des consignes listées ci-après est susceptible d'entraîner un risque de choc électrique, d'incendie et/ou de blessures graves. Conservez toutes les consignes de sécurité et toutes les instructions pour consultation ultérieure.

SPÉCIFICATIONS

FR

Largeur de labourage	240 mm	
Profondeur de labourage	215 mm	
Taille de lame	215 mm	
Température d'utilisation	0°C-40°C	
Température de stockage	-20°C-70°C	
Poids (avec le capot)	3,9 kg	
Niveau de puissance acoustique mesuré L_{WA}	87,6 dB(A) K=2,02 dB(A)	
Pression acoustique au niveau des oreilles de l'opérateur L_{PA}	77,0 dB(A) K=3 dB(A)	
Niveau de puissance acoustique garanti L_{WA} (mesuré selon 2000/14/EC)	90 dB(A)	
Niveau de vibrations a_h	Poignée auxiliaire avant	0,94 m/s ² K= 1,5 m/s ²
	Poignée arrière	1,24 m/s ² K= 1,5 m/s ²

- Les paramètres ci-dessus ont été testés et mesurés avec le bloc-moteur PH1400E.
- La valeur totale des vibrations déclarée a été mesurée selon une méthode de test standardisée et peut servir pour comparer différents outils.
- La valeur totale des vibrations déclarée peut également servir pour effectuer une évaluation préliminaire de l'exposition.

REMARQUE : Le niveau de vibrations lors de l'utilisation réelle de l'outil peut être différent de la valeur déclarée totale en fonction de la manière dont l'outil est utilisé ; Afin de protéger l'opérateur, l'utilisateur doit porter des gants et des protecteurs d'oreilles en conditions réelles d'utilisation.

CONTENU DE L'EMBALLAGE

NOM DE PIÈCE	QUANTITÉ
Extension cultivateur	1
Capot (avec vis)	1
Clé pour vis à six pans creux	1

DESCRIPTION

DESCRIPTION DE VOTRE CULTIVATEUR (image A)

- Capuchon d'extrémité
- Manche de l'extension cultivateur
- Boîte de vitesses
- Manchon
- Lames extérieures
- Lames intérieures
- Broche d'attelage
- Capot de protection
- Clé pour vis à six pans creux

ASSEMBLAGE

AVERTISSEMENT : Si une pièce est manquante ou endommagée, n'utilisez pas cet outil tant qu'elle n'a pas été remplacée. Utiliser cet outil avec des pièces endommagées ou manquantes peut provoquer des blessures corporelles graves.

AVERTISSEMENT : N'essayez pas de modifier ce produit ni de créer des accessoires non recommandés pour être utilisés avec ce produit. De tels modifications et changements constituent un usage impropre et peuvent engendrer des situations dangereuses pouvant provoquer des blessures corporelles graves.

AVERTISSEMENT : Portez toujours des gants épais pendant l'assemblage et le démontage de la lame et pendant toutes les opérations de maintenance de la lame. Prenez garde à la lame et protégez vos mains des blessures dues à la lame.

AVERTISSEMENT : Ne raccordez pas le cultivateur au bloc-moteur tant que l'assemblage n'est pas terminé. Le non-respect de cette consigne peut entraîner un démarrage accidentel et potentiellement causer des blessures corporelles graves.

ASSEMBLER LE CAPOT DE PROTECTION

AVERTISSEMENT : Installez le capot avec que l'extension cultivateur ne soit connecté au bloc-moteur.

- Desserrez et retirez la vis du capot avec la clé pour vis à six pans creux (image B).
- Soulevez le manche de l'extension cultivateur et retirez le capuchon d'extrémité du manche.

- Alignez la fente du capot avec l'embout métallique à l'extrémité du manche, passez le capot à travers le manche jusqu'à ce que les trous de vis du capot et de l'embout métallique soient alignés (image C & D).
- Utilisez la clé pour vis à six pans creux pour serrer la vis dans le sens des aiguilles d'une montre et bloquer le capot.

Image D - Description des pièces ci-dessous :

D-1	Vis
-----	-----

ASSEMBLER L'EXTENSION CULTIVATEUR SUR LE BLOC-MOTEUR

⚠ AVERTISSEMENT : N'assemblez jamais et ne réglez jamais aucun accessoire quand la tête alimentée est en fonctionnement ou quand la batterie est insérée. Ne pas éteindre le moteur et ne pas retirer la batterie peut provoquer des blessures corporelles graves.

Cette extension cultivateur est conçue pour être utilisée avec le bloc-moteur EGO PH1400E.

- Éteignez le moteur et retirez la batterie.
- Desserrez le bouton à oreilles sur le coupleur du bloc-moteur.
- Si le capuchon d'extrémité se trouve sur le manche, retirez-le et conservez-le dans un endroit sûr pour une utilisation ultérieure.

Alignez la flèche sur le manche du cultivateur avec la flèche sur le coupleur (image E) et poussez le manche du cultivateur dans le coupleur jusqu'à entendre distinctement un « CLIC » (image F).

Image E - Description des pièces ci-dessous :

E-1	Bouton de déverrouillage du manche
E-2	Flèche sur le coupleur
E-3	Bouton à oreilles
E-4	Flèche sur le manche
E-5	Ligne rouge

Image F Description des pièces ci-dessous :

F-1	Ligne rouge
-----	-------------

- Tirez légèrement sur le manche pour vérifier qu'il est correctement bloqué dans le coupleur. Si tel n'est pas le cas, faites tourner le manche d'avant en arrière dans le coupleur jusqu'à ce qu'un « CLIC » audible indique que le manche est bien mis en place.
- Resserrez le bouton à oreilles fermement.

⚠ AVERTISSEMENT : Veillez à ce que le bouton à oreilles soit entièrement resserré avant d'utiliser l'outil ; vérifiez régulièrement qu'il est bien serré durant l'utilisation pour éviter tout risque de blessures graves.

RETIRER L'ACCESSOIRE DE L'ENSEMBLE MOTEUR

- Éteignez le moteur et retirez la batterie.
- Desserrez le bouton à oreilles.
- En maintenant le bouton de déverrouillage du manche enfoncé, tirez ou tournez le manche hors du coupleur pour le retirer du bloc-moteur.

UTILISATION

⚠ AVERTISSEMENT : Veillez à ne pas devenir moins prudent au fur et à mesure que vous vous familiarisez avec cet outil. Gardez à l'esprit qu'une seconde d'inattention peut suffire pour provoquer des blessures graves.

⚠ AVERTISSEMENT : Portez toujours une protection oculaire et une protection auditive. Sans protection, des objets peuvent être projetés dans vos yeux et d'autres blessures graves peuvent se produire.

⚠ AVERTISSEMENT : N'utilisez aucun accessoire ou pièce non recommandé par le fabricant de ce produit. L'utilisation d'accessoires ou de pièces non recommandés peut provoquer de graves blessures corporelles.

APPLICATIONS

Vous pouvez utiliser cet outil pour les usages listés ci-dessous :

- Travailler la terre pour préparer la couche de semis.
- Sarclage superficiel pour déraciner des mauvaises herbes ou binage pour ameublir le sol autour des plantes et faciliter la pénétration profonde d'air ou d'eau dans le sol.
- Apport de compost, feuilles ou autres fertilisants naturels. Le sarclage permet d'aérer la couche supérieure du sol et d'intégrer les nutriments supplémentaires.
- Creuser une tranchée ou un sillon dans un sol meuble.

REMARQUE : Pour éviter d'endommager le cultivateur ou les arbres, veillez à ce que les lames ne se prennent pas dans des racines d'arbres. Évitez de labourer trop profondément car cela pourrait endommager les racines superficielles de certaines plantes.

UTILISER L'EXTENSION CULTIVATEUR AVEC LE BLOC-MOTEUR

FR

⚠ AVERTISSEMENT : Quand vous utilisez cet outil, portez une tenue appropriée pour réduire le risque de blessures. Ne portez pas de vêtement ample ni de bijou. Portez une protection oculaire. Portez des chaussures de sécurité. Portez un pantalon long et épais, des chaussures montantes et des gants. Ne portez pas de shorts ni de sandales et ne soyez pas pieds nus. Tenez toujours le cultivateur avec une main sur la poignée arrière et l'autre main sur la poignée auxiliaire avant. Tenez toujours fermement l'outil à deux mains pendant l'utilisation. Le cultivateur doit être tenu dans une position confortable avec sa poignée arrière à peu près à la hauteur de la hanche de l'opérateur.

Tenez l'outil fermement et maintenez un excellent équilibre sur vos deux pieds (image G).

Vous pouvez travailler en déplaçant le cultivateur en avant ou en arrière, de la gauche vers la droite, de la droite vers la gauche ou en effectuant un mouvement circulaire. Choisissez la méthode la mieux adaptée à votre tâche, celle-ci dépendra de la forme et de la taille de la zone à labourer ainsi que des conditions du sol.

Se déplacer dans un mouvement avant-arrière de va-et-vient est particulièrement adapté pour ameublir un sol compacté.

Pour creuser une tranchée ou un sillon, marchez lentement en arrière et tirez sur le cultivateur pour créer le sillon. Répétez si nécessaire pour obtenir des sillons plus profonds.

REMARQUE : Tirer le cultivateur vers vous avec précaution lorsqu'il creuse dans le sol permet de réduire vos efforts et de faciliter le labourage.

Les morceaux projetés peuvent gravement blesser l'opérateur ou les personnes situées à proximité. Pour réduire le risque de blessures corporelles, il est essentiel de prendre les précautions suivantes :

- Inspectez la zone à labourer et retirez-en tout objet dissimulé tel que du verre, des pierres, du béton, du grillage, des morceaux de métal, etc. qui pourraient être projetés ou rester accrochés dans les lames. Évitez d'entrer en contact avec des objets étrangers solides.
- Vérifiez régulièrement les lames pour voir si elles présentent des signes de dommages et contrôlez leur état après un choc avec un objet dur. Ne continuez pas à travailler avec une lame endommagée.

- Tenez toujours le cultivateur avec vos deux mains lors de l'utilisation. Tenez fermement les deux poignées.
- Déplacez le cultivateur vers la zone de travail avant de commencer à travailler et démarrez le cultivateur à une vitesse réduite.

Avant chaque utilisation, inspectez l'outil pour vérifier qu'aucune de ses pièces n'est endommagée/usée. Inspectez les lames, le capot de protection et la poignée auxiliaire avant et remplacez toutes les pièces fissurées, voilées, tordues ou présentant une autre détérioration.

Nettoyez le cultivateur après chaque utilisation.

ALLUMER/ÉTEINDRE L'OUTIL

Consultez la partie « ALLUMER/ÉTEINDRE LE BLOC-MOTEUR » du manuel d'utilisation du bloc-moteur PH1400E.

ENTRETIEN

⚠ AVERTISSEMENT : L'outil ne doit être réparé qu'avec des pièces de rechange identiques. L'utilisation de toute autre pièce peut créer un danger ou détériorer l'outil. Pour garantir la sécurité et la fiabilité, toutes les réparations doivent être effectuées par un réparateur qualifié.

⚠ AVERTISSEMENT : Les outils alimentés par batterie n'ont pas à être branchés dans une prise électrique, ils sont donc toujours prêts à fonctionner. Pour éviter des blessures corporelles graves, faites extrêmement attention lors de l'entretien, de la réparation de l'outil ou du changement de l'accessoire de coupe ou d'autres accessoires.

⚠ AVERTISSEMENT : Pour éviter le risque de blessures graves, retirez la batterie du bloc-moteur et patientez jusqu'à l'arrêt de toutes les lames avant de procéder à l'entretien, au nettoyage, au changement d'un accessoire ou lorsque vous n'utilisez pas le produit.

⚠ AVERTISSEMENT : Portez toujours des gants épais pendant l'assemblage et le démontage de la lame, et pendant toutes les opérations de maintenance de la lame. Prenez garde à la lame et protégez vos mains des blessures dues à la lame.

ENTRETIEN GÉNÉRAL

⚠ AVERTISSEMENT : Veillez à ce que les pièces en plastique de l'outil n'entrent jamais en contact avec du liquide de frein, de l'essence, des produits à base de pétrole, du dégrissant, etc. Les produits chimiques peuvent endommager, fragiliser ou détruire les pièces en plastique, ce qui pourrait entraîner des blessures corporelles graves.

⚠ AVERTISSEMENT : Lors du nettoyage du cultivateur, NE L'IMMERGEZ PAS dans de l'eau ni dans aucun autre liquide. Ne nettoyez pas la machine avec un nettoyeur à haute pression. Le jet d'eau puissant pourrait endommager certaines de ses pièces.

- Veillez au maintien serré de tous les écrous, boulons et vis pour vous assurer un travail en toute sécurité.
- Pour réduire le risque d'incendie, veillez à ce que le moteur, le silencieux et le compartiment de la batterie soient exempts de matières végétales et de graisse en quantité excessive.
- Pour des raisons de sécurité, les pièces usées ou endommagées doivent être remplacées.

ENTRETIEN DES LAMES

- Appliquez régulièrement une huile anti-rouille sur les lames.
- Si l'une des lames doit être remplacée en raison de son usure, remplacez les quatre lames pour obtenir de meilleures performances.

Toute opération de maintenance autre que celles listées ici doit être réalisée par un personnel qualifié.

Remplacement des lames

Le cultivateur est équipé de quatre lames : deux lames intérieures et deux lames extérieures. Pour garantir un bon fonctionnement, les lames doivent être installées dans le bon sens. Les lettres L et R figurent sur les lames (images H et I).

Image H et I - Description des pièces ci-dessous :

H-1	Arbre entraîné	H-7	Broche d'attelage
H-2	Manchon intérieur	I-1	Broche d'attelage
H-3	Manchon extérieur	I-2	Lame extérieure marquée « R »
H-4	Lettre L	I-3	Lame intérieure marquée « R »
H-5	Lame intérieure marquée « L »	I-4	Lettre R
H-6	Lame extérieure marquée « L »		

REMARQUE : LES LAMES DOTEES DE DENTS ORIENTEES DANS LES DEUX SENS DOIVENT ETRE MONTEES A L'INTERIEUR, LE PLUS PRES DE LA BOITE DE VITESSES

1. Portez des gants.
2. Placez la lame intérieure, marquée « L » et dotée de dents orientées dans les deux sens, sur la gauche de la boîte de vitesses.
3. Placez la lame extérieure, marquée « L », (dotée de dents orientées dans un seul sens) du même côté, avec le manchon extérieur contre la lame intérieure.
4. Pour fixer la lame sur l'arbre d'entraînement, insérez la broche d'attelage dans le trou de fixation 1. Voir images J, K, L et N.
5. Retournez l'outil de façon à ce que la lame montée repose contre le sol.
6. Placez la lame intérieure, marquée « R » et dotée de dents orientées dans les deux sens, sur la droite de la boîte de vitesses.
7. Placez la lame extérieure, marquée « R », (dotée de dents orientées dans un seul sens) du même côté, avec le manchon extérieur contre la lame intérieure.
8. Pour fixer la lame sur l'arbre d'entraînement, insérez la broche d'attelage dans le trou de fixation 1 puis tournez la broche à 90°. Voir images J, K, L et N.

⚠ AVERTISSEMENT : L'outil ne fonctionnera pas correctement et pourra présenter un risque pour l'opérateur et les personnes à proximité si les lames ne sont pas installées de façon adéquate. Si vous remarquez un problème lorsque vous utilisez l'outil, vérifiez que les lames soient bien positionnées.

LES LAMES DOTEES DE DENTS ORIENTEES DANS LES DEUX SENS DOIVENT ETRE MONTEES A L'INTERIEUR, LE PLUS PRES DE LA BOITE DE VITESSES.

Réglage des lames

Lorsque vous labourez dans un espace confiné ou entre des rangées, il est possible d'utiliser le cultivateur avec les lames intérieures uniquement.

Munissez-vous de gants et retirez les deux broches d'attelage pour enlever les deux lames extérieures (image M), puis insérez les broches d'attelage dans le trou de fixation 2 (images N et O).

Image N - Description des pièces ci-dessous :

N-1	Trou de fixation 1
N-2	Trou de fixation 2

FR

REMARQUE : Ne forcez pas l'insertion ou le retrait des lames sur l'arbre d'entraînement. Si les lames sont difficiles à retirer, appliquez de l'huile pénétrante sur l'arbre. Lorsque vous réinstallez les lames, veillez à nettoyer et lubrifier l'arbre et les lames.

NETTOYER L'OUTIL

Des morceaux de plantes, tels que des racines, peuvent s'emmêler autour ou entre les lames rotatives lors de l'utilisation. Pour nettoyer les lames rotatives :

- Retirez la batterie.
- Portez des gants. Nettoyez les lames, le capot et la boîte de vitesses en retirant les morceaux de racines, de plantes ainsi que la terre présente dessus. Pour un nettoyage approfondi, retirez les lames et le capot pour les laver entièrement. Pour retirer les lames, vous trouverez le détail des étapes à suivre dans la partie précédente

«REMPACEMENT OU REGLAGE DES LAMES ».

- Essuyez la surface de l'outil avec un chiffon propre humidifié d'une solution de savon doux.

RANGER L'OUTIL

- Retirez la batterie de l'outil.
- Retirez l'extension cultivateur du bloc-moteur et placez le capuchon d'extrémité sur le manche pour éviter que de la saleté ne pénètre dans le raccord.
- Rangez l'outil dans un endroit sec, bien aéré et hors de portée des enfants. Ne rangez pas l'outil sur ou à côté d'engrais, d'essence ou d'autres substances chimiques.

Protection de l'environnement



Ne jetez pas les équipements électriques, les chargeurs de batterie, les batteries rechargeables et les piles avec les ordures ménagères ! Conformément à la directive européenne 2012/19/UE, les équipements électriques et électroniques qui ne sont plus utilisables, et conformément à la directive européenne 2006/66/CE, les batteries rechargeables et les piles usagées ou défectueuses doivent être collectés séparément. Si les appareils électriques sont jetés dans des décharges ou des dépôts d'ordures, des substances dangereuses peuvent s'infiltrer jusque dans la nappe phréatique et entrer dans la chaîne alimentaire, avec un effet néfaste sur votre santé et votre bien-être.

DÉPANNAGE

PROBLÈME	CAUSE	SOLUTION
Le cultivateur ne démarre pas.	<ul style="list-style-type: none"> ■ La batterie n'est pas correctement raccordée au bloc-moteur. ■ Il n'y a pas de contact électrique entre le bloc-moteur et la batterie. ■ La batterie est vide. ■ Le levier de déverrouillage et la gâchette ne sont pas maintenus enfoncés simultanément. 	<ul style="list-style-type: none"> ■ Raccordez la batterie au bloc-moteur. ■ Retirez la batterie, inspectez les contacts, puis réinstallez la batterie de façon à ce qu'elle s'enclenche. ■ Rechargez la batterie avec un chargeur EGO listé dans ce manuel d'utilisation. ■ Maintenez le levier de déverrouillage enfoncé, puis appuyez sur la gâchette pour allumer l'outil.
Le cultivateur s'arrête lors du labourage.	<ul style="list-style-type: none"> ■ Le moteur est en surcharge. ■ La batterie est trop chaude. ■ Les lames sont coincées. ■ La batterie est déconnectée de l'outil. ■ La batterie est vide. 	<ul style="list-style-type: none"> ■ Le moteur pourra redémarrer lorsqu'il ne sera plus en surcharge. Lors d'un travail en continu, diminuez la charge exercée sur le cultivateur et évitez de labourer en profondeur, labourez plutôt progressivement de plus en plus profond. ■ Laissez la batterie refroidir jusqu'à ce que sa température passe en-dessous de 67 °C. ■ Retirez la batterie du bloc-moteur, faites tourner les lames manuellement d'avant en arrière pour retirer les pierres ou les autres objets présents entre les lames ou entre les lames et la boîte de vitesses. ■ Réinstallez la batterie. ■ Rechargez la batterie avec un chargeur EGO listé dans ce manuel d'utilisation.

FR

GARANTIE

POLITIQUE DE GARANTIE EGO

Veuillez consulter le site egopowerplus.com pour trouver l'ensemble des modalités et conditions de la politique de garantie EGO.

¡LEA TODAS LAS INSTRUCCIONES!



LEA Y COMPRENDA EL MANUAL DE INSTRUCCIONES

ES

⚠ ¡Riesgo residual! Aquellas personas con implantes electrónicos, tales como marcapasos, deberán consultar a su médico antes de utilizar este producto. La utilización de equipos eléctricos a proximidad de un marcapasos podría causar en este interferencias o averías.

⚠ ADVERTENCIA: Para garantizar la seguridad y fiabilidad de la herramienta, confíe cualquier reparación y sustitución de piezas que sea necesaria a personal técnico cualificado.

SÍMBOLOS RELACIONADOS CON LA SEGURIDAD

El propósito de los símbolos de seguridad es el de atraer su atención hacia los posibles peligros que conlleva la utilización del producto. Los símbolos de seguridad y las explicaciones que los acompañan requieren su máxima atención y comprensión. Por sí solos, los símbolos de advertencia no eliminan los posibles peligros que pudieran existir. Las instrucciones y advertencias que aquí se incluyen no son sustitutas en modo alguno de las medidas de prevención adecuadas que deben tomarse para evitar posibles accidentes.

⚠ ADVERTENCIA: Antes de utilizar esta herramienta, asegúrese de haber leído y entendido perfectamente todas las instrucciones incluidas en este Manual del usuario, incluidos todos los símbolos de aviso sobre seguridad, tales como **PELIGRO**, **ADVERTENCIA** y **PRECAUCIÓN**. De no observarse todas las instrucciones proporcionadas a continuación podría existir un riesgo de incendio, electrocución, así como de lesiones físicas graves.

SIGNIFICADO DE LOS DISTINTOS SÍMBOLOS

⚠ Símbolo de aviso de seguridad: Indica **PELIGRO**, **ADVERTENCIA** O **PRECAUCIÓN**. Este símbolo puede utilizarse junto con otros símbolos o pictogramas.



⚠ ¡Advertencia! Cuando se utilizan herramientas eléctricas, es posible que salgan despedidos objetos que podrían causar lesiones oculares graves. Antes de empezar a usar herramientas eléctricas, póngase siempre gafas de seguridad, gafas con cristales anti-impacto que cuenten con pantallas de protección lateral y una máscara facial completa. Recomendamos usar una máscara de seguridad de amplia visión que pueda utilizarse encima de gafas graduadas, o bien gafas normales de seguridad equipadas con pantallas laterales.

INSTRUCCIONES RELACIONADAS CON LA SEGURIDAD

Esta página muestra y describe los símbolos de seguridad que puede haber en este producto. Asegúrese de leer, entender perfectamente y observar todas las instrucciones estampadas o proporcionadas con el producto antes de proceder a su montaje y utilización.

	Aviso de seguridad	Indica una situación potencialmente peligrosa que podría dar lugar a lesiones personales.
	Lea y comprenda el manual del usuario	Para reducir en lo posible el riesgo de lesiones, será necesario leer y entender perfectamente el Manual del usuario antes de proceder a utilizar este producto.
	Utilice protección auditiva	Lleve siempre protección auditiva cuando utilice este producto
	Utilizar protección ocular	Lleve siempre gafas de seguridad o gafas con pantallas de protección lateral cuando use este producto
	Utilice guantes de protección	Utilice guantes para proteger sus manos cuando manipule cuchillas. Utilice guantes resistentes y antideslizantes que mejoran el agarre y le protegen las manos.

	Utilice calzado de seguridad	Lleve calzado de seguridad antideslizante siempre que utilice este equipo.
	Rebote	Los objetos lanzados pueden rebotar y provocar lesiones personales o daños materiales.
	Mantenga los pies apartados	Para reducir el riesgo de lesiones por corte, mantenga los pies alejados de las cuchillas giratorias.
	Mantener alejadas a otras personas	Mantenga a las personas presentes a una distancia
	CE	Este producto está en conformidad con las directivas de la CE aplicables.
	RAEE	Los residuos eléctricos no deberán ser desechados con el resto de la basura doméstica. Lívelos a un punto limpio autorizado.
	Ruido	Nivel de potencia acústica garantizado.
	No exponga la herramienta a la lluvia	Carcasa con doble aislamiento.
	Símbolo de tipo de protección IP	Protección de nivel 4 contra la penetración de agua
V	Voltios	Tensión
mm	Milímetro	Longitud o tamaño
kg	Kilogramo	Peso

ADVERTENCIAS DE SEGURIDAD GENERAL PARA HERRAMIENTAS ELÉCTRICAS

⚠ ADVERTENCIA Lea todas las advertencias, instrucciones, ilustraciones y especificaciones incluidas con esta herramienta eléctrica. Si no se cumplen todas las

instrucciones que se enumeran a continuación, pueden producirse descargas eléctricas, incendios o lesiones graves.

Conserve todas las instrucciones y advertencias para futuras consultas.

SEGURIDAD EN LA ZONA DE TRABAJO

- **Mantenga la zona de trabajo limpia y bien iluminada.** Aquellas áreas desordenadas o insuficientemente iluminadas son más propensas a accidentes.
- **No ponga en funcionamiento las herramientas eléctricas en entornos explosivos, como por ejemplo donde haya líquidos inflamables, gases o polvo.** Las herramientas eléctricas crean chispas que podrían hacer que el polvo o los humos se incendiaran.
- **Mantenga a niños y demás personas a una distancia prudente mientras utiliza herramientas eléctricas.** Cualquier distracción podría hacerle perder el control de la herramienta.

PAUTAS DE SEGURIDAD ELÉCTRICA

- **No exponga las herramientas eléctricas a la acción de la lluvia ni a entornos húmedos.** La penetración de agua en una herramienta eléctrica aumentará el riesgo de electrocución.

SEGURIDAD PERSONAL

- **Manténgase alerta, concéntrese en lo que está haciendo y utilice siempre su sentido común cuando se sirva de herramientas eléctricas. No utilice herramientas eléctricas si está cansado o se encuentra bajo los efectos de estupefacientes, alcohol o fármacos.** Cualquier momento de descuido durante la utilización de herramientas eléctricas podría dar lugar a lesiones físicas graves.
- **Utilice siempre equipo de protección personal.** El equipo de protección personal, como protección ocular, máscaras antipolvo, calzado de seguridad antideslizante, casco protector o protección auditiva, cuando se utiliza adecuadamente, reduce las lesiones personales.
- **Evite la puesta en marcha accidental de la herramienta. Asegúrese de que el interruptor se encuentra en la posición de apagado antes de conectar la batería, así como al recoger o transportar la herramienta.** Transportar herramientas eléctricas con el dedo en el interruptor o con el interruptor en la posición de encendido aumenta el riesgo de accidente.
- **Retire cualquier llave de ajuste o llave inglesa de la herramienta antes de encenderla.** Una llave inglesa o una llave de ajuste enganchada a una parte móvil de la herramienta puede ocasionar lesiones.

ES

- **No se estire demasiado para alcanzar lugares de difícil acceso. Mantenga en todo momento un buen equilibrio y los pies firmemente apoyados en el suelo.** De esta manera, tendrá un mejor control de la herramienta eléctrica en caso de producirse alguna situación inesperada.
- **Utilice ropa adecuada. No lleve ropa holgada ni joyas. Mantenga el pelo y la ropa alejados de las partes móviles.** La ropa holgada, así como las joyas o el pelo largo podrían engancharse en las partes móviles.
- **Si se incluyen dispositivos de conexión a extractores y colectores de polvo, asegúrese de conectarlos y utilizarlos adecuadamente.** El uso de un colector de polvo puede reducir los riesgos asociados con el polvo.
- **El hecho de haberse familiarizado con la herramienta por el uso frecuente no debe hacer que se descuide e ignore los principios de seguridad.** Una distracción puede provocar lesiones graves en una fracción de segundo.

UTILIZACIÓN Y CUIDADO DE LAS HERRAMIENTAS ELÉCTRICAS

- **No fuerce las herramientas eléctricas. Utilice la herramienta eléctrica apropiada para el trabajo que vaya a realizar.** La utilización de la herramienta correcta a la velocidad de funcionamiento para la que ha sido diseñada le ayudará a efectuar el trabajo de manera más fácil y segura.
- **No utilice ninguna herramienta eléctrica cuyo interruptor de encendido/apagado no funcione como es debido.** Cualquier herramienta que no pueda controlarse mediante su interruptor, supondrá un peligro y deberá repararse antes de poder utilizarse.
- **Si la batería es extraíble, quítela de la herramienta o active el dispositivo de apagado de la batería antes de sacar material atascado de la herramienta, hacer ajustes, cambiar accesorios, limpiarla o guardarla.** Estas medidas de seguridad reducen el riesgo de que la herramienta se ponga en marcha por accidente.
- **Almacene las herramientas eléctricas apagadas fuera del alcance de niños y no permita en ningún momento que aquellas personas que no estén lo suficientemente familiarizadas con estas instrucciones o este tipo de herramientas las utilicen.** Las herramientas eléctricas son extremadamente peligrosas en manos de aquellas personas que no cuentan con la debida formación o experiencia para su uso.
- **Cuide las herramientas eléctricas y sus accesorios. Examine las herramientas eléctricas por si alguno de sus elementos móviles está desalineado o trabado, o si hay piezas rotas u otra circunstancia que afecte a su funcionamiento.** Si la herramienta eléctrica está dañada, llévela a reparar antes de usarla. La falta de mantenimiento de las herramientas eléctricas y sus accesorios es la causa de muchos accidentes.
- **Mantenga las herramientas de corte limpias y afiladas.** El cuidado apropiado de las herramientas de corte, manteniendo sus bordes afilados, las hará menos propensas a atascarse o trabarse y le permitirá controlarlas con mayor facilidad.
- **Utilice la herramienta eléctrica, así como sus accesorios, brocas, puntas de destornillador, etc., conforme a lo indicado en estas instrucciones y teniendo siempre en cuenta las condiciones de trabajo, así como la tarea a efectuar.** La utilización de herramientas eléctricas para propósitos distintos a aquellos para los que han sido diseñadas podría suponer un peligro.
- **Mantenga las empuñaduras y las superficies de agarre secas, limpias y libres de aceite y grasa.** Las empuñaduras y superficies de agarre resbaladizas pueden provocar un uso no seguro o la pérdida de control de la herramienta.
- **Mantenga los cables alejados del área de trabajo de la herramienta.** Durante la utilización de la herramienta, los cables podría quedar ocultos y cortarse accidentalmente.

UTILIZACIÓN Y CUIDADO DE LA BATERÍA DE LA HERRAMIENTA

- **Recargue la herramienta utilizando únicamente el cargador especificado por el fabricante.** Un cargador adecuado para cierto tipo de pack de batería podría suponer un riesgo de incendio si se utiliza con un pack de batería distinto.
- **Utilice herramientas eléctricas solamente con las baterías asignadas para ellas.** El uso de cualquier otro tipo de batería puede provocar riesgo de lesiones e incendio.
- **Cuando no se esté utilizando el pack de batería, manténgalo apartado de objetos metálicos tales como clips para papeles, monedas, llaves, clavos, tornillos, o de cualquier otro objeto metálico pequeño que pudiera provocar un cortocircuito en sus terminales de corriente.** De cortocircuitarse los terminales de la batería, podrían producirse quemaduras o incendios.

- **En condiciones de uso intensivo, es posible que se produzca una fuga de ácido de la batería. Evite cualquier contacto con dicho electrolito. De producirse cualquier contacto accidental, enjuague la zona corporal afectada con abundante agua. Si el electrolito llegara a penetrar en los ojos, deberá solicitarse atención médica urgente.** El ácido emanado de la batería podría causar irritación o quemaduras cutáneas.
- **No utilice una batería o una herramienta que haya sido modificada o que esté dañada.** Las baterías dañadas o modificadas pueden tener un comportamiento impredecible y provocar un incendio, explosión o riesgo de lesiones.
- **No exponga la batería ni la herramienta al fuego ni a una temperatura excesiva.** La exposición al fuego o a una temperatura superior a 130 °C podría provocar una explosión.
- **Siga todas las instrucciones de carga y no cargue la batería ni la herramienta fuera del rango de temperatura especificado en las instrucciones.** Una carga incorrecta o a temperaturas fuera del rango especificado puede dañar la batería y aumentar el riesgo de incendio.

OTRAS ADVERTENCIAS DE SEGURIDAD

FORMACIÓN

- Lea atentamente estas instrucciones. Familiarícese con los mandos y con la manera correcta de utilizar el aparato.
- Nunca permita que utilicen la herramienta las personas que no estén familiarizadas con estas instrucciones ni los niños. Las normativas locales pueden restringir la edad del usuario.
- Nunca utilice la herramienta cuando haya cerca otras personas, especialmente niños, o mascotas.
- Recuerde que el operario o usuario de la herramienta será responsable de cualquier accidente o peligro para otras personas o bienes.

PREPARACIÓN

- Lleve siempre calzado robusto y pantalones largos cuando utilice la herramienta. No use la herramienta estando descalzo o con sandalias.
- Examine minuciosamente la zona donde vaya a utilizar el aparato y elimine todos los objetos que puedan ser lanzados por la máquina.
- Antes de usar la herramienta, inspecciónela siempre visualmente para comprobar que no esté desgastada ni dañada. Reemplace al mismo tiempo los componentes desgastados o dañados y los tornillos, para mantener el equilibrio.

FUNCIONAMIENTO

- No ponga en marcha el motor en lugares en los que puedan acumularse gases de monóxido de carbono peligrosos.
- Utilice la herramienta solo a plena luz del día o cuando haya una iluminación artificial adecuada.
- Asegúrese siempre de tener los pies firmemente apoyados sobre el suelo cuando utilice la herramienta en pendientes.
- Camine, no corra nunca con la máquina.
- En el caso de aparatos rotativos con ruedas, desplácese perpendicularmente a la pendiente y no cuesta arriba o cuesta abajo.
- Extreme la precaución al cambiar de dirección mientras utiliza la herramienta en pendientes.
- No utilice la herramienta en terrenos excesivamente inclinados.
- Extreme la precaución al retroceder o al tirar hacia usted de la máquina.
- No cambie los ajustes de regulación del motor ni ponga el motor a una velocidad excesiva.
- Arranque el motor con cuidado, siguiendo las instrucciones del fabricante y manteniendo los pies alejados de la herramienta.
- No coloque las manos ni los pies cerca o debajo de los elementos giratorios.
- Nunca levante ni transporte la máquina con el motor en marcha.
- Utilizar solo con los acumuladores y cargadores enumerados en la fig. A.

USO EN PENDIENTES:

Las pendientes son un factor de riesgo importante en relación con accidentes como resbalones y caídas que pueden provocar lesiones graves. Asegúrese siempre de tener los pies firmemente apoyados sobre el suelo cuando utilice la herramienta en pendientes. El uso de la herramienta en pendientes requiere siempre extremar las precauciones. Si se siente inseguro en una pendiente, no utilice la herramienta en ella.

- Preste atención a la existencia de socavones, roderas, piedras, objetos ocultos o bultos que puedan hacerle resbalar o tropezar. La hierba alta puede ocultar obstáculos.

MANTENIMIENTO

- **Asegúrese de que las reparaciones que deban efectuarse en su herramienta las lleve a cabo personal técnico cualificado utilizando únicamente piezas de recambio idénticas a las originales.** Solamente así podrá garantizarse la seguridad de uso de las herramientas eléctricas.
- **No repare nunca baterías que estén dañadas.** Las baterías solo debe repararlas el fabricante o un centro de servicio técnico autorizado.

⚠ ADVERTENCIA: Lea todas las advertencias, instrucciones, ilustraciones y especificaciones incluidas con esta herramienta eléctrica. Si no se cumplen todas las instrucciones que se enumeran a continuación, pueden producirse descargas eléctricas, incendios o lesiones graves. Guarde todas las instrucciones y advertencias para consultarlas en el futuro.

CONSERVE ESTAS INSTRUCCIONES EN UN LUGAR SEGURO!

ESPECIFICACIONES

Anchura de arado	240 mm	
Profundidad de arado	215 mm	
Tamaño de la cuchilla	215 mm	
Temperatura de funcionamiento	0°C-40°C	
Temperatura de almacenamiento	-20°C-70°C	
Peso (incluyendo la protección)	3,9 kg	
Nivel de potencia sonora medido L_{WA}	87,6 dB(A) K=2,02 dB(A)	
Nivel de presión acústica medido a la altura del oído del usuario L_{PA}	77,0 dB(A) K=3 dB(A)	
Nivel de potencia acústica garantizado L_{WA} (medido conforme a los requisitos de la Directiva 2000/14/CE)	90 dB(A)	
Evaluación de la vibración a_h	Empuñadura auxiliar delantera	0,94 m/s ² K= 1,5 m/s ²
	Empuñadura trasera	1,24 m/s ² K= 1,5 m/s ²

- Los parámetros anteriores se han comprobado y medido equipando un conjunto de motor PH1400E.

- El valor de vibración total ha sido medido de acuerdo con el método de prueba estándar y se puede utilizar para comparar herramientas;
- El valor total de vibración declarado se puede usar además en una evaluación preliminar del grado de exposición.

AVISO: Las vibraciones generadas durante el uso real de la herramienta eléctrica pueden diferir del valor declarado en función de la manera en que se utilice. Como protección, el usuario debería utilizar guantes y protectores auditivos en condiciones reales de uso.

LISTA DE EMBALAJE

Denominación de pieza	Cantidad
Accesorio cultivador	1
Protección (con perno)	1
Llave Allen	1
Manual de instrucciones	1

DESCRIPCIÓN

FAMILIARÍCESE CON EL CULTIVADOR (fig. A)

1. TAPÓN
2. Tubo del accesorio cultivador
3. Caja de engranajes
4. Manguito
5. Cuchillas exteriores
6. Cuchillas interiores
7. Pasador de enganche
8. Protección
9. Llave Allen

CONJUNTO

⚠ ADVERTENCIA: Si alguna pieza falta o está rota, no utilice el producto hasta haber sustituido las piezas rotas o instalado las que faltan. Podrían producirse lesiones físicas graves en caso de utilizar el producto si alguna de sus piezas falta o está dañada.

⚠ ADVERTENCIA: No intente modificar este producto ni fabricar accesorios no recomendados para su uso en este producto. Cualquier alteración o modificación se considerará uso indebido y podría provocar una situación peligrosa con riesgo de lesiones graves.

⚠ ADVERTENCIA: Lleve siempre guantes resistentes cuando instale o quite la cuchilla o cuando realice cualquier tarea de mantenimiento en la cuchilla. Tenga cuidado con la cuchilla y proteja sus manos para evitar cortarse con ella.

⚠ ADVERTENCIA: No conecte el cultivador al conjunto de motor hasta después de haber finalizado el montaje. De lo contrario, podría producirse un arranque accidental y posibles lesiones graves.

MONTAJE DE LA PROTECCIÓN

⚠ ADVERTENCIA: Instale la protección antes de conectar el accesorio cultivador al conjunto del motor.

1. Afloje y quite el tornillo de la protección con la llave Allen (fig. B).
2. Levante el tubo del accesorio cultivador y quite el tapón del tubo.
3. Alinee la ranura de la protección con la pestaña de metal en el extremo del tubo, pase la protección por el tubo hasta que estén alineados los orificios del tornillo en la protección y en la pestaña de metal (fig. C y D).
4. Use la llave Allen para apretar el tornillo en sentido horario y sujetar la protección de forma segura.

Fig. D, ver abajo la descripción de las piezas:

D-1	Tornillo
-----	----------

CONEXIÓN DEL ACCESORIO CULTIVADOR AL CONJUNTO DE MOTOR

⚠ ADVERTENCIA: No instale ni ajuste nunca ningún accesorio mientras el conjunto de motor esté funcionando o con la batería instalada. El hecho de no apagar el motor y retirar la batería podría provocar lesiones personales graves.

Este accesorio cultivador está diseñado para usarlo con el conjunto de motor EGO PH1400E.

1. Apague el motor y quite la batería.
2. Afloje el tornillo de mariposa en el acoplador del conjunto del motor.
3. Si está puesto el tapón en el tubo del accesorio, quítelo y guárdelo en un lugar seguro para usarlo más tarde.

Alinee la flecha en el tubo del cultivador con la flecha en el acoplador (fig. E) y empuje el tubo del cultivador en el acoplador, hasta que se oiga un “CLIC” (fig. F).

Fig. E, ver abajo la descripción de las piezas:

E-1	Botón de liberación del tubo
E-2	Flecha en el acoplador
E-3	Tornillo de mariposa
E-4	Flecha en el tubo del accesorio
E-5	Línea roja

Fig. F, ver abajo la descripción de las piezas:

F-1	Línea roja
-----	------------

4. Tire ligeramente del tubo del accesorio para comprobar que está bloqueado de modo seguro en el acoplador. De lo contrario, gire el tubo del cultivador hacia detrás y hacia delante en el acoplador, hasta que se oiga un “CLIC” indicando que se ha enclavado.
5. Apriete firmemente el tornillo de mariposa.

⚠ ADVERTENCIA: Asegúrese de que el tornillo de mariposa en el acoplador está perfectamente apretado antes de utilizar el equipo; compruebe el apriete periódicamente durante el uso para evitar lesiones graves.

DESINSTALACIÓN DE UN ACCESORIO DEL CONJUNTO DE MOTOR

1. Apague el motor y quite la batería.
2. Afloje el tornillo de mariposa.
3. Manteniendo apretado el botón de liberación del tubo, tire del tubo del accesorio cultivador o gírelo para sacarlo del acoplador y quitarlo del conjunto del motor.

UTILIZACIÓN

⚠ ADVERTENCIA: No permita que la confianza que supone el hecho de estar familiarizado con el producto dé lugar a descuidos. Recuerde que cualquier distracción de una fracción de segundos es suficiente para sufrir o provocar lesiones graves.

⚠ ADVERTENCIA: Utilice siempre gafas de seguridad y protección auditiva. De lo contrario, de la herramienta pueden salir objetos despedidos y alcanzar los ojos, provocando lesiones graves.

⚠ ADVERTENCIA: No utilice piezas o accesorios que no hayan sido recomendados por el fabricante de este producto. La utilización de piezas o accesorios no recomendados por el fabricante podría resultar en lesiones físicas graves.

APLICACIONES

Este producto puede utilizarse para los fines indicados a continuación:

- Roturación de suelos de jardín para preparar lechos de siembra para replantación.
- Cultivo superficial para arrancar maleza o ahuecar la tierra alrededor de plantas, de modo que el agua y el aire puedan penetrar más fácilmente y a más profundidad en el suelo.
- Fertilización de suelos con abono, hojas u otros fertilizantes orgánicos. El cultivo superficial ahueca la capa superior del suelo e integra los nutrientes añadidos.
- Formación de surcos o zanjas en el suelo ahuecado.
- **AVISO:** Para evitar que se dañe el cultivador o los árboles, tenga cuidado de que las cuchillas no queden atrapadas en las raíces grandes. Evite cultivar a una profundidad excesiva, ya que podría dañar las raíces poco profundas de algunas plantas.

USO DEL ACCESORIO CULTIVADOR CON EL CONJUNTO DE MOTOR

⚠ ADVERTENCIA: Utilice ropa adecuada cuando trabaje con esta herramienta, para reducir el riesgo de lesiones. No lleve puesta ropa holgada ni joyas. Utilice protección ocular. Lleve calzado de seguridad. Utilice pantalones largos, botas y guantes resistentes. No lleve pantalones cortos, sandalias, ni vaya descalzo. Sujete el cultivador con una mano sobre la empuñadura trasera y la otra mano sobre la empuñadura auxiliar delantera. Mantenga un agarre firme con las dos manos mientras utiliza el cultivador. El cultivador deberá sujetarse en una posición cómoda con la empuñadura trasera aproximadamente a la altura de la cadera.

Mantenga un buen agarre y equilibre el peso entre los dos pies (fig. G).

Puede desplazar el cultivador hacia delante o hacia atrás, de izquierda a derecha, de derecha a izquierda o realizando un movimiento circular. Escoja el método más adecuado para la tarea que vaya a realizar, dependiendo de la forma y el tamaño del área y de las condiciones del suelo.

El movimiento alternativo hacia detrás y hacia delante es el más adecuado para ahuecar suelos compactados.

Cuando forme surcos o zanjas, camine lentamente hacia atrás y tire del cultivador para crear el surco. Repita las veces necesarias para realizar surcos más profundos.

AVISO: Tirando con cuidado del cultivador hacia usted mientras está cavando en el suelo reducirá el esfuerzo que debe realizar y le resultará más fácil arar.

Si sale despedido algún material, puede lesionar gravemente al usuario o a otras personas. Para reducir el riesgo de lesiones, es esencial adoptar las precauciones siguientes:

- Inspeccione el área y despéjela de cualquier objeto oculto, como vidrios, piedras, rocas, cemento, alambre de vallas, piezas de metal, etc., que puedan ser lanzadas o engancharse en las cuchillas. Evite el contacto con objetos extraños duros o sólidos.
- Inspeccione las cuchillas regularmente y con frecuencia para detectar signos de daños o cuando haya golpeado un objeto duro. No siga utilizando una cuchilla dañada.
- Sujete siempre el cultivador con las dos manos durante el funcionamiento. Agarre las dos empuñaduras firmemente.
- Lleve el cultivador al área de trabajo antes de ponerlo en marcha a baja velocidad.

Antes de cada utilización, examine la herramienta por si hubiera piezas dañadas o desgastadas. Examine las cuchillas, la protección y la empuñadura auxiliar delantera. Sustituya cualquier pieza que esté agrietada, deformada, doblada o presente cualquier tipo de daño.

Limpie el cultivador después de cada uso PARA PONER EN MARCHA/PARAR LA HERRAMIENTA

Consulte el apartado "ARRANQUE/PARADA DEL CONJUNTO DEL MOTOR" en el manual del usuario del conjunto del motor PH1400E

MANTENIMIENTO

⚠ ADVERTENCIA: Cuando efectúe reparaciones en la herramienta, utilice únicamente piezas idénticas a las originales. La utilización de otras piezas podría suponer un peligro o causar daños en el producto. Para garantizar la seguridad y fiabilidad del producto, todas las reparaciones deberá realizarlas un técnico cualificado.

⚠ ADVERTENCIA: Las herramientas que funcionan a batería no requieren enchufarse en una toma de corriente. Por lo tanto, siempre están listas para funcionar. Para evitar lesiones graves, extreme las precauciones y proceda con cuidado al efectuar tareas de mantenimiento, reparación o sustitución del elemento de corte o de otros accesorios.

⚠ ADVERTENCIA: Para evitar lesiones graves, quite la batería del conjunto del motor y espere a que todas las cuchillas se hayan parado antes de realizar reparaciones, limpieza, cambios de accesorios o cuando no se use el producto.

⚠ ADVERTENCIA: Lleve siempre guantes resistentes cuando instale o quite la cuchilla o cuando realice cualquier tarea de mantenimiento en la cuchilla. Tenga cuidado con la cuchilla y proteja sus manos para evitar cortarse con ella.

MANTENIMIENTO GENERAL

⚠ ADVERTENCIA: No permita que el líquido de frenos, gasolina, productos derivados del petróleo, aceites penetrantes, etc., entren en contacto con los elementos de plástico del producto. Las sustancias químicas podrían dañar, debilitar o destruir el plástico, con el consiguiente riesgo de provocar lesiones graves.

⚠ ADVERTENCIA: Cuando limpie el accesorio cultivador, NO lo sumerja en agua ni en otros líquidos. No limpie la máquina con un limpiador a presión. El chorro de agua a presión puede dañar algunas piezas de la máquina.

- Mantenga todas las tuercas, pernos y tornillos bien apretados para asegurar que la herramienta esté en perfectas condiciones de funcionamiento seguro.
- Para reducir el riesgo de incendio, mantenga el motor, el silenciador y el compartimento de la batería limpios de material vegetal y grasa excesiva.
- Por razones de seguridad, sustituya las piezas desgastadas o dañadas.

MANTENIMIENTO DE LAS CUCHILLAS

- mantenga las cuchillas regularmente con aceite antioxidante.
- Si hay que cambiar alguna de las cuchillas porque está desgastada, cambie las cuatro cuchillas para obtener un rendimiento óptimo.

Todas las reparaciones del cultivador distintas de las acciones que se enumeran en estas instrucciones de mantenimiento debe realizarlas el personal de servicio técnico autorizado.

Para cambiarlas

El cultivador tiene cuatro cuchillas: dos interiores y dos exteriores. Para que el cultivador funcione adecuadamente, las cuchillas deben instalarse en la dirección correcta. Los símbolos L y R están estampados en las cuchillas (fig. H e I).

Fig. H e I, ver abajo la descripción de las piezas:

H-1	Eje del motor	H-7	Pasador de enganche
H-2	Manguito interior	I-1	Pasador de enganche
H-3	Manguito exterior	I-2	Cuchilla exterior con el símbolo "R"
H-4	Símbolo L	I-3	Cuchilla interior con el símbolo "R"
H-5	Cuchilla interior con el símbolo "L"	I-4	Símbolo R
H-6	Cuchilla exterior con el símbolo "L"		

AVISO: AVISO: LAS CUCHILLAS QUE TIENEN PÚAS EN AMBAS DIRECCIONES DEBEN MONTARSE EN EL INTERIOR, MÁS CERCA DE LA CAJA DE ENGRANAJES

1. Utilice guantes.
2. Coloque la cuchilla interior, con una "L" estampada, que tiene púas en ambas direcciones, a la izquierda de la caja de engranajes.
3. Coloque la cuchilla exterior, con una "L" estampada (las púas indican solo en una dirección), en el mismo lado, con el manguito exterior contra la cuchilla interior.
4. Para sujetar la cuchilla al eje del motor, inserte el pasador de enganche en el orificio de bloqueo 1. Consulte las fig. J, K, L y N como referencia.
5. Gire la herramienta dejando la cuchilla instalada apoyada en el suelo.
6. Coloque la cuchilla interior, con una "R" estampada, que tiene púas en ambas direcciones, a la derecha de la caja de engranajes.
7. Coloque la cuchilla exterior, con una "R" estampada (las púas indican solo en una dirección), en el mismo lado, con el manguito exterior contra la cuchilla interior.
8. Para sujetar la cuchilla al eje del motor, inserte el pasador de enganche en el orificio de bloqueo 1 y después gire 90° el pasador de enganche. Consulte las fig. J, K, L y N como referencia.

⚠ ADVERTENCIA: El aparato no funcionará correctamente o puede provocar daños al usuario o a otras personas si las cuchillas no están bien instaladas. Si nota algún problema en el funcionamiento de cultivo del aparato, compruebe que las cuchillas estén colocadas correctamente.

ES

LAS CUCHILLAS QUE TIENEN PÚAS EN AMBAS DIRECCIONES DEBEN MONTARSE EN EL INTERIOR, MÁS CERCA DE LA CAJA DE ENGRANAJES.

Ajuste

Cuando esté arando un área cerrada o entre filas, el cultivador se puede usar instalando solo las cuchillas interiores.

Póngase guantes y quite los dos pasadores de enganche para sacar las dos cuchillas exteriores (fig. M) y, a continuación, inserte los pasadores de enganche en el orificio de bloqueo 2 (fig. N y O).

Fig. N, ver abajo la descripción de las piezas:

N-1	Orificio de bloqueo 1
N-2	Orificio de bloqueo 2

AVISO: No fuerce las cuchillas para introducirlas o sacarlas del eje del motor. Si tiene dificultades para quitar las cuchillas, aplique un poco de aceite penetrante en el eje. Cuando vuelva a instalar las cuchillas, asegúrese de limpiar y lubricar el eje y las cuchillas.

LIMPIEZA DE LA UNIDAD

Algunas partes de las plantas, como las raíces, se pueden enrollar muy apretadas entre las cuchillas giratorias o alrededor de ellas durante el funcionamiento. Para limpiar las cuchillas giratorias:

- Quite la batería.
- Utilice guantes. Limpie los trozos de raíces, suelo obstruido o plantas de la cuchilla, la protección o la caja de engranajes. Para una limpieza a fondo, quite las cuchillas y la protección y lávelas bien. Consulte los pasos detallados para cambiar las cuchillas en el apartado anterior

“CAMBIAR O AJUSTAR LAS CUCHILLAS”.

- Limpie la superficie de la herramienta con un paño limpio, humedecido con una solución de agua y jabón suave.

ALMACENAMIENTO DE LA HERRAMIENTA

- Quite la batería de la herramienta.
- Quite el accesorio cultivador del conjunto del motor y cubra el tubo del accesorio con el tapón, para evitar que penetre suciedad en el acoplamiento.

- Guarde la herramienta en un lugar seco, bien ventilado y fuera del alcance de los niños. No la guarde encima ni cerca de fertilizantes, gasolina u otros productos químicos.

Protección del medio ambiente



¡No elimine aparatos eléctricos, cargadores de baterías, pilas o baterías recargables con la basura doméstica! Tanto la Directiva europea 2012/19/UE sobre la eliminación de aparatos eléctricos y electrónicos inservibles como la Directiva europea 2006/66/CE sobre la eliminación de baterías o acumuladores defectuosos o agotados estipulan que dichos elementos deben ser objeto de una recogida selectiva. Si los aparatos eléctricos se eliminan en vertederos o basureros, podrían desprender sustancias perjudiciales que llegarían a contaminar las capas freáticas y entrar en la cadena alimenticia, con el consecuente peligro para la salud y la calidad de vida.

RESOLUCIÓN DE PROBLEMAS

PROBLEMA	CAUSA	SOLUCIÓN
El cultivador no arranca.	<ul style="list-style-type: none"> ■ La batería no está conectada correctamente al conjunto del motor. ■ No hay contacto eléctrico entre el conjunto del motor y la batería. ■ La batería está agotada. ■ No ha presionado simultáneamente la palanca de desbloqueo y el gatillo interruptor. 	<ul style="list-style-type: none"> ■ Conecte la batería al conjunto del motor. ■ Quite la batería, compruebe los contactos y vuelva a instalar la batería, de modo que encaje en su lugar. ■ Cargue la batería con un cargador EGO indicado en este manual. ■ Mantenga presionada la palanca de desbloqueo y apriete el gatillo interruptor para poner en marcha el aparato.
El cultivador se para al arar.	<ul style="list-style-type: none"> ■ El motor se ha sobrecargado. ■ La batería se ha calentado demasiado. ■ Las cuchillas están atascadas. ■ La batería se ha desconectado de la herramienta ■ La batería está agotada 	<ul style="list-style-type: none"> ■ El motor se recuperará cuando se retire la carga. Para un uso continuado, reduzca la carga en el cultivador y evite arar en profundidad; en lugar de ello, realice progresivamente cortes más profundos. ■ Espere a que la batería se haya enfriado lo suficiente hasta que su temperatura sea menor que 67°C. ■ Quite la batería del conjunto del motor, gire manualmente las cuchillas hacia detrás y hacia delante para retirar las piedras u otros obstáculos entre las cuchillas o entre la cuchilla y la caja de engranajes. ■ Vuelva a instalar la batería. ■ Cargue la batería con un cargador EGO indicado en este manual.

ES

GARANTÍA

POLITICA DE GARANTÍA EGO

Por favor visite nuestra página web egopowerplus.com para los terminos y las condiciones completas de la politica de garantía EGO.

LEIA TODAS AS INSTRUÇÕES!



LEIA E COMPREENDA O MANUAL DE INSTRUÇÕES

PT

⚠ Risco residual! As pessoas com dispositivos eletrônicos, como pacemakers, deverão consultar o seu médico antes de utilizarem este produto. A utilização de equipamento elétrico perto de um pacemaker pode causar interferências ou falhas no pacemaker.

⚠ AVISO: Para assegurar a segurança e bom funcionamento, todas as reparações e substituições deverão ser efetuadas por um técnico de reparação qualificado.

SÍMBOLOS DE SEGURANÇA

O objetivo dos símbolos de segurança é chamar a atenção para possíveis perigos. Os símbolos de segurança e as respectivas explicações apresentadas requerem a sua atenção e compreensão. Os avisos de segurança, só por si, não eliminam o perigo. As instruções e avisos dados não são substitutos para medidas de prevenção adequadas a acidentes.

⚠ AVISO: Certifique-se de que lê e compreende todas as instruções de segurança neste manual do utilizador, incluindo todos os símbolos de alerta de segurança, como “**PERIGO**”, “**AVISO**”, e “**CUIDADO**” antes de utilizar esta ferramenta. Não seguir todas as instruções apresentadas abaixo pode resultar em choque elétrico, incêndio e/ou lesões graves.

SIGNIFICADO DOS SÍMBOLOS

⚠ Símbolo de alerta de segurança: Indica **PERIGO**, **AVISO** ou **CUIDADO**. Pode ser usado juntamente com outros símbolos ou imagens.



⚠ AVISO! O funcionamento de qualquer ferramenta elétrica pode dar origem ao ressaltado de quaisquer objetos estranhos que podem atingir os olhos, podendo dar origem a sérias lesões oculares. Antes de começar a utilizar a ferramenta elétrica, utilize sempre óculos de segurança com proteções laterais e uma proteção completa para a cara, quando necessário. Recomendamos Máscaras de Segurança com Visão Panorâmica por cima de óculos, ou óculos de segurança padrão com proteção lateral.

INSTRUÇÕES DE SEGURANÇA

Esta página retrata e descreve os símbolos de segurança que podem aparecer neste produto. Leia, compreenda e siga todas as instruções na máquina antes de a tentar montar e utilizar.

	Alerta de segurança	Indica um potencial perigo de lesões pessoais.
	Leia e compreenda o manual de instruções	Para reduzir o risco de lesões, o utilizador tem de ler e compreender o manual do utilizador antes de utilizar este produto.
	Use proteção auditiva.	Utilize sempre proteção auditiva ao utilizar este produto.
	Utilize proteção ocular	Use sempre óculos de segurança com proteção lateral quando utilizar este produto.
	Use luvas de proteção	Proteja as suas mãos com luvas quando manusear as lâminas. As luvas resistentes e antiderrapantes melhoram a aderência e protegem as suas mãos.
	Use calçado de segurança	Use calçado de segurança antiderrapante quando usar este equipamento.
	Ricochete	Objetos podem ressaltar e causar lesões pessoais ou danos materiais.
	Mantenha os pés afastados	Para reduzir o risco de cortes, mantenha os pés afastados das lâminas rotativas.
	Mantenha terceiros afastados	Mantenha outras pessoas a uma distância segura
	CE	Este produto encontra-se em conformidade com as diretivas CE aplicáveis.

	REEE	Os produtos elétricos residuais não deverão ser eliminados juntamente com o lixo doméstico comum. Entregue-os num centro de reciclagem autorizado.
	Ruído	Nível de potência do som garantido.
	Não exponha à chuva	Não utilizar à chuva ou deixar no exterior enquanto chove.
IPX4	Símbolo IP	Proteção contra a entrada de água de grau 4
V	Volts	Tensão
mm	Milímetro	Comprimento ou tamanho
kg	Quilograma	Peso

AVISOS DE SEGURANÇA GERAIS DA FERRAMENTA ELÉTRICA

AVISO: Leia todos os avisos de segurança, instruções, ilustrações e especificações fornecidas com esta ferramenta elétrica. Não seguir todas as instruções apresentadas abaixo pode resultar em choque elétrico, incêndio e/ou lesões graves.

Guarde todos os avisos e instruções para futuras referências.

SEGURANÇA NA ÁREA DE TRABALHO

- **Mantenha a área de trabalho limpa e bem iluminada.** Áreas desarrumadas ou escuras são propícias a acidentes.
- **Não ligue ferramentas elétricas em atmosferas explosivas, tal como na presença de líquidos inflamáveis, gases ou pó.** As ferramentas elétricas geram faíscas que podem provocar a ignição dos fumos ou pó.
- **Mantenha as crianças e pessoas que passem afastadas enquanto trabalhar com uma ferramenta elétrica.** As distrações podem fazer com que perca o controlo.

SEGURANÇA ELÉTRICA

- **Não exponha as ferramentas elétricas à chuva ou a condições húmidas.** A entrada da água na ferramenta elétrica aumentará o risco de choque elétrico.

SEGURANÇA PESSOAL

- **Mantenha-se alerta, observe o que está a fazer e use senso comum quando estiver a trabalhar com uma ferramenta elétrica. Não utilize uma ferramenta elétrica enquanto estiver cansado ou sobre o efeito de drogas, álcool ou medicação.** Um momento de falta de atenção enquanto trabalha com ferramentas elétricas pode resultar em lesões sérias.
- **Use sempre equipamento pessoal de proteção.** O equipamento pessoal de proteção, tal como proteção ocular, máscara de pó, calçado de segurança antiderrapante, capacete de segurança, ou proteção para os ouvidos, utilizado nas condições adequadas, reduzirá a hipótese de lesões.
- **Evite os arranques sem intenção. Certifique-se de que o interruptor se encontra na posição de desligado antes de ligar à bateria, segurar ou transportar a ferramenta.** Transportar ferramentas elétricas com o seu dedo no interruptor ou fornecer energia a ferramentas elétricas que tenham o interruptor na posição de ligado convida a acidentes.
- **Retire qualquer chave de ajuste ou chave de fendas antes de ligar a energia.** Uma chave de porcas ou uma chave deixada ligada a uma peça rotativa da ferramenta elétrica pode provocar uma lesão.
- **Não se estique. Mantenha sempre a base e o equilíbrio adequados.** Isso proporciona um melhor controlo da ferramenta elétrica em situações inesperadas.
- **Vista-se adequadamente. Não use roupas largas ou joalheria. Mantenha o seu cabelo e roupa afastados das peças móveis.** Roupas largas, joalheria ou cabelo comprido podem ser apanhados nas peças móveis.
- **Se forem fornecidos dispositivos para a ligação de extração de pó e facilidades de recolha, certifique-se de que estas estão ligadas e de que são devidamente utilizadas.** A utilização de dispositivos de extração do pó pode reduzir os perigos relacionados com o pó.
- **Não permita que a familiaridade ganha com a utilização de ferramentas o torne mais complacente e ignore os princípios de segurança da ferramenta.** Uma ação descuidada pode causar lesões severas numa fração de segundo.

UTILIZAÇÃO E CUIDADOS DA FERRAMENTA ELÉTRICA

- **Não force a ferramenta elétrica. Utilize a ferramenta elétrica correta para a sua aplicação.** A ferramenta elétrica correta fará o trabalho melhor e de forma mais segura ao ritmo para o qual foi concebida.

- **Não utilize a ferramenta elétrica se o interruptor não a ligar ou desligar.** Qualquer ferramenta elétrica que não possa ser controlada pelo interruptor torna-se perigosa e tem de ser reparada.
- **Retire a bateria, se amovível, da ferramenta elétrica e/ou ative qualquer dispositivo de desativação da bateria antes de libertar material obstruído, efetuar quaisquer ajustes, mudar de acessórios, limpar ou guardar ferramentas elétricas.** Tais medidas preventivas de segurança reduzem o risco de ligar a ferramenta elétrica acidentalmente.
- **Guarde ferramentas elétricas sem carga fora do alcance de crianças e não permita que pessoas estranhas às ferramentas elétricas ou a estas instruções trabalhem com a ferramenta elétrica.** As ferramentas elétricas são perigosas nas mãos de utilizadores sem formação.
- **Proceda à manutenção das ferramentas elétricas e acessórios. Certifique-se de que as partes móveis não estão desalinhadas ou bloqueadas, que não há peças quebradas ou qualquer outra condição que possa afetar o funcionamento da ferramenta elétrica.** Se estiver danificada, leve a ferramenta elétrica para ser reparada antes da utilização. Muitos acidentes são provocados pela fraca manutenção das ferramentas elétricas.
- **Mantenha as ferramentas de corte afiadas e limpas.** Ferramentas devidamente mantidas com arestas de corte afiadas são menos fáceis de prender e mais fáceis de controlar.
- **Use a ferramenta elétrica, acessórios e brocas, etc., de acordo com estas instruções, tendo em conta as condições de trabalho e o trabalho a ser efetuado.** A utilização da ferramenta elétrica para operações diferentes daquelas para que foi criada pode dar origem a uma situação perigosa.
- **Mantenha as pegas e superfícies de segurar secas, limpas e sem óleo ou gordura.** Pegas e superfícies de preensão escorregadias podem dar origem a um manuseamento inseguro e/ou perda de controlo da ferramenta.
- **Mantenha cabos afastados da área de trabalho da ferramenta.** Durante o funcionamento, podem haver cabos ocultos nos arbustos que podem ser acidentalmente cortados pela ferramenta.
- **Utilize as ferramentas elétricas apenas com as baterias* especificamente designadas.** A utilização de outras baterias pode criar um risco de lesão e incêndio.
- **Quando não utilizar a bateria, mantenha-a afastada de outros objetos de metal, como cliques de papel, moedas, chaves, pregos, parafusos ou outros pequenos objetos de metal que possam fazer uma ligação entre os dois terminais.** Colocar os terminais da bateria em curto-circuito pode dar origem a queimaduras ou fogo.
- **Sob condições abusivas, pode ser ejetado líquido da bateria; evite o contacto. Se ocorrer contacto acidentalmente, lave com água corrente. Se o líquido entrar em contacto com os olhos, procure ajuda médica.** O líquido ejetado da bateria pode provocar irritação ou queimaduras.
- **Não use a bateria nem a ferramenta se estiverem danificadas ou modificadas.** Baterias danificadas ou modificadas podem apresentar comportamentos imprevisíveis, dando origem a fogo, explosão ou risco de lesões.
- **Não exponha a bateria ou a ferramenta ao fogo ou temperatura excessiva.** A exposição ao fogo ou a temperaturas acima dos 130 °C pode causar uma explosão.
- **Siga todas as instruções de carregamento e não carregue a bateria nem a ferramenta a uma temperatura fora dos parâmetros especificados nas instruções.** Carregar incorretamente ou a temperaturas fora dos parâmetros especificados pode danificar a bateria e aumentar o risco de fogo.

■ AVISOS ADICIONAIS DE SEGURANÇA

TREINO

- Leia as instruções cuidadosamente. Familiarize-se com os controlos e utilização adequada deste equipamento.
- Nunca permita que uma pessoa que não esteja familiarizada ou crianças com estas instruções utilizem o aparelho. As normas locais podem restringir a idade do operador.
- Nunca trabalhe com pessoas, especialmente crianças, ou animais por perto.
- Tenha em mente que o operador ou utilizador é o responsável por acidentes ou riscos provocados a outras pessoas ou à sua propriedade.

PREPARAÇÃO

- Durante o trabalho, utilize sempre calçado forte e calças compridas. Não utilize o equipamento descalço ou de sandálias abertas.

UTILIZAÇÃO E CUIDADOS DA FERRAMENTA COM A BATERIA

- **Recarregue apenas com o carregador especificado pelo fabricante.** Um carregador que seja adequado a um tipo de bateria pode criar um risco de incêndio quando usado com outra bateria.

- Inspeção cuidadosamente a área onde vai usar o equipamento e retire quaisquer objetos que possam ser atirados pela máquina.
- Antes da utilização, inspeção sempre visualmente para ver se as ferramentas não estão gastas ou danificadas. Substitua os elementos gastos ou danificados e os parafusos em conjunto, para manter o equilíbrio.

FUNCIONAMENTO

- Não opere o motor num espaço confinado onde se possam acumular fumos de monóxido de carbono perigosos.
- Trabalhe apenas à luz do dia ou com boa luz artificial.
- Nos locais inclinados, certifique-se sempre do local onde coloca os pés.
- Ande, nunca corra com a máquina.
- Em máquinas com rodas, trabalhe em encostas de lado, nunca de cima para baixo.
- Tenha muito cuidado quando mudar de direção em locais inclinados.
- Não faça trabalhos em encostas excessivamente inclinadas.
- Tenha muito cuidado quando virar ou puxar a máquina na sua direção.
- Não mude as configurações do motor, nem aumente a velocidade do motor.
- Ligue cuidadosamente o motor, de acordo com as instruções do fabricante e com os pés bem afastados da ferramenta.
- Não coloque as mãos ou pés perto ou debaixo das peças rotativas.
- Nunca segure nem transporte a máquina enquanto o motor estiver a funcionar.
- Utilize apenas com as baterias e carregadores listados na imagem A.

OPERAÇÃO NUMA ENCOSTA:

As encostas são um fator importante relacionado com quedas que podem dar origem a lesões severas. Garanta que possui sempre uma base para os pés equilibrada em locais inclinados. O funcionamento em locais inclinados requer um cuidado extremo. Se não se sentir à vontade numa encosta, não use o aparelho aí.

- Tenha cuidado com buracos, sulcos, rochas, objetos escondidos ou altos que possam fazê-lo escorregar ou cair. A relva alta pode ocultar obstáculos.

MANUTENÇÃO

- **A manutenção da sua ferramenta elétrica deverá ser sempre efetuada por pessoas qualificadas, utilizando apenas peças sobresselentes idênticas.** Tal irá assegurar que a segurança da ferramenta elétrica é mantida.
- **Nunca tente reparar uma bateria danificada.** A reparação das baterias só deverá ser efetuada pelo fabricante ou por um reparador autorizado.

⚠ AVISO: Leia todos os avisos de segurança, instruções, ilustrações e especificações fornecidas com esta ferramenta elétrica. Não seguir todas as instruções apresentadas abaixo pode resultar em choque elétrico, incêndio e/ou lesões graves. Guarde todos os avisos e instruções para futuras referências.

GUARDE ESTAS INSTRUÇÕES

ESPECIFICAÇÕES

Largura da aragem	240 mm	
Profundidade da aragem	215 mm	
Tamanho da lâmina	215 mm	
Temperatura de funcionamento	0°C-40°C	
Temperatura de armazenamento	-20°C-70°C	
Peso (incluindo a proteção)	3,9 kg	
Nível de potência do som medido L_{WA}	87,6 dB(A) K=2,02 dB(A)	
Nível da pressão do som na orelha do operador L_{PA}	77,0 dB(A) K=3 dB(A)	
Nível de potência do som garantido L_{WA} (medido de acordo com a norma 2000/14/CE)	90 dB(A)	
Avaliação da vibração a_h :	Pega auxiliar dianteira	0,94 m/s ² K= 1,5 m/s ²
	Pega traseira	1,24 m/s ² K= 1,5 m/s ²

- As definições apresentadas anteriormente são testadas e medidas equipadas com a cabeça motora PH1400E.
- O valor declarado da vibração total foi medido por medido por um método de ensaio normalizado e pode ser usado para comprar uma ferramenta por outra.
- O valor total declarado da vibração também pode ser usado numa avaliação preliminar da exposição.

AVISO: A emissão de vibrações durante a utilização da ferramenta elétrica pode diferir do valor declarado em que a ferramenta é usada. De modo a proteger o utilizador, este deverá usar luvas e proteção auditiva nas condições atuais de utilização.

PT

LISTA DE PEÇAS

NOME DA PEÇA	QUANTIDADE
Acessório da máquina de cultivo	1
Proteção (com parafuso)	1
Chave sextavada	1
Manual de funcionamento	1

DESCRIÇÃO

CONHEÇA A SUA MÁQUINA DE CULTIVO (Imagem A)

1. Tampão da extremidade
2. Eixo do acessório da máquina de cultivo
3. Caixa do carreto
4. Manga
5. Lâminas exteriores
6. Lâminas interiores
7. Cavilha
8. Proteção
9. Chave sextavada

MONTAR

AVISO: Se quaisquer peças estiverem danificadas ou em falta não utilize este produto até as peças serem substituídas. Utilizar este produto com peças danificadas ou em falta pode dar origem a lesões pessoais sérias.

AVISO: Não tente modificar este produto nem criar acessórios que não sejam recomendados para utilizar com o produto. Qualquer alteração ou modificação é considerada uma má utilização e pode dar origem a perigos, que podem levar a possíveis lesões pessoais sérias.

AVISO: Use sempre luvas resistentes quando instalar ou retirar a lâmina ou fazer qualquer manutenção na lâmina. Tenha cuidado com a lâmina e proteja as suas mãos de lesões devido à lâmina.

AVISO: Não ligue a máquina de cultivo à cabeça motora até que a montagem esteja completa. Se o fizer, pode originar um arranque acidental e possíveis lesões pessoais sérias.

MONTAR A PROTEÇÃO

AVISO: Instale a proteção antes de ligar o acessório da máquina de cultivo à cabeça motora.

1. Desaperte e retire o parafuso da proteção com a chave sextavada (Imagem B).
2. Levante o eixo do acessório da máquina de cultivo e retire a tampa do eixo.
3. Alinhe a ranhura na proteção com a aba de metal na extremidade do eixo, passe a proteção pelo eixo até que os orifícios dos parafusos na proteção e na aba de metal fiquem alinhados (Imagem C e D).
4. Use a chave sextavada para apertar o parafuso no sentido dos ponteiros do relógio para fixar bem a proteção.

Imagem D: Descrição das peças apresentada abaixo:

D-1	Parafuso
-----	----------

LIGAR O ACESSÓRIO DA MÁQUINA DE CULTIVO À CABEÇA MOTORA

AVISO: Nunca instale nem ajuste qualquer acessório enquanto a cabeça motora estiver a funcionar ou com a bateria instalada. Falha em parar o motor e retirar a bateria pode causar lesões pessoais sérias.

Este acessório da máquina de cultivo foi criado para ser usado com a cabeça motora EGO PH1400E.

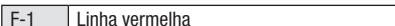
1. Pare o motor e retire a bateria.
2. Desaperte o manipulador de asa no acoplador da cabeça motora.
3. Se o tampão da extremidade estiver no eixo do acessório, retire-o e guarde-o num local seguro para futuras utilizações.

Alinhe a seta no eixo da máquina de cultivo com a seta no acoplador (Imagem E) e empurre o eixo da máquina de cultivo para o acoplador até ouvir um clique (Imagem F).

Imagem E: Descrição das peças apresentada abaixo:

E-1	Botão de libertação do eixo
E-2	Seta no acoplador
E-3	Manipulo de asa
E-4	Seta no eixo de fixação
E-5	Linha vermelha

Imagem F: Descrição das peças apresentada abaixo:



4. Puxe ligeiramente o eixo do acessório da máquina de cultivo para se certificar de que está bem fixado no acoplador. Se não for o caso, rode o eixo da máquina de cultivo para trás e para a frente no acoplador até ouvir um clique, que indica que está fixado.
5. Aperte bem o manípulo de asa.

AVISO: Certifique-se de que o manípulo de asa está completamente apertado antes de utilizar o equipamento. Verifique-o periodicamente quanto ao aperto durante a utilização, para evitar lesões pessoais sérias.

RETIRE O ACESSÓRIO DA CABEÇA MOTORA

1. Pare o motor e retire a bateria.
2. Desaperte o manípulo de asa.
3. Com o botão de libertação do eixo premido, puxe ou torça o eixo do acessório da máquina de cultivo para fora do acoplador para o retirar da cabeça motora.

FUNCIONAMENTO

AVISO: Não deixe que a sua familiaridade com o produto o torne descuidado. Lembre-se, uma fração de segundo de desatenção é suficiente para infligir ferimentos graves.

AVISO: Utilize sempre proteção ocular, juntamente com proteção auricular. Se não o fizer, pode apanhar com objetos nos olhos, dando origem a possíveis lesões sérias.

AVISO: Não utilize quaisquer acessórios para além dos recomendados pelo fabricante deste produto. A utilização de acessórios que não sejam recomendados pode dar origem a lesões pessoais sérias.

APLICAÇÕES

Pode utilizar este produto com os intuitos listados em baixo:

- Lavar o solo do jardim para preparar a plantação de sementes.
- Arar para eliminar ervas daninhas ou libertar o solo em redor das plantas, facilitando a penetração do ar ou água no solo.
- Revestir o solo com adubo, folhas ou outros fertilizadores orgânicos. Arar para libertar o topo do solo e integrar nutrientes.
- Cortar ou abrir sulcos em solo solto.

AVISO: Para evitar danos na máquina de cultivo ou nas árvores, tenha o cuidado de não ficar com as lâminas presas em raízes das árvores. Evite cultivar muito profundamente, pois isso pode danificar as raízes superficiais de algumas plantas.

USAR O ACESSÓRIO DA MÁQUINA DE CULTIVO COM A CABEÇA MOTORA

AVISO: Vista-se adequadamente para reduzir o risco de lesões quando utilizar este aparelho. Não utilize roupa larga ou jóias. Utilize proteção ocular. Utilize calçado de segurança. Utilize calças compridas e resistentes, botas e luvas. Não utilize roupa curta, sandálias nem ande descalço.

Segure a máquina de cultivo com uma mão na pega traseira e a outra mão na pega auxiliar dianteira. Agarre firmemente com ambas as mãos durante a utilização da máquina de cultivo. A máquina de cultivo deve ser segurada numa posição confortável, mantendo a pega traseira sensivelmente à altura da anca.

Mantenha a segurança e equilíbrio em ambos os pés (Imagem G).

Pode trabalhar movendo a máquina de cultivo para a frente ou para trás, da esquerda para a direita, da direita para a esquerda ou num movimento circular. Escolha o melhor método para o seu trabalho, que dependerá da forma e do tamanho da área e das condições do solo.

Trabalhar num movimento alternativo para trás e para a frente é especialmente adequado para libertar solo rijo.

Quando cortar ou abrir sulcos, caminhe lentamente para trás e puxe a máquina de cultivo para criar o sulco. Repita conforme necessário para obter sulcos mais profundos.

AVISO: Puxe a máquina de cultivo cuidadosamente para si enquanto escava o solo para reduzir os seus esforços e facilitar a aragem.

Os materiais atirados podem magoar seriamente o operador ou terceiros. Para reduzir o risco de lesões pessoais, é essencial tomar as seguintes precauções:

- Inspeccione e limpe a área de objetos ocultos, como vidros, pedras, rochas, betão, arames, peças de metal, etc., que podem ser atirados ou ficar presos nas lâminas. Evite o contacto com objetos estranhos duros.

- Inspeccione as lâminas regularmente quanto a sinais de danos ou após bater num objeto duro. Não continue a trabalhar com uma lâmina danificada.
- Segure sempre a máquina de cultivo com ambas as mãos durante a utilização. Segure bem ambas as pegas.
- Mova a máquina de cultivo para a área de trabalho antes de começar, e ligue a máquina de cultivo a baixa velocidade.
- Antes de cada utilização, verifique se existem peças gastas ou danificadas. Verifique as lâminas, proteção e pega auxiliar dianteira e substitua as peças rachadas, torcidas, dobradas ou danificadas de algum modo.

Limpe a máquina de cultivo após cada utilização.

LIGAR/DESLIGAR A FERRAMENTA

Consulte a secção "LIGAR/DESLIGAR A CABEÇA MOTORA" no manual de utilização da cabeça motora PH1400E.

MANUTENÇÃO

AVISO: Quando fizer reparações, utilize apenas peças sobresselentes idênticas. A utilização de outras peças pode constituir um perigo ou provocar danos no produto. Para assegurar a segurança e bom funcionamento, todas as reparações deverão ser efetuadas por um técnico de reparação qualificado.

AVISO: As ferramentas que funcionam a bateria não têm de ser ligadas a uma tomada elétrica; assim, estão sempre em estado de funcionamento. Para evitar lesões pessoais sérias, tenha muito cuidado quando efetuar a manutenção, reparação ou mudança do acessório de corte ou de outros acessórios.

AVISO: Para evitar lesões pessoais sérias, retire a bateria da cabeça motora e espere que todas as lâminas parem por completo antes de efetuar a reparação, limpeza, mudar de acessórios ou quando não utilizar o produto.

AVISO: Use sempre luvas resistentes quando instalar ou retirar a lâmina ou fazer qualquer manutenção na lâmina. Tenha cuidado com a lâmina e proteja as suas mãos de lesões devido à lâmina.

MANUTENÇÃO GERAL

AVISO: Nunca permita que o líquido dos travões, gasolina, produtos à base de petróleo, óleos penetrantes, etc., entrem em contacto com as peças de plástico. Os químicos podem danificar, enfraquecer ou destruir o plástico, o que pode dar origem a lesões pessoais sérias.

AVISO: Quando limpar o acessório da máquina de cultivo, NÃO mergulhe em água ou noutros líquidos. Não limpe com uma máquina de pressão. O jato de água pode danificar as peças da máquina.

- Mantenha todas as porcas e parafusos bem apertados, para se certificar de que o aparelho está em boas condições de funcionamento.
- Para reduzir o risco de incêndio, mantenha o motor, silenciador e compartimento da bateria sem erva ou lubrificante excessivo.
- Para sua segurança, substitua as peças gastas ou danificadas.

MANUTENÇÃO DA LÂMINA

- Proceda à manutenção regular das lâminas com óleo anti-ferrugem.
- Se precisar de substituir alguma lâmina devido ao desgaste, substitua todas as lâminas, para um melhor desempenho.

Todas as reparações na máquina de cultivo, para além dos artigos listados nestas instruções de manutenção, deverão ser efetuadas por pessoal qualificado.

Substitua

A máquina de cultivo tem quatro lâminas: Duas interiores e duas exteriores. Para um funcionamento correto da máquina de cultivo, as lâminas têm de ser instaladas na orientação correta. Os símbolos L (esquerda) e R (direita) encontram-se gravados nas lâminas (Imagem H e I).

Imagem H e I: Descrição das peças apresentada abaixo:

H-1	Eixo secundário	H-7	Cavilha
H-2	Manga interior	I-1	Cavilha
H-3	Manga exterior	I-2	Lâmina exterior com "R" gravado
H-4	Símbolo L	I-3	Lâmina interior com "R" gravado
H-5	Lâmina interior com "L" gravado	I-4	Símbolo R
H-6	Lâmina exterior com "L" gravado		

AVISO: AS LÂMINAS QUE TENHAM OS DENTES VIRADOS EM AMBAS AS DIREÇÕES TÊM DE SER MONTADAS NO INTERIOR, MAIS PERTO DA CAIXA DOS CARRETOS.

1. Use luvas.
2. Coloque a lâmina interior com “L” gravado, com os dentes virados em ambas as direções à esquerda da caixa dos carretos.
3. Coloque a lâmina exterior com “L” gravado (dentes virados apenas num sentido) no mesmo lado, com a manga exterior contra a lâmina interior.
4. Para fixar a lâmina no eixo condutor, insira a cavilha no orifício de fixação 1. Consulte a Imagem J, K, L e N para referência.
5. Vire a ferramenta com a lâmina instalada no chão.
6. Coloque a lâmina interior com “R” gravado, com os dentes virados em ambas as direções à direita da caixa dos carretos.
7. Coloque a lâmina exterior com “R” gravado (dentes virados apenas num sentido) no mesmo lado, com a manga exterior contra a lâmina interior.
8. Para fixar a lâmina no eixo condutor, insira a cavilha no orifício de fixação 1 e rode a cavilha 90°. Consulte a Imagem J, K, L e N para referência.

AVISO: A unidade não funciona corretamente ou pode causar um perigo para o utilizador ou terceiros se as lâminas forem instaladas incorretamente. Se reparar nalgum problema durante o funcionamento da máquina de cultivo, verifique o posicionamento adequado da lâmina.

AS LÂMINAS QUE TENHAM OS DENTES VIRADOS EM AMBAS AS DIREÇÕES TÊM DE SER MONTADAS NO INTERIOR, MAIS PERTO DA CAIXA DOS CARRETOS.

Ajuste

Quando arar numa área confinada ou entre carreiros, a máquina de cultivo pode ser usada apenas com as lâminas interiores instaladas.

Use luvas para retirar as duas cavilhas para retirar as duas lâminas exteriores (Imagem M) e insira as cavilhas nos orifícios de fixação 2 (Imagem N e O).

Imagem N: Descrição das peças apresentada abaixo:

N-1	Manípulo de fixação 1
N-2	Manípulo de fixação 2

AVISO: Não force as lâminas para dentro ou para fora do eixo condutor. Se sentir dificuldades quando retirar as lâminas, aplique algum óleo no eixo. Quando voltar a instalar as lâminas, certifique-se de que limpa e lubrifica o eixo condutor e as lâminas.

LIMPEZA DA UNIDADE

Plantas e raízes podem ficar presas nas lâminas rotativas durante o funcionamento. Para limpar as lâminas rotativas:

- Retirar a bateria.
- Use luvas. Retire as raízes, terra presa ou plantas das lâminas, proteção ou caixa do carreto. Para uma limpeza completa, retire as lâminas e a proteção para as limpar bem. Para passos de substituição detalhados, consulte a secção apresentada anteriormente

“SUBSTITUIR OU AJUSTAR AS LÂMINAS”.

- Limpe a superfície da ferramenta com um pano limpo embebido numa solução neutra de sabão.

GUARDAR A UNIDADE

- Retire a bateria da ferramenta.
- Retire o acessório da máquina de cultivo da cabeça motora e cubra o eixo do acessório com o tampão da extremidade para evitar que a sujidade entre no acoplador.
- Guarde a unidade num local seco e bem ventilado, fora do alcance das crianças. Não armazene a unidade em cima ou perto de fertilizantes, gasolina ou outros químicos.

Proteção do ambiente



PT

Não elimine equipamento elétrico, carregador da bateria e baterias/baterias recarregáveis juntamente com o lixo doméstico comum! De acordo com a norma europeia 2002/19/UE, o equipamento elétrico e eletrônico que deixe de ser usado e de acordo com a norma europeia 2006/66/CE, as baterias gastas ou defeituosas têm de ser recolhidas em separado. Se os equipamentos elétricos forem eliminados em aterros ou lixeiras, substâncias perigosas podem vazarem para os lençóis freáticos e entrar na cadeia de alimentação, danificando a sua saúde e bem-estar.

RESOLUÇÃO DE PROBLEMAS

PROBLEMA	CAUSA	SOLUÇÃO
A máquina de cultivo não arranca.	<ul style="list-style-type: none"> ■ A bateria não foi colocada na cabeça motora. ■ Não existe contacto elétrico entre a cabeça motora e a bateria. ■ A bateria está gasta. ■ alavanca de bloqueio e o gatilho não foram premidos em simultâneo. 	<ul style="list-style-type: none"> ■ Fixe a bateria na cabeça motora. ■ Retire a bateria, verifique os contactos e volte a instalar a bateria no lugar. ■ Carregue a bateria com carregadores EGO listados neste manual. ■ Pressione a alavanca de bloqueio e mantenha pressionada, depois prima o gatilho para ligar a ferramenta.
A máquina de cultivo pára durante a aragem.	<ul style="list-style-type: none"> ■ O motor está sobrecarregado. ■ A bateria está demasiado quente. ■ As lâminas estão obstruídas. ■ A bateria foi retirada da ferramenta. ■ A bateria está gasta. 	<ul style="list-style-type: none"> ■ O motor recupera quando a carga for retirada. Para um trabalho contínuo, diminua a carga na máquina de cultivo e evite arar profundamente. Em vez disso, faça cortes progressivamente mais fundos. ■ Deixe a bateria arrefecer até que a temperatura atinja menos de 67 °C. ■ Retire a bateria da cabeça motora, rode manualmente as lâminas para a frente e para trás para retirar as pedras ou outros obstáculos entre as lâminas ou entre a lâmina e a caixa do carreto. ■ Volte a colocar a bateria. ■ Carregue a bateria com carregadores EGO listados neste manual.

PT

GARANTIA

POLÍTICA DE GARANTIA EGO

Por favor, visite o website egopowerplus.com para saber todos os termos e condições da política de garantia EGO.

LEGGERE TUTTE LE ISTRUZIONI!



LEGGERE E COMPRENDERE LE ISTRUZIONI

⚠️ Rischi residui! Le persone portatrici di dispositivi elettronici, ad esempio pacemaker, devono consultare il proprio medico prima di usare questo prodotto. L'utilizzo di apparecchi elettrici in prossimità di pacemaker cardiaci comporta il rischio di interferenze o malfunzionamento del pacemaker.

⚠️ AVVERTENZA! Per garantire sicurezza e affidabilità, tutte le riparazioni e sostituzioni devono essere eseguite da un tecnico qualificato.

SIMBOLI DI SICUREZZA

Lo scopo dei simboli di sicurezza è attirare l'attenzione dell'operatore su possibili pericoli. I simboli di sicurezza e le relative spiegazioni richiedono la massima attenzione e comprensione da parte dell'operatore. Le avvertenze espresse dai simboli, da sole, non eliminano tutti i rischi. Le istruzioni e le avvertenze non sostituiscono le adeguate misure di prevenzione contro gli incidenti.

⚠️ AVVERTENZA! Accertarsi di aver letto e compreso tutte le istruzioni di sicurezza in questo manuale, inclusi tutti i simboli di avvertenza come "PERICOLO", "AVVERTENZA" e "ATTENZIONE", prima di usare questo apparecchio. Il mancato rispetto di tutte le istruzioni elencate di seguito comporta il rischio di scossa elettrica, incendio e/o lesioni gravi.

SIGNIFICATO DEI SIMBOLI

⚠️ Simbolo di avvertenza di sicurezza: Indica **PERICOLO**, **AVVERTENZA** o **ATTENZIONE**. Può essere usato in combinazione con altri simboli.



⚠️ AVVERTENZA! L'uso di apparecchi elettrici può causare il lancio di oggetti estranei verso l'operatore, con il rischio di gravi lesioni agli occhi. Durante l'uso dell'apparecchio, indossare sempre occhiali protettivi o occhiali di sicurezza con protezioni laterali e, se necessario, una maschera facciale. Si consiglia di indossare una maschera di sicurezza con ampio campo visivo sopra gli occhiali o gli occhiali di sicurezza standard con protezioni laterali.

ISTRUZIONI DI SICUREZZA

Questa pagina illustra e descrive i simboli di sicurezza che possono comparire sul prodotto. Leggere, comprendere e seguire tutte le istruzioni sull'apparecchio prima di tentare di assemblarlo e ripararlo.

	Avvertenza di sicurezza	Indica un potenziale rischio di infortunio.
	Leggere con attenzione questo manuale di istruzioni	Per ridurre il rischio di infortunio, l'utente deve leggere e comprendere tutte le istruzioni prima di usare questo prodotto.
	Indossare dispositivi di protezione per le orecchie	Durante l'uso del prodotto, indossare sempre protezioni per le orecchie.
	Indossare protezioni per gli occhi	Durante l'uso del prodotto, indossare sempre occhiali protettivi o occhiali di sicurezza con protezioni laterali.
	Indossare guanti di sicurezza	Proteggere le mani con i guanti quando si maneggiano le lame. Guanti robusti e antiscivolo migliorano la presa e proteggono le mani dell'operatore.
	Indossare calzature di sicurezza	Indossare calzature di sicurezza antiscivolo durante l'uso di questo apparecchio.
	Rimbalzo	Gli oggetti lanciati possono rimbalzare e causare danni o lesioni.
	Tenere lontani i piedi	Per ridurre il rischio di lesioni da taglio, tenere mani e piedi lontani dalle lame rotanti.
	Tenere lontane le altre persone	Tenere le altre persone a distanza di sicurezza
	CE	Questo prodotto è conforme alle direttive europee applicabili.

	RAEE	I prodotti elettrici non devono essere smaltiti insieme ai rifiuti domestici. Portarli presso un centro di riciclaggio autorizzato.
	Rumore	Livello di potenza sonora garantito.
	Non esporre alla pioggia	Non usare l'apparecchio in caso di pioggia e non lasciarlo all'aperto quando piove.
IPX4	Simbolo IP	Protezione contro l'ingresso di acqua di livello 4
V	Volts	Voltaggio
mm	Millimetro	Lunghezza o dimensioni
kg	Chilogramo	Peso

AVISOS DE SEGURANÇA GERAIS DA FERRAMENTA ELÉTRICA

⚠ AVVERTENZA! Leggere tutte le avvertenze di sicurezza, istruzioni, illustrazioni e specifiche fornite insieme a questo utensile elettrico. Il mancato rispetto delle istruzioni sotto riportate comporta il rischio di scossa elettrica, incendio e/o gravi infortuni.

Conservare tutte le avvertenze e le istruzioni per riferimento futuro.

SICUREZZA DELL'AREA DI LAVORO

- **L'area di lavoro deve essere pulita e ben illuminata. Il disordine e la scarsa illuminazione favoriscono gli incidenti.**
- **Non usare gli utensili elettrici in atmosfere esplosive, ad esempio in presenza di liquidi, gas o polveri infiammabili.** Gli utensili elettrici producono scintille suscettibili di dare fuoco a polveri o vapori.
- **Conservare tutte le avvertenze e le istruzioni per riferimento futuro.**

SICUREZZA ELETTRICA

- **Non esporre gli utensili elettrici a pioggia o umidità.** L'infiltrazione di acqua all'interno degli utensili elettrici aumenta il rischio di scossa elettrica.

SICUREZZA PERSONALE

- **Durante l'uso di un utensile elettrico, prestare sempre la massima attenzione e utilizzare il buon senso. Non usare l'utensile elettrico se si è stanchi o sotto l'effetto di droghe, alcol o medicinali.** Un solo attimo di disattenzione durante l'uso dell'utensile elettrico può provocare gravi infortuni.
- **Indossare dispositivi di protezione individuale.** Se le condizioni lo richiedono, indossare anche maschere antipolveri, calzature antiscivolo, caschi o protezioni per le orecchie per ridurre il rischio di infortunio.
- **Prevenire l'avvio accidentale. Assicurarsi che l'interruttore sia in posizione di spegnimento prima di sollevare, trasportare o collegare l'utensile elettrico al gruppo batteria.** Trasportare un utensile elettrico con il dito sull'interruttore o inserire il gruppo batteria quando l'interruttore è in posizione di accensione favorisce gli incidenti.
- **Rimuovere eventuali chiavi di serraggio prima di accendere l'utensile elettrico.** Una chiave di serraggio rimasta inserita in un elemento mobile dell'utensile elettrico può provocare infortuni.
- **Non sbilanciarsi o sporgersi. Mantenere sempre un buon equilibrio evitando posizioni instabili.** Ciò assicura un miglior controllo dell'utensile elettrico in situazioni impreviste.
- **Vestirsi adeguatamente. Non indossare indumenti ampi o gioielli. Tenere capelli e indumenti lontani dalle parti in movimento.** Indumenti ampi, gioielli o capelli lunghi possono rimanere impigliati nelle parti in movimento.
- **Se sono presenti dispositivi di aspirazione e trattenimento delle polveri, assicurarsi che siano collegati e usati correttamente.** L'uso di tali dispositivi può ridurre i rischi derivanti dalla polvere.
- **Non lasciare che la familiarità con l'apparecchio (derivata da un uso frequente) abbassi il livello di attenzione.** Anche una minima distrazione può causare gravi infortuni.

USO E MANUTENZIONE DELL'UTENSILE ELETTRICO

- **Non forzare l'utensile elettrico. Utilizzare l'utensile più adatto al lavoro da svolgere.** L'utensile elettrico è più sicuro ed efficace se utilizzato alla velocità per la quale è stato progettato.
- **Non utilizzare l'utensile elettrico se l'interruttore non funziona.** Un utensile elettrico che non può essere controllato dall'interruttore è pericoloso e deve essere riparato.

IT

- **Rimuovere il gruppo batteria, se possibile, dall'utensile elettrico e/o attivare eventuali dispositivi di disattivazione della batteria prima di eliminare il materiale incastrato, regolare l'apparecchio, sostituire gli accessori o riporre il prodotto.** Tali misure di sicurezza riducono il rischio di avvio accidentale dell'utensile elettrico.
- **Riporre gli utensili elettrici fuori dalla portata dei bambini e non permetterne l'uso a persone che non hanno familiarità con l'apparecchio o con queste istruzioni.** Gli utensili elettrici sono pericolosi se utilizzati da persone non competenti.
- **Mantenere gli utensili elettrici e gli accessori in buono stato. Verificare che le parti mobili non siano disallineate o piegate, che i componenti non siano danneggiati e che non siano presenti altri problemi che potrebbero pregiudicare il corretto funzionamento dell'utensile elettrico.** Se l'utensile elettrico è danneggiato, farlo riparare prima di utilizzarlo nuovamente. Molti incidenti sono provocati da utensili elettrici in cattive condizioni.
- **Mantenere gli utensili di taglio puliti e affilati.** Un'adeguata manutenzione degli accessori da taglio con bordi affilati riduce l'adesione del materiale alle lame e facilita il controllo dell'utensile elettrico.
- **Usare l'utensile elettrico, gli accessori, le punte ecc. conformemente a queste istruzioni, tenendo conto delle condizioni dell'area di lavoro e del tipo di lavoro da svolgere.** L'uso dell'utensile elettrico per operazioni diverse da quelle per cui è stato progettato costituisce un pericolo.
- **Tenere le impugnature e le superfici di presa asciutte, pulite e prive di olio o grasso.** I manici e le superfici di presa scivolose possono pregiudicare la sicurezza e/o causare la perdita di controllo dell'apparecchio.
- **Tenere i cavi fuori dal raggio d'azione dell'apparecchio.** Durante l'uso, il cavo può nascondersi alla vista ed essere accidentalmente tagliato dalla lama.
- **Quando la batteria non è in uso, tenerla lontana da piccoli oggetti metallici, ad esempio graffette, monete, chiavi, chiodi, viti ecc. poiché potrebbero creare un collegamento tra i due terminali.** Il cortocircuito dei terminali della batteria comporta il rischio di incendio o di ustioni.
- **L'utilizzo improprio dell'utensile elettrico può causare fuoriuscite di liquido dalla batteria: evitare il contatto con tale liquido. In caso di contatto accidentale, lavare con acqua. Se il liquido entra a contatto con gli occhi, contattare un medico.** Il liquido fuoriuscito dalla batteria può causare irritazioni o ustioni.
- **Non usare gruppi batteria o utensili danneggiati o modificati.** Le batterie danneggiate o modificate possono manifestare comportamenti imprevedibili, con il rischio di incendio, esplosione o infortunio.
- **Non esporre il gruppo batteria o l'utensile a fiamme o temperature eccessive.** L'esposizione a fiamme o temperature superiori a 130 °C comporta il rischio di esplosione.
- **Rispettare tutte le istruzioni relative alla ricarica e non ricaricare il gruppo batteria o l'utensile a temperature diverse da quelle specificate nelle istruzioni.** Una ricarica eseguita in modo improprio o a temperature diverse da quelle specificate può danneggiare la batteria e aumentare il rischio di incendio.

Avvertenze di sicurezza aggiuntive

FORMAZIONE ALL'USO

- Leggere attentamente le istruzioni. Familiarizzare con tutti i comandi e l'uso corretto della macchina.
- Non fare mai utilizzare l'apparecchio a bambini o a persone che non conoscono bene come fare funzionare l'apparecchio. Normative locali possono limitare l'uso in base all'età.
- Non usare l'apparecchio se sono presenti persone, soprattutto bambini, o animali nelle vicinanze.
- Tenere presente che l'operatore o utente è responsabile per incidenti o rischi causati ad altre persone o proprietà.

PREPARAZIONE

- Durante l'uso dell'apparecchio, indossare sempre scarpe robuste e pantaloni lunghi. Non usare l'apparecchio a piedi nudi o indossando sandali aperti.
- Ispezionare accuratamente l'area di lavoro e rimuovere eventuali oggetti che potrebbero essere lanciati dall'apparecchio.

USO E MANUTENZIONE DELLA BATTERIA

- **Ricaricare l'utensile elettrico utilizzando esclusivamente il caricabatteria specificato dal costruttore.** Un caricabatteria adatto a un certo tipo di batteria comporta il rischio di incendio se utilizzato con batterie di tipo diverso.
- **Usare esclusivamente gruppi batteria progettati specificamente per questo utensile elettrico.** L'uso di altri gruppi batteria comporta il rischio di incendio e infortunio.

- Prima dell'uso, ispezionare sempre visivamente l'apparecchio per verificare che non sia usurato o danneggiato. In caso di elementi o bulloni usurati o danneggiati, sostituire sempre tutto il gruppo per mantenere l'apparecchio bilanciato.

FUNZIONAMENTO

- Non usare l'apparecchio in un ambiente chiuso, nel quale potrebbero concentrarsi pericolosamente l'anidride carbonica.
- Usare l'apparecchio solo alla luce del giorno o con una buona illuminazione artificiale.
- Puntare bene i piedi sui terreni pendenti.
- Durante l'uso dell'apparecchio, camminare senza correre.
- Quando si utilizzano apparecchi con ruote, lavorare sempre perpendicolarmente alla discesa, mai verso l'alto o verso il basso.
- Prestare particolare attenzione quando si cambia direzione sui terreni pendenti.
- Non utilizzare l'apparecchio se la pendenza del terreno è eccessiva.
- Prestare particolare attenzione quando si inverte la direzione dell'apparecchio o lo si tira verso di sé.
- Non modificare le impostazioni predefinite del motore e non utilizzarlo a una velocità eccessiva.
- Avviare il motore con attenzione secondo le istruzioni del costruttore e con i piedi lontani dall'apparecchio.
- Non posizionare mani o piedi in prossimità o sotto le parti rotanti.
- Non sollevare o trasportare l'apparecchio quando il motore è in funzione.
- Usare esclusivamente con i gruppi batteria e i caricabatteria elencati in fig. A.

USO SU TERRENI PENDENTI

I terreni pendenti hanno un ruolo primario negli incidenti relativi a scivolamenti e cadute, che comportano il rischio di lesioni gravi. Puntare bene i piedi sui terreni pendenti. I lavori su terreni pendenti richiedono estrema cautela. Se ci si sente insicuri su un terreno pendente, non usare l'apparecchio.

- Prestare attenzione a buche, solchi, pietre, oggetti nascosti o protuberanze che possono causare scivolamenti o cadute. L'erba alta può nascondere eventuali ostacoli.

RIPARAZIONI

- **Affidare la riparazione dell'utensile a personale qualificato e utilizzare esclusivamente parti di ricambio identiche** Ciò garantisce la sicurezza dell'utensile elettrico.
- **Non riparare gruppi batteria danneggiati.** La riparazione dei gruppi batteria deve essere effettuata esclusivamente dal fabbricante o da un centro di assistenza autorizzato.

⚠ AVVERTENZA! Leggere tutte le avvertenze di sicurezza, istruzioni, illustrazioni e specifiche fornite insieme a questo utensile elettrico. Il mancato rispetto delle istruzioni sotto riportate comporta il rischio di scossa elettrica, incendio e/o gravi infortuni. Conservare tutte le avvertenze e le istruzioni per futuro riferimento.

CONSERVARE QUESTE ISTRUZIONI!

SPECIFICHE TECNICHE

Larghezza di coltivazione	240 mm	
Profondità di coltivazione	215 mm	
Dimensioni lama	215 mm	
Temperatura di funzionamento	0°C-40°C	
Temperatura di stoccaggio	-20°C-70°C	
Peso (compresa la protezione)	3,9 kg	
Livello di potenza sonora misurato L_{WA}	87,6 dB(A) K=2,02 dB(A)	
Livello di pressione sonora a livello dell'orecchio dell'operatore L_{PA}	77,0 dB(A) K=3 dB(A)	
Livello di potenza sonora garantito L_{WA} (misurazione conforme a 2000/14/EC)	90 dB(A)	
Valore di vibrazioni a_h	Impugnatura ausiliaria anteriore	0,94 m/s ² K= 1,5 m/s ²
	Impugnatura posteriore	1,24 m/s ² K= 1,5 m/s ²

- I parametri sopra riportati sono stati collaudati e misurati in combinazione con la testa motore PH1400E.
- Il valore totale di vibrazioni indicato è stato misurato tramite il metodo di collaudo standard e può essere utilizzato per confrontare l'apparecchio con altri prodotti analoghi.

- Il valore totale di vibrazioni indicato può essere utilizzato anche per una valutazione preliminare dei livelli di esposizione.

NOTA: L'emissione di vibrazioni durante l'uso effettivo dell'apparecchio può variare rispetto al valore indicato in base a come viene utilizzato l'utensile. Per proteggersi, l'operatore deve indossare guanti e dispositivi di protezione per le orecchie in base alle reali condizioni d'uso.

IT

CONTENUTO DELLA CONFEZIONE

DENOMINAZIONE DEL COMPONENTE	QUANTITÀ
Accessorio coltivatore	1
Protezione (con bullone)	1
Brugola	1
Manuale di istruzioni	1

DESCRIZIONE

DESCRIZIONE DELL'APPARECCHIO (Fig. A)

- TAPPO DI CHIUSURA
- Asta dell'accessorio
- Scatola ingranaggi
- Manicotto
- Lame esterne
- Lame interne
- Perno laterale
- Protezione parasassi
- Brugola

ASSEMBLAGGIO

AVVERTENZA! In caso di componenti danneggiati o mancanti, non usare l'apparecchio finché i componenti non vengono sostituiti. L'uso dell'apparecchio con componenti danneggiati o mancanti comporta il rischio di lesioni gravi.

AVVERTENZA! Non tentare di modificare l'apparecchio o creare accessori non raccomandati per l'uso con questo prodotto. Tali alterazioni o modifiche costituiscono un uso improprio e comportano condizioni pericolose e il rischio di lesioni gravi.

AVVERTENZA! Indossare sempre i guanti durante l'installazione o la sostituzione della lama o durante le operazioni di manutenzione della lama. Fare attenzione alla lama e proteggere le mani dal rischio di lesioni.

AVVERTENZA! Non collegare l'unità all'unità motore finché l'assemblaggio non è terminato, per l'avvio accidentale e il rischio di lesioni gravi.

INSTALLAZIONE DELLA PROTEZIONE

AVVERTENZA! Installare la protezione prima di collegare l'accessorio coltivatore all'unità motore.

- Allentare e rimuovere il bullone dalla protezione con la brugola (Fig. B).
- Sollevarlo l'asta dell'accessorio coltivatore e rimuovere il tappo di chiusura dall'asta.
- Allineare la fessura della protezione alla linguetta in metallo sull'estremità dell'asta, fare passare la protezione attraverso l'asta finché i fori delle viti nella protezione e le linguette in metallo sono allineati (Fig. C & D).
- Utilizzare la brugola per svitare il bullone in senso orario, in modo da sbloccare la protezione in modo sicuro.

Descrizione delle parti in Fig. D:

D-1	Bullone
-----	---------

COLLEGAMENTO DELL'ACCESSORIO ALL'UNITÀ MOTORE

AVVERTENZA! Non installare o regolare un accessorio quando l'unità motore è in funzione o con la batteria installata. In caso contrario, sussiste il rischio di lesioni gravi.

Questo accessorio coltivatore è progettato per l'uso con l'unità motore a batteria EGO PH1400E.

- Arrestare il motore e rimuovere il gruppo batteria.
- Allentare la manopola ad aletta sul raccordo dell'unità motore.
- Se il tappo di chiusura è sull'asta, rimuoverlo e riporlo in un luogo sicuro per utilizzarlo in seguito.

Allineare la freccia sull'albero del coltivatore alla freccia sul raccordo (Fig. E) e spingere l'asta del coltivatore nel raccordo fino al clic (Fig. F).

Descrizione delle parti in Fig. E:

E-1	Pulsante di rilascio dell'asta
E-2	Freccia sul raccordo
E-3	Manopola di fissaggio
E-4	Freccia sull'asta dell'accessorio
E-5	Linea rossa

Descrizione delle parti in Fig. F:

F-1	Linea rossa
-----	-------------

4. Tirare leggermente l'asta dell'accessorio per verificare che sia fissata saldamente nel raccordo. In caso contrario, ruotare l'asta del coltivatore avanti e indietro nel raccordo finché il clic non indica che è innestata.
5. Serrare la manopola di fissaggio.

AVVERTENZA! Accertarsi che la manopola di fissaggio sia serrata completamente prima di usare l'apparecchio; controllare periodicamente che sia serrata durante l'uso per evitare lesioni gravi.

RIMOZIONE DELL'ACCESSORIO DALL'UNITÀ MOTORE

1. Arrestare il motore e rimuovere il gruppo batteria.
2. Allentare la manopola di fissaggio.
3. Tenendo premuto il pulsante di rilascio dell'asta, tirare o estrarre l'asta del coltivatore dal raccordo per scollegarla dall'unità motore

FUNZIONAMENTO

AVVERTENZA! La familiarità con questo apparecchio non deve rendere l'operatore disattento. Anche un solo momento di disattenzione comporta il rischio di lesioni gravi.

AVVERTENZA! Indossare sempre protezioni per gli occhi e protezioni per le orecchie. Il mancato rispetto di questa istruzione comporta il rischio di oggetti proiettati verso gli occhi dell'operatore e altre lesioni gravi.

AVVERTENZA! Non usare accessori non raccomandati dal costruttore dell'apparecchio. L'uso di accessori non raccomandati comporta il rischio di lesioni gravi.

DESTINAZIONE D'USO

Questo prodotto può essere usato per gli scopi elencati di seguito.

- Rompere il terreno del giardino per il reimpianto.

- Smuovere il terreno a bassa profondità per estirpare erbacce o smuovere il terreno intorno alle piante, facilitando la penetrazione di aria o acqua in profondità nel suolo.
- Spargere sul terreno compost, foglie o altri fertilizzanti organici. La coltivazione a bassa profondità consente di smuovere la crosta di terreno superiore per aggiungere sostanze nutritive.
- Scavi o solchi nei terreni smossi.

NOTA: per evitare il rischio di danni al coltivatore o alle piante, fare attenzione a non colpire con le lame radici grandi o alberi. Non andare troppo in profondità, perché si potrebbero danneggiare le radici superficiali di alcune piante.

USO DELL'ACCESSORIO COLTIVATORE CON L'UNITÀ MOTORE

AVVERTENZA! Vestirsi adeguatamente per ridurre il rischio di infortunio durante l'uso dell'apparecchio. Non indossare indumenti ampi o gioielli. Indossare protezioni per gli occhi. Indossare scarpe rinforzate. Indossare pantaloni lunghi e pesanti, stivali e guanti. Non indossare pantaloni corti o sandali e non usare l'apparecchio a piedi nudi. Tenere sempre l'apparecchio con una mano sull'impugnatura posteriore e l'altra mano sull'impugnatura ausiliaria anteriore.

Impugnatura. Mantenere una presa salda con entrambe le mani durante l'uso dell'apparecchio. Tenere l'apparecchio in una posizione confortevole con l'impugnatura posteriore all'altezza del fianco.

Mantenere l'impugnatura e l'equilibrio su entrambi i piedi (Fig. G).

È possibile lavorare muovendo il coltivatore in avanti o all'indietro, da sinistra a destra, da destra a sinistra o cerchio. Scegliere il metodo più adatto allo scopo, a seconda della forma e delle dimensioni dell'area e delle condizioni del terreno.

Un movimento alternato avanti e indietro è particolarmente adatto per smuovere il terreno compatto.

Per realizzare scavi o solchi, procedere lentamente all'indietro e tirare il coltivatore per scavare il solco. Ripetere l'operazione per ottenere un solco più profondo.

NOTA: Tirare il coltivatore attentamente verso di sé mentre si scava il terreno per ridurre lo sforzo e rendere più agevole il lavoro.

Le parti lanciate possono ferire gravemente l'operatore o le persone presenti. Per ridurre il rischio di lesioni personali, è essenziale rispettare le precauzioni elencate di seguito.

- Ispezionare ripulire l'area dagli oggetti nascosti, come vetri, pietre, rocce, pezzi di cemento, cavi metallici, pezzi di metallo, ecc., che potrebbero essere lanciati o impigliarsi nelle lame. Evitare il contatto con gli oggetti duri o solidi.
- Ispezionare periodicamente le lame per rilevare eventuali segni di danni oppure dopo avere colpito un oggetto. Interrompere il lavoro se la lama è danneggiata.
- Tenere sempre il coltivatore con entrambe le mani durante l'uso. Tenerlo saldamente per entrambe le impugnature.
- Trasportare il coltivatore nell'area di lavoro prima di accenderlo e avviarlo alla velocità minima.

Prima di ogni utilizzo, verificare che non ci siano componenti danneggiati o usurati. Ispezionare le lame, la protezione e l'impugnatura frontale ausiliaria e sostituire i componenti incrinati, deformati, piegati o danneggiati in qualsiasi modo.

Pulire il coltivatore dopo ogni utilizzo.

AVVIO/ARRESTO DELL'APPARECCHIO

Consultare la sezione "AVVIO/ARRESTO DELL'UNITÀ MOTORE" nel manuale di istruzioni dell'unità motore PH1400E.

MANUTENZIONE

AVVERTENZA! Per la riparazione dell'apparecchio, usare esclusivamente parti di ricambio identiche. L'uso di altre parti di ricambio comporta pericoli o il rischio di danni all'apparecchio. Per garantire sicurezza e affidabilità, tutte le riparazioni e sostituzioni devono essere eseguite da un tecnico qualificato.

AVVERTENZA! Gli apparecchi a batteria non hanno bisogno di essere collegati a un impianto elettrico; pertanto sono sempre in condizioni operative. Per evitare infortuni gravi, prestare particolare attenzione durante le operazioni di manutenzione o riparazione e la sostituzione dell'accessorio di taglio o di altri accessori.

AVVERTENZA! Per evitare il rischio di gravi infortuni, rimuovere il gruppo batteria dall'unità motore e attendere che tutte le lame siano ferme

prima di qualsiasi operazione di riparazione, pulizia, sostituzione di accessori o quando il prodotto non è in uso.

AVVERTENZA! Indossare sempre i guanti durante l'installazione o la sostituzione della lama o durante le operazioni di manutenzione della lama. Fare attenzione alla lama e proteggere le mani dal rischio di lesioni.

MANUTENZIONE GENERALE

AVVERTENZA! Impedire il contatto di liquido per freni, benzina, prodotti a base di petrolio, oli penetranti, ecc. con le parti in plastica. Le sostanze chimiche possono danneggiare, indebolire o distruggere la plastica, comportando il rischio di lesioni gravi.

AVVERTENZA! Durante la pulizia del coltivatore. NON immergerla in acqua o altri liquidi. Non pulire la macchina con idropulitori. Il getto d'acqua potrebbe danneggiare parti della macchina.

- Mantenere tutti i dadi, le viti e i bulloni serrati affinché l'apparecchio funzioni in modo sicuro.
- Per ridurre il rischio di incendio, eliminare il grasso in eccesso dal motore, silenziatore e vano batteria.
- Per motivi di sicurezza, sostituire le parti usurate o danneggiate.

MANUTENZIONE DELLA LAMA

- Trattare periodicamente le lame con olio antiruggine.
- Se è necessario pulire una delle lame a causa dell'usura, sostituire tutte e quattro le lame per garantire prestazioni ottimali.

Tutte le riparazioni diverse da quelle descritte nel presente manuale devono essere eseguite da un tecnico specializzato.

Sostituzione

Il coltivatore ha quattro lame: due interne e due esterne. Per un uso corretto del coltivatore, è necessario che le lame siano orientate correttamente. Sulle lame sono stampati i simboli L (sinistra) e R (destra) (Fig. H & I).

Descrizione delle parti in Fig. H & I:

H-1	Albero condotto	H-7	Perno laterale
H-2	Manicotto interno	I-1	Perno laterale
H-3	Manicotto esterno	I-2	Lama esterna "R"
H-4	Simbolo L	I-3	La interna "R"
H-5	La interna "L"	I-4	Simbolo R
H-6	La esterna "L"		

NOTA: NOTA: LE LAME CON REBBI RIVOLTI IN ENTRAMBE LE DIREZIONI DEVONO ESSERE MONTATE ALL'INTERNO, VICINO ALLA SCATOLA DEGLI INGRANAGGI

1. Indossare i guanti.
2. Installare la lama interna "L" con rebbi rivolti in entrambe le direzioni sulla sinistra della scatola degli ingranaggi.
3. Installare la lama esterna "R" (rebbi rivolti in una sola direzione) sullo stesso lato, con il manicotto esterno contro la lama interna.
4. Per fissare la lama all'albero motore, inserire il perno laterale nel foro di bloccaggio 1. Vedere Fig. J, K, L e N per riferimento.
5. Capovolgere l'apparecchio con la lama installata appoggiata al terreno.
6. Installare la lama interna "R" con i rebbi rivolti in entrambe le direzioni sulla destra della scatola degli ingranaggi.
7. Installare la lama esterna "R" (rebbi rivolti in una sola direzione) sullo stesso lato, con il manicotto esterno contro la lama interna.
8. Per fissare la lama all'albero motore, inserire il perno laterale nel foro di bloccaggio 1, quindi ruotare il perno di 90°. Vedere Fig. J, K, L e N per riferimento.

AVVERTENZA! L'errata installazione delle lame può causare problemi di funzionamento o esporre a rischi l'operatore o le altre persone presenti. Se si nota un problema di funzionamento del coltivatore, controllare la posizione delle lame.

LE LAME CON REBBI RIVOLTI IN ENTRAMBE LE DIREZIONI DEVONO ESSERE INSTALLATE ALL'INTERNO, VICINO ALLA SCATOLA DEGLI INGRANAGGI.

Regolazione

Quando si lavora in un'area ristretta o tra solchi, il coltivatore può essere utilizzato con solo le lame interne.

Indossare guanti e rimuovere i due perni laterali per rimuovere le due lame esterne (Fig. M), quindi inserire i perni laterali nel foro di bloccaggio 2 (Fig. N & O).

Descrizione delle parti in Fig. N:

N-1	Foro di bloccaggio 1
N-2	Foro di bloccaggio 2

NOTA: Non forzare le lame per montarle o smontarle dall'albero motore. In caso di difficoltà nel rimuovere le lame, applicare olio lubrificante sull'albero. Prima di reinstallare le lame, assicurarsi di pulire e oliare l'albero motore e le lame stesse.

PULIZIA DELL'APPARECCHIO

Alcune parti delle piante, come le radici, possono avvolgersi strettamente intorno alle lame rotanti o incastrarsi tra le stesse durante l'uso dell'apparecchio. Per pulire le lame rotanti:

- Rimuovere la batteria.
- Indossare guanti. Eliminare le radici, la terra o le piante dalle lame, la protezione o la scatola degli ingranaggi. Per una pulizia accurata, rimuovere le lame e la protezione e lavarle a fondo. Per informazioni dettagliate sulla sostituzione, consultare la sezione seguente.

"SOSTITUZIONE O REGOLAZIONE DELLE LAME".

- Pulire la superficie dell'apparecchio con un panno pulito inumidito con acqua saponata.

CONSERVAZIONE DELL'APPARECCHIO

- Rimuovere il gruppo batteria dall'apparecchio.
- Rimuovere l'accessorio coltivatore dall'unità motore e coprire l'asta dell'accessorio con il tappo, per evitare l'infiltrazione di sporcizia nel raccordo.
- Conservare l'apparecchio in un luogo asciutto, ben ventilato e fuori dalla portata dei bambini. Non conservare l'apparecchio sopra o in prossimità di fertilizzanti, benzina o altre sostanze chimiche.

Protezione dell'ambiente



IT

Non smaltire gli apparecchi elettrici, caricabatteria e batterie/batterie ricaricabili insieme ai rifiuti indifferenziati! Conformemente alle direttive europee 2012/19/EU e 2006/66/CE, i rifiuti di apparecchiature elettriche ed elettroniche, pile e accumulatori devono essere raccolti separatamente e smaltiti nel rispetto dell'ambiente. Se gli apparecchi elettrici vengono smaltiti nelle discariche, le sostanze pericolose possono infiltrarsi nelle falde acquifere e contaminare la catena alimentare, con effetti dannosi sulla salute e il benessere.

RISOLUZIONE DEI PROBLEMI

PROBLEMA	CAUSA	SOLUZIONE
L'apparecchio non si avvia.	<ul style="list-style-type: none"> ■ Il gruppo batteria non è installato correttamente sull'unità motore. ■ Nessun contatto elettrico tra l'unità motore e il gruppo batteria. ■ Il gruppo batteria è scarico. ■ La leva di sbloccaggio e l'interruttore a grilletto non sono stati premuti contemporaneamente. 	<ul style="list-style-type: none"> ■ Installare il gruppo batteria sull'unità motore. ■ Rimuovere la batteria, ispezionare i contatti e reinstallare il gruppo batteria nella sua sede. ■ Ricaricare il gruppo batteria con i caricabatteria EGO elencati in questo manuale. ■ Tenere premuta la leva di sbloccaggio contemporaneamente all'interruttore a grilletto per avviare l'utensile.
L'apparecchio si spegne durante l'uso.	<ul style="list-style-type: none"> ■ Il motore è sovraccarico. ■ Il gruppo batteria è troppo caldo. ■ Le lame sono bloccate. ■ Il gruppo batteria è scollegato dall'apparecchio. ■ Il gruppo batteria è scarico. 	<ul style="list-style-type: none"> ■ Il motore si riavvierà alla rimozione del carico. Per un uso continuo, ridurre il carico ed evitare le lavorazioni in profondità; praticare tagli progressivamente sempre più profondi. ■ Attendere che la temperatura del gruppo batteria o dell'unità motore scenda al di sotto di 67°C. ■ Rimuovere manualmente la batteria dall'unità motore, quindi ruotare manualmente le lame avanti e indietro per rimuovere le pietre o gli altri ostacoli presenti tra le lame o tra la lame e la scatola degli ingranaggi. ■ Reinstallare il gruppo batteria. ■ Ricaricare il gruppo batteria con i caricabatteria EGO elencati in questo manuale.

IT

GARANZIA

CONDIZIONI DELLA GARANZIA EGO

Visitare il sito web egopowerplus.com per consultare le condizioni complete della garanzia EGO.

LEES ALLE INSTRUCTIES!



LEES EN BEGRIJP DE GEBRUIKERSHANDLEIDING

⚠ Restrisico! Personen met elektronische apparaten, zoals pacemakers, moeten eerst hun art(sen) raadplegen voordat ze dit product mogen gebruiken. De werking van een elektrisch apparaat in de nabijheid van een pacemaker kan een storing of defect aan de pacemaker veroorzaken.

⚠ WAARSCHUWING: Om een continue veiligheid en betrouwbaarheid te waarborgen, dienen alle reparaties en vervangingen van onderdelen uitgevoerd te worden door een vakbekwame reparateur.

VEILIGHEIDSSYMBOLEN

Het doel van de veiligheidssymbolen is om u te wijzen op mogelijke gevaren. Besteed daarom voldoende aandacht hieraan en begrijp de veiligheidssymbolen en bijbehorende uitleg. De symboolwaarschuwingen op zich elimineren geen enkel gevaar. De gegeven instructies en waarschuwingen gelden niet als vervanging voor gepaste voorzorgsmaatregelen tegen ongevallen.

⚠ WAARSCHUWING: Lees en begrijp alle veiligheidsinstructies die in deze gebruikershandleiding zijn vermeld, waaronder alle veiligheidssymbolen zoals "**GEVAAR**", "**WAARSCHUWING**", en "**OPGELET**" voordat u dit apparaat in gebruik neemt. Het negeren van onderstaande instructies kan leiden tot elektrische schokken, brand en/of ernstig persoonlijk letsel.

BETEKENIS VAN DE SYMBOLEN

⚠ Veiligheids-waarschuwingssymbool: Geeft **GEVAAR**, **WAARSCHUWING** of **OPGELET** aan. Kan worden gebruikt in combinatie met andere symbolen of pictogrammen.



⚠ WAARSCHUWING! Het gebruik van een elektrisch gereedschap kan leiden tot het rondslingeren van vreemde voorwerpen die in uw ogen kunnen terechtkomen. Dit kan leiden tot ernstig oogletsel. Wanneer u elektrisch gereedschap gebruikt, zorg er dan voor dat u altijd een veiligheidsbril (met zijkusschermen) of een gelaatsscherm draagt. We bevelen aan om een gelaatsscherm over uw bril of standaard veiligheidsbril met zijkusschermen te gebruiken.

VEILIGHEIDSVOORSCHRIFTEN

Deze pagina toont en beschrijft alle veiligheidssymbolen die zich op dit product kunnen bevinden. Lees, begrijp en volg alle instructies op de machine voordat u deze in elkaar zet en gebruikt.

	Veiligheids-waarschuwing	Geeft een risico op persoonlijk letsel aan.
	Lees & begrijp de gebruiksaanwijzing	De gebruiker dient de gebruikershandleiding voor het gebruik van dit product te lezen en te begrijpen om risico op letsel te beperken.
	Draag gehoorbescherming	Draag altijd gehoorbescherming wanneer u dit product gebruikt
	Draag oogbescherming	Draag altijd een afsluitende veiligheidsbril of een veiligheidsbril met zijkusschermen als u dit product gebruikt.
	Draag beschermende handschoenen	Bescherm uw handen met handschoenen bij de omgang met de messen. Robuuste, niet glijdende handschoenen verbeteren uw grip en beschermen uw handen.
	Draag veiligheidschoenen	Draag slipvrije veiligheidsschoenen als u dit apparaat gebruikt.

	Afketsen	Rondvliegende voorwerpen kunnen terugkaatsen wat tot persoonlijk letsel en materiële schade kan leiden.
	Houd uw voeten uit de buurt	Om het risico op snijwonden te verminderen, dient u voeten uit de buurt van de roterende messen te houden.
	Houd omstanders uit de buurt	Houd omstanders op een veilige afstand
	CE	Dit product is in overeenstemming met de EG-richtlijnen.
	WEEE	Gooi elektrisch afval niet via het huishoudelijk afval weg. Breng het naar een geautoriseerd recyclingbedrijf.
	Geluid-niveau	Gewaarborgd geluidsvermogensniveau.
	Niet aan regen blootstellen	Gebruik het apparaat niet in de regen en laat het tevens niet buiten achter als het regent.
IPX4	IP symbool	Bescherming tegen het binnendringen van water klasse 4
V	Volt	Spanning
mm	Millimeter	Lengte of afmeting
kg	Kilogram	Gewicht

ALGEMENE VEILIGHEIDSWAARSCHUWINGEN VOOR ELEKTRISCH GEREEDSCHAP

⚠ WAARSCHUWING! Lees alle veiligheidswaarschuwingen, instructies, illustraties en specificaties die met het elektrisch gereedschap zijn meegeleverd. Het negeren van onderstaande instructies kan leiden tot een elektrische schok, brand en/of ernstig letsel.

Bewaar alle waarschuwingen en instructies voor latere raadpleging.

VEILIGHEID OP DE WERKPLAATS

- Houd uw werkplaats schoon en goed verlicht.

Rommelige of donkere ruimten kunnen ongevallen veroorzaken.

- **Gebruik geen elektrisch gereedschap in explosieve ruimten, bijvoorbeeld in de aanwezigheid van ontvlambare vloeistoffen, gassen of stof.** Elektrisch gereedschap creëert vonken, deze kunnen stof of dampen in brand steken.
- **Houd kinderen en omstanders uit de buurt wanneer u een elektrisch gereedschap bedient.** Aflleiding kan tot controleverlies leiden.

ELEKTRISCHE VEILIGHEID

- **Stel elektrisch gereedschap niet bloot aan regen of vochtige omstandigheden.** Water dat elektrisch gereedschap binnendringt, vergroot het risico op elektrische schokken.

PERSOONLIJKE VEILIGHEID

- **Wees waakzaam, let op wat u doet en gebruik uw gezond verstand wanneer u elektrisch gereedschap gebruikt.** Gebruik het elektrisch gereedschap niet als u moe bent of onder de invloed bent van drugs, alcohol of medicijnen. Een moment van onoplettendheid tijdens de werking van het elektrisch gereedschap kan leiden tot ernstig persoonlijk letsel.

- **Draag altijd een persoonlijke beschermingsuitrusting.** Beschermingsmiddelen zoals oogbescherming, een stofmasker, slipvastе werkschoenen, veiligheidshelm en/of gehoorbescherming afhankelijk van de aard en het gebruik van het gereedschap verkleint het risico op persoonlijk letsel.
- **Vermijd dat het gereedschap per ongeluk wordt gestart.** Zorg ervoor dat de schakelaar is ingesteld op de uit-positie voordat u het gereedschap op de accu aansluit, vastneemt of draagt. Het dragen van elektrisch gereedschap met uw vinger op de schakelaar of gereedschap ingeschakeld op de stroomvoorziening aansluiten kan ongevallen veroorzaken.

- **Verwijder instelsleutels of moersleutels voordat u het elektrisch gereedschap inschakelt.** Een instelsleutel of moersleutel in een bewegend deel van het elektrisch gereedschap kan leiden tot persoonlijk letsel.
- **Reik niet te ver. Zorg er altijd voor dat u stevig en stabiel staat.** Dit zorgt ervoor dat u het elektrisch gereedschap in onverwachte situaties beter onder controle kunt houden. **Draag passende kleding.** Draag geen los hangende kleding of sieraden. **Houd uw haar en kleding uit de buurt van bewegende onderdelen.** Los hangende kleding, sieraden en lang haar kunnen in bewegende onderdelen verstrikt raken.

- **Wanneer de montage van stofafzuigings- of stofopvangvoorzieningen mogelijk is, dient u ervoor te zorgen dat deze juist aangesloten en gebruikt worden.** Het gebruik van een stofopvang kan helpen om het risico in verband met stof te verlagen.
- **Word niet zelfingenomen door de ervaring die u heeft opgedaan door frequent gebruik, waardoor u dan de veiligheidswaarschuwingen negeert.** Een achteloze actie kan binnen een fractie van een seconde ernstig letsel veroorzaken.

NL

ELEKTRISCH GEREEDSCHAP GEBRUIKEN EN ONDERHOUDEN

- **Overbelast het elektrisch gereedschap niet. Gebruik het juiste elektrisch gereedschap voor uw toepassing.** Met het juiste elektrisch gereedschap werkt u beter en veiliger binnen het aangegeven capaciteitsbereik.
- **Gebruik het elektrisch gereedschap niet als de schakelaar niet kan worden in- en uitgeschakeld.** Elektrisch gereedschap dat niet kan worden in- of uitgeschakeld is gevaarlijk en moet worden gerepareerd.
- **Verwijder het accupack, indien verwijderbaar, van het elektrisch gereedschap en/of activeer een accu-uitschakelinstallatie voordat u vastgelopen materiaal verwijdert, eventuele aanpassingen uitvoert, accessoires wisselt, reinigt, of het elektrisch gereedschap opbergt.** Deze preventieve voorzorgsmaatregelen beperken het risico op onbedoeld starten van het elektrisch gereedschap.
- **Berg niet-gebruikt gereedschap op buiten het bereik van kinderen en zorg ervoor dat personen die niet vertrouwd zijn met het gereedschap of die deze instructies niet hebben gelezen het gereedschap niet gebruiken.** Elektrisch gereedschap is gevaarlijk wanneer deze door onervaren personen worden gebruikt.
- **Onderhoud van elektrisch gereedschap en accessoires. Controleer of de bewegende onderdelen correct functioneren en niet vastklemmen en of de onderdelen zodanig gebroken of beschadigd zijn dat de werking van het elektrisch gereedschap nadelig wordt beïnvloed.** Laat beschadigde onderdelen repareren voordat u het elektrisch gereedschap gebruikt. Vele ongevallen zijn het gevolg van slecht onderhouden elektrisch gereedschap en toebehoor.
- **Houd de snij-onderdelen scherp en schoon.** Zorgvuldig onderhouden snij-onderdelen met scherpe snijkanten klemmen minder snel vast en zijn gemakkelijker te bedienen.
- **Gebruik het elektrisch gereedschap, accessoires en inzetgereedschappen etc. in overeenstemming met deze instructies en houd rekening met de werkomstandigheden en de uit te voeren werkzaamheden.** Het gebruik van elektrische gereedschap voor andere dan de voorziene toepassingen kan tot gevaarlijke situaties leiden.
- **Houd de handvatten en greepvlakken droog, schoon en vrij van olie en smeervet.** Gladde grepen en grijppoppervlakken kunnen leiden tot onveilige omgang en/of verlies van controle over het elektrisch gereedschap.
- **Houd kabels uit de buurt van het werkgebied van het gereedschap.** Tijdens het gebruik kan de stroomkabel verborgen worden en per ongeluk beschadigd raken door het elektrisch gereedschap.

ACCUGEREEDSCHAP GEBRUIKEN EN ONDERHOUDEN

- **Laad alleen op met de lader die door de fabrikant is gespecificeerd.** Een lader die geschikt is voor één type van accupack kan tot brandgevaar leiden wanneer gebruikt met een andere accupack.
- **Gebruik elektrisch gereedschap alleen met de specifiek vermelde accupacks.** Het gebruik van andere accupacks kan risico op letsel en brandgevaar veroorzaken.
- **Wanneer u het accupak niet gebruikt, houd het uit de buurt van andere metalen voorwerpen zoals paperclips, muntstukken, sleutels, spijkers, schroeven of andere kleine metalen voorwerpen die de twee aansluitklemmen kunnen verbinden.** Het kortsluiten van de aansluitklemmen van de accu kan brandwonden of brand veroorzaken.
- **Bij verkeerd gebruik kan er vloeistof uit de accu worden gespoten; vermijd elk contact. Als aanraking met de vloeistof toevallig plaatsvindt, dient u het met water af te spoelen. Als de vloeistof in de ogen komt dient u onmiddellijk een arts te consulteren.** Vloeistof dat uit de accu wordt gespoten kan irritaties of brandwonden veroorzaken.
- **Gebruik geen accupack of gereedschap dat is beschadigd of aangepast.** Beschadigde of aangepaste accu's kunnen resulteren in onvoorzien gedrag zoals brand, explosie of het risico op letsel.
- **Stel een accupack of gereedschap niet bloot aan vuur of excessieve temperaturen.** Blootstelling aan vuur of temperaturen boven 130 °C kunnen leiden tot een explosie.

- **Neem alle laad instructies in acht en laad het accupack of gereedschap niet buiten het gespecificeerde temperatuurbereik in de handleiding op.** Het onjuist laden of bij een temperatuur buiten het temperatuurbereik kan de accu beschadigen en er bestaat een gevaar op brand.

ANDERE VEILIGHEIDSWAARSCHUWINGEN

TRAINING

- Lees de instructies aandachtig door. Maak u vertrouwd met de bedieningsknoppen en het juiste gebruik van de machine.
- Kinderen of personen die de instructies niet kennen mogen dit apparaat niet gebruiken. De lokale wetgeving kan de leeftijd van de bediener begrenzen.
- Werk nooit als zich mensen, in het bijzonder kinderen of huisdieren, in de buurt bevinden.
- Onthoud dat de bediener of gebruiker verantwoordelijk is voor ongevallen of gevaren die zich bij ander personen of hun eigendommen voordoen.

VOORBEREIDING

- Tijdens het werk dient u altijd gepast schoeisel en een lange broek te dragen. Gebruik het gereedschap nooit met blote voeten of sandalen.
- Controleer het gebied waar u het gereedschap wilt gebruiken en verwijder alle voorwerpen die langs het elektrisch gereedschap kunnen worden weggeslingerd.
- Controleer voor gebruik altijd visueel of het elektrisch gereedschap niet versleten of beschadigd is. Vervang versleten of beschadigde onderdelen en moeren als set om de balans te behouden.

GEBRUIK

- Gebruik de motor niet in een besloten ruimte waar zich gevaarlijke koolmonoxidedampen kunnen verzamelen
- Werk alleen bij daglicht of voldoende kunstmatig licht
- Let op uw houding als u het gereedschap op hellingen gebruikt
- Wandel, ren nooit met het elektrisch gereedschap.
- Voor elektrisch gereedschap met wielen dient u zijdelings op de hellingen te werken, nooit naar boven en beneden.
- Wees erg voorzichtig als u van richting verandert op een helling.
- Werk niet op extreem steile hellingen.
- Wees zeer voorzichtig als u draait of het gereedschap in uw richting trekt.
- Verander de instellingen van de motorregelaar niet en zorg ervoor dat de snelheid van de motor niet buiten de grenzen ligt.

- Start de motor voorzichtig volgens de instructies van de fabrikant en met de voeten ver weg van het elektrisch gereedschap.
- Houd uw handen en voeten uit de buurt van de draaiende onderdelen.
- Til gereedschap nooit op en draag het niet als de motor is ingeschakeld.
- Gebruik alleen met in afb. A vermelde accupacks en opladers.

GEBRUIK OP EEN HELLING:

Hellingen zijn een belangrijke factor bij ongevallen waarbij men uitglijdt en valt. Deze kunnen in ernstig letsel resulteren. Let op uw houding als u het apparaat op hellingen gebruikt. U dient extra alert te zijn als u het apparaat op een helling gebruikt. Werk niet op een helling, als u zich niet op uw gemak voelt.

- Let op gaten, sporen, stenen, verborgen voorwerpen, of bobbels die ertoe kunnen leiden dat u uitglijdt of struikelt. In hoog gras kunnen zich obstakels verbergen.

REPARATIES

- **Laat uw elektrisch gereedschap repareren door een gekwalificeerde reparateur en alleen met identieke reserve-onderdelen.** Dit waarborgt de veiligheid van het elektrisch gereedschap.
- **Repareer nooit een beschadigde accu** Reparatie van accu's mag alleen worden uitgevoerd door de fabrikant of een erkend servicecentrum.

⚠ WAARSCHUWING: Lees alle veiligheidswaarschuwingen, instructies, illustraties en specificaties die met het elektrisch gereedschap zijn meegeleverd. Het niet opvolgen van de waarschuwingen en instructies kan leiden tot elektrische schokken, brand en/of ernstig letsel. Bewaar alle waarschuwingen en instructies voor toekomstig gebruik.

BEWAAR DEZE GEBRUIKSAANWIJZING!

SPECIFICATIES

Breedte bewerken	240 mm	
Diepte bewerken	215 mm	
Blad grootte	215 mm	
Bedrijfstemperatuur	0°C-40°C	
Opslagtemperatuur	-20°C-70°C	
Gewicht (inclusief de bescherming)	3,9 kg	
Gemeten geluidsvermogensniveau L_{WA}	87,6 dB(A) K=2,02 dB(A)	
Geluidsdruk niveau aan oor van de bediener L_{PA}	77,0 dB(A) K=3 dB(A)	
Gewaarborgd geluidsvermogensniveau L_{WA} (gemeten conform 2000/14/EC)	90 dB(A)	
Inschatting van de vibratie a_v :	Voorste handvat	0,94 m/s ² K= 1,5 m/s ²
	Achterste handvat	1,24 m/s ² K= 1,5 m/s ²

- De bovengenoemde parameters werden getest en gemeten met de basis machine PH1400E.
- De opgegeven totale vibratiewaarde is gemeten volgens de standaard testmethode en kan worden gebruikt om het elektrisch gereedschap met een ander elektrisch gereedschap te vergelijken;
- De opgegeven totale trillingswaarde kan tevens worden gebruikt in een voorafgaande beoordeling op blootstelling.

OPMERKING: OPMERKING: De vibratie-afgifte tijdens het werkelijk gebruik van het elektrisch gereedschap kan verschillen van de opgegeven totale waarde; Om de bediener te beschermen dient de bediener tijdens het gebruik handschoenen en gehoorbescherming te dragen.

INHOUD VAN DE VERPAKKING

NAAM ONDERDEEL	AANTAL
Cultivator toebehoor	1
Bescherming (met bout)	1
Binnenzeskantsleutel	1
Gebruikershandleiding	1

BESCHRIJVING

KEN UW CULTIVATOR (afb. 4)

1. Einddop
2. Cultivator toebehoorschacht
3. Versnellingsbak
4. Mouw
5. Buitenste bladen
6. Binnenste bladen
7. Koppelpen
8. Scherm
9. Binnenzeskantsleutel

MONTAGE

⚠ WAARSCHUWING: Als er onderdelen beschadigd zijn of ontbreken, gebruik dit product niet totdat alle onderdelen vervangen of aanwezig zijn. Dit product gebruiken met beschadigde of ontbrekende onderdelen kan ernstig persoonlijk letsel veroorzaken.

⚠ WAARSCHUWING: Probeer niet om dit product aan te passen of accessoires te maken die niet voor gebruik met dit product zijn aanbevolen. Een dergelijke aanpassing of wijziging is misbruik en kan leiden tot gevaar en een ernstig persoonlijk letsel.

⚠ WAARSCHUWING: Draag altijd stevige handschoenen als u het mes installeert of verwijderd of als u het mes onderhoudt. Wees voorzichtig bij het mes en bescherm uw handen tegen letsel door het mes.

⚠ WAARSCHUWING: Sluit de cultivator niet aan op de motorkop totdat u klaar bent met de montage. Het niet in acht nemen kan resulteren in het onbedoeld starten en mogelijk ernstig persoonlijk letsel

HET SCHERM MONTEREN

⚠ WAARSCHUWING: Installeer de bescherming voordat het cultivator toebehoor aansluit op de motorkop.

1. Maak de bout los en verwijder deze van de bescherming met behulp van de binnenzeskantsleutel (afb. B).
2. Til de as van het cultivator toebehoor op en verwijder de einddop van de as.
3. Lijn de gleuf in de beschermkap uit met het metalen lipje aan het uiteinde van de as, leid de bescherming door de as totdat de schroefgaten in de bescherming en in de metalen lip zijn uitgelijnd (afb. C & D).

4. Gebruik de binnenzeskantsleutel om de bout met de klok mee vast te draaien om de bescherming veilig te vergrendelen.

Afb. D beschrijving van de onderdelen zie beneden:

D-1	Bout
-----	------

AANSLUITEN VAN HET CULTIVATOR TOEBEHOOR OP DE MOTORKOP

⚠ WAARSCHUWING: Bevestig of pas het toebehoor nooit aan terwijl de motorkop loopt of de accu is geïnstalleerd. Het niet stoppen van de draaiende motor of het niet verwijderen van de accu kan ernstig persoonlijk letsel veroorzaken.

Dit cultivator toebehoor is ontworpen voor het gebruik met de EGO motorkop PH1400E.

1. Stop de motor en verwijder het accupack
2. Draai de knevel op de motorkop-koppeling los.
3. Als de eindop zich op de bevestigingsas bevindt, verwijder deze dan en bewaar hem op een veilige plaats voor later gebruik.

Breng de pijl op de as van de cultivator in één lijn met de pijl op de koppeling (afb. E) en druk de as van de cultivator in de koppeling totdat u een "KLIK" hoort (afb. F). Afb. E beschrijving van de onderdelen zie beneden:

E-1	Asvrijgaveknop
E-2	Pijl op de koppeling
E-3	Knevel
E-4	Pijl op de toebehooras
E-5	Rode lijn

Afb. F beschrijving van de onderdelen zie beneden:

F-1	Rode lijn
-----	-----------

4. Trek lichtjes aan de as van het cultivator toebehoor om te controleren dat deze correct is bevestigd op de koppeling. Als dit niet het geval is, draait u de as van de cultivator heen en weer in de koppeling totdat een duidelijk "KLIK"-geluid aangeeft dat deze is vergrendeld.
5. Bevestig de knevel correct.

⚠ WAARSCHUWING: Controleer of de knevel op de koppeling helemaal is vastgedraaid voordat u het elektrisch gereedschap in gebruik neemt; controleer regelmatig de bevestiging tijdens het gebruik om ernstig persoonlijk letsel te voorkomen.

HET TOEBEHOOR VAN DE MOTORKOP VERWIJDEREN

1. Stop de motor en verwijder het accupack.
2. Maak de knevel los.
3. Met de ontgrendelknop van de as ingedrukt, trekt of draait u de as van het cultivator toebehoor uit de koppeling om deze van de motorkop te verwijderen

BEDIENING

⚠ WAARSCHUWING: Vertrouwdheid kan leiden tot onvoorzichtigheid. Opgelet, één seconde van onvoorzichtigheid kan ernstig letsel teweegbrengen.

⚠ WAARSCHUWING: Draag altijd oogbescherming, samen met gehoorbescherming. Het niet dragen van deze beschermingsuitrusting kan ertoe leiden dat voorwerpen in uw ogen terechtkomen of kan een ander ernstig letsel veroorzaken.

⚠ WAARSCHUWING: Gebruik geen opzetstukken of toebehoren die niet door de fabrikant van dit product zijn aanbevolen. Het gebruik van niet aanbevolen opzetstukken of toebehoren kan leiden tot ernstig persoonlijk letsel.

APPLICATIES

U kunt dit product gebruiken voor onderstaand vermeld doeleinde:

- Tuingrond los maken om zaaibedden klaar te maken voor herbeplanting.
- Ondiep cultiveren om onkruid te onwortelen of grond rond planten los te maken, waardoor het gemakkelijker wordt voor de lucht of het water om diep in de grond te dringen.
- Het afdekken van de bodem met compost, bladeren of andere organische meststoffen. Ondiepe cultivatie zal de bovenste laag van de bodem losmaken en de toegevoegde voedingsstoffen vermengen.
- Sleuven graven of graven in losgemaakte grond.

OPMERKING: Om schade aan de cultivator of bomen te voorkomen, moet u ervoor zorgen dat de messen niet tegen grote wortels van bomen kunnen komen. Vermijd te diep cultiveren, omdat dit de ondiepe wortels van sommige planten kan beschadigen.

GEBUIKEN VAN HET CULTIVATOR TOEBEHOOR MET DE MOTORKOP

⚠ WAARSCHUWING: Draag gepaste kleding om het risico op letsel tijdens gebruik van dit gereedschap te beperken. Draag geen los hangende kleding of juwelen. Draag oogbescherming. Draag veiligheidsschoenen. Draag een stevige lange broek, laarzen en handschoenen. Draag geen korte broek of sandalen of ga niet blootsvoets. Houd de cultivator met één hand op het achterste handvat en de andere hand op het voorste ondersteunende handvat vast. Houd de cultivator tijdens het gebruik stevig vast met beide handen. De cultivator dient op een prettige manier te worden vastgehouden met het achterste handvat ongeveer op heuphoogte.

Houd uw greep en het evenwicht op beide voeten (afb. G).

U kunt werken door de cultivator naar voren of naar achteren, van links naar rechts, van rechts naar links, of in een cirkelvormige beweging te bewegen. Kies de beste methode die bij uw doel past, afhankelijk van de vorm en grootte van het gebied en de bodemgesteldheid.

Het werken in een afwisselende voor- en achterwaartse beweging is bijzonder geschikt om vaste grond los te maken.

Tijdens het sleuven graven of graven, loopt u langzaam achteruit en trekt aan de cultivator om de sleuf te trekken. Herhaal indien nodig om diepere sleuven te trekken.

OPMERKING: Als u de cultivator voorzichtig naar u toe trekt terwijl deze in de grond graaft, wordt uw inspanning minder en wordt het sleuven trekken eenvoudiger.

Weggeslingerd materiaal kan ernstig letsel bij de gebruiker of omstanders veroorzaken. Om het risico op persoonlijk letsel te beperken, neem de volgende voorzorgsmaatregelen:

- Inspecteer en ontdoe het gebied van verborgen voorwerpen zoals glas, stenen, rotsen, beton, afsteringsdraad, stukken metaal, enz. die in de bladen kunnen worden gegooid of verstrikt kunnen raken. Vermijd contact met harde of vaste vreemde voorwerpen.
- Inspecteer de bladen regelmatig en vaak op tekenen van schade of na het raken van een hard voorwerp. Werk niet verder met een beschadigd mes.
- Houd de cultivator altijd met beide handen vast tijdens het werken. Gebruik een stevige grip op beide handvatten.

- Verplaats de cultivator naar het werkgebied voordat u begint en start de cultivator met een lagere snelheid.

Voor elk gebruik controleren op beschadigde en/of versleten onderdelen. Controleer de messen, scherm en voorste handvat en vervang alle onderdelen die gebarsten, scheef getrokken, gebogen of op enige manier beschadigd zijn.

Maak de cultivator na elk gebruik schoon

HET GEREEDSCHAP STARTEN/STOPPEN

Zie hoofdstuk “STARTEN/STOPPEN VAN DE MOTORKOP” in de gebruiksaanwijzing van de motorkop PH1400E.

ONDERHOUD

⚠ WAARSCHUWING: Bij reparatie mag u uitsluitend identieke reserveonderdelen gebruiken. Het gebruik van andere onderdelen kan gevaar opleveren of schade aan het product veroorzaken. Laat alle reparaties uitvoeren door een vakbekwame reparateur om een continue veiligheid en betrouwbaarheid te waarborgen.

⚠ WAARSCHUWING: Accugereedschap moet niet op een stopcontact worden aangesloten en is daarom altijd gereed voor gebruik. Om ernstig persoonlijk letsel te voorkomen, neem extra voorzorgsmaatregelen wanneer u het snijelement of andere accessoires onderhoudt, reinigt of wijzigt.

⚠ WAARSCHUWING: Om ernstig persoonlijk letsel te voorkomen, verwijdert u het accupack uit de motorkop en wacht u totdat alle messen zijn gestopt voordat u onderhoud pleegt, reinigt of accessoires vervangt of wanneer het product niet in gebruik is.

⚠ WAARSCHUWING: Draag altijd stevige handschoenen als u het mes installeert of verwijdert of als u het mes onderhoudt. Wees voorzichtig bij het mes en bescherm uw handen tegen letsel door het mes.

ALGEMEEN ONDERHOUD

⚠ WAARSCHUWING: Zorg dat remvloeistoffen, benzine, producten op basis van aardolie, oliën, etc. op geen enkel moment in aanraking komen met de kunststof onderdelen. Chemicaliën kunnen de kunststof onderdelen beschadigen, verzwakken of vernietigen en ernstig persoonlijk letsel veroorzaken.

⚠ WAARSCHUWING: Als u de cultivator reinigt, dompel hem dan NIET in water of andere vloeistoffen. Maak uw gereedschap niet schoon met een hogedrukreiniger. De stevige waterstraal kan onderdelen van het gereedschap beschadigen.

- Zorg dat alle moeren, bouten en schroeven altijd stevig vastgedraaid zijn en dat het gereedschap zich in een veilige staat van werking bevindt.
- Houd de motor, geluiddemper, accuvak vrij van vegetatief materiaal en overtollig vet om het brandgevaar te verminderen.
- Vervang versleten of beschadigde onderdelen uit veiligheidsoverwegingen.

ONDERHOUD VAN HET MES

- Onderhoud de messen regelmatig met roestwerende olie.
- Als een van de messen moet worden vervangen vanwege slijtage, vervangt u alle vier de messen voor de beste prestaties.

Al het onderhoud aan de cultivator, behalve het onderhoud dat in de gebruiksaanwijzing wordt genoemd, dient door een geautoriseerde onderhoudsmonteur te worden uitgevoerd.

Vervangen

De cultivator heeft vier messen - twee binnenste messen en twee buitenste messen. Voor een correcte werking van de cultivator moeten de messen in de juiste richting worden geïnstalleerd. Symbolen L en R zijn op de messen gestempeld (afb. H & I).

Afb. H&I beschrijving van de onderdelen zie beneden:

H-1	Aandrijfas	H-7	Koppelpen
H-2	Binnenste mouw	I-1	Koppelpen
H-3	Buitenste mouw	I-2	Buitenste mes gestempeld "R"
H-4	Symbool L	I-3	Binnenste mes gestempeld "R"
H-5	Binnenste mes gestempeld "L"	I-4	Symbool R
H-6	Buitenste mes gestempeld "L"		

OPMERKING: DE MESSEN HEBBEN TANDEN DIE IN BEIDE RICHTINGEN WIJZENMOET AAN DE BINNENZIJDE WORDEN GEMONTEERD, DICHT BIJ DE VERSNELLINGSBAK

1. Draag handschoenen.
2. Plaats het binnenste mes met de stempel "L", met de tanden naar beide kanten gericht, links van de versnellingsbak.

3. Plaats het buitenste mes met de stempel "L", (tanden wijzen maar naar één kant) aan dezelfde kant. met de buitenste mouw tegen het binnenste mes.
4. Om het mes aan de aandrijfas te bevestigen, steekt u de koppelpen in het vergrendelingsgat-1. Zie afb. J, K, L en N ter referentie.
5. Draai het gereedschap met het geïnstalleerde mes om, waarbij het mes op de grond ligt.
6. Plaats het binnenste mes met de markering "R" met tanden in beide richtingen, rechts van de versnellingsbak.
7. Plaats het buitenste mes met de stempel "R", (tanden wijzen maar naar één kant) aan dezelfde kant. met de buitenste mouw tegen het binnenste mes.
8. Om het mes aan de aandrijfas te bevestigen, steekt u de koppelpen in het vergrendelingsgat-1 en draai de koppelpen vervolgens 90°. Zie afb. J, K, L en N ter referentie.

⚠ WAARSCHUWING: Het gereedschap werkt niet naar behoren of kan gevaar voor de bediener of omstanders opleveren als de messen niet juist zijn geïnstalleerd. Als u een probleem bemerkt met de cultivatiebewerking van het gereedschap, dient u te controleren of de messen goed geplaatst zijn.

DE MESSEN DIE TANDEN HEBBEN DIE IN BEIDE RICHTINGEN WIJZEN MOETEN OP DE BINNENKANT WORDEN GEMONTEERD, HET DICHTSTBIJ BIJ DE VERSNELLINGSBAK.

Aanpassen

Bij het bewerken van een besloten ruimte of tussen rijen, mag de cultivator worden gebruikt met alleen de binnenste messen geïnstalleerd.

Draag handschoenen en verwijder de twee koppelpennen om de twee buitenste messen te verwijderen (afb. M) en steek vervolgens de koppelpennen in het vergrendelingsgat-2 (afb. N & O).

Afb. N beschrijving van de onderdelen zie beneden:

N-1	Vergrendelingsgat-1
N-2	Vergrendelingsgat-2

OPMERKING: Forceer de messen niet op of van de aandrijfas. Als u problemen ondervindt bij het verwijderen van de messen, breng dan wat kruipolie aan op de as. Zorg er bij het opnieuw installeren van de messen voor dat u de aandrijfas en de messen schoonmaakt en van olie voorziet.

HET APPARAAT SCHOONMAKEN

Delen van planten, zoals wortels, kunnen tijdens het werken strak rond of tussen de roterende messen worden gewikkeld. Om de roterende messen schoon te maken:

- Verwijder de accu.
- Draag handschoenen. Verwijder de stukken wortels, vastzittende aarde of planten van het mes, de beschermkap of de versnellingsbak. Voor een grondige reiniging, verwijder de messen en bescherming om ze grondig te wassen. Raadpleeg het bovenstaande gedeelte voor gedetailleerde stappen voor de vervanging

NL

“DE MESSEN AANPASSEN OF VERVANGEN”.

- Veeg het oppervlak van het gereedschap schoon met een vochtige doek en een mild zeepsopje

HET APPARAAT OPBERGEN

- Verwijder het accupack uit het gereedschap.
- Verwijder het cultivator toebehoor van de motorkop en steek de eindop op het uiteinde van de toebehooras om te voorkomen dat de koppeling vies wordt.
- Berg het elektrisch gereedschap op in een droge, goed geventileerde omgeving buiten het bereik van kinderen. Berg het apparaat niet op in de buurt van meststoffen, benzine of andere chemicaliën.

Het milieu beschermen



Gooi geen elektrische apparaten, acculaders en accu's/oplaadbare batterijen met het huisafval weg! Elektrische en elektronische apparaten, in overeenstemming met de Europese wet 2012/19/EG, en defecte of verbruikte accupacks/batterijen, in overeenstemming met 2006/66/EG, moeten afzonderlijk worden ingezameld. Als elektrische apparaten op een stortterrein of vuilnisbelt terechtkomen, kunnen gevaarlijke stoffen in het grondwater lekken en in de voedselketen komen wat schadelijk is voor uw gezondheid en welzijn.

PROBLEEMOPLOSSING

PROBLEEM	OORZAAK	OPLOSSING
De cultivator start niet.	<ul style="list-style-type: none"> ■ Het accupack is niet goed aangesloten op de motorkop. ■ Er is geen elektrisch contact tussen de motorkop en het accu pack. ■ Het accupack is leeg. ■ De ontgrendelingshendel en schakelaar worden niet gelijktijdig gedrukt. 	<ul style="list-style-type: none"> ■ Sluit het accupack aan op de motorkop. ■ Verwijder de accu, controleer de contacten en plaats het accupack terug zodat het vast klikt. ■ Laad het accupack op met een EGO oplader die in de lijst in deze gebruiksaanwijzing wordt genoemd. ■ Druk op de ontgrendelingshendel en houd deze ingedrukt, druk vervolgens op de schakelaar om het elektrisch gereedschap in te schakelen.
De cultivator stopt tijdens het trekken van sleuven.	<ul style="list-style-type: none"> ■ De motor is overbelast. ■ Het accupack is te warm. ■ De messen zitten klem. ■ Het accupack is niet aangesloten op het gereedschap ■ Het accupack is leeg 	<ul style="list-style-type: none"> ■ De motor start weer als de belasting is verdwenen. Voor ononderbroken werk, verminder de belasting op de cultivator en vermijd het te diep trekken van sleuven; maak in plaats daarvan geleidelijk dieper wordende sleuven. ■ Laat het accupack of het gereedschap afkoelen totdat de temperatuur lager is dan 67°C. ■ Verwijder de accu van de motorkop, draai de messen met de hand naar voren en terug om stenen of andere obstakels tussen de messen of tussen het mes en de versnellingsbak te verwijderen. ■ Plaats het accupack terug. ■ Laad het accupack op met een EGO oplader die in de lijst in deze gebruiksaanwijzing wordt genoemd.

NL

GARANTIE

EGO GARANTIEVOORWAARDEN

Bezoek onze website egopowerplus.com voor alle voorwaarden van de EGO garantie.

LÆS ALLE ANVISNINGER!



LÆS & FORSTÅ BRUGSANVISNING

⚠ Særlig risiko! Folk med elektroniske anordninger, såsom pacemakere, bør spørge deres læge til råds, før de bruger dette produkt. Betjening af elektrisk udstyr i umiddelbar nærhed af en pacemaker kan forårsage forstyrrelser eller svigt af pacemakeren.

⚠ ADVARSEL: For at sikre sikkerhed og pålidelighed, bør alle reparationer og udskiftninger udføres af en kvalificeret servicetekniker.

DK

SIKKERHEDSSYMBOLER

Formålet med sikkerhedssymboler er at gøre dig opmærksom på mulige farer. Du bør være meget opmærksom på sikkerhedssymbolerne og forklaringer til dem og lære at forstå dem. Symboladvarslere fjerner ikke i sig selv eventuelle farer. Anvisningerne og advarslerne er ingen erstatning for korrekte forebyggelsesforanstaltninger mod ulykker.

⚠ ADVARSEL: Sørg for at læse og forstå alle sikkerhedsanvisninger i denne brugsanvisning, inklusive alle sikkerhedssymboler, såsom "FARE", "ADVARSEL" og "FORSIGTIG", før du bruger dette værktøj. Hvis du ikke følger advarslere og anvisninger, kan det resultere i elektrisk stød, brand og/eller alvorlig personskade.

SYMBOLBETYDNING

⚠ Symbol for sikkerhedsadvarsel: Angiver **FARE, ADVARSEL ELLER FORSIGTIG**. Kan anvendes sammen med andre symboler eller piktogrammer.



⚠ ADVARSEL! Når elværktøjer bruges, er der altid en risiko for at genstande slynges ind i øjnene, som kan føre til alvorlige øjenskader. Inden værktøjet tages i brug, skal brugeren altid bære beskyttelsesbriller eller beskyttelsesbriller med sideskærm, eller en fuld ansigtsskærm, hvis nødvendigt. Vi anbefaler at brugeren bære en fuld ansigtsskærm over briller eller beskyttelsesbriller med sideskærm.

SIKKERHEDSANVISNINGER

Denne side viser og beskriver sikkerhedssymboler, der kan forekomme på dette produkt. Læs, forstå, og følg alle anvisninger på apparatet, før du forsøger at samle og betjene det.

	Sikkerhedsvarsel	Angiver en potentiel fare for personskade.
	Læs og forstå brugsanvisningen	For at nedsætte risikoen for personskade, skal brugeren læse og forstå brugsanvisningen, før dette produkt tages i brug.
	Brug hørevern	Brug altid hørevern, når dette produkt bruges.
	Bær beskyttelsesbriller	Sørg altid for at bære beskyttelsesbriller eller sikkerhedsbriller med sideskærme, når dette produkt bruges.
	Brug beskyttelseshandsker	Beskyt dine hænder med handsker, når klingerne håndteres. Kraftige, skridsikre handsker forbedrer dit greb og beskytter dine hænder.
	Brug sikkerhedscho	Brug skridsikre sikkerhedscho, når du bruger dette udstyr.
	Vildtfarende smågenstande	Vildtfarende smågenstande kan slynges ud og føre til personskader eller materielle skader.
	Hold fødderne på afstand	For at reducere risikoen for at skære sig, skal fødderne holdes væk fra de drejende klinger.
	Hold omkringstående på afstand	Hold omkringstående på sikker afstand
	CE	Dette produkt er i overensstemmelse med gældende EU-direktiver.

	WEEE	Affald fra elektriske produkter bør ikke bortskaffes sammen med husholdningsaffald. Bring det til en godkendt genbrugsplads.
	Støj	Garanteret lydniveau.
	Må ikke udsættes for regn	Må ikke anvendes i regnvejrer eller efterlades udendørs, mens det regner.
IPX4	IP-symbol	Beskyttelse mod indtrængen af vand grad 4
V	Volt	Spænding
mm	Millimeter	Længde eller størrelse
kg	Kg	Vægt

GENERELLE SIKKERHEDSADVARSLER OM ELEKTRISKE APPARATER

⚠ ADVARSEL! Læs alle sikkerhedsadvarsler, instruktioner, billeder og specifikationer, der følger med dette elværktøj. Hvis anvisningerne nedenfor ikke følges, kan det føre til elektrisk stød, brand og/eller alvorlig personskade.

Gem alle advarsler og instruktioner til fremtidig reference.

SIKKERHED I ARBEJDSOMRÅDET

- **Sørg for, at arbejdsområdet er rent og godt belyst.** Et rodet eller mørkt område kan føre til ulykker.
- **Brug ikke elværktøj i eksplosive atmosfærer, såsom ved tilstedeværelse af brændbare væsker, gasser eller støv.** Elværktøj skaber gnister, der kan antænde støv eller dampe.
- **Hold børn og tilskuere på afstand, når et elværktøj er i brug.** Distractioner kan få dig til at miste kontrollen.

SIKKERHED OMKRING ELEKTRICITET

- **Elværktøj må ikke udsættes for regn eller våde forhold.** Hvis der kommer vand ind i et elværktøj, øges risikoen for elektrisk stød.

PERSONLIG SIKKERHED

- **Vær forsigtig, hold øje med hvad du laver, og brug din sunde fornuft, når du bruger et elværktøj. Brug ikke et elværktøj, hvis du er træt eller under indflydelse af narkotika, alkohol eller medicin.** Et øjeblik uopmærksomhed under arbejdet med elværktøj kan føre til alvorlige personskader.
- **Brug altid personlige værnemidler.** Personlige værnemidler som støvmasker, skridsikker sikkerhedssko, hjelm og høreværn, der bruges under relevante forhold, reducerer risikoen for personskader.
- **Undgå, at apparatet startes ved et uheld. Sørg for, at tænd/sluk-knappen er slukket, inden batteriet sættes i, og inden værktøjet løftes op eller bæres rundt.** Hvis elværktøjer bæres med fingeren på kontakten, eller oplades med tænd/sluk-knappen tændt, øger det risikoen for ulykker.
- **Fjern evt. justeringsnøgler eller skruenøgler, inden elværktøjet tændes.** Hvis en skruenøgle eller nøgle efterlades på en drejende del på elværktøjet, kan det føre til personskader.
- **Undgå at række for langt ud. Sørg for at stå ordentligt fast og i god balance.** Dette giver bedre kontrol over elværktøjet i uventede situationer.
- **Brug det rigtige tøj. Brug ikke løstsiddende tøj eller smykker. Hold hår og tøj fra bevægelige dele.** Løstsiddende tøj, smykker eller langt hår kan komme i klemme i bevægelige dele.
- **Hvis der monteres tilbehør til indsamling af støv eller andet, skal du sørge for at disse monteres og bruges korrekt.** Brug af støvindsamlingsenheder, kan reducere støv-relaterede risici.
- **Selvom du ofte bruger og har et godt kendskab til værktøjer, må du ikke være overmodig eller glemme sikkerhedsprincipperne.** En uagtsom handling kan forårsage alvorlig skade i en brøkdæl af et sekund.

BRUG OG PLEJE AF ELVÆRKTØJET

- **Elværktøjet må ikke tvinges under brug. Brug det rigtige elværktøj til formålet.** Det korrekte elværktøj gør arbejdet bedre og er mere sikkert ved den effekt, det er beregnet til.
- **Brug ikke elværktøjet, hvis kontakten ikke kan tænde og slukke.** Alt elværktøj, hvor kontakterne ikke dur, er farligt og skal repareres.
- **Fjern batteriet, hvis aftagelig, fra elværktøjet, og/eller aktivér enheder, der slukker for batteriet, før du fjerner fastsiddende materiale, foretager justeringer, udskifter tilbehør, rengør elværktøj eller gemmer det væk.** Sådanne sikkerhedsforanstaltninger reducerer risikoen for at værktøjet starter ved et uheld.

DK

- **Opbevar ubenyttet elværktøj utilgængeligt for børn, og tillad ikke personer, der ikke kender elværktøjet eller disse anvisninger, at benytte elværktøjet.**

Elværktøj er farligt i hænderne på brugere, der ikke kender dets rette brug.

- **Elværktøj og deres tilbehør skal vedligeholdes. Kontroller, at de bevægelige dele ikke er fejljusterede eller binder eller er i en tilstand, der kan påvirke elværktøjets drift.** Hvis elværktøjet beskadiges, skal det repareres før brug. Mange ulykker skyldes dårligt vedligeholdt elværktøj og tilbehør.
- **Sørg for at holde skæreværktøjer skarpe og rene.** Skæreværktøjer med skarpe kanter, der vedligeholdes ordentligt, er mindre tilbøjelige til at binde og er lettere at styre.
- **Elværktøj, tilbehør og bits osv. skal bruges i overensstemmelse med disse instruktioner under hensyntagen til arbejdsforholdene og arbejdet, der skal udføres.** Hvis elværktøjet bruges til andet end det, som det er beregnet til, kan det føre til farlige situationer.
- **Hold håndtag og gribeblader tørre, rene og fri for olie og fedt.** Glatte håndtag og gribeblader kan føre til farlig håndtering og/eller tab af kontrol af værktøjet.
- **Hold ledningerne væk fra værktøjets arbejdsområde.** Under drift kan kablet være ude af syne og kan utilsigtet blive beskadiget af værktøjet.

BATTERIVÆRKTØJETS BRUG OG PLEJE

- **Genoplad kun med den oplader, der er angivet af fabrikanten.** En oplader, der er velegnet til én type batteripakke, kan øge risikoen for brand, når den bruges med en anden batteripakke.
- **Elværktøjer må kun bruges med batteripakker, der er beregnet til dem.** Brug af andre batteripakker kan skabe risiko for personskade og brand.
- **Når batteripakken ikke er i brug, skal den holdes væk fra andre metalgenstande, såsom papirclips, mønter, nøgler, søm, skruer eller andre små metalgenstande, der kan kortslutte polerne.** Hvis batteripolerne kortsluttes, kan det føre til forbrændinger eller brand.
- **Ved forkert anvendelse kan der slippe væske ud af batteriet: Undgå kontakt. Kommer man uheldigvis i kontakt med væsken: Skyl med vand. Hvis væsken kommer i øjnene, skal man også søge læge.** Væskesprøjt fra batteriet kan forårsage irritation eller forbrændinger.
- **Brug ikke en batteripakke eller et værktøj, som er beskadiget eller modificeret.** Beskadigede eller modificerede batterier kan opføre sig uforudsigeligt og forårsage brand, eksplosion eller risiko for personskade.

- **En batteripakke eller et værktøj må ikke udsættes for brand eller for høj temperatur.** Udsættelse for brand eller temperatur over 130 °C kan føre til eksplosion.
- **Følg alle anvisninger vedrørende opladning, og oplad ikke batteriet eller værktøjet uden for temperaturområdet angivet i anvisningerne.** Forkert opladning eller i temperaturer uden for det angivne område kan beskadige batteriet og øge risikoen for brand.

ANDRE SIKKERHEDSADVARSLER

OPLÆRING

- Læs instruktionerne omhyggeligt. Gør dig bekendt med styreknapperne, og hvordan maskinen bruges ordentligt.
- Lad aldrig personer, der ikke kender disse anvisninger, eller børn til at bruge apparatet. Lokale bestemmelser kan begrænse brugerens alder.
- Maskinen må ikke bruges, hvis der er børn eller kæledyr i nærheden.
- Husk at brugeren er ansvarlig for eventuelle ulykker eller farer for andre personer eller deres ejendom.

FORBEREDELSE

- Når maskinen bruges, skal brugeren altid bruge passende fodtøj og langbukser. Maskinen må ikke bruges med bare fødder eller med åbne sandaler på.
- Undersøg grundigt området, hvor udstyret skal bruges, og fjern alle genstande, der kan slynges væk af maskinen.
- Se altid maskinen efter for slid og skader inden brug. Udskift slidte eller beskadigede dele og bolte i sæt, for at bevare balancen.

BETJENING

- Motoren må ikke bruges i lukkede rum, hvor farligt carbonmonoxid kan samle sig
- Maskinen må kun bruges i dagslys eller i stærk kunstigt lys.
- Sørg altid for, at have et godt fodfæste på skråninger.
- Gå - løb aldrig med maskinen.
- Hvis du bruger drejemaskiner med hjul på skråninger, skal du køre langs skråningen, og ikke op og ned ad skråningen.
- Vær forsigtig, når du vender retning på en skråning.
- Undgå, at bruge maskinen på meget stejle skråninger.
- Vær meget forsigtig, når du kører baglæns eller trækker maskinen mod dig selv.
- Lav ikke om på motorregulatorens indstillinger. Lad ikke motoren køre hurtigere end specificeret.

- Start forsigtigt motoren i henhold til producentens anvisninger, og med fødderne godt væk fra værktøjet.
- Dine hænder eller fødder må ikke komme i nærheden af eller under drejende dele.
- Maskinen må aldrig løftes eller bæres, når motoren kører.
- Produktet må kun bruges med batteripakkerne og opladerne, der står på listen i fig. A

BRUG AF APPARATET PÅ EN SKRÅNING:

Skråninger er en væsentlig faktor i forbindelse med glide- og faldulykker, hvilket kan føre til alvorlige skader. Sørg altid for, at have et godt fodfæste på skråninger. Hvis apparatet bruges på skråninger, bedes du være yderst forsigtig. Hvis du ikke har ordentlig fodfæste på skråningen, skal du ikke bruge apparatet.

- Hold øje med huller, riller, klipper, skjulte genstande eller bump, som du kan glide på eller falde over. Genstande og forhindringer kan være skjult i højt græs.

SERVICE

- **Dit elværktøj skal repareres af en kvalificeret person, og der må kun bruges identiske reservedele.** På denne måde sørger man for, at elværktøjet forbliver sikkert at bruge.
- **Forsøg aldrig at reparere beskadigede batterier.** Batteripakker må kun repareres af producenten og autoriserede serviceudbydere.

⚠ ADVARSEL: Læs alle sikkerhedsadvarsler, instruktioner, billeder og specifikationer, der følger med dette elværktøj. Hvis anvisningerne nedenfor ikke følges, kan det føre til elektrisk stød, brand og/eller alvorlig personskade. Gem alle advarsler og instruktioner til fremtidig reference.

GEM DISSE ANVISNINGER!

SPECIFIKATIONER

Gravebredde	240 mm
Gravedybde	215 mm
Klingestørrelse	215 mm
Driftstemperatur	0°C-40°C
Opbevaringstemperatur	-20°C-70°C
Vægt (med skærm)	3,9 kg
Målt lydeffektniveau L_{WA}	87,6 dB(A) K=2,02 dB(A)

Lydtrykniveau ved brugerens øre L_{pA}	77,0 dB(A) K=3 dB(A)	
Garanteret lydeffekt L_{WA} (målt i henhold til 2000/14/EF)	90 dB(A)	
Vibrationsværdi a_h	Forreste hjelpehåndtag	0,94 m/s ² K= 1,5 m/s ²
	Bageste håndtag	1,24 m/s ² K= 1,5 m/s ²

- Ovenstående parametre er blevet testet og målt under anvendelse af motordel PH1400E.
- Den samlede værdi af angivne vibrationer er målt i overensstemmelse med en standardiseret prøvningsmetode og kan anvendes til at sammenligne et værktøj med et andet;
- Den angivne samlede vibrationsstyrke kan også bruges i en foreløbig vurdering af eksponeringen.

BEMÆRK: Vibrationsemissionen under brug af elværktøjet kan afvige fra den angivne værdi, hvor værktøjet blev brugt. For at beskytte brugeren, skal vedkommende bruge handsker og høreværn under de faktiske

PAKKELISTE

Delens navn	Antal
Kultivator-tilbehør	1
Skærm (med bolt)	1
Unbrakonøgle	1
Operator's Manual	1

BESKRIVELSE

KEND DIN KULTIVATOR (fig. A)

1. ENDEDÆKSEL
2. Kultivatorens monteringsaksel
3. Gearkasse
4. Muffe
5. Ydre klinge
6. Indre klinge
7. Låsestift
8. Skærm
9. Unbrakonøgle

DK

MONTERING

⚠ ADVARSEL: Hvis der er dele, der er beskadigede eller mangler, anvendes apparatet ikke, før delene er udskiftet. Brug af dette produkt med beskadigede eller manglende dele kan medføre alvorlig personskade.

⚠ ADVARSEL: Forsøg ikke at ændre dette produkt eller fremstille tilbehør, der ikke anbefales til brug med dette produkt. Enhver sådan ændring eller modifikation er misbrug og kan resultere i en farlig situation og føre til eventuel alvorlig personskade.

DK

⚠ ADVARSEL: Brug altid kraftige handsker, når klingens sættes på og fjernes, og når der udføres vedligeholdelsesarbejde på den. Vær forsigtig med klingens, og beskyt dine hænder, så du ikke skærer dig på klingens.

⚠ ADVARSEL: Forbind ikke kultivatoren til motordelen, før den er samlet helt. Manglende overholdelse af anvisningerne kan føre til utilsigtet igangsætning og risiko for alvorlig personskade.

MONTERING AF SKÆRMEN

⚠ ADVARSEL: Monter skærmen, før kultivatoren-tilbehøret forbindes til motordelen.

1. Løsn og fjern boltens på skærmen med unbraconøglen (fig. B).
2. Løft kultivatoren monteringsakslen, og fjern dækslet for enden af akslen.
3. Sørg for, at rillen på skærmen passer med metaltappen for enden af akslen. Sæt skærmen på akslen, indtil skruehullerne på skærmen og i metaltappen passer med hinanden (fig. C & D).
4. Brug unbraconøglen til at stramme boltens med uret, og spænd skærmen ordentligt fast.

Se beskrivelsen af delene i fig. nedenfor:

D-1	Bolt
-----	------

MONTERING AF KULTIVATOR-TILBEHØRET PÅ MOTORDELEN

⚠ ADVARSEL: Tilbehør må aldrig monteres eller tilpasses, mens motordelen kører, eller når batteriet sidder i apparatet. Hvis motoren ikke standses og batteriet ikke fjernes, kan det føre til alvorlig personskade.

Dette kultivator-tilbehør er beregnet til brug med EGO motordel PH1400E.

1. Stop motoren, og fjern batteripakken.
2. Løsn vingemøtrikken på motordelens kobling.
3. Hvis endedækslet er på monteringsakslen, skal du fjerne det og gemme det på et sikkert sted til senere brug.

Sørg for, at pilen på kultivatorakslen passer med pilen på koblingen (fig. E), og tryk derefter kultivatorakslen ind i koblingen, indtil du hører en tydelig "KLIKLYD" (fig. F).

Se beskrivelsen af delene i fig. E nedenfor:

E-1	Knap til frigørelse af akslen
E-2	Pil på koblingen
E-3	Vingemøtrik
E-4	Pil på tilbehørsakslen
E-5	Rød linje

Se beskrivelsen af delene i fig. F nedenfor:

F-1	Rød linje
-----	-----------

4. Træk let i kultivatorakslen for at sikre, at den sidder fast i koblingen. Hvis ikke, skal du dreje kultivatorakslen frem og tilbage i koblingen, indtil du hører en tydelig "KLIKLYD", hvilket betyder at den er låst fast.
5. Spænd vingemøtrikken.

⚠ ADVARSEL: Sørg for, at vingemøtrikken er spændt ordentligt, inden udstyret bruges. Kontroller regelmæssigt at den er spændt under brug, for at undgå alvorlig personskade.

AFTAGNING AF TILBEHØRET PÅ MOTORDELEN

1. Stop motoren, og fjern batteripakken.
2. Løsn vingemøtrikken.
3. Tryk på akseludløserknappen, og træk eller drej kultivatorakslen ud af koblingen, for at tage den af motordelen

BETJENING

⚠ ADVARSEL: Selvom du kender dette produkt, så bliv ikke skødesløs. Husk, at skødesløshed i en brøkdelt af et sekund kan forvolde betydelig personskade.

⚠ ADVARSEL: Brug altid sikkerhedsbriller samt høreværn. Hvis disse ikke bruges, kan du få genstande slynget i øjnene, og der kan også opstå andre alvorlige skader.

⚠ ADVARSEL: Anvend ikke tilbehør eller påmonteringer, der ikke anbefales af fabrikanten af dette produkt. Brug af tilbehør eller påmonteringer, der ikke anbefales, kan forårsage alvorlig personskade.

ANVENDELSER

Du kan bruge dette produkt til de formål, der er nævnt nedenfor:

- Til at rive havejord op, som forberedelse til såning af afgrøder.
- Til at kultivere og opdrive ukrudt eller løsne jord omkring planter, så luft og vand lettere kan trænge ned i jorden.
- Til at lægge kompost, blade eller andre organiske gødninger på jorden. Overfladisk kultivering løsner jordens øverste lag, og integrere de tilsatte næringsstoffer.
- Til at grave eller fure i løsnet jord.

BEMÆRK: For at undgå skade på kultivatoren eller træerne, skal du undgå at klingerne rammer større træerødder. Undgå at grave for dybt, da det kan beskadige planterødder, der ikke ligger dybt i jorden.

BRUG AF KULTIVATOR-TILBEHØRET MED MOTORDELEN

⚠ ADVARSEL: Brug rigtig påklædning for at mindske risikoen for skader, når du betjener dette værktøj. Bær ikke løst tøj eller smykker. Brug beskyttelsesbriller Brug sikkerhedssko Brug kraftige, lange bukser, støvler og handsker. Gå ikke i korte bukser, sandaler eller på bare fødder.

Hold altid kultivatoren med den ene hånd på det bagerste håndtag og den anden hånd på det forreste støttehåndtag. Hold godt fast med begge hænder, når kultivatoren bruges. Kultivatoren skal holdes i en behagelig stilling med bagerste håndtag i hoftehøjde.

Hold godt fast, og find en god balance på begge fødder (fig. G).

Kultivatoren kan bruges ved, at trække den frem og tilbage, fra side til side og i cirkelbevægelser. Vælg metoden, der passer bedst til dit formål, hvilket afhænger af formen og størrelsen på arealet og jordbunden.

Sammenpresset jord løsnes bedst, ved at trække kultivatoren frem og tilbage.

Hvis du skal grave og fure, skal du gå langsomt baglæns og træk kultivatoren tilbage, så jorden fures. Gentag processen for at lave dybere furer, hvis nødvendigt.

BEMÆRK: Når kultivatoren trækkes forsigtigt mod dig selv, når den graver i jorden, bruger du færre kræfter, som gør det lettere at grave.

Dele, der slynges ud, kan medføre alvorlig personskade på brugeren eller omkringstående. For at reducere risikoen for personskade, er det vigtigt at tage følgende forholdsregler:

Undersøg området, og fjern alle skjulte genstande, såsom glas, sten, kabler, metalstykker mv., som kan slynges af eller vikles ind i klingerne. Undgå kontakt med hårde og faste fremmedlegemer.

- Undersøg klingerne regelmæssigt for tegn på skader, og hvis en klinge rammer en hård genstand. Fortsæt ikke arbejdet med en beskadiget klinge.
- Hold altid kultivatoren med begge hænder, når den bruges. Hold med et fast greb på begge håndtag.
- Flyt kultivatoren til arbejdsområdet inden start, og start kultivatoren på en lav hastighed.

Se altid værktøjet efter for skader/slidte dele inden brug. Tjek klingens, skærmen og forreste støttehåndtag, og udskift eventuelle dele, der på nogen måde er revnede, skæve, bøjede eller beskadigede.

Rengør kultivatoren efter hver brug

START/STOP AF VÆRKTØJET

Se afsnittet "START/STOP AF MOTORDELEN" i brugsanvisningen til motordel PH1400E.

VEDLIGEHOLDELSE

⚠ ADVARSEL: Ved service må der kun bruges originale reservedele. Brug af andre reservedele kan medføre fare eller forårsage skader på produktet. For at sikre sikkerhed og pålidelighed skal alle reparationer udføres af en kvalificeret servicetekniker.

⚠ ADVARSEL: Batteridrevne værktøjer behøver ikke at være tilsluttet en stikkontakt, derfor er de altid driftsklar. Tag ekstra forholdsregler og udvis forsigtighed, når du udfører vedligeholdelse, service eller skal skifte kultivator-tilbehøret eller andet tilbehør.

DK

⚠ ADVARSEL: For at undgå alvorlig personskade, skal du fjerne batteriet fra motordelen og vente på, at alle klingerne stopper inden servicering, rengøring, skift af tilbehør, og når produktet ikke er i brug.

⚠ ADVARSEL: Bær altid kraftige handsker, når du monterer eller fjerner klingen eller skærmen eller udfører vedligeholdelsesarbejde på klingen. Vær forsigtig med klingen, og beskyt dine hænder, så du ikke skærer dig på klingen.

ALMINDELIG VEDLIGEHOLDELSE

DK

⚠ ADVARSEL: Lad aldrig bremsvæske, benzin, oliebaserede produkter, indtrængende olier osv. komme i kontakt med plastdele. Kemikalier kan beskadige, svække og ødelægge plastik, hvilket kan føre til alvorlige personskader.

⚠ ADVARSEL: Kultivator-tilbehøret må IKKE nedsænkes i vand eller andre væsker, når det rengøres. Rengør ikke maskinen med en højtryksrenser. Den kraftige vandstråle kan beskadige dele af maskinen.

- Hold alle møtrikker, bolte og skruer stramme for at sikre, at udstyret er sikkert at bruge.
- For at mindske risikoen for brand, skal motoren, lyddæmperen, batterirummet være fri for vegetativt materialer og for meget fedt.
- Udskift slidte eller beskadigede dele.

VEDLIGEHOLDELSE AF KLINGERNE

- Smør regelmæssigt klingerne med rustbeskyttende olie.
- Hvis en af klingerne skal skiftes på grund af slid, skal alle klinger skifte på én gang, for at opnå den bedste ydelse.

Al servicering af kultivatoren - bortset fra de varer, der er anført i disse vedligeholdelsesanvisninger - skal udføres af autoriseret servicepersonale.

Udskiftning

Kultivatoren har fire klinger - to indvendige klinger og to ydre klinger. For at kultivatoren kan virke ordentligt, skal klingerne vendes rigtigt, når de monteres. Klingerne er stemplet med symbolerne L og R (fig. H & I).

Se beskrivelsen af delene i fig. H & I nedenfor:

H-1	Drivaksel	H-7	Låsestift
H-2	Indre muffe	I-1	Låsestift
H-3	Ydre muffe	I-2	Ydre klinge stemplet med "R"
H-4	L-symbol	I-3	Indre klinge stemplet med "R"

H-5	Indre klinge stemplet med "L"	I-4	R-symbol
H-6	Ydre klinge stemplet med "L"		

BEMÆRK: KLINGERNE, HVOR TÆNDERNE PEGER I BEGGE RETNINGER SKAL MONTERES PÅ INDERSIDEN, TÆTTEST PÅ GEARBOKSEN

1. Brug handsker.
2. Placer den indre klinge - stemplet "L", med tænder pegende i begge retninger - til venstre for gearkassen.
3. Placer den ydre klinge - stemplet "L", med tænder pegende i én retning - på samme side. Med den ydre muffe mod den indre klinge.
4. For at spænde klingens fast på drivakslen, skal du sætte låsestiften i låse hul 1. Se fig. J, K, L og N.
5. Vend værktøjet om, så den monterede klinge hviler mod jorden.
6. Placer den indre klinge - stemplet "R", med tænder pegende i begge retninger - til højre for gearkassen.
7. Placer den ydre klinge - stemplet "R", med tænder pegende i én retning - på samme side. Med den ydre muffe mod den indre klinge.
8. For at spænde klingens fast på drivakslen, skal du sætte låsestiften i låse hul 1. Drej derefter låsestiften 90°. Se fig. J, K, L og N.

⚠ ADVARSEL: Hvis klingerne monteres forkert, vil værktøjet ikke virke ordentligt, og det kan være farligt for brugeren og personer i nærheden. Hvis du bemærker et problem, når værktøjet bruges til kultivering, skal du se om klingeren sidder rigtigt.

KLINGER MED TÆNDER PEGENDE I BEGGE RETNINGER, SKAL MONTERES PÅ INDERSIDEN, TÆTTEST PÅ GEARBOKSEN.

Justering

Når der graves i et begrænset område eller mellem rækker, kan kultivatoren bruges kun med de indvendige klinger monteret.

Brug handsker og fjern de to låsestifter, så de to ydre klinger kan tages af (fig. M). Sæt derefter låsestifterne i låse hul 2 igen (fig. N & O).

Se beskrivelsen af delene i fig. N nedenfor:

N-1	Låsehul 1
N-2	Låsehul 2

BEMÆRK: Klingerne må ikke tvinges på eller af drivakslen. Hvis du oplever problemer med fjernelse af klingerne, skal du smøre akslen med olie. Når klingerne sættes på igen, skal du sørge for at rengøre og smøre drivakslen og klingerne med olie.

RENGØRING AF APPARATET

Dele af planter, såsom rødder, kan vikles rundt om eller mellem de drejende klinger under drift. Sådan rengøres de drejende klinger:

- Fjern batteriet.
- Brug handsker. Fjern eventuelle rodstykker, tilstoppede jordarter eller planter på klingerne, skærmen og gearkassen. For grundig rengøring, skal klingerne og skærmene tages af, og vaskes grundigt. For flere oplysninger om udskiftning, bedes du venligst se afsnittet ovenfor

“UDSKIFTNING ELLER JUSTERING AF KLINGERNE” .

- Tør værktøjets overflade af med en ren klud, fugtet med en mild sæbeopløsning.

OPBEVARING AF APPARATET

- Fjern batteripakken fra værktøjet.
- Tag kultivator-tilbehøret af motordelen, og sæt endedækslet på monteringsakslen, så snavs ikke trænger ind i koblingen.
- Opbevar maskinen på et tørt sted, der er meget utilgængeligt for børn. Opbevar ikke apparatet på eller ved siden af gødning, benzin eller andre kemikalier.

Beskyttelse af miljøet



Smid ikke elektrisk udstyr, batterioplader og batterier/genopladelige batterier i affaldsspanden! Ifølge EU-direktiv 2012/19/EU og EU-direktiv 2006/66/EF skal henholdsvis elektrisk og elektronisk udstyr, der ikke længere er brugbart, og defekte eller brugte batterier/batteripakker indsamles særskilt. Hvis elektriske apparater smides på lossepladsen eller affaldsdeponier, kan der sive giftige stoffer ned i grundvandet og komme ud i fødekæden og gøre skade på menneskers sundhed og velfærd.

DK

FEJLFINDING

DK

PROBLEM	ÅRSAG	LØSNING
Kultivatoren starter ikke.	<ul style="list-style-type: none"> ■ Batteripakken er ikke sat ordentligt i motordelen. ■ Ingen elektrisk kontakt mellem motordelen og batteripakken. ■ Batteripakken er løbet tør for strøm. ■ Der trykkes ikke på låsehåndtaget og startknappen på samme tid. 	<ul style="list-style-type: none"> ■ Sæt batteripakken i motordelen. ■ Fjern batteriet, kontrollér kontakterne og sæt batteriet i igen, og sørg for at det klikker på plads. ■ Oplad batteriet med de opladere fra EGO, der er anført i denne vejledning. ■ Tryk låsehåndtaget ned, og hold det nede. Tryk derefter på startknappen for at starte værktøjet.
Kultivator stopper, når der graves med den.	<ul style="list-style-type: none"> ■ Motoren er overbelastet. ■ Batteripakken er for varm. ■ Klinge sidder fast. ■ Batteripakken er afbrudt fra værktøjet. ■ Batteriet er løbet tør for strøm 	<ul style="list-style-type: none"> ■ Motoren begynder at køre igen, når belastningen mindskes. Ved konstant drift, skal du reducere belastningen på kultivatoren og undgå at grave for dybt for hurtigt. Grav i stedet gradvist ned. ■ Lad batteripakken eller motordelen køle ned, indtil temperaturen kommer under 67 °C. ■ Tag batteriet ud af motordelen, drej klingerne manuelt frem og tilbage for at fjerne stenene eller andre forhindringer mellem klingerne eller mellem klingene og gearkassen. ■ Sæt batteripakken i igen. ■ Oplad batteriet med de opladere fra EGO, der er anført i denne vejledning.

GARANTI

EGO's GARANTIPOLITIK

Besøg venligst hjemmesiden egopowerplus.com for fuldstændige vilkår og betingelser for EGO's garantipolitik.

LÄS IGENOM OCH FÖRSTÅ BRUKSANVISNINGEN



LÄS IGENOM OCH FÖRSTÅ BRUKSANVISNINGEN

⚠ Kvarstående risker! Personer med elektroniska implantat såsom hjärtstimulatorer bör konsultera sin(a) läkare innan de använder denna produkt. Användning av elutrustning nära en hjärtstimulator kan störa eller avbryta dess funktion.

⚠ VARNING! Alla reparationer bör utföras av en kvalificerad servicetekniker för att upprätthålla produktens säkerhet och driftssäkerhet.

SÄKERHETSSYMBOLER

Syftet med säkerhetssymboler är att fästa din uppmärksamhet på eventuella risker. Säkerhetssymbolerna och deras betydelser bör uppmärksammas noga och förstås. Själva varningssymboler kan dock inte förebygga någon fara. De instruktioner och varningar som de hänvisar till kan aldrig ersätta lämpliga olycksförebyggande åtgärder.

⚠ VARNING: Se till att läsa igenom och förstå alla säkerhetsinstruktioner i bruksanvisningen, inklusive alla varningssymboler såsom "**RISK**", "**VARNING**" och "**VAR FÖRSIKTIG**", innan produkten tas i bruk. Underlåtenhet att följa alla nedan angivna instruktioner kan leda till elstöt, brand och/eller svår personskada

YMBOLERNAS BETYDELSE

⚠ Säkerhetslarmsymbol: Indikerar **FARA**, **VARNING** ELLER **FÖRSIKTIGHET**. Kan användas i kombination med andra symboler eller bilder.






⚠ VARNING! Användning av elverktyg kan resultera i att främmande föremål kastas in i dina ögon vilket kan resultera i allvarliga ögonskador. Innan elverktyget börjar användas skall alltid skyddsglasögon eller skyddsglasögon med sidoskydd och full ansiktsskydd användas när så behövs. Vi rekommenderar att en ansiktsmask med brett synfält används ovanpå glasögonen eller standard skyddsglasögon med sidoskydd.

SÄKERHETSINSTRUKTIONER

På denna sida anges säkerhetssymboler som kan förekomma på produkten. Alla instruktioner som anges på enheten bör granskas, förstås och följas innan du försöker montera och använda den.

	Säkerhetsvarning	Indikerar en potentiell risk för personskador.
	Läs och förstå bruksanvisningen	Användaren bör läsa igenom och förstå bruksanvisningen innan produkten tas i bruk för att minska risken för personskada.
	Använd hörselskydd	Använd alltid hörselskydd när denna produkt används.
	Använd skyddsglasögon	Använd alltid skyddsglasögon eller säkerhetsglasögon med sidoskydd när denna produkt används.
	Använd skyddshandskar	Skydda dina händer med handskar när bladen hanteras. Kraftiga och halkfria handskar förbättrar ditt grepp och skyddar dina händer.
	Använd skyddsskor	Använd halkfria skyddsskor vid användning av denna utrustning.
	Rikoschett	Föremål som slungas ut kan studsas och orsaka skador på person eller egendom.
	Håll fötterna på avstånd	För att minska risken för skärsår, håll fötter på avstånd från de roterande bladen.
	Håll åskådare på avstånd	Håll åskådare på ett säkert avstånd
	CE	Denna produkt är i enlighet med gällande EC-direktiv.

SE

	WEEE	Förbrukade elektriska produkter får inte kastas i hushållssoporna. Lämna in dem till en auktoriserad återvinningsstation.
	Brus	Garanterad ljudeffektnivå.
	Får inte utsättas för regn	Får inte användas i regn eller lämnas utomhus medan det regnar.
IPX4	IP-symbol	Skyddar mot inträngande av vatten grad 4
V	Volt	Spänning
mm	Millimeter	Längd eller storlek
kg	Kilogram	Vikt

SE

ALLMÄNNA SÄKERHETSVARNINGAR FÖR MOTORDRIVNA VERKTYG

⚠ VARNING! Läs igenom alla säkerhetsvarningar, instruktioner, illustrationer och specifikationer som medföljer detta motordrivna verktyg. Underlåtenhet att följa alla instruktioner som listas nedan kan resultera i elektriska stötar, brand och/eller allvarliga personskador.

Spara alla varningar och instruktioner för framtida bruk.

SÄKERHET I ARBETSOMRÅDET

- **Håll arbetsområdet rent och väl upplyst.** Oordnade eller mörka områden kan orsaka olyckor.
- **Använd inte motordrivna verktyg i explosiva miljöer som t.ex. i närvaron av brandfarliga vätskor, gaser eller damm.** Elverktyg skapar gnistor vilka kan antända dammet eller ångorna.
- **Håll barn och åskådare på avstånd när ett motordrivet verktyg används.** Distractioner kan få dig att tappa kontrollen.

ELEKTRISK SÄKERHET

- **Utsätt inte motordrivna verktyg för regn eller våta förhållanden.** Om vatten tränger in i ett motordrivet verktyg ökar risken för elektriska stötar.

PERSONLIG SÄKERHET

- **Var uppmärksam och observant samt använd sunt förnuft när du använder ett motordrivet**

verktyg. Använd inte ett motordrivet verktyg om du är trött eller under påverkan av droger, alkohol eller medicin. Ett ögonblicks ouppmärksamhet vid användning av motordrivna verktyg kan leda till allvarliga personskador.

- **Använd alltid personlig skyddsutrustning.** Skyddsutrustning som t.ex. ögonskydd, dammask, halkfria skyddsskor, hjälm och/eller hörselskydd som används under korrekta förhållanden minskar risken för personskador.
- **Förebygg oavsiktlig igångsättning. Säkerställ att strömbrytaren är i av-läget innan verktyget ansluts till batteriet, plockas upp eller flyttas.** Att bära elverktyget med fingret på strömbrytaren eller verktyg som är påslagna inbjuder till olyckor.
- **Ta bort inställningsnycklar eller skiftnycklar innan elverktyget slås på.** En skiftnyckel eller en nyckel som sitter kvar på en del av elverktyget som rör sig kan resultera i personskada.
- **Undvik att sträcka ut dig. Håll ett godt fotfäste och balans vid alla tillfällen.** Det ger dig bättre kontroll över det maskindrivna verktyget i oväntade situationer.
- **Klä dig på lämpligt sätt. Använd inte löst sittande kläder eller smycken. Håll hår och klädsel på avstånd från de rörliga delarna.** Löst sittande kläder, smycken och långt hår kan fastna i de rörliga delarna.
- **Om enheter för anslutning av dammuppsamlare finns tillgängliga, se till att de är anslutna och används på korrekt sätt.** Användning av dammuppsamlare kan minska dammrelaterade faror.
- **Var alltid uppmärksam vid användning av verktyget, även efter många användningstillfällen, och ignorerar inte verktygets säkerhetsprinciper.** En vårdslös handling kan orsaka allvarliga personskador inom bråkdelen av en sekund.

ANVÄNDNING OCH SKÖTSEL AV DET MOTORDRIVNA VERKTYGET

- **Forcera inte det motordrivna verktyget. Använd ett korrekt motordrivet verktyg för din tillämpning.** Ett korrekt motordrivet verktyg utför jobbet bättre och säkrare om det används för rätt tillämpning.
- **Använd inte det motordrivna verktyget om strömbrytaren inte kan slås på och av.** Ett motordrivet verktyg som inte kan kontrolleras med strömbrytaren är farligt och måste repareras.
- **Ta bort batteripacket (om löstagbart) från det motordrivna verktyget och/eller aktivera eventuell frånkopplingsenhet för batteriet innan material som fastnat tas bort, justeringar, utbyte av tillsatser, rengöring och förvaring av motordrivet verktyg.** Dessa förebyggande säkerhetsåtgärder minskar risken för att elverktyget startas oavsiktligt.

- **Förvara motordrivna verktyg som inte används utom räckhåll för barn och låt inte personer som inte är bekanta med verktyget eller dessa instruktioner att använda det.** Motordrivna verktyg är farliga i händerna på oerfarna användare.
- **Underhåll motordrivna verktyg och tillbehör.** Kontrollera felinställningar eller om rörliga delar har fastnat, bristning hos delar och andra eventuella förhållanden som kan komma att påverka elverktygets funktion. Om skadad, lämna in elverktyget för reparation innan det används. Många olyckor beror på dåligt underhållna motordrivna verktyg och tillsatser.
- **Håll skärverktygen vassa och rena.** Korrekt underhållna skärverktyg med vassa skärkanter löper mindre risk för att fastna och är lättare att kontrollera.
- **Använd det motordrivna verktyget, tillbehör, insatsverktyg osv. i enlighet med dessa instruktioner och ta hänsyn till arbetsförhållanden och det arbete som ska utföras.** Om det motordrivna verktyget används för andra tillämpningar än det är avsett för kan det resultera i farliga situationer.
- **Håll handtagen och greppytorna torra, rena och fria från olja och fett.** Hala handtag och greppytor kan leda till osäker hantering och/eller att man tappar kontrollen över verktyget.
- **Håll kablar på avstånd från verktygets arbetsområde.** Kablar kan vara dolda under användning av verktyget och oavsiktligt skadas.

ANVÄNDNING OCH SKÖTSEL AV DET BATTERIDRIVNA VERKTYGET

- **Ladda endast med laddaren som anges av tillverkaren.** En laddare som är lämplig för en specifik typ av batteripack kan resultera i brand när den används med ett annat batteripack.
- **Använd endast elverktyg med deras särskilt avsedda batteripaket.** Användning av andra batteripaket kan medföra risk för personskador och eld.
- **När batteripacket inte används, håll det borta från metallobjekt som t.ex. pappersgem, mynt, nycklar, skruvar och andra små metallobjekt som kan bilda en anslutning från en batterikontakt till den andra.** Om batterikontakterna kortsluts kan det orsaka brännskador eller brand.
- **Vid felaktig användning kan vätska tränga ut från batteriet; undvik kontakt med vätskan. Om kontakt inträffar, skölj med vatten. Uppsök dessutom läkare om vätskan får kontakt med ögon.** Vätskan som tränger ut från batteriet kan orsaka irritationer eller brännskador.
- **Använd inte ett batteripack eller verktyg som skadats eller modifierats.** Skadade eller modifierade

batterier kan leda till oförutsägbart uppträdande som leder till brand, explosion eller risk för personskador.

- **Utsätt inte batteripacket eller verktyget för eld eller extrema temperaturer.** Exponering av eld eller temperaturer över 130 °C kan orsaka explosion.
- **Följ alla laddningsinstruktioner och ladda inte batteripacket eller verktyget utanför det temperatursområde som anges i instruktionerna.** Felaktig laddning eller vid temperaturer utanför angivet temperatursområde kan skada batteriet och ökar risken för brand.

ÖVRIGA SÄKERHETSVARNINGAR

UTBILDNING

- Läs igenom instruktionerna noggrant. Bekanta dig med kontrollerna och korrekt användning av maskinen.
- Låt aldrig personer som är obekanta med dessa instruktioner eller barn använda maskinen. Lokala föreskrifter kan begränsa åldern för användare.
- Arbeta aldrig medan personer, särskilt barn eller djur finns i närheten.
- Kom ihåg att operatören eller användaren är ansvarig för olyckor och faror som drabbar andra personer eller deras egendom.

FÖRBEREDELSE

- Under användning ska du alltid bära kraftiga skor och långbyxor. Använd inte denna utrustning när du är barfota eller använder öppna sandaler.
- Kontrollera noggrant det område där utrustningen ska användas och ta bort alla föremål som kan slungas iväg av maskinen
- Innan användning ska du alltid visuellt kontrollera att verktygen inte är utslitna eller skadade. Byt ut slitna eller skadade delar och bultar i set för att bibehålla balansen.

användning

- Använd inte motorn i avgränsade utrymmen där farliga kolmonoxidångor kan samlas
- Arbeta endast i dagsljus eller i bra artificiellt ljus
- Se alltid till att du är stadig på foten i slänter
- Gå. Spring aldrig med maskinen.
- För hjulförsedda rotationsmaskiner, rör dig alltid långsamt med lutningar aldrig uppåt och nedåt.
- Var extra försiktig när du byter riktning i sluttningar.
- Arbeta inte i alltför branta sluttningar.
- Var extra försiktig när du backar eller drar maskinen mot dig.

SE

- Ändra inte motorns regulatorinställningar och övervarva inte motorn.
- Starta motorn försiktigt enligt tillverkarens anvisningar och med fötterna långt bort från verktyget.
- Placera inte händer eller fötter i närheten eller under de roterande delarna.
- Lyft aldrig upp eller bär en maskin när motorn är igång.
- Använd endast med de batteripack och laddare som listas i bild A.

ARBETE I EN SLUTNING:

Slutningar är en stor faktor för halka-och-falla olyckor vilket kan resultera i allvarlig skada. Se alltid till att du är stadig på foten i slänter. Arbete i slutningar kräver extra försiktighet. Om du känner dig osäker i en sluttning, använd den inte.

- Se upp för hål, stenar, dolda föremål eller gupp som kan göra att du halkar eller snubblar. Högt gräs kan dölja hinder.

SKÖTSEL

- **Serva ditt motordrivna verktyg hos en kvalificerad servicetekniker som endast använder identiska utbytesdelar.** Detta säkerställer att det motordrivna verktygets underhålls.
- **Utför aldrig service på skadade batteripack.** Service av batteripack bör endast utföras av tillverkaren eller auktoriserade serviceverkstäder.

⚠️ WARNING: Läs igenom alla säkerhetsvarningar, instruktioner, illustrationer och specifikationer som medföljer detta motordrivna verktyg. Underlåtenhet att följa alla instruktioner som listas nedan kan resultera i elektriska stötar, brand och/eller allvarliga personsador. Spara alla varningar och instruktioner för framtida referens.

SPARA DESSA INSTRUKTIONER

SPECIFIKATIONER

Bearbetningsbredd	240 mm
Bearbetningsdjup	215 mm
Bladstorlek	215 mm
Driftstemperatur	0°C-40°C
Förvaringstemperatur	-20°C-70°C
Vikt (inklusive skydd)	3,9 kg

Uppmätt ljudeffektnivå L_{WA}	87,6 dB(A) K=2,02 dB(A)	
Ljudtrycksnivå vid användarens öra L_{PA}	77,0 dB(A) K=3 dB(A)	
Garanterad ljudeffektnivå L_{WA} (mätt enligt 2000/14/EC)	90 dB(A)	
Värdering av vibration a_{Hv} :	Främre hjälphandtag	0,94 m/s ² K= 1,5 m/s ²
	Bakre handtag	1,24 m/s ² K= 1,5 m/s ²

- Ovanstående parametrar har testats och utmätts med motorenhet PH1400E.
- Det deklarerade totala vibrationsvärdet har uppmätts i enlighet med en standardtestmetod och kan användas för att jämföra ett verktyg med ett annat.
- Det deklarerade totala vibrationsvärdet kan också användas i en preliminär utvärdering av exponeringen.

OBS! Vibrationsutstrålningen under verklig användning av elverktyg kan skilja sig från det deklarerade värdet i vilken verktyget används. För att skydda användaren skall skyddshandskar och hörselskydd användas under faktiska användningsförhållandet av användning.

LEVERANSLISTA

ARTIKELNAMN	ANTAL
Kultivatortillbehör	1
Skydd (med bult)	1
Insexnyckel	1
Bruksanvisning	1

BESKRIVNING

LÄR KÄNNA KULTIVATORN (fig. A)

1. ÄNDLOCK
2. Kultivatortillbehörets axel
3. Växellåda
4. Fläns
5. Yttre blad
6. Inre blad
7. Kopplingspin
8. Skydd
9. Insexnyckel

MONTERING

⚠ VARNING! Om någon av delarna skadats eller saknas, använd inte denna produkt förrän delarna har bytts ut. Användning av denna produkt med skadade eller saknade delar kan resultera i allvarliga personskador.

⚠ VARNING! Försök inte att modifiera denna produkt eller skapa tillbehör som inte rekommenderas för användning med denna produkt. Alla sådana ändringar eller modifikationer är felaktig användning och resulterar i farliga förhållanden som kan leda till allvarliga personskador.

⚠ VARNING! Använd alltid kraftiga handskar vid montering eller borttagning av skärbladet eller vid underhåll av skärbladet. Var försiktig med skärbladet och skydda dina händer från att skadas av skärbladet.

⚠ VARNING! Anslut inte kultivatorn förrän monteringen är slutförd. Underlåtenhet att följa detta kan resultera i oavsiktlig maskinstart och allvarliga personskador

MONTERA SKYDDET

⚠ VARNING! Montera skyddet innan kultivatorfästet kopplas till motorenheten.

1. Lossa och ta bort bulten från skyddet med insexnyckeln (Bild B).
2. Lyft kultivatorstillbehörets axel och ta bort ändlocket från axeln.
3. Rikta in spåret i skyddet med metallfliken på axelns ände, sätt skyddet genom axeln tills skruvhålen i skyddet och metallfliken är inriktade (Bild C & D).
4. Använd insexnyckel för att dra åt bulten medurs så att skyddet låses fast ordentligt.

Bild D. Se nedan för beskrivning av delar:

D-1	Bult
-----	------

ANSLUTA KULTIVATORTILLBEHÖRET TILL MOTORENHETEN

⚠ VARNING! Du får aldrig montera eller justera något tillbehör medan motorenheten är igång eller med batteriet monterat. Underlåtenhet att stoppa motorn och ta ut batteriet kan orsaka allvarliga personskador.

Detta tillbehör för kultivatorn är utvecklat för användning med EGO-motorenhet PH1400E.

1. Stoppa motorn och ta bort batteripacket
2. Lossa vingmuttern på motorenhetens fäste.
3. Om ändlocket är på tillbehörets axel ska du ta bort det och spara det på ett säkert ställe för senare användning.

Rikta in pilen på kultivatorns axel med pilen på fästet (Bild E) och tryck kultivatorns axel in i fästet tills du hör ett tydligt "KLICK"-ljud (Bild F).

Bild E. Se nedan för beskrivning av delar:

E-1	Frigöringsknapp för axeln
E-2	Pil på fästet
E-3	Vingmutter
E-4	Pil på tillbehörets axel
E-5	Röd linje

SE

Bild F. Se nedan för beskrivning av delar:

F-1	Röd linje
-----	-----------

4. Dra lätt i kultivatorstillbehörets axel för att bekräfta att den är fastlåst i kopplingen. Om inte, rotera kultivatorns axel fram och tillbaka i fästet tills ett tydligt "KLICK"-ljud indikerar att det är inkopplat.
5. Dra åt vingmuttern ordentligt.

⚠ VARNING! Säkerställ att vingmuttern på fästet är helt åtdragen innan utrustningen används. Kontrollera regelbundet att den är åtdragen före användning för att undvika allvarliga personskador.

TA BORT TILLBEHÖR FRÅN MOTORENHETEN

1. Stoppa motorn och ta bort batteripacket.
2. Lossa på vingmuttern.
3. När knappen för att koppla ur axeln är nedtryckt drar eller vrids du kultivatorstillbehörets axel ur fästet för att ta bort det från motorenheten

ANVÄNDNING

⚠ VARNING! Var aldrig vårdslös, även om du är väl förtrogen med verktyget. Glöm inte att en bråkdel av en sekund av uppmärksamhet är tillräcklig för att orsaka svåra personskador

⚠ VARNING! Använd alltid ögonskydd, tillsammans med hörselskydd. Om inte så görs kan det resultera i att föremål kastas in i ögonen och andra möjliga allvarliga skador.

⚠ VARNING! Använd inte några tillsatser eller tillbehör som inte rekommenderas av tillverkaren för denna produkt. Användning av tillsatser eller tillbehör som inte rekommenderas kan resultera i allvarliga personskador.

TILLÄMPNINGAR

Du kan använda denna produkt för de tillämpningar som listas nedan:

- Att luckra upp trädgårdsjord för att förbereda fröbäddar för omplantering.
- Grund kultivering för att riva upp ogräs eller mjuka upp jord runt växter, vilket gör det lättare för luft och vatten att tränga ned djupt i jorden.
- Toppdressing med kompost, löv eller andra organiska gödningsmedel. Grund kultivering kommer att luckra upp jordens övre lager och blanda i de tillsatta näringsämnen.
- Skärning eller plöjning i mjuk jord.

⚠ OBS! För att undvika skador på kultiveraren eller träd ska du försiktig så att inte bladen skadar stora trädrotter. Undvik att kultivera för djupt, eftersom det kan skada ytliga rötter på vissa växter.

ANVÄNDA KULTIVATORTILLBEHÖRET MED MOTORENHETEN

⚠ VARNING! Använd korrekta kläder för att minska risken för personskador vid användning av detta verktyg. Bär inte löst sittande kläder eller smycken. Använd ögonskydd. Använd skyddsskor. Använd rejäla långbyxor, kängor och handskar. Använd inte kortbyxor, sandaler eller gå barfota.

Håll kultivatoren med ena handen på det bakre handtaget och den andra handen på det främre handtag. Håll kultivatoren stadigt med båda händerna vid användning. Kultivatoren bör hållas i ett bekvämt läge med det bakre handtaget kring höfthöjd.

Se till att du har ett bra grepp och god balans med båda fötterna (Bild G).

Du kan arbeta genom att flytta kultivatoren framåt eller bakåt, från vänster till höger, höger till vänster eller i cirkelrörelse. Välj den metod som bäst passar ditt syfte, vilket bestäms av formen och storleken på området och markförhållandena.

Att arbeta med omväxlande bakåt- och framåtriktad rörelse är särskilt lämpligt för att luckra upp hård jord.

Vid skärning eller plöjning går du långsamt bakåt och drar kultivatoren för att skapa fåror. Upprepa vid behov för att få djupare fåror.

⚠ OBS! Genom att dra kultivatoren försiktigt mot dig medan den gräver i marken minskar ansträngningen och gör bearbetningen enklare för dig.

Utslungade material kan skada användaren eller åskådare allvarligt. För att minska risken för personskador är det mycket viktigt att utföra följande försiktighetsåtgärder:

Kontrollera och rensa området på dolda föremål som glas, stenar, betong, metalltråd, metallstycken etc. som kan kastas iväg eller fastna i bladen. Undvik kontakt med hårda eller fasta främmande föremål.

- Kontrollera bladen regelbundet efter tecken på skada och efter att du kört på ett hårt föremål. Fortsätt inte arbeta med ett skadat skärblad.
- Håll alltid kultivatoren med bägge händerna vid användning. Håll stadigt i båda handtagen.
- Flytta kultivatoren till arbetsområdet innan du börjar och startar kultivatoren på en låg hastighet.

Kontrollera efter skadade och/eller slitna delar före varje användning. Kontrollera skärbladen, skyddet och det främre handtaget och byt ut delar som är spruckna, skeva, böjda eller skadade på något sätt.

Rengör kultivatoren efter varje användning

STARTA/STOPPA VERKTYGET

Se avsnittet "STARTA/STOPPA MOTORENHETEN" för motorenhet PH1400E.

UNDERHÅLL

⚠ VARNING! Vid service ska enbart identiska utbyteskomponenter användas. Användning av andra delar kan skapa risker eller orsaka produktskador. För att garantera en säker och pålitlig användning måste alla reparationer utföras av en kvalificerad servicetekniker.

⚠ VARNING! Batteridrivna verktyg behöver inte vara anslutna till ett eluttag och är därför alltid redo för användning. För att förhindra allvarliga personskador, vidta extra försiktighet och omsorg vid underhåll, service eller när skärenhet eller andra tillbehör byts ut.

⚠ VARNING! För att förhindra allvarliga personskador ska du ta bort batteriet från motorenheten och vänta tills alla bladen har stannat före service, rengöring, byte av tillbehör eller när produkten inte används.

⚠ VARNING! Använd alltid kraftiga handskar vid montering eller borttagning av skärbladet eller vid underhåll av skärbladet. Var försiktig med skärbladet och skydda dina händer från att skadas av skärbladet.

ALLMÄNT UNDERHÅLL

⚠ VARNING! Låt aldrig bromsvätska, bensin, petroleumbaserade produkter, smörjfett osv. komma i kontakt med plastdelarna. Kemikalier kan skada, försvaga eller förstöra plast vilket kan resultera i allvarliga personskador.

⚠ VARNING! Vid rengöring av kultivatortillbehöret, sänk INTE ned det i vatten eller annan vätska. Rengör inte maskinen med en högtrycksvävt. Den hårda vattenstrålen kan skada maskinens delar.

- Se till att alla muttrar, bultar och skruvar är ordentligt åtdragna för att säkerställa att utrustningen är i ett säkert skick.
- För att minska brandfaran ska du hålla motorn, ljuddämparen och batterifacket rent från växtmaterial och alltför mycket smuts.
- Byt ut slitna eller skadade delar av säkerhetsskäl.

UNDERHÅLL AV BLADET

- Behandla bladen regelbundet med rostskyddsolja.
- Om något av bladen behöver bytas ut på grund av slitage bör du byta ut alla fyra bladen för bästa prestanda.

All kultivatortjänst, utöver det som anges i dessa underhållsinstruktioner, ska utföras av auktoriserad servicepersonal.

Ersätta

Kultivaren har fyra blad – två inre blad och två yttre blad. För att kultivatorn ska fungera korrekt måste bladen installeras åt rätt håll. Symbolerna L och R är stämplade på bladen (Bild H & I).

Bild H&I. Se nedan för beskrivning av delar:

H-1	Drivaxel	H-7	Kopplingspin
H-2	Inre fläns	I-1	Kopplingspin
H-3	Yttre fläns	I-2	Yttre blad stämplat "R"
H-4	Symbol L	I-3	Inre blad stämplat "R"
H-5	Inre blad stämplat "L"	I-4	Symbol R
H-6	Yttre blad stämplat "L"		

OBS! BLADEN SOM HAR TÄNDER I BÅDA RIKTNINGARNA MÅSTE MONTERAS PÅ INSIDAN, NÄRMAST VÄXELLÅDAN

1. Använd handskar.
2. Placera det inre bladet, stämplat "L", som har tänder i båda riktningarna, till vänster om växellådan.
3. Placera det yttre bladet, stämplat "L", (med tänder på ena sidan) på samma sida, med yttre flänsen mot innerbladet.
4. För att säkra bladet på drivaxeln sätter du i kopplingspin i låsningshål-1. Se bild. J, K, L och N för referens.
5. Vänd verktyget med det monterade bladet vilande mot marken.
6. Placera det inre bladet, stämplat "R", som har tänder i båda riktningarna, till höger om växellådan.
7. Placera det yttre bladet, stämplat "R", (med tänder på ena sidan) på samma sida, med yttre flänsen mot innerbladet.
8. För att säkra bladet på drivaxeln sätter du i kopplingspin i låsningshål-1 och vrider sedan kopplingspin i 90°. Se bild. J, K, L och N för referens.

⚠ VARNING! Enheten kommer inte fungera korrekt och kan orsaka fara för användaren eller andra i närheten om bladen är felaktigt monterade. Om det uppstår problem med enhetens kultiveringsfunktion ska du kontrollera att bladen är rätt positionerade.

BLADEN SOM HAR TÄNDER I BÅDA RIKTNINGARNA MÅSTE MONTERAS PÅ INSIDAN, NÄRMAST VÄXELLÅDAN.

Justera

Vid bearbetning i ett begränsat område eller mellan rader kan kultivatorn användas med endast de inre bladen monterade.

Använd handskar och ta bort de två kopplingspin för att ta bort de två yttre bladen (Bild M) och sätt sedan in kopplingspin i låsningshål-2 (Bild N & O).

Bild N. Se nedan för beskrivning av delar:

N-1	Låsningshål-1
N-2	Låsningshål-2

OBS! Tvinga inte bladen på eller av drivaxeln. Om det är svårt att ta bort bladen kan du applicera lite smörjfett på axeln. När du monterar bladen igen ska du se till att rengöra samt olja drivaxeln och bladen.

RENGÖRA ENHETEN

Delar av växter, som t.ex. rötter, kan vira sig runt eller mellan de roterande bladen under användning. För att rengöra de roterande bladen:

SE

- Ta ut batteriet.
- Använd handskar. Ta bort rotdelar, jord och växter på bladet, skyddet och växellådan. För noggrann rengöring tar du bort bladen och skyddet så att du kan tvätta av dem ordentligt. För detaljerade utbytessteg, se avsnittet ovan

"BYTE ELLER JUSTERING AV BLADEN".

- Torka av verktygets yta med en ren trasa fuktad med en mild tvällösning

FÖRVARA ENHETEN

- Ta ut batteripacket från verktyget.
- Ta bort kultivatortillbehöret från motorenheten och täck fast fästaxeln med ändkåpan för att undvika att smuts kommer in i fästet.
- Förvara verktyget på en torr, välventilerad plats, utom räckhåll för barn. Förvara inte enheten på eller i anslutning till gödningsmedel, bensin eller andra kemikalier.

SE

Miljöskydd



Kasta inte elektrisk utrustning, batteriladdare och batterier/laddningsbara batterier i hushållssoporna. I enlighet med Europeisk lag 2012/19/EU måste elektrisk och elektronisk utrustning som inte längre är användbara, och enligt Europeisk lag 2006/66/EG, defekta eller förbrukade batteripaket/batterier samlas in separat. Om elektriska apparater kasseras på avfallsupplag eller soptippar kan farliga ämnen läcka ut i grundvattnet och tränga in i livsmedelskedjan, och skada din hälsa och välbefinnande.

FELSÖKNING

PROBLEM	ORSAK	LÖSNING
Kultivatorn startar inte.	<ul style="list-style-type: none"> ■ Batteripacket är inte ordentligt monterat på motorenheten. ■ Det saknas elektrisk kontakt mellan motorenheten och batteri-packet. ■ Batteriet är helt tomt. ■ Startspärren och avtryckaren trycks inte in samtidigt. 	<ul style="list-style-type: none"> ■ Montera batteripacket på motorenheten. ■ Ta ut batteriet, kontrollera kontaktarna och sätt sedan tillbaka batteripacket så att det snäpper på plats. ■ Ladda batteripacket med en EGO-laddare som listas i denna bruksanvisning. ■ Tryck in startspärren och håll den nertryckt, tryck sedan in gasreglaget för att slå på enheten.
Kultivatorn stannar vid bearbetning.	<ul style="list-style-type: none"> ■ Motorn är överbelastad. ■ Batteripacket är för varmt. ■ Bladen har fastnat. ■ Batteripacket är inte anslutet till verktyget. ■ Batteripacket är helt slut. 	<ul style="list-style-type: none"> ■ Motorn återhämtar sig när belastningen har tagits bort. För kontinuerligt arbete bör du minska belastningen på kultivatorn och undvika djup bearbetning. Gör istället progressivt djupare nedskärningar. ■ Låt batteripacket svalna till dess temperatur sjunker under 67 °C. ■ Ta bort batteriet från motorenheten, vrid bladet manuellt fram och tillbaka för att ta bort stenar eller andra hinder mellan bladen eller mellan bladen och växellådan. ■ Montera batteripacket igen. ■ Ladda batteripacket med en EGO-laddare som listas i denna bruksanvisning.

SE

GARANTI

GARANTIVILLKOREN AV EGO

Var god besök webbplatsen egopowerplus.com för att se de fullständiga garantivillkoren av EGO.

LUE KAIKKI OHJEET!



LUE JA YMMÄRRÄ OHJEKIRJA

⚠ Vaara! Henkilöiden, joilla on elektroniikkalaitteita, kuten sydämentahdistimia, tulee neuvotella lääkärin kanssa ennen tuotteen käyttöä. Sähkölaitteiden käyttö sydämentahdistimen läheisyydessä voi aiheuttaa tahdistimeen häiriöitä tai vikoja.

⚠ VAROITUS: Valtuutetun huoltoteknikon tulee suorittaa kaikki korjaukset ja osien vaihdot, jotta voidaan taata tuotteen turvallinen ja luotettava käyttö.

FI

TURVAMERKIT

Turvamerkkien tavoitteena on kiinnittää huomio mahdollisiin vaaroihin. Sinun tulee lukea huolellisesti käyttöohjeet ja ymmärtää turvamerkit ja niiden selitteet. Turvamerkit eivät itsessään poista vaaraa. Niiden antamat ohjeet ja varoitukset eivät korvaa asianmukaisia tapaturman torjuntatoimenpiteitä.

⚠ VAROITUS: Varmista, että luet ja ymmärrät kaikki tämän käyttäjän käsikirjan turvallisuusohjeet, mukaan lukien kaikki vaaramerkit, kuten **"VAARA"**, **"VAROITUS"** ja **"HUOMIO"**, ennen kuin käytät työkalua. Alla mainittujen ohjeiden noudattamatta jättäminen voi aiheuttaa sähköiskun, tulipalon ja/tai vakavan henkilövahingon.

MERKIN SISÄLTÖ

⚠ Turvallisuusvaroituksen symboli: Ilmaisee **VAARAA**, **VAROITUSTA** tai **HUOMIOTA**. Saatetaan käyttää yhdessä muiden symboleiden tai kuvien kanssa.



⚠ VAROITUS! Minkä tahansa sähkötyökalun käyttö saattaa aiheuttaa vierasesineiden sinkoutumisen silmiin, mikä voi aiheuttaa vakavia silmävammoja. Käytä aina suojalaseja, joissa on sivusuojat, ja tarvittaessa koko kasvoja peittävää suojaa, kun käytät sähkötyökaluja. Silmälasien päällä suosittelemme käytettäväksi suojamaskia, jossa on laaja näkökenttä, tai tavallisia suojalaseja, joissa on sivusuojat.

TURVALLISUUSOHJEET

Tällä sivulla esitetään ja kuvataan tähän tuotteeseen mahdollisesti liittyvät turvamerkit. Lue kaikki koneen ohjeet siten, että ymmärrät ne, ja noudata niitä ennen kuin kasaat koneen ja käytät sitä.

	Turvallisuusvaroitus	Osoittaa mahdollista henkilövahingon vaaraa.
	Lue ja ymmärrä käyttö-öopas	Tapaturmariskin pienentämiseksi käyttäjän täytyy lukea ja ymmärtää käyttäjän käsikirja ennen tuotteen käyttöä.
	Käytä kuulosuojaimia	Käytä aina kuulosuojaimia, kun käytät laitetta
	Käytä suojalaseja	Käytä aina tavanomaisia tai sivusuojilla varustettuja suojalaseja, kun käytät tätä laitetta.
	Käytä suojakäsineitä	Käytä suojakäsineitä, kun käsittelet teriä. Kestävät, liukumattomat hansikkaat parantavat otetta ja suojaavat käsiäsi.
	Käytä turvajalkineita	Käytä luistamattomia turvajalkineita varusteen käytön aikana.
	Kimpoamisvaara	Sinkoutuvat esineet voivat kimmota ja aiheuttaa henkilö- tai omaisuusvahingon.
	Pidä jalat etäällä	Vähennät viiltovammojen vaaraa pitämällä jalkasi etäällä pyörivistä teristä.
	Pidä sivulliset etäällä	Pidä sivulliset turvallisella etäisyydellä
	CE	Tämä tuote vastaa sovellettavia EU-direktiivejä.

	WEEE	Vanhoja sähkölaitteita ei saa hävittää kotitalousjätteen mukana. Vie laite valtuutettuun kierrätyslaitokseen.
	Melu	Taattu äänitehotaso.
	Älä altista sateelle	Älä käytä sateessa tai jätä ulos sateella.
IPX4	IP-symbolit	Suojattu vesiroiskeilta (IP-luokitus 4)
V	Voltti	Jännite
mm	Millimetri	Pituus tai koko
kg	Kilogramma	Paino

YLEISET SÄHKÖYÖKALUJEN TURVALLISUUSVAROITUKSET

VAROITUS! lue kaikki tämän sähköyökalun mukana tulleet turvallisuusvaroitukset, ohjeet, piirustukset ja tekniset tiedot. Jos kaikkia alla olevia ohjeita ei noudateta, seurauksena saattaa olla sähköisku, tulipalo ja/tai vakava loukkaantuminen.

Säilytä kaikki varoitukset ja ohjeet myöhempää käyttöä varten.

TYÖALUEEN TURVALLISUUS

- Pidä työskentelyalue siistinä ja hyvin valaistuna. Sotkuiset tai hämärät alueet aiheuttavat onnettomuuksia.
- Älä käytä sähköyökaluja räjähdysriskissä ympäristössä, kuten syttyvien nesteiden, kaasujen tai pölyn läheisyydessä. Sähköyökalut saattavat aiheuttaa kipinöitä, jotka voivat sytyttää tomun tai höyryjä.
- Älä päästä lapsia tai sivullisia lähelle, kun käytät sähköyökaluja. Häiriötekijät voivat aiheuttaa laitteen hallinnan menettämisen.

SÄHKÖTURVALLISUUS

- Älä altista sähköyökaluja sateelle tai kosteudelle. Sähköyökaluun pääsevä vesi lisää sähköiskun vaaraa.

HENKILÖTURVALLISUUS

- **Ole valpas, tarkkaavainen ja käytä maalaisjärkeä, kun käytät sähköyökalua. Älä käytä sähköyökalua, kun olet väsynyt tai kun olet huumeiden, alkoholin tai lääkityksen vaikutuksen alaisena.** Hetken tarkkaamattomuus sähköyökalua käytettäessä saattaa johtaa vakavaan henkilövahinkoon.
- **Käytä aina henkilönsuojaimia.** Suojavarusteiden, kuten suojalasien, hengityssuojaimen, luistamattomien turvakengien, suojakypärän ja/tai kuulosuojaimien, käyttö tarvittaessa vähentää loukkaantumisriskiä.
- **Estä vahingossa käynnistyminen. Varmista, että kytkin on pois päältä ennen akun yhdistämistä tai työkalun nostamista tai kantamista.** Työkalun kantaminen sormi virtakytkimellä tai virta kytkettyä olevan työkalun liittäminen pistorasiaan muodostaa onnettomuusvaaran.
- **Poista kaikki säätöön käytetyt avaimet tai kiintoavaimet ennen kuin käynnistät sähköyökalun.** Sähköyökalun liikkuvaan osaan kiinni jäänyt säätöavain tai -työkalu saattaa aiheuttaa loukkaantumisen.
- **Älä kurota liian pitkälle. Seiso aina tukevasti ja tasapainossa.** Näin hallitset sähköyökalun parhaalla mahdollisella tavalla odottamattomissa tilanteissa.
- **Pukeudu asianmukaisesti. Älä käytä väljiä vaatteita tai koruja. Pidä hiukset ja vaatteet etäällä liikkuvista osista.** Väljät vaatteet, korut tai pitkät hiukset voivat tarttua kiinni liikkuviin osiin.
- **Jos laitteissa on liitännät pölynpoistolaitteille ja keräilylaitteille, varmista, että ne on liitetty ja niitä käytetään oikein.** Pölynpoistolaitteiden käyttö vähentää pölyyn liittyviä vaaroja.
- **Älä anna tuotteen tuttuuden toistuvan käytön takia tehdä sinua liian itsevarmaksi, äläkä jätä työkalun turvallisuusohjeita noudattamatta.** Huolimaton toiminta voi aiheuttaa vakavan henkilövahingon sekunnin murto-osassa.

SÄHKÖYÖKALUJEN KÄYTTÖ JA YLLÄPITO

- **Älä käytä sähköyökalua väkisin. Käytä omaan käyttötarkoitukseesi sopivaa sähköyökalua.** Oikeaa sähköyökalua käyttämällä teet työn paremmin ja turvallisemmin laitteelle tarkoitetulla teholla.
- **Älä käytä sähköyökalua, jota ei enää voida käynnistää ja pysäyttää kytkimellä.** Sähköyökalu, jota ei enää voida hallita käynnistyskytkimellä, on vaarallinen ja se täytyy korjata.
- **Irrota sähköyökalusta akku, mikäli irrotettavissa, ja/tai irtikytkentälaitte ennen tukosten poistamista, säätöjen tekemistä, lisävarusteiden vaihtamista,**

puhdistamista tai sähkötyökalujen asettamista säilytykseen. Nämä estävät turvallisuustoimenpiteet vähentävät sähkötyökalun vahingossa käynnistämisen riskiä.

- **Kun työkalua ei käytetä, säilytä sitä poissa lasten ja sellaisten henkilöiden ulottuvilta, jotka eivät tunne sähkötyökalua tai näitä ohjeita.** Sähkötyökalut ovat vaarallisia kokemattomien käyttäjien käsissä.
- **Huolla sähkötyökalut ja lisävarusteet. Tarkista, että liikkuvat osat ovat kunnolla paikallaan, että osat ovat ehjiä, ja että sähkötyökalussa ei ole muita ongelmia, jotka saattaisivat vaikuttaa sen toimintaan.** Jos sähkötyökalu on vahingoittunut, korjauta se ennen käyttöä. Monen tapaturman syyt löytyvät huonosti huolletuista sähkötyökaluista ja lisävarusteista.
- **Pidä leikkuutyökalut terävinä ja puhtaina.** Oikein huolletut leikkuutyökalut, joissa on terävät leikkuureunat, eivät todennäköisesti jumiuudu, ja niitä on helpompi hallita.
- **Käytä sähkötyökaluja, lisävarusteita ja teriä yms. näiden ohjeiden mukaisesti ja niin, että otat huomioon käyttöolosuhteet ja tehtävän työn.** Sähkötyökalun käyttö muihin kuin sille suunniteltuihin käyttötarkoituksiin voi aiheuttaa vaaratilanteen.
- **Pidä kahvat ja tartuntapinnat kuivina, puhtaina, öljyttöminä ja rasvattomina.** Liukkaat kahvat ja tartuntapinnat voivat aiheuttaa vaaraa ja/tai työkalun hallinnan menettämisen.
- **Pidä johdot poissa työkalun työskentelyalueelta.** Käytön aikana johdot voivat olla näkymättömissä, jolloin työkalu voi vahingossa katkaista sen.

AKKUTYÖKALUN KÄYTTÖ JA YLLÄPITO

- **Lataa vain valmistajan määrittämällä laturilla.** Laturi, joka sopii yhdenyppiselle akulle voi aiheuttaa tulipalovaaran, jos sitä käytetään toisenlaisen akun kanssa.
- **Käytä sähkötyökaluja vain niille erikseen määriteltujen akkujen kanssa.** Muunlaisten akkujen käyttö saattaa aiheuttaa vamma- tai tulipaloriskin.
- **Kun akku ei ole käytössä, pidä se erillään metalliesineistä, kuten paperiliittimet, kolikot, avaimet, naulat, ruuvit ja muut pienet metalliesineet, jotka voivat yhdistää akun navat toisiinsa.** Akun napojen oikosulku voi aiheuttaa palovammoja tai tulipalon.
- **Väärästä käytöstä johtuen akusta voi valua nestettä; vältä sen koskemista. Jos kuitenkin vahingossa kosket siihen, huuhtelee runsaalla vedellä. Jos nestettä pääsee silmiin, hakeudu lääkärin hoitoon.** Akusta valuva neste voi aiheuttaa ärsytystä tai palovammoja.

- **Älä käytä akkua tai työkalua, joka on vaurioitunut tai jota on muutettu.** Vaurioituneet tai muutetut akut voivat käyttäytyä arvaamattomasti ja aiheuttaa tulipalon, räjähdyksen tai henkilövahingon vaaran.
- **Älä altista akkua tai työkalua tulelle tai äärimmäisille lämpötiloille.** Altiistaminen yli 130 °C:n lämpötilalle voi aiheuttaa räjähdyksen.
- **Noudata kaikkia latausohjeita. Älä lataa akkua tai työkalua lämpötilassa, joka ole ohjeissa ilmoitetun lämpötila-alueen sisällä.** Virheellinen lataaminen tai lataaminen ilmoitetun lämpötila-alueen ulkopuolella olevassa lämpötilassa voi vaurioittaa akkua ja lisätä palovaaraa.

MUUT TURVALLISUUSVAROITUKSET

OPETTELU

- Lue ohjeet huolellisesti. Tutustu laitteen säätimiin ja oikeanlaiseen käyttöön.
- Älä koskaan anna ohjeisiin perehtymättömien henkilöiden tai lasten käyttää konetta. Paikalliset määräykset saattavat rajoittaa käyttäjän ikää.
- Älä koskaan työskentele, jos lähellä on ihmisiä, etenkin lapsia, tai lemmikkieläimiä.
- Muista, että käyttäjä on vastuussa onnettomuuksista tai vaaratilanteista, jotka tapahtuvat muille ihmisille tai heidän omaisuudelleen.

VALMISTELU

- Käytä aina työskennellessäsi tukevia jalkineita ja pitkälahkeisia housuja. Älä käytä laitetta paljain jaloin tai avonaisissa sandaaleissa.
- Tarkasta laitteen käyttöalue huolellisesti ja poista kaikki esineet, jotka voivat sinkoutua koneesta
- Tarkasta aina ennen käyttöä, etteivät työkalut ole kuluneet tai vaurioituneet. Vaihda kuluneet tai vaurioituneet osat ja pultit sarjoina, jotta tasapaino säilyy.

KÄYTTÖ

- Älä käytä moottoria suljetussa tilassa, johon voi kerääntynyt vaarallisia hiilimonoksidihöyryjä.
- Työskentele vain päivänvalossa tai hyvässä keinovalossa
- Varmista aina, että seisot tukevasti rinteissä
- Kävele koneen kanssa, älä juokse.
- Käytettäessäsi pyörällisiä pyöriviä koneita työskentele rinteissä aina poikittaisuunnassa, ei koskaan ylös ja alas.
- Ole erittäin varovainen, kun vaihdat suuntaa rinteissä.
- Älä työskentele erittäin jyrkissä rinteissä.

- Ole erittäin varovainen, kun peruutat tai vedät konetta itseäsi kohti.
- Älä muuta moottorin säätöasetuksia tai ylitä moottorin suurinta kierrosnopeutta.
- Käynnistä moottori varovasti valmistajan ohjeiden mukaan ja pidä jalkasi etäällä työkalusta.
- Älä laita käsiäsi tai jalkojasi pyörivien osien lähelle tai niiden alle.
- Älä koskaan nosta tai kanno konetta moottorin käydessä.
- Käytä vain kuvassa A lueteltujen akkujen ja latureiden kanssa.

KÄYTTÖ RINTEESSÄ:

Rinteet ovat merkittävä tekijä liukastumis- ja kaatumisonnettomuuksissa, jotka saattavat aiheuttaa merkittävän vamman. Varmista, että seisot tukevasti rinteissä. Käyttö rinteissä vaatii erityistä tarkkaavaisuutta. Jos tunnet epävarmuutta rinteissä, älä työskentele siellä.

- Varo kuoppia, uria, piilossa olevia esineitä tai kumpuja, jotka saattavat aiheuttaa liukastumisen tai kompastumisen. Pitkässä ruohossa voi olla piilossa olevia esteitä.

HUOLTO

- **Huollata sähkötyökalu pätevällä huoltohenkilöstöllä, joka saa käyttää vain alkuperäisvaraosia.** Näin taataan sähkötyökalun turvallisuuden säilyminen.
- **Älä koskaan huolla vaurioituneita akkuja.** Akkujen huollon saa tehdä vain valmistaja tai sen valtuuttamat huoltoliikkeet.

VAROITUS: Lue kaikki tämän sähkötyökalun mukana tuleet turvallisuusvaroitukset, ohjeet, piirustukset ja tekniset tiedot. Jos kaikkia alla olevia ohjeita ei noudateta, seurauksena saattaa olla sähköisku, tulipalo ja/tai vakava loukkaantuminen. Säilytä kaikki varoitukset ja ohjeet myöhempää käyttöä varten.

SÄILYTÄ NÄMÄ OHJEET!

MÄÄRITYKSET

Muokkausleveys	240 mm
Muokkausvyvyys	215 mm
Terän koko	215 mm
Käyttölämpötila	0°C-40°C

Varastointilämpötila	-20°C-70°C	
Paino (suojausten kanssa)	3,9 kg	
Mitattu äänitehotaso L_{WA}	87,6 dB(A) K=2,02 dB(A)	
Äänenpainetaso käyttäjän korvien tasolla L_{PA}	77,0 dB(A) K=3 dB(A)	
Taattu äänitehotaso L_{WA} (mitattu direktiivin 2000/14/EY mukaan)	90 dB(A)	
Tärinäarvo a_n	Etupukahva	0,94 m/s ² K= 1,5 m/s ²
	Takakahva	1,24 m/s ² K= 1,5 m/s ²

- Edellä esitetyt parametrit on testattu ja mitattu akkupäähän PH1400E kanssa.
- Ilmoitettu tärinän kokonaispäästöarvo on mitattu standarditestausten mukaisesti, ja sen avulla voidaan vertailla työkaluja keskenään;
- Ilmoitettua tärinän kokonaispäästöarvoa voidaan käyttää myös altistumisen alustavaan arviointiin.

HUOMAA: HUOMAA: Työkalun käytön aikana mitattu todellinen tärinäpäästöarvo voi poiketa ilmoitetusta kokonaispäästöarvosta työkalun käyttötavasta johtuen; käyttäjän suojaamiseksi tulee käyttää käsiineitä ja kuulosuojaimia todellisissa käyttöolosuhteissa.

PAKKAUSLUETTELO

OSAN NIMI	MÄÄRÄ
Kultivaattorilisäosa	1
Suojus (ja pultti)	1
Kuusioavain	1
Käyttäjän käsikirja	1

KUVAUS

TUNNE KULTIVAATTORI (kuva A)

1. PÄÄTYTULPPA
2. Kultivaattorilisäosan varsi
3. Vaihdelaatikko
4. Holkki
5. Ulommat terät
6. Sisemmät terät

7. Koukkutappi
8. Suojus
9. Kuusioavain

KOKOONPANO

VAROITUS: Jos jokin osa on vahingoittunut tai puuttuu, älä käytä tuotetta ennen kuin osat on vaihdettu. Tuotteen käyttö silloin, kun siinä on vahingoittuneita osia tai osia puuttuu, saattaa aiheuttaa vakavan henkilövahingon.

VAROITUS: Älä yritä muuttaa tätä tuotetta tai käyttää siinä lisävarusteita, joita ei ole suunniteltu käytettäväksi tämän tuotteen kanssa. Kaikenlainen muuttaminen tai muuntelu väärinkäyttöä, ja voi aiheuttaa vaaratilanteen, joka voi johtaa vakaviin henkilövahinkoihin.

VAROITUS: Käytä aina paksuja käsineitä, kun asennat tai poistat terän tai suoritat muita toimenpiteitä terälle. Varo terää, suojaa kätesi terän aiheuttamilta vammoilta.

VAROITUS: Älä yhdistä kultivaattoria akkupäähän, ennen kuin laite on valmiiksi koottu. Tämän ohjeen noudattamatta jättäminen saattaa aiheuttaa tahattoman käynnistymisen ja johtaa vakavaan henkilövahinkoon.

SUOJUKSEN ASENTAMINEN

VAROITUS: Asenna suojus ennen kuin yhdistät kultivaattorin akkupäähän.

1. Löysää ja irrota suojuksen pultti kuusioavaimella (kuva B).
2. Nosta kultivaattorilisäosan varrtta ja irrota päätytulppa varresta.
3. Kohdist suojuksen kolo varren päässä olevaan metallilokkeeseen, siirrä suojusta varrtta pitkin, kunnes suojuksen ruuvinreiät ja metallilokkeet kohdistuvat (kuvat C ja D).
4. Kiinnitä suojus kunnolla kiristämällä pulttia myötöpäivään kuusioavaimella.

Kuvan D osien kuvaukset alla:

	Pultti
--	--------

KULTIVAATTORILISÄOSAN KIINNITTÄMINEN AKKUPÄÄHÄN

VAROITUS: Älä koskaan kiinnitä tai säädä mitään lisäosaa, kun akkupäätä on käynnissä, tai kun akku on asennettuna. Moottorin sammuttamatta jättäminen ja akun poistamatta jättäminen voivat aiheuttaa vakavan henkilövahingon.

Tämä kultivaattorilisäosa on suunniteltu käytettäväksi EGO-akkupäähän PH1400E kanssa.

1. Sammuta moottori ja poista akku.
2. Löysää akkupäähän liitoksen siipinuppi.
3. Jos päätytulppa on lisäosan varressa, irrota se ja säilytä sitä varmassa paikassa myöhempää käyttöä varten.

Kohdist kultivaattorin varren nuoli liitokappaleen nuoleen (kuva E) ja paina kultivaattorin varrtta liitokappaleeseen, kunnes kuulet "naksahavan" äänen (kuva F).

Kuvan E osien kuvaukset alla:

E-1	Varren vapautuspainike
E-2	Liitokappaleen nuoli
E-3	Siipinuppi
E-4	Lisäosan varren nuoli
E-5	Punainen viiva

Kuvan F osien kuvaukset alla:

F-1	Punainen viiva
-----	----------------

4. Tarkasta kultivaattorilisäosan varren pysyvyys liitokappaleessa vetämällä hieman varresta. Jos se ei pysy, pyöritä kultivaattorin varrtta edestakaisin liitokappaleessa, kunnes "naksahava" ääni ilmaisee sen lukittuneen.
5. Kiristä siipinuppi kunnolla.

VAROITUS: Varmista, että liitokappaleen siipinuppi on kunnolla kiristetty ennen laitteen käyttämistä; tarkista sen kireys säännöllisesti käytön aikana vakavien henkilövahinkojen välttämiseksi.

LISÄOSAN POISTAMINEN AKKUPÄÄSTÄ

1. Pysäytä moottori ja poista akku.
2. Löysää siipinuppi.
3. Pidä varren vapautuspainiketta painettuna ja vedä tai käännä kultivaattorilisäosan varsi irti liitokappaleesta, jotta saat sen akkupäähän poistettua.

KÄYTTÖ

VAROITUS: Älä anna perehtyneisyyden tuotteeseen saada sinua huolimattomaksi. Muista, että sekunnin murto-osa huolimattomuutta riittää aikaansaamaan vakavan henkilövahingon.

VAROITUS: Käytä aina suojalaseja ja kuulosuojaimia. Tämän ohjeen laiminlyöminen saattaa aiheuttaa esineiden sinkoutumisen silmiin ja mahdollisen vakavan henkilövahingon.

VAROITUS: Älä käytä lisälaitteita tai lisävarusteita, jos tämän tuotteen valmistaja ei ole suositellut niitä. Muiden kuin suositeltujen varusteiden ja lisätarvikkeiden käyttö saattaa aiheuttaa vakavan henkilövahingon.

KÄYTTÄMINEN

Voit käyttää laitetta alla lueteltuihin tarkoituksiin:

- Puutarhan maaperän muokkaaminen siementen istuttamista varten.
- Pintamuokkaus rikkaruohojen tai kasvien ympärillä olevan irrallisen maaperän poistamiseksi, jolloin ilma tai vesi pääsee syvemmälle maaperään.
- Kompostin, lehtien tai muiden orgaanisten lannoitteiden levittäminen maan pinnalle. Pintamuokkaus irrottaa maaperän pintakerroksen, jolloin lisätyt ravinteet pääsevät maaperään.
- Ironneen maaperän kaivaminen tai auraaminen.

HUOMAA: Vältä kultivaattorin tai puiden vauriot varomalla, etteivät terät osu puiden isoihin juuriin. Vältä muokkaamasta liian syväälle, sillä se voi vaurioittaa joidenkin kasvien pintajuuria.

KULTIVAATTORILISÄOSAN KÄYTTÄMINEN AKKUPÄÄN KANSSA

VAROITUS: Pukeudu asianmukaisesti välttääksesi loukkaantumisvaaran työkalua käyttäessäsi. Älä käytä löysiä vaatteita tai koruja. Käytä suojalaseja. Käytä turvajalkineita. Käytä paksuja, pitkälahkeisia housuja, kunnollisia jalkineita ja suojakäsineitä. Älä käytä lyhytlahkeisia housuja, sandaaleita tai ole paljain jaloin.

Pidä kultivaattorista kiinni siten, että toinen kätesi on takakahvalla ja toinen kätesi etuapukahvalla. Pidä kummallakin kädellä kultivaattorista kunnolla kiinni käytön aikana. Kultivaattoria tulee pitää miellyttävässä asennossa ja takakahva noin lonkan korkeudella.

Säilytä ote ja pidä tasapaino molempien jalkojen varassa (kuva G).

Voit liikuttaa kultivaattoria eteenpäin ja taaksepäin, vasemmalta oikealle, oikealta vasemmalle tai pyöriivien liikkein. Valitse tarkoituksiisi paras tapa, mikä riippuu käsiteltävän alueen muodosta ja koosta sekä maaperän olosuhteista.

Työskentely vaihdellen taaksepäin ja eteenpäin soveltuu erityisen hyvin kovan maaperän möhentämiseen.

Kun kaivat tai auraat, kävele hitaasti taaksepäin ja vedä kultivaattoria saadaksesi aikaan vaon. Saat syvempiä vakoja toistamalla tarpeen mukaan.

HUOMAA: Kun vedät kultivaattoria varovasti itseäsi kohti samalla, kun se kaivaa maaperää, helpottaa työtäsi ja tekee muokkaamisesta helpompaa.

Sinkoutuvat materiaalit voivat aiheuttaa vakavan henkilövahingon käyttäjälle tai sivullisille. Henkilövahinkojen välttämiseksi toimi seuraavalla tavalla:

- Tarkasta alue kaikkien piilossa olevien kohteiden, kuten lasi, kivet, betoni, aitavajjerit, metallinpalat ym. varalta ja poista ne. Ne voivat sinkoutua tai tarttua kiinni teriin. Vältä kosketusta koviin tai kiinteisiin kohteisiin.
- Tarkasta terät säännöllisesti ja usein vaurioiden varalta ja kovan kohteeseen osumisen jälkeen. Älä jatka työskentelyä vaurioituneella terällä.
- Pidä kultivaattorista aina molemmilla käsillä kiinni käytön aikana. Pidä kumpaakin kahvaa tukevalla otteella.
- Siirrä kultivaattori työskentelyalueelle ennen käynnistämistä ja käynnistä kultivaattori hitaalla nopeudella.

Tarkasta osat ennen jokaista käyttöä vaurioiden ja/tai kulumien varalta. Tarkasta terät, suojuus ja etuapukahva. Vaihda murtuneet, vääntyneet, taipuneet tai muulla tavoin vaurioituneet osat.

Puhdista kultivaattori jokaisen käyttökerran jälkeen

TYÖKALUN KÄYNNISTÄMINEN/SAMMUTTAMINEN

Katso akkupään PH1400E käyttöoppaasta kohta "AKKUPÄÄN KÄYNNISTÄMINEN/SAMMUTTAMINEN"

HUOLTO

VAROITUS: Käytä huollossa vain identtisiä vaihto-osia. Muiden osien käyttö saattaa aiheuttaa vaaran tai laitteen vaurioitumisen. Anna asiantuntevan huoltoteknikon tehdä kaikki korjaukset, jotta laite on varmasti turvallinen ja luotettava.

VAROITUS: Akkutyökaluja ei tarvitse liittää sähköverkkoon. Tästä syystä ne ovat aina käyttökunnossa. Vakavan henkilövahingon välttämiseksi ole erityisen varovainen, kun kunnossapidät, huollat tai vaihdat leikkuuosia tai muita osia.

VAROITUS: Vakavan henkilövahingon välttämiseksi poista akku akkupäädästä ja odota kaikkien terien pysähtymistä, ennen kuin huollat tai puhdistat konetta tai vaihdat siihen lisäosia ja silloin, kun kone ei ole käytössä.

VAROITUS: Käytä aina paksuja käsineitä, kun asennat tai poistat terän tai teet muita toimenpiteitä terälle. Varo terää, suojaa kätesi terän aiheuttamilta vammoilta.

YLEINEN KUNNOSSAPITO

VAROITUS: Älä anna jarrunesteiden, bensiinin, ruosteen irrotusaineiden tai muiden öljypohjaisten tuotteiden joutua kosketuksiin muoviosien kanssa. Kemikaalit saattavat vahingoittaa, heikentää tai tuhota muovia, mikä saattaa aiheuttaa vakavan henkilövahingon.

VAROITUS: Kun puhdistat kultivaattorilisäosaa, ÄLÄ upota sitä veteen tai muihin nesteisiin. Älä pese konetta painepesurilla. Kova vesisuihku voi vaurioittaa koneen osia.

- Pidä kaikki mutterit, pultit ja ruuvit kiristettyinä, jotta varmistat laitteen turvallisen toimintakunnon.
- Pidä moottori, äänenvaimennin ja akkukotelo puhtaina kasvimateriaalista ja liiallisesta rasvasta palovaaran vähentämiseksi.
- Vaihda kuluneet tai vaurioituneet osat turvallisuuden takia.

TERÄN KUNNOSSAPITO

- Käsittele terät ruosteenestoöljyllä säännöllisesti.
- Jos jokin teristä on vaihdettava kulumisen takia, vaihda kaikki neljä terää suorituskyvyn säilymiseksi.

Kaikki kultivaattorin huoltotoimet, muut kuin näissä kunnossapito-ohjeissa luetellut, tulee antaa valtuutettujen huoltohenkilöiden suorittaviksi.

Vaihtaminen

Kultivaattorissa on neljä terää – kaksi sisempää terää ja kaksi ulompaa terää. Jotta kultivaattori toimii oikein, terät on asennettava oikeaan suuntaan. Teriin on merkitty symbolit L ja R (kuvat H ja I).

Kuvien H ja I osien kuvaukset alla:

H-1	Käyttöakseli	H-7	Koukkutappi
H-2	Sisempi holkki	I-1	Koukkutappi
H-3	Ulompi holkki	I-2	Ulompaan terään merkitty "R"
H-4	Symboli L	I-3	Sisempään terään merkitty "R"
H-5	Sisempään terään merkitty "L"	I-4	Symboli R
H-6	Ulompaan terään merkitty "L"		

HUOMAA: HUOMAA: TERISSÄ ON PIIKKEJÄ KUMPAANKIN SUUNTAAN ASENNETTAVA SISÄPUOLELLE, LÄHIMMÄS VAIHTEISTOLAATIKKOA

1. Käytä käsineitä.
2. Aseta sisempi terä, jossa on "L" ja piikkejä kumpaankin suuntaan, vaihteistolaatikon vasemmalle puolelle.
3. Asenna ulompi terä, jossa on "L" (piikkejä vain yhteen suuntaan) samalle puolelle siten, että ulompi holkki on sisempää terää vasten.
4. Jotta terä pysyy käyttöakselissa, työnnä koukkutappi lukitusreikään 1. Katso lisätietoa kuvista J, K, L ja N.
5. Käännä työkalu ympäri siten, että asennettu terä on maata vasten.
6. Aseta sisempi terä, jossa on "R" ja piikkejä kumpaankin suuntaan, vaihteistolaatikon oikealle puolelle.
7. Asenna ulompi terä, jossa on "R" (piikkejä vain yhteen suuntaan) samalle puolelle siten, että ulompi holkki on sisempää terää vasten.
8. Jotta terä pysyy käyttöakselissa, työnnä koukkutappi lukitusreikään 1 ja käännä lukitustappia sitten 90°. Katso lisätietoa kuvista J, K, L ja N.

VAROITUS: Laite ei toimi oikein tai se voi aiheuttaa vaaraa käyttäjälle tai sivullisille, jos teriä ei ole asennettu oikein. Jos huomaat ongelman laitteen muokkaustoiminna, tarkasta terän asennon oikeellisuus.

TERÄT, JOISSA ON PIIKKEJÄ KUMPAANKIN SUUNTAAN ASENNETTAVA SISÄPUOLELLE LÄHIMMÄS VAIHDELAATIKKOA.

Säätäminen

Muokattaessa ahtaassa paikassa tai penkkien välissä kultivaattoria voidaan käyttää siten, että vain sisemmät terät on asennettu.

Käytä käsineitä ja irrota kaksi koukkutappia poistaaksesi kaksi ulompaa terää (kuva M) ja työnnä koukkutapit sen jälkeen lukitusreikään 2 (kuvat N ja O).

Kuvan N osien kuvaukset alla:

N-1	Lukitusreikä 1
N-2	Lukitusreikä 2

HUOMAA: Älä pakota teriä käyttöakseliin tai irti siitä.

Jos terien irrottaminen on vaikeaa, levitä hieman ruosteenirrotusöljyä akseliin. Kun asennat terät takaisin, puhdista ja öljyä käyttöakseli ja terät.

LAITTEEN PUHDISTAMINEN

Kasvien osat, kuten juuret, voivat kiertyä tiukkaan pyöriivien terien ympärille tai niiden väliin käytön aikana. Pyöriivien terien puhdistaminen:

- Poista akku.
- Käytä käsineitä. Puhdista juurien kappaleet, maaperän ja kasvien aiheuttamat tukokset terästä, suojuksesta ja vaihteistolaatikosta. Terät ja suojuksen voi puhdistaa huolellisemmin irrottamalla ne ja pesemällä kunnolla. Yksityiskohtaiset vaihtovaiheet kappaleessa

"TERIEN VAIHTAMINEN TAI SÄÄTÄMINEN".

- Pyyhi työkalun pinta puhtaalla mietoon saippualliuokseen kostutetulla liinalla.

LAITTEEN VARASTOINTI

- Irrota akku työkalusta.
- Poista kultivaattorilisäosa akkupäästä ja peitä varsi päätytulpalla, jotta lika ei pääse liitoskappaleeseen.
- Säilytä työkalu kuivassa, hyvin ilmastoidussa paikassa poissa lasten ulottuvilta. Älä säilytä laitetta lannoitteiden, bensiinin tai muiden kemikaalien päällä tai vieressä.

Ympäristönsuojelu



Älä hävitä sähkölaitteita, akkulaturia tai akkuja/ladattavia paristoja kotitalousjätteen seassa! EU:n direktiivin 2012/19/EU mukaan sähkölaite- ja elektroniikkaromu, jota ei enää voida käyttää ja EU:n direktiivin 2006/66/EY mukaan vialliset tai käytetyt akut/paristot, on kerättävä erikseen. Jos sähkölaitteita viedään kaatopaikalle, pohjaveteen saattaa vuotaa vaarallisia aineita ja päätyä sitä kautta ruokaketjuun. Tämä vahingoittaa terveyttäsi ja hyvinvointiasi.

VIANETSINTÄ

ONGELMA	SYY	RATKAISU
Kultivaattori ei käynnisty.	<ul style="list-style-type: none"> ■ Akkua ei ole liitetty oikein akkupäähän. ■ Akkupäähän ja akun välillä ei ole sähköliitettä. ■ Akku on tyhjä. ■ Lukituksen vapautusvipua ja liipaisinta ei paineta samanaikaisesti. 	<ul style="list-style-type: none"> ■ Kiinnitä akku akkupäähän. ■ Poista akku, tarkista kosketuskohdat ja asenna akku uudelleen siten, että se napsahtaa paikalleen. ■ Lataa akku käyttöoppaan luettelossa olevalla EGO-laturilla. ■ Paina lukituksen poistokytkin alas ja pidä sitä painettuna, käynnistä laite sen jälkeen painamalla liipaisinta.
Kultivaattori sammuu muokkauksen aikana.	<ul style="list-style-type: none"> ■ Moottori on ylikuormittunut. ■ Akku on liian kuuma. ■ Terät ovat juuttuneet kiinni. ■ Akku on irronnut työkalusta. ■ Akku on tyhjä 	<ul style="list-style-type: none"> ■ Moottori palautuu, kun kuormitus poistetaan. Voit jatkaa työskentelyä vähentämällä kultivaattorin kuormitusta ja välttämällä syvää muokkausta; tee sen sijaan asteittain syvempiä pistoja. ■ Anna akun jäähtyä, kunnes sen lämpötila laskee alle 67 °C. ■ Irrota akku akkupäältä, pyöritä teriä käsin edestakaisin kivien ja muiden esteiden poistamiseksi teristä tai terän ja vaihteistolaatikon välistä. ■ Asenna akku takaisin. ■ Lataa akku käyttöoppaan luettelossa olevalla EGO-laturilla.

FI

TAKUU

EGO-TAKUUKÄYTÄNTÖ

Katso verkkosivuilta osoitteesta egopowerplus.com EGO-takuukäytännön ehdot ja edellytykset kokonaisuudessaan.

LES ALLE INSTRUKSJONER!



LES OG FORSTÅ HÅNDBOKEN

⚠ Restrisiko! Personer med elektroniske enheter, for eksempel pacemakere, må rådføre seg med lege før de bruker dette produktet. Drift av elektrisk utstyr i umiddelbar nærhet av en pacemaker kan føre til at pacemakeren forstyrres eller svikter.

⚠ ADVARSEL: For sikre både sikkerheten og påliteligheten, skal alle reparasjoner utføres av en kvalifisert servicetekniker.

SIKKERHETSSYMBOLER

Formålet med sikkerhetssymbolene er å trekke oppmerksomheten din mot mulige faresituasjoner. Sikkerhetssymbolene og forklaringene krever din fulle oppmerksomhet og forståelse. Symbolvarslene eliminerer ikke farer på egen hånd. Instruksjonene og advarslene som finnes i dem er ikke erstatninger for passende ulykkesforebyggende tiltak.

⚠ ADVARSEL: Sørg for å lese og forstå alle sikkerhetsanvisningene i denne bruksanvisningen, inkludert alle sikkerhetsvarselsymboler så som «FARE», «ADVARSEL» og «FORSIKTIG» før du bruker dette verktøyet. Hvis du ikke følger alle instruksjonene nedenfor, kan det føre til elektriske støt, brann og/eller alvorlig personskade.

SYMBOLFORKLARINGER

⚠ Varselsymbol: Indikerer **FARE**, **ADVARSEL** eller **FORSIKTIG**. Kan brukes sammen med andre symboler eller piktogrammer.



⚠ ADVARSEL! Bruk av alle typer elektroverktøy kan føre til at fremmedlegemer blir slynget mot øynene, noe som kan gi alvorlige øyeskader. Før du begynner å bruke elektroverktøyet, skal du alltid ta på vernebriller eller vernebriller med sidebeskyttelse, og en full ansiktsskjerm der det trengs. Vi anbefaler en Wide Vision Safety Mask til bruk over briller, eller standard vernebriller med sidebeskyttelse.

SIKKERHETSINSTRUKSJONER

Denne siden viser og beskriver sikkerhetssymboler som finnes på produktet. Les, forstå og følg alle instruksjoner på maskinen før begynner montering og bruk.

	Sikkerhetsvarsel	Indikerer fare for mulig personskade.
	Les og forstå brukerhåndboken	For å redusere risikoen for skader, må brukeren lese og forstå bruksanvisningen før produktet brukes.
	Bruk hørselsvern	Bruk alltid hørselsvern når du bruker dette produktet
	Bruk vernebriller	Bruk alltid vernebriller eller vernebriller med sidebeskyttelse når du bruker dette produktet.
	Bruk vernehansker	Beskytt hendene med hansker når du håndterer knivbladene. Kraftige sklisikre hansker gir bedre grep og beskytter hendene.
	Bruk verneskotøy	Bruk sklisikre vernesko når du benytter utstyret.
	Rikosjett	Objekter kan rikosjettere og forårsake skader på person eller eiendom.
	Hold hender og føtter på avstand	For å redusere risikoen for skader må du holde hender og føtter unna roterende knivblad.
	Hold tilskuere på trygg avstand	Hold tilskuere på trygg avstand
	CE	Dette produktet er utformet i tråd med gjeldende EC-direktiver.
	WEEE	Elektrisk avfall må ikke kastes sammen med vanlig husholdningsavfall. Må avleveres på en godkjent gjenvinningsstasjon.

NO

	Støy	Garantert lydeffektnivå.
	Må ikke utsettes for regn	Skal ikke brukes i regn eller legges igjen utendørs mens det regner.
IPX4	IP-symbol	Beskyttelse mot inntrengning av vann, grad 4
V	Volt	Spenning
mm	Millimeter	Lengde eller størrelse
kg	Kilogram	Vekt

GENERELLE SIKKERHETSADVARSLER FOR ELEKTROVERKTØY

NO

⚠ ADVARSEL! Les alle sikkerhetsadvarsler, instruksjoner, illustrasjoner og spesifikasjoner som følger med dette elektroverktøyet. Hvis du ikke følger instruksjonene under i sin helhet, kan det resultere i elektrisk støt, brann og/eller alvorlig skade.

Ta vare på alle advarsler og instruksjoner for fremtidig bruk.

SIKKERHET I ARBEIDSRÅDET

- **Hold arbeidsområdet rent og godt opplyst.** Rotete eller mørke områder gjør at det lettere kan oppstå ulykker.
- **Ikke bruk maskinen i eksplosjonsfarlige omgivelser, for eksempel der det finnes brennbare væsker, gasser eller støv.** Elektroverktøy lager gnister som kan antenne støv eller damp.
- **Hold barn og andre personer unna når elektroverktøyet er i bruk.** Distraksjoner kan føre til at du mister kontrollen.

ELEKTRISK SIKKERHET

- **Ikke utsett elektroverktøy for regn eller våte forhold.** Kommer det vann inn i et elektroverktøy, øker risikoen for elektrisk støt.

PERSONLIG SIKKERHET

- **Vær oppmerksom, pass på hva du gjør og bruk sunn fornuft når du bruker elektroverktøy! Ikke bruk elektroverktøy når du er trøtt eller er påvirket av narkotika, alkohol eller medikamenter.** Et øyeblikks uoppmerksomhet ved bruk av elektroverktøy kan føre til alvorlige personskader.

- **Bruk alltid verneutstyr.** Verneutstyr som vernebriller, støvmaske, skliskire vernesko, hjelm og/eller hørselsvern når omgivelsene krever det, reduserer risikoen for personskader.
- **Unngå utilsiktet oppstart. Pass på at bryteren er i av-posisjon før du kobler til batteriet, løfter eller bærer verktøyet.** Å bære elektroverktøy med fingeren på bryteren eller koble til strøm når bryteren er på, skaper farlige situasjoner som kan føre til ulykker.
- **Fjern eventuelle justeringsnøkler før du slår på elektroverktøyet.** Sitter det en nøkkel igjen i en del av elektroverktøyet som er i bevegelse, kan det føre til personskade.
- **Ikke strekk deg for langt. Pass på å ha skikkelig fotfeste og balanse til enhver tid.** Dette muliggjør bedre kontroll over elektroverktøyet i uventede situasjoner.
- **Kle deg riktig. Ikke bruk løse klær eller smykker. Hold hår og klær på avstand fra bevegelige deler.** Løse klær, smykker eller langt hår kan vikle seg inn i deler som beveger seg.
- **Hvis det følger med utstyr for tilkoping av støvavsug og oppsamlingsutstyr, skal disse koples til og brukes riktig.** Bruk av støvopsamlingsutstyr kan redusere støvrelaterte farer.
- **Selv om du har opparbeidet deg erfaring gjennom hyppig bruk av verktøyet, må du alltid være årvåken og følge sikkerhetsinstruksjonene.** Et ørlite øyeblikks uoppmerksomhet er alt som skal til for at alvorlige personskader kan oppstå.

BRUK OG VEDLIKEHOLD AV ELEKTROVERKTØY

- **Unngå å bruke makt når du håndterer elektroverktøyet. Bruk det riktige elektroverktøyet til det du skal gjøre.** Riktig elektroverktøy vil gjøre jobben bedre og sikrere og i den hastigheten verktøyet er ment for.
- **Ikke bruk elektroverktøyet hvis bryter ikke slår det på og av.** Elektroverktøy som ikke kan kontrolleres med bryteren, er farlig og må repareres.
- **Ta batteripakken ut av verktøyet hvis mulig og/eller aktiver en eventuell frakoblingsmekanisme på batteriet før du fjerner objekter som har satt seg fast, foretar justeringer, bytter tilbehør, rengjør eller setter elektroverktøyet til oppbevaring.** Slike forebyggende sikkerhetstiltak reduserer risikoen for at det elektriske verktøyet uforvarende starter opp.
- **Oppbevar elektroverktøy utilgjengelig for barn, og ikke la personer som ikke er kjent med verktøyet eller disse instruksjonene betjene maskinen.** Elektroverktøy er farlig når det brukes av uerfarne personer.

- **Vedlikehold elektroverktøy og tilbehør. Se etter feiljusteringer eller oppbinding av bevegelige deler, skadede deler og eventuelle andre forhold som kan påvirke elektroverktøyet funksjon.** Hvis skadet, må elektroverktøyet repareres før bruk. Mange ulykker skyldes elektroverktøy og tilbehør som ikke er godt vedlikeholdt.
- **Hold kutteverktøyet skjerpet og rent.** Riktig vedlikehold av kutteverktøy med skarpe kanter gjør at det er mindre sannsynlighet for oppbinding, og at det er lettere å kontrollere.
- **Bruk elektroverktøy, tilbehør, verktøy, osv. i henhold til disse anvisningene, og ta hensyn til arbeidsforholdene og arbeidet som skal utføres.** Bruk av elektroverktøy til andre formål enn det som er angitt, kan føre til farlige situasjoner.
- **Hold håndtakene og gripeflatene tørre, rene og fri for olje og fett.** Glatte håndtak og grep kan gi usikker håndtering og/eller manglende kontroll på verktøyet.
- **Hold kabler unna området der du bruker verktøyet.** Under bruk kan kablene være vanskelige å se, og de kan dermed kuttes over ved et uhell.

BRUK OG VEDLIKEHOLD AV BATTERIVERKTØY

- **Lades bare med ladere som er spesifisert av produsenten.** En lader som passer for én type batteripakke kan skape fare for brann når den brukes med andre batteripakker.
- **Elektroverktøyet skal bare brukes med den spesifiserte batteripakken.** Bruk av andre batteripakker kan skape risiko for skader og brann.
- **Når batteriet ikke er i bruk, skal det holdes unna andre metallgjenstander som binders, mynter, nøkler, spikere, skruer eller andre små objekter av metall som kan lage forbindelse fra én terminal til en annen.** Kortslutning av batteripolene kan forårsake brannskader eller brann.
- **Under farlige forhold kan væske komme ut av batteriet. Unngå kontakt. Hvis kontakt oppstår ved uhell, skyl med vann. Får du væske i øynene, skal det i tillegg søkes medisinsk hjelp.** Væske som renner ut av batteriet, kan forårsake irritasjon eller brannskår.
- **Ikke bruk en batteripakke eller et verktøy som er skadet eller tilpasset.** Skadde eller tilpassede batterier kan oppføre seg uforutsigbart og medføre brann, eksplosjon eller risiko for personskade.
- **Ikke eksponer batteripakken eller verktøyet for ild eller svært høye temperaturer.** Eksponering for ild eller temperaturer over 130 °C kan forårsake eksplosjon.

- **Følg alle ladeinstruksjonene, og ikke lad batteripakken eller verktøyet utenfor temperaturområdet som er angitt i instruksjonene.** Hvis batteriet lades på feil måte eller ved temperaturer som er utenfor det angitte området, kan batteriet bli skadet og brannrisikoen øke.

ANDRE SIKKERHETSADVARSLER

OPPLÆRING

- Les instruksene nøye. Vær fortrolig med betjeningsinstrumentene og riktig bruk av maskinen.
- La aldri folk som ikke er kjent med disse instruksjonene, eller barn, bruke maskinen. Lokalt regelverk kan ha krav til aldersgrense for operatøren.
- Unngå å arbeide med verktøyet mens det er personer og særlig barn eller kjæledyr i nærheten.
- Husk at operatøren er ansvarlig for skade som skjer på andre mennesker eller gjenstander.

FORBEREDELSE

- Ha alltid på solide sko og langbukser mens du arbeider. Ikke bruk utstyret hvis du er barbert eller har på åpne sandaler.
- Kontroller nøye området der maskinen skal brukes, og fjern alle objekter som maskinen kan komme til å slynge ut
- Før bruk må du alltid sjekke at verktøyet ikke er slitt eller ødelagt. Bytt ut alle slitte og ødelagte deler og skruer samtidig for å få en jevn funksjon.

BETJENING

- Motoren må ikke betjenes på et innelukket område der det kan bli store konsentrasjoner av farlig karbonmonoksid
- Jobb bare i dagslys eller med god kunstig belysning
- Sørg alltid for å ha godt fotfeste i hellende terreng
- Bare gå, ikke løp med maskinen.
- For roterende maskiner med hjul er det viktig å arbeide på tvers av skråninger, ikke opp og ned.
- Vær svært forsiktig når du endrer retning i skråninger.
- Må ikke brukes i svært bratte skråninger.
- Vær svært forsiktig når du rygger eller drar maskinen mot deg.
- Ikke endre på motorinnstillingene eller kjør motoren på for høy hastighet.
- Start motoren forsiktig i henhold til produsentens anvisninger, og hold føttene på god avstand fra verktøyet.

NO

- Unngå å plassere hender eller føtter under eller i nærheten av roterende deler.
- Maskinen må ikke løftes eller bæres mens motoren er i gang.
- Bruk kun med batteripakker og ladere som oppført i fig. A

BETJENING I HELLENDE TERRENG:

Skråninger er en viktig faktor i forbindelse med skli- og fallulykker som kan resultere i alvorlig skade. Sørg alltid for å ha godt fotfeste i hellende terreng. Bruk i skråninger krever ekstra årvåkenhet. Hvis du føler deg utrygg i en skråning, skal du ikke bruke verktøyet.

- Se etter hull, hjulspor, steiner, skjulte objekter eller humper som kan gjøre at du sklir eller snubler. Høyt gress kan skjule hindringer.

SERVICE

- **Få elektroverktøyet reparert av et kvalifisert serviceverksted, som kun bruker identiske reservedeler.** Dette gjør at sikkerheten til elektroverktøyet opprettholdes.
- **Batteripakker som er skadet, må aldri brukes.** Service på batteripakker må bare utføres av produsenten eller autoriserte tjenesteleverandører.

⚠ ADVARSEL: Les alle sikkerhetsadvarsler, instruksjoner, illustrasjoner og spesifikasjoner som følger med dette verktøyet. Hvis du ikke følger instruksjonene under i sin helhet, kan det resultere i elektrisk støt, brann og/eller alvorlig skade. Ta vare på alle advarsler og instruksjoner for fremtidig bruk.

TA VARE PÅ DISSE INSTRUKSJONENE

SPESIFIKASJONER

Arbeidsbredde	240 mm
Arbeidsdybde	215 mm
Bladstørrelse	215 mm
Driftstemperatur	0°C-40°C
Lagringstemperatur	-20°C-70°C
Vekt (inkludert bladvern)	3,9 kg
Målt lydeffektnivå L_{WA}	87,6 dB(A) K=2,02 dB(A)
Lydtryknivå ved brukerens øre L_{PA}	77,0 dB(A) K=3 dB(A)

Garantert lydeffektnivå L_{WA} (målt iht. 2000/14/EC)		90 dB(A)
Verdsettelse av vibrasjon $a_{h,v}$:	Fremre hjelpéhåndtak	0,94 m/s ² K= 1,5 m/s ²
	Bakre håndtak	1,24 m/s ² K= 1,5 m/s ²

- Parametrene over er testet og målt med motorenheten PH1400E.
- Erklært total vibrasjonsverdi er målt i overensstemmelse med en standard testmetode og kan brukes til å sammenligne ett verktøy med et annet;
- Erklært total vibrasjonsverdi kan også brukes i en foreløpig eksponeringsvurdering.

MERK: Vibrasjoner under faktisk bruk av elektroverktøyet kan variere fra den opplyste verdien, avhengig av omgivelser. For å beskytte brukeren skal det alltid benyttes hansker ved bruk.

PAKKELISTE

NAVN PÅ DEL	MENGDE
Jordfreser	1
Bladvern (med skruer)	1
Unbrakonøkkel	1
Bruksanvisning	1

BESKRIVELSE

GJØR DEG KJENT MED JORDFRESEREN (fig. A)

1. Endekapsel
2. Skaft til jordfreser
3. Girkasse
4. Mansjett
5. Ytre blad
6. Indre blad
7. Låseplugg
8. Bladvern
9. Unbrakonøkkel

MONTERING

⚠ ADVARSEL: Hvis noen av delene er skadet eller mangler, må du ikke bruke dette produktet før delene er skiftet ut. Bruk av dette produktet med skadede eller mangler deler kan føre til alvorlig personskade.

⚠ ADVARSEL: Ikke prøv å tilpasse produktet eller lage tilbehør som ikke er anbefalt for bruk med dette produktet. Enhver slik endring eller tilpassing er feil bruk og kan føre til farlige situasjoner og alvorlige personskader.

⚠ ADVARSEL: Bruk alltid kraftige hansker når du installerer eller fjerner knivblad eller bladvern, eller utfører vedlikehold på bladet. Vær forsiktig med knivbladene, og beskytt hendene dine så de ikke blir skadet.

⚠ ADVARSEL: Ikke koble jordfreseren til motorenheten før monteringen er fullført. Hvis du gjør det, kan det resultere i utilsiktet oppstart og mulig personskade.

PÅSETTING AV BLADVERN

⚠ ADVARSEL: Installer bladvernet før du kobler jordfreseren til motorenheten.

1. Løsne og ta av skruen på bladvernet ved hjelp av unbrakonøkkelen (fig. B).
2. Løft skaftet på jordfreseren og fjern endekapselen.
3. La slissen på bladvernet være i flukt med metallappen i enden av skaftet. Tre bladvernet inn på skaftet til skruhullene i bladvernet og metallappen er på linje (fig. C og D).
4. Bruk unbrakonøkkelen til å stramme skruen i retning klokken og feste bladvernet forsvarlig.

Se beskrivelse av delene til fig. D under:

D-1	Skrue
-----	-------

MONTERE JORDFRESEREN PÅ MOTORENHETEN

⚠ ADVARSEL: Tilbehør må aldri festes eller justeres mens motorenheten er i gang, eller batteriet sitter i verktøyet. Hvis du ikke stopper motoren og fjerner batteriet, kan det oppstå alvorlig personskade.

Denne jordfreseren er beregnet til bruk med motorenheten EGO PH1400E

1. Stopp motoren og ta ut batteripakken
2. Løsne vingeknotten på motorenhetens koplingsstykke.
3. Hvis endekapselen er på skaftet, tar du den av og oppbevarer den til senere bruk.

Juster pilen på skaftet så den er i flukt med pilen på koplingsstykket (fig. E), og skyv skaftet inn i koplingsstykket til du hører et tydelig klikk (fig. F).

Se beskrivelse av delene i fig. E under:

E-1	Utløserknapp på skaft
E-2	Pil på koplingsstykket
E-3	Vingeknott
E-4	Pil på skaftet
E-5	Rød strek

Se beskrivelse av delene i fig. F under:

F-1	Rød strek
-----	-----------

4. Dra lett i enden på skaftet for å forsikre deg om at det sitter fast i koplingsstykket. Hvis så ikke er tilfelle, vrir du skaftet frem og tilbake i koplingsstykket til du hører en klikkelyd som forteller at det har smekket på plass.

5. Stram vingeknotten godt.

⚠ ADVARSEL: Forsikre deg om at vingeknotten på koplingsstykket er strammet godt til før du starter verktøyet. Sjekk med jevne mellomrom at den sitter fast under arbeidet så du ikke risikerer alvorlig personskade.

TA TILBEHØR AV VERKTØYHODET

1. Stopp motoren og ta ut batteripakken.
2. Løsne vingeknotten.
3. Trykk ned utløserknappen på skaftet. Mens du holder denne nede, drar eller vrir du på skaftet så det løsner fra koplingsstykket før du fjerner det fra motorenheten

DRIFT

⚠ ADVARSEL: Ikke la fortrolighet med dette produktet gjøre deg uforsiktig. Husk at et uforsiktig tilfelle av et sekund er nok til å forårsake alvorlige skader.

⚠ ADVARSEL: Bruk alltid vernebriller i tillegg til hørselsvern. Dersom dette ikke blir gjort, kan du få fremmedlegemer inn i øynene eller pådra deg andre alvorlige skader.

⚠ ADVARSEL: Ikke bruk tilbehør eller deler som ikke er anbefalt av produsenten av produktet. Bruk av tilbehør eller deler som ikke anbefales, kan medføre alvorlige personskader.

BRUKSOMRÅDER

Du kan bruke dette produktet til følgende oppgaver:

- Oppfresing av hagejord for å lage nye bed til beplantning.

NO

- Fresing i øvre jordlag for å fjerne ugress og løsne hard jord rundt planter så det blir lettere for luft og vann å trenge dypt ned i jorden.
- Legg kompost, blader eller annen organisk gjødsling på toppen av matjorden. Fresing i overflaten løsner på skorpen av jordlaget og sørger for å blande tilsatte næringsstoffer i jorden.
- Drenering eller pløying i løsnet jord.

MERK: For å unngå skader på jordfreseren eller på trær, er det viktig at knivbladene ikke setter seg fast i store trerøtter. Unngå å frese for dypt da dette kan skade planterøtter som ikke går så langt ned.

BRUKE JORDFRESEREN MED MOTORENHETEN

⚠ ADVARSEL: Kle deg riktig så du unngår risiko for skader når du bruker dette verktøyet. Ikke bruk løstsittende klær eller smykker. Bruk vernebriller. Bruk vernestøvler. Bruk solide langbukser, støvler og hansker. Ikke bruk korte bukser eller sandaler, og ikke gå barbert.

Hold jordfreseren med en hånd på det bakre håndtaket og den andre hånden på det fremre håndtaket. Ha et fast grep med begge hender når du bruker jordfreseren. Jordfreseren skal holdes i en behagelig stilling med det bakre håndtaket omtrent i hoftehøyde.

Fortsett å ha et fast grep, og stå med beina støtt på underlaget (fig. G).

Du kan bevege jordfreseren forover og bakover, fra venstre til høyre, høyre til venstre, eller i en sirkelbevegelse. Velg den beste metoden for formålet, som avhenger av formen og størrelsen på området og hvordan jordforholdene er.

Det er spesielt effektivt å arbeide med en kombinasjon av bakover- og foroverbevegelser når du skal løsne hardpakket jord.

Når du drenerer eller pløyer, skal du gå sakte bakover mens du trekker i jordfreseren for å lage furer i jorden. Gjenta hvis nødvendig for å komme dypere ned.

MERK: Ved å trekke jordfreseren forsiktig mot deg under pløying, blir det mindre anstrengende og lettere å bearbeide jorden.

Materialer som slynges ut, kan påføre både operatør og tilskuere alvorlig skade. For å redusere risikoen for personskade er det svært viktig å ta følgende forholdsregler:

Undersøk området og sørg for å fjerne alle skjulte objekter som glass, steiner, murstein, ståltråd, biter av metall etc., som kan slynges ut eller sette seg fast i knivbladene. Unngå kontakt med harde eller massive fremmedlegemer.

- Undersøk knivbladene regelmessig for tegn på skader eller hvis du treffer en hard gjenstand. Unngå å arbeide med et blad som er skadet.
- Hold alltid jordfreseren med begge hender når du betjener den. Ha et godt grep om begge håndtakene.
- Flytt jordfreseren til området som skal bearbeides, før du starter jordfreseren på lav hastighet.

Kontroller om noen deler er ødelagte og/eller utslitte før bruk. Sjekk knivblad, bladvern og fremre hjelpehåndtak og erstatt det som er sprukket, skjevt, bøyd eller ødelagt på annen måte.

Rengjør jordfreseren hver gang du har brukt den

SLIK STARTER/STOPPER DU VERKTØYET

Se avsnittet "STARTE/STOPPE MOTORENHETEN" i PH1400E håndboken.

VEDLIKEHOLD

⚠ ADVARSEL: Når verktøyet trenger service, må bare identiske reservedeler benyttes. Bruk av uoriginale deler kan forårsake fare eller skader på produktet. For å sikre trygg og pålitelig bruk må alle reparasjoner utføres av en kvalifisert fagperson.

⚠ ADVARSEL: Batteriverktøy trenger ikke å være koblet til et strømuttak; derfor er de alltid klare til bruk. For å unngå alvorlige personskader må du være ekstra forsiktig når du utfører vedlikehold, service eller bytter knivutstyr eller annet tilbehør.

⚠ ADVARSEL: For å unngå alvorlige personskader må batteripakken tas ut av motorenheten og alle knivblader stoppe helt opp før det utføres service, rengjøring, bytte av tilbehør eller når produktet ikke er i bruk.

⚠ ADVARSEL: Bruk alltid solide hansker når du installerer eller fjerner knivblad eller utfører vedlikehold på disse. Vær forsiktig med knivbladene, og beskytt hendene dine så de ikke blir skadet.

GENERELT VEDLIKEHOLD

⚠ WARNING: Bremsevæske, bensin, petroleumsbaserte produkter, rustoppløsende olje osv. må ikke under noen omstendighet komme i kontakt med plastdeler. Kjemikalier kan skade, svekke eller ødelegge plastmaterialer, noe som kan føre til alvorlig personskade.

⚠ ADVARSEL: Når du rengjør jordfreseren, må du IKKE legge den i vann eller andre væsker. Maskinen må ikke rengjøres med en høytrykksspyler. En kraftig vannstråle kan ødelegge deler av maskinen.

- Sørg for at alle mutrer, bolter og skruer er godt festet så produktet fungerer sikkert.
- For å redusere risiko for brann må motor, lyddemper og batteriholder holdes unna plantemateriale og større mengder smørefett.
- Bytt slitte og ødelagte deler for å ivareta sikkerheten.

VEDLIKEHOLD AV KNIVBLAD

- Bladene må jevnlig smøres med rusthindrende olje.
- Hvis noen av knivbladene må erstattes på grunn av slitasje, skal alle fire blad byttes for at maskinen skal fungere best mulig.

All service på jordfreseren bortsett fra det som er beskrevet i disse vedlikeholdsinstruksene, må utføres av kompetent fagpersonell.

Bytte knivblad

Jordfreseren har fire knivblad – to indre og to ytre. For å betjene jordfreseren på riktig måte må knivbladene installeres i riktig retning. Symbolene L og R er stemplet på bladene (fig. H og I).

Se beskrivelse av delene i fig. H og I under:

H-1	Drivaksel	H-7	Låseplugg
H-2	Indre mansjett	I-1	Låseplugg
H-3	Ytre mansjett	I-2	Ytre blad stemplet "R"
H-4	Symbol L	I-3	Indre blad stemplet "R"
H-5	Indre blad stemplet "L"	I-4	Symbol R
H-6	Ytre blad stemplet "L"		

MERK: BLAD SOM HAR KNIVTENNER VENDT BEGGE VEIERMÅ MONTERES PÅ INNSIDEN, NÆRMEST GIRKASSEN

1. Bruk hansker.
2. Sett det indre bladet, stemplet med "L" og med knivtenner begge veier, til venstre for gir-kassen.
3. Sett det ytre bladet, stemplet med "L" (knivtenner bare den ene veien) på samme side, med ytre mansjett mot det indre bladet.
4. For å feste bladet på skaftet setter du låsepluggen inn i låsehull 1. Se fig. J, K, L og N for referanse.
5. Snu verktøyet så det installerte bladet hviler mot bakken.

6. Sett det indre bladet, stemplet med "R" og med knivtenner begge veier, til høyre for gir-kassen.
7. Sett det ytre bladet, stemplet med "R" (knivtenner bare den ene veien) på samme side, med den ytre mansjetten mot det indre bladet.
8. Du fester bladet på skaftet ved å sette låsepluggen inn i låsehull 1 og deretter vri pluggen 90°. Se fig. J, K, L og N for referanse.

⚠ ADVARSEL: Enheten vil ikke fungere ordentlig eller kan forårsake fare for operatør eller tilskuere dersom bladene ikke installeres riktig. Hvis du merker at noe er galt med fresefunksjonen, må du sjekke at bladene er satt riktig inn.

BLADENE SOM HAR KNIVTENNER BEGGE VEIER, MÅ MONTERES PÅ INNSIDEN, NÆRMEST GIRKASSEN.

Justering

Når du bearbeider jord i et avgrenset område eller mellom rader, kan jordfreseren brukes bare med de indre bladene installert.

Bruk hansker og ta ut de to låsepluggene for å fjerne de to ytre bladene (fig. M), og sett låsepluggene inn i låsehull 2 (fig. N og O).

Se beskrivelse av delene i fig. N under:

N-1	Låsehull 1
N-2	Låsehull 2

MERK: Unngå å bruke krefter når du setter bladene på eller tar dem av drivakselen. Hvis du har problemer med å fjerne knivbladene, kan du bruke litt rustoppløsende olje på skaftet. Når du setter bladene på igjen, må du sørge for å rengjøre og smøre drivakselen og bladene.

RENGJØRING AV VERKTØYET

Plantedeler som røtter kan vikle seg rundt eller mellom de roterende bladene når maskinen er i gang. Slik rengjør du de roterende bladene:

- Ta ut batteriet.
- Bruk hansker. Fjern biter av røtter, jord- eller planterrester på bladet, bladvernet eller gir-kassen. For en skikkelig rengjøring bør du ta av bladene og bladvernet og vaske dem grundig. Se avsnittet over for detaljerte instruksjoner om hvordan du bytter knivblad "BYTTE ELLER JUSTERE KNIVBLAD".
- Tørk av overflaten på verktøyet med en ren klut, fuktet med skånsomt såpevann

NO

OPPBEVARING AV VERKTØYET

- Ta batteripakken ut av verktøyet.
- Ta jordfreseren ut av motorenheten og sett endekapselen på skaftet for å unngå at det kommer skitt inn i koplingsstykket.
- Oppbevar verktøyet på et tørt og godt ventilert sted, utilgjengelig for barn. Unngå å oppbevare verktøyet på eller ved siden av gjødningsmidler, bensin eller andre kjemikalier.

Beskytt miljøet



Elektrisk utstyr, batterilader og batterier/oppladbare batterier må ikke kastes i husholdningsavfallet! Ifølge EU-forskrift 2012/19/EU skal elektrisk og elektronisk utstyr som ikke lenger er brukbart, og som i henhold til EU-forskrift 2006/66/EC har defekte eller brukte batteripakker/batterier, samles inn separat. Hvis elektriske apparater kastes på fyllinger eller avfallsplasser, kan farlige substanser lekke ned i grunnvannet og komme inn i næringskjeden og skade din helse og ditt velvære.

NO

FEILSØKING

PROBLEM	ÅRSAK	LØSNING
Jordfreseren starter ikke.	<ul style="list-style-type: none"> ■ Batteripakken er ikke satt ordentlig inn i motorenheten. ■ Ingen elektrisk kontakt mellom motorenheten og batteri-pakken. ■ Batteripakken er utladet. ■ Låsespaken og utløseren er ikke trykket ned samtidig. 	<ul style="list-style-type: none"> ■ Sett batteripakken inn i motorenheten. ■ Fjern batteriet, sjekk kontakter og installer batteripakken på nytt slik at den smekker på plass. ■ Lad batteripakken med en av EGO-laderne som står oppført i denne håndboken. ■ Trykk ned låsespaken og hold den inne, og trykk deretter på utløseren for å slå på verktøyet.
Jordfreseren stopper under arbeidet.	<ul style="list-style-type: none"> ■ Motoren er overbelastet. ■ Batteripakken er for varm. ■ Knivbladene har satt seg fast. ■ Batteripakken er ikke satt inn i verktøyet ■ Batteripakken er utladet 	<ul style="list-style-type: none"> ■ Motoren vil fungere igjen når lasten er fjernet. Skal du arbeide kontinuerlig, må du minske belastningen på jordfreseren og unngå å frese for dypt, men heller grave dypere i flere omganger. ■ La batteripakken eller motorenheten kjøle seg ned til temperaturen kommer under 67 °C. ■ Ta batteriet ut av motorenheten, dreid bladene manuelt forover og bakover for å fjerne grus og andre objekter mellom bladene eller mellom bladet og girkassen. ■ Installer batteripakken på nytt. ■ Lad batteripakken med en av EGO-laderne som står oppført i denne håndboken.

NO

GARANTI

EGOs GARANTIREGLER

Besok nettsiden egopowerplus.com for a se fullstendige vilkar og betingelser for EGO-garantireglene.

ПРОЧИТАЙТЕ ВСЕ ИНСТРУКЦИИ!



ВНИМАТЕЛЬНО ПРОЧИТАЙТЕ РУКОВОДСТВО ПОЛЬЗОВАТЕЛЯ.

⚠ Остаточные риски! Если вы используете электронные устройства, такие как кардиостимулятор, перед эксплуатацией данного устройства проконсультируйтесь с врачом. Использование электрооборудования в непосредственной близости от кардиостимулятора может привести к образованию помех и повреждению кардиостимулятора.

⚠ ПРЕДУПРЕЖДЕНИЕ. Чтобы обеспечить безопасность и надежность устройства, его ремонт и замену частей должен выполнять квалифицированный специалист.

RU

СИМВОЛЫ БЕЗОПАСНОСТИ

Символы безопасности предназначены для привлечения внимания к возможным рискам. Символы безопасности, а также объяснения к ним, требуют особого внимания и понимания. Предупреждения по технике безопасности сами по себе не устраняют опасность. Инструкции и предупреждения не заменяют соответствующие меры по предотвращению несчастных случаев.

⚠ ПРЕДУПРЕЖДЕНИЕ. Перед использованием устройства внимательно прочитайте все инструкции в данном руководстве пользователя и ознакомьтесь с предупреждающими символами безопасности, такими как «ОПАСНОСТЬ», «ПРЕДУПРЕЖДЕНИЕ» и «ВНИМАНИЕ». Несоблюдение всех приведенных ниже инструкций может привести к поражению электрическим током, возникновению пожара и/или получению серьезных травм.

ЗНАЧЕНИЕ СИМВОЛОВ

⚠ Предупреждающий символ. **Означает УВЕДОМЛЕНИЯ, ПРЕДУПРЕЖДЕНИЯ и ПРЕДОСТЕРЕЖЕНИЯ.** Может использоваться с другими символами или изображениями.



⚠ Предупреждение! В результате работы электроинструмента в глаза могут попасть посторонние предметы, что приведет к серьезному повреждению глаз. Перед началом использования электроинструмента всегда надевайте защитную маску или защитные очки с боковыми щитками и полнопрофильную защитную маску (при необходимости). Поверх очков или стандартных защитных очков рекомендуется надевать безопасную маску с широким обзором.

ИНСТРУКЦИИ ПО ТЕХНИКЕ БЕЗОПАСНОСТИ

Далее приведено изображение и описание символов безопасности, которые могут присутствовать на данном устройстве. Перед сборкой или использованием внимательно прочитайте все инструкции, приведенные на устройстве, и соблюдайте их.

	Предупреждение об опасности	Указывает на потенциальную опасность получения травмы.
	Внимательно прочитайте руководство пользователя.	Чтобы уменьшить риск получения травм, перед использованием устройства необходимо прочитать и понять руководство по эксплуатации.
	Используйте средства защиты органов слуха.	При использовании устройства всегда надевайте средства защиты органов слуха.
	Надевайте защитные очки.	При работе с данным устройством всегда используйте защитные очки или защитные очки с боковыми щитками.

	Используйте защитные перчатки.	При работе с режущим элементом надевайте защитные перчатки. Прочные перчатки из нескользящих материалов улучшают захват инструмента и защищают руки.
	Используйте надежную обувь.	При использовании устройства надевайте надежную нескользящую обувь.
	Рикошет	Отброшенные предметы могут отскочить и привести к травмам или повреждению имущества.
	Держите ноги подальше.	Чтобы снизить риск получения травм от порезов, держите ноги подальше от вращающихся режущих элементов.
	Не позволяйте посторонним лицам приближаться к вам.	Следите за тем, чтобы посторонние лица находились на безопасном расстоянии.
	CE	Соответствует основным требованиям стандартов безопасности Европейских директив.
	WEEE	Неисправные электрические устройства нельзя выбрасывать вместе с бытовым мусором. Сдавайте их в авторизованные пункты сбора и утилизации.
	Шум	Гарантированный уровень звуковой мощности.
	Не оставляйте под дождем.	Во время дождя не используйте устройство и не оставляйте его вне помещения.

IPX4	Класс защиты IP	Защита от воздействия воды 4 степени
V	Вольт	Напряжение
mm	Миллиметр	Длина или размер
kg	Килограмм	Масса

ОБЩИЕ ПРАВИЛА ТЕХНИКИ БЕЗОПАСНОСТИ ПРИ РАБОТЕ С ЭЛЕКТРОИНСТРУМЕНТАМИ

⚠ ПРЕДУПРЕЖДЕНИЕ. Прочитайте все правила безопасности, инструкции, иллюстрации и спецификации, прилагаемые к этому электроинструменту. Невыполнение изложенных ниже инструкций может привести к поражению электрическим током, пожару и (или) тяжелым травмам.

Сохраните все предупреждения и инструкции для использования в будущем.

БЕЗОПАСНОСТЬ РАБОЧЕГО МЕСТА

- Обеспечьте чистоту и освещенность рабочего места. Загроможденные и плохо освещенные места служат причиной несчастных случаев.
- Не используйте электроинструменты во взрывоопасных местах, например вблизи горючих жидкостей, газов или пыли. Электроинструменты генерируют искры, которые могут воспламенить пыль или испарения.
- Не позволяйте детям и посторонним находиться вблизи работающего электроинструмента. Отвлекающие факторы могут привести к потере контроля.

ЭЛЕКТРОБЕЗОПАСНОСТЬ

- Не подвергайте электроинструменты воздействию дождя или влаги. При попадании воды в электроинструмент увеличивается риск поражения электрическим током.

ЛИЧНАЯ БЕЗОПАСНОСТЬ

- При использовании электроинструмента будьте бдительны, следите за своими действиями и следуйте здравому смыслу. Не пользуйтесь электроинструментом, если вы устали или находитесь под воздействием наркотиков, алкоголя или медикаментов. Даже кратковременная невнимательность при работе с электроинструментом может привести к тяжелым травмам.

RU

- **Всегда используйте средства индивидуальной защиты.** Средства индивидуальной защиты, такие как защитные очки, противопылевая маска, нескользкая предохранительная обувь, жесткая каска и (или) средства защиты органов слуха в соответствующих условиях уменьшает риск травмирования.
- **Не допускайте непредвиденных запусков.** Перед переноской инструмента и установкой в него аккумулятора убедитесь, что выключатель находится в выключенном положении. Не держите палец на выключателе при переноске электроинструментов и не включайте вилку в розетку, если электроинструмент включен. Это может привести к несчастному случаю.
- **Перед включением электроинструмента снимите с него регулировочные инструменты и гаечные ключи.** Регулировочный инструмент или гаечный ключ, оставленный на движущейся части электроинструмента, может стать причиной травмы.
- **Не перенапрягайтесь.** Всегда сохраняйте устойчивое положение и равновесие. Это позволит лучше контролировать электроинструмент в непредвиденных ситуациях.
- **Одевайтесь надлежащим образом.** Не надевайте свободную одежду и украшения. Держите волосы и одежду подальше от движущихся частей. Свободная одежда, украшения и длинные волосы могут попасть в движущиеся части.
- **При наличии устройств для отвода и сбора пыли убедитесь, что они подключены и правильно работают.** Использование пылеулавливающих устройств снижает вред, причиняемый пылью.
- **Не допускайте небрежности, которая может возникнуть из-за частого использования инструмента и повлечь за собой самоуверенность и игнорирование правил безопасности.** Неосторожное действие может причинить серьезную травму за доли секунды.
- **Перед извлечением застрявшего материала, регулировкой, сменой принадлежностей или хранением извлеките аккумулятор (если возможно) из электроинструмента и (или) активируйте устройство отключения аккумулятора.** Такие меры предосторожности уменьшают риск случайного запуска электроинструмента.
- **Храните неиспользуемые электроинструменты в местах, недоступных для детей, и не доверяйте электроинструмент лицам, не знакомым с ним и с этими инструкциями.** Электроинструменты опасны в руках неподготовленных пользователей.
- **Выполняйте техническое обслуживание электроинструментов и принадлежностей.** Проверьте выравнивание и сцепление подвижных деталей, наличие поломок и прочие условия, которые могут повлиять на работу электроинструмента. Если электроинструмент поврежден, перед использованием его необходимо отремонтировать. Недостаточный уход за электроинструментом и принадлежностями является причиной многих несчастных случаев.
- **Храните режущие инструменты в чистоте и заточенном состоянии.** Правильно обслуживаемые и хорошо заточенные режущие инструменты меньше заклинивают и лучше контролируются.
- **Используйте электроинструмент, аксессуары, насадки и т. п. в соответствии с этими инструкциями, учитывая условия и специфику выполняемой работы.** Использование электроинструмента для выполнения непредусмотренных операций может привести к опасным ситуациям.
- **Следите за тем, чтобы рукоятки и поверхности захвата были сухими и чистыми и на них не было масла или смазочного материала.** Скользкие рукоятки и поверхности захвата могут привести к небезопасному обращению и (или) потере контроля над инструментом.
- **Держите кабели подальше от рабочей зоны инструмента.** Во время использования кабель может исчезнуть из поля зрения и случайно попасть под инструмент.

ИСПОЛЬЗОВАНИЕ И ОБСЛУЖИВАНИЕ ЭЛЕКТРОИНСТРУМЕНТА

- **Не прикладывайте к электроинструменту чрезмерных усилий.** Используйте подходящий для ваших задач электроинструмент. Правильно выбранный электроинструмент более эффективен и безопасен при номинальной нагрузке.
- **Не используйте электроинструмент, если его выключатель неисправен.** Электроинструменты с неисправным выключателем опасны и подлежат ремонту.

ЭКСПЛУАТАЦИЯ И ОБСЛУЖИВАНИЕ ИНСТРУМЕНТА С ПИТАНИЕМ ОТ АККУМУЛЯТОРА

- **Заряжайте аккумулятор только с помощью зарядного устройства, указанного изготовителем.** Зарядное устройство, предназначенное для одного типа аккумуляторных батарей, может стать причиной пожара при использовании с другим типом батарей.

RU

- **Используйте электроинструмент только со специально предназначенными для него аккумуляторами.** Использование любого другого вида аккумуляторных батарей может стать причиной несчастных случаев или пожара.
- **Когда аккумулятор не используется, храните его отдельно от металлических предметов — канцелярских скрепок, монет, ключей, гвоздей, винтов и др. — они могут замкнуть контакты.** Короткое замыкание контактов аккумуляторной батареи может стать причиной ожогов или пожара.
- **При неблагоприятных обстоятельствах из аккумуляторной батареи может потечь электролит. Избегайте контакта с ним. При случайном контакте промойте водой.** Если жидкость попала в глаза, обратитесь к врачу. Жидкость из аккумуляторной батареи может вызвать раздражение и ожоги.
- **Не используйте аккумулятор и инструмент, если они повреждены или подвергались модификациям.** Поведение поврежденных или модифицированных аккумуляторов может быть непредсказуемым, что приведет к возгоранию, взрыву и риску получения травм.
- **Не подвергайте аккумуляторную батарею и инструмент воздействию огня и высокой температуры.** Воздействие огня или температуры выше 130 °C может привести к взрыву.
- **Следуйте всем инструкциям по зарядке и не заряжайте аккумулятор и инструмент при температуре, выходящей за пределы указанного диапазона.** Если зарядка выполняется неправильно или в условиях неподходящей температуры, это может привести к повреждению аккумулятора и возгоранию.

ДОПОЛНИТЕЛЬНЫЕ ПРЕДУПРЕЖДЕНИЯ ПО ТЕХНИКЕ БЕЗОПАСНОСТИ

- Внимательно прочитайте инструкцию. Ознакомьтесь со всеми элементами управления и научитесь правильному использованию оборудования.
- Никогда не позволяйте пользоваться устройством детям или людям, не знакомым с этими инструкциями. Местные нормы могут ограничивать возраст оператора.
- Никогда не используйте устройство если рядом находятся люди (особенно дети) или домашние животные.
- Помните, что оператор или владелец несут ответственность за несчастные случаи и ущерб, нанесенный другим людям или их имуществу.

ПОДГОТОВКА

- Для работы всегда надевайте прочную обувь и длинные брюки. Не работайте с устройством босиком или в открытых сандалиях.
- Внимательно осмотрите участок, где будет использоваться устройство, и удалите все объекты, которые могут быть выброшены из-под него.
- Перед работой всегда осматривайте инструменты на наличие признаков износа или повреждений. Изношенные и поврежденные детали и болты необходимо заменять сразу комплектом, чтобы не нарушать балансировку.

ИСПОЛЬЗОВАНИЕ

- Не запускайте двигатель в закрытом пространстве, где может накапливаться опасное количество угарного газа.
- Работайте только днем или при хорошем искусственном освещении.
- На склонах всегда следите за тем, чтобы находиться в устойчивом положении.
- Никогда не бегите с устройством.
- При использовании ротационных устройств на колесах перемещайтесь только поперек склона, но не вдоль.
- Будьте очень осторожны при перемене направления движения по склону.
- Не работайте на слишком крутых склонах.
- Будьте предельно осторожны, двигаясь задним ходом или перемещая устройство по направлению к себе.
- Не изменяйте настройку регулятора двигателя и не превышайте допустимую скорость работы двигателя.
- Запустите двигатель в соответствии с инструкцией производителя. Ноги должны находиться на безопасном расстоянии.
- Держите руки и ноги подальше от вращающихся деталей.
- Никогда не поднимайте и не переносите устройство с работающим двигателем.
- Используйте только аккумуляторы и зарядные устройства, указанные на рис. А.

РАБОТА НА СКЛОНЕ:

На склоне легко поскользнуться и упасть, что может стать причиной серьезных травм. На склонах всегда следите за тем, чтобы находиться в устойчивом положении. Работа на склонах требует повышенной

RU

внимательности. Не работайте на склоне, если вам это неудобно.

- Осмотрите склон на наличие ям, ухабов, камней, незаметных объектов или неровностей, в результате которых можно поскользнуться или споткнуться. Препятствия могут быть незаметны из-за высокой травы.

ОБСЛУЖИВАНИЕ

- Ремонт электроинструмента должен производиться квалифицированным специалистом с использованием только идентичных запасных частей. Это обеспечит безопасную работу электроинструмента.
- Никогда не выполняйте обслуживание поврежденного аккумулятора. Обслуживание аккумуляторов должно выполняться только производителем или в авторизованном сервисном центре.

RU

⚠ ПРЕДУПРЕЖДЕНИЕ. Прочитайте все правила безопасности, инструкции, иллюстрации и спецификации, прилагаемые к этому электроинструменту. Невыполнение изложенных ниже инструкций может привести к поражению электрическим током, пожару и (или) тяжелым травмам. Сохраните все предупреждения и инструкции для использования в будущем.

СОХРАНИТЕ ДАННЫЕ ИНСТРУКЦИИ!

ТЕХНИЧЕСКИЕ ХАРАКТЕРИСТИКИ

Ширина культивации	240 мм
Глубина культивации	215 мм
Размер режущего элемента	215 мм
Рабочая температура	От 0 до 40 °C
Температура хранения	От -20 до 70 °C
Масса (вместе с щитком)	3,9 кг
Измеренный уровень звуковой мощности L_{WA}	87,6 dB(A) K=2,02 dB(A)
Уровень звукового давления на уши оператора, L_{PA}	77,0 dB(A) K=3 dB(A)

Гарантированный уровень звуковой мощности L_{WA} (измеренный в соответствии со стандартом 2000/14/EC)	90 dB(A)	
Значение вибрации a_h	Передняя вспомогательная рукоятка	0,94 m/s ² K= 1,5 m/s ²
	Задняя рукоятка	1,24 m/s ² K= 1,5 m/s ²

Вышеуказанные параметры протестированы и измерены при использовании с приводным блоком RH1400E.

- Указанное значение вибрации было определено с помощью стандартного теста и может быть использовано для сравнения разных инструментов.
- Указанное общее значение вибрации также может использоваться для предварительной оценки уровня воздействия.

ПРИМЕЧАНИЕ. Реальное вибрационное воздействие электроинструмента может отличаться от указанного в зависимости от способа использования. В целях безопасности оператор должен надевать перчатки и средства защиты органов слуха во время использования устройства.

УПАКОВОЧНЫЙ ЛИСТ

НАЗВАНИЕ ДЕТАЛИ	КОЛИЧЕСТВО
Насадка-культиватор	1
Щиток (с болтом)	1
Шестигранный ключ	1
Руководство по эксплуатации	1

ОПИСАНИЕ

ЧАСТИ КУЛЬТИВАТОРА (Рис. А)

1. КОНЦЕВОЙ КОЛПАЧОК
2. Вал насадки-культиватора
3. Привод
4. Муфта
5. Внешние режущие элементы
6. Внутренние режущие элементы
7. Шплинт
8. Щиток
9. Шестигранный ключ

СБОРКА

⚠ ПРЕДУПРЕЖДЕНИЕ. Если какие-либо части повреждены или отсутствуют, не используйте устройство, пока они не будут заменены. Использование устройства в случае повреждения или отсутствия частей может привести к получению серьезной травмы.

⚠ ПРЕДУПРЕЖДЕНИЕ. Не пытайтесь изменить конструкцию устройства или создать не рекомендованные для него дополнительные приспособления. Подобное изменение считается ненадлежащим использованием и способствует возникновению опасной ситуации, которая приведет к получению серьезной травмы.

⚠ ПРЕДУПРЕЖДЕНИЕ. Всегда надевайте прочные перчатки при установке или извлечении режущего элемента, а также при выполнении каких-либо работ по обслуживанию режущего элемента. Остерегайтесь режущего элемента и берегите руки от порезов.

⚠ ПРЕДУПРЕЖДЕНИЕ. Не подключайте культиватор к приводному блоку до завершения сборки. Несоблюдение данного правила может привести к непреднамеренному запуску и получению серьезных травм.

УСТАНОВКА ЩИТКА

⚠ ПРЕДУПРЕЖДЕНИЕ. Прежде чем подключить культиватор к приводному блоку, установите щиток.

1. С помощью шестигранного ключа открутите болт и извлеките его из щитка (Рис. В).
2. Поднимите вал насадки-культиватора и снимите с вала концевой колпачок.
3. Совместите прорезь в щитке с металлическим выступом на конце вала и насадите щиток на вал таким образом, чтобы совместились отверстия для винтов в щитке и металлическом выступе (Рис. С и D).
4. Чтобы закрепить щиток, закрутите болт по часовой стрелке с помощью шестигранного ключа.

Описание частей на Рис. D

D-1	Болт
-----	------

УСТАНОВКА НАСАДКИ-КУЛЬТИВАТОРА НА ПРИВОДНОЙ БЛОК

⚠ ПРЕДУПРЕЖДЕНИЕ. Никогда не выполняйте установку или регулировку принадлежностей, если приводной блок работает или в него установлен аккумулятор. Двигатель должен быть остановлен, а аккумулятор извлечен, в противном случае существует риск получения серьезных травм.

Эта насадка-культиватор предназначена для использования с приводным блоком EGO PH1400E.

1. Остановите двигатель и извлеките аккумулятор.
2. Ослабьте барашковый фиксатор на муфте приводного блока.
3. Снимите концевой колпачок с вала насадки и уберите в надежное место до последующего использования.

Совместите стрелку на вале насадки-культиватора со стрелкой на муфте (Рис. Е) и вставьте вал насадки-культиватора в муфту до щелчка (Рис. F).

Описание частей на Рис. Е

E-1	Кнопка извлечения вала
E-2	Стрелка на муфте
E-3	Барашковый фиксатор
E-4	Стрелка на вале насадки
E-5	Красная линия

Описание частей на Рис. F

F-1	Красная линия
-----	---------------

4. Слегка потяните за вал насадки-культиватора, чтобы убедиться, что он надежно зафиксирован в муфте. В противном случае поворачивайте насадку в муфте из стороны в сторону, пока не услышите щелчок.

5. Надежно затяните барашковый фиксатор.

⚠ ПРЕДУПРЕЖДЕНИЕ. Перед использованием устройства убедитесь, что барашковый фиксатор на муфте полностью затянут. Во время использования время от времени проверяйте надежность его затяжки, чтобы предотвратить риск получения травм.

ИЗВЛЕЧЕНИЕ ИНСТРУМЕНТА ИЗ ПРИВОДНОГО БЛОКА

1. Остановите двигатель и извлеките аккумулятор.
2. Открутите барашковый фиксатор.

RU

3. Нажмите кнопку извлечения вала и, удерживая ее нажатой, вытяните или выкрутите вал насадки-культиватора из муфты, чтобы отсоединить его от приводного блока.

ИСПОЛЬЗОВАНИЕ

⚠ ПРЕДУПРЕЖДЕНИЕ. Не допускайте небрежности и беспечности при работе с устройством. Помните, что потери бдительности на долю секунды достаточно для получения серьезной травмы.

⚠ ПРЕДУПРЕЖДЕНИЕ. Всегда надевайте защитные очки, а также используйте защиту органов слуха. В противном случае выбрасываемые предметы попадут в глаза, что может привести к получению серьезной травмы.

⚠ ПРЕДУПРЕЖДЕНИЕ. Не используйте насадки или дополнительные приспособления, не рекомендованные производителем устройства. Использование нереконструированных насадок и дополнительных приспособлений может привести к серьезным травмам.

RU

ПРИМЕНЕНИЕ

Данное устройство можно использовать в следующих целях.

- Разрыхление почвы для подготовки грядок к посеву.
- Мелкая культивация для выкорчевывания сорняков и разрыхления земли вокруг растений, что облегчает проникновение воздуха и воды вглубь почвы.
- Подкормка почвы компостом, листьями и другими органическими удобрениями. Неглубокая культивация позволяет размякнуть верхний твердый слой почвы и внедрить в нее добавленные питательные вещества.
- Создание траншей или борозд в рыхлой почве.

ПРИМЕЧАНИЕ. Во избежание повреждения культиватора или деревьев старайтесь не касаться больших корней деревьев режущими элементами. Избегайте слишком глубокой культивации, так как это может повредить мелкие корни некоторых растений.

ИСПОЛЬЗОВАНИЕ НАСАДКИ-КУЛЬТИВАТОРА С ПРИВОДНЫМ БЛОКОМ

⚠ ПРЕДУПРЕЖДЕНИЕ. Одевайтесь надлежащим образом, чтобы снизить риск получения травм при использовании данного инструмента. Не надевайте свободную одежду и украшения. Используйте защитные очки. Используйте защитную обувь.

Надевайте плотные длинные брюки, прочную обувь и перчатки. Не надевайте шорты, сандалии и не работайте босиком. Удерживайте культиватор одной рукой за заднюю рукоятку, а другой — за переднюю вспомогательную рукоятку. Во время работы крепко держите устройство обеими руками. Культиватор необходимо держать в удобном положении так, чтобы задняя рукоятка была расположена на уровне бедра.

Обеспечьте надежный захват и сохраняйте устойчивое положение обеих ног (Рис. G).

Вы можете перемещать культиватор вперед или назад, слева направо, справа налево или круговыми движениями. Выберите наилучший способ, соответствующий поставленной цели, в зависимости от формы и размера рабочей области, а также состояния почвы.

Работа с чередованием движений назад и вперед особенно хорошо подходит для разрыхления уплотненной почвы.

При создании траншеи или борозды медленно двигайтесь назад и тяните культиватор, чтобы создать углубление. При необходимости повторяйте эти действия, чтобы сделать траншею глубже.

ПРИМЕЧАНИЕ. Когда культиватор погружается в почву, осторожно потяните его на себя. Это позволяет снизить усилия и облегчить обработку почвы.

Отбрасываемые материалы могут нанести серьезные травмы оператору и посторонним лицам. Чтобы снизить риск получения травм, необходимо принять следующие меры предосторожности.

- Осмотрите участок и очистите его любых скрытых предметов, таких как стекло, камни, кости, бетон, проволока, куски металла и т. д., которые могут быть отброшены устройством или запутаться в режущих элементах. Избегайте контакта с тяжелыми и твердыми посторонними объектами.
- Регулярно проверяйте режущие элементы на наличие признаков повреждения. Обязательно сделайте это после столкновения с посторонним предметом. Не продолжайте работу с поврежденным режущим элементом.
- Во время работы всегда держите культиватор двумя руками. Крепко держитесь за обе рукоятки.
- Перед началом работы переместите культиватор в рабочую зону и запустите его на низкой скорости.

Перед каждым использованием проверяйте устройство на наличие поврежденных и (или) изношенных частей. Проверьте режущие элементы, щиток и переднюю вспомогательную рукоятку и замените все треснувшие, деформированные, изогнутые или поврежденные части.

Очищайте культиватор после каждого использования.

ВКЛЮЧЕНИЕ И ВЫКЛЮЧЕНИЕ ИНСТРУМЕНТА

См. раздел «ВКЛЮЧЕНИЕ И ВЫКЛЮЧЕНИЕ ПРИВОДНОГО БЛОКА» в руководстве пользователя приводного блока RH1400E.

ОБСЛУЖИВАНИЕ

⚠ ПРЕДУПРЕЖДЕНИЕ. При ремонте используйте только идентичные запасные части. Использование других запасных частей может привести к возникновению опасной ситуации или повреждению устройства. Для обеспечения безопасности и надежности устройства его ремонт должен выполнять квалифицированный специалист.

ПРЕДУПРЕЖДЕНИЕ. Работающие от аккумуляторов инструменты не требуется подключать к розетке электросети, поэтому они всегда готовы к использованию. Чтобы предотвратить получение серьезных травм, будьте особо осторожны и внимательны при выполнении технического обслуживания, ремонта или замене режущих или других приспособлений.

⚠ ПРЕДУПРЕЖДЕНИЕ. Чтобы предотвратить получение серьезных травм, извлекайте аккумулятор из приводного блока и дождитесь полной остановки режущих элементов перед выполнением сервисного обслуживания, очистки, замены принадлежностей и хранением устройства.

⚠ ПРЕДУПРЕЖДЕНИЕ. Всегда надевайте прочные перчатки при установке или извлечении режущего элемента, а также при выполнении каких-либо работ по обслуживанию режущего элемента. Остерегайтесь режущего элемента и берегите руки от порезов.

ОБЩЕЕ ОБСЛУЖИВАНИЕ

⚠ ПРЕДУПРЕЖДЕНИЕ. Не допускайте попадания на пластиковые части тормозной жидкости, бензина, продуктов на нефтяной основе, пропитывающих масел и т. д. Химикаты могут повредить, размягчить или разрушить пластик, что может стать причиной тяжелых травм.

⚠ ПРЕДУПРЕЖДЕНИЕ. При очистке насадки-культиватора НЕ погружайте ее в воду и другие жидкости. Не очищайте устройство с помощью мойки высокого давления. Мощная струя воды может повредить части устройства.

Следите за тем, чтобы все гайки, болты и винты были плотно затянуты — это обеспечит безопасную работу устройства.

- В целях обеспечения пожарной безопасности следите за тем, чтобы двигатель, глушитель и батарейный отсек были чистыми от остатков растительности и избыточного количества смазки.
- Заменяйте изношенные и поврежденные детали.

ОБСЛУЖИВАНИЕ РЕЖУЩИХ ЭЛЕМЕНТОВ

- Регулярно обрабатывайте режущие элементы антикоррозийной смазкой.
- Если какой-либо из режущих элементов нуждается в замене вследствие износа, замените все четыре режущих элемента для обеспечения максимальной эффективности.

Все работы по обслуживанию культиватора, кроме тех, которые описаны в инструкциях по обслуживанию, должны выполняться квалифицированными специалистами.

Замена

Культиватор имеет четыре режущих элемента: два внутренних и два внешних. Для обеспечения правильной работы культиватора режущие элементы должны быть установлены в определенном положении. Режущие элементы имеют обозначения L (левый) и R (правый), см. Рис. H и I.

Описание частей на Рис. H и I

H-1	Приводной вал	H-7	Шплинт
H-2	Внутренняя муфта	I-1	Шплинт
H-3	Внешняя муфта	I-2	Внешний режущий элемент с обозначением «R»
H-4	Символ L	I-3	Внутренний режущий элемент с обозначением «R»
H-5	Внутренний режущий элемент с обозначением «L»	I-4	Символ R
H-6	Внешний режущий элемент с обозначением «L»		

RU

ПРИМЕЧАНИЕ. РЕЖУЩИЕ ЭЛЕМЕНТЫ С ЗУБЦАМИ, НАПРАВЛЕННЫМИ В ОБОЕ СТОРОНЫ, ДОЛЖНЫ БЫТЬ УСТАНОВЛЕННЫ С ВНУТРЕННЕЙ СТОРОНЫ, БЛИЖНЕЙ К РЕДУКТОРУ.

1. Наденьте перчатки.
2. Поместите внутренний режущий элемент с обозначением «L» и зубцами, направленными в обе стороны, с левой стороны от редуктора.
3. Поместите внешний режущий элемент с обозначением «L» и зубцами, направленными в одну сторону, с той же стороны. При этом внешняя муфта должна быть напротив внутреннего режущего элемента.
4. Чтобы закрепить режущий элемент на приводном валу, вставьте шплинт в отверстие 1. См. Рис. J, K, L и N.
5. Переверните инструмент таким образом, чтобы установленный режущий элемент лежал на земле.
6. Поместите внутренний режущий элемент с обозначением «R» и зубцами, направленными в обе стороны, с правой стороны от редуктора.
7. Поместите внешний режущий элемент с обозначением «R» и зубцами, направленными в одну сторону, с той же стороны. При этом внешняя муфта должна быть напротив внутреннего режущего элемента.
8. Чтобы закрепить режущий элемент на приводном валу, вставьте шплинт в отверстие 1 и поверните его на 90°. См. Рис. J, K, L и N.

⚠ ПРЕДУПРЕЖДЕНИЕ. Если режущие элементы установлены неправильно, устройство не будет работать должным образом и может стать источником опасности для оператора и окружающих. Если при работе с культиватором возникают проблемы, проверьте правильность установки режущих элементов.

РЕЖУЩИЕ ЭЛЕМЕНТЫ С ЗУБЦАМИ, НАПРАВЛЕННЫМИ В ОБОЕ СТОРОНЫ, ДОЛЖНЫ БЫТЬ УСТАНОВЛЕННЫ С ВНУТРЕННЕЙ СТОРОНЫ, БЛИЖНЕЙ К РЕДУКТОРУ.

Регулировка

При обработке почвы в ограниченном пространстве или между рядами культиватор может использоваться только с установленными внутренними режущими элементами.

Наденьте перчатки и извлеките два шплинта, чтобы снять два внешних режущих элемента (Рис. M), затем вставьте шплинты в отверстие 2 (Рис. N и O).

Описание частей на Рис. N

N-1	Отверстие 1
N-2	Отверстие 2

ПРИМЕЧАНИЕ. Не прикладывайте к режущим элементам излишних усилий при установке и снятии с приводного вала. Если при снятии режущих элементов возникают затруднения, нанесите на вал немного проникающего масла. При повторной установке режущих элементов не забудьте очистить и смазать приводной вал и режущие элементы.

ОЧИСТКА УСТРОЙСТВА

Во время работы части растений, такие как корни, могут плотно намотаться на вращающиеся режущие элементы или попасть между ними. Для очистки режущих элементов выполните следующие действия.

- Извлеките аккумулятор.
- Наденьте перчатки. Удалите части корней, почвы и растений с режущих элементов, щитка и корпуса редуктора. Для тщательной очистки снимите режущие элементы и щиток и как следует промойте их. Подробное описание процедуры замены см. в предыдущем разделе

«ЗАМЕНА И РЕГУЛИРОВКА РЕЖУЩИХ ЭЛЕМЕНТОВ».

- Очищайте поверхность инструмента чистой тканью, смоченной в слабом мыльном растворе.

ХРАНЕНИЕ УСТРОЙСТВА

- Извлеките аккумулятор из устройства.
- Извлеките насадку-культиватор из приводного блока и закройте вал концевым колпачком, чтобы предотвратить попадание грязи в муфту.
- Храните устройство в сухом хорошо проветриваемом месте, недоступном для детей. Не храните устройство рядом с удобрениями, бензином или другими химическими веществами.

RU

Защита окружающей среды



Не выбрасывайте электрооборудование, зарядные устройства, батарейки и аккумуляторы вместе с бытовыми отходами! В соответствии с европейским законом 2012/19/EU электрическое и электронное оборудование, которое не подлежит дальнейшей эксплуатации, а также непригодные и использованные батарейки и аккумуляторы (согласно европейскому закону 2006/66/EC) должны быть утилизированы отдельно. При утилизации электрических устройств на свалках в подземные воды могут просочиться опасные вещества, которые затем попадут в пищевую цепь и приведут к общему ухудшению здоровья и благополучия.

RU

УСТРАНЕНИЕ НЕИСПРАВНОСТЕЙ

ПРОБЛЕМА	ПРИЧИНА	РЕШЕНИЕ
Культиватор не запускается.	<ul style="list-style-type: none"> ■ Аккумулятор неправильно установлен в приводной блок. ■ Нет электрического контакта между приводным блоком и аккумулятором. ■ Аккумулятор разряжен. ■ Рычаг блокировки и курковый переключатель не зажаты одновременно. 	<ul style="list-style-type: none"> ■ Установите аккумулятор в приводной блок. ■ Извлеките аккумулятор, проверьте контакты и установите его снова таким образом, чтобы он защелкнулся на месте. ■ Зарядите аккумулятор с помощью зарядного устройства EGO, указанного в данном руководстве. ■ Нажмите на рычаг блокировки и удерживайте его, затем зажмите курковый переключатель, чтобы включить инструмент.
Культиватор останавливается во время работы.	<ul style="list-style-type: none"> ■ Двигатель перегружен. ■ Аккумулятор перегрелся. ■ Режущие элементы заклинило. ■ Аккумулятор не подключен к устройству. ■ Аккумулятор разряжен. 	<ul style="list-style-type: none"> ■ Двигатель начнет работать снова, как только нагрузка уменьшится. Для непрерывной работы уменьшите нагрузку на культиватор и избегайте глубокой обработки почвы, вместо этого углубляйтесь в почву постепенно. ■ Дайте аккумулятору остыть, пока температура не упадет ниже 67 °С. ■ Извлеките аккумулятор из приводного блока и вручную проверните режущие элементы вперед и назад, чтобы удалить камни и другие препятствия, которые могли попасть между режущими элементами или режущим элементом и корпусом редуктора. ■ Установите аккумулятор на место. ■ Зарядите аккумулятор с помощью зарядного устройства EGO, указанного в данном руководстве.

RU

ГАРАНТИЯ

ГАРАНТИЙНАЯ ПОЛИТИКА EGO

Посетите веб-сайт egopowerplus.com, чтобы ознакомиться со всеми условиями и сроками гарантийной политики EGO.

PRZECZYTAJ WSZYSTKIE INSTRUKCJE!



PROSIMY PRZECZYTAĆ ZE ZROZUMIENIEM INSTRUKCJĘ OBSŁUGI

⚠ Ryzyko szczytkowe! Osoby z urządzeniami elektronicznymi, takimi jak rozruszniki serca, powinny przed użyciem produktu skonsultować się ze swoim(i) lekarzem/-ami. Używanie urządzeń elektrycznych blisko rozrusznika serca może spowodować zakłócenia lub uszkodzić rozrusznik.

⚠ OSTRZEŻENIE: Aby zagwarantować bezpieczeństwo i niezawodność, wszystkie naprawy i wymiany części powinny być wykonywane przez wykwalifikowanych techników serwisu.

SYMBOLE BEZPIECZEŃSTWA

Celem symboli bezpieczeństwa jest zwrócenie uwagi użytkownika na możliwe zagrożenia. Symbole bezpieczeństwa i objaśnienia do nich zasługują na to, by je uważnie przestudiować i zrozumieć. Symbole bezpieczeństwa nie eliminują same z siebie jakichkolwiek zagrożeń. Podawane w nich instrukcje i ostrzeżenia nie zastępują odpowiednich środków zapobiegania wypadkom.

⚠ OSTRZEŻENIE: Przed użyciem narzędzia prosimy przeczytać i zrozumieć wszystkie instrukcje dotyczące bezpieczeństwa podane w podręczniku użytkownika, łącznie z wszystkimi symbolami ostrzegawczymi takimi jak „NIEBEZPIECZEŃSTWO”, „OSTRZEŻENIE” i „UWAGA”. Niestosowanie się do wszystkich podanych niżej instrukcji może doprowadzić do porażenia prądem, pożaru i/lub poważnych obrażeń.

ZNACZENIE SYMBOLI

⚠ Symbol ostrzegawczy: Oznacza NIEBEZPIECZEŃSTWO, OSTRZEŻENIE LUB PRZESTROGĘ. Może być używany razem z innymi symbolami lub piktogramami.



⚠ Ostrzeżenie! Praca elektronarzędziami może spowodować wyrzucenie ciał obcych w oczy użytkownika, co może doprowadzić do poważnych urazów oczu. Przed rozpoczęciem pracy elektronarzędziem należy zawsze założyć gogle ochronne lub okulary z osłonami bocznymi, a w stosownych przypadkach także pełną osłonę na twarz. Zalecamy nakładanie na zwykłe okulary maski zabezpieczającej o szerokim polu widzenia lub stosowanie standardowych okularów zabezpieczających z osłonami bocznymi.

INSTRUKCJE DOTYCZĄCE BEZPIECZEŃSTWA

Na tej stronie pokazano i opisano symbole bezpieczeństwa, które mogą występować na produkcie. Przed podjęciem próby złożenia i użycia urządzenia należy przeczytać i zrozumieć wszystkie instrukcje dotyczące urządzenia oraz zastosować się do nich.

PL

	Ostrzeżenie dotyczące bezpieczeństwa	Wskazuje na potencjalne ryzyko urazów ciała.
	Przeczytaj ze zrozumieniem instrukcję użytkownika	Aby zmniejszyć ryzyko urazów, użytkownik musi przeczytać i zrozumieć instrukcję przed rozpoczęciem korzystania z produktu.
	Noś nasuszniki ochronne	Podczas pracy urządzeniem należy zawsze nosić ochronniki słuchu.
	Noś okulary ochronne	Zawsze noś osłonę na oczy lub okulary ochronne z bocznymi osłonami podczas obsługi produktu.

	Noś rękawice ochronne	Na czas prac przy ostrzach należy zabezpieczyć ręce rękawicami. Wytrzymałe rękawice antypoślizgowe poprawiają uchwyt i chronią dłonie.
	Noś obuwie ochronne	Podczas używania urządzenia należy nosić obuwie ochronne z podeszwami antypoślizgowymi.
	Rykoszet	Przedmioty wyrzucone w powietrze mogą odbić się rykoszetem i doprowadzić do urazów lub strat materialnych.
	Nie zbliżaj stóp	ran ciętych, ręce i stopy należy trzymać z dala od obracających się ostrzy.
	Osoby postronne trzymaj z daleka	Osoby postronne trzymaj w bezpiecznej odległości
	CE	Ten produkt jest zgodny z mającymi zastosowanie dyrektywami WE.
	WEEE	Zużytych urządzeń elektrycznych nie należy wyrzucać razem ze zwykłymi odpadami domowymi. Należy je oddać do autoryzowanego punktu recyklingu.
	Hałas	Gwarantowany poziom mocy akustycznej.
	Chroń przed deszczem	Nie używać w deszczu i nie zostawiać na dworze podczas deszczu.
IPX4	Symbol IP	Zabezpieczenie przed dostaniem się wody do środka, stopień 4

V	Wolt	Napięcie
mm	Milimetr	Długość lub rozmiar
kg	Kilogram	Ciężar

OGÓLNE OSTRZEŻENIA DOTYCZĄCE ELEKTRONARZĘDZI

⚠ OSTRZEŻENIE: Prosimy przeczytać wszystkie ostrzeżenia i instrukcje oraz przestudiować specyfikację i ilustracje dostarczone wraz z elektronarzędziem. Niestosowanie się do wszystkich podanych niżej instrukcji może doprowadzić do porażenia prądem, pożaru i/lub poważnych obrażeń.

Wszystkie ostrzeżenia i instrukcje należy zachować na przyszłość.

BEZPIECZEŃSTWO W MIEJSCU PRACY

- Należy dbać o czystość i dobre oświetlenie w miejscu pracy. Bałagan i złe oświetlenie sprzyjają wypadkom.
- Nie należy używać elektronarzędzi w miejscach zagrożonych wybuchem, np. w obecności łatwopalnych cieczy, gazów lub pyłu. Elektronarzędzia wytwarzają iskry, które mogą zapalić opary lub pył.
- W czasie pracy elektronarzędzie należy trzymać z dala od dzieci i osób postronnych. Chwila nieuwagi może spowodować utratę kontroli nad urządzeniem.

BEZPIECZEŃSTWO ELEKTRYCZNE

- Elektronarzędzia należy chronić przed deszczem i wilgocią. Woda dostająca się do wnętrza elektronarzędzia zwiększa ryzyko porażenia prądem.

BEZPIECZEŃSTWO OSOBISTE

- Podczas pracy narzędziem należy zachowywać czujność, patrzeć, co się robi i kierować się zdrowym rozsądkiem. Nie należy używać elektronarzędzia, gdy użytkownik jest zmęczony, albo pod wpływem narkotyków, alkoholu lub leków. Chwila nieuwagi w czasie posługiwania się narzędziami elektrycznymi może spowodować poważne obrażenia.
- Należy używać środków ochrony osobistej. Stosowanie w odpowiednich warunkach środków ochrony osobistej takich jak np. okulary ochronne, maska przeciwpyłowa, obuwie ochronne z podeszwami antypoślizgowymi, kask i/lub ochronniki słuchu zmniejszy ewentualne obrażenia.
- Nie wolno dopuścić do przypadkowego uruchomienia. Należy pilnować, aby przed podłączeniem narzędzia do akumulatora oraz przed podniesieniem i przenoszeniem przełącznik był

ustawiony w pozycji „wylączone”. Przenoszenie elektronarzędzia z palcem na wyłączniku lub podłączanie do prądu elektronarzędzia z włączonym przełącznikiem może prowadzić do wypadków.

- **Przed włączeniem elektronarzędzia należy usunąć wszystkie klucze regulacyjne i inne narzędzia.** Klucz zaczepiony o ruchomą część elektronarzędzia może spowodować obrażenia.
- **Nie należy sięgać za daleko. Należy zawsze dbać o utrzymanie równowagi i pewne podparcie nóg.** W nieprzewidzianych sytuacjach zapewnia to lepszą kontrolę nad elektronarzędziem.
- **Należy nosić odpowiednią odzież. Nie powinno się nosić luźnych ubrań ani biżuterii. Włosy i odzież należy trzymać w bezpiecznej odległości od poruszających się części.** Luźne ubrania, biżuteria lub długie włosy mogą zaczepić się o poruszające się części.
- **Jeśli urządzenie przewidziane jest do użytku z elementami odpylającymi, należy upewnić się, że te są podłączone i używane we właściwy sposób.** Używanie systemów służących do pochłaniania pyłu może zmniejszyć zagrożenia związane z pyłem.
- **Nie wolno dopuścić do tego, aby poczucie znajomości narzędzia wynikające z jego częstego używania doprowadziło do lekceważenia i ignorowania zasad bezpieczeństwa.** Jedno lekkomyślne działanie może w ułamku sekundy doprowadzić do ciężkich urazów.

UŻYWANIE I KONSERWOWANIE ELEKTRONARZĘDZI

- **Elektronarzędzia nie należy forsować. Należy używać narzędzia dostosowanego do wykonywanej pracy.** Odpowiednie narzędzie elektryczne wykona pracę lepiej i bezpieczniej, gdy pozwoli mu się pracować z prędkością/obrotami do jakich zostało zaprojektowane.
- **Nie należy używać elektronarzędzia, jeżeli przełącznik zasilania nie włącza go lub nie wyłącza.** Narzędzie, którego nie da się kontrolować przełącznikiem, jest potencjalnie niebezpieczne i wymaga naprawy.
- **Przed usunięciem zakleszczonych gałęzi jakkolwiek regulacją, wymianą akcesoriów, czyszczeniem lub schowaniem elektronarzędzia należy wyjąć z narzędzia akumulator (o ile się da).** Tego typu zapobiegawcze środki ostrożności zmniejszają ryzyko przypadkowego włączenia się elektronarzędzia.
- **Nieużywane elektronarzędzia należy przechowywać w miejscu niedostępnym dla dzieci. Osobom,**

które nie znają narzędzia lub nie zapoznaly się z instrukcją nie należy pozwalać go używać. W rękach nieprzeszkolonych użytkowników narzędzia elektryczne mogą stanowić zagrożenie.

- **Elektronarzędzia i akcesoria należy utrzymywać w dobrym stanie. Należy kontrolować, czy części ruchome nie są odchylone od osi, nie zacinają się i nie są pęknięte lub uszkodzone w inny sposób, który mógłby wpłynąć na działanie narzędzia. W razie uszkodzenia, przed użyciem należy oddać narzędzie do naprawy.** Wiele wypadków wynika ze złej konserwacji narzędzi i akcesoriów.
- **Należy dbać o czystość i naostrzenie narzędzi tnących.** Odpowiednio utrzymane narzędzia tnące z ostrymi krawędziami tnącymi są mniej narażone na zakleszczanie się i łatwiej jest je kontrolować.
- **Elektronarzędzi, akcesoriów, wiertel, bitów, itp. należy używać zgodnie z niniejszą instrukcją, z uwzględnieniem warunków i rodzaju wykonywanej pracy.** Korzystanie z elektronarzędzi niezgodnie z przeznaczeniem może prowadzić do niebezpiecznych sytuacji.
- **Należy dbać o to, aby uchwyty były suche, czyste i niezaplamione olejem lub smarem.** Śliskie uchwyty i powierzchnie do chwytania mogą doprowadzić do niebezpiecznej manipulacji i/lub do utraty kontroli nad narzędziem.
- **Kable należy trzymać z dala od strefy pracy narzędzia.** W czasie użytkowania kable mogą się schować w krzakach i mogą zostać przypadkowo uszkodzone przez narzędzie.

UŻYWANIE I KONSERWOWANIE NARZĘDZI AKUMULATOROWYCH

- **Do ładowania należy używać wyłącznie ładowarki wskazanej przez producenta.** Użycie ładowarki pochodzącej od jednego akumulatora do ładowania innego akumulatora grozi pożarem.
- **Elektronarzędzi należy używać wyłącznie z dedykowanymi do nich akumulatorami.** Użycie jakichkolwiek innych akumulatorów grozi obrażeniami i pożarem.
- **Jeżeli akumulator nie jest używany, należy go przechowywać z dala od innych przedmiotów metalowych, np. spinaczy, monet, kluczy, gwoździ, śrub i innych drobnych przedmiotów metalowych, które mogłyby spowodować zwarcie wyprowadzeń akumulatora.** Zwarcie wyprowadzeń akumulatora może doprowadzić do oparzenia lub pożaru.

- **W niesprzyjających warunkach może dojść do wycieku cieczy z akumulatora. Należy wtedy unikać wszelkiego kontaktu z tą cieczą. W razie przypadkowego kontaktu ze skórą, zabrudzone miejsca należy obficie przemyć wodą.** Jeżeli płyn dostanie się do oczu, należy dodatkowo zasięgnąć porady lekarza. Płyn wyciekający z akumulatora może powodować podrażnienie lub oparzenia.
- **Nie należy używać akumulatora lub narzędzia, które są uszkodzone lub zostały poddane przeróbkom.** Uszkodzone lub zmodyfikowane akumulatory mogą zachowywać się w sposób nieprzewidywalny, co może doprowadzić do pożaru lub wybuchu lub stwarzać ryzyko urazów.
- **Nie należy narażać akumulatora lub narzędzia na kontakt z ogniem lub zbyt wysokimi temperaturami.** Ogień lub temperatury przekraczające 130 °C mogą doprowadzić do wybuchu.
- **Należy przestrzegać wszystkich instrukcji ładowania. Nie należy ładować akumulatora lub narzędzia poza przedziałem temperatur podanym w instrukcji.** Ładowanie w sposób nieprawidłowy lub w temperaturze wykraczającej poza określony zakres może doprowadzić do uszkodzenia akumulatora i zwiększa ryzyko pożaru.

INNE OSTRZEŻENIA DOTYCZĄCE BEZPIECZEŃSTWA

SZKOLENIE

- Przeczytaj uważnie instrukcje. Należy zapoznać się z elementami sterującymi i metodami poprawnej obsługi urządzenia.
- Nigdy nie należy pozwalać używać urządzenia osobom nieobeznanim z niniejszą instrukcją lub dzieciom. Przepisy lokalne mogą nakładać ograniczenia dotyczące wieku operatora.
- Nigdy nie należy pracować, kiedy w pobliżu znajdują się ludzie, zwłaszcza dzieci lub zwierzęta domowe.
- Należy pamiętać, że operator lub użytkownik ponosi odpowiedzialność za wypadki lub zagrożenia dotyczące osób trzecich lub ich własności.

PRZYGOTOWANIE

- Podczas pracy należy zawsze nosić solidne obuwie i długie spodnie. Nie wolno korzystać ze sprzętu na boso lub w sandałach.
- Należy dokładnie sprawdzić obszar, na którym sprzęt ma być używany i usunąć wszystkie przedmioty, które mogą zostać wyrzucone przez urządzenie.

- Przed użyciem zawsze wizualnie skontroluj, czy narzędzia nie są zużyte lub uszkodzone. Zużyte lub uszkodzone elementy i śruby należy wymieniać razem, aby zachować równowagę.

UŻYTKOWANIE

- Nie należy włączać silnika w ciasnych miejscach, w których mogłyby zbierać się niebezpieczne spaliny zawierające tlenek węgla.
- Prace należy wykonywać tylko przy świetle dziennym lub przy dobrym oświetleniu sztucznym.
- Upewnij się zawsze, że masz punkt oparcia na zboczach.
- Nie biegaj z urządzeniem lub idź.
- W przypadku urządzeń obrotowych na kółkach, pracuj naprzeciw zbrocza, nigdy z góry na dół ani z dołu do góry.
- Zachowaj szczególną ostrożność przy zmianie kierunku na zboczu.
- Nie wolno pracować na nadmiernie stromych stokach.
- Konieczne jest zachowanie szczególnej ostrożności podczas cofania i ciągnięcia urządzenia do siebie.
- Nie wolno zmieniać ustawień regulacji silnika ani dopuszczać do pracy na zbyt wysokich obrotach.
- Silnik należy włączać uważnie i zgodnie z instrukcjami producenta. Stopy należy trzymać w bezpiecznej odległości od narzędzi.
- Nie wolno przybliżać rąk ani nóg do ruchomych części.
- Nigdy nie należy podnosić ani przenosić urządzenia z włączonym silnikiem.
- W urządzeniu należy używać wyłącznie akumulatorów i ładowarek podanych na rys. A.

OBSŁUGA NA ZBOCZACH:

Zbocza są głównym czynnikiem poślizgnięć i upadków, które mogą powodować poważne obrażenia. Upewnij się zawsze, że masz punkt oparcia na zboczach. Obsługa na zboczach wymaga dodatkowej ostrożności. Jeśli nie czujesz się pewnie na zboczach, nie używaj urządzenia.

- Uważaj na dziury, skały, ukryte przedmioty lub wyboje, które mogą spowodować poślizgnięcie lub potknięcie. Wysoka trawa maskuje przeszkody.

SERWISOWANIE

- Serwisowanie urządzenia należy powierzyć wykwalifikowanemu technikowi, a do naprawy używać wyłącznie części zamiennych identycznych z oryginalnymi. Zapewni to bezpieczeństwo eksploatacji narzędzia elektrycznego.

- Uszkodzonych akumulatorów nie należy nigdy naprawiać. Jakikolwiek czynności serwisowe przy akumulatorach powinny być wykonywane wyłącznie przez producenta lub pracowników autoryzowanego serwisu.
- **⚠ OSTRZEŻENIE:** Prosimy przeczytać wszystkie ostrzeżenia i instrukcje oraz przestudiować specyfikację i ilustracje dostarczone wraz z elektronarzędziem. Niestosowanie się do wszystkich podanych niżej instrukcji może doprowadzić do porażenia prądem, pożaru i/lub poważnych obrażeń. Prosimy zachować na przyszłość wszystkie ostrzeżenia i instrukcje.

INSTRUKCJI NIE NALEŻY WYRZUCAĆ

SPECYFIKACJA

Szerokość orki	240 mm	
Głębokość orki	215 mm	
Rozmiar ostrza	215 mm	
Temperatura działania	0°C-40°C	
Temperatura przechowywania	-20°C-70°C	
Ciężar (z osłoną)	3,9 kg	
Mierzony poziom mocy akustycznej L_{WA}	87,6 dB(A) K=2,02 dB(A)	
Poziom ciśnienia dźwięku przy położeniu LPA operatora ear L_{PA}	77,0 dB(A) K=3 dB(A)	
Gwarantowany poziom mocy akustycznej L_{WA} (pomiar zgodnie z dyrektywą 2000/14/WE)	90 dB(A)	
Szacunkowe drgania $a_{h,v}$:	Przedni uchwyt pomocniczy	0,94 m/s ² K= 1,5 m/s ²
	Uchwyt tylny	1,24 m/s ² K= 1,5 m/s ²

- Powyższe parametry są testowane i mierzone na głowicy uniwersalnej PH1400E.
- Deklarowana całkowita wartość drgań została zmierzona zgodnie ze standardowymi metodami testowania i może służyć do porównywania różnych narzędzi;
- Deklarowana całkowita wartość drgań może również służyć do wstępnej oceny narażenia na drgania.

UWAGA: Emisja drań podczas rzeczywistego stosowania elektronarzędzia może różnić się od deklarowanej wartości, w której narzędzie jest używane; aby się zabezpieczyć, użytkownik powinien nosić rękawice i ochronniki na uszy w rzeczywistych warunkach użytkowania.

LISTA ELEMENTÓW W OPAKOWANIU

NAZWA CZĘŚCI	ΠΟΣΟΤΗΤΑ
Końcówka do kultywatora	1
Oslona (ze śrubą)	1
Klucz imbusowy	1
Instrukcja Operatora	1

OPIS

ZAPOZNANIE SIĘ Z KULTYWATOREM (rys. A)

1. ZAŚLEPKA
2. Walek na końcówkę kultywatora
3. Skrzynka przekładniowa
4. Oslona
5. Zewnętrzne ostrza
6. Wewnętrzne ostrza
7. Zawlecza sprężynowa
8. Oslona
9. Klucz imbusowy

MONTAŻ

⚠ OSTRZEŻENIE: W przypadku braku lub uszkodzenia którejś z części nie należy uruchamiać urządzenia aż do momentu wymiany lub naprawy części. Używanie urządzenia z uszkodzonymi lub brakującymi częściami może doprowadzić do poważnych urazów ciała.

⚠ OSTRZEŻENIE: Nie należy próbować przerabiać urządzenia lub tworzyć akcesoriów, które nie są zalecane do używania w produkcie. Wszelkie tego typu zmiany lub modyfikacje są niedozwolone i mogą prowadzić do niebezpiecznych sytuacji oraz poważnych urazów ciała.

⚠ OSTRZEŻENIE: Na czas mocowania lub zdejmowania ostrza oraz podczas wykonywania przy ostrzu czynności konserwacyjnych należy zawsze zakładać solidne rękawice. Należy uważać na ostrze i chronić dłoń przed skaleczeniem ostrzem.

⚠ OSTRZEŻENIE: Przed całkowitym złożeniem kultywatora nie należy podłączać zasilania. Nieprzestrzeżenie tego zalecenia może spowodować przypadkowe uruchomienie i poważne obrażenia ciała.

MONTAŻ OSŁONY

⚠ OSTRZEŻENIE: Zanim podłączyć końcówkę kultywatora do głowicy, zainstaluj osłonę.

1. Poluźnij i wyjmij śrubę z osłony za pomocą klucza imbusowego (Rys. B).
2. Podnieś wałek końcówki kultywatora i wyjmij z niego zaślepkę.
3. Wyrównaj otwór w osłonie z metalową zakładką na końcówce wałka, przełóż osłonę przez wałek aż otwory na śruby w osłonie i metalowa zakładka wyrównają się (Rys. C i D).
4. Za pomocą klucza imbusowego przykręć śrubę zgodnie z ruchem wskazówek zegara, by zablokować osłonę.

Rys. D Opis części patrz poniżej:

D-1	śruba
-----	-------

ZAKŁADANIE KOŃCÓWKI DO KULTYWATORA NA GŁOWICĘ UNIWERSALNĄ

⚠ OSTRZEŻENIE: Nigdy nie należy zakładać ani regulować jakichkolwiek końcówek, gdy głowica uniwersalna pracuje lub z założonym akumulatorem. Niewyłączenie silnika i niewyjęcie akumulatora może spowodować poważne urazy ciała.

Ta końcówka kultywatora została zaprojektowana do używania z głowicą uniwersalną EGO model PH1400E.

1. Wyłączyć silnik i wyjąć akumulator.
2. Poluźnij pokrętło motylkowe na sprzęgaczu głowicy.
3. Jeśli na wałku końcówki znajduje się zaślepka, zdejmij ją i przechowaj w bezpiecznym miejscu do późniejszego stosowania. Wyrównaj strzałkę na wałku kultywatora ze strzałką na sprzęgaczu (Rys. E) i popchnij wałek do sprzęgacza aż usłyszysz dźwięk KLIKNIĘCIA (Rys. F).

Rys. E Opis części patrz poniżej:

E-1	Przycisk odłączania wałka
E-2	Strzałka na sprzęgaczu
E-3	Pokrętło motylkowe
E-4	Strzałka na wałku na końcówkę
E-5	Czerwona linia

Rys. F Opis części patrz poniżej:

F-1	Czerwona linia
-----	----------------

4. Lekko pociągnąć wałek końcówki kultywatora, aby upewnić się, czy jest on dobrze zamocowany w sprzęgaczu. Jeśli tak nie jest, obracaj wałek kultywatora do przodu i do tyłu aż usłyszysz dźwięk KLIKNIĘCIA oznaczający, że się zablokował.
 5. Mocno dokręcić pokrętło motylkowe.
- ⚠ OSTRZEŻENIE:** Przed użyciem urządzenia należy dopilnować, aby pokrętło motylkowe na sprzęgaczu było całkowicie dokręcone, w czasie użytkowania pokrętło należy okresowo kontrolować, aby nie dopuścić do poważnych urazów.

ZDEJMOWANIE KOŃCÓWKI Z GŁOWICY UNIWERSALNEJ

1. Wyłączyć silnik i wyjąć akumulator.
2. Odkręcić pokrętło motylkowe.
3. Z wciśniętym przyciskiem odłączania wałka pociągnij lub obróć wałek końcówki kultywatora, by go wyjąć ze sprzęgacza i głowicy.

UŻYTKOWANIE

⚠ OSTRZEŻENIE: Nie wolno dopuścić do tego, aby znajomość narzędzia doprowadziła do nieuwagi. Należy pamiętać, że do spowodowania poważnych obrażeń wystarczy zaledwie chwila nieuwagi.

⚠ OSTRZEŻENIE: Należy zawsze nosić środki ochrony oczu i uszu. Nieprzestrzeżenie tego zalecenia może doprowadzić do poważnych obrażeń oczu odłamkiem lub skrawkiem materiału wyrzuconym przez pracujące narzędzie, a także grozi innymi możliwymi urazami.

⚠ OSTRZEŻENIE: Nie należy używać końcówek lub akcesoriów innych niż zalecane przez producenta produktu. Używanie końcówek lub akcesoriów innych niż zalecane może doprowadzić do poważnych obrażeń.

ZASTOSOWANIA

Urządzenia można używać wyłącznie do celów podanych poniżej:

- Rozbij glebę w ogrodzie, by przygotować grędy do sadzenia.
- Kop płytko, by usunąć chwasty lub spulchnić glebę wokół roślin, by woda i powietrze łatwiej i głębiej się do nich dostały.
- Nawożenie wierzchniej warstwy gleby kompostem, liśćmi i innymi nawozami organicznymi. Płytkie kopanie spulchni górną warstwę gleby i umożliwi wprowadzenie substancji odżywczych.
- Kopanie rowów lub bruzd w spulchnionej glebie.

UWAGA: Aby uniknąć uszkodzenia kultywatora lub drzew, uważaj, by nie wkręcić ostrzy w duże korzenie drzew. Nie kop zbyt głęboko, gdyż może to uszkodzić płytkie korzenie niektórych roślin.

UŻYWANIE KOŃCÓWKI KULTYWATORA Z GŁOWICĄ UNIWERSALNĄ

⚠ OSTRZEŻENIE: Aby ograniczyć ryzyko obrażeń, podczas pracy narzędziem należy nosić odpowiednią odzież. Nie należy nosić luźnych ubrań ani biżuterii. Należy zakładać okulary ochronne. Noś obuwie ochronne. Należy nosić ciężkie długie spodnie, solidne buty i rękawice. Nie należy nosić krótkich spodni lub sandałów ani używać narzędzia na bosą. Kultywator należy trzymać jedną ręką na uchwycie tylnym, a drugą na przednim uchwycie pomocniczym. Podczas pracy kultywatorem należy mocno trzymać uchwyty obiema rękoma. Kultywator należy trzymać wygodnie z tylnym uchwytem znajdującym się mniej więcej na wysokości bioder.

Zawsze należy dbać o utrzymanie równowagi na obu nogach i o dobrą przyczepność (Rys. G).

Możesz pracować poruszając kultywatorem do przodu i do tyłu, z lewej do prawej strony, z prawej do lewej lub kulistymi ruchami. Wybierz najlepszy sposób zgodny z Twoim zamiarem, który będzie zależał od kształtu i rozmiaru obszaru oraz warunków gleby.

Praca zmiennym ruchem do przodu i do tyłu jest szczególnie użyteczna do spulchniania gleby.

Podczas kopania rowów lub bruzd wolno iść do tyłu i ciągnij kultywator, by tworzyć bruzdy. Powtórz, jeśli chcesz uzyskać głębsze bruzdy.

UWAGA: Ostrożne ciągnięcie kultywatora podczas kopania w glebie zmniejszy wysiłek i ułatwi orkę.

Wyrzucone materiały mogą doprowadzić do ciężkich urazów operatora lub osób postronnych. Aby ograniczyć ryzyko obrażeń ciała, bardzo ważne jest podjęcie następujących środków ostrożności:

- Kontroluj i usuń z obszaru wszystkie ukryte przedmioty, takie jak szkło, kamienie, skałki, beton, przewody ogrodzenia, części metalu, itp., które mogą być wyrzucone lub mogą zablokować ostrza. Unikaj kontaktu z twardymi lub solidnymi obcymi przedmiotami.
- Regularnie kontroluj ostrza, by sprawdzić, czy nie są uszkodzone lub po uderzeniu w twarde przedmioty. Nie należy kontynuować pracy, gdy ostrze jest uszkodzone.
- Zawsze trzymaj kultywator obiema rękoma podczas obsługi. Silnie chwyć oba uchwyty.
- Przesuń kultywator do obszaru pracy przed rozpoczęciem pracy i uruchom kultywator na najniższej prędkości.

Przed każdym użyciem należy sprawdzić, czy jakieś części nie są uszkodzone i/ lub zużyte. Skontrolować ostrza, osłonę i przedni uchwyt pomocniczy oraz wymienić części pęknięte, wypaczone, skrzywione lub uszkodzone w jakikolwiek sposób.

Wyczyść kultywator po każdym użyciu.

WŁĄCZANIE/WYŁĄCZANIE NARZĘDZIA

Więcej informacji – patrz część „WŁĄCZANIE/WYŁĄCZANIE GŁOWICY UNIWERSALNEJ” w instrukcji do głowicy uniwersalnej PH1400E.

KONSERWACJA

⚠ OSTRZEŻENIE: Podczas prac serwisowych używaj wyłącznie części zamiennych identycznych z oryginalnymi. Używanie jakichkolwiek innych części stwarza ryzyko i może spowodować usterkę produktu. Aby zagwarantować bezpieczeństwo i niezawodność, wszystkie naprawy powinny być wykonywane przez wykwalifikowanych techników serwisu.

⚠ OSTRZEŻENIE: Narzędzia akumulatorowe nie wymagają podłączenia do kontaktu elektrycznego i dlatego są zawsze gotowe do pracy. Aby zapobiec poważnym urazom ciała, podczas wykonywania czynności konserwacyjnych, w czasie serwisowania lub wymiany końcówek tnących lub innych należy stosować dodatkowe środki ostrożności.

⚠ OSTRZEŻENIE: Aby uniknąć poważnych urazów, wyjmij akumulator z głowicy uniwersalnej i odczekaj, aż wszystkie ostrza zatrzymają się przed serwisowaniem, czyszczeniem, ładowaniem dodatkowych akcesoriów lub gdy produkt nie jest używany.

⚠ OSTRZEŻENIE: Na czas mocowania lub zdejmowania ostrza oraz podczas wykonywania przy ostrzu czynności konserwacyjnych należy zawsze zakładać solidne rękawice. Należy uważać na ostrze i chronić dłoń przed skażeniem ostrzem.

KONSERWACJA OGÓLNA

⚠ OSTRZEŻENIE: Nigdy nie należy dopuszczać do zetknięcia się części plastikowych z substancjami takimi jak płyn hamulcowy, benzyna, produkty ropopochodne, oleje penetrujące itp. Substancje chemiczne mogą uszkodzić, osłabić lub zniszczyć plastik i spowodować poważne obrażenia ciała.

PL

⚠ OSTRZEŻENIE: Podczas czyszczenia końcówki kultywatora, NIE zanurzaj jej w wodzie ani innych płynach. Nie czyść urządzenia myjką wysokociśnieniową. Silny strumień wody może uszkodzić części urządzenia.

- Należy dbać o to, aby wszystkie nakrętki, śruby i wkręty były mocno dokręcone, tak aby sprzęt był w pełni sprawny i działał w sposób całkowicie bezpieczny.
- Aby ograniczyć ryzyko pożaru, z silnika, tłumika, schowka na baterii, należy usunąć wszelki materiał roślinny oraz nadmiar smaru.
- Wymień zużyte lub uszkodzone części dla bezpieczeństwa.

KONSERWACJA OSTRZA

- Regularnie smaruj ostrza smarem antykorozyjnym.
- Jeśli jedno z ostrzy należy wymienić na skutek zużycia, wymień wszystkie cztery ostrza, dla lepszej skuteczności.

Wszystkie serwisy kultywatora, inne niż wymienione w niniejszej instrukcji konserwacji, powinny być wykonane przez autoryzowany serwisowy.

Do wymiany

Kultywator jest wyposażony w cztery ostrza - dwa wewnętrzne ostrza i dwa zewnętrzne ostrza. By kultywator poprawnie działał, ostrza należy zamontować w poprawnym kierunku. Symbol L i R są oznaczone na ostrzach (Rys. H i I).

Rys. H i I Opis części patrz poniżej:

H-1	Wałek napędowy	H-7	Zawleczka sprężynowa
H-2	Wewnętrzny rękaw	I-1	Zawleczka sprężynowa
H-3	Zewnętrzny rękaw	I-2	Zewnętrzne ostrze oznaczone R
H-4	Symbol L	I-3	Wewnętrzne ostrze oznaczone R
H-5	Wewnętrzne ostrze oznaczone L	I-4	Symbol R
H-6	Zewnętrzne ostrze oznaczone L		

UWAGA: OSTRZA Z ZĘBAMI SKIEROWANE W OBU KIERUNKACH MUSZĄ BYĆ ZAMONTOWANE WEWNĄTRZ, JAK NABLIŻEJ SKRZYNKI PRZEKŁADNIOWEJ

1. Należy nosić rękawice.
2. Włóż wewnętrzne ostrze, oznaczone L, którego zęby są skierowane w obie strony, po lewej stronie skrzynki przekładniowej.
3. Włóż zewnętrzne ostrze, oznaczone L (zęby są skierowane tylko w jedną stronę) po tej samej stronie, z zewnętrzną tuleją ustawioną przy wewnętrznym ostrzu.
4. Aby zamocować ostrze na wałku napędowym, włóż zawleczkę sprężynową do otworu blokującego 1. Zob. Rys. J, K, L i N.
5. Przekręć narzędzie z zainstalowanym ostrzem opartym o podłoże.
6. Włóż wewnętrzne ostrze, oznaczone R, którego zęby są skierowane w obie strony, po prawej stronie skrzynki przekładniowej.
7. Włóż zewnętrzne ostrze, oznaczone R (zęby są skierowane tylko w jedną stronę) po tej samej stronie, z zewnętrzną tuleją ustawioną przy wewnętrznym ostrzu.
8. Aby zamocować ostrze na wałku napędowym, włóż zawleczkę sprężynową do otworu blokującego 1 i przekręć zawleczkę o 90°. Zob. Rys. J, K, L i N.

⚠ OSTRZEŻENIE: Urządzenie nie będzie działać poprawnie lub możesz być zagrożeniem dla operatora lub osób postronnych, jeśli ostrza nie są poprawnie zainstalowane. Jeśli zauważyłś jakiś problem podczas kopania narzędziem, skontroluj, czy ostrze jest właściwie ustawione.

OSTRZA Z ZĘBAMI SKIEROWANE W OBU KIERUNKACH MUSZĄ BYĆ ZAMONTOWANE WEWNĄTRZ, JAK NABLIŻEJ SKRZYNKI PRZEKŁADNIOWEJ.

Wyreguluj

Podczas orki na małym obszarze lub między rzędami, kultywatora można używać tylko z zainstalowanym wewnętrznym ostrzem.

Noś rękawice i wyjmij dwie zawleczki sprężynowe, by wyjąć dwa zewnętrzne ostrza (Rys. M). Następnie włóż zawleczki do otworu blokującego 2 (Rys. N i O).

Rys. N Opis części patrz poniżej:

N-1	Otwór blokujący 1
N-2	Otwór blokujący 2

UWAGA: Nie forsuj ostrzy przy ich wkładaniu lub wyjmowaniu z wałka napędowego. Jeśli napotykasz trudności przy wyjmowaniu ostrzy, lekko nasmaruj olejem wałek. Przy ponownym zakładaniu ostrzy upewnij się, że z wałka i ostrzy został usunięty olej.

CZYSZCZENIE URZĄDZENIA

Części roślin, takie jak korzenie, mogą owinąć się wokół lub między ostrzami obrotowymi podczas działania. Aby wyczyścić ostrza obrotowe:

- Wyjąć akumulator.
- Należy nosić rękawice. Usuń kawałki korzeni, zapchaną glebę lub rośliny z ostrza, osłony lub ze skrzynki przekładniowej. Dla dokładniejszego czyszczenia wyjmij ostrza i osłonę i dokładnie je umyj. Poniższy rozdział przedstawia szczegółowe etapy ponownej instalacji.

“WYMIANA LUB REGULACJA OSTRZY”.

- Powierzchnię narzędzia przetrzeć czystą szmatką zwilżoną roztworem mydła.

PRZECHOWYWANIE URZĄDZENIA

- Wyjąć akumulator z narzędzia.
- Wyjmij końcówkę kultywatora z głowicy i załóż zaślepkę na wałek końcówki, by uniknąć penetracji brudu do złączy.
- Urządzenie należy przechowywać w suchym, dobrze wentylowanym miejscu niedostępnym dla dzieci. Urządzenia nie należy używać na nawozach lub w ich pobliżu, to samo dotyczy podłoży zanieczyszczonych benzyną i substancjami chemicznymi.

Ochrona środowiska



Urządzeń elektrycznych, ładowarki do akumulatorów oraz akumulatorów/baterii akumulatorowych nie należy wyrzucać do zwykłych zmieszanych śmieci domowych! Zgodnie z dyrektywami Wspólnoty Europejskiej, odpowiednio nr 2012/19/UE i 2006/66/WE, urządzenia elektryczne i elektroniczne nienadające się dłużej do użycia oraz uszkodzone lub zużyte akumulatory/baterie trzeba zbierać oddzielnie. Wyrzucenie urządzeń elektrycznych na wysypisko grozi wyciekami niebezpiecznych substancji do wód gruntowych i przedostaniem się ich do łańcucha pokarmowego, ze szkodą dla zdrowia i jakości życia użytkownika.

ROZWIĄZYWANIE PROBLEMÓW

PROBLEM	PRZYCZYNA	ROZWIĄZANIE
Kultywator nie uruchamia się.	<ul style="list-style-type: none"> ■ Akumulator nie jest poprawnie podłączony do głowicy. ■ Głowica uniwersalna i akumulator nie kontaktują. ■ Akumulator jest rozładowany. 	<ul style="list-style-type: none"> ■ Włożyć akumulator do głowicy. ■ Wyjąć akumulator, sprawdzić styki i założyć akumulator z powrotem do oporu. ■ Naładować akumulator jedną z ładowarek EGO podanych w niniejszym podręczniku. ■ Aby włączyć narzędzie, wcisnąć i przytrzymać dźwignię odblokowującą, a następnie nacisnąć spust.
Kultywator zatrzymuje się podczas orki.	<ul style="list-style-type: none"> ■ Silnik jest przeladowany. ■ Akumulator jest zbyt gorący. ■ Ostrza zablokowały się. ■ Akumulator nie jest podłączony do urządzenia. ■ Bateria jest prawie wyczerpana 	<ul style="list-style-type: none"> ■ Gdy tylko obciążenie zostanie usunięte, silnik wznowi pracę. [Przy ciągłej pracy zmniejsz obciążenie kultywatora i unikaj głębokiej orki, zamiast tego wykonuj stopniowo głębsze rowki. ■ Pozwolić, aby akumulator ostygł do temperatury poniżej 67°C. ■ Wyjmij akumulator z głowicy, ręcznie obróć ostrza do tyłu i do przodu, by usunąć kamienie lub inne przeszkody z ostrzy lub między ostrzami oraz skrzynką przekładniową. ■ Ponownie założyć akumulator. ■ Naładować akumulator jedną z ładowarek EGO podanych w niniejszym podręczniku.

PL

GWARANCJA

POLITYKA GWARANCYJNA EGO

W celu zapoznania się z wszystkimi warunkami polityki gwarancyjnej EGO prosimy odwiedzić stronę egopowerplus.com.

PŘEČTĚTE SI VŠECHNY POKYNY!



PŘEČTĚTE SI A SEZNAMTE SE S NÁVODEM K OBSLUZE

⚠ Zbytkové riziko! Lidé s elektronickými přístroji, jako jsou např. kardiostimulátory, by se měli před použitím toho výrobku poradit se svým lékařem. Použití elektrického zařízení v těsné blízkosti kardiostimulátoru může způsobit narušení činnosti nebo poruchu kardiostimulátoru.

⚠ VAROVÁNÍ: Z důvodu bezpečnosti by měl všechny opravy a výměny provádět kvalifikovaný servisní technik.

BEZPEČNOSTNÍ SYMBOLY

Účelem bezpečnostních symbolů je upoutat vaši pozornost k případným nebezpečím. Bezpečnostní symboly a jejich vysvětlení vyžadují vaši zvýšenou pozornost a porozumění. Výstražné symboly samy o sobě nevylučují žádné nebezpečí. Pokyny a varování nejsou náhradou vhodných opatření pro prevenci úrazů.

⚠ VAROVÁNÍ: Před použitím tohoto nástroje si přečtěte a seznamte se se všemi bezpečnostními pokyny v tomto návodu k obsluze včetně veškerých výstražných symbolů, jako např. „**NEBEZPEČÍ**“, „**VAROVÁNÍ**“ nebo „**UPOZORNĚNÍ**“. Nedodržení níže uvedených pokynů může mít za následek úraz elektrickým proudem, požár a nebo vážná poranění osob.

VÝZNAM SYMBOLŮ

⚠ Bezpečnostní výstražný symbol: Upozorňuje na **NEBEZPEČÍ, VAROVÁNÍ, NEBO UPOZORNĚNÍ**. Může být použit ve spojení s dalšími symboly nebo piktogramy.



⚠ Varování! Při použití elektrického nářadí může dojít k vymrštění cizích těles do očí, což může způsobit jejich závažné poškození. Před použitím elektrického nářadí si vždy nasadte ochranné brýle, ochranné brýle s bočním krytem nebo v případě potřeby obličejový štít. Na brýle nebo standardní ochranné brýle s bočními kryty doporučujeme použít ochrannou masku.

BEZPEČNOSTNÍ POKYNY

Na této stránce jsou zobrazeny a popsány bezpečnostní symboly, které se mohou objevit na výrobku. Před montáží a provozem si přečtěte, seznamte se a dodržujte veškeré pokyny ke stroji.

	Bezpečnostní upozornění	Upozorňuje na možné riziko úrazu.
	Přečtěte si a pochopte návod k obsluze.	Z důvodu snížení rizika úrazu si musí uživatel před použitím tohoto výrobku přečíst a seznámit se s návodem k obsluze.
	Používejte ochranu sluchu.	Při práci s tímto výrobkem vždy používejte chrániče sluchu.
	Používejte ochranu očí	Při práci s tímto výrobkem vždy noste ochranné brýle nebo bezpečnostní brýle s bočními ochrannými štíty.
	Používejte ochranné rukavice.	Chraňte své ruce rukavicemi při manipulaci s čepeli. Odolné protiskluzové rukavice zlepšují váš úchop a chrání ruce.
	Používejte ochrannou obuv.	Při použití tohoto zařízení noste protiskluzovou bezpečnostní obuv.
	Odraz	Vržené objekty se mohou odrazit a mít za následek zranění osob nebo poškození majetku.
	Dodržujte bezpečnou vzdálenost nohou	Aby se snížilo riziko pořežání, udržujte nohy v bezpečné vzdálenosti od rotujících čepelí.
	Udržujte ostatní osoby v bezpečné vzdálenosti.	Udržujte kolemstojící osoby v bezpečné vzdálenosti
	CE	Tento výrobek je v souladu s platnými směrnici ES.

CZ

	WEEE	Odpadní elektrické výrobky se nesmí likvidovat s domovním odpadem. Odevzdejte do autorizovaného recyklačního střediska.
	Hlučnost	Garantovaná hladina akustického výkonu.
	Nevystavujte ji dešti.	Nepoužívejte v daždi, alebo nenechajte vonku, keď prší.
IPX4	Symbol IP	Ochrana proti vniknutí vody stupeň 4
V	Voltů	Napětí
mm	Milimetr	Délka nebo velikost
kg	Kilogram	Hmotnost

CZ
OBECNÁ BEZPEČNOSTNÍ VAROVÁNÍ PRO PRÁCI S ELEKTRICKÝM NÁŘADÍM

VAROVÁNÍ: Přečtěte si všechny bezpečnostní výstrahy, pokyny, ilustrace a technické údaje dodané s tímto elektrickým nářadím. Nedodržení všech níže uvedených pokynů může vést k úrazu elektrickým proudem, požáru a / nebo vážnému úrazu.

Všechna varování a pokyny si uschovejte pro budoucí použití.

BEZPEČNOST NA PRACOVIŠTI

- Udržujte pracovní prostor v čistotě a dobře osvětlený. Nepořádek nebo neosvětlené pracovní oblasti mohou vést k úrazům.
- Nepracujte s elektrickým nářadím ve výbušném prostředí, například v přítomnosti hořlavých kapalin, plynů nebo prachu. Elektrické nářadí je zdrojem jiskření, které může zapálit prach nebo výpary.
- Při práci s elektrickým nářadím udržujte děti a přihlízející osoby v bezpečné vzdálenosti. Při rozptýlení můžete ztratit kontrolu nad zařízením.

ELEKTRICKÁ BEZPEČNOST

- Nevystavujte elektrické nářadí dešti nebo vlhkému prostředí. Vniknutí vody do elektrického nářadí zvyšuje riziko úrazu elektrickým proudem.

BEZPEČNOST OSOB

- Zůstaňte stále pozorní, sledujte, co děláte a používejte zdravý rozum při práci s elektrickým nářadím. Nepoužívejte elektrické nářadí, jste-li unaveni nebo pod vlivem drog, alkoholu nebo léků. Chvilka nepozornosti při práci s nářadím může vést k vážnému zranění.
- Vždy používejte osobní ochranné prostředky. Osobní ochranné prostředky, jako např. ochrana očí, respirátor, protiskluzová bezpečnostní obuv, pevná přilba a / nebo chrániče sluchu používané ve vhodném prostředí snižují riziko úrazu.
- Zabraňte náhodnému spuštění. Před připojením baterie, zvednutím nebo přenášením nářadí se ujistěte, že je spínač ve vypnuté poloze. Přenášení nářadí s prstem na hlavním spínači nebo zapojení nářadí, které má spínač v zapnuté poloze, může způsobit nehody.
- Před zapnutím elektrického nářadí odstraňte seřizovací klíče nebo klíče. Nářadí nebo klíč, který ponecháte připevněn k pohybující se části elektrického nářadí, může způsobit osobní zranění.
- Nepřeceňujte se. Vždy udržujte pevný postoj a rovnováhu. To umožňuje lepší ovladatelnost nářadí v neočekávaných situacích.
- Vhodně se oblékejte. Nenoste volný oděv ani šperky. Udržujte své vlasy a oblečení mimo dosah pohybujících se částí. Volný oděv, šperky nebo dlouhé vlasy se mohou zachytit do pohybujících se částí.
- Pokud je zařízení vybaveno adaptérem pro připojení odsávání prachu a sběrnými zařízeními, zajistěte jejich správné připojení a řádnou funkci. Použití odsávání prachu může snížit nebezpečí týkající se prachu.
- Nedovoľte, abyste se po získání zkušeností častým používáním nástrojů stali neobezřetnými a ignorovali zásady bezpečnosti. Nedbalá činnost může způsobit vážné zranění za zlomek sekundy.

POUŽITÍ A PÉČE O ELEKTRICKÉ NÁŘADÍ

- Netlačte příliš na nářadí. Používejte správný typ nářadí pro vaši aplikaci. Správné elektrické nářadí bude pracovat lépe a bezpečněji rychleji, pro kterou bylo navrženo.
- Nepoužívejte nářadí, pokud ho spínač nezapne a nevypne. Jakékoliv elektrické nářadí, které nelze ovládat spínačem, je nebezpečné a musí být opraveno.

- Před odstraňováním uvizlého materiálu, před prováděním jakéhokoliv nastavení, výměnou příslušenství, čištěním, nebo uložením elektrického nářadí vyjměte akumulátor, pokud je vyjímatelný, a / nebo aktivujte zámek blokuující nářadí. Tato preventivní bezpečnostní opatření snižují riziko náhodného spuštění nářadí.
- Uložte elektrické nářadí mimo dosah dětí a nedovolte ostatním osobám, které nejsou seznámeny s elektrickým nářadím nebo s tímto návodem, aby s nářadím pracovali. Elektronářadí je nebezpečné v rukou nekalifikované obsluhy.
- Udržujte elektrické nářadí a příslušenství. Zkontrolujte vychýlení či zaseknutí pohyblivých částí, poškození jednotlivých dílů a jiné okolnosti, které mohou ovlivnit chod nářadí. Je-li nářadí poškozeno, nechejte ho před použitím opravit. Mnoho nehod je způsobeno nedostatečnou údržbou nářadí a příslušenství.
- Udržujte řezné nástroje ostré a čisté. Řádně udržované řezné nástroje s ostrými řeznými břity jsou méně náchylné k zanášení nečistotami a lépe se ovládají.
- Používejte elektrické nářadí, příslušenství a koncové nástavce atd. v souladu s těmito pokyny s přihlédnutím k pracovním podmínkám a práci, která má být provedena. Použití elektrického nástroje na činnosti jiné, než je určující použití, může vést k nebezpečným situacím.
- Udržujte rukojeti a uchopovací plochy suché, čisté, bez oleje a maziva. Kluzké rukojeti a uchopovací plochy mohou vést k nebezpečné manipulaci a / nebo ztrátě kontroly nad nářadím.
- Udržujte kabely mimo pracovní oblast nářadí. Během provozu nemusí být kabely vidět a mohou být nářadím náhodně poškozeny.
- **POUŽITÍ A PÉČE O AKUMULÁTOROVÉ NÁŘADÍ**
- Nabíjejte pouze v nabíječce určené výrobcem. Nabíječka vhodná pro jeden typ akumulátoru může způsobit riziko požáru při použití s jiným akumulátorem.
- Používejte elektrické nářadí pouze s výslovně určenými akumulátory. Použití jiných akumulátorů může způsobit riziko úrazu a požáru.
- Pokud akumulátor nepoužíváte, držte jej z dosahu kovových předmětů, jako jsou kancelářské sponky na papír, mince, klíče, hřebíky, šroubky nebo další drobné kovové předměty, které mohou spojit vývody baterie navzájem. Zkratování kontaktů baterie může způsobit spálení nebo požár.

- V nevhodných podmínkách může kapalina unikat z baterie. Zabraňte kontaktu. Při náhodném kontaktu opláchněte vodou. Při zasažení očí kapalinou vyhledejte lékařskou pomoc. Unikající kapalina z akumulátoru může způsobit podráždění pokožky nebo popáleniny.
- Nepoužívejte akumulátor nebo nástroj, který je poškozen nebo upraven. Poškozené nebo upravené baterie mohou mít nepředvídatelné chování, které může vést k požáru, výbuchu nebo nebezpečí zranění.
- Nevystavujte akumulátor ani nástroj ohni nebo nadměrné teplotě. Při vystavení ohni nebo teplotě nad 130 ° C může dojít k výbuchu.
- Dodržujte všechny pokyny pro nabíjení a nenabíjejte baterii nebo nářadí mimo rozsah teplot uvedených v pokynech. Nesprávné nabíjení nebo při teplotách mimo stanovený rozsah může poškodit akumulátor a zvýšit riziko požáru.

DALŠÍ BEZPEČNOSTNÍ VAROVÁNÍ ŠKOLENÍ

- Pečlivě si přečtěte tyto pokyny. Seznamte se s ovládacími prvky a správným použitím stroje.
- Osoby, které se neseznámily s těmito pokyny, nebo děti nesmí stroj používat. Místní předpisy mohou omezovat věk obsluhy.
- Nikdy nepracujte, pokud jsou v blízkosti osoby, zejména děti, nebo domácí zvířata.
- Nezapomínejte, že obsluha nebo uživatel je zodpovědný za nehody nebo ohrožení jiných osob nebo jejich majetku.

PŘÍPRAVA

- Během práce vždy noste pevnou obuv a dlouhé kalhoty. Nepoužívejte nářadí, když jste bosí, nebo máte na nohou otevřené sandály.
- Důkladně zkontrolujte oblast, kde se má nářadí používat, a odstraňte všechny předměty, které mohou být odhozeny strojem.
- Před použitím vždy vizuálně zkontrolujte, zda nástroje nejsou opotřebené nebo poškozené. Opotřebené nebo poškozené prvky a šrouby vyměňujte v sadách z důvodu zachování vyvážení.

POUŽITÍ

- Neprovodujte motor v uzavřeném prostoru, kde mohou vznikat nebezpečné výpary oxidu uhelnatého.
- Pracujte pouze za denního světla nebo při dobrém umělém osvětlení.
- Ve svahu vždy dbejte na pevný postoj.
- Kráčejte, nikdy se strojem neběhejte.

GZ

- S kolovými rotačními stroji pracujte ve svahu podélně, nikdy nahoru a dolů.
- Dbejte zvýšené opatrnosti při změně směru svahu.
- Nepracujte na příliš prudkých svazích.
- Dbejte zvýšené opatrnosti při jízdě vzad, nebo tažení stroje směrem k vám.
- Neměňte nastavení regulátoru motoru, nebo nepřekračujte otáčky motoru.
- Startujte motor opatrně podle pokynů výrobce a s nohama daleko od nástroje.
- Nestrkejte ruce ani nohy do blízkosti nebo pod rotující části.
- Během chodu motoru nikdy nezvedejte ani nepřenášejte stroj.
- Používejte pouze akumulátory a nabíječky uvedené na obr. A.

POUŽITÍ NA SVAHU:

Svahy jsou hlavním faktorem souvisejícím s nehodami při uklouznutí a pádu, což může vést k vážnému úrazu. Ve svahu vždy dbejte na pevný postoj. Použití na svazích vyžaduje zvýšenou opatrnost. Pokud se na svahu cítíte nejistí, stroj nepoužívejte.

- Dávejte pozor na díry, vyjeté koleje, kameny, skryté předměty nebo hrboly, na kterých můžete uklouznout nebo klopýtnout. Ve vysoké trávě se mohou skrývat překážky.

SERVIS

- Svěřte opravu vašeho nářadí kvalifikované osobě používající pouze shodné náhradní díly. Tím zajistíte bezpečnost elektrického nářadí.
- Nikdy neopravujte poškozené akumulátory. Servis akumulátorů smí provádět pouze výrobce nebo autorizovaní poskytovatelé služeb.

VAROVÁNÍ: Přečtěte si všechny bezpečnostní výstrahy, pokyny, ilustrace a technické údaje dodané s tímto elektrickým nářadím. Nedodržení všech níže uvedených pokynů může vést k úrazu elektrickým proudem, požáru a / nebo vážnému úrazu. Všechna varování a pokyny si uschovejte pro budoucí použití.

TYTO POKYNY USCHOVEJTE PRO BUDOUCÍ POUŽITÍ

SPECIFIKACE

Šířka obrábění	240 mm	
Hloubka obrábění	215 mm	
Velikost čepele	215 mm	
Provozní teplota	0°C-40°C	
Skladovací teplota	-20°C-70°C	
Hmotnost (včetně chrániče)	3,9 kg	
Měřená hladina akustického výkonu L_{WA}	87,6 dB(A) K=2,02 dB(A)	
Hladina akustického tlaku na sluch obsluhy L_{PA}	77,0 dB(A) K=3 dB(A)	
Gwarantowany poziom mocy akustycznej L_{WA} (pomiar zgodnie z dyrektywą 2000/14/WE)	90 dB(A)	
Ohodnotenie vibrácií a_{i1} :	Přední pomocná rukojeť	0,94 m/s ² K= 1,5 m/s ²
	Zadní rukojeť	1,24 m/s ² K= 1,5 m/s ²

- Výše uvedené parametry jsou testovány a měřeny s nástrojem vybaveným pohonnou hlavou PH1400E.
- Deklarovaná celková úroveň vibrací byla měřena v souladu se standardní zkušební metodou a může být použita pro srovnání jednoho nástroje s jiným;
- Deklarovaná celková hodnota vibrací může být také použita při předběžném posouzení expozice.

POZNÁMKA: Emise vibrací při konkrétním použití elektrického nářadí se mohou lišit od deklarované hodnoty, při které se nářadí používá; z důvodu ochrany provozovatele by měl uživatel ve skutečných pracovních podmínkách nosit rukavice a chrániče sluchu.

OBSAH BALENÍ

NÁZEV DÍLU	MNOŽSTVÍ
Nástavec pro kultivátor	1
Chránič (se šroubem)	1
Imbusový klíč	1
Návod k obsluze	1

POPIS

SEZNAMTE SE S VAŠIM KULTIVÁTOREM (obr. A)

1. KONCOVKA
2. Nástavcová hřídel kultivátoru
3. Převodovka
4. Objímka
5. Vnější čepele
6. Vnitřní čepele
7. Závěsný kolík
8. Kryt
9. Imbusový klíč

MONTÁŽ

⚠ VAROVÁNÍ: Pokud jsou některé díly poškozené, nebo chybí, nepoužívejte výrobek, dokud se díly nevymění. Použití tohoto výrobku s poškozenými nebo chybějícími díly může vést k vážnému úrazu.

⚠ VAROVÁNÍ: Nepokoušejte se výrobek upravovat ani vytvářet příslušenství, které se k tomuto výrobku nedoporučuje. Každá taková změna nebo úprava je zneužití a může vést k nebezpečné situaci, která může zapříčinit vážný úraz.

⚠ VAROVÁNÍ: Vždy používejte pevné rukavice při instalaci nebo odstraňování čepele nebo provádění jakékoliv údržby na čepeli. Dávejte pozor na čepel a chráňte svoje ruce před poraněním čepelí.

⚠ VAROVÁNÍ: Nepřipojujte kultivátor k pohonné hlavě před dokončením sestavení. Nedodržení tohoto pokynu může vést k náhodnému startu a možnému vážnému poranění.

MONTÁŽ CHRÁNIČE

⚠ VAROVÁNÍ: Nasadte chránič před připojením nástavce pro kultivátor k pohonné hlavě.

1. Povolte a odstraňte šroub z chrániče pomocí imbusového klíče (obr. B).
2. Zvedněte hřídel nástavce pro kultivátor a odstraňte koncovku z hřídele.
3. Srovnejte štěrbinu v chrániči s kovovým výstupkem na konci hřídele, nasuňte chránič na hřídel, dokud nejsou otvory pro šrouby v chrániči a kovový výstupek zarovnaný (obr. C a D).

4. Pro utažení šroubu ve směru hodinových ručiček použijte imbusový klíč, abyste bezpečně zajistili chránič.

Opis dílů na obr. D viz níže:

D-1	Šroub
-----	-------

PŘIPOJENÍ NÁSTAVCE PRO KULTIVÁTOR NA POHONNOU HLAVU

⚠ VAROVÁNÍ: Nikdy nepřipojujte nebo neupravujte nástavec, když pohonná hlava běží nebo je nainstalovaná baterie. Neschopnost zastavit motor a vyjmout baterii může způsobit vážné zranění.

Tento nástavec pro kultivátor je určen pro použití s pohonnou hlavou EGO PH1400E.

1. Zastavte motor a odstraňte akumulátor.
2. Uvolněte křídlový knoflík na spojovací pohonné hlavy.
3. Pokud je koncovka umístěna na nástavcové hřídeli, sejměte ji a uložte ji na bezpečném místě pro pozdější použití. Srovnejte šípku na hřídeli kultivátoru se šípkou na spojovači (obr. E) a zatlačte hřídel kultivátoru do spojovače, dokud neuslyšíte jasně „CVAKNUTÍ“ (obr. F).

Opis dílů na obr. E viz níže:

E-1	Tlačítko pro uvolnění hřídele
E-2	Šípka na spojovači
E-3	Křídlový knoflík
E-4	Šípka na nástavcové hřídeli
E-5	Červená značka

Opis dílů na obr. F viz níže:

F-1	Červená značka
-----	----------------

4. Mírně povytáhněte hřídel nástavce pro kultivátor pro ověření jeho bezpečného zajištění ve spojovači. Pokud tomu tak není, otočte hřídel kultivátoru dopředu a dozadu v spojovači, dokud neuslyšíte jasně „CVAKNUTÍ“, že je zapojen.
5. Dobře utáhněte křídlový knoflík.

⚠ VAROVÁNÍ: Před uvedením zařízení do provozu se ujistěte, že křídlový knoflík na spojovači je pevně utažen; během používání pravidelně kontrolujte jeho dotažení, aby nedošlo k vážnému zranění.

ODPOJENÍ NÁSTAVCE Z POHONNÉ HLAVY

1. Zastavte motor a odstraňte akumulátor.

CZ

2. Uvolněte křídlový knoflík.
3. Se stisknutým tlačítkem pro uvolnění hřídele vytáhněte hřídel nástavce pro kultivátor ze spojovače a vytáhněte jej z pohonné hlavy.

POUŽITÍ

VAROVÁNÍ: Dbejte, abyste se po seznámení s výrobkem nestali neopatrní. Nezapomínejte, že stačí chvíle nepozornosti a může se stát vážný úraz.

VAROVÁNÍ: Vždy používejte ochranu zraku spolu s chrániči sluchu. Pokud tak neučíníte, může dojít k vymrštění předmětu do očí, nebo případně jiným vážným úrazům.

VAROVÁNÍ: Nepoužívejte nástavce nebo příslušenství, které nedoporučuje výrobce tohoto výrobku. Použití nedoporučených nástavců a příslušenství může vést k vážnému úrazu.

APLIKACE

Výrobek lze použít k následujícím účelům:

- Rozbíjení zahradní půdy k přípravě semenných lůžek k opětovné výsadbě. Mělká kultivace pro vykořenění plevelů nebo uvolnění půdy kolem rostlin, což usnadňuje pronikání vzduchu nebo vody hluboko do půdy.
- Vrchní ošetření půdy kompostem, listy nebo jinými organickými hnojivy. Mělká kultivace uvolní vrchní kůru půdy a integruje přidané živiny.
- Žlábkování nebo brázdění v uvolněné půdě.

POZNÁMKA: Abyste zabránili poškození kultivátoru nebo stromů, dbejte na to, abyste nezachytili čepelími o velké kořeny stromů. Nepoužívejte kultivátor do příliš velké hloubky, protože by to mohlo poškodit mělké kořeny některých rostlin.

POUŽITÍ NÁSTAVCE PRO KULTIVÁTOR S POHONNOU HLAVOU

VAROVÁNÍ: Pro práci s tímto náradím se vhodně oblékněte, abyste snížili riziko úrazu. Nenoste volný oděv ani šperky. Používejte ochranu očí. Používejte ochrannou obuv. Noste odolné, dlouhé kalhoty, pevné boty a rukavice. Nenoste krátké kalhoty, sandály ani nechodte bosí. Uchopte kultivátor jednou rukou za zadní rukojeť a druhou rukou za přední rukojeť. Udržujte pevný úchop oběma rukama při provozu kultivátoru. Kultivátor by se měl držet v pohodlné poloze se zadní rukojetí ve výšce kyčelního kloubu.

Udržujte váš úchop a rovnováhu na obou nohách (obr. G).

Můžete pracovat s kultivátorem směrem dopředu nebo dozadu, zleva doprava, zprava doleva nebo s kruhovým pohybem. Vyberte nejlepší způsob, který bude vyhovovat vašemu účelu a který bude záviset na tvaru a velikosti plochy a půdních podmínkách.

Práce střídavým pohybem dozadu a dopředu je zvláště vhodná pro rozbíjení hroudovitě půdy.

Při žlábkování nebo brázdění postupujte pomalu dozadu a táhněte kultivátor, abyste vytvořili brázdou. Opakujte podle potřeby, abyste získali hlubší brázdou.

POZNÁMKA: Pečlivě přitahování kultivátoru směrem k sobě při kopání do půdy sníží vaši námahu a ulehčí obrábění.

Vymrštěné materiály mohou vážně poranit obsluhu či kolemjdoucího. Aby se snížilo riziko poranění osob, je nutné přijmout následující opatření:

- Zkontrolujte a vyčistěte prostor od skrytých předmětů, jako jsou sklo, kameny, skály, beton, plotový drát, kusy kovu apod., které mohou být vrženy nebo zapleteny do čepelí. Vyhněte se kontaktu s tvrdými nebo cizími pevnými předměty.
- Pravidelně a častěji kontrolujte čepel, zda nedošlo k jejich poškození nebo po zasažení tvrdého předmětu. Nepokračujte v práci s poškozenou čepelí.
- Při provozování vždy držte kultivátor oběma rukama. Pevně uchopte obě rukojeti.
- Přesuňte kultivátor do pracovního prostoru před spuštěním a nastartujte kultivátor s nižší rychlostí.

Před každým použitím zkontrolujte poškozené a / nebo opotřebené díly. Zkontrolujte čepel, chrániči, přední pomocnou rukojeť a vyměňte díly, které jsou prasklé, zdeformované, ohnuté nebo jinak poškozené.

Vyčistěte kultivátor po každém použití.

ZAPNUTÍ/VYPNUTÍ NÁSTROJE

Viz část „ZAPNUTÍ/VYPNUTÍ POHONNÉ HLAVY“ v příručce PH1400E pro obsluhu pohonné hlavy.

ÚDRŽBA

VAROVÁNÍ: Při opravách používejte pouze originální náhradní díly. Použití jiných dílů může být rizikem nebo způsobit poškození výrobku. Z důvodu bezpečnosti by měl všechny opravy provádět kvalifikovaný servisní technik.

VAROVÁNÍ: Akumulátorové nářadí se nemusí zapojovat do elektrické zásuvky, proto je vždy v provozním stavu. Aby nedošlo k vážnému úrazu, věnujte zvýšenou pozornost a péči údržbě, servisu, výměně žacího nebo jiného nástavce.

VAROVÁNÍ: Aby nedošlo k vážnému osobnímu zranění, tak před údržbou, čištěním, výměnou příslušenství, nebo když se výrobek nepoužívá, vyjměte akumulátor z pohonné hlavy a počkejte, až se všechny čepele zastaví.

VAROVÁNÍ: Vždy používejte pevné rukavice při instalaci nebo odstraňování čepele nebo provádění jakékoliv údržby na čepeli. Dávejte pozor na čepel a chraňte svoje ruce před poraněním čepeli.

CELKOVÁ ÚDRŽBA

VAROVÁNÍ: Dbejte na to, aby nikdy nedošlo ke styku plastových částí s brzdovými kapalinami, benzinem, ropnými produkty, penetračními oleji atd. Chemické látky mohou poškodit, zeslabit nebo poškodit plast, což může vést k vážnému úrazu.

VAROVÁNÍ: Při čištění NEPONORUJTE nástavec pro kultivátor do vody ani jiných kapalin. Stroj nečistěte tlakovým ostříkem. Pevný proud vody může poškodit části stroje.

- Řádně utahujte všechny šrouby a matice pro zajištění bezpečného provozního stavu zařízení.
- Abyste omezili nebezpečí požáru, udržujte motor, tlumič, prostor pro baterie bez rostlinného materiálu a nadměrného maziva.
- Z důvodu bezpečnosti opotřebené nebo poškozené díly vyměňte.

ÚDRŽBA ČEPELE

- Pravidelně ošetřujte čepele s antikorozním olejem.
- Pokud některá z čepelí vyžaduje výměnu v důsledku opotřebení, vyměňte všechny čtyři čepele najednou pro zaručení nejlepšího výkonu.

Veškeré opravy kultivátoru, kromě položek uvedených v tomto návodu na údržbu, smí provádět pouze kvalifikovaný servisní technik.

Výměna

Kultivátor má čtyři čepele - dvě vnitřní čepele a dvě vnější čepele. Pro správné fungování kultivátoru musí být čepele nainstalovány ve správné orientaci. Na čepelích jsou vyraženy symboly L a R (L-levá a R-pravá, obr. H a I).

Opis dílů na obr. H a I viz níže:

H-1	Hnací hřídel	H-7	Závěsný kolík
H-2	Vnitřní pouzdro	I-1	Závěsný kolík
H-3	Vnější pouzdro	I-2	Vnější čepel s vyraženým symbolem „R“
H-4	Symbol L	I-3	Vnitřní čepel s vyraženým symbolem „R“
H-5	Vnitřní čepel s vyraženým symbolem „L“	I-4	Symbol R
H-6	Vnější čepel s vyraženým symbolem „L“		

POZNÁMKA: ČEPELE, KTERÉ MAJÍ ZUBY V OBOU SMĚRECH, MUSÍ BÝT NAMONTOVÁNY NA VNITŘNÍ STRANĚ, CO NEJBLIŽE K PŘEVODOVCE

1. Použijte rukavice.
2. Umístěte vnitřní čepel, označenou „L“, která má zuby směřující v obou směrech, nalevo od převodovky.
3. Umístěte vnější čepel, označenou „L“, (zuby směřující pouze v jednom směru) na stejnou stranu s vnějším pouzdem proti vnitřní čepeli.
4. Pro upevnění čepele na hnací hřídel zasuňte závěsný kolík do blokovacího otvoru - 1. Viz odkazy na obr. J, K, L a N.
5. Otočte nástroj s nainstalovanou čepelí opřenou o zem.
6. Umístěte vnitřní čepel, označenou „R“, která má zuby směřující v obou směrech, napravo od převodovky.
7. Umístěte vnější čepel, označenou „R“, (zuby směřující pouze v jednom směru) na stejnou stranu s vnějším pouzdem proti vnitřní čepeli.
8. Připevněte čepel na hnací hřídel, zasuňte závěsný kolík do blokovacího otvoru - 1 a otočte závěsný kolík o 90 °. Viz odkazy na obr. J, K, L a N.

VAROVÁNÍ: Stroj nebude fungovat správně nebo může způsobit nebezpečí pro obsluhu nebo kolemstojící osoby, pokud čepele nejsou správně nainstalovány. Pokud zjistíte potíže s funkcí kultivátoru, zkontrolujte správné umístění čepelí.

ČEPELE, KTERÉ MAJÍ ZUBY V OBOU SMĚRECH, MUSÍ BÝT NAMONTOVÁNY NA VNITŘNÍ STRANĚ, CO NEJBLIŽE K PŘEVODOVCE.

GZ

Nastavení

Při obrábění v uzavřené oblasti nebo mezi řádky může být kultivátor použit pouze s nainstalovanými vnitřními čepelemi.

Použijte rukavice a vyjměte dva závěsné kolíky pro odstranění obou vnějších čepelí (obr. M) a potom zasuňte závěsné kolíky do uzamykacího otvoru - 2 (obr. N a O).

Opis dílů na obr. N viz níže:

N-1	Uzamykací otvor - 1
N-2	Uzamykací otvor - 2

POZNÁMKA: Netlačte na čepele při montování na hnací hřídel nebo při demontáži. Pokud se při odstraňování čepelí setkáte s obtížemi, naneste na hřídel trochu penetračního oleje. Při opětovné instalaci čepelí nezapomeňte vyčistit a promazat hnací hřídel a čepele.

ČIŠTĚNÍ STROJE

Části rostlin, například kořeny, se během provozu mohou těsně namotat kolem nebo mezi rotující čepele. Čištění rotujících čepelí:

- Vyjměte akumulátor.
- Používejte rukavice. Odstraňte části kořenů, ucpané půdy nebo rostlin na čepelích, chrániči nebo převodovce. Pro důkladné čištění odstraňte čepele a chránič, abyste je důkladně umyli. Podrobné kroky výměny naleznete v části výše

„VÝMĚNA NEBO NASTAVENÍ ČEPELÍ“.

- Otřete povrch přístroje čistým hadrem navlhčeným ve slabém mýdlovém roztoku.

SKLADOVÁNÍ NÁŘADÍ

- Vyjměte akumulátor z nářadí.
- Demontujte nástavec pro kultivátor z pohonné hlavy a zakryjte přípojovací hřídel koncovkou, abyste zabránili vnikání nečistot do spojovače.
- Nářadí skladujte na suchém, dobře větraném místě mimo dosah dětí. Nářadí neskladujte v blízkosti hnojiv, benzínu nebo jiných chemických látek.

Ochrana životního prostředí



Elektrické zařízení, nabíječku a baterie / nabíjecí baterie nevhazujte do domovního odpadu! Podle směrnice Evropského parlamentu a Rady 2012/19/EU se musí odpadní elektrická a elektronická zařízení a podle směrnice 2006/66/ES vadné nebo použité akumulátory / baterie sbírat odděleně. Pokud se elektrická zařízení likvidují na zavážkách nebo skládkách, mohou do podzemní vody prosáknout nebezpečné látky, dostat se do potravního řetězce a poškodit tak vaši zdraví a zdravotní stav.

ODSTRAŇOVÁNÍ PROBLÉMŮ

PROBLÉM	PŘÍČINA	ŘEŠENÍ
Kultivátor se nespustí.	<ul style="list-style-type: none"> ■ Akumulátor není správně připojen k pohonné hlavě. ■ Bez elektrického kontaktu mezi pohonnou hlavou a akumulátorem. ■ Akumulátor je vybitý. ■ Jistící páčka a spoušť nejsou stisknuty současně. 	<ul style="list-style-type: none"> ■ Připojte akumulátor na pohonnou hlavou. ■ Vyměňte akumulátor, zkontrolujte póly a znovu jej nainstalujte tak, aby zaskočil na místo. ■ Nabijte akumulátor pomocí nabíječek EGO, které jsou uvedeny v tomto návodu k obsluze. ■ Zatlačte jistící páčku a podržte ji, pak stiskněte spoušť pro zapnutí stroje.
Kultivátor se zastaví při obrábění.	<ul style="list-style-type: none"> ■ Motor je přetížen. ■ Akumulátor je příliš horký. ■ Čepele uvízly. ■ Akumulátor je od stroje odpojen. ■ Akumulátor je vybitý. 	<ul style="list-style-type: none"> ■ Po odstranění zátěže se motor znovu rozběhne. Pro kontinuální práci snižte zatížení kultivátoru a vyhněte se hlubokému obrábění. Místo toho dělejte postupně hlubší brázdy. ■ Nechte akumulátor nebo pohonnou hlavu vychladnout, dokud teplota neklesne pod 67°C. ■ Vyměňte akumulátor z pohonné hlavy, ručně přetočte čepelu dopředu a dozadu a odstraňte kameny nebo jiné překážky mezi čepelemi nebo mezi čepelí a převodovkou. ■ Znovu nainstalujte akumulátor. ■ Nabijte akumulátor pomocí nabíječek EGO, které jsou uvedeny v tomto návodu k obsluze.

CZ

ZÁRUKA

ZÁRUKA SPOLEČNOSTI EGO

Úplné záruční podmínky společnosti EGO naleznete na webové stránce egopowerplus.com.

PREČÍTAJTE SI VŠETKY POKYNY!



PREČÍTAJTE SI A POCOHPTE NÁVOD NA POUŽITIE.

⚠ Potenciálne riziká! Ľudia s elektronickými zariadeniami, ako sú napríklad kardiostimulátory, sa musia pred použitím tohto výrobku poradiť so svojim lekárom. Použitie elektrických zariadení v tesnej blízkosti kardiostimulátora by mohlo spôsobiť rušenie alebo zlyhanie kardiostimulátora.

⚠ VAROVANIE: Pre zaistenie bezpečnosti a spoľahlivosti je nevyhnutné, aby všetky opravy a výmeny vykonával len kvalifikovaný servisný technik.

BEZPEČNOSTNÉ SYMBOLY

Účelom bezpečnostných symbolov je upozorniť vás na možné nebezpečenstvá. Venujte príslušnú pozornosť a pochopte bezpečnostné symboly a ich vysvetlenia. Varovné symboly, samy o sebe, nedokážu eliminovať nebezpečenstvo. Pokyny a varovania, ktoré obsahujú, nie sú náhradou za vhodné opatrenia na prevenciu úrazov.

SK

⚠ VAROVANIE: Pred použitím tohto nástroja si prečítajte a pochopte všetky bezpečnostné pokyny v tomto návode na obsluhu, vrátane všetkých bezpečnostných výstražných symbolov, ako sú „**NEBEZPEČENSTVO**“, „**VAROVANIE**“ a „**UPOZORNENIE**“. Nedodržanie nižšie uvedených pokynov môže mať za následok úraz elektrickým prúdom, požiar a / alebo vážne zranenie.

VÝZNAM SYMBOLU

⚠ Bezpečnostný výstražný symbol: Upozorňuje na **NEBEZPEČENSTVO, VAROVANIE, ALEBO UPOZORNENIE**. Môže byť použitý v spojení s inými symbolmi alebo piktogramami.



⚠ Varovanie! Prevádzka akéhokoľvek elektrického náradia môže viesť k vyvráteniu cudzích predmetov do vašich očí, čo môže spôsobiť vážne poškodenie zraku. Predtým, než začnete používať elektrické náradie, si vždy nasadte ochranné okuliare alebo ochranné okuliare s postranným krytom a prípadne celotvárový štít. Odporúčame použiť bezpečnostnú masku so širokým prierezom na okuliare alebo štandardné bezpečnostné okuliare s postrannými krytmi.

BEZPEČNOSTNÉ POKYNY

Táto strana zobrazuje a popisuje bezpečnostné symboly, ktoré sa objavujú na tomto výrobku. Pred pokusom o zostavenie a prevádzkovanie si prečítajte, pochopte a dodržiavajte všetky pokyny na stroji.

	Bezpečnostná výstraha	Upozorňuje na potenciálne nebezpečenstvo úrazu.
	Prečítajte si návod na obsluhu	Ak chcete znížiť riziko zranenia, používateľ musí pred použitím tohto výrobku prečítať a pochopiť návod na obsluhu.
	Používajte ochranu sluchu.	Pri práci s týmto výrobkom vždy používajte ochranu sluchu.
	Prečítajte Si Návod Na Obsluhu	Pri práci s týmto výrobkom vždy noste ochranné okuliare s bočnými ochrannými štítmí.
	Používajte ochranné rukavice.	Chráňte si ruky rukavicami pri manipulácii s čepelami. Pevné a protišmykové rukavice zlepšujú uchopenie a chránia ruky.
	Používajte ochrannú obuv.	Pri používaní tohto zariadenia noste protišmykovú bezpečnostnú obuv.
	Odzrazíť	Vyhodené objekty sa môžu odraziť a mať za následok zranenie osôb alebo poškodenie majetku.
	Dodržiujte bezpečnú vzdialenosť nôh	Aby sa znížilo riziko porezania, udržiavajte nohy v bezpečnej vzdialenosti od rotujúcich čepelí.
	Udržiavajte okolostojace osoby v bezpečnej vzdialenosti	Udržiavajte okolostojace osoby v bezpečnej vzdialenosti

	CE	Tento výrobok je v súlade s platnými smernicami ES.
	WEEE	Odpadové elektrické výrobky sa nesmú likvidovať spolu s domovým odpadom. Odovzdajte do autorizovaného recyklačného strediska.
	Hlučnosť	Garantovaná hladina akustického výkonu.
	Nevystavujte ji dešti.	Nepoužívajte v daždi, alebo nenechajte vonku, keď prší.
IPX4	Symbol stupňa ochrany	Ochrana proti vniknutiu vody 4. stupňa
V	Voltů	Napätie
mm	Milimetr	Dĺžka alebo veľkosť
kg	Kilogram	Hmotnosť

VŠEOBECNÉ BEZPEČNOSTNÉ POKYNY PRE ELEKTRICKÉ NÁRADIE

VAROVANIE Prečítajte si všetky bezpečnostné výstrahy, pokyny, ilustrácie a technické údaje dodané s týmto elektrickým nástrojom. Nedodržanie nižšie uvedených pokynov môže mať za následok úraz elektrickým prúdom, požiar a/alebo vážne zranenie.

Odložte si všetky varovania a pokyny pre budúce použitie.

BEZPEČNOSŤ PRACOVISKA

- Udržiavajte pracovisko čisté a dobre osvetlené. Neporiadok a tmavé priestory vedú k úrazom.
- Nepoužívajte elektrické náradie vo výbušnom prostredí, napríklad v prítomnosti horľavých kvapalín, plynov alebo prachu. Elektrické náradie vytvára iskry, ktoré môžu zapáliť prach alebo výpary.
- Pri používaní elektrického náradia udržiavajte deti a okolostojace osoby mimo pracoviska. Pri rozptyľovaní môžete stratiť kontrolu.

ELEKTRICKÁ BEZPEČNOSŤ

- Nevystavujte elektrické náradie dažďu alebo vlhkým podmienkam.** Voda vniknutá do elektrického náradia zvyšuje nebezpečenstvo úrazu elektrickým prúdom.

BEZPEČNOSŤ OSÔB

- Buďte pozorní, sledujte to, čo robíte a používajte zdravý rozum pri práci s elektrickým náradím. Nepoužívajte elektrické náradie, ak ste unavení alebo pod vplyvom drog, alkoholu alebo liekov.** Chvíľková nepozornosť pri práci s elektrickým náradím môže mať za následok vážne zranenie.
- Vždy používajte osobné ochranné prostriedky.** Osobné ochranné prostriedky ako ochrana očí, respirátor, protišmyková bezpečnostná obuv, prilba alebo chrániče sluchu použité za vhodných podmienok znižujú nebezpečenstvo zranenia.
- Zabráňte náhodnému spusteniu.** Pred pripojením akumulátora, pri zdvíhaní alebo prenášaní nástroja sa uistite, že hlavný vypínač je vo vypnutej polohe. Prenášanie náradia s prstom na spínači, alebo prenášanie zapnutého elektrického náradia zvyšuje riziko úrazu.
- Pred zapnutím elektrického náradia odstráňte akékoľvek nastavovacie nástroje alebo kľúče.** Náradie alebo kľúč, ktorý necháte pripustený k otáčajúcej sa časti elektrického náradia, môže spôsobiť osobné zranenie.
- Nepreceňujte sa. Pri práci vždy dodržujte správny postoj a rovnováhu.** Umožňuje to lepšiu kontrolu elektrického náradia v neočakávaných situáciách.
- Vhodne sa oblečte. Nenoste šperky alebo voľný odev. Udržujte vlasy a oblečenie mimo dosahu pohybujúcich sa častí.** Voľný odev, šperky alebo dlhé vlasy môžu byť zachytené pohybujúcimi sa dielmi.
- Pokiaľ je náradie vybavené zariadením na zachytávanie prachu a úlomkov materiálu, skontrolujte, či je k náradiu správne pripojené.** Použitie odsávania prachu môže znížiť nebezpečenstvo, ktoré súvisí s prachom.
- Nedovoľte, aby ste sa stali neobozretnými po získaní skúseností častým používaním nástrojov a ignorovali zásady bezpečnosti.** Nedbalá činnosť môže spôsobiť vážne zranenie v zlomku sekundy.

POUŽÍVANIE A STAROSTLIVOSŤ O ELEKTRICKÉ NÁRADIE

- Netlačte na elektrické náradie. Používajte správne náradie na vašu prácu.** Správne elektrické náradie bude pracovať lepšie a bezpečnejšie pri rýchlosti, na ktorú bolo určené.

SK

- **Nepoužívajte elektrické náradie v prípade, že vypínač nie je možné zapnúť a vypnúť.** Akékoľvek elektrické náradie, ktoré sa nedá ovládať vypínačom je nebezpečné a musí sa opraviť.
- **Pred odstránením zaseknutého materiálu, vykonaním akýchkoľvek úprav, výmenou príslušenstva, čistením alebo skladovaním elektrického náradia odpojte akumulátor z elektrického náradia a/alebo aktivujte akékoľvek zariadenie na odpojenie batérie.** Tieto preventívne bezpečnostné opatrenia znižujú riziko náhodného spustenia náradia.
- **Uchovávajte nepoužívané elektronáradie mimo dosahu detí a nedovoľte, aby osoby neoboznámene s elektrickým náradím alebo s týmito pokynmi náradie používali.** Elektrické náradie je nebezpečné v rukách neskúsených používateľov.
- **Udržujte elektrické náradie a príslušenstvo.** Skontrolujte nastavenie pohyblivých častí, poškodenie dielov a akékoľvek ďalšie okolnosti, ktoré môžu mať vplyv na funkciu elektrického náradia. Ak je elektrické náradie poškodené, nechajte ho pred použitím opraviť. Nedostatočná údržba elektrického náradia a príslušenstva má za následok veľa nehôd.
- **Rezacie nástroje udržiavajte ostré a čisté.** Starostlivo ošetrované rezné nástroje s ostrými čepeľami menej pravdepodobne uviaznu a jednoducho sa ovládajú.
- **Používajte elektrické náradie, príslušenstvo, násady a pod. podľa týchto pokynov s prihliadnutím na pracovné podmienky a prácu, ktorá má byť vykonaná.** Použitie elektrického náradia na iné ako určené účely môže viesť k nebezpečným situáciám.
- **Udržujte rukoväť a uchopovacie plochy suché, čisté, bez oleja a maziva.** Klzké rukoväte a uchopovacie plochy môžu viesť k nebezpečnej manipulácii a/alebo strate kontroly nad náradím.
- **Udržujte káble mimo pracovného priestoru nástroja.** Počas práce môžu byť káble skryté z dohľadu a môžu byť náhodne poškodené nástrojom.

POUŽÍVANIE A STAROSTLIVOSŤ O NÁRADIE NA BATÉRIE

- **Nabíjajte iba nabíjačkou určenou výrobcom.** Nabíjačka vhodná pre jeden typ akumulátora môže spôsobiť riziko požiaru pri použití s iným akumulátorom.
- **Používajte elektrické náradie iba s výslovnou určenými akumulátormi.** Použitie iných akumulátorov môže spôsobiť riziko úrazu a požiaru.
- **Pokiaľ akumulátor nepoužívate, držte ho mimo dosahu kovových predmetov, ako sú kancelárske sponky na papier, mince, kľúče, klince, skrutky**

alebo ďalšie drobné kovové predmety, ktoré môžu spôsobiť vzájomné skratovanie vývodov. Skratovanie kontaktov akumulátora môže spôsobiť popáleniny alebo požiar.

- **V nevhodných podmienkach môže kvapalina unikať z batérie. Zabráňte kontaktu.** Pri náhodnom kontakte opláchnite vodou. Pri zasiahnutí očí vyhladajte lekársku pomoc. Unikajúca kvapalina z akumulátora môže spôsobiť podráždenie pokožky alebo popáleniny.
- **Nepoužívajte akumulátor alebo nástroj, ktorý je poškodený alebo upravený.** Poškodené alebo upravené batérie môžu mať nepredvídateľné chovanie, ktoré môže viesť k požiaru, výbuchu alebo nebezpečenstvu poranenia.
- **Nevystavujte akumulátor ani nástroj ohňu alebo nadmernej teplote.** Pri vystavení ohňu alebo teplote nad 130 ° C môže dôjsť k výbuchu.
- **Dodržujte všetky pokyny pre nabíjanie a nenabíjajte akumulátor alebo nástroj mimo rozsahu teplôt uvedených v pokynoch.** Nesprávne nabíjanie alebo nabíjanie pri teplotách mimo stanoveného rozsahu môže poškodiť akumulátor a zvýšiť riziko požiaru.

ĎALŠIE BEZPEČNOSTNÉ VAROVANIA

ŠKOLENIE

- **Prečítajte si pozorne tieto pokyny.** Zoznámte sa s ovládacími prvkami a správnym používaním stroja.
- **Nikdy nedovoľte ľuďom, ktorí nie sú oboznámení s týmito pokynmi, alebo deťom používať stroj.** Miestne predpisy môžu obmedzovať vek obsluhy.
- **Nikdy nepracujte, ak sú v blízkosti osoby, najmä deti, alebo domáce zvieratá.**
- **Majte na pamäti, že obsluha alebo používateľ nesie plnú zodpovednosť za nehody a nepredvídané udalosti voči iným osobám a ich majetku.**

PRÍPRAVA

- **Počas práce vždy noste pevnú obuv a dlhé nohavice.** Nepoužívajte zariadenie, ak ste bosí alebo máte obuté otvorené sandále.
- **Dôkladne skontrolujte oblasť, na ktorej má byť zariadenie použité a odstráňte všetky predmety, ktoré môžu byť vymrštené strojom.**
- **Pred použitím vždy vizuálne skontrolujte, či nástroje nie sú opotrebované alebo poškodené.** Opotrebované alebo poškodené prvky a skrutky vymieňajte v súpravách z dôvodu zachovania vyváženia.

OBSLUHA

- **Neprevádzkujte motor v uzatvorenom priestore, kde môžu vzniknúť nebezpečné výpary oxidu uhľnatého.**

SK

- Pracujte len za denného svetla alebo pri dobrom umelom osvetlení.
- Pri pohybe na svahu vždy dbajte na pevný postoj.
- Kráčajte, nikdy so strojom nebehajte.
- S kolesovými rotačnými strojmi pracujte na svahu pozdĺžne, nikdy smerom hore a dole.
- Zvýšte opatnosť pri zmene smeru na svahu.
- Nepracujte na príliš strmých svahoch.
- Buďte mimoriadne opatrní pri cúvaní alebo ťahaní stroja smerom k sebe.
- Nemeňte nastavenie regulátora motora, alebo neprekráčajte otáčky motora.
- Štartujte motor opatrne podľa pokynov výrobcu a s nohami ďaleko od nástroja.
- Nedávajte ruky alebo nohy do blízkosti rotujúcich častí alebo pod nich.
- Nikdy stroj nedvíhajte ani neprenášajte za chodu motora.
- Používajte iba s akumulátormi a nabíjačkami, ktoré sú uvedené na obr. A.

PREVÁDZKA NA SVAHU:

Svahy sú hlavným faktorom v súvislosti s pošmyknutím a pádom, ktoré môžu viesť k ťažkým zraneniam. Pri pohybe na svahu dbajte na pevný postoj. Použitie kosačky na svahoch vyžaduje zvýšenú pozornosť. Ak sa na svahu necítite dobre, stroj nepoužívajte.

- Dávajte pozor na diery, vyjazdené koľaje, skaly, skryté predmety alebo hrbole, ktoré môžu spôsobiť pošmyknutie alebo zakopnutie. Vysoká tráva môže skrývať prekážky.

OPRAVA

- Nechajte vaše elektrické náradie opraviť kvalifikovanou osobou s použitím iba identických náhradných dielov. Tým sa zabezpečí, že bezpečnosť stroja zostane zachovaná.
- Nikdy neopravujte poškodené akumulátory. Servis akumulátorov smie robiť iba výrobca alebo autorizovaní poskytovatelia služieb.

VAROVANIE: Prečítajte si všetky bezpečnostné výstrahy, pokyny, ilustrácie a technické údaje dodané s týmto elektrickým nástrojom. Nedodržanie nižšie uvedených pokynov môže mať za následok úraz elektrickým prúdom, požiar a/alebo vážne zranenie. Uschovajte všetky varovania a pokyny pre budúce použitie.

TYTO POKYNY USCHOVEJTE PRO BUDOUCÍ POUŽITÍ

ODLOŽTE SI TIETO POKYNY

Šírka obrábania	240 mm	
Hĺbka obrábania	215 mm	
Veľkosť čepele	215 mm	
Prevádzková teplota	0°C-40°C	
Skladovacia teplota	-20°C-70°C	
Hmotnosť (vrátane chrániča)	3,9 kg	
Meraná hladina akustického výkonu L_{WA}	87,6 dB(A) K=2,02 dB(A)	
Hladina akustického tlaku na sluch obsluhy L_{PA}	77,0 dB(A) K=3 dB(A)	
Zaručená úroveň akustického výkonu L_{WA} (meraná podľa 2000/14/ES)	90 dB(A)	
Ohodnotenie vibrácií a_{Hv} :	Predná pomocná rukovať	0,94 m/s ² K= 1,5 m/s ²
	Zadná rukovať	1,24 m/s ² K= 1,5 m/s ²

SK

- Vyššie uvedené parametre sú testované a merané s nástrojom vybaveným pohonnou hlavou PH1400E.
- Uvádzaná celková hodnota vibrácií bola meraná v súlade so štandardnou skúšobnou metódou a môže byť použitá na porovnanie jedného zariadenia s iným.
- Deklarovaná celková hodnota vibrácií sa tiež môže použiť na predbežné vyhodnotenie expozície.

POZNÁMKA: Emisia vibrácií pri skutočnom používaní náradia sa môže odlišovať od deklarovanej hodnoty, pri akej sa nástroj používa; Za účelom ochrany obsluhy má používateľ v skutočných podmienkach použitia nosiť rukavice a ochranu sluchu.

OBSAH BALENIA

NÁZOV DIELU	MNOŽSTVO
Nástavec pre kultivátor	1
Chránič (so skrutkou)	1
Imbusový kľúč	1
Návod na obsluhu	1

POPIS

ZOZNÁMTE SA S VAŠIM KULTIVÁTOROM (OBR. A)

1. KONCOVKA
2. Nastavcový hriadeľ kultivátora
3. Prevodovka
4. Objímka
5. Vonkajšie čepele
6. Vnútornej čepele
7. Závesný kolík
8. Chránič
9. Imbusový kľúč

ZOSTAVA

VAROVANIE: Ak akýkoľvek diel chýba, alebo je poškodený, nepoužívajte tento výrobok, kým nie sú vymenené diely. Ak používate tento výrobok s poškodenými alebo chýbajúcimi časťami, môže dôjsť k vážnemu zraneniu.

VAROVANIE: Nepokúšajte sa upravovať tento výrobok alebo vytvoriť príslušenstvo, ktoré nie je odporúčané na použitie s týmto výrobkom. Každá takáto zmena alebo modifikácia sa považuje za zneužitie a môže spôsobiť nebezpečný stav, ktorý vedie k možnému vážnemu zraneniu.

VAROVANIE: Vždy používajte pevné rukavice pri inštalácii alebo odstraňovaní čepele alebo vykonávaní akejkoľvek údržby na čepele. Dávajte pozor na čepeľ a chráňte svoje ruky pred poranením ostrím.

VAROVANIE: Nepripájajte kultivátor na pohonnú hlavu pred dokončením zmontovania. Nedodržanie tohto pokynu môže viesť k náhodnému štartu a možnému vážnemu poraneniu.

Montáž chrániča

VAROVANIE: Nasadte chránič pred pripojením nástavca pre kultivátor na pohonnú hlavu.

1. Povoľte a odstráňte skrutku z chrániča pomocou imbusového kľúča (obr. B).
2. Zdvihnite hriadeľ nástavca pre kultivátor a odstráňte koncovku z hriadeľa.

3. Vyrovnajte štrbinu v chrániči s kovovým výstupkom na konci hriadeľa, nasuňte chránič na hriadeľ, kým nie sú otvory pre skrutky v chrániči a kovový výstupok zarovnané (obr. C a D).

4. Na dotiahnutie skrutky v smere hodinových ručičiek použite imbusový kľúč, aby ste bezpečne zaistili chránič.

Opis dielov na obr. D si pozrite nižšie:

D-1	Skrutka
-----	---------

PRIPOJENIE NÁSTAVCA PRE KULTIVÁTOR NA POHONNÚ HLAVU

VAROVANIE: Nikdy nepripájajte alebo neupravujte nástavec, keď pohonná hlava beží, alebo je nainštalovaná batéria. Neschopnosť zastaviť motor a vybrať batériu môže spôsobiť vážne zranenie.

Tento nástavec pre kultivátor je určený na použitie s pohonnou hlavou EGO PH1400E.

1. Zastavte motor a odstráňte akumulátor.
2. Uvoľnite krídlový gombík na spojke pohonnej hlavy.
3. Ak je koncovka umiestnená na hriadeľ nástavca, zložte ju a uložte na bezpečnom mieste pre neskoršie použitie. Zarovnajtie šípku na hriadeľ kultivátora so šípkou na spojke (obr. E) a zatlačte hriadeľ kultivátora do spojky, kým nebudete počuť jasné „CVAKNUTIE“ (obr. F).

Opis dielov na obr. E si pozrite nižšie:

E-1	Tlačidlo na uvoľnenie hriadeľa
E-2	Šípka na spojke
E-3	Krídlový gombík
E-4	Šípka na hriadeľ nástavca
E-5	Červená značka

Opis dielov na obr. F si pozrite nižšie:

F-1	Červená značka
-----	----------------

4. Miernie povytiahnite hriadeľ nástavca na overenie jeho bezpečného zaistenia v spojke. Ak tomu tak nie je, otočte hriadeľ kultivátora dopredu a dozadu v spojke, kým nebudete počuť jasné „CVAKNUTIE“, že je zapojený.

5. Dobře utiahnete krídlový gombík.

VAROVANIE: Pred uvedením zariadenia do prevádzky sa uistite, že kridlový gombík na spojke je pevne dotiahnutý; počas používania pravidelne kontrolujte jeho dotiahnutie, aby nedošlo k vážnemu zraneniu.

ODPOJENIE NÁSTAVCA Z POHONNEJ HLAVY

1. Zastavte motor a vyberte akumulátor.
2. Uvoľnite kridlový gombík.
3. So stlačeným tlačidlom na uvoľnenie hriadeľa vytiahnite hriadeľ nástavca pre kultivátor zo spojky a vytiahnite ho z pohonnej hlavy.

OBSLUHA

VAROVANIE: Nedovoľte, aby ste sa po zoznámení s týmto výrobkom stali neopatrnými. Zapamätajte si, že zlomok sekundy neopatrnosti postačuje na spôsobenie vážneho poranenia.

VAROVANIE: Vždy používajte ochranu zraku spolu s chráničmi sluchu. Ak tak neurobíte, môže dôjsť k vymršteniu predmetov do očí a iným možným vážnym zraneniam.

VAROVANIE: Nepoužívajte žiadne prídavné zariadenia alebo príslušenstvo, ktoré nie sú odporúčané výrobcom tohto výrobku. Používanie prídavných zariadení alebo príslušenstva, ktoré nie sú odporúčané, môže viesť k vážnemu zraneniu.

APLIKÁCIE

Tento výrobok môžete použiť na nižšie uvedené účely:

- Rozbíjanie záhradnej pôdy na prípravu semenných lôžok pre opätovnú výsadbu.
- Plytká kultivácia pre vykorenenie buriny alebo uvoľnenie pôdy okolo rastlín, čo uľahčuje prenikanie vzduchu alebo vody hlboko do pôdy.
- Povrchové ošetrovanie pôdy kompostom, listami alebo inými organickými hnojivami. Plytká kultivácia uvoľní vrchnú kôru pôdy a integruje pridané živiny.
- Žliabkovanie alebo brázdenie v uvoľnenej pôde.

POZNÁMKA: Pre zabránenie poškodenia kultivátora alebo stromov, dbajte na to, aby ste nezachytili čepelami veľké korene stromov. Nepoužívajte kultivátor do príliš veľkej hĺbky, pretože by to mohlo poškodiť plytké korene niektorých rastlín.

POUŽITIE NÁSTAVCA PRE KULTIVÁTOR S POHONNOU HLAVOU

VAROVANIE: Oblečte sa vhodne pri práci s týmto náradím, aby sa znížilo riziko poranenia. Nenoste šperky alebo voľný odev. Používajte ochranu zraku. Noste ochrannú obuv. Oblečte si odolné, dlhé nohavice, vysoké topánky a rukavice. Nenoste krátke nohavice, sandále alebo nebuďte naboso. Uchopte kultivátor jednou rukou za zadnú rukoväť a druhou rukou za prednú rukoväť. Udržujte pevný úchop obomi rukami pri používaní kultivátora. Kultivátor sa má držať v pohodlnej polohe so zadnou rukoväťou vo výške bedrového kĺbu.

Udržujte váš úchop a rovnováhu na oboch nohách (obr. G).

Môžete pracovať s kultivátorom smerom dopredu alebo dozadu, zľava doprava, sprava doľava alebo s kruhovým pohybom. Vyberte najlepší spôsob, ktorý bude vyhovovať vášmu účelu a ktorý bude závisieť na tvare a veľkosti plochy a pôdných podmienkach.

Práca striedavým pohybom dozadu a dopredu je zvlášť vhodná na rozbíjanie hrudovitej pôdy.

Pri žliabkovaní alebo brázdnení postupujte pomaly dozadu a ťahajte kultivátor, aby ste vytvorili brázdnu. Opakujte podľa potreby, aby ste získali hlbšie brázdny.

POZNÁMKA: Pozorne prítahovanie kultivátora smerom k sebe pri kopaní do pôdy zníži vašu námahu a uľahčí obrábanie.

Vymrštené materiály môžu vážne poraniť obsluhu či okoloidúceho. Aby sa znížilo riziko poranenia osôb, je nutné prijať nasledujúce opatrenia:

- Skontrolujte a vyčistite priestor od skrytých predmetov, ako sú sklo, kamene, skaly, betón, plotový drôt, kusy kovu apod., ktoré môžu byť vyhodené alebo zapletené do čepelí. Vyhybajte sa kontaktu s tvrdými alebo cudzími pevnými predmetmi.
- Pravidelne a často kontrolujte čepele, či nedošlo k ich poškodeniu alebo po zasiahnutí tvrdého predmetu. Nepokračujte v práci s poškodenou čepeľou.
- Pri používaní vždy držte kultivátor obomi rukami. Pevne uchopte obe rukoväte.
- Presuňte kultivátor do pracovného priestoru pred spustením a naštartujte kultivátor na nižšej rýchlosti.

Pred každým použitím skontrolujte poškodené a/alebo opotrebované diely. Skontrolujte čepele, chránič a prednú pomocnú rukoväť a vymeňte diely, ktoré sú prasknuté, zdeformované, ohnuté, alebo inak poškodené.

Vyčistite kultivátor po každom použití.

ZAPNUTIE/VYPNUTIE NÁSTROJA

Pozrite si časť **ZAPNUTIE/VYPNUTIE POHONNEJ**

HLAVY v návode na obsluhu pohonnej hlavy PH1400E.

ÚDRŽBA

VAROVANIE: Pri servise používajte iba identické náhradné diely. Použitie iných častí môže vyvolať nebezpečenstvo, alebo spôsobiť poškodenie výrobku. Pre zaistenie bezpečnosti a spoľahlivosti je nevyhnutné, aby všetky opravy vykonával len kvalifikovaný servisný technik.

VAROVANIE: Nástroje na batérie nemusia byť zapojené do elektrickej zásuvky; preto sú vždy v prevádzkovom stave. Aby nedošlo k vážnemu zraneniu, prijmite osobitné opatrenia a pozornosť pri vykonávaní údržby, opravy alebo výmene rezacieho alebo iného príslušenstva.

VAROVANIE: Aby nedošlo k vážnemu osobnému zraneniu, tak pred údržbou, čistením, výmenou príslušenstva, alebo keď sa výrobok nepoužíva, vyberte akumulátor z pohonnej hlavy a počkajte, až sa všetky čepele zastavia.

VAROVANIE: Vždy používajte pevné rukavice pri inštalácii alebo odstraňovaní čepele alebo vykonávaní akejkoľvek údržby na čepeli. Dávajte pozor na čepel a chráňte svoje ruky pred poranením ostrím.

CELKOVÁ ÚDRŽBA

VAROVANIE: Nikdy nedovoľte, aby brzdové kvapaliny, benzín, ropné výrobky, penetračné oleje atď., prišli do styku s plastovými časťami. Chemické látky môžu poškodiť, oslabiť alebo zničiť plast, čo môže viesť k vážnemu zraneniu.

VAROVANIE: Pri čistení NEPONÁRAJTE nástavec pre kultivátor vody ani iných kvapalín. Stroj nečistíte tlakovým ostriekaním. Pevný prúd vody môže poškodiť časti stroja.

- Udržujte všetky matice a skrutky dotiahnuté, aby bol prístroj v bezpečnom prevádzkovom stave.
- Aby ste zamedzili nebezpečenstvu vzniku požiaru, udržiavajte motor, tlmič, priestor pre batérie bez rastlinného materiálu a nadmerného maziva.
- V rámci zaistenia bezpečnosti vymeňte opotrebované alebo poškodené diely.

ÚDRŽBA ČEPELE

- Pravidelne ošetrte čepele s antikoróznym olejom.
- Ak niektorá z čepeľí vyžaduje výmenu v dôsledku opotrebovania, vymeňte všetky štyri čepele naraz pre zaručenie najlepšieho výkonu.

Všetky opravy, okrem položiek uvedených v tomto návode na údržbu, musí vykonávať kvalifikovaný servisný technik.

Výmena

Kultivátor má štyri čepele - dve vnútorné čepele a dve vonkajšie čepele. Pre správne fungovanie kultivátora musia byť čepele nainštalované v správnej orientácii. Na čepeliach sú vyrazené symboly L a R (L-ľavá a R-pravá, obr. H a I).

Opis dielov na obr. H a I si pozrite nižšie:

H-1	Hnací hriadeľ	H-7	Závesný kolík
H-2	Vnútorné puzdro	I-1	Závesný kolík
H-3	Vonkajšie puzdro	I-2	Vonkajšia čepeľ s vyrazeným symbolom „R“
H-4	Symbol L	I-3	Vnútorná čepeľ s vyrazeným symbolom „R“
H-5	Vnútorná čepeľ s vyrazeným symbolom „L“	I-4	Symbol R
H-6	Vonkajšia čepeľ s vyrazeným symbolom „L“		

POZNÁMKA: ČEPELE, KTORÉ MAJÚ ZUBY V OBOCH SMEROCH, MUSIA BYŤ NAMONTOVANÉ NA VNÚTORNEJ STRANE, ČO NAJBLIŽŠIE K PREVODOVKE

1. Používajte rukavice.
2. Umiestnite vnútornú čepeľ, označenú „L“, ktorá má zuby smerujúce v oboch smeroch, naľavo od prevodovky.
3. Umiestnite vonkajšiu čepeľ, označenú „R“, (zuby smerujúce iba v jednom smere) na rovnakú stranu s vonkajším puzdrom oproti vnútornej čepeľi.
4. Na upevnenie čepele na hnací hriadeľ zasuňte závesný kolík do blokovacieho otvoru - 1. Pozrite si odkazy na obr. J, K, L a N.
5. Otočte nástroj s nainštalovanou čepeľou opretou o zem.
6. Umiestnite vnútornú čepeľ, označenú „R“, ktorá má zuby smerujúce v oboch smeroch, napravo od prevodovky.

7. Umiestnite vonkajšiu čepeľ, označenú „R“, (zuby smerujúce iba v jednom smere) na rovnakú stranu s vonkajším puzdrom oproti vnútornej čepeľi.
8. Pripevnite čepeľ na hnačí hriadeľ, zasuňte závesný kolík do blokovačieho otvoru - 1 a otočte závesný kolík o 90 °. Pozrite si odkazy na obr. J, K, L a N.

VAROVANIE: Stroj nebude fungovať správne alebo môže spôsobiť nebezpečenstvo pro obsluhu alebo okolostojace osoby, ak čepele nie sú správne nainštalované. Ak zistíte problémy s funkciou kultivátora, skontrolujte správne umiestnenie čepeľi.

ČEPELE, KTORÉ MAJÚ ZUBY V OBOCH SMEROCH, MUSIA BYŤ NAMONTOVANÉ NA VNÚTORNEJ STRANE, ČO NAJBLIŽŠIE K PREVODOVKE.

Nastavenie

Pri obrábaní v uzatvorenej oblasti alebo medzi riadkami môže byť kultivátor použitý iba s nainštalovanými vnútornými čepeľami.

Použite rukavice a vyberte dva závesné kolíky pre odstránenie oboch vonkajších čepeľí (obr. M) a potom zasuňte závesné kolíky do uzamykacieho otvoru - 2 (obr. N a O).

Opis dielov na obr. N si pozrite nižšie:

N-1	Uzamykací otvor - 1
N-2	Uzamykací otvor - 2

POZNÁMKA: Netlačte na čepele pri montovaní na hnačí hriadeľ alebo pri demontáži. Ak sa pri odstraňovaní čepeľí stretnete s ťažkosťami, naneste na hriadeľ trochu penetračného oleja. Pri opätovnej inštalácii čepeľí nezabudnite vyčistiť a premasovať hnačí hriadeľ a čepele.

ČISTENIE STROJA

Časti rastlín, napríklad korene, sa počas prevádzky môžu tesne namotať okolo alebo medzi rotujúce čepele. Čistenie rotujúcich čepeľí:

- Vyberte akumulátor.
- Používajte rukavice. Odstráňte časti koreňov, upchanej pôdy alebo rastlín na čepeľiach, chrániči alebo prevodovke. Pre dôkladné čistenie odstráňte čepele a chránič, aby ste ich mohli dôkladne umyť. Podrobné kroky výmeny nájdete vo vyššie uvedenej časti

„VÝMENA ALEBO NASTAVENIE ČEPEĽÍ“.

- Utrite povrch prístroja čistou handrou navlhčenou v slabom mydlovom roztoku.

USKLADNENIE PRÍSTROJA

- Vyberte akumulátor z náradia.
- Demontujte nástavec pre kultivátor z pohonnej hlavy a zakryte pripojovací hriadeľ koncovkou, aby ste zabránili vnikaniu nečistôt do spojky.
- Náradie skladujte na suchom, dobre vetranom mieste mimo dosahu detí. Náradie neskladujte v blízkosti hnojív, benzínu alebo iných chemikálií.

Ochrana životného prostredia



Nevyhadzujte elektrické zariadenia, nabíjačku batérií a batérie/akumulátory do domového odpadu! Podľa európskej smernice 2012/19/EÚ elektrické a elektronické zariadenia, ktoré už nie sú použiteľné a podľa európskej smernice 2006/66/EK chybné alebo použité akumulátory/batérie sa musia zhromažďovať oddelene. Ak sú elektrické spotrebiče likvidované na neorganizovaných skládkach alebo smetiskách, môžu nebezpečné látky unikáť do podzemných vôd, dostať sa do potravinového reťazca a poškodzovať zriavie.

SK

ODSTRÁŇOVANIE PROBLÉMOV

PROBLÉM	PRÍČINA	RIEŠENIE
Kultivátor sa nespustí.	<ul style="list-style-type: none"> ■ Akumulátor nie je správne pripojený na pohonnú hlavu. ■ Bez elektrického kontaktu medzi pohonnou hlavou a akumulátorom. ■ Akumulátor je vybitý. ■ Poistná páčka a spínač nie sú súčasne stlačené. 	<ul style="list-style-type: none"> ■ Pripojte akumulátor na pohonnú hlavu. ■ Vyberte akumulátor, skontrolujte póly a znovu ho nainštalujte tak, aby zaskočil na miesto. ■ Nabite akumulátor pomocou nabijačiek EGO, ktoré sú uvedené v tomto návode na obsluhu. ■ Zatláčajte poistnú páčku a podržte ju, potom stlačte spúšťač pre zapnutie nástroja.
Kultivátor sa zastaví pri obrábaní.	<ul style="list-style-type: none"> ■ Motor je preťažený. ■ Akumulátor je príliš horúci. ■ Čepele uviazli. ■ Akumulátor je od stroja odpojený. ■ Akumulátor je vybitý. 	<ul style="list-style-type: none"> ■ Po odstránení záťaže sa motor znovu rozbehne. Pre nepretržitú prácu znížte zaťaženie kultivátora a vyhýbajte sa hlbokému obrábaniu. Miesto toho robte postupne hlbšie brázdy. ■ Nechajte akumulátor alebo pohonnú hlavu vychladnúť, kým teplota neklesne pod 67 ° C. ■ Vyberte akumulátor z pohonnej hlavy, ručne pretočte čepele dopredu a dozadu a odstráňte kamene alebo iné prekážky medzi čepeľami alebo medzi čepeľami a prevodovkou. ■ Znovu nainštalujte akumulátor. ■ Nabite akumulátor pomocou nabijačiek EGO, ktoré sú uvedené v tomto návode na obsluhu.

SK

ZÁRUKA

ZÁRUČNÁ POLITIKA EGO

Navštívte webové stránky egopowerplus.com pre úplné podmienky záručnej politiky spoločnosti EGO.

OLVASSA EL AZ ÖSSZES UTASÍTÁST!



OLVASSA EL A HASZNÁLATI UTASÍTÁST

⚠ Maradék kockázat! Az elektronikus készülékekkel, például pacemakerrel, élő emberek a termék használata előtt kérjék ki orvos véleményét. Az elektromos felszerelés a szív pacemakerhez közel való működtetése interferenciát vagy meghibásodást okozhat a pacemakerben.

⚠ FIGYELMEZTETÉS: A biztonságosság és megbízhatóság biztosítása érdekében minden javítást szakképzett szerviztechnikus hajtsen végre.

BIZTONSÁGI SZIMBÓLUMOK

A biztonsági szimbólumok célja, hogy felhívják a figyelmet az esetleges veszélyekre. Nagyon figyeljen a biztonsági szimbólumokra és magyarázatokra, ill. ezek megértésére. A szimbólumok figyelmeztetéseit önmagukban nem hárítják el a veszélyeket. Az utasítások és figyelmeztetések nem helyettesítik a megfelelő balesetmegelőző intézkedéseket.

⚠ FIGYELMEZTETÉS: A szerszám használata előtt feltétlenül olvassa el a jelen használati útmutató minden biztonsági utasítását, a „VESZÉLY”, „FIGYELMEZTETÉS” és „FIGYELEM” biztonsági szimbólumokat is. Az alább felsorolt utasítások be nem tartása áramütést, tűzveszélyt és/vagy súlyos személyi sérülést idézhet elő.

SZIMBÓLUM JELENTÉSE

⚠ Biztonsági szimbólum: Jelölhet VESZÉLYT, FIGYELMEZTETÉST, VAGY VIGYÁZATRA INTÉST. Más szimbólumokkal vagy rajzokkal együtt használható.



⚠ Figyelmeztetés! Bármely elektromos kéziszerszám működtetése azzal járhat, hogy idegen tárgyak szembe kerülnek, amely súlyos szemsérüléseket okozhat. Az elektromos kéziszerszám működtetése előtt mindig vegyen fel oldalsó védőlemezrel ellátott védőszemüveget és a teljes védőárlapot, ha szükséges. Javasoljuk, hogy viseljen Wide Vision Safety Mask-ot (védőárlap) a védőszemüveg fölött vagy standard védőszemüveget oldalsó védőlemezrel.

BIZTONSÁGI UTASÍTÁSOK

Ezen az oldalon olyan biztonsági szimbólumok láthatók és olvashatók, amelyek megjelenhetnek a terméken. Az összeszerelés vagy működtetés előtt olvassa el, értse meg és tartsa be a gép minden utasítását.

	Biztonsági figyelmeztetés	Potenciális személyi sérülés veszélyét jelzi.
	Olvassa el és értelmezze a használati útmutatót	A sérülések kockázatának csökkentése érdekében a használónak a termék használata előtt el kell olvasnia, és meg kell értenie a használati útmutatót.
	Viseljen fülvédőt	Mindig viseljen hallásvédőt a termék működtetése közben
	Viseljen szemvédőt	Mindig viseljen védőszemüveget vagy oldalsó védőlemezrel ellátott védőszemüveget a termék működtetése közben.
	Viseljen védőkesztyűt	Védje a kezét kesztyűvel, amikor a pengéket kezeli. A nagy teherbírású, csúszásmentes kesztyű segít a fogásban, és védi a kezét.
	Viseljen védő lábbelit	Viseljen csúszásgátló cipőt, amikor a készüléket használja.
	Visszapattanás	A visszapattanó tárgyak súlyos személyi sérülést vagy anyagi kárt okozhatnak.
	Tartsa távol a lábát	A vágási sérülések veszélyének csökkentése érdekében tartsa távol a lábát a forgó pengéktől.
	Tartsa távol a nézelődőket	A nézelődők tartásának biztonságos távolságot

HU

	CE	A termék megfelel az érvényes EK irányelveknek.
	WEEE	Az elhasználdott elektromos termékek nem helyezhetők a háztartási hulladék közé. Vigye hivatalos újrahasznosító telephelyre.
	Zaj	Garantált hangteljesítményszint.
	Ne tegye ki eső hatásának	Ne használja esőben, és hagyja kint, ha esik az eső.
IPX4	IP szimbólum	Víz behatolása elleni védelmi szint: 4.
V	Volt	Feszültség
mm	milliméter	Hossz vagy méret
kg	kilogramm	Súly

HU

AZ ELEKTROMOS SZERSZÁMOKRA VONATKOZÓ ÁLTALÁNOS BIZTONSÁGI FIGYELMEZTETÉSEK

▲ FIGYELMEZTETÉS Olvassa el az elektromos kéziszerszámhoz mellékelte összes biztonsági figyelmeztetést, utasítást, ábrát és specifikációt. Az alább felsorolt utasítások be nem tartása áramütést, tűzveszélyt és/vagy súlyos sérülést idézhet elő.

Őrizzen meg minden figyelmeztetést és utasítást, hogy később is elő tudja majd venni.

MUNKATERÜLET BIZTONSÁG

- A munkaterület legyen tiszta és jól megvilágított. A munkahelyen uralkodó rendetlenségnek vagy a rossz megvilágításnak baleset lehet a következménye.
- Ne használjon elektromos szerszámokat robbanási veszélynek kitett környezetben, például olyan helyen, ahol éghető folyadékok, gázok vagy porok találhatóak. Az elektromos kéziszerszámok szikrákat képeznek, amelyek meggyújthatják a porokat vagy gázokat.
- Tartsa távol a gyermekeket és az illetéktelen személyeket, amikor elektromos kéziszerszámmal dolgozik. Ha megzavarják, elveszítheti uralmát a készülék felett.

ELEKTROMOS BIZTONSÁG

- **Ne tegye ki az elektromos kéziszerszámot esőnek vagy nedves környezetnek.** Az elektromos kéziszerszámba bekerülő víz megnöveli az áramütés kockázatát.

SZEMÉLYI BIZTONSÁG

- **Legyen figyelmes, ügyeljen arra, amit csinál, és józan ésszel fogjon a munkához, ha elektromos kéziszerszámot használ.** Ne használjon elektromos kéziszerszámot, ha fáradt, kábítószert, alkoholt vagy gyógyszer befolyása alatt áll. Az elektromos kéziszerszám üzemeltetése közben egy pillanatnyi figyelmetlenség is súlyos személyi sérülést okozhat.
- **Mindig használjon egyéni védőfelszerelést.** Az egyéni védőfelszerelések, mint például védőszemüveg, porvédő maszk, csúszásmentes lábbeli, sisak és/vagy hallásvédő rendeltetészerű használata csökkenti a személyi sérülés veszélyét.
- **Akadályozza meg a véletlen indítást.** Ügyeljen arra, hogy a kapcsoló kikapcsolt állásban legyen, mielőtt az akkumulátorhoz csatlakoztatja, felveszi vagy viszi a szerszámot. Balesetekhez vezethet, ha a hálózatra csatlakoztatott szerszámot úgy viszi, hogy közben az ujjja a bekapcsoló gombon van, vagy ha a hálózati csatlakozódugót olyankor dugja be az aljzatba, amikor be van kapcsolva a szerszám.
- **Vegye ki a szerszámkulcsot és a beállító szerszámot, mielőtt az elektromos kéziszerszámot bekapcsolná.** Az elektromos szerszám mozgó alkatrészén felejtett csavarkulcs vagy eszköz személyi sérülést okozhat.
- **Ne hajoljon a gép fölé.** Vegyen fel stabil testhelyzetet, és mindig tartsa meg az egyensúlyát. Ezáltal jobban tudja irányítani az elektromos kéziszerszámot a legváratlanabb helyzetben is.
- **Viseljen megfelelő ruházatot. Ne hordjon laza, bő ruhát, és ne viseljen ékszert.** A haj és a ruházat ne érjen a mozgó részekhez. A laza ruházatot, az ékszert vagy a hosszú hajat becsíphetik a mozgó alkatrészek.
- **Ha az elektromos kéziszerszámot porfelszívó vagy porfelfogó eszközzel szerelik fel, akkor győződjön meg arról, hogy ezek előírászerűen vannak-e csatlakoztatva, és használja őket a rendeltetésüknek megfelelően.** Porgyűjtő használata csökkentheti a porral járó veszélyeket.
- **Ne hagyja, hogy a rendszeres használat során megszerzett tapasztalat miatt önteltté váljon, és emiatt figyelmen kívül hagyja a biztonsági irányelveket.** Egy óvatlan cselekedet a másodperc töredéke alatt súlyos sérülést okozhat.

A KÉZI SZERSZÁMGÉP ÜZEMELTETÉSE ÉS GONDOZÁSA

- **Ne terhelje túl az elektromos kéziszerszámot.**
A munkájához használja az arra alkalmas elektromos kéziszerszámot. A megfelelő elektromos kéziszerszámmal jobban és biztonságosabban dolgozhat a megadott teljesítményhatárokon belül.
- **Ne használja az elektromos kéziszerszámot, ha nem lehet a bekapcsoló segítségével be- vagy kikapcsolni.** Az olyan elektromos kéziszerszám, amely nem irányítható a kapcsolóval, veszélyes és javításra szorul.
- **Távolítsa el az akkucsomagot, ha lehetséges, az elektromos szerszámból, és/vagy kapcsolja be, ha van, az akkucsomagot lekapcsoló eszközt, mielőtt eltávolítaná a beszorult anyagokat, beállításokat végezne, tartozékokat cserélné, tisztítást végezne, vagy félretenné az elektromos szerszámot.** Az ilyen megelőző biztonsági óvintézkedések csökkentik az elektromos kéziszerszám véletlen beindításának kockázatát.
- **A használaton kívüli elektromos kéziszerszámokat gyermekektől távol tartsa, és ne engedje meg, hogy olyan személyek használják az elektromos kéziszerszámot, akik nem ismerik azt, vagy nincsenek tisztában ezekkel a biztonsági utasításokkal.** Az elektromos kéziszerszámok veszélyt jelentenek a gyakorlatlan felhasználó kezében.
- **Gondosan ápolja az elektromos szerszámot és tartozékait.** Ellenőrizze a mozgó részek beállítását és rögzítését, vizsgáljon meg minden részt, nem sérült-e, és ellenőrizze, nem állnak-e fenn olyan körülmények, amelyek befolyásolhatják az elektromos kéziszerszámok helyes kezelését. Használat előtt javíttassa meg a sérült elektromos kéziszerszámot. A rosszul karbantartott elektromos szerszámok és tartozékok sok balesetet okoznak.
- **A vágószerszámok legyenek mindig élesek és tiszták.** A megfelelően karbantartott és kiélezett vágószékekkel rendelkező vágószerszámok kevésbé hajlamosak az elgöngyölésre, valamint könnyebben kezelhetők.
- **Az elektromos kéziszerszámot, tartozékokat, vágóféléteket, stb. mindig ezen biztonsági utasításoknak megfelelően használja, mindig vegye figyelembe a munkakörülményeket, és legyen tekintettel a megmunkálandó munkadarabra.** Az elektromos kéziszerszámoknak az előírt rendeltetési céltól eltérő célra való használata veszélyes.

- **Tartsa szárazon, tisztán, olajtól és zsírtól mentesen a fogantyúkat és a tartófelületeket.** A csúszós fogantyúk és markolatok nem biztonságos működtetéshez és a szerszám feletti uralom elvesztéséhez vezethetnek.
- **Tartsa távol a kábeleket, vezetéseket a szerszám munkaterületétől.** Használat közben előfordulhat, hogy a kábelek nem láthatók, és azokat véletlenül megrongálhatja a szerszám.

AZ AKKUMULÁTORRAL MŰKÖDŐ SZERSZÁM ÜZEMELTETÉSE ÉS GONDOZÁSA

- **Csak a gyártó által meghatározott töltőt használja.** Az olyan töltő, amely egy típusú akkumulátoregységhez alkalmas, tűzveszélyt okozhat, ha más típusú akkumulátoregységhez használja.
- **Az elektromos kéziszerszámokat csak speciálisan meghatározott akkumulátoregységekkel használja.** Bármely más akkumulátoregység használata sérülés- vagy tűzveszélyt okozhat.
- **Amikor nem használja az akkumulátoregységet, tartsa távol más fémtárgyaktól, például gemkapocs, érmék, kulcsok, tűk, csavarok vagy más kis fémtárgyak, amelyek kapcsolatba léphetnek vele.** Amennyiben együtt tartja az akkumulátorokat, az égési sérülést vagy tüzet okozhat.
- **Nem megfelelő körülmények között folyadék szivároghat az akkumulátorból; ne érjen ehhez.** Amennyiben véletlenül hozzáérne, mossa le vízzel. Ha ez a folyadék szembe kerül, kiegészítőleg forduljon orvoshoz. Az akkumulátorból kiszivárgó folyadék irritációt vagy égést okozhat.
- **Ne használjon sérült vagy módosított akkumulátoregységet vagy szerszámot.** A sérült vagy módosított akkumulátorok előre nem látható viselkedést válthatnak ki, amelynek eredménye tűz vagy sérülésveszély lehet.
- **Ne tegye ki az akkumulátoregységet tűznek vagy túlzott hőmérsékletnek.** Ha tűznek, vagy 130 °C feletti hőmérsékletnek teszi ki, akkor felrobbanhat.
- **Tartsa be a töltési utasításokat, és ne töltse az akkumulátoregységet vagy a szerszámot az utasításokban meghatározott hőmérséklet-tartományon kívül.** A nem megfelelő vagy a meghatározott hőmérséklet-tartományon kívüli töltés megrongálhatja az akkumulátort, és növeli a tűzveszélyt.

HU

EGYÉB BIZTONSÁGI FIGYELMEZTETÉSEK

KÉPZÉS

- Körültekintően olvassa el az utasításokat. Ismerje meg a gép szabályozását és helyes használatát.
- Ne engedélyezze a gép használatát gyermekeknek vagy olyan személyeknek, akik nem ismerik ezeket az utasításokat. A helyi rendelkezések korlátozásokat tartalmazhatnak a szerszám működtetőjének életkorára vonatkozóan.
- Soha ne dolgozzon, ha emberek, különösen gyermekek, vagy kis állatok vannak a közelben.
- Ne feledje, hogy a szerszám működtetője a felelős azokért a balesetekért vagy veszélyekért, amelyek más embereket érintenek vagy mások vagyontárgyait érintik.

ELŐKÉSZÍTÉS

- Munkavégzés közben mindig megfelelő lábbelit és hosszúszerű nadrágot kell viselni. Ne használja a készüléket meztláb vagy nyitott cipőben.
- Alaposan vizsgálja meg a területet, ahol a készüléket használni fogja és távolítsa el minden tárgyat, amit a gép felvehet
- Használat előtt mindig vizsgálja meg, hogy az eszközök nem károsodtak vagy kopottak-e. Készletek formájában cserélje a kopott vagy károsodott elemeket az egyensúly fenntartása érdekében.

MŰKÖDTETÉS

- Ne működtesse a motort olyan zárt térben, ahol veszélyes szén-monoxid gáz gyűlhet fel
- Csak nappali világosságnál vagy megfelelő mesterséges megvilágítás mellett dolgozzon
- Ha lejtős terepen van, mindig ügyeljen rá, hova lép
- Sétáljon, soha ne fusson a géppel.
- Kerekes gépek esetén lejtőkön mindig keresztírányban dolgozzon, soha ne fel és le.
- Legyen különösen elővigyázatos, amikor irányt vált a lejtőn.
- Ne dolgozzon túlságosan meredek lejtőkön.
- Legyen rendkívül óvatos, ha megfordítja vagy önmaga felé húzza a gépet.
- Ne módosítsa a motor fordulatszám-irányító beállításait, és ne működtesse túl gyorsan a motort.
- Óvatosan indítsa be a motort, a gyártó utasításainak megfelelően, a lábakat az eszköztől távol tartva.
- Ne tegye kezét vagy lábfejét a forgó alkatrészek alá.
- Bekapcsolt állapotban soha ne emelje fel vagy cipelje a gépet.

- Csak az A.ábrán felsorolt akkumulátoregységeket és töltőket használja.

MŰKÖDTETÉS LEJTŐN:

A lejtőkön történik a legtöbb csúszás vagy esés baleset, amely súlyos sérülést okozhat. Ha lejtős terepen van, mindig ügyeljen rá, hova lép. A lejtőkön való működtetés különleges odafigyelést igényel. Ha nehézkesnek tartja a lejtőn, ne használja.

- Ügyeljen a lyukakra, kövekre, rejtett tárgyakra, vagy kiemelkedésre, amely miatt megcsúszhat vagy megbotolhat. A magas fűben lehetnek rejtett akadályok.

SZERVIZ

- Az elektromos kéziszerszámot szakképzett személlyel, eredeti cserealkatrész felhasználásával javíttassa meg. Ezzel biztosítja az elektromos kéziszerszám biztonságának fenntartását.
- Soha ne szervizeljen sérült akkumulátoregységet. Az akkumulátoregységet csak a gyártó vagy felhatalmazott szerviz szolgáltató szervizelheti.

▲ FIGYELMEZTETÉS: Olvassa el az elektromos kéziszerszámhoz mellékelt összes biztonsági figyelmeztetést, utasítást, ábrát és specifikációt. Az alább felsorolt utasítások be nem tartása áramütést, tűzveszélyt és/vagy súlyos sérülést idézhet elő. Órizzon meg minden figyelmeztetést és utasítást, hogy később is elő tudja majd venni.

ŐRIZZE MEG EZEKET AZ UTASÍTÁSOKAT!

MŰSZAKI ADATOK

Szelvények szélessége	240 mm	
Szelvények mélysége	215 mm	
Penge mérete	215 mm	
Működési hőmérséklet	0°C-40°C	
Tárolási hőmérséklet	-20°C-70°C	
Súly (burkolatta együtt)	3,9 kg	
Mért hangteljesítményszint L_{WA}	87,6 dB(A) K=2,02 dB(A)	
Hangnyomásszint a kezelő L_{PA} fülénél	77,0 dB(A) K=3 dB(A)	
Garantált hangteljesítményszint L_{WA} (a 2000/14/EK szerint mérve)	90 dB(A)	
Vibráció értéke a_{H1} :	Elülső segédfogantyú	0,94 m/s ² K= 1,5 m/s ²
	Hátsó fogantyú	1,24 m/s ² K= 1,5 m/s ²

- A fenti paraméterek PH1400E meghajtófejjel felszerelve kerültek tesztelésre és mérésre.
- A névleges rezgési összérték mérése standard bevizsgálási módszerrel történt, és használatával a szerszámok egymással összehasonlíthatók;
- A névleges rezgési érték a kockázat előzetes felméréséhez is felhasználható.

MEGJEGYZÉS: A rezgés kibocsátás az elektromos szerszám aktuális használata közben eltérhet attól a névleges értéktől, amellyel a szerszámot használják: a kezelő védelme érdekében a használónak kesztyűt és hallásvédőt kell használnia működtetés közben.

CONȚINUTUL AMBALAJULUI

DENUMIRE PIESĂ	CANTITATE
Kultivátor tartozék	1
Burkolat (csavarral)	1
Imbuszkulcs	1
Manual de instrucțiuni	1

DESCRIERE

ISMERJE MEG A KULTIVÁTOR T (A ábra)

1. ZÁRÓSAPKA
2. Kultivátor tartozék tengely
3. Sebességváltó
4. Távtartó gyűrű
5. Külső pengék
6. Belső pengék
7. Sasszeg
8. Védőburkolat
9. Imbuszkulcs

ÖSSZESZERELÉS

⚠ FIGYELMEZTETÉS: Ha bármely alkatrész sérült vagy hiányzik, akkor ne működtesse a terméket, amíg az alkatrészeket ki nem cserélik. Sérült vagy hiányzó alkatrészekkel való használat súlyos személyes sérülést okozhat.

⚠ FIGYELMEZTETÉS: Ne próbálja megváltoztatni a terméket, és ne készítsen hozzá tartozékokat, amelyek nem javasoltak ehhez a termékhez. Bármilyen módosítás vagy változtatás helytelen használatnak minősül, és veszélyes feltételeket teremthet, amely súlyos személyi sérüléssel végződhet.

⚠ FIGYELMEZTETÉS: Mindig viseljen kesztyűt, amikor a pengét fel- vagy leszereli, vagy karbantartást végez a pengén. Legyen óvatos a pengével, és védje a kezét a penge vágásától.

⚠ FIGYELMEZTETÉS: Ne csatlakoztassa a kultivátort a meghajtófejhez, amíg az összeszerelés nem teljes. Amennyiben ezt nem tartja be, akkor véletlenül bekapcsolhatja a készüléke, amely súlyos személyi sérülést okozhat.

A BURKOLAT FELSZERELÉSE

⚠ FIGYELMEZTETÉS: A burkolatot a kultivátor meghajtófejéhez történő csatlakoztatása előtt szerelje fel.

1. Az imbuszkulccsal lazítsa meg és távolítsa el a csavarokat a burkolatról (B ábra).
2. Emelje fel a kultivátor tartozék tengelyét és távolítsa el a zárósapkát a tengelyről.

3. Illesse a burkolaton lévő nyílást a fémcímkével a tengely végén, vezesse át a burkolaton a tengelyen, amíg a burkolat és a fémcímke csavarmenetei illeszkednek egymáshoz (C és D ábra).

4. Használja az imbuszkulcsot a csavar meghúzásához óramutató járásával megfelelő irányban a burkolat biztos rögzítéséhez.

A D ábra alkatrészeinek leírását lásd lent:

D-1	Csavar
-----	--------

KULTIVÁTOR TARTOZÉK RÖGZÍTÉSE A MEGHAJTÓFEJRE

FIGYELMEZTETÉS: Soha ne csatlakoztasson vagy állítson be tartozékot, mialatt a meghajtófej működésben van, vagy ha az akkumulátor be van helyezve. Ha nem sikerül leállítani a motort, vagy kivenni az akkumulátort, akkor az súlyos személyi sérüléseket okozhat.

A kultivátor tartozékot EGO PH1400E meghajtófejhez tervezték

1. Állítsa le a motort, és vegye ki az akkumulátoregységet
2. Oldja ki a rögzítőgombot a meghajtófej csatlakozóján.
3. Ha a zárósapka a tartozék tengelyen van, távolítsa el és tegye biztos helyre későbbi felhasználáshoz. Igazítsa a kultivátoron tengelyén lévő nyílát a csatlakozón lévő nyíllal (E ábra) és tolja a kultivátor tengelyt a csatlakozóba, amíg KATTANÓ hangot nem hall (F ábra).

Az E ábra alkatrészeinek leírását lásd lent:

E-1	Tengelykioldó gomb
E-2	Nyíl a csatlakozón
E-3	Rögzítőgomb
E-4	Nyíl a tartozék tengelyen
E-5	Piros csík

Az F ábra alkatrészeinek leírását lásd lent:

F-1	Piros csík
-----	------------

4. Húzza ki kissé a tengelyt a kultivátorból, hogy megnézze, biztonságosan van-e a csatlakozóban rögzítve. Ha nem, forgassa a kultivátor tengelyt előre-hátra a csatlakozóban, amíg egy jól hallható KATTANÁS nem jelzi, hogy a helyére került.

5. Húzza meg biztonságosan a rögzítőgombot.

FIGYELMEZTETÉS: A készülék működtetése előtt győződjön meg arról, hogy a csatlakozón lévő rögzítőgomb meg van-e húzva; időnként ellenőrizze a rögzítettséget használat közben a súlyos személyi sérülések elkerülése érdekében.

ALKATRÉSZ LEVÉTELE A MEGHAJTÓFEJRŐL

1. Állítsa le a motort, és vegye ki az akkumulátoregységet.
2. Oldja ki a rögzítőgombot.
3. A tengelykioldó gomb megnyomása után húzza vagy forgassa ki a kultivátor tartozék tengelyét a csatlakozóból, hogy eltávolítsa a meghajtófejből

MŰKÖDTETÉS

FIGYELMEZTETÉS: Ne hagyja, hogy a termékkel szerzett jártassága miatt óvatlanná váljon. Emlékezzen arra, hogy a másodperc töredéke alatt történő óvatlanság súlyos sérülést okozhat.

FIGYELMEZTETÉS: Mindig viseljen védőszemüveget és hallásvédőt. Amennyiben nem ezt teszi, tárgyak repülhetnek a szemébe, és más komoly sérülések keletkezhetnek.

FIGYELMEZTETÉS: Ne használjon a gyártó által nem javasolt tartozékokat a termékhez. A nem javasolt tartozékok használata súlyos személyes sérülést okozhat.

ALKALMAZÁSOK

A terméket az alábbi célokra használhatja:

- A kerti föld feltörésére, az új vetés előkészítéséhez.
- Felszíni kultiválás gyomlálásához vagy a föld fellazításához a növények körül, ezáltal egyszerűbbé téve a levegő vagy a víz számára a behatolást mélyen a talajba.
- A talaj felső rétegének megmunkálása komposztal, levelekkel vagy egyéb biotrágyával. Talajmenti kultiválásra a talaj laza felső kéregrétegénél és a további tápanyagok bejuttatásához.
- Laza talaj árkolására van barázdálására.

MEGJEGYZÉS: A kultivátor vagy fák károsodásának elkerülése érdekében ügyeljen rá, hogy a pengék ne akadjanak nagy gyökerekbe vagy fadarabokba. Kerülje a túl mélyen történő kultiválást, mivel az károsíthatja egyes talajmenti növények gyökereit.

KULTIVÁTOR TARTOZÉK HASZNÁLATA A MEGHAJTÓFEJJELEL

▲ FIGYELMEZTETÉS: Megfelelően öltözzön fel a sérülések kockázatának csökkentése érdekében, amikor a szerszámot működteti. Ne viseljen laza ruházatot vagy ékszereket. Viseljen szemvédőt. Viseljen védő cipőt. Viseljen erős, hosszú szárú nadrágot, cipőt és kesztyűt. Ne viseljen rövidnadrágot vagy szandált, és ne járjon mezítláb.

A kultivátort mindig az egyik kezével a hátsó fogantyún és a másik kezével az első

fogantyún tartsa. A kultivátort működtetés közben mindig erősen fogja. A kultivátort kényelmes pozícióban tartsa, a hátsó fogantyú körülbelül csipőmagasságban legyen.

Fogja meg, és a két lábán egyensúlyozzon (G ábra).

Dolgozhat a kultivátort előre-hátra, balról jobbra, jobbról balra vagy körkörösén mozgatva. Válassza a céljának leginkább megfelelő módszert, ami a terület alakjától és méretétől, valamint a talaj állapotától függ.

Az előre-hátra váltakozó mozgású munkavégzés különösen alkalmas a tömör talaj fellazítására.

Árklásnál és barázdálásnál lépjen lassan hátrafelé és húzza a kultivátort a barázda kialakításához. Ismételje meg szükség szerint a mélyebb barázdák eléréséhez.

MEGJEGYZÉS: A kultivátor óvatos önmaga felé húzása, miközben a talajban ás, csökkenti a szükséges erő kifejtését és egyszerűbbé teszi a talajművelést.

A repülő anyagok súlyosan megsebesíthetik a kezelőt vagy a nézelődőket. A személyi sérülések kockázatának csökkentése érdekében mindenképpen tartsa be a következő óvintézkedéseket:

- Vizsgálja és tisztítsa meg a területet a takarásban lévő tárgytól, például üvegektől, kövektől, betontól, kerítésszövegtől, fémrészekről, stb., amelyek elrepülhetnek vagy amelyekben a penge elakadhat. Kerülje a kemény vagy szilárd idegen tárgyakkal való érintkezést.
- Vizsgálja meg rendszeresen, gyakran a pengéket, hogy egy kemény tárggyal ütközés után észrevegye a károsodás jeleit. Sérült pengével ne folytassa a munkát.
- Működés közben mindig tartsa két kézzel a kultivátort. Fogja erősen mindkét fogantyút.
- Beindítás előtt vigye a kultivátort a munkaterületre és lassú sebességen indítsa be.

A sérült és/vagy kopott alkatrészek ellenőrzése minden használat előtt. Ellenőrizze a pengét, védőburkolatot és első segédfofantyút, és cserélje ki a repedt, behajlott vagy sérült alkatrészeket.

Minden használat után közvetlenül tisztítsa meg a kultivátort

A KÉSZÜLÉK INDÍTÁSA/LEÁLLÍTÁSA

Lásd „A MEGHAJTÓFEJ INDÍTÁSA/LEÁLLÍTÁSA” fejezetet a PH1400E meghajtófej használati útmutatójában.

KARBANTARTÁS

▲ FIGYELMEZTETÉS: Javításkor használjon azonos pótalkatrészeket. Más alkatrészek használata veszélyt okozhat, vagy megrongálhatja a terméket. A biztonságosság és megbízhatóság biztosítása érdekében minden javítást szakképzett szerviztechnikus hajtson végre.

▲ FIGYELMEZTETÉS: Az akkumulátorral működő szerszámokat nem kell hálózati aljzathoz csatlakoztatni; ezért mindig működőképes állapotban vannak. A súlyos személyi sérülések elkerülése érdekében legyen rendkívül óvatos, amikor karbantartást, szervizelést végez, vagy kicseréli a vágóegységet vagy más alkatrészeket.

▲ FIGYELMEZTETÉS: A súlyos személyi sérülés megelőzése érdekében távolítsa el az akkumulátoregységet a meghajtófejből és várja meg, hogy az összes penge leálljon szervizelés, tisztítás, a további tartozékok cseréje és a termék használaton kívül helyezése előtt.

▲ FIGYELMEZTETÉS: Mindig viseljen kesztyűt, amikor a pengét fel- vagy leszereli, vagy karbantartást végez a pengén. Legyen óvatos a pengével, és védje a kezét a penge vágásától.

ÁLTALÁNOS KARBANTARTÁS

▲ FIGYELMEZTETÉS: Fékolaj, benzin, petróleum alapú termékek, behatoló olajok stb. soha ne érintkezzenek a műanyag alkatrészekkel. A vegyszerek megrongálhatják, gyengíthetik vagy megsemmisíthetik a műanyagot, amely súlyos személyi sérülést okozhat.

▲ FIGYELMEZTETÉS: A kultivátor tartozék tisztításkor NE merítse vízbe vagy más folyadékba. Ne tisztítsa a gépet nagynyomású mosóval. Az éles vízugar károsíthatja a gép alkatrészeit.

- Az összes csavar, alátét és hasonló rész legyen jól meghúzva, hogy biztosítsa, hogy a készülék biztonságos munká állapotban legyen.

- A tűzveszély csökkentése érdekében tartsa a motort, a hangtompítót és az akkumulátortartót vegetatív anyagoktól és maradvány kenőanyagoktól mentesen.
- Biztonsági okokból cserélje ki az elkopott vagy megsérült alkatrészeket.

PENGE KARBANTARTÁS

- A pengéket rozsdamentesítő olajjal rendszeresen tartsa karban.
- Ha valamelyik pengét kopás miatt cserélni kell, a legjobb teljesítmény érdekében mind a négy pengét cserélje.

Egyll kultivátor szervizt, amely eltér a jelen karbantartási utasításokban felsoroltaktól, arra jogosult szakembereknek kell végezni.

Cseréhez

A kultivátornak négy pengéje van – két belső penge és két külső penge. A kultivátor helyes működéséhez a pengéket helyes irányban kell felszerelni. Az L és R szimbólumok láthatók a pengéken (H és I ábra).

A H és I ábra alkatrészeinek leírását lásd lent:

H-1	Hajtott tengely	H-7	Sasszeg
H-2	Belső távtartó gyűrű	I-1	Sasszeg
H-3	Külső távtartó gyűrű	I-2	Külső penge „R” jelzéssel
H-4	L szimbólum	I-3	Belső penge „R” jelzéssel
H-5	Belső penge „L” jelzéssel	I-4	R szimbólum
H-6	Külső penge „L” jelzéssel		

MEGJEGYZÉS: A PENGÉK, AMELYEKNEK MINDKÉT IRÁNYBA MUTATÓ KULTIVÁTORFOGA VAN A BELSŐ OLDALRA KELL SZERELNI, A SEBESÉGVÁLTÓHOZ LEGKÖZELEBB

1. Viseljen védőkesztyűt.
2. Helyezze az „L” jelzésű belső pengét, amelynek mindkét irányba mutató kultivátorfoga van, a sebességváltó bal oldalára.
3. Helyezze az „L” jelzésű külső pengét (a kultivátorfog csak egy irányba mutat) ugyanarra az oldalra, a külső távtartó gyűrűvel a belső pengével szemben.
4. A penge meghajtó tengelyhez történő rögzítéséhez illessze a sasszeget az 1-es zárnnyílásba. Referenciáért lásd a J, K, L és N ábrát.

5. Fordítsa az eszközt a felszerelt pengével a föld felé.
6. Helyezze az „R” jelzésű belső pengét, amelynek mindkét irányba mutató kultivátorfoga van, a sebességváltó jobb oldalára.
7. Helyezze az „R” jelzésű külső pengét (a kultivátorfog csak egy irányba mutat) ugyanarra az oldalra, a külső távtartó gyűrűvel a belső pengével szemben.
8. A penge meghajtó tengelyhez történő rögzítéséhez illessze a sasszeget az 1-es zárnnyílásba, majd fordítsa a sasszeget 90°-ban. Referenciáért lásd a J, K, L és N ábrát.

▲ FIGYELMEZTETÉS: Az egység nem fog megfelelően működni vagy veszélyhelyzetet teremthet a kezelő vagy nézelődők számára, ha a pengéket helytelenül szerelik fel. Ha problémát észlel az egység kultiváló működésével kapcsolatban, ellenőrizze a megfelelő penge pozicionálást.

A PENGÉKET, AMELYEKNEK MINDKÉT IRÁNYBA MUTATÓ KULTIVÁTORFOGA VAN, BEFELÉ, A SEBESÉGVÁLTÓHOZ LEGKÖZELEBB KELL FELSZERELNI.

Beállítás

Ha zárt területen vagy sorok között műveli a talajt, a kultivátor használható csak a belső felszerelt pengékkel is.

Használjon kesztyűt és távolítsa el a két sasszeget a két külső penge leszereléséhez (M ábra), majd illessze a sasszegeket a 2-es zárnnyílásba (N és O ábra).

Az N ábra alkatrészeinek leírását lásd lent:

N-1	1-es zárnnyílás
N-2	2-es zárnnyílás

MEGJEGYZÉS: Ne erőltesse a pengéket le vagy fel a hajtott tengelyről. Ha nehézséget tapasztal a pengék leszerelésakor, tegyen egy kis zsíróolajat a tengelyre. A pengét újra felszerelésakor gondoskodjon a meghajtó tengely és pengék tisztításáról és beolajozásáról.

AZ EGYSÉG TISZTÍTÁSA

A növények darabjai, például a gyökerek, a forgópengék köré és közé tekeredhetnek működés közben. A forgópengék tisztításához:

- Vegye ki az akkumulátort.
- Viseljen védőkesztyűt. Tisztítsa le a gyökérdarabokat, a pengéken, a burkolaton vagy a sebességváltón lerakódott föld- vagy növénydarabokat. Az alapos tisztításhoz távolítsa el a pengéket és a burkolatot, hogy lemoshassa őket. A csere részletes lépéseihez tekintse meg a fenti szakaszt

“A PENGÉK CSERÉJE VAGY BEÁLLÍTÁSA”.

- Törölje le a szerszám felületét egy tiszta, kímélő szappanos oldattal megnedvesített ruhával

AZ EGYSÉG TÁROLÁSA

- Vegye ki az akkumulátoregységet a szerszámból.
- Távolítsa el a kultivátor tartozékot a meghajtófejről és fedje le a tartozék tengelyt a zárósapkával, hogy ne juthasson kosz a csatlakozásba.
- Az eszközt száraz, jól szellőző helyen tárolja, ahol gyermekek nem érik el. Ne tárolja az egységet benzin vagy más vegyszerek mellett.

A környezet védelme



Ne dobja az elektromos felszerelést, az akkumulátor töltőt és az akkumulátorokat/újratölthető akkumulátorokat a háztartási hulladékok közé! Az elektromos és elektronikus berendezések hulladékairól szóló 2012/19/EU európai törvény, amely már nincs érvényben, és az 2006/66/EK európai törvény értelmében a sérült vagy elhasznált akkumulátoregységeket/akkumulátorokat külön kell gyűjteni. Ha az elektromos berendezéseket talajfeltöltési vagy árokbetömési célokra használják, olyan veszélyes anyagok kerülhetnek belőlük a talajvízbe, majd onnan a táplálkozási láncba, amelyek veszélyeztetik az egészséget.

HIBAE LHÁRÍTÁS

PROBLÉMA	A PROBLÉMA OKA	MEGOLDÁS
A kultivátor nem indul.	<ul style="list-style-type: none"> ■ Az akkumulátoregység nincs megfelelően csatlakoztatva a meghajtófejhez. ■ Nincs elektromos kapcsolat a meghajtófej és az akkumulátoregység között. ■ Az akkumulátoregység lemerült. ■ A kapcsoló gomb és a trigger nem egyidejűleg van megnyomva. 	<ul style="list-style-type: none"> ■ Csatlakoztassa az akkumulátoregységet a meghajtófejhez. ■ Vegye ki az akkumulátoregységet, ellenőrizze a csatlakozást, és helyezze vissza az akkumulátoregységet úgy, hogy a helyére ugorjon. ■ Töltse fel az akkumulátoregységet EGO a jelen útmutatóban megadott töltővel. ■ Nyomja meg és tartsa lenyomva a kapcsoló gombot, majd oldja ki a triggert az egység bekapcsolásához.
A kultivátor leáll talajművelés alatt.	<ul style="list-style-type: none"> ■ A motor túlterhelt. ■ Az akkumulátoregység túl forró. ■ A penge beakadt. ■ Az akkumulátoregység ki van véve a szerszámból ■ Az akkumulátor lemerült 	<ul style="list-style-type: none"> ■ A motor újra működőképes, ha a terhet eltávolítja. A folyamatos munkavégzéshez csökkentse a kultivátor terhelését és kerülje a mély talajmunkát, inkább fokozatosan mélyítse a vágásokat. ■ Hagyja kihűlni az akkumulátoregységet 67 °C alatti hőmérsékletre. ■ Távolítsa el az akkumulátort a meghajtófejről, forgassa a pengéket manuálisan előre-hátra a pengék közötti kövek és egyéb akadályok eltávolításához vagy azokhoz, amik a penge és a sebességváltó között vannak. ■ Helyezze vissza az akkumulátoregységet. ■ Töltse fel az akkumulátoregységet EGO a jelen útmutatóban megadott töltővel.

HU

GARANCIA

EGO GARANCIÁLIS FELTÉTELEK

Kérjük, látogasson el az egopowerplus.com oldalra, ahol megtalálja a részletes EGO garanciális feltételeket.

CITIȚI TOATE INSTRUCȚIUNILE!



CITIȚI ȘI ÎNȚELEGEȚI MANUALUL DE INSTRUCȚIUNI

⚠ Riscuri reziduale! Persoanele cu dispozitive electronice precum stimulatoare cardiace ar trebui să-și consulte medicul (medicii) înainte de a utiliza acest produs. Utilizarea unui echipament electric în imediata apropiere a unui stimulator cardiac poate cauza interferențe sau pana stimulatorului.

⚠ AVERTISMENT: Pentru siguranța și fiabilitatea produsului, toate reparațiile ar trebui efectuate de către un tehnician de service autorizat.

SIMBOLURI PRIVIND SIGURANȚA

Scopul simbolurilor privind siguranța este să vă atragă atenția asupra pericolelor posibile. Simbolurile privind siguranța și explicațiile furnizate cu acestea merită atenția și înțelegerea dumneavoastră. Simbolurile de avertizare, ele singure, nu elimină niciun pericol. Instrucțiunile și avertismentele pe care le oferă nu pot înlocui măsurile corecte de prevenire a accidentelor.

⚠ AVERTISMENT: Asigurați-vă că ați citit și înțelegiți toate instrucțiunile privind siguranța din acest Manual de utilizare, inclusiv toate simbolurile de alertă privind siguranța precum "PERICOL," "AVERTISMENT," și "ATENȚIE" înainte de a utiliza această sculă. Nerespectarea tuturor avertismentelor și instrucțiunilor poate duce la electrocutare, incendiu și/sau răniiri grave.

SEMNIFICAȚIA SIMBOLURILOR

⚠ Simbol de avertizare privind siguranța: Indică PERICOL, AVERTISMENT, SAU ATENȚIE. Poate fi utilizat împreună cu alte avertismente sau pictograme.






⚠ AVERTISMENT: Operarea oricărui scule electrice poate rezulta în proiectarea înspre ochii dumneavoastră a unor obiecte străine, ceea ce poate duce la vătămări grave ale ochilor. Înainte de a începe să utilizați scula electrică, întotdeauna purtați ochelari de protecție cu apărători laterale și vizieră facială completă când este nevoie. Vă recomandăm să purtați o Vizieră lată de protecție peste ochelarii de vedere sau ochelari de protecție standard cu apărători laterale.

INSTRUCȚIUNI PRIVIND SIGURANȚA

Această pagină descrie simbolurile de siguranță ce pot apărea pe acest produs. Citiți, înțelegeți, și respectați toate instrucțiunile de pe mașină înainte de asamblare și operare.

	Alertă privind siguranța	Indică un risc posibil de vătămare personală.
	Citiți și înțelegeți manualul de instrucțiuni	Pentru a reduce riscul de rănire, utilizatorul trebuie să citească și să înțeleagă manualul de instrucțiuni înainte de a utiliza acest produs.
	Purtați echipament de protecție auditivă	Purtați întotdeauna echipament de protecție auditivă când utilizați această sculă.
	Purtați echipament de protecție oculară	Purtați întotdeauna ochelari de protecție sau ochelari de protecție cu apărători laterale când utilizați acest produs.
	Purtați mănuși de protecție	Protejați-vă mâinile cu mănuși când manevrați lamele. Mănușile super rezistente, nealunecoase vă îmbunătățesc aderența și vă protejează mâinile.
	Purtați încălțăminte de protecție	Purtați încălțăminte antiderapantă când utilizați acest echipament.
	Ricoșeu	Obiectele aruncate pot ricoșa și cauza vătămări corporale și pagube.
	Țineți picioarele la distanță	Pentru a reduce riscul de răni cauzate de tăieturi, țineți-vă la distanță picioarele de lamele rotative.
	Țineți trecătorii la distanță	Țineți trecătorii la o distanță de siguranță
	CE	Acest produs este în conformitate cu directivele europene aplicabile.

RO

	DEEE	Deșeurile produselor electrice nu trebuie să fie eliminate împreună cu deșeurile menajere. Predați-le unui punct de reciclare autorizat.
	Zgomot	Nivelul puterii sunetului garantat.
	A nu se expune la ploaie	Nu utilizați acest produs în ploaie și nu-l lăsați în exterior în timp ce plouă.
IPX4	Simbol IP	Protecție împotriva pătrunderii apei de grad 4
V	Volt	Voltaj
mm	Milimetru	Lungime sau dimensiuni
kg	Kilogram	Greutate

INSTRUCȚIUNI GENERALE DE SIGURANȚĂ PENTRU SCULE ELECTRICE

⚠ AVERTISMENT Citiți toate instrucțiunile, avertismentele de siguranță, ilustrațiile și specificațiile livrate împreună cu această sculă electrică. Nerespectarea tuturor avertismentelor și instrucțiunilor poate duce la electrocutare, incendii și/sau accidente grave.

Păstrați toate avertisările și instrucțiunile pentru consultare ulterioară.

SIGURANȚA ZONEI DE LUCRU

- **Păstrați zona de lucru curată și bine iluminată.** Zonele dezordonate și întunecoase predisun la accidente.
- **Nu puneți în funcțiune sculele electrice în atmosfere explozive, cum ar fi în prezența lichidelor, gazelor sau prafurilor inflamabile.** Sculele electrice creează scântei, care pot aprinde praful sau gazele.
- **Țineți copiii și persoanele prezente la distanță atunci când operați o sculă electrică.** Distragerea atenției vă poate face să pierdeți controlul.

SIGURANȚA ELECTRICĂ

- **Nu expuneți sculele electrice la ploaie sau condiții de umiditate.** Pătrunderea apei într-o sculă electrică va crește riscul de electrocutare.

SIGURANȚA PERSONALĂ

- **Păstrați-vă vigilența, urmăriți ceea ce faceți și apelați la bunul simț când utilizați o sculă electrică.** Nu utilizați o sculă electrică când sunteți obosit, sau sub influența medicamentelor, a alcoolului sau a medicației. Un moment de neatenție în timp ce utilizați sculele electrice se poate solda cu vătămări grave.
- **Întotdeauna utilizați echipament individual de protecție.** Echipamentele de protecție, cum ar fi protecțiile oculare, masca de praf, bocancii de protecție antiderapanți, casca sau antifoanele utilizate în condiții corespunzătoare, vor reduce vătămările corporale.
- **Preveniți pornirea accidentală. Asigurați-vă că întrerupătorul este în poziția oprit înainte de a conecta la acumulator, înainte de a ridica sau transporta scula.** Transportul sculelor electrice cu degetul pe întrerupător sau cu alimentarea cu energie electrică pornită, predisune la accidente.
- **Îndepărtați orice cheie de reglare sau cheie fixă înainte de a porni scula electrică.** O cheie fixă sau reglabilă lăsată într-o piesă rotativă a sculei electrice poate duce la accidente.
- **Nu vă întindeți excesiv.** Păstrați-vă întotdeauna o poziție stabilă a picioarelor și echilibrul. Astfel veți avea un mai bun control asupra sculei electrice în situații neașteptate.
- **Îmbrăcați-vă corespunzător.** Nu purtați haine largi sau bijuterii. Păstrați-vă părul și îmbrăcămintea departe de componentele în mișcare. Îmbrăcămintea largă, bijuteriile sau părul lung se pot prinde în piesele în mișcare.
- **Dacă sunt furnizate dispozitive pentru conectarea sistemelor de extragere și colectare a prafului, asigurați-vă că acestea sunt conectate și utilizate corespunzător.** Utilizarea dispozitivelor de colectare a prafului poate reduce pericolele legate de praf.
- **Nu permiteți ca familiaritatea dobândită în urma utilizării frecvente a sculelor să vă facă să neglijați sau să nesocotiți principiile de siguranță ale sculei.** O operație neglijentă poate cauza răni grave într-o fracțiune de secundă.

UTILIZAREA ȘI ÎNGRIJIREA SCULELOR ELECTRICE

- **Nu forțați scula electrică.** Utilizați scula electrică corespunzătoare pentru aplicația dumneavoastră. Scula electrică corectă va face o treabă mai bună și mai sigură când este utilizată conform specificațiilor pentru care a fost concepută.

- **Nu utilizați scula electrică dacă întrerupătorul nu comută pe pozițiile pornit și oprit.** Orice sculă electrică ce nu poate fi controlată cu întrerupătorul este periculoasă și trebuie reparată.
 - **Deconectați setul de acumulatori, dacă este detașabil, de scula electrică și/sau activați orice dispozitiv de dezactivare a acumulatorului înainte de efectuarea oricărui reglaje, schimbări de accesorii, curățare sau înainte de depozitarea sculelor electrice.** Astfel de măsuri preventive de siguranță reduc riscul de pornire accidentală a sculei electrice.
 - **Depozitați sculele electrice într-un loc inaccesibil copiilor și nu permiteți utilizarea sculei electrice de persoane nefamiliarizate cu aceasta sau cu aceste instrucțiuni.** Sculele electrice sunt periculoase în mâna utilizatorilor neinstruiți.
 - **Întrețineți sculele electrice și accesoriile. Verificați dacă există abateri de la coaxialitate sau îndoiri ale pieselor în mișcare, avarii ale pieselor și orice altă situație care poate afecta funcționarea sculelor electrice.** În caz de deteriorare, reparați scula electrică înainte de utilizare. Multe accidente sunt cauzate de sculele electrice și accesoriile prost întreținute.
 - **Mențineți sculele de tăiere ascuțite și curate.** Sculele de tăiere întreținute corespunzător și cu muchii de tăiere ascuțite riscă mai puțin să se îndoie și sunt mai ușor de controlat.
 - **Utilizați scula electrică, accesoriile și cuțitele demontabile etc. în conformitate cu aceste instrucțiuni, ținând cont de condițiile de lucru și lucrarea de efectuat.** Utilizarea sculei electrice pentru operații diferite de cele intenționate s-ar putea solda cu o situație periculoasă.
 - **Mențineți mânerul și suprafețele de apucat uscate, curate și fără ulei și vaselină.** Mânerul și suprafețele de apucare alunecoase pot duce la manevrarea nesigură și/sau la pierderea controlului asupra sculei.
 - **Țineți cablurile la distanță de zona de lucru a sculei.** În timpul funcționării sculei electrice, cabluri electrice pot fi mascate și pot fi tăiate accidental de sculă.
- UTILIZAREA ȘI ÎNGRIJIREA ACUMULATORULUI**
- **Reîncărcați numai cu încărcătorul specificat de producător.** Un încărcător adecvat pentru un tip de set de acumulatori poate prezenta risc de incendiu dacă e utilizat cu alt set de acumulatori.
 - **Utilizați sculele electrice doar cu seturile de acumulatori special menționate.** Utilizarea oricărui alt set de acumulatori prezintă risc de accidente și incendiu.
 - **Când nu se utilizează setul de acumulatori, țineți-l departe de alte obiecte metalice precum clamele de hârtie, monedele, cheile, cuiele, șuruburile sau alte obiecte metalice mici care pot realiza o conexiune între borne.** Scurtcircuitarea bornelor bateriei poate produce arsuri sau un incendiu.
 - **În condiții abuzive se poate scurge lichid din acumulator; evitați contactul.** Dacă are loc contactul accidental, clătiți cu apă. Dacă lichidul intră în contact cu ochii, efectuați suplimentar un consult medical. Lichidul scurs din acumulator poate produce iritări sau arsuri.
 - **Nu utilizați un set de acumulatori sau o sculă avariată sau modificată.** Acumulatorii avariați sau modificați pot prezenta un comportament neprevizibil ceea ce poate cauza incendii, explozii sau accidente.
 - **Nu expuneți setul de acumulatori la foc sau la temperaturi excesive.** Expunerea acestuia la foc sau la temperaturi ce depășesc 130 °C poate cauza o explozie.
 - **Respectați instrucțiunile de încărcare și nu încărcați setul de acumulatori sau scula în afara intervalului de temperatură specificat în instrucțiuni.** Încărcarea inadecvată sau la temperaturi situate în afara intervalului specificat pot avaria acumulatorul și spori riscul de incendiu.
- ALTE AVERTIZĂRI SUPLIMENTARE DE SIGURANȚĂ**
- INSTRUIREA**
- Citiți cu atenție instrucțiunile. Familiarizați-vă cu comenzile și cu utilizarea corectă a mașinii.
 - Nu permiteți niciodată persoanelor nefamiliarizate cu aceste instrucțiuni sau copiilor să utilizeze mașina. Reglementările locale pot restricționa vârsta operatorului.
 - Nu lucrați niciodată în timp ce sunt oameni, mai ales copii, sau animale în apropiere.
 - Rețineți că operatorul sau utilizatorul este responsabil de accidentele sau pericolele la care sunt supuse alte persoane sau bunurile acestora.
- PREGĂTIREA**
- În timp ce lucrați, purtați întotdeauna încălțăminte trainică și pantaloni lungi. Nu utilizați echipamentul când sunteți desculț sau când purtați sandale.
 - Inspectați cu atenție zona în care echipamentul urmează să fie utilizat și îndepărtați toate obiectele pe care mașina le poate arunca.

- Înainte de utilizare, verificați întotdeauna vizual pentru a vă asigura că sculele nu sunt uzate sau deteriorate. Înlocuiți lamele uzate sau componentele deteriorate și șuruburile în seturi, pentru a păstra echilibrul.

UTILIZAREA

- Nu puneți motorul în funcțiune într-un spațiu închis unde se pot acumula gaze periculoase de monoxid de carbon.
- Utilizați produsul numai pe timp de zi sau în condiții de lumină artificială bună.
- Mențineți întotdeauna o poziție stabilă pe pante.
- Mergeți, nu alergați niciodată cu mașina.
- Pentru mașini rotative pe roți, lucrați transversal pe pante, niciodată în sus și în jos.
- Fiți foarte atenți când schimbați direcția pe pante.
- Nu lucrați pe pante excesiv de înclinate.
- Fiți foarte atent când schimbați sensul sau când trageți mașina către dumneavoastră.
- Nu schimbați setările regulatorului de motor sau să supraturati motorul.
- Porniți motorul cu atenție, conform instrucțiunilor fabricantului și cu picioarele la distanță de sculă.
- Nu puneți niciodată mâinile sau picioarele în apropiere sau sub piesele în mișcare.
- Nu ridicați sau să deplasați o mașină în timp ce motorul este în funcțiune.
- Utilizați numai seturile de acumulatori și încărcători din fig.A.

UTILIZAREA PE O PANTĂ:

Pantele sunt un factor major în accidentele datorate alunecărilor și căderilor, care pot rezulta în răni grave. Mențineți întotdeauna o poziție stabilă pe pante. Funcționarea pe pante necesită grijă suplimentară. Dacă nu vă simțiți în siguranță pe o pantă, nu o lucrați pe pantă.

- Atenție la găuri, brazde, pietre, obiecte ascunse sau denivelări care v-ar putea face să cădeți sau să vă împiedicați. Iarba înaltă poate ascunde obstacole.

OPERAȚIILE DE SERVICE

- **Apelați numai la o persoană calificată pentru a vă repara scula electrică utilizând numai piese de schimb identice.** Astfel se asigură menținerea nivelului de siguranță al sculei electrice.
- **Nu efectuați niciodată operații de service asupra seturilor de acumulatori avariați.** Operații de service asupra seturilor de acumulatori trebuie efectuate numai de către fabricant sau de furnizori de service autorizați.

⚠ AVERTISMENT: Citiți toate instrucțiunile, avertizările de siguranță, ilustrațiile și specificațiile livrate împreună cu această sculă electrică. Nerespectarea tuturor instrucțiunilor enumerate mai jos se poate solda cu șoc electric, incendiu și/sau vătămare corporală gravă. Păstrați toate avertizările și instrucțiunile pentru consultare ulterioară.

PĂSTRAȚI ACESTE INSTRUCȚIUNI!

SPECIFICAȚII

Lățime de săpare	240 mm	
Adâncime de săpare	215 mm	
Dimensiune lamă	215 mm	
Temperatură de funcționare	0°C-40°C	
Temperatură de stocare	-20°C-70°C	
Greutate (inclusiv cu apăratoare)	3,9 kg	
Nivel de putere sonoră măsurată L_{WA}	87,6 dB(A) K=2,02 dB(A)	
Nivel de presiune sonoră la nivelul urechii utilizatorului L_{TA}	77,0 dB(A) K=3 dB(A)	
Nivel de putere acustică garantat L_{WA} (măsurat în conformitate cu 2000/14/CE)	90 dB(A)	
Valoarea vibrațiilor a_{hv}	Mâner frontal de operare	0,94 m/s ² K= 1,5 m/s ²
	Mâner posterior	1,24 m/s ² K= 1,5 m/s ²

Parametrii de mai sus sunt testați și măsurați când scula este echipată cu capul de alimentare PH1400E.

- Valoarea totală declarată a vibrațiilor a fost măsurată în conformitate cu o metodă standard de testare și poate fi utilizată pentru compararea sculelor între ele;
- Valoarea totală declarată poate fi utilizată în evaluarea preliminară a expunerii.

OBSERVAȚIE: Vibrațiile emise în timpul utilizării efective a sculei electrice pot diferi față de valoarea celor declarate pentru scula utilizată; Pentru protejarea operatorului, utilizatorul trebuie să poarte mănuși și protecții auditive în timpul utilizării efective a produsului.

CONȚINUTUL AMBALAJULUI

DENUMIRE PIESĂ	CANTITATE
Accesoriu motosăpătoare	1
Apărătoare (cu șurub)	1
Cheie hexagonală	1
Manual de instrucțiuni	1

DESCRIERE

DESCRIEREA MOTOSĂPĂTOAREI (Fig. A)

1. DOP
2. Tijă dispozitiv
3. Cutie de viteze
4. Manșon
5. Lame exterioare
6. Lame interioare
7. Știft de blocare
8. Apărătoare
9. Cheie hexagonală

ASAMBLAREA

⚠️ AVERTISMENT: În caz de piese avariate sau care lipsesc, nu utilizați acest produs dacă piesele nu sunt înlocuite. Utilizarea acestui produs cu piese avariate sau lipsă poate rezulta în vătămări personale grave.

⚠️ AVERTISMENT: Nu încercați să modificați acest produs sau să creați accesorii nerecomandate pentru acest produs. Orice alterare sau modificare este considerată utilizare greșită și poate duce la condiții periculoase ce pot rezulta în vătămări personale grave.

⚠️ AVERTISMENT: Întotdeauna purtați mănuși rezistente când instalați sau îndepărtați lama ori când efectuați orice operație de întreținere asupra lamei. Atenție la lama și protejați-vă mâinile pentru a nu fi rănite de lamă.

⚠️ AVERTISMENT: Nu conectați cultivatorul la capul de alimentare dacă asamblarea nu este terminată. Nerespectarea acestei instrucțiuni poate duce la pornirea accidentală și la eventuale accidentări grave.

INSTALAREA APĂRĂTORII

⚠️ AVERTISMENT: Instalați apărătoarea înainte ca accesoriul motosăpătoare să fie conectat la capul de alimentare.

1. Slăbiți și îndepărtați șurubul de pe apărătoare cu ajutorul cheii hexagonale (Fig. B).
2. Ridicați tija accesoriului și îndepărtați dopul de pe tijă.
3. Aliniați fanta de pe apărătoare cu clapeta de metal de la capătul tijei, treceți apărătoarea prin tijă până când orificiile șuruburilor de pe apărătoare și clapa de metal sunt aliniate (Fig. C).
4. Utilizați cheia hexagonală pentru a strânge șurubul în sensul acelor de ceas pentru a bloca bine apărătoarea.

Fig. D pentru descrierea pieselor consultați tabelul de mai jos:

D-1	Bolț
-----	------

CONECTAREA MOTOSĂPĂTOAREI LA CAPUL DE ALIMENTARE

⚠️ AVERTISMENT: Niciodată nu instalați, îndepărtați sau ajustați vreun dispozitiv în timp ce capul de alimentare este în funcțiune sau dacă acumulatorul este instalat. Neoprirea motorului și neîndepărtarea acumulatorului se pot solda cu răni personale grave.

Această motosăpătoare a fost concepută pentru a fi utilizată cu Capul de alimentare EGO Power PH1400E.

RO

1. Opriți motorul și scoateți setul de acumulatori.
2. Slăbiți șurubul cu cap de fluture de pe racordul capului de alimentare.
3. Dacă dopul se află pe tija accesoriului, îndepărtați-l și păstrați-l într-un loc sigur pentru utilizări ulterioare.

Aliniați săgeata de pe tija motosăpătoarei cu săgeata de pe racord (Fig. E) și împingeți tija motosăpătoarei în racord până la auzul unui declic (Fig. F).

Fig. E pentru descrierea pieselor consultați tabelul de mai jos:

E-1	Buton de eliberare tijă
E-2	Săgeată de pe racord
E-3	Șurub fluture
E-4	Săgeată de pe tija accesoriului
E-5	Linie roșie

Fig. F pentru descrierea pieselor consultați tabelul de mai jos:

F-1	Linie roșie
-----	-------------

4. Trageți ușor de tija accesoriului pentru a vă asigura că aceasta este bine blocată în racord. În caz contrar, rotiți tija motosăpătoarei înainte și înapoi în racord până la auzul unui declic clar ce indică anclanșarea acesteia.

5. Strângeți bine șurubul cu cap de fluture.

⚠️ AVERTISMENT: Asigurați-vă că șurubul cu cap de fluture de pe racord este bine strâns înainte de a utiliza echipamentul; asigurați-vă periodic că este bine strâns în timpul utilizării pentru evitarea rănilor grave.

DECONNECTAREA DISPOZITIVULUI DE CAPUL DE ALIMENTARE

1. Opriți motorul și scoateți setul de acumulatori.
2. Slăbiți șurubul cu cap de fluture.
3. Apăsând pe butonul de eliberare a tije, trageți sau răsuciți tija motosăpătoarei pentru a o scoate din racord și a o detașa de capul de alimentare.

FUNCȚIONAREA

⚠️ AVERTISMENT: Nu permiteți ca familiarizarea cu acest produs să vă facă neglijent. Amintiți-vă că o fracțiune de secundă de neglijență este suficientă pentru a provoca vătămări grave.

⚠️ AVERTISMENT: Purtați întotdeauna echipament de protecție oculară împreună cu echipament de protecție auditivă. Nerespectarea acestei instrucțiuni ar putea avea ca rezultat proiectarea în ochi a obiectelor și alte posibile vătămări grave.

⚠️ AVERTISMENT: Nu utilizați nicio componentă sau accesoriu care nu a fost recomandat de producătorul acestui produs. Utilizarea de accesorii nerecomandate se poate solda cu vătămări grave.

APLICAȚII

Puteți utiliza acest produs în scopul menționat mai jos:

- Afânarea solului de grădină în vederea preparării răsadurilor pentru replantare.
- Cultivare superficială pentru dislocarea rădăcinilor buruienilor sau a solului din jurul plantelor, facilitând penetrarea aerului sau a apei adânc în sol.

- Amestecarea stratului superior de pământ cu compost, frunze sau alți fertilizanți organici. Săparea superficială va desface stratul superior al solului și va integra nutrienții suplimentari.

- Săparea sau brăzdarea solului moale.

OBSERVAȚIE: Pentru a se evita avarierea săpătoarea sau a copacilor, aveți grijă să nu prindeți lamele în rădăcinile mari de copaci. Evitați săparea prea adâncă, deoarece aceasta ar putea avaria rădăcinile de suprafață ale unor plante.

UTILIZAREA ACCESORIULUI MOTOSĂPĂTOARE CU CAPUL DE ALIMENTARE

⚠️ AVERTISMENT: Îmbrăcați-vă corespunzător pentru a reduce riscul de rănire când utilizați această sculă. Nu purtați haine largi sau bijuterii. Purtați echipament de protecție oculară. Purtați încălțăminte de protecție. Purtați pantaloni lungi rezistenți, cizme și mănuși. Nu purtați pantaloni scurți, sandale sau să stați desculț. Țineți întotdeauna motosăpătoarea cu o mână pe mânerul posterior și cu cealaltă mână pe mânerul frontal de operare. Apucați ferm cu ambele mâini în timpul utilizării motosăpătoarei. Motosăpătoarea trebuie menținută într-o poziție confortabilă, cu mânerul posterior aproximativ la înălțimea șoldului.

Apucați cu fermitate și mențineți-vă echilibrul pe ambele picioare (Fig. G).

Puteți lucra deplasând motosăpătoarea înainte sau înapoi, de la stânga la dreapta, dreapta la stânga, sau într-o mișcare circulară. Alegeți cea mai bună metodă pentru obiectivul dumneavoastră, care va depinde de forma și de dimensiunile suprafeței și de condiția colului.

Executarea unei mișcări alternative înapoi și înainte este deosebit de adecvată pentru desțelenirea solului compactat.

Când săpați sau brăzdați, mergeți încet înapoi și trageți motosăpătoarea pentru a forma brazda. Repetați în funcție de necesități pentru obținerea unei brazde mai adânci.

OBSERVAȚIE: Trăgând motosăpătoarea cu grijă înspre dumneavoastră în timpul săpării solului, va micșora efortul depus și va face lucrarea mai ușor de executat.

Materialele aruncate pot răni grav operatorul sau trecătorii. Pentru a reduce riscul de rănire, este esențial să respectați următoarele măsuri:

- Inspectați și curățați zona de orice obiecte ascunse precum sticlă, pietre, bolovani, ciment, sărmă de gard, bucăți de metal, etc. care pot fi ejectate sau prinse în lame. Evitați contactul cu obiecte străine dure sau solide.

- Inspectați periodic și des lamele pentru depistarea semnelor de avariere sau după lovirea unui obiect dur. Nu continuați să lucrați cu o lamă avariată.
- Întotdeauna țineți motosăpătoarea cu fermitate cu ambele mâini în timpul utilizării. Apucați ferm ambele mâner.
- Deplasați motosăpătoarea spre zona d elucru înainte de a porni și demarați-o la viteză mică.

Înainte de fiecare utilizări, verificați pentru depistarea pieselor uzate și/sau avariate. Verificați lamele, apărătoarea și mânerul frontal de operare și înlocuiți piesele care sunt fisurate distorsionate, îndoite sau avariate în vreun fel.

Curățați motosăpătoarea după fiecare utilizare.

PORNIREA/OPRIREA SCULEI

Consultați capitolul privind " PORNIREA/OPRIREA CAPULUI DE ALIMENTARE " din manualul de instrucțiuni al

ÎNȚREȚINEREA

⚠ AVERTISMENT: La depanare, utilizați numai piese de schimb identice. Utilizarea oricărui altor piese poate crea un pericol sau poate produce o deteriorare. Pentru siguranța și fiabilitatea produsului, toate reparațiile ar trebui efectuate de către un tehnician de service autorizat.

⚠ AVERTISMENT: Sculele electrice alimentate cu baterii nu trebuie să fie racordate la o priză electrică, de aceea, acestea sunt întotdeauna în stare de funcționare. Pentru prevenirea rănilor personale grave, adoptați măsuri de siguranță suplimentare și de îngrijire când efectuați operații de întreținere, service sau înlocuiți accesoriile de tăiere sau alte accesorii.

⚠ AVERTISMENT: Pentru prevenirea rănilor grave, detașați setul de acumulatori de capul de alimentare și așteptați ca toate lamele să se oprească înainte de efectuarea operațiilor de service, de curățarea, înlocuirea atașamentelor sau când produsul nu este utilizat.

⚠ AVERTISMENT: Întotdeauna purtați mănuși rezistente când instalați sau îndepărtați lama ori când efectuați orice operație de întreținere asupra lamei de tăiere. Atenție la lama și protejați-vă mâinile pentru a nu fi rănite de lamă.

ÎNȚREȚINERE GENERALĂ

⚠ AVERTISMENT: Nu permiteți niciodată lichidelor de frână, benzinei, produselor petroliere, uleiurilor penetrante etc. să intre în contact cu piese din plastic. Substanțele chimice pot deteriora, pot slăbi sau pot distruge plasticul, ceea ce se poate solda cu vătămări grave.

⚠ AVERTISMENT: Când curățați motosăpătoarea, NU o scufundați în apă sau în alte lichide. Nu curățați mașina cu aparatul de curățat cu presiune. Jetul puternic de apă riscă să avarieze componentele mașinii.

- Mențineți strânse toate piulițele, bolțurile și șuruburile, pentru a fi siguri că echipamentul este în stare bună de funcționare.
- Pentru a reduce riscul de incendiu, mențineți motorul, toba de eșapament, compartimentul bateriilor curat, fără resturi vegetale și unsoare excesivă.
- Înlocuiți piesele uzate sau defecte în vederea asigurării securității.

ÎNȚREȚINEREA LAMELOR

- Tratați periodic lamele cu ulei antirugină.
- Dacă vreuna din lame trebuie înlocuită datorită uzurii, înlocuiți toate cele patru lame pentru rezultate cât mai bune.

Toate operațiile de întreținere, cu excepția celor înșirate în aceste instrucțiuni de întreținere, trebuie efectuate de personal de service autorizat.

În vederea înlocuirii

Motosăpătoarea are patru lame - două lame interioare și două lame exterioare. Pentru funcționarea corectă a motosăpătoarei, lamele trebuie să fie instalate în direcția corectă. Simbolurile L și R sunt marcate pe lame (Fig. H & I).

Fig. H&I pentru descrierea pieselor consultați tabelul de mai jos:

H-1	Arbore de antrenare	H-7	Știft de blocare
H-2	Manșon interior	I-1	Știft de blocare
H-3	Manșon exterior	I-2	Lamă exterioară Marcată cu "R"
H-4	Simbol L	I-3	Lamă interioară Marcată cu "R"
H-5	Lamă interioară Marcată cu "L"	I-4	Simbol R
H-6	Lamă exterioară Marcată cu "L"		

OBSERVAȚIE: LAMELE CARE AU DINȚII ÎNDREPTAȚI ÎN AMBELE DIRECȚII TREBUIE MONTATE PE INTERIOR, CÂT MAI APROAPE DE CUTIA DE VITEZE .

1. Purtați mănuși.
2. Montați lama interioară, marcată cu "L", care are dinții îndreptați în ambele direcții, în stânga cutiei de viteze.
3. Instalați lama exterioară, marcată cu "L", (dinții sunt îndreptați într-o singură direcție) pe aceeași parte cu manșonul exterior lipit de lama interioară.
4. Pentru a prinde lama de arborele de antrenare, introduceți știftul de prindere în orificiul de blocare-1. Vezi Fig. J, K, L și N pentru ilustrații.
5. Răsturnați scula cu lama instalată sprijinită pe sol.
6. Montați lama interioară, marcată cu "R", care are dinții îndreptați în ambele direcții, în dreapta cutiei de viteze.
7. Instalați lama exterioară, marcată cu "R", (dinții sunt îndreptați numai într-o singură direcție) pe aceeași parte cu manșonul exterior lipit de lama interioară.
8. Pentru a prinde lama de arborele de antrenare, introduceți știftul de prindere în orificiul de blocare-1, după care rotiți știftul de prindere la 90°. Vezi Fig. J, K, L și N pentru ilustrații.

⚠️ AVERTISMENT: Unitatea nu va funcționa corect sau poate fi periculoasă pentru utilizator sau trecători dacă lamele sunt instalate greșit. Dacă remarcați probleme modul de funcționare al motosăpătoarei, verificați dacă lamele sunt poziționate corect.

LAMELE CARE AU DINȚII ÎNDREPTAȚI ÎN AMBELE DIRECȚII TREBUIE INSTALATE PE INTERIOR CÂT MAI APROAPE DE CUTIA DE VITEZE.

Pentru reglare

Când săpați într-un spațiu închis sau între rânduri, motosăpătoarea poate fi utilizată chiar și numai cu lamele interioare instalate.

Purtați mănuși și îndepărtați cele două știfturi de prindere pentru îndepărtarea celor două lame exterioare (Fig. M), după care introduceți știfturile în orificiul de blocare-2 (Fig. N & O).

Fig. N pentru descrierea pieselor consultați tabelul de mai jos:

N-1	Orificiul de blocare-1
N-2	Orificiul de blocare-2

OBSERVAȚIE: Nu forțați lamele pe sau de pe arborele de antrenare. Dacă întâmpinați dificultăți la îndepărtarea lamelor, ungeți arborele cu ulei penetrant. Când repuneți lamele la loc, curățați și ungeți arborele antrenant și lamele.

CURĂȚAREA UNITĂȚII

Unele părți din plante, precum rădăcinile, se pot înfășura strâns în jurul sau între lamele rotative în timpul utilizării. Pentru a curăța lamele rotative:

- Îndepărtați acumulatorul.
- Purtați mănuși. Curățați bucățile de rădăcini, pământ înfundat sau plante de pe lamă, apărătoare sau cutia de viteze. Pentru o curățare aprofundată, îndepărtați lamele și apărătoarea pentru a le putea spăla bine. Pentru pași detaliați privind înlocuirea, vă rugăm consultați capitolul de mai sus.

"ÎNLOCUIREA SAU REGLAREA LAMELOR".

- Ștergeți suprafața sculei cu o cârpă curată, umezită cu o soluție ce conține un detergent slab.

DEPOZITAREA PRODUSULUI

- Detașați setul de acumulatori de pe sculă.
- Detașați motosăpătoarea de capul de alimentare și acoperiți tija accesoriului cu dopul pentru a se evita intrarea murdăriei în racord.
- Depozitați scula într-un loc uscat, bine aerisit, inaccesibil copiilor. Nu depozitați produsul pe sau lângă fertilizanți, benzină sau alte chimicale.

Protejarea mediului înconjurător



Nu eliminați echipamentul electric, încărcătorul de acumulatori și bateriile/acumulatorii împreună cu deșeurile menajere! Conform Directivei europene 2012/19/UE, sculele echipamentele electrice și electronice care nu mai sunt utilizabile, și conform Directivei europene 2006/66/CE, seturile de acumulatori/bateriile defecte sau uzate trebuie colectate separat. Dacă aparatele electrice sunt aruncate la groapa de gunoi sau la haldă, se pot scurge substanțe periculoase în pânza freatică și acestea pot intra în lanțul trofic, afectându-vă sănătatea și bunăstarea.

RO

GHID DE DEPANARE

PROBLEMĂ	CAUZĂ	SOLUȚIE
Motosăpătoarea nu pornește.	<ul style="list-style-type: none"> ■ Setul de acumulatori nu este atașat corect de capul de alimentare. ■ Nu există contact electric între capul de alimentare și setul de acumulatori. ■ Setul de acumulatori este descărcat. ■ Maneta de blocare și trăgaciul nu sunt apăstate simultan 	<ul style="list-style-type: none"> ■ Atașați setul de acumulatori de capul de alimentare. ■ Îndepărtați acumulatorul, verificați contactele și reinstalați setul de acumulatori astfel încât să se anclanșeze în poziție. ■ Încărcați acest set de acumulatori cu încărcătorul EGO menționat în acest manual. ■ Apăsăți maneta de blocare și țineți-o apăsată, după care apăsați trăgaciul declanșator pentru a pune porni unitatea.
Motosăpătoarea se oprește în timpul săpării.	<ul style="list-style-type: none"> ■ Motorul este suprasolicitat. ■ Setul de acumulatori este prea fierbinte. ■ Lama este blocată. ■ Setul de acumulatori este deconectat de la sculă. ■ Setul de acumulatori este descărcat. 	<ul style="list-style-type: none"> ■ Motorul își va reveni după ce sarcina este îndepărtată. Pentru funcționare continuă, descreșteți gradul de solicitare al motosăpătoarei și evitați săparea adâncă; în schimb, efectuați tăieri mai adânci în mod progresiv. ■ Lăsați setul de acumulatori să se răcească până când temperatura scade sub 67°C . ■ Detașați acumulatorul de capul de alimentare, rotiți manual lamele înainte și înapoi pentru a îndepărta pietrele sau alte obstacole situate între lame sau dintre lamă și cuta de viteze. ■ Reinstalați setul de acumulatori. ■ Încărcați acest set de acumulatori cu încărcătorul EGO menționat în acest manual.

RO

GARANȚIA

POLITICA DE GARANȚIE EGO

Vă rugăm consultați website-ul egopowerplus.com pentru termenii și condițiile complete ale politicii de garanție EGO.

PREBERITE VSA NAVODILA!



PREBERITE IN OSVOJITE PRIROČNIK Z NAVODILI

⚠️ Preostalo tveganje! Pred uporabo izdelka se morajo osebe z elektronskimi napravami, kot je srčni spodbujevalnik, posvetovati s svojim zdravnikom. Delovanje električne opreme v bližini srčnega spodbujevalnika lahko povzroči motnje ali okvaro srčnega spodbujevalnika.

⚠️ OPOZORILO: Za zagotovitev varnosti in zanesljivosti mora vsa popravila izvesti usposobljen serviser.

VARNOSTNI SIMBOLI

Namen varnostnih simbolov je, da pritegnejo vašo pozornost na morebitne nevarnosti. Varnostni simboli in njihova pojasnila si zaslužijo vašo pozornost in razumevanje. Opozorilni simboli sami ne odpravljajo nobene nevarnosti. Navodila in opozorila niso nadomestilo za ustrezne ukrepe za preprečevanje nesreč.

⚠️ OPOZORILO: Poskrbite, da boste pred uporabo orodja prebrali in razumeli vsa varnostna navodila v priročniku z navodili za uporabo, vključno z vsemi simboli za varnostna opozorila, kot so »NEVARNOST«, »OPOZORILO«, in »SVARILO«. Neupoštevanje spodaj navedenih navodil se lahko odrazi v električnem udaru, požaru in/ali resnih telesnih poškodbah.

POMEN SIMBOLOV

⚠️ Simbol varnostnega opozorila: Nakazuje **NEVARNOST**, **OPOZORILO** ali **SVARILO**. Uporablja se lahko skupaj z drugimi simboli ali piktogrami.






⚠️ OPOZORILO! Delovanje katerega koli električnega orodja lahko povzroči metanje tujkov v vaše oči, kar lahko povzroči resne poškodbe očesa. Pred začetkom dela z električnim orodjem vedno nosite zaščitna očala ali varnostna očala s stranskimi zaščitami in kadar je treba tudi ščit za celoten obraz. Priporočamo vam uporabo varnostne maske Wide Vision Safety Mask za uporabo preko očal ali standardnih varnostnih očal s stransko zaščito.

VARNOSTNA NAVODILA

Na tej strani so prikazani in opisani varnostni simboli, ki se lahko pojavijo na tem izdelku. Preberite, osvojite in sledite navodilom na stroju preden ga boste poskušali sestaviti in upravljati.

	Varnostno opozorilo	Označuje potencialno nevarnost telesnih poškodb.
	Priročnik z navodili za uporabo morate prebrati in ga razumeti.	Za zmanjšanje nevarnosti poškodb je pomembno, da si uporabnik pred uporabo naprave prebere uporabniški priročnik.
	Nosite zaščito za sluh	Pri upravljanju tega izdelka vedno nosite zaščito za ušesa
	Nosite zaščito za oči	Pri upravljanju tega izdelka vedno nosite zaščitna očala ali varnostna očala s stransko zaščito.
	Nosite zaščitne rokavice	Med dotikanjem rezil zaščitite roke z rokavicami. Robustne in protizdrsne rokavice izboljšajo prijem in zaščitijo vaše dlani.
	Nosite zaščitno obutev	Ko uporabljate to opremo, nosite nedrsko zaščitno obutev.
	Odboj	Izvrženi predmeti se lahko odbijejo in povzročijo telesne poškodbe ali materialno škodo.
	Pazite na stopala	Če želite zmanjšati tveganje za ureznine, držite stopala stran od vrtečih se rezil.
	Prisotni naj bodo varno oddaljeni	Opazovalci naj bodo na varni razdalji od stroja
	CE	Ta izdelek je v skladu z veljavnimi direktivami ES.

SL

	OEE0	Odpadnih električnih izdelkov se ne sme odlagati med gospodinjске odpadke. Odnosite jih k pooblaščenemu izvajalcu postopka recikliranja.
	Hrup	Zajamčena raven zvočnega tlaka.
	Ne izpostavljajte dežju	Naprave ne uporabljajte v dežju ali je puščajte zunaj, ko dežuje.
IPX4	Simbol IP	4. stopnja zaščite pred vdorom vode
V	Volt	Napetost
mm	Millimeter	Dolžina ali velikost
kg	Kilogram	Teža

SPLOŠNA VARNOSTNA OPOZORILA ZA ELEKTRIČNA ORODJA

⚠ OPOZORILO Preberite vsa varnostna opozorila, navodila, slike in tehnične podatke, ki so priloženi temu električnemu orodju. Zaradi neupoštevanja spodaj navedenih navodil lahko pride do električnega udara, požara in/ali hudih telesnih poškodb.

Shranite vsa opozorila in navodila za bodočo referenco.

VARNOST DELOVNEGA OBMOČJA

- Delovno območje naj bo čisto in dobro osvetljeno. V neurejenih in temnih območjih se rade zgodijo nesreče.
- Električnega orodja ne upravljajte v eksplozivnih atmosferah, kot je ob prisotnosti vnetljivih tekočin, plinov ali prahu. Električno orodje ustvarja iskre, ki lahko povzročijo vžig prahu ali hlapov.
- Med uporabo električnega orodja in bližino ne pustite otrok in drugih ljudi. Zaradi motenj pozornosti lahko izgubite nadzor.

ELEKTRIČNA VARNOST

- Električnih orodij ne izpostavljajte dežju ali vlažnim pogojem. Voda v električnem orodju znatno poveča tveganje električnega udara.

OSEBNA VARNOST

- Med uporabo električnega orodja bodite pozorni, spremljajte potek dela in uporabljajte zdrav razum. Električnega orodja ne uporabljajte, če ste utrujeni ali pod vplivom drog, alkohola ali zdravil. Trenutek nepazljivosti med uporabo električnega orodja lahko privede do resnih telesnih poškodb.
- Uporabljajte osebno zaščitno opremo. Osebna zaščitna oprema, kot so zaščita za oči, maska proti prahu, obutev z nedersečim podplatom, trdno pokrivalo glave in/ali zaščita za sluh, uporabljena za ustrezne pogoje dela, zmanjšuje možnost telesnih poškodb.
- Preprečite neželen zagon. Pred priklopom baterijskega sklopa, dvigovanjem ali nošenjem orodja se prepričajte, da je stikalo v položaju za izklop. Prenašanje električnih orodij s prstom na stikalo ali dovajanje napajanja električnim orodjem, pri katerih je stikalo v položaju za vklop, poveča tveganje nesreč.
- Pred vklopom električnega orodja odstranite morebitne prilagojevalne ključe ali izvijače. Izvijač ali ključ, ki je pritrjen na premični del električnega orodja, lahko povzroči telesne poškodbe.
- Ne segajte preko dosega. Pazite, da stojite stabilno in da ohranjate ravnotežje. To omogoča boljši nadzor nad električnim orodjem v nepričakovanih situacijah.
- Bodite primerno oblečeni. Ne nosite ohlapnih oblačil ali nakita. Pazite, da lasje in oblačila ne pridejo v bližino gibljivih delov. Ohlapna oblačila, nakit ali dolgi lasje se lahko zapletejo v gibljive dele.
- Če imate na voljo naprave za sesanje in zbiranje prahu, preverite, ali so priključene in ali se ustrezno uporabljajo. Uporaba naprav za zbiranje prahu lahko zmanjša nevarnosti, povezane s prahom.
- Čeprav dobro poznate orodje zaradi pogoste uporabe, ne postanite samozadovoljni in ne ignorirajte varnostnih načel orodja. Nepazljivost pri uporabi lahko povzroči hude telesne poškodbe v delcu sekunde.

UPORABA IN NEGA ELEKTRIČNEGA ORODJA

- Električnega orodja ne preobremenjujte. Uporabite električno orodje, ki ustreza vašemu delu. Ustrezno električno orodje bo nalogo opravilo bolje in varneje pri zmogljivosti, za katero je bilo zasnovano.
- Ne uporabljajte električnega orodja, če ga stikalo ne vklopi ali izklopi. Kakršno koli električno orodje, ki ga ni mogoče nadzirati s stikalom, je nevarno in ga je potrebno popraviti.

- **Pred odstranjenjem zagozdenega materiala, kakršnim koli nastavljanjem, zamenjavo dodatkov, čiščenjem ali shranjevanjem električnih orodij odstranite akumulator, če ga je mogoče odstraniti, iz električnega orodja in/ali aktivirajte morebitno napravo za onemogočanje akumulatorja.** Tovrstni preventivni varnostni ukrepi zmanjšujejo tveganje nenamernega zagona električnega orodja.
- **Električna orodja, ki niso v uporabi, shranjujte izven dosega otrok in ne dovolite, da bi električno orodje uporabljale osebe, ki niso seznanjene z električnim orodjem ali s temi navodili.** Električna orodja so v rokah neusposobljenih uporabnikov nevarna.
- **Električna orodja in dodatke redno vzdržujte.** Preverite morebitno neoparavnost ali povezavo premikajočih se delov, zlome delov ali morebitno drugačno stanje, ki bi lahko vplivalo na delovanje električnega orodja. Če je električno orodje poškodovano, ga pred ponovno uporabo dajte v popravilo. Do veliko nesreč pride zaradi slabo vzdrževanih električnih orodij in dodatkov.
- **Rezalna orodja naj bodo vedno nabrušena in čista.** Pravilno vzdrževana rezalna orodja z ostrimi rezili se težje zaskočijo in jih je lažje nadzirati.
- **Električno orodje, dodatke in dele orodja itd. uporabljajte v skladu s temi navodili, pri tem pa upoštevajte delovne pogoje in delo, ki ga boste opravljali.** Če boste električno orodje uporabljali za neustrezne namene, lahko pride do nevarnih situacij.
- **Ročaji in prijemne površine naj bodo suhe, čiste in brez madežev olja ali masti.** Drseči ročaji in prijemne površine lahko povzročijo nevarno uporabo in/ali izgubo nadzora nad orodjem.
- **Kabli ne smejo biti v delovnem območju orodja.** Kablov morda med delom ne boste opazili, zato jih lahko nehote poškodujete z orodjem.

UPORABA IN VZDRŽEVANJE BATERIJSKEGA ORODJA

- **Baterijo polnite le s polnilnikom, ki ga določa proizvajalec.** Polnilnik, ki ustreza eni vrsti baterij, morda lahko povzroči požar, če z njim polnite drugo vrsto baterij.
- **Baterijska orodja uporabljajte samo s predpisano vrsto baterijskih sklopov.** Uporaba katerih koli drugih baterijskih sklopov lahko ustvari tveganje poškodb in požara.
- **Ko baterijski sklop ni v uporabi, ga hranite ločeno od kovinskih predmetov, kot so sponke za papir, kovanci, ključi, žebli, vijaki ali drugi majhni kovinski predmeti, ki lahko povzročijo stik med enim in drugim terminalom.** Kratak stik med terminali baterije lahko povzroči opekline ali požar.
- **Ob zlorabi baterije lahko iz nje steče tekočina. Če se naključno dotaknete tekočine, mesto dotika sperite z vodo. Če pride tekočina v stik z očmi, poiščite zdravstveno pomoč.** Tekočina, ki izteče iz baterije, lahko povzroči draženje ali opekline.
- **Baterijskega sklopa ali orodja, ki je poškodovano ali spremenjeno, ne uporabljajte.** Poškodovane ali spremenjene baterije se lahko nepredvidljivo vedejo, kar lahko povzroči požar, eksplozijo ali tveganje telesnih poškodb.
- **Baterijskega sklopa ali orodja ne izpostavljajte ognju ali previsokim temperaturam.** Izpostavljenost ognju ali temperaturam nad 130 °C lahko povzroči eksplozijo.
- **Upoštevajte vsa navodila za polnjenje in baterijskega sklopa ali orodja ne polnite izven temperaturnega razpona, navedenega v navodilih.** Nepravilno polnjenje ali temperature izven navedenega razpona lahko poškodujejo baterijo in povečajo tveganje požara.

DRUGA VARNOSTNA OPOZORILA

USPOSABLJANJE

- Pozorno preberite navodila. Seznanite se s kontrolami in pravilno uporabo naprave.
- Nikoli ne dovolite, da napravo uporabljajo osebe, ki niso seznanjene s temi navodili, ali otroci. Lokalni predpisi morda omejujejo starost upravljalca.
- Nikoli ne delajte, če so v bližini ljudje, zlasti otroci, ali domače živali.
- Ne pozabite, da je upravljaevc ali uporabnik orodja odgovoren za nevarnosti ali tveganja za druge ljudi in lastnino, do katerih lahko pride.

PRIPRAVA

- Med delom vedno nosite ustrezno obutev in dolge hlače. Električnega orodja ne upravljajte bosi ali v odprtih sandalih.
- Površino, na kateri boste uporabljali opremo, temeljito pregledjte in odstranite vse predmete, ki bi jih lahko naprava vrgla v zrak.

SL

- Pred uporabo orodje vedno preglejte in se prepričajte, da ni obrabljeno ali poškodovano. Obrabljene ali poškodovane elemente in vijake zamenjajte hkrati, da ohranite uravnoteženost naprave.

DELOVANJE

- Orodja ne uporabljajte v zaprtem prostoru, kjer lahko nastaja ogljikov monoksid.
- Delajte le podnevi ali ob dobri umetni svetlobi.
- Pri uporabi na pobočjih vedno pazite na ravnotežje.
- S strojem le hodite in nikoli ne tecite.
- Rotacijske naprave vedno uporabljajte poševno glede na pobočje, nikoli navzgor in navzdol.
- Pri menjavanju smeri na pobočjih bodite izredno previdni.
- Ne delajte na preveč strmih pobočjih.
- Pri vzvratnem premikanju ali ob potegu naprave proti sebi bodite izjemno previdni.
- Ne spreminjajte nastavitev krmilnika motorja ali prekoračite hitrosti motorja.
- Previdno zaženite motor v skladu z navodili proizvajalca in držite stopala stran od orodja.
- Roke in stopala držite stran od vrtečih se delov.
- Medtem ko motor deluje, naprave ne dvigujte in ne nosite.
- Napravo uporabljajte le z akumulatorskimi baterijami in polnilniki, navedenimi v sliki A.

SL

DELOVANJE NA POBOČJU

Pobočja predstavljajo velik faktor pri nastanku nesreč zaradi zdrsa in padca, ki lahko vodijo v resne telesne poškodbe. Pri uporabi na pobočjih vedno pazite na ravnotežje. Uporaba na pobočjih zahteva dodatno previdnost. Če na pobočju niste sproščeni, tam ne delajte. Pazite na luknje, skale, skrite predmete ali izbokline, zaradi katerih lahko zdrsnete ali se obnje spotaknete. Visoka trava lahko skriva ovire.

SERVIS

- **Električno orodje naj servisira kvalificirano servisno osebje, ki uporablja le enake nadomestne dele.** To bo zagotovilo ohranjanje varnosti električnega orodja.
- **Nikoli ne popravljajte poškodovanih baterijskih sklopov.** Baterijske sklope lahko popravi le proizvajalec ali pooblaščen izvajalec storitev.

⚠ OPOZORILO: Preberite vsa varnostna opozorila, navodila, slike in tehnične podatke, ki so priloženi temu električnemu orodju. Zaradi neupoštevanja spodaj navedenih navodil lahko pride do električnega udara, požara in/ali hudih telesnih poškodb. Vsa opozorila in navodila shranite za kasnejšo uporabo.

TA NAVODILA SHRANITE

TEHNIČNI PODATKI

Širina oranja	240 mm	
Globina oranja	215 mm	
Velikost rezila	215 mm	
Delovna temperatura	0°C-40°C	
Temperatura za shranjevanje	-20°C-70°C	
Teža (vključno z zaščito)	3,9 kg	
Izmerjena raven zvočne moči L_{WA}	87,6 dB(A) K=2,02 dB(A)	
Raven zvočnega tlaka pri ušesu upravljavca L_{PA}	77,0 dB(A) K=3 dB(A)	
Zajamčena raven zvočnega tlaka L_{WA} (izmerjeno v skladu z direktivo 2000/14/ES)	90 dB(A)	
Vrednotenje oddajanja vibracij a_v :	Srednji ročaj	0,94 m/s ² K= 1,5 m/s ²
	Zadnji ročaj	1,24 m/s ² K= 1,5 m/s ²

- Zgornji parametri so preskušeni in izmerjeni z nameščeno pogonsko enoto PH1400E.
- Navedena skupna količina vibracij je bila izmerjena v skladu s standardnimi metodami in se lahko uporablja za primerjavo različnih orodij.
- Navedeno skupno količino vibracij se lahko uporablja v predhodni oceni izpostavljenosti.

OPOMBA: Emisije vibracij se lahko med dejansko uporabo električnega orodja razlikujejo od deklarirane vrednosti, pri kateri se orodje uporablja. Z namenom zaščite upravljavca mora uporabnik v dejanskih pogojih uporabe nositi rokavice in zaščito za ušesa.

SEZNAM PAKIRANJA

IME DELA	KOLIČINA
Priključek motokultivatorja	1
Zaščita (z vijakom)	1
Imbus ključ	1
Priročnik z navodili za uporabo	1

OPIS

SPNOZNAJTE SVOJ MOTOKULTIVATOR (slika A)

1. POKROVČEK
2. Priključna gred motokultivatorja
3. Ohišje zobnikov
4. Puša
5. Zunanja rezila
6. Notranja rezila
7. Varnostni zatič
8. Zaščita
9. Imbus ključ

SESTAVA

⚠ OPOZORILO: Če so deli poškodovani ali manjkajo, izdelka ne uporabljajte, dokler deli niso zamenjani. Če ta izdelek uporabljate s poškodovanimi ali manjkajočimi deli, se lahko resno poškodujete.

⚠ OPOZORILO: Tega izdelka ne spreminjajte in ne izdelujte dodatkov, ki niso priporočeni za uporabo s tem izdelkom. Vsako tako spreminjanje je zloraba in lahko privede do tveganj, ta pa do hudih telesnih poškodb.

⚠ OPOZORILO: Pri nameščanju ali odstranjevanju rezila ali pri izvajanju kakršnih koli vzdrževalnih del na rezilu vedno uporabljajte zaščitne rokavice. Pazite na rezilo in zaščitite dlani, da se ne poškodujete.

⚠ OPOZORILO: Motokultivatorja ne priključite na pogonsko enoto do zaključka montaže. V nasprotnem primeru se lahko izdelek nenamerno vklopi in povzroči hude telesne poškodbe.

NAMEŠČANJE ZAŠČITE

⚠ OPOZORILO: Namestite zaščito, še preden priključite motokultivator na pogonsko enoto.

- 1. Z imbus ključem sprostite in odstranite vijak z zaščite (slika B).
- 2. Dvignite drog priključne gredi motokultivatorja in odstranite pokrovček z droga.
- 3. Poravnajte režo v zaščiti s kovinskim jezičkom na eni strani droga, potisnite zaščito skozi drog, dokler niso luknje vijakov v zaščiti in v kovinskem jezičku poravnane (sliki C in D).
- 4. Z imbus ključem zategnite vijak v smeri vrtenja urinih kazalcev, da trdno pritrдите zaščito.

Slika D: za opis delov glejte spodaj:

D-1	Vijak
-----	-------

PRIKLJUČITEV MOTOKULTIVATORJA NA POGONSKO ENOTO

⚠ OPOZORILO: Nikoli ne priključujte ali prilagajajte priključkov, če pogonska enota deluje oz. je baterija nameščena. Če ne zaustavite motorja in odstranite baterije, lahko pride do hudih telesnih poškodb.

Ta priključek za motokultivator je zasnovan za uporabo s pogonsko enoto EGO PH1400E.

1. Ustavite motor in odstranite baterijski sklop.
2. Odvijte krilni vijak na spojniku pogonske enote.
3. Če je na priključni gredi pokrovček, ga odstranite in shranite na varno za poznejšo uporabo.

Poravnajte puščico na gredi motokultivatorja s puščico na spojniku (slika E) in potiskajte gred motokultivatorja v spojnik, dokler ne zaslišite jasnega »klika« (slika F).

Slika E: za opis delov glejte spodaj:

E-1	Gumb za sprostitev gredi
E-2	Puščica na spojniku
E-3	Krilni vijak
E-4	Puščica na priključni gredi
E-5	Rdeča črta

Slika F: za opis delov glejte spodaj:

F-1	Rdeča črta
-----	------------

SL

4. Rahlo povlecite priključno gred motokultivatorja, da se prepričate, ali je trdno nameščena v spojniku. Če temu ni tako, zavrtite gred motokultivatorja naprej in nazaj v spojniku, dokler ne zaslišite »klika«, ki pomeni, da je gred nameščena.
5. Trdno privijte krilni vijak.

⚠ OPOZORILO: Pred uporabo opreme preverite, ali je krilni vijak na spojniku povsem privit. Med uporabo opreme redno preverjajte, ali je vijak dovolj privit, da preprečite hude telesne poškodbe.

ODSTRANJEVANJE PRIKLJUČKA S POGONSKO ENOTE

1. Ustavite motor in odstranite baterijski sklop.
2. Odvijte krilni vijak.
3. Ko je gumb za sprostitvev gredi sproščen, povlecite ali zavrtite priključno gred motokultivatorja iz spojnika, da ga odklopite s pogonske enote.

DELOVANJE

⚠ OPOZORILO: Četudi se dodobra seznanite s tem izdelkom, pri rokovanju z njim ne postanite neprevidni. Pomnite, da je brezskrbni delec sekunde dovolj za resno poškodbo.

⚠ OPOZORILO: Vedno nosite zaščito za oči in ušesa. Če tega ne storite, vam lahko v oči priletijo predmeti ali pride do drugih hudih poškodb.

⚠ OPOZORILO: ne uporabljate priključkov ali dodatkov, ki jih proizvajalec tega izdelka ne priporoča. Uporaba priključkov ali dodatkov, ki niso priporočeni, lahko privede do hudih telesnih poškodb.

NAMENI UPORABE

Ta izdelek lahko uporabljate za naslednje namene:

- Razbijanje zemlje na vrtu za pripravo gred za sajenje.
- Plitko obdelovanje za izruvanje korenin plevla ali rahljanje zemlje okoli rastlin zaradi boljše prodiranja zraka ali vode globoko v zemljo.
- Površinska priprava zemlje s kompostom, listi ali drugimi organskimi gnojili. S površinsko obdelavo zrahljate zgornjo skorjo zemlje in omogočite boljše prodiranje dodatnih hranilnih sredstev.
- Prekopavanja ali oranje zrahljane zemlje.

OPOMBA: Če želite preprečiti poškodbe na motokultivatorju ali drevesih, pazite, da se rezila ne zataknejo na velikih koreninah dreves. Izogibajte se preglobokemu obdelovanju, saj lahko s tem poškodujete površinske korenine nekaterih rastlin.

UPORABLJANJE MOTOKULTIVATORJA S POGONSKO ENOTO

⚠ OPOZORILO: za upravljanje tega orodja se primerno oblecite, da zmanjšate nevarnost poškodb. Ne nosite ohlapnih oblačil ali nakita. Uporabljajte zaščito za oči. Nosite zaščitne čevlje. Nosite robustne dolge hlače, škornje in rokavice. Ne nosite kratkih hlač, sandal in ne bodite bosi. Motokultivator držite z eno roko na zadnjem ročaju in drugo roko na sprednjem ročaju. Med upravljanjem motokultivator trdno držite z obema rokama. Motokultivator držite v udobnem položaju z zadnjim ročajem približno v višini bokov.

Ves čas pazite na trden oprijem in da stabilno stojite na obeh nogah (slika G).

Med hojo lahko motokultivator premikate naprej in nazaj, z leve proti desni, desne proti levi ali v krogu. Izberite najboljši način glede na vaš namen, ki je odvisen od oblike in velikosti območja ter stanja zemlje.

Izmenično premikanje naprej in nazaj je še posebej primerno za rahljanje zbite zemlje.

Med prekopavanje in oranjem hodite počasi nazaj in vlecite motokultivator, da ustvarite brazdo. Ponavljajte po potrebi, da dobite globlje brazde.

OPOMBA: Če boste povlekli motokultivator previdno proti sebi, medtem ko ta koplje po zemlji, bosta lažje orali.

Izvršeni deli lahko resno poškodujejo upravljavca ali mimoidoče. Za zmanjšanje tveganja za telesne poškodbe je pomembno, da upoštevate naslednje previdnostne ukrepe:

- Preglejte in odstranite z območja vse morebitne skrite predmete, kot so steklo, kamni, beton, žice ograje, kovinski delci itd., ki se lahko zapletejo ali udarijo ob rezila. Preprečite stik s trdimi ali kompaktnimi tujimi predmeti.
- Redno in pogosto pregledujte, ali so rezila poškodovana in v kakšnem stanju so po udarcu s trdim predmetom. Poškodovanega rezila ne uporabljajte.
- Med uporabo držite motokultivator vedno z obema rokama. Trdno ga držite na obeh ročajih.

- Preden zaženete motokultivator, ga premaknite na delovno območje in začnite delati z nizko hitrostjo.

Pred vsako uporabo preglejte, ali je naprava morda poškodovana in/ali so njeni deli obrabljeni. Preglejte rezila, zaščitno in sprednji ročaj ter zamenjajte dele, ki so razpokani, zvitji, upognjeni ali kakor koli poškodovani.

Po vsaki uporabi očistite motokultivator.

ZAGON/ZAUSTAVITEV ORODJA

Glejte razdelek »ZAGON/ZAUSTAVITEV POGONSKE ENOTE« v priročniku z navodili za uporabo pogonske enote PH1400E.

VZDRŽEVANJE

⚠ OPOZORILO: Za servisiranje uporabljajte samo enake nadomestne dele. Uporaba drugih delov je tvegana in lahko poškoduje izdelek. Za zagotovitev varnosti in zanesljivosti mora vsa popravila izvesti usposobljen serviser.

⚠ OPOZORILO: Baterijskih orodij ni treba priklopiti v električno vtičnico, zato so vedno v stanju delovanja. Da preprečite resno telesno poškodbo, bodite izjemno previdni pri vzdrževanju, servisiranju ali zamenjavi priključka za košnjo oziroma drugih priključkov.

⚠ OPOZORILO: Če želite preprečiti hude telesne poškodbe, odstranite baterijski sklop iz pogonske enote in počakajte, da se vsa rezila ustavijo, preden orodje očistite, servisirate ali zamenjate priključke ali ko naprave ne uporabljate.

⚠ OPOZORILO: Med namestitvijo in odstranjevanjem rezila oziroma med vzdrževanjem rezila vedno nosite robustne rokavice. Pazite na rezilo in zaščitite dlani, da se ne poškodujete.

SPLOŠNO VZDRŽEVANJE

⚠ OPOZORILO: Nikoli naj zavoma tekočina, gorivo, izdelki na osnovi naftnih derivatov, prodirajoče olje ne pridejo v stik s plastičnimi deli. Kemikalije lahko plastiko poškodujejo, oslabijo ali uničijo, kar lahko privede do hudih osebnih poškodb.

⚠ OPOZORILO: Pri čiščenju motokultivatorja tega NE potopite v vodo ali druge tekočine. Stroja ne čistite z visokotlačnim čistilnikom. Trden vodni curek lahko poškoduje dele stroja.

- Vse matice in vijaki naj bodo trdno priviti, da boste zagotovili varno delovno stanje opreme.

- Nevarnost za požar zmanjšajte tako, da z motorja, dušilca zvoka in iz prostora za baterijo redno odstranjujete vse rastline in odvečno mast.
- Obrabljene ali poškodovane dele zaradi varnosti redno menjajte.

VZDRŽEVANJE REZILA

- Rezila redno vzdržujte z oljem proti rjavenju.
- Če morate zaradi obrabe zamenjati katero koli rezilo, zamenjajte vsa štiri rezila, da zagotovite najboljše delovanje.
- Vsa servisna dela na motokultivatorju, razen tistih, ki so navedena v navodilih za vzdrževanje, mora izvesti usposobljen serviser.

Za zamenjavo

Motokultivator ima štiri rezila – dve notranji in dve zunanji rezili. Za pravilno delovanje motokultivatorja morajo biti rezila nameščena tako, da so pravilno usmerjena. Na rezilih sta odtisnjena simbola L (levo) in R (desno) (sliki H in I).

Sliki H in I: za opis delov glejte spodaj:

H-1	Pogonska gred	H-7	Varnostni zatič
H-2	Notranja objemka	I-1	Varnostni zatič
H-3	Zunanja objemka	I-2	Odtisnjena črka »R« na zunanjem rezilu
H-4	Simbol L	I-3	Odtisnjena črka »R« na notranjem rezilu
H-5	Odtisnjena črka »L« na notranjem rezilu	I-4	Simbol R
H-6	Odtisnjena črka »L« na zunanjem rezilu		

SL

OPOMBA: REZILA Z ZOBMI, KI SO USMERJENA V OBE SMERI, MORAJO BITI NAMEŠČENA NA NOTRANJO STRANI, ČIM BLIŽJE OHIŠJU ZOBNIKOV

1. Nosite rokavice.
2. Namestite notranje rezilo z oznako »L« z zobmi, usmerjenimi v obe smeri, na levo stran ohišja zobnikov.
3. Namestite zunanje rezilo z oznako »L« (zobje so usmerjeni le v eno smer) na isto stran. Zunanja objemka mora biti obrnjena proti notranjemu rezilu.

- varnostni zatič v odprtino za zaklep – 1. Glejte slike J, K, L in N.
- Obrnite orodje, tako da nameščeno rezilo dotika tal.
- Namestite notranje rezilo z oznako »R«, na katerem so zobje usmerjeni v obe smeri, na desno stran ohišja zobnikov.
- Namestite zunanje rezilo z oznako »R« (zobje so usmerjeni le v eno smer) na isto stran. Zunanja objemka mora biti obrnjena proti notranjemu rezilu.
- Rezilo pritrdite na pogonsko gred tako, da vstavite varnostni zatič v odprtino za zaklep – 1, nato pa zavrtite varnostni zatič za 90°. Glejte slike J, K, L in N.

⚠ OPOZORILO: Če rezila niso nameščena pravilno, enota ne bo delovala ustrezno oziroma lahko ogrozi upravljalca ali opazovalce. Če opazite težave s pogonsko enoto motokultivatorja, preverite nameštitev rezila.

REZILA Z ZOBİ, USMERJENIMI V OBE SMERI, MORAJO BITI NAMEŠČENA NA NOTRANJI STRANI, ČIM BLIŽJE OHIŠJU ZOBNIKOV.

Nastavitev

Pri oranju na omejenem območju ali med vrstami lahko uporabite motokultivator samo z nameščenimi notranjimi rezili.

Natakните si rokavice in odstranite dva varnostna zatiča, da odstranite dve zunanji rezili (slika M), nato pa vstavite varnostni zatič v odprtino za zaklep – 2 (sliki N in O)

SL

Slika N: za opis delov glejte spodaj:

N-1	Odprtina za zaklep – 1
N-2	Odprtina za zaklep – 2

OPOMBA: Rezil ne potiskajte in odstranjujte s pogonske gredi na silo. Če imate težave pri odstranjevanju rezil, nanesite na gred nekaj kapljic olja. Pri prvotnem nameščanju rezil očistite gred, nato pa na pogonsko gred in rezila nanesite nekaj kapljic olja.

ČIŠČENJE ENOTE

Deli rastline, npr. korenine, se lahko med delom tesno zapletejo okoli rezil ali med vrteča se rezila. Vrteča se rezila odstranite tako:

- Odstranite baterijo.

- Nosite rokavice. Z rezila, zaščite ali ohišja zobnikov očistite koščke korenin, grude zemlje ali rastline. Za temeljito čiščenje odstranite rezila in zaščito ter jih temeljito operite. Podrobnejši postopek za zamenjavo je opisan v zgornjem poglavju

»ZAMENJAVA ALI NASTAVITEV REZIL«.

- Površino orodja obrišite s čisto in vlažno krpo ter blago milnico.

SHRANJEVANJE ENOTE

- Odstranite baterijski sklop z orodja.
- Odklopite motokultivator s pogonske enote in na priključno gred natakните pokrovček, da v objemko ne zaide umazanija.
- Orodje shranite v suhem in dobro zračenem prostoru, da ne bo na dosegu otrok. Enote ne shranjujte na ali v bližini gnojil, bencina ali drugih kemikalij.

Varovanje okolja



Električne opreme, polnilnika baterij in baterij/baterij, ki jih je mogoče polniti, ne odvrzite med gospodinjske odpadke! V skladu z evropskim zakonom 2012/19/EU glede električne in elektronske opreme, ki ni več uporabna, in v skladu z evropskim zakonom 2006/66/EC glede pokvarjenih ali izrabljenih baterijskih sklopov/baterij, je treba baterije zbrati ločeno. Če električne naprave odvržete na smetišča, lahko nevarne snovi pronicajo v podtalnico in tako pridejo v prehranjevalno verigo, s čimer ogrozijo vaše zdravje in dobro počutje.

ODPRAVLJANJE TEŽAV

TEŽAVA	VZROK	REŠITEV
Motokultivator se ne zažene.	<ul style="list-style-type: none"> ■ Baterijski sklop ni pravilno nameščen na pogonsko enoto. ■ Med pogonsko enoto in baterijskim sklopom ni električnega stika. ■ Baterijski sklop je izpraznjen. ■ Vzvod za odklepanje in sprožilec nista sočasno sproščena. 	<ul style="list-style-type: none"> ■ Baterijski sklop namestite na pogonsko enoto. ■ Odstranite baterijo, preverite kontakte in ponovno namestite baterijski sklop, tako da se zaskoči na svoje mesto. ■ Baterijske sklope polnite s polnilniki EGO, ki so navedeni v tem priročniku. ■ Pritisnite vzvod za odklepanje in ga pridržite, nato pritisnite sprožilec, da vključite orodje.
Motokultivator se med oranjem ustavi.	<ul style="list-style-type: none"> ■ Motor je preobremenjen. ■ Baterijski sklop je prevroč. ■ Rezila so zagozdena. ■ Baterijski sklop je odklopljen iz orodja. ■ Baterija je skoraj prazna. 	<ul style="list-style-type: none"> ■ Motor bo zopet deloval, ko boste odpravili obremenitev. Za neprekinjeno delo zmanjšajte obremenitev motokultivatorja in se izogibajte preglobokemu oranju; namesto tega delajte globlje reze postopoma. ■ Počakajte, da se baterijski sklop ali pogonska enota ohladi do temperature pod 67 °C. ■ Odstranite baterijo s pogonske enote, ročno zavrtite rezila nazaj in naprej, da odstranite kamne ali druge predmete med rezili ali med rezilom in ohišjem zobnikov. ■ Ponovno namestite baterijski sklop. ■ Baterijske sklope polnite s polnilniki EGO, ki so navedeni v tem priročniku.

SL

GARANCIJA

GARANCIJSKA POLITIKA DRUŽBE EGO

Za popolne pogoje garancijske politike družbe EGO obiščite spletno stran egopowerplus.com.

PERSKAITYKITE VISĄ INSTRUKCIJĄ!



PERSKAITYKITE OPERATORIAUS VADOVĄ IR ĮSITIKINKITE, KAD JI SUPRATOTE

⚠ Liekamoji rizika! Žmonės, kuriems implantuoti elektroniniai prietaisai, pvz., širdies stimulatoriai, prieš pradėdami naudoti šį gaminį turėtų pasikonsultuoti su savo gydytoju (-ais). Šalia širdies stimulatoriaus veikianti elektros įranga gali sukelti širdies stimulatoriaus veikimo trukdžius arba gedimą.

⚠ ĮSPĖJIMAS: Norint užtikrinti saugų ir patikimą gaminio naudojimą, visus remonto ir keitimo darbus turi atlikti kvalifikuotas techninės priežiūros specialistas.

SAUGOS SIMBOLIAI

Šių simbolių paskirtis – atkreipti dėmesį į galimus pavojus. Gerai susipažinkite su saugos simboliais bei jų paaiškinimais ir juos išidėmėkite. Simbolių įspėjimai patys savaime negali apsaugoti nuo pavojų. Jais žymimi nurodymai ir įspėjimai neatstoja tinkamų nelaimingų atsitikimų prevencijos priemonių.

⚠ ĮSPĖJIMAS: Prieš pradėdami naudoti šį gaminį perskaitykite visus šioje naudojimo instrukcijoje pateiktus saugos nurodymus, taip pat susipažinkite su visais saugos įspėjimaisiais simboliais, tokiais kaip „**PAVOJUS**“, „**ĮSPĖJIMAS**“, ir „**PERSPĖJIMAS**“, ir įsitikinkite, kad juos supratote. Nesilaikant visų toliau išdėstytų nurodymų galima patirti elektros smūgį, sukelti gaisrą ir (arba) sunkiai susižeisti.

LT

SIMBOLIO REIKŠMĖ

⚠ SAUGOS ĮSPĖJAMASIS SIMBOLIS: nurodo **PAVOJŲ**, **ĮSPĖJIMĄ** arba **ĮSPĖJIMĄ (DĖMESIO)**. Gali būti naudojamas su kitais simboliais arba piktogramomis.



⚠ ĮSPĖJIMAS! Naudojant bet kokius elektrinius įrankius, į orą gali būti išsviesti ir sunkiai sužaloti akis svetimkūniai. Prieš pradėdami naudoti elektrinį įrankį, visada užsidėkite apsauginius akinius arba apsauginius akinius su šonine apsauga ir, kai reikia, visą veidą dengiantį skydelį. Rekomenduojame naudoti platų matymo lauką užtikrinančią apsauginę kaukę ant akinių arba standartinius apsauginius akinius su šonine apsauga.

SAUGOS NURODYMAI

Šiame puslapyje pavaizduoti ir aprašyti saugos simboliai, kurių gali būti ant šio gaminio. Prieš pradėdami surinkti ir naudoti prietaisą, perskaitykite visus ant jo pateiktus nurodymus, įsitikinkite, kad juos supratote, ir jais vadovaukitės.

	Saugos įspėjimas	Nurodo galimą sužalojimo pavojų.
	Perskaitykite operatoriaus vadovą ir įsitikinkite, kad jį supratote	Kad sumažintų pavojų susižaloti, naudotojas turi perskaityti naudojimo instrukciją ir įsitikinti, kad ją suprato.
	Dėvėkite klausos apsaugos priemones	Visada dėvėkite apsaugines ausines, kai dirbate su šiuo gaminiumi.
	Dėvėkite akių apsaugos priemones	Visada užsidėkite apsauginius akinius arba apsauginius akinius su šonine apsauga, kai dirbate su šiuo gaminiumi.
	Mūvėkite apsaugines pirštines	Tvarkydami peilius mūvėkite apsaugines pirštines. Su tvirtomis neslidžiomis pirštinėmis galima geriau suimti ir apsaugoti rankas.
	Mūvėkite apsauginę avalynę	Naudodami šią įrangą mūvėkite neslidžią avalynę.
	Rikošetas	Į orą išsviestos šiukšlės gali atšokti rikošetu ir sužaloti ar sugadinti turtą.
	Nekiškite artyn kojų	Kad sumažėtų pjautinių traumų pavojus, neikiškite kojų prie sukamųjų peilių.
	Neleiskite prisitarti pašaliniais asmenims	Pasirūpinkite, kad pašaliniai asmenys būtų nutolę saugiu atstumu
	CE	Šis gaminys atitinka taikomas EB direktyvas.

	WEEE	Elektros prietaisų atliekas draudžiama utilizuoti kartu su buitinėmis atliekomis. Perduoti įgaliotam perdirbėjui.
	Triukšmas	Garantuotas garso galios lygis.
	Nenaudokite lyjant lietui	Nedirbkite su žoliapjove lyjant lietui, taip pat nepalikite lauke, kai lyja.
IPX4	IP simbolis	4 klasės apsauga nuo vandens patekimo.
V	Voltas	Įtampa
mm	Milimetras	Ilgis arba dydis
kg	Kilogramas	Svoris

BENDRIEJI ELEKTRINIO ĮRANKIO SAUGOS NURODYMAI

⚠️ ĮSPĖJIMAS: perskaitykite ir peržiūrėkite visus su šiuo elektriniu įrankiu pateiktus saugos nurodymus, instrukcijas, paveikslus ir specifikacijas. Nesilaikant visų toliau išdėstytų nurodymų galima patirti elektros smūgį, sukelti gaisrą ir (ar) sunkiai susižaloti.

Išsaugokite visus įspėjimus ir nurodymus, kad prirėkus galėtumėte pasižiūrėti.

DARBO VIETOS SAUGA

- Darbo vieta turi būti švari ir gerai apšviesta. Jei darbo vieta netvarkinga ar blogai apšviesta, gali įvykti nelaimingas atsitikimas.
- **Nedirbkite su elektriniais įrankiais sprogoje aplinkoje, pavyzdžiui, ten, kur yra degių skysčių, dujų arba dulkių.** Elektriniai įrankiai gali kibirkščiuoti, o nuo kibirkščių gali užsidegti dulkės arba garai.
- Dirbdami su elektriniu įrankiu, **liepkite vaikams ir pašaliniesiems asmenims būti atokiau.** Dėl dėmesio blaškymo galite nesuvaldyti įrankio.

ELEKTROS SAUGA

- **Saugokite elektrinius įrankius nuo lietaus ir drėgmės.** Į elektrinio įrankio vidų patekus vandens padidėja elektros smūgio pavojus.

ASMENINĖ SAUGA

- **Dirbdami su elektriniu įrankiu, būkite budrūs, stebėkite, ką darote, ir vadovaukitės sveika nuovoka.** **Nedirbkite su elektriniu įrankiu, jei esate pavargę, apsvaigę nuo narkotinių medžiagų, alkoholio arba vaistų.** Neatidumo akimirka dirbant su elektriniu įrankiu gali lemti sunkią traumą.
- **Visada naudokite asmens saugos priemones.** Naudojant tokias asmens saugos priemones, kaip apsauginius akinius, apsaugos nuo dulkių kaukę, neslystančius batus, apsauginį šalną ir (ar) klausos apsaugos priemones, rekomenduojamas dirbant tam tikromis sąlygomis, sumažėja pavojus patirti traumas.
- **Saugokitės atsitiktinio paleidimo.** Prieš įrankį jungdami prie baterijos ir prieš jį keldami arba nešdami patikrinkite, ar išjungtas jungiklis. Nešant elektrinius įrankius uždėjęs pirštą ant jungiklio arba prijungiant elektrinių įrankių maitinimo įtampą, kai jungiklis įjungtas, gali įvykti nelaimingas atsitikimas.
- **Prieš įjungdami elektrinį įrankį, patraukite į šalį visus reguliavimo raktus ar veržliarakčius.** Palikus veržliarakčių arba raktą uždėtą ant sukamosios elektrinio įrankio dalies, galima susižaloti.
- **Nepraraskite pusiausvyros. Visada stovėkite tvirtai ir išlaikykite pusiausvyrą.** Tuomet geriau suvaldysite elektrinį įrankį netikėtose situacijose.
- **Tinkamai apsirenkite. Nedėvėkite laisvų drabužių ir nenešioti laisvai kabančių papuošalų. Savo plaukus ir drabužius laikykite atokiau nuo judančių dalių.** Laisvus drabužius, papuošalus ar ilgus plaukus gali įtraukti judamosios dalys.
- **Jei yra įtaisai, skirti dulkių išsiurbimo ir surinkimo įrenginiams prijungti, tinkamai prijunkite ir naudokite tuos įrenginius.** Naudojant dulkių surinkimo įrenginius, gali sumažėti su dulkėmis susijusių pavojų.
- **Dažnai naudodami įrankius pernelyg savi nepasitikėkite ir nepraraskite budrumo, kad paisytumėte saugaus įrankio naudojimo taisyklių.** Užtenka akimirkos, kad dėl neatsargaus veiksmo sunkiai susižalotumėte.

ELEKTRINIO ĮRANKIO NAUDOJIMAS IR PRIEŽIŪRA

- **Nesudarykite per didelės apkrovos elektriniam įrankiui.** Naudokite atliekamam darbui tinkamą elektrinį įrankį. Veikdamas numatytuju greičiu, tinkamas elektrinis įrankis darba atlieka veiksmingiau ir saugiau.

- **Nenaudokite elektrinio įrankio, jei jungiklis jo neįjungia arba neišjungia.** Bet koks elektrinis įrankis, kurio jungiklis neveikia, yra pavojingas, tad jį būtina sutaisyti.
- **Prieš šalindami įstrigusias šiukšles, reguliuodami, keisdami priedus, valydami arba sandėliuodami elektrinius įrankius iš jų išimkite sudėtinę bateriją, jei ji išimama, ir (ar) įjunkite bet kurį baterijos išjungimo įtaisą.** Ši saugumo priemonė apsaugos jus nuo netyčinio prietaiso įjungimo.
- **Nenaudojamus elektrinius įrankius laikykite vaikams nepasiekiamoje vietoje. Su elektriniu įrankiu neieškite dirbti asmenims, nesusipažinusiems su įrankiu arba šia instrukcija.** Neišmokytų naudotojų naudojami elektriniai įrankiai kelia pavojų.
- **Tinkamai prižiūrėkite elektrinius įrankius ir priedus. Patikrinkite, ar judamosios dalys išcentruotos ir nestringa, ar nėra sulūžusių dalių ar kitų sąlygų, kurios gali turėti įtakos elektrinio įrankio veikimui. Jei elektrinis įrankis sugedęs, prieš naudodami jį sutaisykite.** Daugelio nelaimingų atsitikimų priežastis yra netinkama elektrinių įrankių ir priedų priežiūra.
- **Prižiūrėkite, kad pjovimo įrankiai būtų aštrūs ir švarūs.** Tinkamai prižiūrimi pjovimo įrankiai su aštriais ašmenimis rečiau stringa ir lengviau valdomi.
- **Elektrinį įrankį, priedus, antgalius ir kitas dalis naudokite pagal šią instrukciją, atsižvelgdami į darbo sąlygas ir atliekamą darbą.** Elektrinį įrankį naudojant ne pagal numatytąją paskirtį, gali susidaryti pavojinga situacija.
- **Įrankių rankenos ir sugriebimo paviršiai turi būti sausi, švarūs ir neištepti alyva ar tepalu.** Dėl slidžių rankenų ir sugriebimo paviršių įrankis iš rankų gali išslėsti ir galite jo nesuvaldyti.
- **Darbo su įrankiu zonoje neturi būti laidų.** Darbo metu laidų galite nepamatyti ir juos galima atsitiktinai pažeisti įrankiu.

BATERIJŲ NAUDOJIMAS IR PRIEŽIŪRA

- **Pakartotinai kraukite tik naudodami gamintojo nurodytą įkroviklį.** Naudojant kitam akumuliatoriaus tipui tinkamą įkroviklį gali kilti gaisro rizika.
- **Elektrinius įrankius naudokite tik su jiems skirtomis sudėtinėmis baterijomis.** Naudojant kitokias sudėtinės baterijas gali kilti traumų ir gaisro pavojus.
- **Nenaudojama sudėtinė baterija turi būti laikoma atokiau nuo metalinių objektų, tokių kaip sąvaržėlės, monetos, raktai, vinys, varžtai ar kiti metaliniai objektai, galintys sujungti abu baterijos gnybtus.** Įvykus trumpajam jungimui tarp baterijos gnybtų, galima nusideginti arba gali kilti gaisras.

- **Dėl netinkamų sąlygų iš akumuliatoriaus gali ištekėti skystis – nelieskite jo. Atsitiktinai patekus ant odos, iškart nuplaukite vandeniu. Jeigu skystis pateko į akis, papildomai kreipkitės pagalbos į gydytojus.** Iš akumuliatoriaus ištekėjęs skystis gali dirginti arba nudeginti.
- **Nenaudokite sugadintos ar modifikuotos sudėtinės baterijos ar įrankio.** Tokios netinkamos baterijos gali kelti gaisro, sprogdimo ar sužalojimo pavojų.
- **Sudėtinės baterijos ar įrankio negalima deginti ar kaitinti.** Bateriją deginant ar įkaitinus virš 130 °C ji gali sprogti.
- **Laikykitės įrankio ar sudėtinės baterijos įkrovimo instrukcijų ir įkrovimą vykdykite nurodytame temperatūrų diapazone.** Priešingu atveju galite sugadinti sudėtinę bateriją ar net sukelti gaisrą.

KITI SAUGOS ĮSPĖJIMAI

APMOKYMAS

- Atidžiai perskaitykite instrukcijas. Susipažinkite su valdymo įtaisais ir nurodymais, kaip tinkamai įrenginį naudoti.
- Įrenginio niekada neieškite naudoti vaikams arba žmonėms, nesusipažinusiems su šia instrukcija. Vietiniai teisės aktai gali riboti operatoriaus amžių.
- Niekada nedirbkite, kai netoliese yra žmonių, ypač vaikų, arba naminių gyvūnų.
- Turėkite omenyje, kad operatorius arba naudotojas atsako už nelaimingus atsitikimus ir pavojus, keliamus kitiems žmonėms ir jų nuosavybei.

PASIRUOŠIMAS

- Dirbdami visada avėkite tvirtą avalynę ir vilkėkite ilgas kelnes. Nedirbkite įrenginiu būdami basi arba avėdami sandalus atviru priekiu.
- Atidžiai apžiūrėkite paviršių, kurį ketinate apdoroti įrenginiu, ir pašalinkite visas kliūtis, kurias įrenginys galėtų išsviesti į orą.
- Prieš elektrinį įrankį naudodami visada jį apžiūrėkite, ar jis nepažeistas ir nesugadintas. Sudilusias ar pažeistas dalis ir varžtus keiskite komplektais, kad išlaikytumėte mechanizmų balansą.

DARBAS

- Nejunkite įrenginio variklio uždaroje erdvėje, kurioje gali kauptis pavojingos anglies monoksido dujos.
- Dirbkite tik dieną arba esant tinkamam dirbtiniam apšvietimui.
- Visada tvirtai atsistokite nuožulniose vietose.

- Dirbdami įrenginiu visada žingsniuokite ir niekada nebėkite.
- Naudodami rotacinius įrenginius su ratukais, visada dirbkite skersai nuožulnios vietos, o ne kildami aukštyn ir leisdami žemyn.
- Būkite itin atsargūs, kai keičiate kryptį nuožulnioje vietoje.
- Nedirbkite per didelio nuolydžio vietose.
- Būkite itin atsargūs, kai einate atbulomis arba traukiate įrenginį savęs link.
- Nekeiskite variklio sūkių regulatoriaus nuostatų ir nedicinkite variklio sūkių.
- Variklį pagal gamintojo instrukcijas paleiskite atsargiai ir atitraukę kuo toliau nuo įrenginio kojas.
- Nekiškite rankų ir kojų arti sukamųjų dalių arba po jomis.
- Niekada nekelkite ir neneškite įrenginio, kai jo variklis dirba.
- Naudokite tik su A paveiksle nurodytomis sudėtinėmis baterijomis ir įkrovikliais.

DARBAS NUOŽULNIOJE VIETOJE:

Nuožulnios vietos yra pagrindinis veiksnys, susijęs su nelaimingais atsitikimais, kurių metu paslystama ir nugriūnama. Šiose vietose galima sunkiai susižaloti. Visada tvirtai atsistokite nuožulniose vietose. Dirbant nuožulniose vietose, reikia būti itin atsargiems. Jei nuožulnioje vietoje netvirtai jaučiatės, nedirbkite joje.

- Stebėkite, ar nėra duobių, provėžų, akmenų, sunkiai pastebimų daiktų arba nelygumų, ant kurių galite paslysti arba už kurių galite užkliūti. Aukšta žolė gali slėpti kliūtis.

TECHNINĖ PRIEŽIŪRA

- Užtikrinkite, kad elektrinio įrankio techninės priežiūros darbus atliktų kvalifikuotas remonto meistras ir kad būtų naudojamos tik identiškos atsarginės dalys.** Tuomet elektrinis įrankis išliks saugus.
- Niekada neremontuokite sugadintos sudėtinės baterijos.** Tokias baterijas remontuoti gali tik gamintojas arba įgalioto techninės priežiūros centro specialistai.

⚠️ ĮSPĖJIMAS: perskaitykite ir peržiūrėkite visus su šiuo elektriniu įrankiu pateiktus saugos nurodymus, instrukcijas, paveikslus ir specifikacijas. Nesilaikant visų toliau išdėstytų nurodymų galima patirti elektros smūgį, sukelti gaisrą ir (ar) sunkiai susižaloti. Išsaugokite visus įspėjimus ir nurodymus, kad prireikus galėtumėte pasižiūrėti.

IŠSAUGOKITE ŠIAS INSTRUKCIJAS!

TECHNINIAI DUOMENYS

Įdirbimo plotis	240 mm	
Įdirbimo gylis	215 mm	
Peilio dydis	215 mm	
Darbinė temperatūra	0°C-40°C	
Sandėliavimo temperatūra	-20°C-70°C	
Svoris (įskaitant apsaugą)	3,9 kg	
Išmatuotas garso galios lygis L_{WA}	87,6 dB(A) K=2,02 dB(A)	
Garso slėgio lygis ties operatoriaus ausimi L_{PA}	77,0 dB(A) K=3 dB(A)	
Garantuotas garso galios lygis L_{WA} (išmatuotas pagal 2000/14/EB)	90 dB(A)	
Vibracijų įvertinimas $a_{h,v}$:	Priekinė pagalbinė rankena	0,94 m/s ² K= 1,5 m/s ²
	Galinė rankena	1,24 m/s ² K= 1,5 m/s ²

- Pirmiau nurodyti parametrai išbandyti ir išmatuoti naudojant elektrinę galvutę PH1400E.
- Nurodyta bendroji vibracijos vertė išmatuota taikant standartinį bandymo metodą, todėl pagal ją galima palyginti skirtingus įrenginius.
- Nurodytą bendrąją vibracijos vertę taip pat galima naudoti pirminiam poveikio vertinimui.

PASTABA: naudojant elektrinį įrankį realiomis sąlygomis, sklaidžiamos vibracijos stiprumo vertė gali skirtis nuo nurodytos. Kad apsaugotų dirbdamas realiomis sąlygomis, naudotojas turi mūvėti pirštines ir dėvėti apsaugines ausines.

PAKUOTĖS TURINIO SĄRAŠAS

DALIES PAVADINIMAS	SKAIČIUS
Kultivatoriaus priedas	1
Apsauga (su varžtu)	1
Šešiakampis raktas	1
Naudojimo instrukcija	1

LT

APRAŠAS

KULTIVATORIAUS APRAŠYMAS (A pav.)

1. Apsauginis dangtelis
2. Kultivatoriaus priedo kotas
3. Krumplinė pavara
4. Mova
5. Išoriniai peiliai
6. Vidiniai peiliai
7. Vielokaištis
8. Apsauga
9. Šešiakampis raktas

SURINKIMAS

⚠️ ĮSPĖJIMAS: jeigu bet kuri dalis yra sugadinta arba jos trūksta, nenaudokite šio įrenginio, kol ji nebus pakeista. Jeigu įrenginys naudojamas, kai dalys yra sugadintos arba jų trūksta, galima sunkiai susižeisti.

⚠️ ĮSPĖJIMAS: nebandykite modifikuoti šio gaminio arba jungti priedus, kurie nerekomenduojami naudoti su šiuo gaminiu. Visi tokie pakeitimai ir modifikacijos laikomi netinkamu naudojimu. Jie gali lemti pavojingas aplinkybes, dėl kurių galima sunkiai susižeisti.

⚠️ ĮSPĖJIMAS: visada montuodami, nuimdami ar tvarkydami peilį mūvėkite tvirtos medžiagos pirštines. Saugokite rankas, kad neįsijautumėte į peilį.

⚠️ ĮSPĖJIMAS: nebandykite prijungti elektrinės galvutės, kol kultivatoriaus visiškai nesurinksite. To nepaisant įrankis gali netyčia įsijungti ir sunkiai sužaloti.

APSAUGOS MONTAVIMAS

⚠️ ĮSPĖJIMAS: apsaugą pritvirtinkite prieš prijungdami kultivatoriaus priedą prie elektrinės galvutės.

1. Šešiakampi raktu atsukite ir ištraukite iš apsaugos varžtą (B pav.).
2. Pakelkite kultivatoriaus priedo kotą ir nuimkite nuo jo apsauginį dangtelį.
3. Įtaikykite apsaugos plyšį į metalinę iškyšą koto gale ir užmaukite apsaugą ant koto taip, kad varžto skylės apsaugoje atitiktų skylės metalinėje iškyšoje (C ir D pav.).
4. Šešiakampi raktu priveržkite varžtą pagal laikrodžio rodyklę ir pritvirtinkite apsaugą.

Toliau pateiktas D pav. parodytų dalių aprašas:

D-1	Varžtas
-----	---------

KULTIVATORIAUS PRIEDO PRIJUNGIMAS PRIE ELEKTRINĖS GALVUTĖS

⚠️ ĮSPĖJIMAS: niekada nemontuokite ir nereguliuokite jokių priedų, kol veikia elektrinė galvutė arba prijungta baterija. Nesustabdę variklio ir neišėmę baterijos galite sunkiai susižeisti.

Šis kultivatoriaus priedas skirtas naudoti su EGO elektrine galvute PH1400E.

1. Išjunkite variklį ir išimkite sudėtinę bateriją.
2. Atlaisvinkite sparnuotąją rankenėlę ant elektrinės galvutės jungiamosios movos.
3. Jeigu ant priedo koto uždėtas apsauginis dangtelis, nuimkite jį ir pasidėkite saugioje vietoje, nes jo reikės vėliau.

Sulyginkite rodyklę ant kultivatoriaus koto su rodykle ant jungiamosios movos (E pav.) ir stumkite kotą į movą, kol išgirsite fiksatoriaus spragtelėjimą (F pav.).

Toliau pateiktas E pav. parodytų dalių aprašas:

E-1	Koto atjungimo mygtukas
E-2	Rodyklė ant jungiamosios movos
E-3	Sparnuotoji rankenėlė
E-4	Rodyklė ant priedo koto
E-5	Raudona linija

Toliau pateiktas F pav. parodytų dalių sąrašas:

F-1	Raudona linija
-----	----------------

4. Atsargiai truktelėkite kultivatoriaus priedo kotą, kad patikrintumėte, ar jis patikimai užsifiksavo. Jeigu ne, pasukinėkite kultivatoriaus kotą jungiamosios movoje, kol išgirsite aiškų fiksatoriaus spragtelėjimą.
5. Tvirtai užveržkite sparnuotąją rankenėlę.

⚠️ ĮSPĖJIMAS: prieš įjungdami įrenginį patikrinkite, ar sparnuotoji rankenėlė tvirtai užveržta. Darbo metu reguliariai tikrinkite užveržimą, kad išvengtumėte sužalojimų.

ĮTAISO NUĖMIMAS NUO ELEKTRINĖS GALVUTĖS

1. Išjunkite variklį ir ištraukite sudėtinę bateriją.
2. Atlaisvinkite sparnuotąją rankenėlę.
3. Spausdami koto atjungimo mygtuką, traukite ar sukite kultivatoriaus priedo kotą iš jungiamosios movos, kad atjungtumėte jį nuo elektrinės galvutės.

NAUDOJIMAS

⚠️ ĮSPĖJIMAS: mokėjimas naudotis įrenginiu nesuteikia teisės dirbti nerūpestingai. Atsiminkite, kad trumpam atitraukę dėmesį galite sunkiai susižaloti.

⚠️ ĮSPĖJIMAS: visada naudokite akių ir klausos apsaugos priemones. Nesilaikant šio nurodymo į akis gali patekti išsviestų svetimkūnių arba galite patirti kitokių sunkių traumų.

⚠️ ĮSPĖJIMAS. Nenaudokite priedų arba įtaisų, kurių nerekomendavo šio įrenginio gamintojas. Naudodami nerekomenduojamus priedus arba įtaisus galite sunkiai susižaloti.

PASKIRTIS

Šį gaminį galima naudoti toliau išvardytais tikslais:

- Arti daržo žemę ruošiant sodinimui lysves.
- Purenti žemę aplink augalus, išravint piktžolės ir padedant orui bei vandeniui lengviau patekti į dirvožemį.
- Apkasti dirvožemio paviršių su kompostu, lapais ar kitomis organinėmis trąšomis. Negilus dirvožemio įdirbimas išpureną viršutinį jo sluoksnį ir sumaišo su pridėtinėmis trąšomis.
- Vagų formavimas išjudintame dirvožemyje.

PASTABA: kad kultivatoriumi nepažeistumėte medžių, saugokite nuo jo peilių medžių šaknis. Peilių neleiskite pernelyg giliai, nes galite pažeisti kai kurių augalų paviršines šaknis.

KULTIVATORIAUS PRIEDO NAUDOJIMAS SU ELEKTRINE GALVUTE

⚠️ ĮSPĖJIMAS: siekdami sumažinti susižalojimo riziką įrenginio naudojimo metu, tinkamai apsirenkite. Nedėvėkite laisvų drabužių ir nenešiotkite laisvai kabančių papuošalų. Užsidėkite apsauginius akinius. Avėkite apsauginę avalynę. Mūvėkite tvirtos medžiagos ilgas kelnes ir pirštines, avėkite tinkamus batus. Nedirbkite su trumpomis kelnėmis, su sandalais ar basomis. Laikykite kultivatorių viena ranka už galinės rankenos, kita – už priekinės pagalbinės rankenos. Dirbdami su kultivatoriumi laikykite jį tvirtai abiem rankomis. Kultivatorių reikia laikyti patogioje padėtyje taip, kad galinė rankena būtų maždaug klubų aukštyje.

Įrankį tvirtai laikykite išlaikydami pusiausvyrą ant abiejų kojų (G pav.).

Su kultivatoriumi galite dirbti judėdami į priekį ar atgal, iš kairės į dešinę, iš dešinės į kairę ar ratu. Pasirinkite geriausiai jūsų tikslui tinkantį būdą, kuris priklauso nuo dirbamos žemės formos ir dydžio ir jos būklės.

Judėjimo pakaitomis atgal ir į priekį metodas ypač tinka suspaustam dirvožemiui išjudinti.

Formuodami vagas eikite iš lėto atgal ir kultivatorių traukite, kad jis iškastų vagą. Jei vagą reikia pagilinti, procedūrą kartokite.

PASTABA: atsargiai traukdami veikiančių kultivatorių link savęs palengvinsite sau darbą, nes žemę įdirbti bus lengviau.

Išsviestos šiukšlės gali sužaloti operatorių arba pašalinį asmenį. Norint sumažinti traumų pavojų, svarbiausia imtis šių atsargumo priemonių:

- Patikrinkite darbo zoną ir pašalinkite iš jos visas paslėptas kliūtis, tokias kaip stiklai, akmenys, betono atplaišos, vielos, metaliniai daiktai ir pan., kuriuos peiliai gali išsviesti arba į kuriuos gali įsipainioti. Saugokitės, kad įrankis neatsitrenktų į kietas ir tvirtas kliūtis.
- Peilius reguliariai ir dažnai tikrinkite, ar jie nenudilę, ir po atsitrenkimo į kietas kliūtis. Nedirbkite su pažeistu peiliu.
- Darbo metu kultivatorių visada laikykite abiem rankomis. Tvirtai laikykite suėmę už abiejų rankenų.
- Kultivatorių paleiskite tik perkėję jį į darbo zoną ir pradžioje įjunkite mažesnę greitį.

Kiekvieną kartą prieš naudodami tikrinkite, ar nėra sugadintų arba nusidėvėjusių dalių Patikrinkite peilius, apsaugą ir priekinę įtūrinę rankeną ir pakeiskite visas dalis, kurios įtūrusios, deformuotos, sulinkusios ar kitaip pažeistos.

Kultivatorių po kiekvieno naudojimo išvalykite.

ĮRANKIO PALEIDIMAS IR STABDYMAS

Žr. elektrinės galvutės PH1400E operatoriaus vadovo skyrių „ELEKTRINĖS GALVUTĖS PALEIDIMAS IR STABDYMAS“.

TECHNINĖ PRIEŽIŪRA

⚠️ ĮSPĖJIMAS: Atlikdami techninės priežiūros darbus, naudokite tik identiškas atsargines dalis. Naudojant bet kokias kitas dalis, gali kilti pavojus arba sugesti gaminys. Norint užtikrinti saugų ir patikimą gaminio naudojimą, visus remonto darbus turi atlikti kvalifikuotas techninės priežiūros specialistas.

⚠️ ĮSPĖJIMAS: elektrinių įrankių su baterijomis nereikia jungti į elektros lizdą; dėl to jie visada yra darbinės būsenos. Norėdami išvengti rimtų sužalojimų, imkitės papildomų atsargumo priemonių ir būkite atidūs atlikdami techninę priežiūrą arba keisdami pjovimo įtaisą ar kitus priedus.

LT

⚠️ ĮSPĖJIMAS: kad sunkiai nesusižalotumėte, prieš vykdydami techninės priežiūros, valymo, priedų keitimo darbus ar gaminio nenaudodami, visada nuo elektrinės galutės atjunkite sudėtinę bateriją.

⚠️ ĮSPĖJIMAS: visada tvarkydami, tvirtindami ar nuimdami peilį mūvėkite tvirtos medžiagos pirštines. Saugokite rankas, kad neįsijautumėte į peilį.

BENDROJI TECHNINĖ PRIEŽIŪRA

⚠️ ĮSPĖJIMAS: visada saugokite plastikines dalis nuo stabdžių skysčių, benzino, naftos produktų, skvarbių alyvų ir pan. Cheminės medžiagos gali sugadinti, susilpninti arba suardyti plastiką ir dėl to galite sunkiai susižaloti.

⚠️ ĮSPĖJIMAS: Valydami kultivatoriaus priedą, NIEKADA neįmerkite jo į vandenį arba kitą skystį. Neplaukite savo įrenginio suslėgta vandens srove. Stiprus vandens srautas gali sugadinti įrenginio dalis.

- Visi varžtai, veržlės ir sraigtai turi būti priveržti, kad įrenginį būtų saugu naudoti.
- Kad sumažėtų gaisro pavojus, variklis, duslintuvas ir baterijos skyrius turi būti nuvalyti nuo augalų liekanų ir tepalų pertekliaus.
- Pakeiskite susidėvėjusias arba pažeistas dalis, kad užtikrintumėte saugumą.

PEILIŲ TECHNINĖ PRIEŽIŪRA

- Peilius reguliariai tepkite priemonėmis nuo rūdžių.
- Jeigu reikia keisti kurį nors sudilusį peilį, pakeiskite visus keturis peilius, kad įrenginys geriau dirbtų.

Visus šiose instrukcijose neišvardintus kultivatoriaus techninės priežiūros darbus turi vykdyti įgalioto techninės priežiūros centro specialistai.

Keitimas

Kultivatoriuje sumontuoti keturi peiliai: du vidiniai ir du išoriniai. Kad kultivatorius tinkamai veiktų, peilius reikia sumontuoti tinkama kryptimi. Ant peilių įspaustos žymės „L“ (kairė) ir „R“ (dešinė) (H ir I pav.).

Toliau pateiktas H ir I pav. parodytų dalių sąrašas:

H-1	Varantysis velenas	H-7	Vielokaištis
H-2	Vidinė mova	I-1	Vielokaištis
H-3	Išorinė mova	I-2	Išorinis peilis su „R“ žyme

H-4	„L“ žymė	I-3	Vidinis peilis su „R“ žyme
H-5	Vidinis peilis su „L“ žyme	I-4	„R“ žymė
H-6	Išorinis peilis su „L“ žyme		

PASTABA: PEILIUS SU DANTIMIS ABIEM KRYPTIMIS REIKIA TVIRTINTI VIDUJE, ARČIAUSIAI KRUMPLINĖS PAVAROS.

1. Užsimaukite pirštines.
2. Vidinį peilį su „L“ įspaudu ir dantimis abiem kryptimis uždėkite kairėje krumplinės pavaros pusėje.
3. Išorinį peilį su „L“ įspaudu ir dantimis viena kryptimi uždėkite toje pačioje pusėje taip, kad išorinė mova būtų atsukta į vidinį peilį.
4. Pritvirtinkite peilį prie varančiojo veleno vielokaiščiu, įstatydami jį į 1 fiksavimo angą. Žr. J, K, L ir N paveikslus.
5. Apverskite įrankį taip, kad uždėtas išorinis peilis remtųsi į žemę.
6. Vidinį peilį su „R“ įspaudu ir dantimis abiem kryptimis uždėkite dešinėje krumplinės pavaros pusėje.
7. Išorinį peilį su „R“ įspaudu ir dantimis viena kryptimi uždėkite toje pačioje pusėje taip, kad išorinė mova būtų atsukta į vidinį peilį.
8. Pritvirtinkite peilį prie varančiojo veleno vielokaiščiu, įstatydami jį į 1 fiksavimo angą, o po to pasukdami vielokaištį 90° kampu. Žr. J, K, L ir N paveikslus.

⚠️ ĮSPĖJIMAS: netinkamai uždėjus peilius įrenginys gali tinkamai nedirbti arba kelti pavojų operatoriui ir pašaliniais asmenims. Jei dirbdami pastebėsite kokius nors įrenginio sutrikimus, patikrinkite peilius, ar jie tinkamai uždėti.

PEILIUS SU DANTIMIS ABIEM KRYPTIMIS REIKIA TVIRTINTI VIDUJE, ARČIAUSIAI KRUMPLINĖS PAVAROS.

Reguliavimas

Įdirbant žemę ribotame plote ar tarp eilių, kultivatorių galima naudoti tik su uždėtais vidiniais peiliais.

Užsimaukite pirštines ir ištraukite abu vielokaiščius, kad nuimtumėte išorinius peilius (M pav.), o po to vielokaiščius įstatykite į 2 fiksavimo angą (N ir O pav.).

Toliau pateiktas N pav. parodytų dalių sąrašas:

N-1	1 fiksavimo anga
N-2	2 fiksavimo anga

PASTABA: montuodami ar nuimdami peilius nespauskite jų jėga ant varančiojo veleno. Jeigu sunku juos nuimti, veleną sutepkite nedideliu skvarbios alyvos kiekiu. Vėl uždėdami peilius varantįjį veleną ir peilius nuvalykite ir sutepkite.

ĮRENGINIO VALYMAS

Darbo metu ant sukamųjų peilių ir tarp jų gali tvirtai apsisivynioti augalų dalys, pvz., šaknys. Norint nuvalyti sukamuosius peilius:

- Išimkite bateriją.
- Užsimaukite pirštines. Nuvalykite nuo peilių, apsaugos ir krumplynės pavaros šaknų dalis, prikibusią žemę ir augalus. Jei norite kruopščiai išvalyti, peilius ir apsaugą nuimkite ir nuplaukite. Detali išardymo ir surinkimo procedūra aprašyta pirmesniame skyriuje.

„PEILIŲ KEITIMAS IR REGULIAVIMAS“.

- Įrankio paviršių nušluostykite švaria šluoste, suvilgyta silpname muilo tirpale.

ĮRENGINIO SANDĖLIAVIMAS

- Atjunkite nuo įrankio sudėtinę bateriją.
- Atjunkite nuo elektrinės galvutės kultivatoriaus priedą ir ant priedo koto uždėkite apsauginį dangtelį, kad movos neužterštų nešvarumai.
- Įrankį laikykite sausoje, gerai vėdinamoje vietoje ir vaikams neprieinamoje vietoje. Nelaikykite įrankio ant arba prie trąšų, benzino ar kitų cheminių medžiagų.

Aplinkos apsauga



Neišmeskite elektros įrangos, baterijos įkroviklio ir baterijų bei įkraunamų baterijų kartu su buitėmis atliekomis! Pagal Europos Parlamento ir Tarybos direktyvas 2012/19/EB ir 2006/66/EB nenaudojama elektros bei elektronikos įranga ir nenaudojamos arba sugedę sudėtinės baterijos ar baterijos turi būti surenkamos atskirai. Jei elektriniai prietaisai išmetami į užkasamuosius arba atviruosius sąvartynus, kenksmingos medžiagos gali prasisunkti iki gruntinio vandens, patekti į mitybos grandinę ir kenkti jūsų sveikatai bei gerovei. nces are disposed of in landfills or dumps, hazardous substances can leak into the groundwater and get into the food chain, damaging your health and well-being.

TRIKČIŲ DIAGNOSTIKA IR JŲ ŠALINIMAS

PROBLEMA	PRIEŽASTIS	SPRENDIMAS
Kultivatoriaus neįmanoma paleisti.	<ul style="list-style-type: none"> ■ Sudėtinė baterija tinkamai neprijungta prie elektrinės galvutės. ■ Nėra elektros kontakto tarp elektrinės galvutės ir sudėtinės baterijos. ■ Sudėtinė baterija išsikrovė. ■ Vienu metu nenuspaudžiama fiksavimo svirtelė ir jungiklis. 	<ul style="list-style-type: none"> ■ Prijunkite sudėtinę bateriją prie elektrinės galvutės. ■ Išimkite bateriją, patikrinkite kontaktus ir vėl įstatykite sudėtinę bateriją, kad užsifikuotų savo vietoje. ■ Įkraukite sudėtinę bateriją šiame vadove nurodytu EGO įkrovikliu. ■ Norėdami įjungti įrankį, paspauskite ir laikykite nuspaukę fiksavimo svirtelę, o po to nuspauskite jungiklį.
Kultivatorius darbo metu sustoja.	<ul style="list-style-type: none"> ■ Variklio perkrova. ■ Sudėtinė baterija pernelyg įkaito. ■ Peiliai įstrigo. ■ Sudėtinė baterija atsijungė nuo įrankio. ■ Sudėtinė baterija išsikrovė. 	<ul style="list-style-type: none"> ■ Variklis pradės veikti pašalinus apkrovą. Kad darbas vyktų be pertrūkių, sumažinkite kultivatoriaus apkrovą ir giliai žemės nerauskite; vietoje to gilyn į dirvožemį skverbkitės palaipsniui. ■ Leiskite sudėtinai baterijai ar elektrinei galvutei atvėsti, kol temperatūra nukris žemiau 67 °C . ■ Atjunkite bateriją nuo elektrinės galvutės ir ranka prasukite peilius į vieną ir į kitą pusę, kad iškristų tarp peilių ar peilių ir krumplinės pavaros įstrigę akmenukai ir kitos šiukšlės. ■ Vėl prijunkite sudėtinę bateriją. ■ Įkraukite sudėtinę bateriją šiame vadove nurodytu EGO įkrovikliu.

LT

GARANTIJA

EGO GARANTINIS POLISAS

Norėdami sužinoti visas „EGO“ garantinio poliso sąlygas, apsilankykite interneto svetainėje egopowerplus.com.

IZLASIET VISUS NORĀDĪJUMUS!



IZLASIET UN IZPROTIET LIETOŠANAS INSTRUKCIJU

⚠ Atlikušā sprieguma apdraudējums! Cilvēkiem, kuri izmanto elektroniskas ierīces, piemēram, elektrokardiostimulatorus, pirms šīs ierīces lietošanas jāsažinās ar savu ārstējošo ārstu. Elektroierīču darbība tuvu elektrokardiostimulatoram var izraisīt traucējumus vai tā atteici.

⚠ BRĪDINĀJUMS. Lai garantētu drošību un uzticamību, ierīces remontu un tās detaļu nomaiņu veikt drīkst tikai kvalificēts apkopes tehniķis.

DROŠĪBAS APZĪMĒJUMI

Drošības apzīmējumu nolūks ir pievērst uzmanību iespējamam apdraudējumam. Drošības apzīmējumiem un to skaidrojumiem jāpievērš īpaša uzmanība, un tie pilnībā jāizprot. Apzīmējumu brīdinājumi paši par sevi nenovērš apdraudējumu. Apzīmējumos iekļautie norādījumi un brīdinājumi neaizstāj atbilstošus darba drošības pasākumus.

⚠ BRĪDINĀJUMS. Pirms šī darbarīka lietošanas noteikti izlasiet un izprotiet visus šajā lietošanas rokasgrāmatā iekļautos norādījumus, tostarp visus drošības brīdinājumu apzīmējumus, piemēram, „**BĪSTAMI**”, „**BRĪDINĀJUMS**” un „**UZMANĪBU!**”. Neievērojot tālāk uzskaitītos norādījumus, var rasties elektrotrauma, aizdegšanās un/vai smaga trauma.

APZĪMĒJUMA NOZĪME

⚠ Drošības brīdinājuma apzīmējums: Norāda uz BRIESMĀM, BRĪDINĀJUMU vai aspektiem, kam jāpievērš **UZMANĪBA**. Var tikt izmantots kopā ar citiem apzīmējumiem vai piktogrammām.



⚠ Brīdinājums! Jebkura elektroinstrumenta lietošanas laikā iespējamas situācijas, kur svešķermeņi var nonākt acīs, kā rezultātā varat gūt nopietnu acu traumu. Pirms elektroinstrumenta ieslēgšanas vienmēr uzvelciet aizsargbrilles vai aizsargbrilles ar sānu aizsargiem un, ja nepieciešams, pilnu sejas aizsargmasku. Iesakām izmantot aizsargmasku ar plašu skata leņķi, ko uzvelk virs parastajām brillēm, vai arī standarta aizsargbrilles ar sānu aizsargiem.

DROŠĪBAS NORĀDĪJUMI

Šajā lappusē ir parādīti un aprakstīti drošības apzīmējumi, kas var atrasties uz izstrādājuma. Pirms ierīces salikšanas un lietošanas izlasiet, izprotiet un izpildiet visus norādījumus.

	Drošības brīdinājums	Norāda uz iespējamu ievainojumu gūšanas risku.
	Izlasiet un izprotiet lietotāja rokasgrāmatu	Lai mazinātu traumu rašanās bīstamību, pirms šī izstrādājuma lietošanas tā lietotājam jāizlasa un jāizprot lietošanas rokasgrāmata.
	Lietojiet dzirdes aizsarglīdzekļus	Strādājot ar šo instrumentu, vienmēr izmantojiet dzirdes aizsarglīdzekļus.
	Izmantojiet acu aizsarglīdzekļus	Strādājot ar šo izstrādājumu, vienmēr valkājiet aizsargbrilles vai drošības brilles ar sānu aizsargiem.
	Lietojiet aizsargcimdus	Darbojoties ar asmeņiem vai asmens aizsargu, sargājiet savas rokas, valkājot cimdus. Neslidoši augstākās aizsardzības pakāpes aizsargcimdi palīdz labāk satvert instrumentu un aizsargāt jūsu rokas.
	Valkājiet drošības apavus	Lietojot šo instrumentu, valkājiet drošības apavus ar neslidošu zoli.
	Rikošets	Lidojoši priekšmeti var atsīties un radīt miesas bojājumus vai kaitējumu īpašumam.
	Turēt kājas atstatos	Lai samazinātu ar iegriešanu saistītu ievainojumu draudus, turiet kājas atstatos no rotējošām asmeņiem.

LV

	Neļaut tuvoties nepiederošām personām	Nodrošiniet, ka citas personas atrodas drošā attālumā
	CE	Šis izstrādājums atbilst piemērojamajām Eiropas Komisijas (EK) direktīvām.
	EIEA	Elektriskos izstrādājumus nedrīkst utilizēt kopā ar sadzīves atkritumiem. Nogādājiet tos pilnvarotam atkritumu pārstrādātājam.
	Troksnis	Garantētais skaņas intensitātes līmenis.
	Nepaļaujiet lietus iedarbībai	Nelietojiet ierīci lietū un neatstājiet to ārā lietus laikā.
IPX4	IP apzīmējums	4. aizsardzības klase pret ūdens iekļūšanu
V	Volti	Spriegums
mm	Milimetrs	Garums vai izmērs
kg	Kilograms	Svars

VISPĀRĒJIE ELEKTROINSTRUMENTA DROŠĪBAS BRĪDINĀJUMI

LV

⚠ BRĪDINĀJUMS! Izlasiet visus ar šo elektroinstrumentu saistītos drošības brīdinājumus, norādījumus, specifikācijas un aplūkojiet attēlus. Visu turpmāk uzskaitīto norādījumu neievērošana var izraisīt elektriskās strāvas triecienu, aizdegšanos un/vai nopietnas traumas.

Saglabājiet visus brīdinājumus un norādījumus, lai tos arī turpmāk varētu lietot.

DROŠĪBA DARBA VIETĀ

- **Uzturiet darba vietu tīru un labi apgaismotu.** Nekārtīgās un tumšās darba vietās ir lielāks negadījumu risks.
- **Nedarbiniet elektroinstrumentu sprādzienbīstamā vidē, piemēram, viegli uzliesmojošu šķidrums, gāzu vai putekļu klātbūtnē.** Elektroinstrumenti rada dzirksteles, kas var aizdedzināt putekļus vai izgarojumu vaikus.

- **Elektroinstrumenta darbināšanas laikā tā tuvumā nedrīkst atrasties bērni un citas personas.** Novēršot uzmanību, varat zaudēt kontroli pār instrumentu.

ELEKTRODROŠĪBA

- **Sargājiet elektroinstrumentus no lietus vai mitruma.** Ūdens iekļūšana elektroinstrumentā palielina elektriskās strāvas triecienu risku.

PERSONĪGĀ DROŠĪBA

- **Darbinot elektroinstrumentu, esiet modri, sekojiet līdzi savām darbībām un izmantojiet veselo saprātu. Nelietojiet elektroinstrumentu, ja esat noguruši vai atrodaties narkotiku, alkohola vai medikamentu ietekmē.** Ja elektroinstrumenta darbināšanas laikā kaut uz mirkli zaudēsiet uzmanību, varat gūt nopietnus ievainojumus.
- **Vienmēr lietojiet individuālos aizsarglīdzekļus.** Ja tiek lietots darba specifikai atbilstošs aizsargaprīkojums, piemēram, acu aizsarglīdzekļi, maska ar putekļu filtru, neslidošī darba apavi, ķivere vai austiņas, samazinās traumu gūšanas risks.
- **Novērsiet nejaūšas ieslēgšanās iespējamību. Pirms instrumenta pievienošanas akumulatoram, pirms pacelšanas vai pārnesšanas uz citu vietu, pārliecinieties, vai slēdzis atrodas izslēgtā stāvoklī.** Pārnēsājot elektroinstrumentu ar pirkstu uz slēdža vai iedarbinot elektroinstrumentu, kas jau ir ieslēgtā stāvoklī, var notikt nelaimes gadījums.
- **Pirms elektroinstrumenta ieslēgšanas izņemiet visas regulēšanas atslēgas vai uzgriežņatslēgas.** Uzgriežņatslēga vai atslēga, kas palikusi piestiprināta pie elektroinstrumenta kustīgās daļas, var izraisīt ievainojumus.
- **Nestiepieties pārāk tālu. Vienmēr saglabājiet pareizu stāju un līdzsvaru.** Tādējādi nodrošināsit labāku kontroli pār elektroinstrumentu negaidītās situācijās.
- **Valkājiet atbilstošu apģērbu. Nevalkājiet vaļīgu apģērbu vai rotaslietas. Sargājiet matus, apģērbu un cimdus no kustīgajām daļām.** Vaļīgs apģērbs, rotaslietas vai gari mati var iekerties instrumenta kustīgajās daļās.
- **Ja ierīces ir paredzētas savienošanai ar putekļu nosūkšanas un savākšanas iekārtām, nodrošiniet, ka tās tiek pareizi pievienotas un izmantotas.** Putekļu savākšanas ierīču izmantošana var samazināt ar putekļiem saistītos apdraudējumus.
- **Nepieļaujiet, ka instrumentu bieža lietošana varētu izraisīt nevērtīgu attieksmi darbā ar tiem, un neignorējiet ar instrumenta lietošanu saistītos drošības principus.** Viens brīdis neuzmanības var izraisīt nopietnas traumas.

ELEKTROINSTRUMENTA LIETOŠANA UN APKOPE

- **Nespiediet elektroinstrumentu ar spēku.** Lietojiet jūsu veicamajam uzdevumam piemērotāko elektroinstrumentu. Piemērots elektroinstrumenta labāk un drošāk spēš izpildīt veicamo darbu, darbojoties tam paredzētajā ātrumā.
- **Nelietojiet elektroinstrumentu, ja nedarbojas tā ieslēgšanas/izslēgšanas slēdzis.** Jebkurš elektroinstrumenta, kura ieslēgšanas/izslēgšanas slēdzis nedarbojas, ir bīstams, un to nepieciešams labot.
- **Pirms iestrēguša materiāla izņemšanas no asmeņiem, kā arī pirms elektroinstrumenta regulēšanas, aprīkojuma daļu nomainīšanas, tīrīšanas vai novietošanas uzglabāšanā, izņemiet no elektroinstrumenta akumulatoru bloku, ja to var izdarīt.** Šādi piesardzības pasākumi palīdzēs novērst nejausu elektroinstrumenta ieslēgšanu.
- **Glabājiet izslēgtus elektroinstrumentus bērniem nepieejamā vietā un neļaujiet personām, kuras nepārzina elektroinstrumenta funkcijas un nav iepazinušās ar šiem norādījumiem, tos lietot.** Elektroinstrumenti ir bīstami, ja ar tiem darbojas neapmācīti lietotāji.
- **Veiciet elektroinstrumentam un piederumiem apkopi.** Pārbaudiet, vai ir pareizi uzstādītas kustīgās daļas un vai tās neķeras, un vai elektroinstrumenta daļām nav bojājumu, kas var negatīvi ietekmēt tā darbību. Bojāts elektroinstrumenta ir jāsalabo pirms nākamās lietošanas reizes. Daudzu negadījumu cēlonis ir sliktā stāvoklī esošu elektroinstrumentu un piederumu izmantošana.
- **Uzturiet griezējinstrumentus asus un tīrus.** Pareizi apkopti griezējinstrumenti ar asām griezējmalām retāk saķeras un ir vieglāk kontrolējami.
- **Lietojiet elektroinstrumentu, tā piederumus un instrumenta elementus, kā arī citus saistītos elementus atbilstoši šiem norādījumiem, ņemot vērā darba apstākļus un veicamo uzdevumu.** Elektroinstrumenta lietošana neparedzētiem mērķiem var radīt bīstamas situācijas.
- **Rokturiem un satveršanas daļām jābūt sausiem, tīriem un uz tiem nedrīkst būt eļļa vai smērviela.** Ja rokturi un satveršanas daļas ir mitras, tās slīdēs, un ar instrumentu vairs nebūs droši strādāt un/vai apvaldīt neparedzētu apstākļu gadījumos.
- **Uzmanieties, lai kabeli atrastos drošā attālumā no instrumenta darba zonas.** Darba laikā kabeli var nemanāmi savīties un tikt nejausi pārgriezti ar instrumentu.

AKUMULATORA LIETOŠANA UN APKOPE

- **Uzlādēšanai izmantojiet tikai ražotāja norādīto uzlādes ierīci.** Uzlādes ierīce, kas ir piemērota viena veida akumulatoriem, var radīt ugunsgrēka risku, ja tā tiek izmantota kopā ar citu akumulatoru.
- **Lietojiet elektroinstrumentus kopā tikai ar tiem paredzētiem akumulatoru blokiem.** Jebkura cita akumulatoru bloka lietošana var radīt traumu gūšanas un aizdegšanās risku.
- **Kamēr akumulatora bloks netiek izmantots, glabājiet to tā, lai tas nenonāktu saskarē ar citiem metāla objektiem, piemēram, papīra saspraudēm, monētām, atslēgām, naglām, skrūvēm vai citiem maziem objektiem, kas var radīt savienojumu starp spailēm.** Īssavienojuma radīšana starp akumulatora spailēm var izraisīt apdegumus vai ugunsgrēku.
- **Neatbilstošos apstākļos no akumulatora var izšākties šķidrums, izvairieties no saskares ar to.** Ja tomēr nejausi nonākat ar to saskarē, atbilstošo vietu nekavējoties noskalojiet ar ūdeni. Ja šis šķidrums nonāk saskarē ar acīm, vērsieties pie ārsta. Šķidrums, kas izšācas no akumulatora, var radīt iekaisumu vai apdegumus.
- **Nelietojiet bojātu vai pārveidotu akumulatoru bloku vai instrumentu.** Bojātu vai pārveidotu akumulatoru izmantošana var radīt neparedzamus apstākļus, kas rada aizdegšanās, sprādziena vai traumas gūšanas draudus.
- **Nepakļaujiet akumulatoru bloku vai instrumentu uguns liesmu vai pārmērīgas temperatūras iedarbībai.** Uguns liesmu iedarbība vai temperatūra virs 130 °C var izraisīt sprādzienu.
- **Izpildiet visas uzlādēšanas instrukcijas un neuzlādējiet akumulatoru bloku vai instrumentu ārpus instrukcijās norādītajām temperatūras vērtībām.** Ja instruments tiek uzlādēts nepareizi vai tiek pārsniegtas instrukcijās norādītās uzlādēšanas temperatūras vērtības, akumulators var sabojāties un palielināt aizdegšanās risku.

LV

CITI DROŠĪBAS BRĪDINĀJUMI

INSTRUMENTA LIETOŠANAS APGŪŠANA

- Rūpīgi izlasiet instrukcijas. Iepazīstieties ar instrumenta vadības elementiem un pareizu lietošanu.
- Nekādā gadījumā neļaujiet instrumentu lietot cilvēkiem, kas nav iepazinušies ar šiem norādījumiem, kā arī bērniem. Vietējie noteikumi var ierobežot instrumenta lietotāja vecumu.

- Nekad nestrādājiet, ja darba zonas tuvumā atrodas cilvēki, it īpaši bērni vai dzīvnieki.
- Ņemiet vērā, ka instrumenta lietotājs vai operators ir atbildīgs par negadījumiem vai apdraudējumiem, kas var rasties citiem cilvēkiem vai īpašumam.

SAGATAVOŠANĀS DARBAM

- Strādājot ar instrumentu, vienmēr valkājiet piemērotus apavus un garās bikses. Nestrādājiet ar instrumentu basām kājām vai sandalēs.
- Apskatiet darba zonu, kurā strādāsiet ar instrumentu, un aizvāciet visus šķēršļus, kurus instruments var atsviest atpakaļ.
- Pirms lietošanas vienmēr apskatiet instrumentu, vai nav nolietojusies nav bojāta kāda daļa. Nomainiet visas bojātās daļas un bultskrūves vienlaicīgi, lai netiktu izjaukts šo daļu līdzsvars.

EKSPLUATĀCIJA

- Nedarbiniet motoru slēgtā telpā, kur var sakrāties bīstamie oglekļa monoksīda dūmi.
- Strādājiet tikai dienas laikā vai labā maksimālajā apgaismojumā.
- Vienmēr pārliecinieties, vai jums, atrodoties slīpumā, zem kājām ir drošs pamats.
- Strādājot ar instrumentu ejiet, nekad neskrieniet.
- Iekārtām ar rotējošiem riteņiem — strādājiet tikai šķērsām pret slīpumu, bet nekad uz augšu un uz leju.
- Esiet īpaši uzmanīgs(-a), kad maināt virzienu, atrodoties slīpumā.
- Nestrādājiet pārāk lielā slīpumā.
- Esiet īpaši piesardzīgs(-a), stumjot iekārtu atpakaļgaitā, vai velkot to uz savu pusi.
- Nomainiet motora apgriezienu skaita regulatora iestatījumus un nedarbiniet motoru ar pārāk augstiem apgriezieniem.
- Iedarbiniet motoru uzmanīgi, atbilstoši ražotāja instrukcijām un raugiet, lai pēdas šajā laikā atrastos pietiekamā attālumā no instrumenta.
- Neturiet plaukstu vai pēdas rotējošu daļu tuvumā vai zem tām.
- Nekad neceliet un nenesiet instrumentu, kamēr darbojas motors.
- Izmantojiet tikai A attēlā uzskaitītos akumulatora blokus un lādētājus.

LV

DARBS SLĪPUMĀ:

Nogāzes ir galvenais faktors, kas saistīts ar paslīdēšanas un pakļūšanas negadījumiem, kas var novest pie smagu traumu gūšanas. Vienmēr pārliecinieties, ka, atrodoties uz nogāzes, ir drošs pamats. Strādājot slīpumā ir nepieciešama papildus piesardzība. Ja jūtaties neomulīgi, strādājot nogāzēs, pārtrauciet darbu.

- Uzmanieties no bedrēm, grambām, akmeņiem, paslēptiem priekšmetiem vai izcīļņiem, kuru dēļ varat paslīdēt vai pakļūt. Garā zālē var atrasties šķēršļi, kurus nevar saskatīt.

APKOPE

- **Jūsu elektroinstrumentam apkopes un uzturēšanas darbus drīkst veikt tikai kvalificēts mehāniķis, izmantojot tikai identiskus maiņas daļas.** Tādējādi tiek nodrošināta elektroinstrumenta drošas darbības saglabāšana.
- **Nekad neveiciet bojātam akumulatoru blokam remontdarbus pašrocīgi.** Bojāta akumulatoru bloka remontdarbus drīkst veikt tikai ražotājs vai pilnvaroti servisa darbinieki.

⚠ BRĪDINĀJUMS! Izlasiet visus ar šo elektroinstrumentu saistītos drošības brīdinājumus, norādījumus, specifikācijas un aplūkojiet attēlus. Visu turpmāk uzskaitīto norādījumu neievērošana var izraisīt elektriskās strāvas triecienu, aizdegšanos un/vai nopietnas traumas. Saglabājiet visus brīdinājumus un instrukcijas turpmākai atsaucei.

SAGLABĀJIET ŠOS NORĀDĪJUMUS!

SPECIFIKĀCIJAS

Kultivēšanas darba platums	240 mm
Kultivēšanas platums	215 mm
Asmens izmērs	215 mm
Darba temperatūra	0°C-40°C
Uzglabāšanas temperatūra	-20°C-70°C
Svars (kopā ar aizsargu)	3,9 kg
Izmērītais skaņas intensitātes līmenis L_{WA}	87,6 dB(A) K=2,02 dB(A)
Skaņas spiediena līmenis pie operatora auss L_{PA}	77,0 dB(A) K=3 dB(A)

Garantētais skaņas intensitātes līmenis L_{WA} (izmērīts saskaņā ar 2000/14/EK)		90 dB(A)
Vibrācijas ietekmes novērtējums $a_{h,v}$:	Priekšējais palīgrokturis	0,94 m/s^2 $K= 1,5 m/s^2$
	Aizmugurējais rokturis	1,24 m/s^2 $K= 1,5 m/s^2$

- Iepriekš minētie parametri ir pārbaudīti un izmērīti kopā ar instrumentgalvu PH1400E.
- Deklarētās vibrācijas emisijas kopējās vērtības ir izmērītas saskaņā ar standarta pārbaudes metodi, un vērtības var izmantot viena instrumenta salīdzināšanai ar citu.
- Deklarēto vibrāciju emisijas vērtību var arī lietot iepriekšējai vibrāciju iedarbības novērtēšanai.

PIEZĪME. Vibrāciju emisijas faktiskajā elektroinstrumenta darbināšanas laikā var atšķirties no norādītās vērtības. Lai pasargātu operatoru, lietotājam jāvalkā cimdi un dzirdes aizsargā līdzekļi atbilstoši patiesajiem darba apstākļiem.

KOMPLEKTĀCIJA

DAĻAS NOSAUKUMS	DAUDZUMS
Kultivatora papildierīce	1
Aizsargs (ar buļskrūvi)	1
Seškanšu atslēga	1
Lietošanas rokasgrāmata	1

APRAKSTS

PĀRZIŅIET SAVU KULTIVATORU (A att.)

1. UZGALIS
2. Kultivatora papildierīces vārpsta
3. Pāresumkārbā
4. Uzmava
5. Ārējie asmeņi
6. Iekšējie asmeņi
7. Stiprinājuma tapa
8. Aizsargs
9. Seškanšu atslēga
9. Šešiakampis raktas

MONTĀŽA

⚠ BRĪDINĀJUMS. Ja kāda no daļām trūkst vai ir bojāta, nelietojiet šo izstrādājumu, līdz daļas ir nomainītas. Izmantojot šo izstrādājumu, ja trūkst kāda no daļām vai arī tā ir bojāta, var rasties smagas traumas.

⚠ BRĪDINĀJUMS! Nemēģiniet pārveidot šo instrumentu vai izveidot piederumus, kas nav ieteicami lietošanai kopā ar šo instrumentu. Jebkādi šādi uzlabojumi vai pārveidojumi uzskatāmi par neatbilstošu lietošanu un var radīt bīstamus apstākļus, kas var izraisīt smagus miesas bojājumus.

⚠ BRĪDINĀJUMS! Uzstādot vai noņemot asmeni, vai veicot apkopes darbus, vienmēr valkājiet izturīgus cimdus. Esiet piesardzīgi, rīkojoties ar asmeni, un sargiet rokas no traumām, ko var izraisīt asmens.

⚠ BRĪDINĀJUMS! Nepievienojiet kultivatoram instrumentgalvu, kamēr montāža nav pilnībā pabeigta. Šo noteikumu neievērošanas rezultātā instruments var nejausi ieslēgties un izraisīt smagus miesas bojājumus.

AIZSARGA MONTĀŽA

⚠ BRĪDINĀJUMS! Uzstādiet aizsargu pirms kultivatora palīgerīces pievienošanas instrumentgalvai.

1. Atskrūvējiet un izņemiet no aizsarga skrūvi ar seškanšu atslēgu (B att.).
2. Paceliet kultivatora palīgerīces vārpstu un noņemiet no tās uzgali.
3. Salāgojiet aizsarga rievu ar metāla izcilni vārpstas galā, velkot aizsargu caur vārpstu, līdz sakrīt aizsargā esošie sviras skrūvju caurumi ar metāla izcilni (C un D att.).
4. Lai stingrāk piestiprinātu aizsargu, izmantojiet seškanšu atslēgu, ar kuru pieskrūvē buļskrūvi pulksteņrādītāja kustības virzienā.

Zemāk norādīts D attēla detaļu apraksts:

D-1	Buļskrūve
-----	-----------

KULTIVATORA PAPILDIERĪCES PIESTIPRINĀŠANA INSTRUMENTGALVAI

⚠ BRĪDINĀJUMS! Nekad nepiestipriniet vai nesalāgojiet papildierīci, kamēr darbojas instrumentgalva vai, ja tajā atrodas akumulators. Ja motors netiek apturēts un nav izņemts akumulators, jūs varat gūt smagus miesas bojājumus.

Šī kultivatora papildierīce ir paredzēta lietošanai kopā ar EGO instrumentgalvu PH1400E.

1. Apturiet motoru un izņemiet akumulatoru bloku.
2. Atskrūvējiet instrumentgalvas savienotājapskavas spārņveida pogu.
3. Ja uzgalis ir piestiprināts pie palīgierīces vārpstas, noņemiet to un saglabājiet drošā vietā vēlākai lietošanai.

Salāgojiet bultīņu uz kultivatora vārpstas ar bultīņu uz savienotājapskavas (E att.) un iespiediet kultivatora vārpstu savienotājapskavā, līdz ir skaidri dzirdama „klikšķa” skaņa (F att.).

Zemāk norādīts E attēla detaļu apraksts:

E-1	Vārpstas atbrīvošanas poga
E-2	Bultīņa uz savienotājapskavas
E-3	Spārņveida poga
E-4	Bultīņa uz papildierīces vārpstas
E-5	Sarkanā līnija

Zemāk norādīts F attēla detaļu apraksts:

F-1	Sarkanā līnija
-----	----------------

4. Viegli pavelciet vārpstu no kultivatora papildierīces, lai pārbaudītu, vai tā ir droši nofiksēta savienotājapskavā. Ja tas tā nav, pagrieziet kultivatora vārpstu uz priekšu un atpakaļ, līdz ir skaidri dzirdama „klikšķa” skaņa, kas norāda, ka tā ir nofiksējusies.
5. Pieskrūvējiet spārņveida pogu.

⚠ BRĪDINĀJUMS! Pirms instrumenta iedarbināšanas pārlicinieties, vai spārņveida poga uz savienotājapskavas ir pilnībā pieskrūvēta; lai izvairītos no nopietniem miesas bojājumiem, periodiski pārbaudiet, vai tā ir stingri pieskrūvēta.

PAPILDIERĪCES NOŅEMŠANA NO INSTRUMENTGALVAS

1. Apturiet motoru un izņemiet akumulatoru bloku.
2. Atskrūvējiet spārņveida pogu.
3. Nospiediet vārpstas atbrīvošanas pogu, pavelciet no savienotājapskavas vai pagrieziet kultivatora papildierīces vārpstu, lai to izņemtu no instrumentgalvas.

LIETOŠANA

⚠ BRĪDINĀJUMS. Iepazīstot darbu ar šo ierīci, nekļūstiet nolaidīgs. Atcerieties, ka neuzmanība sekundes daļā var radīt smagu traumu.

⚠ BRĪDINĀJUMS! Vienmēr valkājiet aizsargbrilles, kā arī dzirdes aizsarglīdzekļus. Šo noteikumu neievērošanas rezultātā acīs var tikt iesviesti svešķermeņi vai jūs varat gūt cita veida smagas traumas.

⚠ BRĪDINĀJUMS! Neizmantojiet nekādas papildierīces vai aksesuārus, kurus neiesaka šī izstrādājuma ražotājs. Šādu neapstiprinātu papildierīču vai aksesuāru lietošana var radīt nopietnus ievainojumus.

PIELIETOJUMS

Šo instrumentu var lietot tālāk norādītajam mērķim

- Dārza augsnes virskārtas drupināšanai, lai sagatavotu augsni stādīšanai un sēšanai;
- Sekļajai augsnes virskārtas kultivēšanai, lai izravētu nezāles vai uzirdinātu augsni ap augiem, lai gaiss vai ūdens vieglāk iekļūtu augsnē;
- Augsnes virskārtas pārklāšanai ar kompostu, lapām vai citiem organiskajiem mēslojumiem. Seklās augsnes virskārtas kultivēšanas rezultātā tiek atbrīvota augsnes virsējā kārtā, kas palīdz augsnei labāk absorbēt barības vielas;
- Vāgu veidošanai uzirdinātā augsnē.

PIEZĪME. Lai nesabojātu kultivatoru vai kokus, uzmanieties, lai asmeņi neiegrieztos lielajās koku saknēs. Izvairieties no pārāk dziļas kultivēšanas, jo tas var sabojāt augu saknes, kas atrodas tuvāk zemes virsējai kārtai.

KULTIVATORA PAPILDIERĪCES LIETOŠANA KOPĀ AR INSTRUMENTGALVU

⚠ BRĪDINĀJUMS! Ģērbieties atbilstīgi, lai mazinātu traumu rašanās draudus, lietojot šo instrumentu. Nevalkājiet vaļīgu apģērbu vai rotaslietas. Valkājiet acu aizsardzības līdzekļus. Valkājiet drošības apavus. Valkājiet izturīgas, garas bikses, apavus un cimdus. Nevalkājiet tsās bikses, sandales; nesaigājiet basām kājām. Turiet kultivatoru ar vienu roku uz aizmugurējā roktura, savukārt ar otru roku — aiz priekšējā palīgroktura. Iedarbināts kultivators ir jātur stingri ar abām rokām. Turiet kultivatoru ērtā pozīcijā, aizmugurējam rokturim atrodoties gurnu augstumā.

Turiet kultivatoru stingri un saglabājiet līdzsvaru, stāvot uz abām kājām (G att.)

Kultivatoru var pārvietot gan uz priekšu, gan atpakaļ, gan no kreisās uz labo, gan no labās uz kreiso pusi, vai veicot apļveida kustību. Izvēlieties savām vajadzībām vispiemērotāko metodi, kas būs atkarīga no zemes formas un izmēra, kā arī no augsnes apstākļiem.

Kultivatora pārvietošana pārmaiņus virzienā atpakaļ un uz priekšu ir īpaši piemērota cietākas augsnes iridāšanai.

Veidojot vagas, ejiet lēnām virzienā uz aizmuguri un velciet kultivatoru, lai izveidotu vagu. Ja ir jāizveido dziļākas vagas, atkārtojiet to pašu darbību tik reizi, cik tas ir nepieciešams.

PIEZĪME. Kultivēšana būs vieglāka, ja kultivatoru uzmanīgi pavilksiet savā virzienā, kamēr tas augsnē veido bedrīti.

Izsviestie materiāli var nopietni savainot operatoru vai blakus stāvošu cilvēku. Lai samazinātu traumu risku, ir svarīgi veikt turpmāk norādītos piesardzības pasākumus.

- Pārbaudiet un aizvāciet visus augsnē paslēptos svešķermeņus, piemēram, stiklu, kauliņus, akmeņus, betona gabalus, žoga stienus, metāla gabalus u.tml., kuri var tikt izsviesti vai nonākt saskarē ar asmeņiem. Izvairieties no saskares ar cietiem priekšmetiem un svešķermeņiem.
- Pārbaudiet asmeņus regulāri un bieži, lai konstatētu, vai tiem nav radušies bojājumi, kā arī pēc to sadursmes ar cietu priekšmetu. Neturpiniet strādāt ar bojātu asmeni.
- Vienmēr turiet kultivatoru ar abām rokām. Satveriet abus rokturus stingri.
- Kultivators pirms iedarbināšanas ir jāpārvieto uz darba zonu un jāiedarbina ar zemāku ātrumu.

Pirms katras lietošanas reizes pārbaudiet, vai nav bojātu un/vai nodilušu daļu. Pārbaudiet asmeņus, aizsargu un priekšējo palīgrokturi un nomainiet detaļas, ja tās ir saplaisājušas, savijušās, salocījušās vai bojātas.

Iztīriet kultivatoru pēc katras lietošanas reizes

INSTRUMENTA PALAIŠANA/APTURĒŠANA

Skatiet instrumentgalvas PH1400E operatora rokasgrāmatā sadaļu „INSTRUMENTGALVAS PALAIŠANA/APTURĒŠANA”.

APKOPE

⚠ BRĪDINĀJUMS! Ja instrumentam ir jānomaina daļas, izmantojiet tikai identiskas rezerves daļas. Jebkuru citu daļu izmantošana var radīt apdraudējumu vai izstrādājuma bojājumus. Lai garantētu drošību un uzticamību, visi remontdarbi jāveic kvalificētam servisa speciālistam.

⚠ BRĪDINĀJUMS! Ar akumulatoru darbināmiem instrumentiem nav jābūt pievienotiem strāvas avotam, tāpēc tie vienmēr ir gatavi darbam. Lai nepieļautu smagas traumas, apkopes un remontdarbu laikā, kā arī griezējierīces vai citu piederumu maiņas laikā veiciet papildu piesardzības pasākumus un esiet uzmanīgs.

⚠ BRĪDINĀJUMS! Lai nepieļautu smagas traumas, pirms apkopes un tīrīšanas darbu veikšanas, papildierīču nomaigas, kā arī pirms instruments tiek novietots uzglabāšanā izņemiet akumulatoru no instrumentgalvas un pagaidiet, kamēr visi asmeņi ir pilnībā apstājušies.

⚠ BRĪDINĀJUMS! Uzstādot vai noņemot asmeni, vai arī veicot apkopi, vienmēr valkājiet izturīgus cimdus. Esiet piesardzīgi, rīkojoties ar asmeni, un sargiet rokas no traumām, ko var izraisīt asmens.

VISPĀRĒJĀ APKOPE

⚠ BRĪDINĀJUMS! Nekādā gadījumā neļaujiet bremžu šķidrumiem, benzīnam, naftas produktiem, piesūcināšanas eļļām u. tml. vielām nonākt saskarē ar plastmasas daļām. Ķīmiskā iedarbība var sabojāt, pavājināt vai iznīcināt plastmasu, kā rezultātā varat gūt nopietnus ievainojumus.

⚠ BRĪDINĀJUMS! Tīrīšanas laikā kultivatoru NEDRĪKST iemērkāt ūdenī vai kādā citā šķīdumā. Netīriet instrumentu ar spiediena mazgātāju. Spēcīgā ūdens strūkļa var sabojāt instrumenta daļas.

- Pārbaudiet, vai ir pieskrūvēti visi uzgriežņi un skrūves, lai garantētu drošu griezējinstrumenta darba stāvokli.
- Lai mazinātu aizdegšanās risku, motorā, trokšņa slāpētājā un akumulatora nodalījumā nedrīkst būt veģetatīvais materiāls, kā arī pārāk daudz uzkrājusies smērviela.
- Drošības nolūkos nodilušās vai bojātās daļas ir jānomaina.

ASMENS APKOPE

- Regulāri ieeļļojiet asmeņus ar pretkorozijas eļļu.
- Ja kāds no asmeņiem ir jānomaina nodiluma dēļ, nomainiet visus četrus asmeņus reizē, lai nodrošinātu vislabāko veiktspēju.

Visi kultivatora apkopes darbi, izņemot šajos apkopes norādījumos uzskaitītos darbus, jāveic kompetentam kultivatora servisa personālam.

Nomaīņa

Kultivatoram ir četri asmeņi — divi iekšējie un divi ārējie asmeņi. Lai kultivators darbotos pareizi, asmeņi jāuzstāda pareizā virzienā. Uz asmeņiem ir norādīti burti L (kreisā puse) un R (labā puse) (skat. H un I att.).

Zemāk norādīts H un I attēla detaļu apraksts:

H-1	Piedziņas vārpsta	H-7	Stiprinājuma tapa
H-2	Iekšējā uzmava	I-1	Stiprinājuma tapa
H-3	Ārējā uzmava	I-2	„R” uz ārējā asmens
H-4	Burts „L”	I-3	„R” uz iekšējā asmens
H-5	„L” uz iekšējā asmens	I-4	Burts „R”
H-6	„L” uz ārējā asmens		

PIEZĪME. ASMEŅI, KURU ZARI VĒRSTI ABOS VIRZIENOS, IR JĀUZSTĀDA VIRZIENĀ UZ IEKŠPUSI, KAS IR VISTUVĀK PĀRNESUMKĀRBAI.

1. Valkājiet cimdus.
2. Uzlieciet iekšējo asmeni ar burtu „L”, kura zari atrodas abos virzienos, pa kreisi no pārnēsukārības.
3. Uzlieciet ārējo asmeni ar burtu „L” (zari vērsti tikai vienā virzienā) tajā pašā pusē, lai ārējā uzmava būtu vērsta pret iekšējo asmeni.
4. Lai piestiprinātu asmeni pie piedziņas vārpstas, ievietojiet stiprinājuma tapu bloķēšanas atverē-1. Skatīt J, K, L un N attēlu.
5. Pagrieziet instrumentu ar uzstādītā asmens pusi pret zemi.
6. Uzlieciet iekšējo asmeni ar burtu „R”, kura zari atrodas abos virzienos, pa labi no pārnēsukārības.
7. Uzlieciet ārējo asmeni ar burtu „R” (zari vērsti tikai vienā virzienā) tajā pašā pusē, lai ārējā uzmava būtu vērsta pret iekšējo asmeni.
8. Lai piestiprinātu asmeni pie piedziņas vārpstas, ielieciet stiprinājuma tapu bloķēšanas atverē-1 un pēc tam pagrieziet tapu par 90°. Skatīt J, K, L un N attēlu.

⚠ BRĪDINĀJUMS! Ja asmeņi nebūs pareizi uzstādīti, instruments nedarbosies pareizi vai radīs draudus operatoram vai apkārtējiem cilvēkiem. Ja kultivēšanas laikā pamanāt problēmas, pārbaudiet, vai asmens ir pareizi uzstādīts.

ASMEŅI, KURU ZARI IR VĒRSTI ABOS VIRZIENOS,

IR JĀUZSTĀDA UZ IEKŠPUSI, KAS IR VISTUVĀK PĀRNESUMKĀRBAI.

Regulēšana

Kultivējot norobežotā laukumā vai starp vagām, kultivatoru var izmantot tikai ar uzstādītiem iekšējiem asmeņiem.

Lai noņemtu abus ārējos asmeņus (M att.), uzvelciet cimdus un izņemiet abas stiprinājuma tapas, un pēc tam ievietojiet stiprinājuma tapas bloķēšanas atverē-2 (N un O att.).

Zemāk norādīts N attēla detaļu apraksts:

N-1	Bloķēšanas atvere – 1
N-2	Bloķēšanas atvere – 2

PIEZĪME. Neuzspiediet vai neraujiet asmeņus no piedziņas vārpstas ar spēku. Ja asmeņus nevar viegli noņemt, uzklājiet uz vārpstas nedaudz piesūcināšanas eļļu. Kad asmeņi ir uzlikti, notīriet un ieeļļojiet piedziņas vārpstu un asmeņus.

INSTRUMENTA TĪRĪŠANA

Kultivēšanas laikā augu daļas, piemēram, saknes, var stingri aptīties ap rotējošiem asmeņiem vai iekerties starp tiem. Lai notīrītu rotējošos asmeņus:

- izņemiet akumulatoru;
- uzvelciet cimdus. Izņemiet saknes, augsni vai augus, kas uzkrājušies uz asmens, aizsarga vai pārnēsukārības. Lai instrumentu varētu rūpīgi notīrīt, noņemiet asmeņus un aizsargu. Detalizētāku informāciju par daļu nomaīņu skatīt iepriekš norādītajā sadaļā.

„ASMEŅU NOMAIŅA VAI REGULĒŠANA”.

- Noslaukiet instrumenta virsmu ar tīru drānu, kas samitrināta ar siltu ziepju ūdeni.

INSTRUMENTA UZGLABĀŠANA

- Izņemiet no instrumenta akumulatoru bloku.
- Izņemiet kultivatora papildierīci no instrumentgalvas un uzlieciet papildierīces vārpstai uzgali, lai savienotājapskavā neiekļūtu netīrumi.
- Uzglabājiet instrumentu sausā, labi vēdināmā, aizslēdzamā vai augstā — bērniem nepieejamā — vietā. Neuzglabājiet instrumentu blakus mēslojumam, benzīnam vai citām ķīmikālijām.

Apkārtējās vides aizsardzība



Neutilizējiet elektrisko aprīkojumu, akumulatora lādētāju un akumulatorus/ atkārtoti uzlādējamās baterijas sadzīves atkritumos. Saskaņā ar Eiropas Parlamenta un Padomes Direktīvu Nr. 2012/19/ES, kā arī Direktīvu Nr. 2006/66/EK nederīgas elektriskās un elektroniskās iekārtas un bojāti vai izlietoti akumulatori/baterijas jāsavāc atsevišķi. Ja elektriskās ierīces tiek utilizētas atkritumu poligonos vai izgāztuvēs, bīstamās vielas var nonākt gruntsūdenī un līdz ar to barības ķēdē, tādējādi radot kaitējumu jūsu veselībai un labsajūtai.

KĻŪMJU NOVĒRŠANA

PROBLĒMA	CĒĻONIS	RISINĀJUMS
Kultivatoru nevar iedarbināt.	<ul style="list-style-type: none"> ■ Instrumentgalvā nav pareizi ievietots akumulatoru bloks. ■ Starp instrumentgalvu un akumulatoru bloku nav elektriskā savienojuma. ■ Akumulatoru bloks ir izlādējies. ■ Vienlaikus nav nospiesta bloķēšanas svira un pārslēdzējs. 	<ul style="list-style-type: none"> ■ Ievietojiet instrumentgalvā akumulatoru bloku. ■ Izņemiet akumulatoru, pārbaudiet kontaktus un ievietojiet atpakaļ, līdz tas nofiksējas. ■ Uzlādējiet akumulatoru bloku ar šajā rokasgrāmatā norādītajiem EGO lādētājiem. ■ Nospiediet bloķēšanas sviru un pieturiet, pēc tam nospiediet pārslēdzēju, lai ieslēgtu instrumentu.
Kultivēšanas laikā kultivators pēkšņi pārstāj darboties.	<ul style="list-style-type: none"> ■ Motora pārslodze. ■ Akumulators ir pārāk karsts. ■ Asmens ir saķīlējies. ■ Akumulatoru bloks ir atvienots no instrumenta. ■ Izlādējies akumulatoru bloks 	<ul style="list-style-type: none"> ■ Motors pēc noslogojuma atbrīvošanas atsāks darboties. Lai darbs ritētu bez nevajadzīgiem pārtraukumiem, samaziniet kultivatora slodzi un izvairieties no dziļās kultivēšanas; tā vietā veidojiet vagu dziļumu pakāpeniski. ■ Ļaujiet akumulatoram vai instrumentgalvai atdzist, līdz temperatūra nokrītas zemāk par 67 °C. ■ Izņemiet akumulatoru no instrumentgalvas, manuāli pagrieziet asmeņus uz priekšu un atpakaļ, lai izņemtu akmeņus vai citus šķēršļus, kas iekērušies starp asmeņiem vai starp asmeni un pāmesumkārbu. ■ Ielieciet atpakaļ akumulatoru bloku. ■ Uzlādējiet akumulatoru bloku ar šajā rokasgrāmatā norādītajiem EGO lādētājiem.

LV

GARANTIJA

EGO GARANTIJAS POLITIKA

Lūdzu, apmeklējiet firmas vietni egopowerplus.com, kur pieejama pilna EGO Garantijas politikas noteikumu un nosacījumu versija.

ΔΙΑΒΑΣΤΕ ΟΛΕΣ ΤΙΣ ΟΔΗΓΙΕΣ!



ΔΙΑΒΑΣΤΕ ΤΟ ΕΓΧΕΙΡΙΔΙΟ ΧΡΗΣΗΣ

⚠ Υπολειπόμενοι κίνδυνοι! Άνθρωποι που φέρουν ηλεκτρονικές συσκευές όπως βηματοδότες πρέπει να συμβουλευθούνται τους γιατρούς τους πριν τη χρήση αυτού του προϊόντος. Η λειτουργία ηλεκτρικών εξοπλισμών κοντά σε βηματοδότη μπορεί να προκαλέσει παρεμβολές ή βλάβη στον βηματοδότη.

⚠ ΠΡΟΕΙΔΟΠΟΙΗΣΗ: Για να διασφαλίσετε την ασφάλεια και την αξιοπιστία, όλες οι επισκευές πρέπει να διεξάγονται από εξειδικευμένο τεχνικό του σέρβις.

ΣΥΜΒΟΛΑ ΑΣΦΑΛΕΙΑΣ

Ο σκοπός των συμβόλων ασφαλείας είναι να σας τραβήξουν την προσοχή για ενδεχόμενους κινδύνους. Προσέξτε και κατανοήστε τα σύμβολα ασφαλείας και τις επεξηγήσεις που τα συνοδεύουν. Οι προειδοποιήσεις συμβόλων από μόνες τους δεν εξαλείφουν κανέναν κίνδυνο. Οι οδηγίες και οι προειδοποιήσεις που παρέχουν δεν υποκαθιστούν τα μέτρα σωστής πρόληψης ατυχημάτων.

⚠ ΠΡΟΕΙΔΟΠΟΙΗΣΗ: Βεβαιωθείτε ότι έχετε διαβάσει και κατανοήσει όλες τις οδηγίες ασφαλείας στο παρόν Εγχειρίδιο χειριστή, συμπεριλαμβανομένων όλων των συμβόλων ασφαλείας όπως «**ΚΙΝΔΥΝΟΣ**», «**ΠΡΟΕΙΔΟΠΟΙΗΣΗ**» και «**ΠΡΟΣΟΧΗ**», προτού χρησιμοποιήσετε αυτό το εργαλείο. Η μη τήρηση όλων των παρακάτω οδηγιών μπορεί να οδηγήσει σε ηλεκτροπληξία, τυρκαγιά ή/και σοβαρό ατομικό τραυματισμό.

ΣΗΜΑΣΙΑ ΣΥΜΒΟΛΩΝ

⚠ ΣΥΜΒΟΛΟ ΕΙΔΟΠΟΙΗΣΗΣ ΑΣΦΑΛΕΙΑΣ: Υποδηλώνει **ΚΙΝΔΥΝΟ**, **ΠΡΟΕΙΔΟΠΟΙΗΣΗ**, ή **ΠΡΟΣΟΧΗ**. Μπορεί να χρησιμοποιείται σε συνδυασμό με άλλα σύμβολα ή εικονογράμματα.





⚠ Προειδοποίηση! Η λειτουργία ηλεκτρικών εργαλείων μπορεί να επιφέρει εκτόξευση ξένων αντικειμένων στα μάτια σας, με αποτέλεσμα σοβαρή βλάβη σε αυτά. Προτού ξεκινήσετε τη λειτουργία του ηλεκτρικού εργαλείου φοράτε πάντα προστατευτικά γυαλιά ή γυαλιά με πλευρική προστασία και εφόσον απαιτείται πλήρη προστατευτική προσωπίδα. Συστήνουμε μια προσωπίδα ασφαλείας ευρείας όρασης για χρήση πάνω από γυαλιά ή συνθήκη προστατευτικά γυαλιά με πλευρική προστασία.

ΟΔΗΓΙΕΣ ΑΣΦΑΛΕΙΑΣ

Αυτή η σελίδα απεικονίζει και περιγράφει τα σύμβολα ασφαλείας που υπάρχουν ενδεχομένως σε αυτό το προϊόν. Διαβάζετε, κατανοείτε και ακολουθείτε όλες τις οδηγίες στη μηχανή προτού προσπαθήσετε να διεξάγετε εργασίες συναρμολόγησης και λειτουργίας.

	Ειδοποίηση ασφαλείας	Υποδηλώνει ενδεχόμενο κίνδυνο ατομικού τραυματισμού.
	Διαβάστε και κατανοήστε το εγχειρίδιο χρήσης	Προκειμένου να μειωθεί ο κίνδυνος τραυματισμού, ο χρήστης πρέπει να διαβάσει και να κατανοήσει το εγχειρίδιο χρήσης προτού χρησιμοποιήσει αυτό το προϊόν.
	Να φοράτε προστατευτικά ακοής	Φοράτε πάντα προστασία ακοής όταν χρησιμοποιείτε αυτό το προϊόν
	Φοράτε προστατευτικά γυαλιά	Φοράτε πάντοτε προστατευτικά γυαλιά ή γυαλιά ασφαλείας με πλευρική προστασία κατά τη λειτουργία αυτού του προϊόντος.

GR

	Φοράτε προστατευτικά γάντια	Προστατεύετε τα χέρια σας με γάντια κατά το χειρισμό λεπίδων. Τα ανθεκτικά, αντιολισθητικά γάντια βελτιώνουν το κράτημα και προστατεύουν τα χέρια σας.
	Φοράτε υποδήματα ασφαλείας	Φοράτε αντιολισθητικά υποδήματα ασφαλείας όταν χρησιμοποιείτε αυτό το εξοπλισμό.
	Εξοστρακισμός	Αντικείμενα που πετούνται μπορεί να εξοστρακιστούν και να προκύψει ατομικός τραυματισμός ή ζημιά στην ιδιοκτησία.
	Τα πόδια σας να παραμένουν μακριά	Για να μειώσετε τον κίνδυνο τραυματισμών κοπής διατηρείτε τα πόδια μακριά από τις περιστρεφόμενες λεπίδες.
	Διατηρείτε μακριά τους παρευρισκόμενους	Διατηρείτε τους παρευρισκόμενους σε ασφαλή απόσταση
	CE	Αυτό το προϊόν συμφωνεί με τις ισχύουσες οδηγίες της ΕΚ.
	WEEE	Τα άχρηστα ηλεκτρικά προϊόντα δεν πρέπει να απορρίπτονται στα οικιακά απόβλητα. Παραδίδετε τα σε μια εξουσιοδοτημένη εταιρεία ανακύκλωσης.
	Θόρυβος	Εγγυημένη στάθμη ηχητικής ισχύος.
	Μην εκθέτετε στη βροχή	Μη χρησιμοποιείτε στη βροχή ή μην αφήνετε σε εξωτερικό χώρο ενώ βρέχει.
IPX4	Σύμβολο IP	Βαθμός προστασίας 4 από διείσδυση νερού
V	Volt	Τάση

mm	Χιλιοστό	Μήκος ή διαστάσεις
kg	Κιλό	Βάρος

ΓΕΝΙΚΕΣ ΠΡΟΕΙΔΟΠΟΙΗΣΕΙΣ ΑΣΦΑΛΕΙΑΣ ΓΙΑ ΗΛΕΚΤΡΙΚΑ ΕΡΓΑΛΕΙΑ

⚠ ΠΡΟΕΙΔΟΠΟΙΗΣΗ Μελετήστε όλες τις προειδοποιήσεις ασφάλειας, τις οδηγίες, τις εικόνες και τις προδιαγραφές που συνοδεύουν αυτό το ηλεκτρικό εργαλείο. Αν δεν τηρηθούν όλες οι οδηγίες που αναφέρονται παρακάτω, μπορεί να προκληθεί ηλεκτροπληξία, φωτιά και/ή σοβαρός τραυματισμός.

Φυλάξτε όλες τις προειδοποιήσεις και τις οδηγίες για μελλοντική αναφορά.

ΑΣΦΑΛΕΙΑ ΣΤΟΝ ΧΩΡΟ ΕΡΓΑΣΙΑΣ

- Διατηρείτε την περιοχή εργασίας καθαρή και καλά φωτισμένη. Οι ακατάστατοι χώροι και οι χώροι με κακό φωτισμό ενισχύουν την πιθανότητα πρόκλησης ατυχημάτων.
- Μη χρησιμοποιείτε ηλεκτρικά εργαλεία σε περιβάλλον με εύφλεκτη ατμόσφαιρα, όπως όταν υπάρχουν εύφλεκτα υγρά, αέρια ή σκόνη. Τα ηλεκτρικά εργαλεία δημιουργούν σπινθήρες που μπορεί να αναφλέξουν τη σκόνη ή τις αναθυμιάσεις.
- Κρατάτε τα παιδιά και τους παρευρισκόμενους μακριά όταν χρησιμοποιείτε το ηλεκτρικό εργαλείο. Η απόσταση της προσοχής σας μπορεί να σας κάνει να χάσετε τον έλεγχο του ηλεκτρικού εργαλείου.

ΗΛΕΚΤΡΙΚΗ ΑΣΦΑΛΕΙΑ

- Μην εκθέτετε τα ηλεκτρικά εργαλεία σε βροχή ή συνθήκες υγρασίας. Αν εισχωρήσει νερό μέσα στο ηλεκτρικό εργαλείο θα αυξηθεί ο κίνδυνος ηλεκτροπληξίας.

ΠΡΟΣΩΠΙΚΗ ΑΣΦΑΛΕΙΑ

- Να είστε σε εγρήγορση, να έχετε την προσοχή σας σε αυτό που κάνετε και να χρησιμοποιείτε κοινή λογική κατά τη χρήση ενός ηλεκτρικού εργαλείου. Μη χρησιμοποιείτε ηλεκτρικά εργαλεία όταν είστε κουρασμένοι ή κάτω από την επήρεια ναρκωτικών, αλκοόλ ή φαρμάκων. Μια στιγμή απροσεξίας κατά τη χρήση του ηλεκτρικού εργαλείου μπορεί να οδηγήσει σε σοβαρό ατομικό τραυματισμό.
- Χρησιμοποιείτε πάντοτε μέσα ατομικής προστασίας. Η χρήση των κατάλληλων μέσων ατομικής προστασίας υπό τις ανάλογες συνθήκες, όπως προστασία για τα μάτια, μάσκα σκόνης, αντιολισθητικά παπούτσια ασφαλείας, κράνος και/ή ωτοασπίδες, μειώνει τον κίνδυνο τραυματισμού.

GR

- Αποτρέψτε την ακούσια θέση σε λειτουργία. Βεβαιωθείτε ότι ο διακόπτης βρίσκεται στη θέση απενεργοποίησης (OFF) προτού να συνδέσετε το ηλεκτρικό εργαλείο στη μπαταρία, καθώς και όταν σηκώνετε ή μεταφέρετε το εργαλείο. Η μεταφορά ηλεκτρικών εργαλείων με το δάχτυλο στον διακόπτη ή η σύνδεσή τους στο ρεύμα με το διακόπτη στο ON, αυξάνουν την πιθανότητα πρόκλησης ατυχημάτων.
 - Αφαιρέστε όλα τα κλειδιά ρύθμισης και τα μηχανικά κλειδιά πριν θέσετε σε λειτουργία το ηλεκτρικό εργαλείο. Τυχόν εργαλεία ρύθμισης ή μηχανικά κλειδιά σε κάποιο από τα κινούμενα τμήματα του ηλεκτρικού εργαλείου μπορούν να προκαλέσουν σωματικές βλάβες.
 - Μην υπερεκτείνετε. Πατάτε πάντα σταθερά και διατηρείτε την ισορροπία σας. Έτσι θα έχετε καλύτερο έλεγχο του ηλεκτρικού εργαλείου σε απρόβλεπτες καταστάσεις.
 - Φοράτε κατάλληλα ρούχα. Μη φοράτε φαρδιά ρούχα ή κοσμήματα. Κρατήστε τα μαλλιά και τα ρούχα σας μακριά από κινούμενα μέρη. Τα φαρδιά ρούχα, τα κοσμήματα ή τα μακριά μαλλιά ενδέχεται να εγκλωβιστούν σε κινούμενα μέρη.
 - Εφόσον τα ηλεκτρικά εργαλεία διαθέτουν σύνδεση με εξωτερική συσκευή απομάκρυνσης ή αναρρόφησης σκόνης, βεβαιωθείτε πως είναι συνδεδεμένη και χρησιμοποιείται σωστά. Αυτές οι συσκευές μπορούν να περιορίσουν τους κινδύνους που σχετίζονται με τη σκόνη.
 - Ακόμα κι αν χρησιμοποιείτε συχνά ηλεκτρικά εργαλεία, μην εφησυχάζετε και μην παραβλέψετε τους βασικούς κανόνες ασφαλείας. Μια στιγμή απροσεξίας μπορεί να προκαλέσει σοβαρό τραυματισμό.
- ΧΡΗΣΗ ΚΑΙ ΦΡΟΝΤΙΔΑ ΤΟΥ ΕΡΓΑΛΕΙΟΥ**
- Μην ασκείτε υπερβολική δύναμη στο ηλεκτρικό εργαλείο. Χρησιμοποιείτε το σωστό ηλεκτρικό εργαλείο για την εργασία σας. Το σωστό ηλεκτρικό εργαλείο θα κάνει την εργασία καλύτερα και ασφαλέστερα στον ρυθμό για τον οποίο έχει σχεδιαστεί.
 - Μη χρησιμοποιείτε το ηλεκτρικό εργαλείο αν ο διακόπτης δεν μπορεί να το ενεργοποιήσει και να το απενεργοποιήσει. Οποιοδήποτε ηλεκτρικό εργαλείο που δεν μπορεί να ελεγχθεί με τον διακόπτη είναι επικίνδυνο και πρέπει να επισκευαστεί.
 - Αφαιρέστε τη συστοιχία μπαταριών, εφόσον είναι αποσπώμενη, από το ηλεκτρικό εργαλείο και/ή ενεργοποιήστε τυχόν συσκευή που απενεργοποιεί την μπαταρία, πριν από την αφαίρεση εγκλωβισμένου υλικού, την πραγματοποίηση ρυθμίσεων, την αλλαγή εξαρτημάτων, τον καθαρισμό ή την αποθήκευση ηλεκτρικών εργαλείων. Με αυτό τον τρόπο, περιορίζεται ο κίνδυνος να ενεργοποιηθεί κατά λάθος το ηλεκτρικό εργαλείο.
 - Αποθηκεύετε τα ηλεκτρικά εργαλεία που δεν χρησιμοποιείτε σε μέρος όπου δεν πηλασιάζουν παιδιά και μην αφήνετε να χρησιμοποιηθούν από άτομα που δεν είναι εξοικειωμένα με αυτά ή με τις οδηγίες τους. Τα ηλεκτρικά εργαλεία αποτελούν κίνδυνο όταν χρησιμοποιούνται από ανεκπαίδευτους χρήστες.
 - Συντηρείτε σωστά τα ηλεκτρικά εργαλεία και τα βοηθητικά τους εξαρτήματα. Ελέγχετε για κακή ευθυγράμμιση ή εμπλοκή των κινούμενων εξαρτημάτων, για σπασμένα εξαρτήματα και για κάθε άλλη κατάσταση που μπορεί να επηρεάσει τη λειτουργία του ηλεκτρικού εργαλείου. Αν υποστεί ζημιά το ηλεκτρικό εργαλείο, επισκευάστε το πριν το χρησιμοποιήσετε. Πολλά ατυχήματα οφείλονται σε κακώς συντηρημένα ηλεκτρικά εργαλεία και εξαρτήματα.
 - Διατηρείτε τα κοπτικά εξαρτήματα αιχμηρά και καθαρά. Τα κοπτικά εργαλεία που έχουν συντηρηθεί σωστά και διαθέτουν αιχμηρές κόψεις είναι λιγότερο πιθανό να μπλοκάρουν, ενώ είναι ευκολότερα στο χειρισμό.
 - Χρησιμοποιείτε το ηλεκτρικό εργαλείο, τα εξαρτήματα, τα τρυπάνια κτλ. σύμφωνα με τις παρούσες οδηγίες, λαμβάνοντας υπόψη τις συνθήκες εργασίας, όπως και την προς εκτέλεση εργασία. Η χρήση ενός ηλεκτρικού εργαλείου για λειτουργίες διαφορετικές από αυτές για τις οποίες προορίζεται είναι πιθανόν να οδηγήσει σε επικίνδυνες καταστάσεις.
 - Διατηρείτε τις λαβές και τις επιφάνειες συγκράτησης του εργαλείου στεγνές και καθαρές, χωρίς λάδια και γράσα. Ολισθηρές λαβές και επιφάνειες πιασίματος μπορούν να οδηγήσουν σε μη ασφαλή χειρισμό ή/και απώλεια του ελέγχου του εργαλείου.
 - Διατηρείτε πάντοτε τα καλώδια μακριά από την περιοχή εργασίας του εργαλείου. Κατά τη χρήση ενδέχεται να υπάρχουν κρυμμένα καλώδια που μπορούν να κοπούν κατά λάθος από το εργαλείο.

ΧΡΗΣΗ ΚΑΙ ΦΡΟΝΤΙΔΑ ΤΟΥ ΕΡΓΑΛΕΙΟΥ

- **Επιναφορτίζετε το εργαλείο μόνο με το φορτιστή που ορίζεται από τον κατασκευαστή.** Κάποιος φορτιστής που είναι κατάλληλος για έναν τύπο μπαταρίας μπορεί να δημιουργήσει κίνδυνο πυρκαγιάς εάν χρησιμοποιηθεί με άλλον τύπο μπαταρίας.
- **Χρησιμοποιήστε το ηλεκτρικό εργαλείο μόνο με τη συγκεκριμένη συστοιχία μπαταριών που προορίζεται για αυτό.** Εάν χρησιμοποιηθεί οποιαδήποτε άλλη συστοιχία μπαταριών, μπορεί να προκληθεί τραυματισμός και πυρκαγιά.
- **Όταν η μπαταρία δεν χρησιμοποιείται, φυλάσσετε τη μακριά από μεταλλικά αντικείμενα όπως συνδετήρες, νομίσματα, κλειδιά, καρφιά, βίδες ή άλλα μικρά μεταλλικά αντικείμενα, τα οποία μπορεί να δημιουργήσουν σύνδεση μεταξύ των ακροδεκτών.** Το βραχυκύκλωμα των ακροδεκτών της μπαταρίας μεταξύ τους ενδέχεται να προκαλέσει έγκαιμα ή πυρκαγιά.
- **Σε συνθήκες κακής χρήσης, μπορεί να εκτοξευτούν υγρά από την μπαταρία. Να αποφεύγετε την επαφή με αυτά. Σε περίπτωση που υπάρξει επαφή κατά λάθος, ξεπλύνετε με νερό. Αν το υγρό έρθει σε επαφή με τα μάτια, αναζητήστε επιπλέον ιατρική βοήθεια.** Τα υγρά που εκτινάσσονται από την μπαταρία ενδέχεται να προκαλέσουν ερεθισμό ή έγκαυμα.
- **Μη χρησιμοποιείτε τη συστοιχία μπαταριών ή το εργαλείο εάν έχουν υποστεί ζημιά ή έχουν τροποποιηθεί.** Οι μπαταρίες που έχουν υποστεί ζημιά ή έχουν τροποποιηθεί μπορεί να έχουν απρόβλεπτη συμπεριφορά και να προκαλέσουν φωτιά, έκρηξη ή τραυματισμό.
- **Η συστοιχία μπαταριών και το εργαλείο δεν πρέπει να εκτίθενται σε φωτιά ή υπερβολικά υψηλή θερμοκρασία.** Η έκθεση σε φωτιά ή σε θερμοκρασία πάνω από 130 °C μπορεί να προκαλέσει έκρηξη.
- **Τηρείτε όλες τις οδηγίες για τη φόρτιση και μη φορτίζετε τη συστοιχία μπαταριών ή το εργαλείο εκτός του εύρους θερμοκρασίας που αναφέρεται στις οδηγίες.** Αν η φόρτιση δεν γίνει σωστά ή πραγματοποιηθεί εκτός του καθορισμένου εύρους θερμοκρασίας, μπορεί να υποστεί ζημιά η μπαταρία και να προκληθεί φωτιά.

ΛΕΣΣ ΠΡΟΕΙΔΟΠΟΙΗΣΕΙΣ ΑΣΦΑΛΕΙΑΣ

ΕΚΠΑΙΔΕΥΣΗ

- Διαβάστε με προσοχή όλες τις οδηγίες. Εξοικειωθείτε με τα χειριστήρια και τη σωστή χρήση του μηχανήματος.

- Μην επιτρέπετε ποτέ σε άτομα μη εξοικειωμένα με αυτές τις οδηγίες ή σε παιδιά να χρησιμοποιήσουν το μηχανήμα. Οι τοπικοί κανονισμοί ενδέχεται να επιβάλλουν περιορισμό στην ηλικία του χειριστή.
- Μην εργάζεστε όταν υπάρχουν κοντά άνθρωποι, ιδιαίτερα παιδιά ή κατοικίδια ζώα.
- Έχετε υπόψη σας ότι ο χειριστής ή ο χρήστης είναι αποκλειστικά υπεύθυνος για ατυχήματα ή κινδύνους που προκύπτουν προς άλλα άτομα ή την περιουσία τους.

ΠΡΟΕΤΟΙΜΑΣΙΑ

- Όταν εργάζεστε, φοράτε πάντα ανθεκτικά παπούτσια και μακρύ παντελόνι. Μη χρησιμοποιήσετε τη συσκευή ξυπόλητοι ή όταν φοράτε ανοιχτά σανδάλια.
- Επιθεωρήστε διεξοδικά τον χώρο στον οποίο θα χρησιμοποιηθεί το μηχανήμα και απομακρύνετε όλα τα αντικείμενα που μπορεί να πεταχτούν από αυτό
- Πριν τη χρήση ελέγχετε πάντα οπτικά και βεβαιώνετε ότι τα εργαλεία δεν είναι φθαρμένα ή χαλασμένα. Να αντικαθιστάτε φθαρμένα στοιχεία και βίδες ταυτόχρονα ώστε να διασφαλίσετε την ισορροπία.

ΛΕΙΤΟΥΡΓΙΑ

- Μη λειτουργείτε το μοτέρ σε κλειστό χώρο όπου μπορεί να συγκεντρωθούν επικίνδυνοι ατμοί μονοξειδίου του άνθρακα
- Να εργάζεστε μόνο με το φως της ημέρας ή με καλό τεχνητό φωτισμό.
- Πατάτε πάντα σταθερά πάνω σε επικλινές έδαφος
- Πάντα να περπατάτε, ποτέ μην τρέχετε με το μηχανήμα.
- Όταν χρησιμοποιείτε τροχοφόρα περιστροφικά μηχανήματα, να εργάζεστε κατά μήκος του κεκλιμένου εδάφους, ποτέ προς τα πάνω ή κάτω.
- Να είστε ιδιαίτερα προσεκτικοί όταν αλλάζετε κατεύθυνση στις πλαγιές.
- Μην εργάζεστε σε πολύ απότομο επικλινές έδαφος.
- Προσέχετε πολύ όταν γυρίζετε ανάποδα ή τραβάτε το μηχανήμα προς το μέρος σας.
- Μην αλλάζετε τις ρυθμίσεις του ρυθμιστή επιτάχυνσης λειτουργίας κινητήρα ή κάνετε υπέρβαση ταχύτητας του μοτέρ.
- Ξεκινάτε το μοτέρ σύμφωνα με τις οδηγίες του κατασκευαστή και έχοντας τα πόδια σας αρκετά μακριά από το εργαλείο.
- Μη βάζετε τα χέρια ή τα πόδια σας κοντά ή κάτω από τα περιστρεφόμενα εξαρτήματα.
- Ποτέ μη σηκώνετε ή μεταφέρετε το μηχανήμα όταν το μοτέρ βρίσκεται σε λειτουργία.

- Να χρησιμοποιείται μόνο με τις συστοιχίες μπαταριών και τους φορτιστές που αναφέρονται στην εικ. Α.

ΛΕΙΤΟΥΡΓΙΑ ΣΕ ΕΠΙΦΑΝΕΙΑ ΜΕ ΚΛΙΣΗ:

Τα εδάφη με κλίση αποτελούν σημαντικό παράγοντα σε σχέση με ατυχήματα ολίσθησης και πτώσης, τα οποία μπορεί να οδηγήσουν σε σοβαρούς τραυματισμούς. Πατάτε πάντα σταθερά πάνω σε επικλινές έδαφος. Η χρήση σε εδάφη με κλίση απαιτεί επιπλέον προσοχή. Εάν αισθάνεστε αστάθεια σε επιφάνεια με κλίση, μη χρησιμοποιείτε το μηχάνημα.

- Προσέχετε οπές, αυλάκια, πέτρες, κρυμμένα αντικείμενα ή προεξοχές από τα οποία μπορεί να γλιστρήσετε ή σκοντάψετε. Το ψηλό γρασίδι μπορεί να κρύβει τα εμπόδια.

ΣΕΡΒΙΣ

- Η συντήρηση του ηλεκτρικού εργαλείου σας πρέπει να γίνεται από εξειδικευμένο τεχνικό επισκευών, χρησιμοποιώντας μόνο τα ίδια ανταλλακτικά. Έτσι διατηρείται η ασφαλής λειτουργία του ηλεκτρικού εργαλείου.
- Μην επιχειρείτε να επισκευάσετε συστοιχία μπαταριών που έχει υποστεί ζημιά. Η συστοιχία μπαταριών πρέπει να επισκευάζεται μόνο από τον κατασκευαστή ή από εξουσιοδοτημένα κέντρα σέρβις.

⚠ ΠΡΟΕΙΔΟΠΟΙΗΣΗ: Μελετήστε όλες τις προειδοποιήσεις ασφάλειας, τις οδηγίες, τις εικόνες και τις προδιαγραφές που συνοδεύουν αυτό το ηλεκτρικό εργαλείο. Αν δεν τηρηθούν όλες οι οδηγίες που αναφέρονται παρακάτω, μπορεί να προκληθεί ηλεκτροπληξία, φωτιά και/ή σοβαρός τραυματισμός. Φυλάξτε όλες τις προειδοποιήσεις και τις οδηγίες για μελλοντική αναφορά.

ΦΥΛΑΞΤΕ ΑΥΤΕΣ ΤΙΣ ΟΔΗΓΙΕΣ!

ΠΡΟΔΙΑΓΡΑΦΕΣ

Πλάτος οργώματος	240 mm
Βάθος οργώματος	215 mm
Μέγεθος λεπίδας	215 mm
Θερμοκρασία λειτουργίας	0°C-40°C
Θερμοκρασία αποθήκευσης	-20°C-70°C
Βάρος (συμπεριλαμβανομένου του προστατευτικού)	3,9 kg
Μετρημένη στάθμη ηχητικής ισχύος L_{WA}	87,6 dB(A) K=2,02 dB(A)

Στάθμη ηχητικής πίεσης στο αφτί του χειριστή L_{PA}	77,0 dB(A) K=3 dB(A)	
Εγγυημένη στάθμη ηχητικής ισχύος L_{WA} (μετρημένη σύμφωνα με την 2000/14/EC)	90 dB(A)	
Αξιολόγηση δονήσεων a_h :	Λαβή μπροστινής υποβοήθησης	0,94 m/s ² K= 1,5 m/s ²
	Οπίσθια λαβή	1,24 m/s ² K= 1,5 m/s ²

- Οι παραπάνω παράμετροι έχουν ελεγχθεί και μετρηθεί με εξοπλισμό ηλεκτρικής κεφαλής PH1400E.
- Η αναφερόμενη συνολική τιμή κραδασμών έχει μετρηθεί σύμφωνα με την πρότυπη μέθοδο ελέγχου και μπορεί να χρησιμοποιηθεί για τη σύγκριση ενός εργαλείου με κάποιο άλλο.
- Η αναφερόμενη συνολική τιμή κραδασμών μπορεί να χρησιμοποιηθεί επίσης για την προκαταρκτική αξιολόγηση της έκθεσης.

ΣΗΜΕΙΩΣΗ: Οι εκπομπές κραδασμών κατά τη διάρκεια της πραγματικής χρήσης του ηλεκτρικού εργαλείου μπορεί να διαφέρουν από τη δηλωμένη τιμή στην οποία χρησιμοποιείται το εργαλείο. Για την προστασία του χειριστή, πρέπει να χρησιμοποιούνται γάντια και προστασία της ακοής στις πραγματικές συνθήκες χρήσης.

ΚΑΤΑΛΟΓΟΣ ΕΞΑΡΤΗΜΑΤΩΝ ΣΥΣΚΕΥΑΣΙΑΣ

ΟΝΟΜΑ ΕΞΑΡΤΗΜΑΤΟΣ	ΠΟΣΟΤΗΤΑ
Προσάρτημα καλλιεργητή	1
Προστατευτικό (με μπουλόνι)	1
Κλειδί Άλλεν	1
Εγχειρίδιο χρήσης	1

GR

ΠΕΡΙΓΡΑΦΗ

ΓΝΩΡΙΣΤΕ ΤΟ ΚΑΛΛΙΕΡΓΗΤΗ ΣΑΣ (Εικ. Α)

1. ΤΕΡΜΑΤΙΚΟ ΠΩΜΑ
2. Άξονας προσαρτήματος καλλιεργητή
3. μετάδοσης κίνησης
4. Χιτώνιο
5. Εξωτερικές λεπίδες
6. Εσωτερικές λεπίδες

7. Πείρος σύνδεσης
8. Προστατευτικό
9. Κλειδί Άλλεν

ΣΥΝΑΡΜΟΛΟΓΗΣΗ

⚠️ ΠΡΟΕΙΔΟΠΟΙΗΣΗ: Σε περίπτωση που κάποια από τα εξαρτήματα έχουν υποστεί ζημιά ή λείπουν, μη χρησιμοποιήσετε το μηχάνημα, μέχρι να αντικατασταθούν. Η χρήση αυτού του προϊόντος με φθαρμένα ή ελλιπή εξαρτήματα μπορεί να έχει σαν αποτέλεσμα σοβαρό ατομικό τραυματισμό.

⚠️ ΠΡΟΕΙΔΟΠΟΙΗΣΗ: Μην επιχειρήσετε να τροποποιήσετε αυτό το εργαλείο ή να δημιουργήσετε εξαρτήματα που δεν συνιστώνται για χρήση με αυτό το προϊόν. Οποιαδήποτε τέτοια μετατροπή ή τροποποίηση μπορεί να προκαλέσει επικίνδυνες συνθήκες με επακόλουθο σοβαρό τραυματισμό.

⚠️ ΠΡΟΕΙΔΟΠΟΙΗΣΗ: Φοράτε πάντα ανθεκτικά γάντια κατά την εγκατάσταση ή απομάκρυνση της λεπίδας ή διεξάγετε συντήρηση στη λεπίδα. Προσέχετε τη λεπίδα και προστατεύετε τα χέρια σας από τραυματισμό λόγω της λεπίδας.

⚠️ ΠΡΟΕΙΔΟΠΟΙΗΣΗ: Μη συνδέετε τον καλλιεργητή στην ηλεκτρική κεφαλή, μέχρι να ολοκληρωθεί η συναρμολόγηση. Σε αντίθετη περίπτωση ενέχει κίνδυνος τυχαίας ενεργοποίησης και επακόλουθο σοβαρού τραυματισμού

ΤΟΠΟΘΕΤΗΣΗ ΤΟΥ ΠΡΟΣΤΑΤΕΥΤΙΚΟΥ

⚠️ ΠΡΟΕΙΔΟΠΟΙΗΣΗ: Εγκαταστήστε το προστατευτικό προτού συνδεθεί το προσάρτημα καλλιεργητή στο ηλεκτρικό εργαλείο.

1. Λασκάρετε και απομακρύνετε το μπουλόνι από το προστατευτικό με το κλειδί Άλλεν (Εικ. Β).
2. Σηκώστε το προσάρτημα καλλιεργητή και απομακρύνετε το τερματικό πώμα από τον άξονα.
3. Ευθυγραμμίστε την υποδοχή στο προστατευτικό με τη μεταλλική γλωττίδα στο άκρο του άξονα, περάστε το προστατευτικό μέσα από τον άξονα μέχρι οι οπές βίδας στο προστατευτικό και στην μεταλλική γλωττίδα να είναι ευθυγραμμισμένες (Εικ. C & D).
4. Χρησιμοποιήστε κλειδί Άλλεν για να σφίξετε το μπουλόνι δεξιόστροφα για να ασφαλίσετε σωστά το προστατευτικό.

Εικ. D Περιγραφή εξαρτημάτων, δείτε παρακάτω:

D-1	Μπουλόνι
-----	----------

ΣΥΝΔΕΣΗ ΤΟΥ ΠΡΟΣΑΡΤΗΜΑΤΟΣ ΚΑΛΛΙΕΡΓΗΤΗ ΣΤΗΝ ΗΛΕΚΤΡΙΚΗ ΚΕΦΑΛΗ

⚠️ ΠΡΟΕΙΔΟΠΟΙΗΣΗ: Ποτέ μην προσαρτάτε ή ρυθμίζετε οποιοδήποτε προσάρτημα ενώ λειτουργεί η ηλεκτρική κεφαλή ή με τοποθετημένη την μπαταρία. Εάν δεν σταματήσετε το μοτέρ ή δεν απομακρύνετε τη μπαταρία, μπορεί να προκληθεί σοβαρός ατομικός τραυματισμός.

Αυτό το προσάρτημα καλλιεργητή έχει σχεδιαστεί για χρήση με την ηλεκτρική κεφαλή EGO PH1400E.

1. Σταματήστε το μοτέρ και αφαιρέστε τη συστοιχία μπαταριών
2. Λασκάρτε την πεταλούδα στον ζεύκτη ηλεκτρικής κεφαλής.
3. Εάν το τερματικό πώμα βρίσκεται επάνω στον άξονα προσαρτήματος, απομακρύνετέ το και αποθηκεύστε το σε ένα ασφαλές σημείο για μετέπειτα χρήση.

Ευθυγραμμίστε το βέλος στον άξονα καλλιεργητή με το βέλος στον ζεύκτη (Εικ. Ε) και πιέστε τον άξονα καλλιεργητή μέσα στον ζεύκτη μέχρι να ακούσετε έναν ήχο «ΚΛΙΚ» (Εικ. F).

Εικ. Ε Περιγραφή εξαρτημάτων, δείτε παρακάτω:

E-1	Κουμπί απελευθέρωσης άξονα
E-2	Βέλος στη συσκευή ζεύξης
E-3	Κουμπί πεταλούδα
E-4	Βέλος στον άξονα προσαρτήματος
E-5	Κόκκινη γραμμή

Εικ. F Για περιγραφή των εξαρτημάτων, βλ. παρακάτω:

F-1	Κόκκινη γραμμή
-----	----------------

4. Τραβήξτε ελαφρά τον άξονα του προσαρτήματος καλλιεργητή για να βεβαιωθείτε ότι έχει κλειδώσει με ασφάλεια μέσα στη συσκευή ζεύξης. Σε αντίθετη περίπτωση περιστρέψτε τον άξονα καλλιεργητή προς τα πίσω και εμπρός στη συσκευή ζεύξης μέχρι ένας σαφής ήχος «ΚΛΙΚ» να υποδηλώσει ότι έχει εμπλακεί.
5. Σφίξτε με ασφάλεια την πεταλούδα.

⚠️ ΠΡΟΕΙΔΟΠΟΙΗΣΗ: Βεβαιωθείτε ότι η πεταλούδα στη συσκευή ζεύξης έχει σφικτεί πλήρως προτού θέσετε σε λειτουργία τον εξοπλισμό. Ελέγχετε την ανά τακτά χρονικά διαστήματα για το σφίξιμο ενώ χρησιμοποιείτε τη συσκευή, προς αποφυγή σοβαρού ατομικού τραυματισμού.

ΑΠΟΜΑΚΡΥΝΣΗ ΤΟΥ ΠΡΟΣΑΡΤΗΜΑΤΟΣ ΑΠΟ ΤΗΝ ΗΛΕΚΤΡΙΚΗ ΚΕΦΑΛΗ

1. Σταματήστε το μοτέρ και αφαιρέστε τη συστοιχία μπαταριών.
2. Λασκάρτε την πεταλούδα.
3. Με πατημένο το κουμπί αποδέσμευσης άξονα, τραβήξτε ή περιστρέψτε τον άξονα προσαρτήματος καλλιεργητή έξω από τη συσκευή ζεύξης για τον απομακρύνετε από την ηλεκτρική κεφαλή

ΛΕΙΤΟΥΡΓΙΑ

⚠️ ΠΡΟΕΙΔΟΠΟΙΗΣΗ: Η εξοικείωσή σας με αυτό το προϊόν δε θα πρέπει να σας κάνει λιγότερο προσεκτικούς. Θυμηθείτε πως ένα κλάσμα δευτερολέπτου απροσεξίας μπορεί να προκαλέσει σοβαρό τραυματισμό.

⚠️ ΠΡΟΕΙΔΟΠΟΙΗΣΗ: Φοράτε πάντα προστασία για τα μάτια μαζί με προστασία ακοής. Σε αντίθετη περίπτωση, είναι πιθανό να υπάρξει εκτόξευση αντικειμένων στα μάτια σας και άλλοι πιθανοί σοβαροί τραυματισμοί.

⚠️ ΠΡΟΕΙΔΟΠΟΙΗΣΗ: Μη χρησιμοποιείτε εξαρτήματα που δε συνιστώνται από τον κατασκευαστή αυτού του προϊόντος. Η χρήση παρελκόμενων ή εξαρτημάτων που δε συνιστώνται από τον κατασκευαστή, ενέχει τον κίνδυνο σοβαρού τραυματισμού.

ΕΦΑΡΜΟΓΕΣ

Μπορείτε να χρησιμοποιήσετε αυτό το προϊόν για τους κατωτέρω αναφερόμενους σκοπούς:

- Διάσπαση χώματος στον κήπο για την προετοιμασία εδάφους σποράς για εκ νέου φύτευση.
- Αβαθής καλλιέργεια για το ξερίζωμα αγριόχορτων ή χαλαρού χώματος γύρω από φυτά έτσι ώστε ο αέρας ή το νερό να διεισδύουν πιο εύκολα και σε βάθος μέσα στο έδαφος.
- Επιφανειακή διασπορά χώματος με κομπόστ, φύλλα ή άλλα οργανικά λιπάσματα. Η αβαθής καλλιέργεια διαλύει την επάνω κρούστα στο χώμα και ενσωματώνει τις θρεπτικές ουσίες που προστίθενται.
- Επιχωμάτωση ή αυλάκωμα σε καλλιεργημένο χώμα.

ΣΗΜΕΙΩΣΗ: Προς αποφυγή ζημιás στον καλλιεργητή ή σε δέντρα, προσέχετε ώστε να πιάνονται οι λεπίδες σε μεγάλες ρίζες δέντρων. Αποφεύγετε καλλιέργεια σε μεγάλο βάθος καθώς έτσι μπορεί να προκληθεί ζημιά στις επιφανειακές ρίζες ορισμένων φυτών.

ΧΡΗΣΗ ΤΟΥ ΠΡΟΣΑΡΤΗΜΑΤΟΣ ΚΑΛΛΙΕΡΓΗΤΗ ΜΕ ΤΗΝ ΗΛΕΚΤΡΙΚΗ ΚΕΦΑΛΗ

⚠️ ΠΡΟΕΙΔΟΠΟΙΗΣΗ: Ντύνεστε κατάλληλα για τη μείωση κινδύνου τραυματισμού κατά τη λειτουργία αυτού του εργαλείου. Μη φοράτε φαρδιά ρούχα ή κοσμήματα. Φοράτε προστατευτικά γυαλιά. Φοράτε υποδήματα ασφαλείας. Φοράτε βαριά, μακριά παντελόνια, μπότες και γάντια. Μην φοράτε κοντά παντελόνια, σανδάλια και μην είστε ξυπόλυτοι. Κρατάτε τον καλλιεργητή με το ένα χέρι στην οπίσθια χειρολαβή και το άλλο χέρι στη λαβή μπροστινής υποβοήθησης. Κρατάτε σφιχτά και με τα δύο χέρια ενώ χειρίζεστε τον καλλιεργητή. Ο καλλιεργητής πρέπει να κρατείται σε άνετη θέση με την πίσω λαβή περίπου στο ύψος των γοφών.

Διατηρείτε καλή στάση και ισορροπία και στα δύο πόδια (Εικ. G).

Μπορείτε να δουλεύετε μετακινώντας τον καλλιεργητή προς τα εμπρός ή πίσω, από αριστερά προς τα δεξιά, από τα δεξιά προς τα αριστερά ή με κυκλική κίνηση. Επιλέγετε την καλύτερη μέθοδο για την εργασία σας, που εξαρτάται από το σχήμα και το μέγεθος του τομέα και από τις συνθήκες εδάφους.

Η εργασία σε διαδοχική κίνηση προς τα πίσω και εμπρός ενδείκνυται ιδιαίτερα για την αναμόχλευση συμπακνωμένου εδάφους.

Κατά την επιχωμάτωση ή το αυλάκωμα να περπατάτε αργά προς τα πίσω και να τραβάτε τον καλλιεργητή για να δημιουργείτε το αυλάκι. Επαναλάβετε όπως απαιτείται για να δημιουργήσετε βαθύτερες αυλακώσεις.

ΣΗΜΕΙΩΣΗ: Έλξη του καλλιεργητή προσεκτικά προς εσάς ενώ σκάβει στο έδαφος, μειώνει την προσπάθειά σας και έτσι η καλλιέργεια γίνεται ευκολότερα.

Μπορεί να εκτιναχθούν υλικά και να τραυματίσουν σοβαρά τον χειριστή ή κάποιον περαστικό. Για να μειωθεί ο κίνδυνος τραυματισμού, οι ακόλουθες προφυλάξεις έχουν καθαριστική σημασία:

- Επιθεωρείτε και απομακρύνετε από το χώρο κρυμμένα αντικείμενα όπως γυαλί, πέτρες, μεγαλύτερες πέτρες, τσιμέντο, συρματοπλέγματα, μεταλλικά κομμάτια κ.λπ, τα οποία μπορεί να πεταχτούν ή να μπερδευτούν στις λεπίδες. Αποφεύγετε επαφή με σκληρά ή στερεά ξένα αντικείμενα.
- Επιθεωρείτε τις λεπίδες τακτικά και συχνά για σημάδια ζημιών ή μετά από χτύπημα σε σκληρό αντικείμενο. Μη συνεχίζετε την εργασία με φθαρμένη λεπίδα.
- Να κρατάτε πάντα τον καλλιεργητή και με τα δύο χέρια κατά τη λειτουργία. Πιάνετε καλά και τις δύο λαβές.
- Μετακινείτε τον καλλιεργητή στο χώρο εργασίας πριν την εκκίνηση και εκκινείτε τον καλλιεργητή σε χαμηλότερη ταχύτητα.

GR

Πριν από κάθε χρήση, ελέγχετε για ζημιές ή/και φθορές στα εξαρτήματα. Ελέγχετε τις λεπίδες, το προστατευτικό και τη λαβή μπροστινής υποβοήθησης και αντικαθιστάτε τα εξαρτήματα που έχουν ρωγμές, παραμόρφωση, λυγίσματα ή ζημιές οποιουδήποτε είδους.

Καθαρίζετε τον καλλιεργητή μετά από κάθε χρήση

ΕΝΑΡΞΗ/ΣΤΑΜΑΤΗΜΑ ΤΟΥ ΕΡΓΑΛΕΙΟΥ

Δείτε το απόσπασμα «**ΕΚΚΙΝΗΣΗ/ΣΤΑΜΑΤΗΜΑ ΤΗΣ ΗΛΕΚΤΡΙΚΗΣ ΚΕΦΑΛΗΣ**» στο εγχειρίδιο χρήσης της ηλεκτρικής κεφαλής RH1400E

ΣΥΝΤΗΡΗΣΗ

⚠ ΠΡΟΕΙΔΟΠΟΙΗΣΗ: Όταν κάνετε συντήρηση του εργαλείου, χρησιμοποιείτε μόνο ίδια ανταλλακτικά. Η χρήση οποιωνδήποτε άλλων εξαρτημάτων μπορεί να προκαλέσει κίνδυνο ή υλικές ζημιές. Για να διασφαλίσετε την ασφάλεια και την αξιοπιστία, όλες οι επισκευές πρέπει να διεξάγονται από εξειδικευμένο τεχνικό του σέρβις.

⚠ ΠΡΟΕΙΔΟΠΟΙΗΣΗ: Τα εργαλεία μπαταρίας δεν πρέπει να συνδέονται σε ηλεκτρική πρίζα. Γι' αυτό βρίσκονται πάντα σε κατάσταση λειτουργίας. Για να εμποδίσετε σοβαρό ατομικό τραυματισμό, λάβετε επιπρόσθετα προληπτικά μέτρα και προσέχετε όταν διεξάγετε συντήρηση, σέρβις ή όταν αλλάζετε προσάρτημα κοπής ή άλλα προσαρτήματα.

⚠ ΠΡΟΕΙΔΟΠΟΙΗΣΗ: Προς αποφυγή σοβαρού ατομικού τραυματισμού, απομακρύνετε τη συστοιχία μπαταριών από την ηλεκτρική κεφαλή και περιμένετε όλες οι λεπίδες να σταματήσουν πριν από εργασίες σέρβις, καθαρισμού, αλλαγής εξαρτημάτων προσάρτησης ή εάν το προϊόν δεν χρησιμοποιείται.

⚠ ΠΡΟΕΙΔΟΠΟΙΗΣΗ: Φοράτε πάντα ανθεκτικά γάντια κατά την εγκατάσταση ή απομάκρυνση της λεπίδας ή διεξάγετε συντήρηση στη λεπίδα. Προσέχετε τη λεπίδα και προστατεύετε τα χέρια σας από τραυματισμό λόγω της λεπίδας.

ΓΕΝΙΚΗ ΣΥΝΤΗΡΗΣΗ

⚠ ΠΡΟΕΙΔΟΠΟΙΗΣΗ: Αποφύγετε τη χρήση διαλυτών κατά τον καθαρισμό των πλαστικών εξαρτημάτων. Τα περισσότερα πλαστικά είναι ευπαθή στη χρήση διαφόρων τύπων διαλυτών του εμπορίου και καταστρέφονται από τη χρήση τους. Χρησιμοποιείτε καθαρά πανιά για την απομάκρυνση βρωμιάς, σκόνης, λαδιού, γράσου κλπ.

⚠ ΠΡΟΕΙΔΟΠΟΙΗΣΗ: Όταν καθαρίζετε το προσάρτημα καλλιεργητή, ΜΗΝ το βυθίζετε σε νερό ή άλλα υγρά. Μην καθαρίζετε το μηχάνημα με πλυστικό μηχάνημα που χρησιμοποιεί πίεση. Ο δυνατός πίδακας νερού μπορεί να προκαλέσει ζημιά σε εξαρτήματα του μηχανήματος.

- Διατηρείτε όλα τα παξιμάδια, τα περικόχλια και τις βίδες καλά σφιγμένα, έτσι ώστε να εξασφαλιστεί η ασφαλής λειτουργία του εξοπλισμού.
- Για να μειώσετε τον κίνδυνο πυρκαγιάς διατηρείτε τον κινητήρα, το σιγαστήρα, το διαμέρισμα μπαταριών καθαρά από φυτά και υπερβολική ποσότητα λιπαντικού.
- Αντικαθιστάτε τα φθαρμένα ή χαλασμένα εξαρτήματα για λόγους ασφαλείας.

ΣΥΝΤΗΡΗΣΗ ΛΕΠΙΔΑΣ

- Συντηρείτε τις λεπίδες τακτικά με λάδι κατά της σκουριάς.
- Εάν κάποια από τις λεπίδες πρέπει να αντικατασταθεί λόγω φθοράς, αντικαθιστάτε και τις τέσσερις λεπίδες για καλύτερη απόδοση.

Οι εργασίες συντήρησης, που δεν αναφέρονται στις παρούσες οδηγίες, πρέπει να διεξάγονται από εξουσιοδοτημένο προσωπικό του σέρβις.

Για την αντικατάσταση

Ο καλλιεργητής έχει τέσσερις λεπίδες – δύο εσωτερικές λεπίδες και δύο εξωτερικές λεπίδες. Για τη σωστή λειτουργία του καλλιεργητή, οι λεπίδες πρέπει να εγκαθίστανται με σωστό προσανατολισμό. Τα σύμβολα L και R είναι χαραγμένα στις λεπίδες (Εικ. Η & Ι).

Εικ. Η&Ι Για περιγραφή των εξαρτημάτων, βλ. παρακάτω:

H-1	Κινητήριος άξονας	H-7	Πείρος σύνδεσης
H-2	Εσωτερικό χιτώνιο	I-1	Πείρος σύνδεσης
H-3	Εξωτερικό χιτώνιο	I-2	Χαραγμένο «R» στην εξωτερική λεπίδα
H-4	Σύμβολο L	I-3	Χαραγμένο «R» στην εσωτερική λεπίδα
H-5	Χαραγμένο «L» στην εσωτερική λεπίδα	I-4	Σύμβολο R
H-6	Χαραγμένο «L» στην εξωτερική λεπίδα		

ΣΗΜΕΙΩΣΗ: ΟΙ ΛΕΠΙΔΕΣ ΠΟΥ ΈΧΟΥΝ ΟΔΟΝΤΩΣΕΙΣ ΠΟΥ ΒΛΕΠΟΥΝ ΚΑΙ ΣΤΙΣ ΔΥΟ ΚΑΤΕΥΘΥΝΣΕΙΣ ΠΡΕΠΕΙ ΝΑ ΤΟΠΟΘΕΤΟΥΝΤΑΙ ΣΤΟ ΕΣΩΤΕΡΙΚΟ ΟΣΟ ΠΙΟ ΚΟΝΤΑ ΓΙΝΕΤΑΙ ΣΤΟ ΚΙΒΩΤΙΟ ΜΕΤΑΔΟΣΗΣ ΚΙΝΗΣΗΣ

1. Φοράτε γάντια.
2. Τοποθετήστε την εσωτερική λεπίδα, με χάραξη «L», με οδοντώσεις και προς τις δύο κατευθύνσεις, αριστερά από το κιβώτιο μετάδοσης κίνησης.
3. Τοποθετήστε την εξωτερική λεπίδα, με χάραξη «L» (οδοντώσεις βλέπουν προς μια κατεύθυνση μόνο) στην ίδια πλευρά, με το εξωτερικό χιτώνιο προς την εσωτερική λεπίδα.
4. Για να ασφαλίσετε τη λεπίδα στον άξονα κίνησης, εισαγάγετε τον πείρο σύνδεσης μέσα στην οπή ασφάλισης - 1. Δείτε την Εικ. J, K, L και N για αναφορά.
5. Αναποδογυρίστε το εργαλείο με την εγκατεστημένη λεπίδα να ακουμπάει στο έδαφος.
6. Τοποθετήστε την εσωτερική λεπίδα, με χάραξη «R», με οδοντώσεις και προς τις δύο κατευθύνσεις, δεξιά από το κιβώτιο μετάδοσης κίνησης.
7. Τοποθετήστε την εξωτερική λεπίδα, με χάραξη «R» (οδοντώσεις βλέπουν προς μια κατεύθυνση μόνο) στην ίδια πλευρά, με το εξωτερικό χιτώνιο προς την εσωτερική λεπίδα.
8. Για να ασφαλίσετε τη λεπίδα στον άξονα κίνησης, εισαγάγετε τον πείρο σύνδεσης μέσα στην οπή ασφάλισης - 1 και κατόπιν γυρίστε τον πείρο σύνδεσης 90°. Δείτε την Εικ. J, K, L και N για αναφορά.

⚠️ ΠΡΟΕΙΔΟΠΟΙΗΣΗ: Η μονάδα δεν θα λειτουργεί σωστά ή μπορεί ο χειριστής ή οι παρευρισκόμενοι να τεθούν σε κίνδυνο εάν οι λεπίδες εγκατασταθούν με λάθος τρόπο. Εάν παρατηρήσετε πρόβλημα με τη λειτουργία καλλιέργειας της μονάδας, ελέγξτε για τη σωστή τοποθέτηση της λεπίδας.

ΟΙ ΛΕΠΙΔΕΣ ΠΟΥ ΈΧΟΥΝ ΟΔΟΝΤΩΣΕΙΣ ΠΟΥ ΒΛΕΠΟΥΝ ΚΑΙ ΣΤΙΣ ΔΥΟ ΚΑΤΕΥΘΥΝΣΕΙΣ ΠΡΕΠΕΙ ΝΑ ΤΟΠΟΘΕΤΟΥΝΤΑΙ ΣΤΟ ΕΣΩΤΕΡΙΚΟ, ΚΟΝΤΑ ΣΤΟ ΚΙΒΩΤΙΟ ΓΡΑΝΑΖΙΩΝ.

Ρύθμιση

Όταν εκτελείτε καλλιέργεια σε στενό χώρο ή ανάμεσα σε σειρές, ο καλλιεργητής μπορεί να χρησιμοποιείται μόνο με τοποθετημένες τις εσωτερικές λεπίδες.

Φορέστε γάντια και απομακρύνετε τους δύο πείρους σύνδεσης ώστε να αφαιρέσετε τις δύο εξωτερικές λεπίδες (Εικ. M) και κατόπιν εισαγάγετε τους πείρους σύνδεσης μέσα στην οπή ασφάλισης - 2 (Εικ. N & O).

Εικ. N Περιγραφή εξαρτημάτων, δείτε παρακάτω:

N-1	Οπή ασφάλισης - 1
N-2	Οπή ασφάλισης - 2

ΣΗΜΕΙΩΣΗ: Μην τοποθετείτε ή αφαιρέτε τις λεπίδες με δύναμη στον κινητήριο άξονα. Εάν διαπιστώσετε δυσκολία κατά την αφαίρεση των λεπίδων, βάλτε λίγο διεισδυτικό λάδι στον άξονα. Όταν επανεγκαθιστάτε τις λεπίδες, εξασφαλίζετε ότι έχετε καθαρίσει και λαδώσει τον κινητήριο άξονα και τις λεπίδες.

ΚΑΘΑΡΙΣΜΟΣ ΤΗΣ ΜΟΝΑΔΑΣ

- Τμήματα φυτών όπως οι ρίζες, μπορεί να μαγκωθούν σφιχτά γύρω από ή ανάμεσα στις περιστρεφόμενες λεπίδες κατά τη λειτουργία. Για τον καθαρισμό των περιστρεφόμενων λεπίδων:
- Αφαιρέστε τη μπαταρία.
- Φοράτε γάντια. Καθαρίζετε τα κομμάτια ριζών, μπλοκαρισμένο χώμα ή φυτά στη λεπίδα, στο προστατευτικό ή στο κιβώτιο μετάδοσης κίνησης. Για έναν σχολαστικό καθαρισμό απομακρύνετε τις λεπίδες και το προστατευτικό για να τα καθαρίσετε σχολαστικά. Για λεπτομερή βήματα αντικατάστασης δείτε το παραπάνω απόσπασμα

«ΑΝΤΙΚΑΤΑΣΤΑΣΗ Ή ΡΥΘΜΙΣΗ ΤΩΝ ΛΕΠΙΔΩΝ».

- Σκουπίστε την επιφάνεια εργαλείου με ένα καθαρό πανί νοτισμένο με ένα ήπιο διάλυμα σαπουνάδας

ΑΠΟΘΗΚΕΥΣΗ ΤΗΣ ΜΟΝΑΔΑΣ

- Αφαιρέστε την μπαταρία από το εργαλείο.
- Αφαιρέστε το προσάρτημα καλλιεργητή από την ηλεκτρική κεφαλή και καλύψτε τον άξονα προσαρτήματος με το τερματικό πώμα ώστε να μην διεισδύσουν ρύποι μέσα στη συσκευή ζεύξης.
- Αποθηκεύετε το εργαλείο σε στεγνό, καλά αεριζόμενο χώρο, εκτός εμβέλειας των παιδιών. Μην αποθηκεύετε τη μονάδα επάνω ή δίπλα σε λιπάσματα, βενζίνη ή άλλες χημικές ουσίες.

Προστασία του περιβάλλοντος



Μην απορρίπτετε τους ηλεκτρικούς εξοπλισμούς, το φορτιστή μπαταρίας και τις μπαταρίες/επαναφορτιζόμενες μπαταρίες στα οικιακά απορρίμματα! Σύμφωνα με τον Ευρωπαϊκό νόμο 2012/19/ΕΕ, οι ηλεκτρικοί και οι ηλεκτρονικοί εξοπλισμοί που δεν χρησιμοποιούνται πλέον και σύμφωνα με τον Ευρωπαϊκό νόμο 2006/66/ΕΚ, οι ελαττωματικές ή χρησιμοποιημένες συστοιχίες μπαταριών/μπαταρίες πρέπει να συλλέγονται ξεχωριστά. Εάν οι ηλεκτρικές συσκευές απορριφθούν στο ύπαιθρο ή σε χλωματερές, τότε είναι πιθανό να διαρρεύσουν επικίνδυνες ουσίες στα υπόγεια ύδατα, με αποτέλεσμα να περάσουν στην τροφική αλυσίδα, προκαλώντας ζημιές στην υγεία και την φυσική σας κατάσταση.

GR

ΑΝΤΙΜΕΤΩΠΙΣΗ ΠΡΟΒΛΗΜΑΤΩΝ

ΠΡΟΒΛΗΜΑ	ΑΙΤΙΑ	ΕΠΙΛΥΣΗ
Ο καλλιεργητής δεν εκκινείται.	<ul style="list-style-type: none"> ■ Η συστοιχία μπαταριών δεν έχει προσαρτηθεί σωστά στην ηλεκτρική κεφαλή. ■ Δεν υπάρχει ηλεκτρική επαφή μεταξύ της ηλεκτρικής κεφαλής και της συστοιχίας μπαταρίας. ■ Η συστοιχία μπαταριών έχει εξαντληθεί. ■ Ο μοχλός ασφάλισης και η σκανδάλη δεν πατήθηκαν ταυτόχρονα. 	<ul style="list-style-type: none"> ■ Τοποθετήστε τη συστοιχία μπαταριών στην ηλεκτρική κεφαλή. ■ Απομακρύνετε τη συστοιχία μπαταριών, ελέγξτε τις επαφές και εγκαταστήστε τη συστοιχία μπαταριών εκ νέου έτσι ώστε να κομπίσσει στη σωστή θέση. ■ Φορτίστε τη συστοιχία μπαταριών με τους φορτιστές EGO που παρατίθενται στο παρόν εγχειρίδιο. ■ Πατήστε το μοχλό ασφάλισης και κρατήστε τον, κατόπιν πιέστε τη σκανδάλη για να ενεργοποιήσετε τη μονάδα.
Ο καλλιεργητής σταματάει κατά την καλλιέργεια.	<ul style="list-style-type: none"> ■ Το μοτέρ έχει υπερφορτωθεί. ■ Η συστοιχία μπαταριών είναι πολύ καυτή. ■ Οι λεπίδες είναι μπλοκαρισμένες. ■ Η συστοιχία μπαταριών έχει αποσυνδεθεί από το εργαλείο ■ Η συστοιχία μπαταριών έχει εξαντληθεί 	<ul style="list-style-type: none"> ■ Το μοτέρ θα επανέλθει όταν αφαιρεθεί το φορτίο. Για συνεχή εργασία, μειώστε το φορτίο στον καλλιεργητή και αποφεύγετε καλλιέργεια σε μεγάλο βάθος. Αντ' αυτού κάνετε προοδευτικά μεγαλύτερες κοπές. ■ Επιτρέψτε η συστοιχία μπαταριών να κρυώνει, έως ότου η θερμοκρασία πέσει κάτω από τους 67°C. ■ Απομακρύνετε τη μπαταρία από την ηλεκτρική κεφαλή, περιστρέψτε με το χέρι τις λεπίδες προς τα πίσω και εμπρός για να αφαιρέσετε τις πέτρες ή άλλα εμπόδια ανάμεσα στις λεπίδες ή ανάμεσα στη λεπίδα και το κιβώτιο μετάδοσης κίνησης. ■ Επαναγκαταστήστε τη συστοιχία μπαταριών. ■ Φορτίστε τη συστοιχία μπαταριών με τους φορτιστές EGO που παρατίθενται στο παρόν εγχειρίδιο.

GR

ΕΓΓΥΗΣΗ

ΠΟΛΙΤΙΚΗ ΕΓΓΥΗΣΗΣ EGO

Επισκεφθείτε την ιστοσελίδα egopowerplus.com για όλους τους όρους και τις προϋποθέσεις της πολιτικής εγγύησης EGO.

TÜM TALİMATLARI OKUYUN!



KULLANMA KILAVUZUNU OKUYUP ANLAYIN

⚠️ Artık risk! Kalp pili gibi elektronik cihaz kullanan kişiler bu ürünü kullanmadan önce hekimlerine danışmalıdır. Elektrikli cihazların, kalp pili yakınında çalıştırılması kalp pilinde parazite veya arızaya neden olabilir.

⚠️ UYARI: Güvenliği ve güvenilirliği sağlamak için, tüm onarım işlemleri yetkili bir servis teknisyeni tarafından gerçekleştirilmelidir.

GÜVENLİK SEMBOLLERİ

Güvenlik sembollerinin amacı olası tehlikelere dikkatinizi çekmektir. Güvenlik sembolleri ve yanlarındaki açıklamalar özel dikkat ve anlayış göstermenizi gerektirir. Uyarı sembolleri kendi başlarına herhangi bir tehlikeyi gidermez. Sundukları talimat ve uyarılar uygun kaza önleme önlemlerinin yerine geçmez.

⚠️ UYARI: Bu aleti kullanmadan önce, “TEHLİKE”, “UYARI” ve “DİKKAT” gibi tüm güvenlik uyarı ve sembollerini içeren bu Kullanım Kılavuzu içerisindeki tüm güvenlik talimatlarını okuyup anladığınızdan emin olun. Aşağıdaki talimatların tamamına uyulmaması elektrik çarpması, yangın ve/veya ciddi kişisel yaralanma ile sonuçlanabilir.

SEMBOLÜN ANLAMI

⚠️ Güvenlik Uyarı sembolü: Bir TEHLİKE,UYARI veya DİKKAT edilmesi gereken durumları gösterir. Diğer semboller veya resimlerle birlikte kullanılabilir.

TR



⚠️ Uyarı! Elektrikli aletlerin kullanımı yabancı nesnelerin gözlerinize fırlatılması sonucunu doğurabilir, bu da gözlerde ciddi hasara yol açabilir. Elektrikli aleti kullanmaya başlamadan önce, daima göz koruması veya yan siperi olan koruyucu gözlük takın ve gerektiğinde tam yüz siperi kullanın. Gözlük üzerine kullanım için Wide Vision Koruyucu Maske ya da yan siperleri olan standart koruyucu gözlükleri tavsiye ederiz.

GÜVENLİK TALİMATLARI

Bu sayfada, bu ürün üzerinde görülebilecek güvenlik sembolleri gösterilmekte ve açıklanmaktadır. Makineyi monte etmeye ve kullanmaya başlamadan önce, makineye ilişkin tüm talimatları okuyup anlayın ve bu talimatlara uyun.

	Güvenlik Uyarısı	Potansiyel bir kişisel yaralanma tehlikesini gösterir.
	Kullanım Kılavuzunu Okuyun ve Anlayın	Yaralanma riskini azaltmak için, kullanıcı bu ürünü kullanmadan önce kullanım kılavuzunu okuyup anlamalıdır.
	Kulak koruması takın	Bu ürünü kullanırken daima kulak koruması kullanın
	Koruyucu Gözlük Takın	Bu ürünü kullanırken her zaman emniyet gözlükleri veya yan korumalı emniyet gözlükleri kullanın.
	Koruyucu Eldiven Takın	Bıçaklara dokunurken eldiven giyerek ellerinizi koruyun. Dayanıklı, kaymaz eldivenler daha iyi tutuş sağlarken ellerinizi de korur.
	Koruyucu Ayakkabı Giyin	Bu cihazı kullanırken kaymaz emniyet ayakkabılar giyin.
	Sekme	Fırlayan nesnelere sekebilir ve kişisel yaralanma veya mal hasarına yol açabilir.
	Ayakları Uzak Tutun	Kesme yaralanma riskini düşürmek için ellerinizi ve ayaklarınızı döner bıçaklardan uzak tutun.
	Üçüncü Şahısları Uzak Tutun	Etraftaki Kişileri Güvenli Bir Mesafede Tutun
	CE	Bu ürün geçerli AB direktiflerine uygundur.

	WEEE	Atık elektrikli ürünler, evsel atıklar ile birlikte imha edilmemelidir. Yetkili bir geri dönüşüm merkezine götürün.
	Gürültü	Garanti edilen ses gücü seviyesi.
	Yağmura Maruz Bırakmayın	Bu ürünü yağmur altında kullanmayın veya yağmur yağarken dışarıda bırakmayın.
IPX4	IP Sembölü	Su girişine karşı koruma derecesi 4
V	Volt	Voltaj
mm	Milimetre	Uzunluk veya boyut
kg	Kilogram	Ağırlık

ELEKTRİKLİ ALETLER İÇİN GENEL GÜVENLİK UYARILARI

⚠ UYARI Bu elektrikli alet ile birlikte verilen tüm güvenlik uyarılarını, talimatları, çizimleri ve teknik özellikleri okuyun. Aşağıdaki talimatların tamamına uyulmaması elektrik çarpması, yangın ve/veya ciddi yaralanma ile sonuçlanabilir.

Tüm uyarı ve talimatları gelecekte başvuru amacıyla muhafaza edin.

ÇALIŞMA ALANI GÜVENLİĞİ

- Çalışma alanını temiz ve iyi aydınlatılmış bir halde tutun. Karışık veya karanlık alanlar kazaya sebebiyet verir.
- Elektrikli aletleri yanıcı sıvı, gaz veya toz içeren patlayıcı ortamlarda çalıştırmayın. Elektrikli aletten çıkan kıvılcıklar toz veya gazları tutuşturabilir.
- Elektrikli aleti çalıştırırken çocukları ve etraftaki kişileri uzak tutun. Dikkatinizi dağıtıcı şeyler kontrolü kaybetmenize neden olabilir.

ELEKTRİK GÜVENLİĞİ

- Elektrikli aletleri yağmur veya ıslak koşullara maruz bırakmayın. Elektrikli alete su girmesi elektrik çarpması riskini artırır.

KİŞİSEL GÜVENLİK

- Elektrikli aletleri kullanırken daima dikkatli olun, yaptığınız işe yoğunlaşın ve sağduyulu davranın. Yorgunken, uyuşturucu, alkol veya ilaçlı tedavi etkisi altındayken elektrikli aleti kullanmayın. Elektrikli aletleri kullanırken bir anlık dikkatsizlik ciddi kişisel yaralanmayla sonuçlanabilir.
- Her zaman kişisel koruyucu ekipman kullanın. Koşullara uygun göz koruması, toz maskesi, kaymaz emniyet ayakkabıları, kask ve/veya işitme koruması vb. kişisel koruyucu ekipman kullanılması kişisel yaralanmaları azaltır.
- Yanlışlıkla çalıştırmaktan kaçının. Aleti aküyü takmadan, kaldırmadan veya taşımadan önce açma kapama anahtarından kapalı olduğundan emin olun. Parmağınızı anahtarın güç aletlerini taşıma veya elektrikli aletlere elektrik vermek anahtarın ısınmasına ve olası kazalara yol açar.
- Elektrikli aleti çalıştırmadan önce, herhangi bir alyen veya anahtar varsa çıkarın. Elektrikli aletin hareketli parçalarına takılı kalmış bir alyen veya anahtar kişisel yaralanmalara neden olabilir.
- Dengesiz bir duruşla çalışma yapmayın. Çalışma süresince ayaklarınızı sağlam basın ve dengeyi koruyun. Böyle yapılması, beklenmedik durumlarda elektrikli aletin daha iyi kontrol edilmesini sağlar.
- Uygun bir şekilde giyinin. Bol giysiler giymeyin veya takı takmayın. Saçlarınızı ve elbiselerinizi hareketli parçalardan uzak tutun. Bol giysiler, takılar veya uzun saçlar hareketli parçalara takılabilir.
- Toz toplayıcı cihaz bağlantıları ve toplama tesisleri olması durumunda, bu bağlantıların düzgün yapılmış ve kullanılıyor olduğundan emin olun. Toz toplanmanın kullanımı tozla ilgili tehlikeleri azaltabilir.
- Aletlerin sık kullanılmasından kaynaklanan aşınalığın sizin boş vermenize ve aletin güvenlik prensiplerini görmezden gelmenize sebep olmasına izin vermeyin. Dikkatsiz bir hareket, saniyenin binde birindeki bir sürede ağır yaralanmalara neden olabilir.

ELEKTRİKLİ ALET KULLANIMI VE BAKIMI

- Elektrikli aleti zorlamayın. Yaptığınız işe uygun elektrikli aleti kullanın. Doğru elektrikli alet, tasarımına uygun değerlerde kullanıldığında daha iyi ve daha güvenli çalışacaktır.
- Açma kapama düğmesi çalışmıyorsa elektrikli aleti kullanmayın. Açma kapama düğmesi ile kontrol edilemeyen bir elektrikli alet tehlikelidir ve onarılması gerekir.

- Sıkışan malzemeyi serbest bırakmadan, herhangi bir ayar yapmadan, aksesuarları değiştirmeden, elektrikli aletleri temizlemeden veya saklamadan önce, eğer sökülebilen türdence elektrikli aletten aküyü çıkarın ve/veya herhangi bir akü devre dışı bırakma cihazını etkinleştirin. Bu tür önleyici güvenlik önlemleri, elektrikli aletin yanlışlıkla çalışma riskini azaltacaktır.
- Çalıştırılmayan elektrikli aletleri çocuklardan uzak tutun ve elektrikli aletin kullanımına veya bu talimatlara aşına olmayan kimselerin elektrikli aleti çalıştırmalarına izin vermeyin. Elektrikli aletler, eğitimsiz kullanıcıların elinde tehlikelidir.
- Elektrikli aletlere ve aksesuarlara bakım yapın. Hareketli parçaların kusursuz olarak işlev görüp görmediğini veya sıkışıp sıkışmadığını, parçaların hasarlı olup olmadığını ve elektrikli aletin çalışmasını etkileyebilecek diğer tüm koşulları kontrol edin. Elektrikli alet hasarlı ise, kullanmadan önce onarılmasını sağlayın. Kazaların çoğu, elektrikli aletlerin ve aksesuarların bakımının yeterli şekilde yapılmamasından kaynaklanır.
- Kesici aletleri keskin ve temiz tutun. Keskin kesim kenarlarına sahip, bakımı yapılmış kesim aletleri daha az sorun çıkarır ve kontrolü kolaydır.
- Elektrikli aleti, aksesuarlarını ve alet uçlarını vb. çalışma şartlarını ve yapılacak işi dikkate alarak bu talimatlara uygun şekilde kullanın. Elektrikli aletin kullanım amacı dışındaki işlerde kullanılması tehlikeli durumlara neden olabilir.
- Tutma saplarını ve kavrama yüzeylerini kuru, temiz, benzin ve yağdan uzak tutun. Kaygan saplar ve kavrama yüzeyleri, güvenli olmayan kullanım ve/veya aletin kontrolünün kaybına yol açabilir.
- Kabloları, aletin çalışma alanından uzak tutun. Çalışma sırasında kablolar gizlenmiş olabilir ve alet tarafından yanlışlıkla hasar görülebilirler.

TR

AKÜYLE ÇALIŞAN ALETLERİNİN KULLANIMI VE BAKIMI

- Sadece üretici tarafından belirtilen şarj cihazı ile şarj edin. Tek tip aküye uygun olan bir şarj cihazı başka bir akü ile birlikte kullanıldığında yangın riski teşkil edebilir.
- Elektrikli aletleri sadece özel olarak üretilmiş akülerle kullanın. Başka akünün kullanımı yaralanma ve yangın tehlikesi oluşturabilir.
- Akünün kullanımda olmadığı durumlarda, aküyü ataş, bozuk para, anahtar, çivi, vida veya akü kutupları arasında kısa devre yapabilecek diğer metal nesnelere uzak tutun. Akü terminalerinin birbirinde kısa devre olması yanmalara veya yangına neden olabilir.

- Kötü şartlar altında aküden sıvı akabilir; temas etmekten kaçının. Yanlışlıkla temas edilirse, su ile yıkayın. Sıvı göze temas ederse, ayrıca tıbbi yardım alın. Aküden sızan sıvı tahriş veya yanıklara neden olabilir.
- Aküyü veya aleti hasarlı veya üzerinde değişiklik yapılmış şekilde kullanmayın. Hasarlı veya üzerinde değişiklik yapılmış aküler yangın, patlama veya yaralanma riskine neden olacak şekilde beklenmeyen davranışlar gösterebilir.
- Aküyü veya aleti ateşe veya aşırı sıcaklıklara maruz bırakmayın. Ateşe veya 130 °C'nin üzerindeki sıcaklıklara maruz kalması patlamaya neden olabilir.
- Tüm şarj talimatlarına uyun ve aküyü veya aleti talimatlarda belirtilen sıcaklık aralığının dışındaki sıcaklıklarda şarj etmeyin. Hatalı veya belirtilen sıcaklık aralığının dışındaki sıcaklıklarda şarj etmek, aküye zarar verebilir ve yangın riskini artırır.

DİĞER GÜVENLİK UYARILARI EĞİTİM

- Talimatları dikkatle okuyun. Cihazın kumandalarını ve uygun kullanım şeklini öğrenin.
- Asla bu talimatlara aşına olmayan kişilerin veya çocukların makineyi kullanmasına izin vermeyin. Yerel yönetmelikler kullanıcının yaşını kısıtlayabilir.
- Yakınıınızda başkaları, özellikle de çocuklar veya evcil hayvanlar varken asla çalışmayın.
- Operatör veya kullanıcının, diğer kişilerin veya eşyaların başına gelebilecek yaralanma veya hasarlardan sorumlu olduğunu unutmayın.

HAZIRLIK

- Çalışırken her zaman dayanıklı ayakkabı ve uzun pantolon giyin. Ekipmanı çıplak ayakla veya açık sandaletler giyerek kullanmayın.
- Ekipmanın kullanılacağı alanı iyice inceleyin ve ürün tarafından fırlatılacak tüm nesnelere kaldırın.
- Kullanmadan önce, aletlerin yıpranmış veya hasar görmediğini daima gözle kontrol edin. Dengeyi korumak için, aşınmış veya hasar görmüş elemanlarla civatalarını set olarak değiştirin.

ÇALIŞTIRMA

- Motoru tehlikeli karbonmonoksit dumanlarının birikebileceği dar alanlarda çalıştırmayın.
- Sadece gün ışığında veya iyi aydınlatılmış yerlerde çalışın
- Eğimli alanlarda bastığınız yerlerin sağlam olduğundan emin olun
- Makineyle yürüyün, asla koşmayın.

- Tekerlekli dönerek çalışan makineler ile çalışırken; eğimli yüzeyin enine doğru çalışın, asla yukarı aşağı yönde çalışmayın.
- Eğimli yerlerde yön değiştirirken son derece dikkatli olun.
- Çok dik eğimli yerlerde çalışmayın.
- Geriye giderken veya makineyi kendinize doğru çekerken çok dikkatli olun.
- Motor kontrol ayarlarını değiştirmeyin veya motoru aşırı hızlı çalıştırmayın.
- Motoru, üreticinin talimatlarına göre ve ayaklar aletten uzakta olacak şekilde dikkatlice çalıştırın.
- Ellerinizi veya ayaklarınızı hareketli parçaların yakınına veya altına yerleştirmeyin.
- Asla makineyi motor çalışırken kaldırmayın veya taşımayın.
- Sadece şek. A'da listelenen pil paketi ve şarj cihazlarını kullanın.

EĞİMLİ ARAZİDE KULLANIM:

Eğimli araziler ciddi yaralanmalara yol açabilen kayma ve düşme kazaları ile ilgili önemli bir faktördür. Eğimli alanlarda bastığınız yerlerin sağlam olduğundan emin olun. Eğimli arazilerde çalışma son derece dikkatli olmayı gerektirir. Eğimli bir arazide kendinizi rahatsız hissediyorsanız, kullanmayın.

- Kaymanıza veya takılıp düşmenize neden olabilecek çukurlara, tekerlek izlerine, kaya parçalarına, gizli cisimlere veya tümseklere dikkat edin. Uzun çimler engelleri gizleyebilir.

SERVİS

- Elektrikli aletlerinizin bakımını uzman bir tamirciye ve sadece aynı yedek parçaların kullanılarak yaptırın. Bu, elektrikli aletin emniyetinin korunmasını sağlayacaktır.
- Asla hasarlı aküleri bakım-onarım yapmayın. Akülerin bakımı sadece üretici veya yetkili servisler tarafından yapılmalıdır.

⚠ UYARI: Bu elektrikli alette birlikte verilen tüm güvenlik uyarılarını, talimatları, resimli açıklamaları ve teknik özellikleri okuyun. Aşağıdaki talimatların tamamına uyulmaması elektrik çarpması, yangın ve/veya ciddi yaralanma ile sonuçlanabilir. Tüm uyarı ve talimatları gelecekte başvuru amacıyla muhafaza edin.

ΦΥΛΑΞΤΕ ΑΥΤΕΣ ΤΙΣ ΟΔΗΓΙΕΣ

ΠΡΟΔΙΑΓΡΑΦΕΣ

Salınım Genişliği	240 mm	
Salınım Derinliği	215 mm	
Bıçak Boyutu	215 mm	
Çalışma Sıcaklığı	0°C-40°C	
Depolama Sıcaklığı	-20°C-70°C	
Ağırlık (koruma dahil)	3,9 kg	
Ölçülen ses güç düzeyi L_{WA}	87,6 dB(A) K=2,02 dB(A)	
Operatör yerinde ses basıncı seviyesi L_{PA}	77,0 dB(A) K=3 dB(A)	
Garantili ses gücü seviyesi L_{WA} (2000/14/EC'ye göre ölçülen)	90 dB(A)	
Titreşim değeri a_{11} :	Ön Yardım Kolu	0,94 m/s ² K= 1,5 m/s ²
	Arka Kol	1,24 m/s ² K= 1,5 m/s ²

- Yukarıdaki parametreler, PH1400E elektrikli alet başlığı takılı olarak test edilmiş ve ölçülmüştür.
- Beyan edilen toplam titreşim değeri standart bir test yöntemine göre ölçülmüştür ve bir ürünü diğeri ile karşılaştırmak için kullanılabilir;
- Beyan edilen toplam titreşim değeri ayrıca ön maruz kalma değerlendirmesinde kullanılabilir.

DİKKAT: Elektrikli aletin gerçek kullanımı sırasında meydana gelen titreşim emisyonu aletin kullanım şekline bağlı olarak bildirilen değerden farklı olabilir; Operatörü korumak için, kullanıcı gerçek kullanım koşullarında eldiven ve kulak koruması takmalıdır.

AMBALAJ LİSTESİ

PARÇA ADI	MİKTAR
Kültivatör Eki	1
Koruma (cıvata ile)	1
Alyen Anahtarı	1
Kullanma kılavuzu	1

TR

AÇIKLAMA

KÜLTİVATÖRÜNÜZÜ TANIYIN (Şek. A)

1. UÇ KAPAK
2. Kültivatör Eki Mili
3. Dişli Kutusu
4. Manşon
5. Dış Bıçaklar
6. İç Bıçaklar
7. Bağlantı Pimleri
8. Korumucu
9. Alyen Anahtarı

MONTAJ

⚠ UYARI: Hasarlı veya eksik parça varsa, bu parçalar değiştirilinceye kadar ürünü çalıştırmayın. Bu ürünün hasarlı veya eksik parçalar ile kullanılması ciddi kişisel yaralanmalara yol açabilir.

⚠ UYARI: Ürünü modifiye etmeye veya bu ürün ile kullanım için tavsiye edilmeyen aksesuarlar kullanmaya çalışmayın. Bu tür değişiklikler veya modifikasyonlar hatalı kullanımdır ve ciddi kişisel yaralanmalara neden olabilen tehlikeli durumlara neden olabilir.

⚠ UYARI: Bıçağı takarken veya çıkarırken veya bıçak üzerinde herhangi bir bakım işlemi sırasında daima koruyucu eldivenler giyin. Bıçağa dikkat edin ve ellerinizi bıçak yaralanmalarından koruyun.

⚠ UYARI: Montaj tamamlanıncaya kadar kültivatörü elektrikli alet başlığına bağlamayın. Uyulmaması kazara başlatmaya ve olası ciddi kişisel yaralanmalara sebep olabilir.

TR

KORUMANIN TAKILMASI

⚠ UYARI: Kültivatör eki elektrikli alet başlığına takılmadan önce korumayı takın.

1. Cıvatayı korumadan alyen anahtarıyla gevşetin ve çıkarın (Şek. B).
2. Kültivatör bağlantı milini çıkarın ve uç kapağını milden çıkarın.
3. Milin ucundaki metal çıkıntı ile korumanın içindeki yuvayı hizalayın, korumayı mildeki vida delikleri ve metal çıkıntıya hizalanana kadar milden geçirin (Şek. C ve D).

4. Korumayı güvenli bir şekilde kilitlemek için cıvatayı saat yönünde sıkarak için alyen anahtarını kullanın.

Şek. D parçalarının açıklaması aşağıdaki gibidir:

D-1	Cıvata
-----	--------

ELEKTRİKLİ ALET BAŞLIĞINA BİR KÜLTİVATÖR EKİ BAĞLAMA

⚠ UYARI: Elektrikli alet başlığı çalışırken veya akü takılı halde iken asla bir aksesuar takmayın veya ayarlamayın. Motorun durdurulmaması ve akünün çıkarılmaması ciddi yaralanmalara neden olabilir.

Bu kültivatör eki EGO Elektrikli Alet Başlığı PH1400E ile kullanılmak üzere tasarlanmıştır.

1. Motoru durdurun ve aküyü çıkarın
2. Elektrikli alet başlığının kuplöründeki kelebek düğmesini gevşetin.
3. Uç kapağı bağlantı milindeyse çıkarın ve daha sonra kullanmak için güvenli bir yere saklayın. Kültivatörün milindeki ok ile kuplördeki oku hizalayın (Şek. E) ve kültivatör milini kuplöre doğru, bir "TIK" sesi duyulana kadar itin (Şek. F).

Şek. E parça açıklaması aşağıdaki gibidir:

E-1	Şaft Çıkarma Düğmesi
E-2	Kuplördeki Ok
E-3	Kelebek Düğmesi
E-4	Ek Şaftındaki Ok
E-5	Kırmızı Çizgi

Şek. F parça açıklaması aşağıdaki gibidir:

F-1	Kırmızı Çizgi
-----	---------------

4. Emniyetli bir şekilde kuplöre kilitletiğinden emin olmak için kültivatör ekinin milini aksesuardan çekin. Değilse, net bir "TIK" sesi duyana kadar , kültivatör milini kuplörde ileri ve geri döndürün.

5. Güvenli bir şekilde kelebek düğmesini sıkın.

⚠ UYARI: Cihazı tamamen çalıştırmadan önce kuplördeki kelebek düğmesini tamamen sıkılmış olduğundan emin olun; ciddi yaralanmalara yol açmamak için kullanım sırasında sıklığını düzenli olarak kontrol edin.

ELEKTRİKLİ ALET KAFASINDAN BİR KESUAR ÇIKARMA

1. Motoru durdurun ve aküyü çıkarın.

- Kelebek düğmesini gevşetin.
- Mil serbest bırakma düğmesi basılıyken, kültivatör eki milini elektrikli alet başlığından çıkarmak için kuptörden dışarı çekin veya bükün.

ÇALIŞTIRMA

⚠ UYARI: Ürüne aşına olmanız sizi dikkatsiz yapmasın. İkinci dereceden bir dikkatsizliğin ciddi yaralanmalara neden olmak için yeterli olduğunu unutmayın.

⚠ UYARI: Daima göz koruması ve kulak koruması kullanın. Böyle yapılmaması sonucu gözlerinize fırlayan nesnelere ciddi kişisel yaralanmalara neden olabilir.

⚠ UYARI: Bu ürünün üreticisi tarafından önerilmeyen ek parça veya aksesuarları kullanmayın. Önerilmeyen parça veya aksesuarların kullanılması ciddi kişisel yaralanmalara neden olabilir.

UYGULAMALAR

Bu ürünü aşağıda listelenen amaçlar için kullanabilirsiniz:

- Yeniden dikim için tohum yatağı hazırlamak için bahçe toprağı kırmak.
- Otların kökünü çıkarmak ya da bitkilerin etrafındaki toprağı gevşetmek, toprağın derinliklerine hava ya da suyun nüfuz etmesini kolaylaştırmak için sığ ekim yapmak.
- Kompost, yaprak veya diğer organik gübreler ile en iyi şekilde toprağı besleme. Sığ ekim, toprağın üst kabuğunu gevşetecek ve eklenen besinleri bütünleştirecektir.
- Gevşemiş topraklarda kanal açma veya oluklama.

DİKKAT: Kültivatör veya ağaçlara zarar vermemek için, büyük ağaç köklerine bıçakları takmamaya dikkat edin. Bazı bitkilerin sığ köklerine zarar verebileceğinden çok derine ekmekten kaçınin.

ELEKTRİKLİ ALET BAŞLIĞI İLE KÜLTİVATÖR EKİNİ KULLANMA

⚠ UYARI: Bu cihazı kullanırken yaralanma riskini azaltmak için uygun şekilde giyinin. Bol giysiler giymeyin veya takı takmayın. Koruyucu gözlük takın. Güvenlik ayakkabıları giyin. Dayanıklı, uzun pantolon, eldiven ve bot giyin. Kısa pantolon, sandalet giymeyin veya çıplak ayakla çalışmayın.

Kültivatörü bir elinizle arka tutma sapından ve diğer elinizle ön destek sapından tutarak kullanın. Kültivatörü kullanırken iki elinizle sağlam bir şekilde tutun. Kültivatör, arka tutma sapı kalça hizasında olacak şekilde rahat bir konumda tutulmalıdır.

Tutuşunuzu ve her iki ayak üzerinde dengeyi koruyun (Şek. G).

Kültivatörü ileri veya geri hareket ettirerek, soldan sağa, sağdan sola veya dairesel bir hareketle çalışabilirsiniz. Amacınıza uygun en iyi yöntemi seçin, bu da alanın ve toprak koşullarının şekline ve boyutuna bağlı olacaktır.

Geriyeye ve ileriye doğru bir hareket halinde çalışmak, sıkışmış toprağı gevşetmek için özellikle uygundur.

Yırtma ya da çatırdama yaparken, yavaşça geriye doğru yürüyün ve kültivatörü çekerek saban izi yaratın. Daha derin izler elde etmek için gerektiği kadar tekrarlayın.

DİKKAT: Kültivatörle toprağı kazarken dikkatli bir şekilde kendinize doğru çekmek, emeğinizi azaltacak ve salınımı kolaylaştıracaktır.

Fırlayan malzemeler operatörü veya üçüncü şahısları ciddi şekilde yaralayabilir. Kişisel yaralanma riskini azaltmak için, aşağıdaki önlemleri almanız önemlidir:

- Bıçaklara atılabilen veya dolanan cam, taş, kaya, beton, çit teli, metal parçaları vb. gibi gizli nesnelere karşı alanı kontrol edin ve varsa bunları temizleyin. Sert veya katı yabancı cisimlerle temastan kaçınin.
- Bıçakları düzenli olarak ve sıklıkla hasar belirtilerine karşı veya sert bir cisme çarptığında inceleyin. Hasarlı bir bıçakla çalışmaya devam etmeyin.
- Çalışırken kültivatörü her zaman iki elinizle tutun. Her iki kolu da sağlam bir şekilde kavrayın.
- Kültivatörü çalışmaya başlamadan önce çalışma alanına taşıyın ve kültivatörü daha düşük bir hızda çalıştırın.
- Her kullanımdan önce hasarlı ve/veya aşınmış parça olup olmadığını kontrol edin. Bıçakları, koruma ve ön tutma kolunu kontrol edin ve çatlak, kıvrılmış, eğik veya hasarlı parçaları değiştirin.

⚠ UYARI: Bıçakları takarken veya sökerken daima iş eldiveni kullanın.

Bıçaklara dikkat edin ve ellerinizi bıçak yaralanmalarından koruyun.

Kültivatörü her kullanımdan sonra temizleyin

ALETİ ÇALIŞTIRMA/DURDURMA

Elektrikli alet başlığı PH1400E'nin kullanım kılavuzundaki "ELEKTRİKLİ ALET BAŞLIĞINI ÇALIŞTIRMA/DURDURMA" bölümüne bakın.

BAKIM

⚠ UYARI: Bakım yaparken sadece aynı olan yedek parçaları kullanın. Diğer parçaların kullanılması tehlike oluşturabilir veya ürünün hasar görmesine neden olabilir. Güvenliği ve güvenilirliği sağlamak için, tüm onarım işlemleri yetkili bir servis teknisyeni tarafından gerçekleştirilmelidir.

⚠ UYARI: Aküyle çalışan aletlerin elektrik prizine takılmalarına gerek yoktur; bu nedenle daima çalışır durumdadırlar. Ciddi kişisel yaralanmayı önlemek için, kesim parçaları veya diğer parçalara bakım veya onarım yaparken veya değişim sırasında ekstra önlemler alın ve dikkatli olun.

⚠ UYARI: Ciddi kişisel yaralanmaları önlemek için, aküyü elektrik alet başlığından çıkarın ve bakım işlemlerini yapmadan, temizlemeden, parça eklerini değiştirmeden önce veya ürün kullanılmadığında tüm bıçakların durmasını bekleyin.

⚠ UYARI: Bıçağı takarken veya çıkarırken veya bıçak üzerinde herhangi bir bakım işlemi sırasında daima koruyucu eldivenler giyin. Bıçağa dikkat edin ve ellerinizi bıçak yaralanmalarından koruyun.

GENEL BAKIM

⚠ UYARI: Fren sıvıları, benzin, petrol bazlı ürünler, içe işleyen yağlar, vb.nin plastik parçalara temas etmesine kesinlikle izin vermeyin. Kimyasal maddeler plastik parçalara hasar verebilir, bu tür parçaları zayıflatılabilir veya parçalayabilir ve bu durum ciddi yaralanmalara neden olabilir.

⚠ UYARI: Kültivatör ekini temizlerken, su veya diğer sıvıların içine DALDIRMAYIN. Makinenizi basınçlı yıkayıcı ile temizlemeyin. Sert su jeti, makinenin parçalarına zarar verebilir.

TR

- Cihazın güvenli koşullarda çalışması için tüm somun, civata ve vidaların sıkı olduğundan emin olun.
- Yangın tehlikesini azaltmak için, motor, susturucu, akü alanını bitkisel materyal ve aşırı yağdan arı tutun.
- Aşınmış veya hasar görmüş parçaları güvenlik nedeniyle değiştirin.

BIÇAK BAKIMI

- Bıçakları düzenli olarak anti-pas yağ ile koruyun.
- Bıçaklardan herhangi birinin aşınma nedeniyle değiştirilmesi gerekiyorsa, en iyi performans için dört bıçağı da değiştirin.

Bu bakım talimatlarında listelenen maddelerin haricindeki tüm kültivatör bakımı, yetkili servis personeli tarafından yapılmalıdır.

Değiştirmek için

Kültivatörün dört bıçağı vardır - iki iç bıçak ve iki dış bıçak. Kültivatörün doğru çalışması için bıçakların doğru yönde takılması gerekir. L ve R sembolleri bıçakların üzerine damgalanmıştır (Şek. H ve I).

Şek. H ve I parça açıklaması aşağıdaki gibidir:

H-1	Tahrik Mili	H-7	Bağlantı Pimleri
H-2	İç Manşon	I-1	Bağlantı Pimleri
H-3	Dış Manşon	I-2	Dış Bıçak "R" Damgalı
H-4	Sembol L	I-3	İç Bıçak "R" Damgalı
H-5	İç Bıçak "L" Damgalı	I-4	Sembol R
H-6	Dış Bıçak "L" Damgalı		

DİKKAT: İKİ YÖNDE DE DİŞLERİ OLAN BIÇAKLAR DİŞLİ KUTUSUNA YAKIN YERE İÇERİ MONTE EDİLMELİDİR

1. Eldiven takın.
2. Dişli kutusunun soluna her iki yönde de bakan dişlere sahip "L" damgalı iç bıçağı yerleştirin.
3. "L" damgalı dış bıçağı (yalnızca tek yönlü diş) aynı yana, dış manşon iç bıçağına bakacak şekilde yerleştirin.
4. Bıçağı tahrik miline sabitlemek için bağlantı pimini kilitleme deliğine-1'e takın. Referans için Şek. J, K, L ve N'ye bakınız.
5. Takılı bıçağı yere dayanarak aleti ters çevirin.
6. Dişli kutusunun sağına her iki yönde de bakan dişlere sahip "R" damgalı iç bıçağı yerleştirin.
7. "R" damgalı dış bıçağı (yalnızca tek yönlü diş) aynı yana, dış manşon iç bıçağına bakacak şekilde yerleştirin.
8. Bıçağı tahrik miline sabitlemek için bağlantı pimini kilitleme deliğine-1'e takın ve ardından bağlantı pimini 90° çevirin. Referans için Şek. J, K, L ve N'ye bakınız.

⚠ UYARI: Ünite düzgün bir şekilde çalışmaz veya bıçaklar yanlış takılmışsa operatör veya bu kişiler için tehlike yaratabilir. Ünitenin ekim işleminde bir sorun olduğunu fark ederseniz, bıçak konumunun düzgün olduğunu kontrol edin.

İKİ YÖNE BAKAN DİŞLERİ OLAN BIÇAKLAR İÇERİ , DİŞLİ KUTUSUNA EN YAKIN KONUMA MONTE EDİLMELİDİR.

Ayarlama

Kapalı bir alanda veya sıralar arasında ilerlerken, k ltivat r sadece i bıaklar takılı halde kullanılabilir.

İki dıř bıađı (Őek. M) ıkarmak iin eldiven takın ve iki bađlantı pimini ıkarın ve ardından bađlantı pimlerini kilitleme deliđine (2) takın (Őek. N ve O).

Őek. N para aıklaması aŐađıdaki gibidir:

N-1	Kilitleme deliđi-1
N-2	Kilitleme deliđi-2

DİKKAT: Bıakları tahrik miline takarken veya ıkarırken zorlamayın. Bıakları ıkarırken zorluk yaŐarsanız, mile biraz yađ uygulayın. Bıakları yeniden takarken, tahrik milinin ve bıakların temizlendiđinden ve yađlandıđından emin olun.

CİHAZIN TEMİZLENMESİ

K kler gibi bitki paraları alıŐma sırasında d nen bıakların etrafına sıklıkla sarılabilir. D nen bıakları temizlemek iin:

- Ak y  ıkarın.
- Eldiven takın. K k, tıkanmıŐ toprak veya bitki paralarını bıak, koruyucu veya diŐli kutusundan temizleyin. Derinlemesine temizlik iin, bıakları iyice yıkayarak temizleyin. Detaylı deđiŐtirme adımları iin l tfen yukarıdaki b l me bakınız.

“BıAKLARIN DEĐİŐTİRİLMESİ VEYA AYARLANMASI”.

- Cihazın y zeyini, yumuŐak sabun sol syonu ile nemlendirilmiŐ temiz bir bezle silin

CİHAZIN SAKLANMASI

- Ak y  cihazdan ıkarın.
- K ltivat r ekini elektrikli alet baŐlıđından s k n ve kavramanın kirlenmesini  nlemek iin bađlantı milini u kapak ile kapatın.
- Aleti ocukların ulaŐamayacađı kuru, iyi havalandırılmıŐ bir yerde muhafaza edin. Cihazı g bre, benzin veya diđer kimyasal maddelerin yakınında saklamayın.

evre koruması



Elektrikli cihazları, ak  Őarj cihazını ve ak leri/Őarj edilebilir ak leri evsel atıklarla birlikte atmayın! AB Yasası 2012/19/EU uyarınca, kullanılmaz durumdaki elektrikli ve elektronik cihazlar ve AB Yasası 2006/66/EC uyarınca, arızalı veya kullanılmıŐ ak ler/piller ayrı olarak toplanmalıdır. Elektrikli cihazlar katı atık sahaları veya  p toplama alanlarına atılırsa, yer altı sularına ve besin zincirine tehlikeli maddeler sızabilir, bu da sađlıđınızın bozulmasına yol aabilir.

SORUN GİDERME

SORUN	NEDENİ	ÇÖZÜM
Kültivatör başlatılmıyor.	<ul style="list-style-type: none">■ Akü elektrikli alet başlığına düzgün şekilde takılı değil.■ Elektrikli alet başlığı ve akü arasında elektrik bağlantısı yok.■ Akü boşalmış.■ Kilitleme kolu ve tetiğe aynı anda basılmıyor.	<ul style="list-style-type: none">■ Aküyü elektrikli alet başlığına takın.■ Aküyü çıkarın, temas noktalarını kontrol edin ve yerine oturacak şekilde aküyü yeniden takın.■ Aküyü bu kılavuzda belirtilen EGO şarj cihazları ile şarj edin.■ Kilitleme koluna basın ve basılı tutun, ardından üniteyi çalıştırmak için tekrar tetiğe basın.
Kültivatör salınırken duruyor.	<ul style="list-style-type: none">■ Motora aşırı yüklenilmiş.■ Akü çok sıcak.■ Bıçaklar sıkışmış.■ Akü ile aletin bağlantısı kesilmiş■ Akü bitmiş	<ul style="list-style-type: none">■ Yük kaldırıldığında motor normale dönecektir. Sürekli çalışma için, kültivatör üzerindeki yükü azaltın ve derinde salınmaktan kaçının; bunun yerine aşamalı olarak daha derin kesier yapın.■ Akünün veya ünitenin sıcaklığının 67°C 'nin altına düşmesini ve soğumasını bekleyin.■ Aküyü elektrikli alet başlığından çıkartın, bıçakları, bıçaklar arasındaki veya bıçaklar ve dişli kutusu arasındaki taşları çıkarmak için manuel olarak ileri geri döndürün.■ Aküyü yeniden takın.■ Aküyü bu kılavuzda belirtilen EGO şarj cihazları ile şarj edin.

TR

GARANTİ

EGO GARANTİ POLİTİKASI

EGO Garanti politikasına ilişkin tüm hüküm ve koşullar için, lütfen egopowerplus.com adresindeki web sitemizi ziyaret edin.

LUGEGE KÕIKI JUHISEID!



LUGEGE JUHEND LÄBI JA TEHKE SEE ENDALE SELGEKS

⚠ Kaasnev risk! Inimesed, kes kasutavad elektroonilisi seadmeid, nt südamestimulaatorit, peaksid enne selle toote kasutamist konsulteerima oma arstiga. Elektriseadmete kasutamine südamestimulaatori läheduses võib põhjustada südamestimulaatori häireid või rikkeid.

⚠ HOIATUS: Ohutuse ja töökindluse tagamiseks tohivad seda seadet remontida ainult vastava kvalifikatsiooniga hooldustehnikud.

OHUTUSSÜMBOLID

Ohutussümbolite eesmärk on tõmmata teie tähelepanu võimalikele ohtudele. Ohutussümbolitele ja nende juures olevatele seletustele tuleb korralikult tähelepanu pöörata ja need endale selgeks teha. Ohutussümbolid iseenesest ei kõrvalda ohu olemasolu. Nendega kaasnevad juhendid ja hoiatused ei asenda korralikke õnnetuste vältimise meetmeid.

⚠ HOIATUS: Enne käesoleva seadme kasutamist lugege kindlasti läbi ja tehke endale selgeks kõik Kasutusjuhendis toodud ohutusjuhised, sh kõik ohutussümbolid nagu „OHT,“ „HOIATUS,“ ja „ETTEVAATUST“. Kui te ei järgi kõiki allpool toodud juhiseid, võib tekkida elektrilöögi, tulekahju ja/või raske kehavigastuse oht.

SÜMBOLITE TÄHENDUSED

⚠ Ohutusteate sümbol: tähistused **OHT, HOIATUS VÕI ETTEVAATUST**. Võidakse kasutada koos teiste sümbolite või piktograafidega.



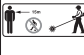




⚠ Hoiatus! Mis tahes elektriliste tööriistade kasutamine võib põhjustada võõrkehade paiskumist silma, mis võib põhjustada raskeid silmakahjustusi. Kandke elektriliste tööriistade kasutamise ajal alati külgakaitsetega kaitseprille ja vajadusel täielikku näokaitset. Soovitame kanda prillide peal laia vaatealaga kaitsemaski või tavalisi külgakaitsetega kaitseprille.

OHUTUSJUHISED

Sel lehel on kujutatud ja kirjeldatud ohutusesümboliteid, mida võib käesolevalt tootelt leida. Enne, kui üritate masinat kokku panna ja kasutada, lugege, tehke omale selgeks ja järgige kõiki juhiseid.

	Ohutusteade	Viitab kehavigastuste ohule.
	Lugege kasutusjuhend läbi ja tehke see endale selgeks	Et vähendada vigastuste ohtu, peab kasutaja enne toote kasutamist lugema kasutusjuhendit ja selle endale selgeks tegema.
	Kasutage kuulmiskaitsevahendeid	Kasutage selle seadmega töötades alati kuulmiskaitset.
	Kandke kaitseprille	Kandke selle seadmega töötades alati kaitseprille või külgakaitsetega kaitseprille.
	Kandke kaitsekindaid	Terasid käsitledes kandke käte kaitsmiseks kindaid. Tugevad ja mittelibisevast materjalist kindad tugevdavad haaret ja kaitsevad käsi.
	Kandke turvajalanõusid	Tööriista kasutamisel kandke mittelibisevaid turvajalanõusid.
	Rikošett	Esemed võivad rikošetiga tagasi lennata ja tekitada vigastusi inimestele või vara kahjustumist.
	Ärge pange jalgu masina lähedusesse	Lõikevigastuste ohtu vähendamiseks hoidke jalgu pöörlevatest teradest eemal.

ET

	Ärge laske kellelgi töö ajal enda lähedal seista	Hoidke kõrvalised isikud ohutus kauguses
	CE	Toode vastab rakendatavatele EÜ direktiividele.
	WEEE	Elektritoote jätetust ei tohi vabaneda olmejäätmete seas. Viige heaks kiidetud taaskäitleja juurde.
	Müra	Garanteeritud helivõimsuse tase.
	Vältige seadme kokku-puudet vihmaga	Ärge kasutage seadet vihmase ajal ja ärge jätke seadet vihma kätte.
IPX4	JP-sümbol	4. astme kaitse vee sissepääsu vastu
V	volti	Pinge
mm	Millimeeter	Pikkus või suurus
kg	Kilogramm	Kaal

ÜLDISED MOOTORIGA TÖÖRIISTADE HOIATUSED

⚠ HOIATUS: lugege läbi kõik elektritööriistaga kaasas olevad hoiatused, juhised, joonised ja andmed. Alltoodud juhiste eiramine võib põhjustada elektrilööki, tulekahju ja/või raskeid vigastusi.

Säilitage hoiatused ja juhised hilisemaks kasutuseks.

ET

TÖÖPIIRKONNA OHUTUS

- Tööpiirkond peab olema puhas ja hästi valgustatud. Segadus või valgustamata tööpiirkonnad suurendavad õnnetuste tõenäosust.
- Ärge kasutage elektritööriistu plahvatusohtlikes keskkondades, näiteks kergesti süttivate vedelike, gaaside või tolmu läheduses. Elektritööriistad tekitavad sädemid, mis võivad süüdata tolmu või auru.

- Mootoriga tööriistadega töötamisel hoidke lapsed ja kõrvalseisjad eemal. Tähelepanu hajumisel võite kaotada kontrolli seadme üle.

ELEKTRILINE OHUTUS

- Ärge jätke elektrilisi tööriistu vihma kätte ega niisketes tingimustes. Vee sattumine elektrilise tööriista sisse suurendab elektrilöögi ohtu.

ISIKLIK OHUTUS

- Olge tähelepanelik, töötage hoolikalt ja kasutage tervet mõistust. Ärge kasutage elektrilist tööriista, kui olete väsinud või tarvitanud narkootikume, alkoholi või ravimeid. Vaid hetkeline tähelepanematus mootoriga tööriista kasutamisel võib põhjustada raskeid kehavigastusi.
- Kasutage alati isikukaitsevahendeid. Töötingimustele vastavate isikukaitsevahendite (nt silmakaitsevahendite, tolmu maski, mittelibisevate turvajalanõude, kiivri ja/või kuulmiskaitsevahendite) kasutamine vähendab kehavigastuste ohtu.
- Ennetage tööriista juhuslikku käivitumist. Enne seadme ühendamist akuplokiga, seadme kätte võtmist või kandmist veenduge, et lüliti on välja lülitatud asendis. Elektritööriistade kandmine sõrme lülitil hoides või akuploki ühendamine, kui lüliti on sisse lülitatud, põhjustab õnnetusi.
- Enne elektritööriista sisse lülitamist eemaldage sellel reguleerimis- ja nutrivõtmed. Elektritööriista liikuva osa külge unustatud võtmed vms tööriistad võivad põhjustada kehavigastusi.
- Ärge küünitage liiga kaugele. Töötage ainult kindlal maapinnal ja kohtades, kus pole ohtu tasakaalu kaotada. Nii säilitate tööriista üle ootamatutes olukordades parema kontrolli.
- Riietuge asjakohaselt. Ärge kandke rõivaid ega ehteid. Vältige oma juuste ja riiete kokkupuudet liikuvate osadega. Avarad rõivad, ehted ja pikad juuksed võivad liikuvate osade vahele kinni jääda.
- Kui tootega on kaasas vahendid tolmu kogumiseks ja väljavõtuseadmete ühendamiseks, veenduge, et need seadmed on korralikult ühendatud ja korrektses kasutuses. Tolmu kogumise seadmete kasutamine vähendab tolmu seotud ohtusid.
- Kui seade on teile sagedase kasutamise tulemusel harjumuspäraseks saanud, ärge laske ennast lödvaks ega ignoreerige tööriista kasutamise ohutusreegleid. Hooletuse tõttu võite saada raskeid vigastusi ka sekundi murdosa jooksul.

AKUSEADMETE KASUTAMINE JA HOOLDUS

- Ärge rakendage tööriista kasutamisel jõudu. Kasutage konkreetseks tööks sobivat tööriista. Sobiva tööriistaga sobival kiirusel töötades, saate töö valmisi kiiresti ja ohutult.
- Ärge kasutage tööriista, mida ei saa lülitist sisse ja välja lülitada. Elektrilised tööriistad, mille lüliti ei tööta, on ohtlikud ja tuleb parandada.
- Eemaldage akuplokk seadme küljest (kui see on eemaldatav) ja/või aktiveerige aku lahtiühendamise seadised enne, kui alustate ummistunud materjali eemaldamist, seadme reguleerimist, tarvikute vahetamist, seadme puhastamist või selle hoiustamist. Selliste ohutusmeetmete rakendamisel vähendate elektritööriista juhusliku käivitamise võimalust.
- Tööriistu, mida te hetkel ei kasuta, hoidke lastele kättesaamatus kohas ning ärge lubage nendega töötada isikutel, kes pole tööriistade tööpõhimõtetega või käesoleva juhendiga tutvunud. Koolitamata isikute käes on elektrilised tööriistad ohtlikud.
- Hooldage nii elektritööriistu kui tarvikuid. Kontrollige, et tööriista liikuvad osad on korrektselt kohakuti ega ole takistatud ega katki ning jälgige ka muid aspekte, mis võiksid tööriista tööd mõjutada. Kahjustuste leidmisel laske tööriist enne järgmist kasutust remontida. Halvasti hooldatud tööriistad ja tarvikud on paljude õnnetuste põhjuseks.
- Hoidke oma tööriista teravate ja puhastena. Korralikult hooldatud ja teravate servadega lõikeääred ei paindu nii kergesti ja on lihtsamini juhitavad.
- Kasutage tööriista, selle lisakomponente, tööriistaosi jm vastavalt käesolevale juhendile, võttes arvesse töötingimusi ja teostatavat tööd. Tööriista mitte-eesmärgipärane kasutamine võib põhjustada ohtlikke olukordi.
- Hoidke käepidemed ja haardepinnad kuivad ja puhtad ning vältige neile õli ja rasva sattumist. Libedad käepidemed ja haardepinnad võivad põhjustada
- käsitsemise ajal ohtu ja/või seadme üle kontrolli kaotamist.
- Hoidke juhtmed seadme tööpiirkonnast eemale. Töö ajal võivad juhtmed varjatud olla ning te võite neid seadmega kogemata kahjustada.

AKUSEADMETE KASUTAMINE JA HOOLDUS

- Kasutage laadimiseks ainult tootja poolt ette nähtud laadijaid. Akulaadija, mis sobib teatud tüüpi akuplokile, võib põhjustada tulekahju ohtu, kui seda kasutada mõne teise akuplokiga.
- Kasutage elektrilisi tööriistu ainult nende jaoks ette nähtud akuplokkidega. Mõne muu akuploki kasutamine võib põhjustada vigastuste ja tulekahju ohtu.

- Kui akut ei kasutata, hoidke seda eemal muudest metallesemetest nagu kirjakkambritest, müntidest, võtmetest, naeltest, kruvidest ja muudest väikestest metallesemetest, mis võivad klemmide vahel ühenduse luua. Aku klemmide lühiühendus võib põhjustada põletushaavu ja tulekahju ohtu.
- Valedes tingimustes kasutamisel võib akut vedelikku välja tulla; vältige kokkupuudet sellega. Kokkupuute tekkimisel loputage veega. Kui vedelik satub silma, pöörduge lisaks ka arsti poole. Akust väljuv vedelik võib põhjustada ärritust või põletusi.
- Ärge kasutage kahjustunud või modifitseeritud akuplokki või tööriista. Kahjustunud või modifitseeritud akud võivad toimida ettearvamatu, mille tagajärjeks võivad olla tulekahju, plahvatus või vigastuste oht.
- Vältige akuploki või tööriista kokkupuudet tule või liiga kõrge temperatuuriga. Kokkupuude lahtise tule või temperatuuriga üle 130 °C võib põhjustada plahvatus.
- Järgige kõiki laadimisjuhiseid ja ärge laadige akuplokki või tööriista vale temperatuuri juures (vt juhiseid). Valesti või valel temperatuuril laadimine võib kahjustada akut ja suurendada tulekahju ohtu.

MUUD OHUTUSHOIATUSED

KOOLITUS

- Lugege juhend hoolikalt läbi. Tutvuge juhtseadmetega ja seadme korrektse kasutamise põhimõtetega.
- Ärge lubage seadet kasutada lastel ega inimestel, kes pole tutvunud käesoleva juhendiga. Kohalikud seadused võivad seada seadme kasutajatele vanusepiiranguid.
- Ärge kasutage seadet teiste inimeste (eriti laste) või loomade läheduses.
- Pidage meeles, et seadme kasutaja vastutab teiste inimeste või nende varaga juhtuvate õnnetuste eest.

ETTEVALMISTUS

- Töötamise ajal kandke alati tugevaid jalatseid ja pikki pükse. Ärge kasutage seadet paljajalu või lahtiste jalanõudega.
- Kontrollige hoolikalt tööala ja eemaldage seal kõik esemed, mida seade õhku võib paisata.
- Enne tööriistade kasutamist vaadake need alati üle, et näha, ega need pole kulunud või kahjustunud. Ühtlase töötulemuse huvides vahetage kulunud või kahjustunud osasid ja polte alati kompleksits.

KASUTAMINE

- Ärge laske mootoril töötada suletud ruumis, kus ohtlik vingugaas koguneda võib.

ET

- Kasutage seadet ainult päevasel ajal või hea kunstliku valgustusega.
- Kallakutel jälgige jalgealust eriti tähelepanelikult.
- Ärge kunagi seadmega jookske, vaid kõndige.
- Ratastega seadmete puhul liikuge kallakutel ristisuunaliselt, mitte üles-alla.
- Kallakutel suunda muutes olge eriti ettevaatlik.
- Ärge kasutage seadet väga järskul kallakutel.
- Seadmega tagurdades või seda enda poole tõmmates olge väga ettevaatlik.
- Ärge muutke mootori kiirusregulaatori seadistusi ega laske mootoril liiga suure kiirusega töötada.
- Käivitage mootor ettevaatlikult vastavalt tootja juhiste ja nii, et teie jalad ei oleks tööriistale liiga lähedal.
- Ärge asetage oma käsi või jalgu pöörlevate osade lähedale või alla.
- Ärge kunagi tõstke ega kandke töötava mootoriga seadet.
- Kasutage ainult joonisel A esitatud akuplokke ja laadijaid.

TÖÖTAMINE KALLAKUL

Kallakutel esineb kõige sagedamini libisemisi ja kukkumisi, mille tulemuseks võib olla raske vigastus. Kallakutel jälgige jalgealust eriti tähelepanelikult. Kallakutel töötades tuleb olla eriti tähelepanelik. Kui tunnete ennast kallakul ebakindlalt, ärge seal töötage.

- Jälgige auke, roopaid, kive, peidetud takistusi ja mügarikke, mis võivad põhjustada libisemist või komistamist. Pikas murus võib leiduda takistusi.

HOOLDUS

- Laske oma akutööriista hooldada kvalifitseeritud remonditehnikul, kes kasutab ainult identseid originaalvaruosi. See tagab akuploki ohutuse säilimise.
- Ärge kunagi hooldage kahjustunud akuplokke. Akuplokkide hooldust võib teostada ainult tootja või volitatud teeninduskeskus.

⚠ HOIATUS: lugege läbi kõik elektritööriistaga kaasas olevad hoiatused, juhised, joonised ja andmed. Alltoodud juhiste eiramine võib põhjustada elektrilööki, tulekahju ja/või raskeid vigastusi. Säilitage hoiatused ja juhised hilisemaks kasutuseks.

HOIDKE SEE KASUTUSJUHEND ALLES

SPETSIFIKATSIOONID

Freesimislaius	240 mm	
Freesimissügavus	215 mm	
Tera suurus	215 mm	
Töötemperatuur	0°C-40°C	
Hoiustamistemperatuur	-20°C-70°C	
Kaal (kaitsepiirdega)	3,9 kg	
Mõõdetud helivõimsuse tase L_{WA}	87,6 dB(A) K=2,02 dB(A)	
Helirõhk seadme tööasendis L_{PA}	77,0 dB(A) K=3 dB(A)	
Garanteeritud helivõimsuse tase L_{WA} (mõõdetud vastavalt direktiivile 2000/14/EÜ)	90 dB(A)	
Vibratsioon a_h mõõtmine:	Eesmine abikäepide	0,94 m/s ² K= 1,5 m/s ²
	Tagumine käepide	1,24 m/s ² K= 1,5 m/s ²

- Ülaltoodud näitajaid on testitud ja mõõdetud, kasutades toitepead PH1400E.
- Ametlik vibratsiooni koguväärtus on mõõdetud standardsete testmeetodite kohaselt ja seda võib kasutada erinevate tööriistade võrdlemiseks.
- Ametlikku vibratsiooni koguväärtust võib kasutada ka algse kokkupuutehinnangu andmiseks.

MÄRKUS: elektritööriista tegelikul kasutamisel tekkiv vibratsioonitase võib ametlikult märgitust erineda; turvalisuse eesmärgil peaks seadme kasutaja kandma tegelikes töötingimustes kindaid ja kuulmiskaitsevahendeid.

PAKENDI LOEND

OSA NIMI	KOGUS
Kultivaator	1
Kaitsepiire (poldiga)	1
Kuuskantvõti	1
Kasutusjuhend	1

KIRJELDUS

TUNNE OMA KULTIVAATORIT (joon. A)

1. OTSAKORK
2. Kultivaatori vars
3. Kiiruskast
4. Muhv
5. Välimised terad
6. Sisemised terad
7. Kinnitusplint
8. Kaitsepiire
9. Kuuskantvõti

SEADE

⚠ HOIATUS: Kui mõni osa on kahjustatud või puudub, ärge kasutage seadet enne kui see osa on parandatud. Kasutades kahjustatud või vajalike komponentideta seadet, võite saada raskeid vigastusi.

⚠ HOIATUS: ärge üritage seadet ümber ehitada ega kasutada tarvikuid, mis pole mõeldud selle seadmega koos kasutamiseks. Kõik niisugused muudatused loetakse väärkasutuseks ja need võivad põhjustada ohtlikke olukordi, mis võivad lõppeda raskete vigastustega.

⚠ HOIATUS: tera paigaldamisel või eemaldamisel ning tera hooldustööde teostamisel kandke alati tugevast materjalist kindaid. Olge teraga ettevaatlik ja kaitske oma käsi löikevigastuste eest.

⚠ HOIATUS: ärge ühendage kultivaatorit toitepea külge enne kokkupaneku lõpetamist. Nõude mittejärgimine võib tuua kaasa seadme juhusliku käivitumise ja põhjustada raskeid kehavigastusi.

KAITSEPIIRDE PAIGALDAMINE

⚠ HOIATUS: paigaldage kaitsepiire enne, kui kultivaatori toitepeaga ühendate.

1. Keerake kaitsepiirde polt kuuskantvõtmega lahti ja eemaldage see (joon. B).
2. Tõstke kultivaatori vars ja eemaldage selle küljest otsakork.
3. Pange kaitsepiirdes olev süvend kohakuti varre lõpus oleva metall-lapatsiga, libistage kaitsepiiret, kuni kaitsepiirdes ja metall-lapatsis olevad poltide augud on kohakuti (joon. C ja D).
4. Kasutage kuuskantvõtit, et polti päripäeva keerata ja kaitsepiire kindlalt paika lukustada.

Joonise D osade kirjeldus on toodud allpool:

D-1	Polt
-----	------

KULTIVAATORI ÜHENDAMINE TOITEPEAGA

⚠ HOIATUS: ärge kunagi paigaldage või reguleerige ühtegi tarvikut, kui mootor töötab või aku on paigaldatud. Mootori peatamata jätmine või aku eemaldamata jätmine võib põhjustada raskeid vigastusi.

See kultivaator on mõeldud kasutamiseks EGO toitepeaga PH1400E.

1. Seisake mootor ja eemaldage akuplokk.
2. Keerake toitepea haakeseadmel olev tiibnupp lahti.
3. Kui otsakork on kultivaatori varrel, eemaldage see ja pange hilisemaks kasutamiseks kindlasse kohta. Pange kultivaatori varrel olev nool haakeseadmel oleva noolega kohakuti (joon. E) ja lükake kultivaatori vart haakeseadmesse, kuni kuulete klõpsatust (joon. F).

Joonise E osade kirjeldus on toodud allpool:

E-1	Varre vabastusnupp
E-2	Haakeseadmel asuv nool
E-3	Tiibnupp
E-4	Kultivaatori varrel asuv nool
E-5	Punane joon

Joonise F osade kirjeldus on toodud allpool:

F-1	Punane joon
-----	-------------

4. Tõmmake kultivaatori vart kergelt, et veenduda, et see on kindlalt haakeseadmesse lukustatud. Kui vars ei ole kindlalt lukustatud, pöörake kultivaatori vart haakeseadmes edasi ja tagasi, kuni kuulete selget klõpsatust, mis annab märku, et vars on paigas.
5. Keerake tiibnupp tugevalt kinni.

⚠ HOIATUS: veenduge enne seadme kasutamist, et haakeseadmel olev tiibnupp on pingul; kontrollige seda perioodiliselt ka kasutamise ajal, et vältida tõsiste kehavigastuste tekkimist.

TARVIKU TOITEPEALT EEMALDAMINE

1. Seisake mootor ja eemaldage akuplokk.
2. Keerake tiibnupp lahti.
3. Kultivaatori eemaldamiseks toitepea küljest hoidke varre vabastusnupu all ja tõmmake või keerake kultivaatori vars haakeseadmest välja.

KASUTAMINE

⚠ HOIATUS: Ärge muutuge toodet tundma õppides hooletuks. Pidage meeles, et raskeid vigastusi põhjustavaks õnnetuseks piisab ka sekundi murdosa pikkusest tähelepanematuses.

⚠ HOIATUS: kasutage alati silma- ja kuulmiskaitsevahendeid. Vastasel juhul võivad esemed teile silma lennata või te võite muul viisil vigastada.

⚠ HOIATUS: Ärge kasutage lisaseadmeid või -tarvikuid, mida selle seadme valmistaja pole soovitanud. Mittesoovituslike lisaseadmete või -tarvikute kasutamine võib põhjustada raskeid kehavigastusi.

RAKENDUSED

Seda seadet võib kasutada järgnevatel eesmärkidel:

- aias pinnase murendamine, et külvipeenraid taasisutuseks ette valmistada;
- pinnase kobestamine, et umbrohtu üles juurida või taimede ümber pinnast kobestada, nii et veel ja õhul oleks hõlpsam sügavale pinnasesse imbuda;
- pinnase väetamine komposti, lehtede või muude orgaaniliste väetistega. Pinnase kobestamine muudab mulla ülemise kihi kobedaks ja lisatud toitained hajuvad mullas ühtlaselt;
- kobestatud mullas kraavide kaevamine ja vagude ajamine.

MÄRKUS: vältimaks nii kultivaatori kui puude vigastamist jälgige, et terad ei läheks vastu suuri puujuuri. Vältige liiga sügavalt kobestamist, kuna see võib vigastada mõnede taimede pindmisi juuri.

KULTIVAATORI KASUTAMINE KOOS TOITEPEAGA

⚠ HOIATUS: kandke sobivat riietust, et vältida tööriista kasutamise käigus vigastuste teket. Ärge kandke ehteid ega avaraid riideid. Kandke silmakaitsevahendeid. Kandke turvajalanõusid. Kandke tugevast materjalist pikki pükse, saapaid ja kindaid. Ärge kandke lühikesi pükse või sandaale ega töötaga paljajalu.

Hoidke kultivaatorit ühe käega tagumisest käepidemest ja teise käega eesmisest abikäepidemest. Kultivaatoriga töötamise ajal hoidke mõlema käega kindlalt käepidemetest kinni. Hoidke kultivaatorit mugavas asendis, nii et tagumine käepide jääb umbes puusade kõrgusele.

Säilitage haare ja tasakaal mõlemal jalal (joon. G).

Saate töötada nii, et liigutate kultivaatorit ette või taha, vasakult paremale, paremalt vasakule, või siis ringikujuliste liigutustega. Valige viis, mis teie jaoks kõige paremini sobib, võttes arvesse tööala suurust ja kuju ning mullastikutingimusi.

Töötamise ajal kultivaatori vaheldumisi ettepoole ja tahapoole liigutamine sobib eriti hästi tiheda mulla kobestamiseks.

Kui teete kraave või vagusid, kõndige aeglaselt tagurpidi ja tõmmake kultivaatorit enda järel, tekitades niimoodi vao. Kui vaja, korrake seda sügavamate vagude saamiseks.

MÄRKUS: kui tõmbate kultivaatorit ettevaatlikult enda poole, samal ajal kui see pinnast kaevab, vähendab see teie jõupingutusi ja muudab mulla freesimise lihtsamaks.

Lendavad materjalid võivad seadmega töötavat või kõrvalisi isikuid raskelt vigastada. Vigastuste ohu vähendamiseks on oluline järgida altooludud ettevaatusabinõusid.

- Kontrollige ala ja eemaldage sealt kõik varjatud esemed, näiteks klaasi, väikesed ja suured kivid, betooni, aiatraadi, metallitükid ja muu, mida terad võivad õhku paisata või mis võib ümber terade mähkuda. Vältige kokkupuudet kõvade või tahkete võõrkehadega.
- Kontrollige terasid regulaarselt ja sageli või pärast seda, kui need mõne kõva objekti vastu lähevad, ning veenduge, et terad pole kahjustada saanud. Ärge jätkake töötamist kahjustunud teraga.
- Kui kultivaatoriga töötate, hoidke seda alati kahe käega. Hoidke mõlemast käepidemest kindlalt kinni.
- Viige kultivaator tööalale enne, kui selle käivitata, ja käivitage see madalal kiirusel.

Enne iga kasutuskorda kontrollige, ega seadme osad kulunud ja/või kahjustunud pole. Kontrollige terasid, kaitsepiiret ja eesmist abikäepidet ning vahetage välja kõik pragunenud, kõverdunud, paindunud või ükskõik millisel moel kahjustunud osad.

Puhastage kultivaator pärast iga kasutuskorda.

TÖÖRIISTA KÄIVITAMINE/PEATAMINE

Luige toitepea PH1400E kasutusjuhendist jaotist „TOITEPEA KÄIVITAMINE/PEATAMINE“.

HOOLDUS

▲ HOIATUS: Remontimisel kasutage vaid originaalvaruosi. Mis tahes muude osade kasutamine võib põhjustada ohtlikke olukordi või seadet vigastada. Ohutuse ja töökindluse tagamiseks tohivad seda seadet remontida ainult vastava kvalifikatsiooniga hooldustehnikud.

▲ HOIATUS: akuga töötavaid tööriistu pole vaja vooluvõrku ühendada, seega on nad alati töörežiimis. Raskete kehavigastuste ennetamiseks olge väga hoolikas, kui teostate hooldus- või remonttöid või vahetate lõikeseadmeid või muid tarvikuid.

▲ HOIATUS: raskete kehavigastuste vältimiseks eemaldage akuplokk toitepea küljest ja oodake, kuni kõik terad on seiskunud, enne kui seadet hooldate, puhastate või selle tarvikuid vahetate või kui seadet ei kasutata.

▲ HOIATUS: tera paigaldamisel või eemaldamisel ning tera hooldustööde teostamisel kandke alati tugevast materjalist kindaid. Olge teraga ettevaatlik ja kaitske oma käsi lõikevigastuste eest.

ÜLDINE HOOLDUS

▲ HOIATUS: ärge kunagi laske pidurivedelikel, bensinil, naftal põhinevatel toodetel, läbitungivatel õlidel jms plastosadega kokku puutuda. Kemikaalid võivad plasti vigastada, nõrgestada või hävitada, mille tulemusena võivad tekkida rasked kehavigastused.

▲ HOIATUS: kultivaatori puhastamisel ÄRGE kastke seda vette ega ühegi teise vedeliku sisse. Ärge puhastage oma seadet survepesuriga. Tugev veejuga võib seadme osasid kahjustada.

- Ohutute töötingimuste tagamiseks jälgige regulaarselt, et kõik mutrid, poldid ja kruvid oleksid kinni.
- Tuleoahu vähendamiseks hoidke mootor, summuti ja akulahter taimsest materjalist ja üleliigsest määrdainest vaba.
- Vahetage kulunud või kahjustatud osad ohutuse tagamiseks välja.

TERA HOOLDUS

- Hooldage terasid regulaarselt roostetõrjeõliga.
- Kui mõni teradest kulumise tõttu väljavahetamist vajab, vahetage parimate töötulemuste tagamiseks välja kõik neli tera.

Kultivaatori kõiki hooldustoiminguid, välja arvatud neid, mis on loetletud sinistes hooldusjuhistes, peavad läbi viima volitatud hooldustehnikud.

Asendamine

Kultivaatoril on neli tera – kaks sisemist tera ja kaks välimist tera. Kultivaatori korrektse töö tagamiseks peavad terad olema paigaldatud õiges suunas. Sümbolid L („V“) ja R („P“) on teradele pressitud (joon. H ja I).

Jooniste H ja I osade kirjeldus on toodud allpool:

H-1	Veovõll	H-7	Kinnitussplint
H-2	Sisemine muhv	I-1	Kinnitussplint
H-3	Välimine muhv	I-2	Välimine tera märkega „R“ („P“)
H-4	Sümbol L („V“)	I-3	Sisemine tera märkega „R“ („P“)
H-5	Sisemine tera märkega „L“ („V“)	I-4	Sümbol R („P“)
H-6	Välimine tera märkega „L“ („V“)		

MÄRKUS: TERAD, MILLE PIID VAATAVAD MÖLEMASSE SUUNDA, TULEB PAIGALDADA SISSEPOOLE, KIIRUSKASTILE LÄHEMALE.

1. Kandke kindaid.
2. Asetage sisemine tera, millel on märged „L“ („V“) ja mille piid vaatavad mõlemasse suunda, kiiruskastile vasakule.
3. Asetage välimine tera, millel on märged „L“ („V“) (piid vaatavad ainult ühes suunas), samale poole, nii et välimine muhv on vastu sisemist tera.
4. Et tera veovõlli külge kinnitada, sisestage kinnitussplint lukustusavasse 1. Vaadake lähemalt joonistelt J, K, L ja N.
5. Pöörake tööriist ümber, nii et paigaldatud tera jääb maapinnale lebama.
6. Asetage sisemine tera, millel on märged „R“ („P“) ja mille piid vaatavad mõlemasse suunda, kiiruskastile paremale.
7. Asetage välimine tera, millel on märged „R“ („P“) (piid vaatavad ainult ühes suunas), samale poole, nii et välimine muhv on vastu sisemist tera.
8. Et tera veovõlli külge kinnitada, sisestage kinnitussplint lukustusavasse 1 ja seejärel pöörake kinnitussplinti 90°. Vaadake lähemalt joonistelt J, K, L ja N.

ET

⚠ HOIATUS: kui terad ei ole korrektselt paigaldatud, ei tööta seade korralikult või võib seadmega töötajale või kõrvalseisjale ohtlik olla. Kui märkate, et seadme töötamise ajal esineb mulla kobestamisega probleeme, kontrollige, kas terad on õiges asendis.

TERAD, MILLE PIID VAATAVAD MÕLEMASSE SUUNDA, TULEB PAIGALDADA SISSEPOOLE, KIIRUSKASTILE LÄHEMALE.

Reguleerimine

Kui freesite mulda piiratud alal või vagude või peenarde vahel, saab kultivaatorit kasutada ka nii, et paigaldatud on üksnes sisemised terad.

Kandke kindaid ja eemaldage kaks kinnitusplinti, et eemaldada kaks välimist tera (joon. M), seejärel sisestage kinnitusplindid lukustusavasse 2 (joon. N ja O).

Joonise N osade kirjeldus on toodud allpool:

N-1	Lukustusava 1
N-2	Lukustusava 2

MÄRKUS: ärge suruge terasid veovõlli otsa või veovõlliit ära jõuga. Kui terad ei taha ära tulla, kandke võlliile veidi immutusõli. Kui terasid tagasi paigaldate, puhastage ja õlitage kindlasti nii veovõll kui terad.

SEADME PUHASTAMINE

Mõned taimeosad, näiteks juured, võivad töötamise käigus tihedalt ümber pöörlevate terade või nende vahele mähkuda. Pöörlevate terade puhastamiseks toimige alljärgnevalt.

- Eemaldage aku.
- Kandke kindaid. Puhastage tera, kaitsepiire või kiiruskast juurtest, känkras mullast või taimedest. Põhjalikuks puhastamiseks eemaldage terad ja kaitsepiire ja peske need põhjalikult puhtaks. Üksikasjalikeks juhisteks, kuidas osad tagasi panna, vaadake ülaltoodud jaotist

ET

„TERADE ASENDAMINE VÕI REGULEERIMINE“.

- Pühkige tööriista pinda leebes seebilahuses niisutatud puhta lapiga.

SEADME HOIUSTAMINE

- Ühendage seadme akuplokk lahti.
- Eemaldage kultivaator toitepea küljest ja katke kultivaatori vars otsakorgiga, et mustus haakeseadmesse ei pääseks.
- Hoidke tööriista kuivas, hästiventileeritud ning lastele ligipääsmatus kohas. Ärge hoiustage seadet väetiste, bensiini või muude kemikaalide peal või lähedal.

Keskkonnakaitse



Ärge visake elektriseadmeid, akulaadurit ega patareisid/akusid olmeprügi hulka! Vastavalt Euroopa õigusaktile 2012/19/EL tuleb elektri- ja elektroonikaseadmed, mis pole enam kasutatavad, ning vastavalt direktiivile 2006/66/EÜ ka defektsed või kasutatud akuplokid/patareid eraldi kokku koguda. Kui elektriseadmed maetakse maa sisse või viiakse prügmäele, võivad ohtlikud ained põhjavekke lekkida ja toiduahelasse sattuda ning kahjustada teie tervist ja heaolu.

TÖRKEOTSING

PROBLEEM	PÕHJUS	LAHENDUS
Kultivaator ei käivitu.	<ul style="list-style-type: none"> ■ Akuplokk pole korralikult toitepea külge ühendatud. ■ Toitepea ja aku vahel puudub elektriline ühendus. ■ Akuplokk on tühi. ■ ukustushooba ja päästikut ei vajutatud samaaegselt. 	<ul style="list-style-type: none"> ■ Ühendage akuplokk toitepeaga. ■ Eemaldage aku, kontrollige ühendusi ja paigaldage akuplokk tagasi, nii et see klõpsuga oma kohale kinnitub. ■ Laadige akuplokki käesolevas juhendis loetletud EGO laadurite abil. ■ Seadme sisse lülitamiseks vajutage lukustushooba ja hoidke seda all ning suruge päästik alla.
Kultivaator seiskub mulla freesimise ajal.	<ul style="list-style-type: none"> ■ Mootor on ülekoormatud. ■ Akuplokk on liiga kuum. ■ Terad on kinni jäänud ■ Akuplokk on tööriista küljest lahti ühendatud. ■ Akuplokk on tühi. 	<ul style="list-style-type: none"> ■ Mootori võimsus taastub koormuse eemaldamisel. Järjepideva töö jaoks vähendage kultivaatori koormust ja vältige sügavuti freesimist, selle asemel tehke löikeid, mis järjest sügavamaks lähevad. ■ Laske akuplokil jahtuda, kuni selle temperatuur langeb alla 67 °C. ■ Eemaldage aku toitepea küljest, pöörake terasid käsitsi edasi ja tagasi, et eemaldada kivid või muud takistused, mis on terade või tera ja kiiruskasti vahele jäänud. ■ Paigaldage akuplokk tagasi. ■ Laadige akuplokki käesolevas juhendis loetletud EGO laadurite abil.

GARANTII

EGA GARANTIIPÕHIMÕTTED

Täielikud EGO garantiitingimused leiate veebilehelt egopowerplus.com.

ET

ПРОЧИТАЙТЕ ВСІ ІНСТРУКЦІЇ



ОЗНАЙОМТЕСЯ З ІНСТРУКЦІЄЮ

⚠ Залишковий ризик! Люди з електронними пристроями, наприклад кардіостимуляторами, повинні проконсультуватися зі своїм лікарем (лікарями) перед використанням цього виробу. Експлуатація електрообладнання в безпосередній близькості від кардіостимулятора може спричинити перешкоди або несправність кардіостимулятора.

⚠ ПОПЕРЕДЖЕННЯ. Для гарантування безпеки та надійності всі роботи з ремонту та заміни повинен проводити кваліфікований технічний спеціаліст.

СИМВОЛИ, ЩО СТОСУЮТЬСЯ БЕЗПЕКИ

Мета символів, пов'язаних із безпекою, – привернути вашу увагу до можливих небезпек. Символи безпеки та їхнє пояснення заслуговують на вашу пильну увагу та розуміння. Символи попереджень самі по собі не усувають будь-якої небезпеки. Інструкції та попередження, які вони надають, не замінюють належних заходів щодо запобігання аваріям.

⚠ ПОПЕРЕДЖЕННЯ. Перш ніж користуватися цим інструментом, обов'язково ознайомтеся з усіма інструкціями з безпеки, наведеними в цьому посібнику користувача, зокрема з усіма символами попереджень, такими як «НЕБЕЗПЕКА», «ПОПЕРЕДЖЕННЯ» та «ЗАСТЕРЕЖЕННЯ». Недотримання наведених нижче вказівок може спричинити ураження електричним струмом, пожежу та/або серйозні травми.

ЗНАЧЕННЯ СИМВОЛУ

Символ попередження щодо безпеки: Вказує на **НЕБЕЗПЕКУ, ПОПЕРЕДЖЕННЯ** або **ЗАСТЕРЕЖЕННЯ**. Може використовуватися разом з іншими символами або піктограмами.

UK



⚠ Попередження! Використання будь-яких електроінструментів може призвести до потрапляння сторонніх предметів в очі, що може спричинити серйозне пошкодження очей. Перед початком експлуатації електроінструмента завжди надягайте закриті захисні окуляри або відкриті захисні окуляри з бічними щитами та, якщо потрібно, повнопрофільну захисну маску. Ми рекомендуємо захисну маску широкого розміру для використання поверх окулярів або стандартні відкриті захисні окуляри з бічними щитами.

ВКАЗІВКИ З ТЕХНІКИ БЕЗПЕКИ

На цій сторінці зображено та описано символи, пов'язані з безпекою, які можуть відображатись на цьому виробі. Перш ніж намагатися зібрати та експлуатувати його, ознайомтеся з усіма інструкціями на машині та дотримуйтесь їх.

	Попередження щодо безпеки	Вказує на потенційну небезпеку травмування.
	Ознайомтеся з посібником користувача	Щоб зменшити ризик травми, користувач повинен ознайомитися з інструкцією користувача перед використанням цього виробу.
	Використовуйте засоби захисту органів слуху.	Під час роботи з цим виробом завжди використовуйте засоби захисту органів слуху.
	Надягайте засоби захисту очей	Працюючи з цим виробом, завжди носіть захисні окуляри з бічними щитами.
	Надягайте захисні рукавиці.	Під час роботи з лезами одягайте рукавиці для захисту рук. Міцні рукавички з неслизького матеріалу поліпшують хват і захищають руки.

	Надягайте захисне взуття	Використовуючи таке обладнання, одягайте неслизьке захисне взуття.
	Рикошет	Відкинуті предмети можуть відрикошетитись і призвести до травм або пошкоджень майна.
	Тримайте ноги подалі	Щоб зменшити ризик травмування, тримайте ноги подалі від лез, що обертаються.
	Тримайте сторонніх подалі	Тримайте спостерігачів на безпечній відстані
	CE	Цей виріб відповідає чинним директивам ЄС.
	WEEE	Відходи електричних виробів не слід викидати разом із побутовим сміттям. Зверніться до авторизованого пункту переробки.
	Шум	Гарантований рівень звукової потужності.
	Не залишайте під дощем	Не використовуйте цей пристрій у дощ і не залишайте його в дощ надворі.
IPX4	Символ IP	Захист від проникнення води ступеня 4
V	Вольти	Напруга
mm	Міліметр	Довжина або розмір
kg	Кілограм	Маса

ЗАГАЛЬНІ ПОПЕРЕДЖЕННЯ ЩОДО ТЕХНІКИ БЕЗПЕКИ РОБОТИ З ЕЛЕКТРОІНСТРУМЕНТАМИ

⚠ ПОПЕРЕДЖЕННЯ. Прочитайте всі попередження безпеки, інструкції, ілюстрації та характеристики, надані з цим електроінструментом. Недотримання наведених нижче вказівок може спричинити ураження електричним

струмом, пожежу та/або серйозні травми.

Зберігайте всі застереження та інструкції для подальшого використання.

БЕЗПЕКА В РОБОЧІЙ ЗОНІ

- Робоча зона має бути чистою й добре освітленою. Неприбрана або погано освітлена робоча зона може стати причиною нещасного випадку.
- Не працюйте з інструментом у вибухонебезпечному середовищі, наприклад за наявності легкозаймистих рідин, газів або пилу. Під час роботи електроприладу утворюються іскри, від яких можуть зайнятися пил або випари.
- Дітям і спостерігачам заборонено перебувати поруч з електроінструментом, що працює. Це може відволікати вас і призвести до втрати контролю.

ЕЛЕКТРИЧНА БЕЗПЕКА

- Бережіть електроінструмент від дощу та вологи. Вода, що потрапила в електроінструмент, підвищує ризик ураження електричним струмом.

ІНДИВІДУАЛЬНА ТЕХНІКА БЕЗПЕКИ

- Під час роботи з електроінструментом будьте уважними, слідкуйте за своїми діями та мисліть розсудливо. Не працюйте з електроінструментом, якщо ви втомлені або перебуваєте під дією наркотичних речовин, алкоголю чи ліків. Навіть миттєва неуважність під час роботи з електроінструментом може призвести до важкої травми.
- Завжди користуйтеся засобами індивідуального захисту. Використання у відповідних умовах таких засобів індивідуального захисту, як захисні окуляри, протипиловий респіратор, нековзане захисне взуття, шолом-каска і навушники допоможе зменшити ризик травмування.
- Уникайте випадкового запуску. Перш ніж підключати електроінструмент до акумулятора, брати чи переносити його, перевірте, чи встановлено перемикач у положення «вимкнено». Якщо перемикач електроінструменту, тримаючи палець на вимикачі, або підключати його до джерела живлення, коли вимикач перебуває в положенні «увімкнено», це може призвести до травмування.
- Перш ніж вмикати електроінструмент, слід зняти всі регульовальні клини або гайкові ключі. Якщо залишити такий ключ на рухомій частині електроінструмента, це може призвести до травмування.

UK

- Не дотягуйтеся. Завжди міцно стійте на ногах і втримуйте рівновагу. Це дає змогу краще керувати електроінструментом у разі виникнення непередбачуваних ситуацій.
- Одягайтеся належним чином. Не носіть вільний одяг або біжутерію. Стежте за тим, щоб волосся та одяг не потрапили на рухомі частини. Вільний одяг, біжутерія або довге волосся можуть потрапити в рухомі частини.
- Якщо пристрої обладнано системою видалення пилу, переконайтеся, що її правильно підключено і що ви використовуєте її належним чином. Використання пристрою для збирання пилу може зменшити небезпеку, пов'язану з пилом.
- Не дозволяйте навичкам, отриманим після частого використання інструментів, змусити вас стати самовпевненими та ігнорувати принципи безпеки інструмента. Недбала дія може спричинити серйозну травму протягом долі секунди.
- Доглядайте за електроінструментами та аксесуарами. Перевіряйте їх на предмет розладнання чи блокування рухомих частин, а також будь-яких обставин, які можуть вплинути на роботу електроінструмента. У разі пошкодження електроінструмент слід здати в ремонт, перш ніж користуватися ним. Багато нещасних випадків стаються внаслідок неправильного обслуговування електроінструментів і аксесуарів.
- Тримайте ріжучі інструменти гострими й чистими. Належним чином доглянуті ріжучі інструменти з гострими ріжучими краями рідше блокуються, і ними легше керувати;
- Користуйтеся електроінструментом, аксесуарами та насадками для інструмента згідно з цією інструкцією, зважаючи на робочі умови та роботу, яку слід виконати. Використання електроінструмента всупереч призначенню може стати причиною виникнення небезпечних ситуацій.
- Підтримуйте руків'я та захватні поверхні сухими, чистими, без жиру і бруду. Слизькі ручки та захватні поверхні можуть призвести

ВИКОРИСТАННЯ ТА ДОГЛЯД ЗА ЕЛЕКТРОІНСТРУМЕНТОМ

- Не застосовуйте силу до електроінструмента. Використовуйте належний електроінструмент відповідно до потреби. Правильно підібраний електроінструмент допоможе краще і безпечніше зробити роботу з швидкістю, яка для нього передбачена.
- Не використовуйте електроінструмент, якщо перемикач не вмикає або не вимикає його. Усі електроінструменти, якими неможливо керувати за допомогою перемикача, становлять небезпеку й підлягають ремонту.
- Вийміть акумуляторну батарею, якщо вона знімна, з електроінструмента та/або активуйте будь-який пристрій вимикання акумулятора перед очищенням застряглого матеріалу, будь-якими регулюваннями, заміною аксесуарів, чищенням або зберіганням електроінструментів. Такі запобіжні заходи техніки безпеки зменшують ризик випадкового запуску електроінструмента.
- Тримайте інструмент, що не використовується, подалі від дітей і не дозволяйте особам, які не мають досвіду роботи з такими інструментами або не знайомі з цими інструкціями, користуватись електроінструментом. Електроінструменти становлять небезпеку в руках недосвідчених користувачів.

- до небезпечного поводження з інструментом та/або втратою контролю над ним.
- Тримайте кабелі подалі від робочої зони інструмента. Під час роботи кабелі можуть зникнути з поля зору та випадково пошкодитись інструментом.

КОРИСТУВАННЯ І ДОГЛЯД ЗА АКУМУЛЯТОРНИМ ІНСТРУМЕНТОМ

- Заряджайте лише за допомогою зарядного пристрою, указанного виробником. Зарядний пристрій, який підходить для акумуляторів одного виду, може викликати ризик пожежі у випадку його використання з іншим акумулятором.
- З електроінструментами слід використовувати лише призначені для них акумуляторні батареї. Використання будь-яких інших акумуляторних батарей може призвести до травми або пожежі.
- Коли батарея не використовується, її слід тримати окремо від металевих предметів, наприклад затискачів для паперу, монет, ключів, цвяхів, шурупів та інших дрібних предметів, які можуть замкнути клемі. Коротке замикання клем акумулятора може стати причиною опіків чи пожежі.
- У надто важких умовах експлуатації з акумулятора може витікати рідина; не доторкайтесь до неї. Якщо випадково ви все ж торкнулися її, слід промити це місце водою. Якщо рідина потрапила в очі, слід також звернутися до лікаря. Рідина, яка виступає з акумулятора, може викликати подразнення або опіки.

UK

- Не використовуйте акумуляторну батарею або інструмент, які пошкоджені або змінені. Пошкоджені або змінені батареї можуть мати непередбачувану поведінку, що може спричинити пожежу, вибух або ризик травмування.
 - Не піддавайте акумуляторну батарею або інструмент дії вогню або високих температур. Вогонь або температура вище 130 °C може спричинити вибух.
 - Дотримуйтесь усіх інструкцій щодо заряджання та не заряджайте акумуляторну батарею або інструмент за межами температурного діапазону, зазначеного в інструкціях. Зарядження неналежним чином або при температурах за межами вказаного діапазону може пошкодити акумулятор і збільшити ризик виникнення пожежі.
 - **ІНШІ ПОПЕРЕДЖЕННЯ ЩОДО БЕЗПЕКИ**
- Працюючи з машиною на колесах, рухайтесь уперед на схилі, і ніколи вгору чи вниз.
 - Будьте надзвичайно обережні, змінюючи напрямок на схилі.
 - Не працюйте на занадто крутих схилах.
 - Будьте особливо обережні, рухаючись у зворотному напрямку або тягучи пристрій до себе.
 - Не змінюйте налаштування регулятора двигуна та не перевищуйте допустиму швидкість двигуна.
 - Обережно запустіть двигун відповідно до інструкцій виробника, при цьому ноги мають бути на достатній відстані від інструмента.
 - Не наближайте руки або ноги до частин, що обертаються.
 - Ніколи не піднімайте й не переносьте інструмент під час роботи двигуна.
 - Використовуйте лише акумулятори та зарядні пристрої, перелічені на рис. А.

НАВЧАННЯ

- Уважно ознайомтеся з інструкцією. Ознайомтеся з органами керування та правилами належного користування куцорізом.
- Не дозволяйте користуватися цим інструментом особам, які не ознайомилися з інструкцією з експлуатації, і дітям. Місцеві нормативні акти можуть обмежувати вік оператора.
- Ніколи не працюйте, якщо поблизу є люди (особливо діти) або домашні тварини.
- Пам'ятайте, що оператор або користувач несе відповідальність за нещасні випадки або збитки, заподіяні іншим особам чи їх майну.

ПІДГОТОВКА

- Під час роботи завжди носіть міцне взуття й довгі штани. Не експлуатуйте пристрій босоніж або у відкритих сандаліях.
- Ретельно огляньте ділянку, де буде використовуватись інструмент, і приборіть усі предмети, які можуть бути відкинуті ним.
- Перед використанням ретельно огляньте пристрій – чи немає зношених або пошкоджених деталей. Замініть зношені або пошкоджені елементи й болти комплектно для збереження балансу.

ЕКСПЛУАТАЦІЯ

- Не експлуатуйте двигун у замкненому просторі, де можуть накопичуватись небезпечні випари чадного газу.
- Працюйте тільки при денному світлі або доброму штучному освітленні.
- Завжди зберігайте стійке положення ніг на схилах.
- Ходіть з інструментом спокійно, ніколи не бігайте.

РОБОТА НА СХИЛІ:

Схили є основним чинником, пов'язаним із нещасними випадками, спричиненими падінням унаслідок ковзання, що може призвести до серйозних травм. Завжди зберігайте стійке положення ніг на схилах. Експлуатація на схилах вимагає особливої обережності. Якщо ви відчуваєте незручність на схилі, не працюйте на ньому.

- Остерігайтесь ям, колій, каміння, прихованих предметів або ударів, через які ви можете послизнутись або перечепитись. Висока трава може приховувати перешкоди.

СЕРВІС

- Обслуговування електроінструмента повинен виконувати кваліфікований ремонтник із використанням лише ідентичних запасних частин. Це забезпечить нормальну роботу електроінструмента.
- Ніколи не ремонтуйте пошкоджені акумулятори. Сервісне обслуговування акумуляторних акумуляторів має виконувати лише виробник або авторизовані постачальники послуг.

⚠ ПОПЕРЕДЖЕННЯ. Прочитайте всі попередження безпеки, інструкції, ілюстрації та характеристики, надані з цим електроінструментом. Недотримання наведених нижче вказівок може спричинити ураження електричним струмом, пожежу та/або серйозні травми. Зберігайте всі застереження та інструкції для подальшого використання.

ЗБЕРЕЖІТЬ ЦЮ ІНСТРУКЦІЮ

UK

СПЕЦИФІКАЦІЇ

Ширина обробки ґрунту	240 мм	
Глибина обробки ґрунту	215 мм	
Розмір леза	215 мм	
Робоча температура	0°C–40°C	
Температура зберігання	-20°C–70°C	
Вага (із захисним кожухом)	3,9 кг	
Вимірний рівень звукової потужності L_{WA}	87,6 dB(A) K=2,02 dB(A)	
Рівень звукового тиску біля вуха оператора L_{PA}	77,0 dB(A) K=3 dB(A)	
Гарантований рівень звукової потужності L_{WA} (виміряно відповідно до 2000/14/EC)	90 dB(A)	
Оцінка вібрації a_{r1} :	Передня допоміжна ручка	0,94 m/s ² K= 1,5 m/s ²
	Задня ручка	1,24 m/s ² K= 1,5 m/s ²

- Зазначені вище параметри випробувано та виміряно з приводною головкою RH1400E.
- Вказане загальне значення вібрації виміряне за стандартним методом тестування і може використовуватися для порівняння одного інструмента з іншим.
- Указане сумарне значення вібрації може також використовуватися для попередньої оцінки впливу.

ПРИМІТКА. Емісія вібрації під час фактичного використання електрострументу може відрізнятися від заявленої величини, у якій використовується інструмент. Щоб захистити оператора, користувач повинен одягати рукавички та захисні навушники в реальних умовах використання.

UK ПАКУВАЛЬНИЙ СПИСОК

НАЗВА ДЕТАЛІ	КІЛЬКІСТЬ
Насадка-культиватор	1
Захисний кожух (з болтом)	1
Торцевий ключ	1
Посібник користувача	1

ОПИС

ОЗНАЙОМЛЕННЯ З КУЛЬТИВАТОРОМ (рис. А)

1. ТОРЦЕВИЙ КОВПАЧОК
2. Вал насадки-культиватора
3. Корпус редуктора
4. Рукав
5. Зовнішні леза
6. Внутрішні леза
7. Зчпний штир
8. Щиток
9. Торцевий ключ

ЗБИРАННЯ

⚠ ПОПЕРЕДЖЕННЯ. Якщо якісь частини пошкоджені або відсутні, не користуйтеся цим інструментом, доки вони не будуть замінені. Використання цього виробу з пошкодженими або відсутніми деталями може призвести до серйозних травм.

⚠ ПОПЕРЕДЖЕННЯ. Не намагайтеся вдосконалити цей інструмент або застосувати приладдя, не рекомендоване для нього. Кожна така заміна чи переробка є фактом неправильного користування, створює небезпечні умови й загрожує серйозними травмами.

⚠ ПОПЕРЕДЖЕННЯ. Завжди вдягайте міцні рукавички під час установавання чи зняття леза або виконання будь-якого технічного обслуговування леза. Будьте обережні та оберігайте руки від травмування лезом.

⚠ ПОПЕРЕДЖЕННЯ. Не приєднуйте культиватор до приводної головки, доки складання не буде закінчене. Недотримання цієї вимоги може призвести до неконтрольованого запуску та серйозних травм.

УСТАНОВЛЕННЯ ЩИТКА

⚠ ПОПЕРЕДЖЕННЯ. Установіть захисний кожух, перш ніж приєднувати насадку-культиватор до приводної головки.

1. Відкрутіть і зніміть болт із захисного кожуха за допомогою торцевого ключа (рис. В).
2. Підніміть вал насадки-культиватора та зніміть торцевий ковпачок із вала.

3. Сумістіть отвір у захисному кожусі з металевим виступом на кінці вала і насуньте захисний кожух на вал, доки гвинтові отвори в захисному кожусі та в металевому виступі не буде вирівняно (рис. С та D).

4. Затягніть болт за годинниковою стрілкою торцевим ключем, щоб надійно зафіксувати захисний кожух.

Рис. D – див. опис деталей нижче:

D-1	Болт
-----	------

ПІД'ЄДНАННЯ НАСАДКИ-КУЛЬТИВАТОРА ДО ПРИВОДНОЇ ГОЛОВКИ

⚠ ПОПЕРЕДЖЕННЯ. Ніколи не закріплюйте та не регулюйте насадки під час роботи приводної головки, або коли батарея встановлена. Якщо не зупинити мотор і не зняти батарею, це може призвести до серйозних травм.

Ця насадка-культиватор призначена для використання з приводною головкою EGO PH1400E.

1. Вимкніть мотор і вийміть акумулятор.
2. Відкрутіть затискний баранець на муфті приводної головки.
3. Якщо торцевий ковпачок перебуває на валу насадки, зніміть його та відкладіть у надійне місце для подальшого використання.

Вирівняйте стрілку на валу культиватора зі стрілкою на муфті (рис. E) та засуньте вал культиватора в муфту, доки не почуєте чітке «кляцання» (рис. F).

Рис. E – див. опис деталей нижче:

E-1	Кнопка від'єднання вала
E-2	Стрілка на муфті
E-3	Затискний баранець
E-4	Стрілка на валі насадки
E-5	Червона лінія

Рис. F – див. опис деталей нижче:

F-1	Червона лінія
-----	---------------

4. Злегка потягніть вал насадки-культиватора, щоб перевірити, чи він надійно зафіксований у муфті. Якщо ні, обертайте вал культиватора назад і вперед у муфті, доки не почуєте чіткий звук кляцання, який вказуватиме, що він закріплений.
5. Зафіксуйте затискний баранець надійно.

⚠ ПОПЕРЕДЖЕННЯ. Упевніться, що затискний баранець на муфті повністю затягнуто, перед використанням обладнання. Періодично перевіряйте його на міцність під час використання, щоб уникнути серйозних травм.

ЗНЯТТЯ НАСАДКИ З ПРИВОДНОЇ ГОЛОВКИ

1. Вимкніть мотор і вийміть акумулятор.
2. Відкрутіть затискний баранець.
3. Якщо кнопка розблокування вала увімкнена, витягніть або викрутіть вал насадки-культиватора з муфти, щоб вийняти її з приводної головки.

ЕКСПЛУАТАЦІЯ

⚠ ПОПЕРЕДЖЕННЯ. Знання виробу не має робити вас недбалим. Пам'ятайте, що півсекунди неухважності досить для серйозної травми.

⚠ ПОПЕРЕДЖЕННЯ. Завжди носіть засоби захисту органів зору та слуху. Без окулярів ви ризикуєте травмами очей від викинутих предметів та іншими серйозними травмами.

⚠ ПОПЕРЕДЖЕННЯ. Не використовуйте ніякі приладдя чи насадки, не рекомендовані виробником цього пристрою. Використання нерекomenдованого приладдя чи насадок може призвести до серйозних персональних травм.

ЗАСТОСУВАННЯ

Ви можете використовувати цей виріб для цілі, зазначеної нижче:

- Розпушення ґрунту для підготовки грядки для посадки.
- Мілке культивування для виривання бур'янів або розпушення ґрунту навколо рослин для глибшого проникнення повітря чи води в ґрунт.
- Удобрення ґрунту компостом, листям або іншими органічними добривами. Мілка культивация розпушує верхній шар ґрунту для збирання поживних речовин.
- Орання ґрунту або утворення борозен у розпушеному ґрунті.

ПРИМІТКА. Щоб уникнути пошкодження культиватора чи дерев, будьте обережні, щоб не натрапити лезами на велике коріння дерев. Уникайте надто глибокого культивування, оскільки це може пошкодити неглибоке коріння деяких рослин.

UK

ВИКОРИСТАННЯ НАСАДКИ-КУЛЬТИВАТОРА З ПРИВІДНОЮ ГОЛОВКОЮ

⚠ ПОПЕРЕДЖЕННЯ. Одягайтеся правильно, щоб зменшити ризик травми під час роботи з цим інструментом. Не носіть вільного одягу або прикрас. Носіть засоби захисту очей. Надягайте захисне взуття. Носіть щільні, довгі штани, міцне взуття та рукавички. Не носіть шорти, сандалії, не працюйте босоніж.

Тримайте культиватор однією рукою за задню ручку, а іншою рукою – за передню допоміжну

ручку. Під час експлуатації культиватора тримайте його міцно обома руками. Культиватор необхідно тримати в зручному положенні, при чому задня ручка має бути на висоті стегна.

Зберігайте хват і рівновагу на обох ногах (рис. G).

Ви можете працювати, переміщаючи культиватор вперед або назад, зліва направо, справа наліво або круговими рухами. Виберіть найкращий спосіб, який підходить для ваших цілей, що залежатиме від форми та розміру ділянки та стану ґрунту.

Поперемінні рухи назад і вперед особливо підходять для розпушення ущільненого ґрунту.

Під час орання або копання борозен повільно йдіть назад і тягніть культиватор, щоб створити борозну. Повторіть, якщо потрібно, щоб отримати більш глибокі борозни.

ПРИМІТКА. Якщо ви тягнете культиватор акуратно на себе, коли він копає ґрунт, це зменшує ваші зусилля та полегшує процес обробки ґрунту.

- Відкинуті матеріали можуть серйозно пошкодити оператора або сторонніх спостерігачів. Щоб зменшити ризик травмування, необхідно вжити таких запобіжних заходів:
- Огляньте та очистьте ділянку від будь-яких прихованих предметів, таких як скло, каміння, бетон, дріт, паркан, шматки металу тощо, які можуть бути відкинуті або затягнуті в лезах. Уникайте контакту з твердими або жорсткими сторонніми предметами.
- Регулярно й часто оглядайте леза на предмет пошкоджень або після зіткнення із жорстким предметом. Не продовжуйте працювати з пошкодженим лезом.
- Під час роботи міцно тримайте культиватор обома руками. Міцно тримайте обидві ручки.

- Перемістіть культиватор на робочу ділянку перед запуском та запустіть культиватор на меншій швидкості.

Перед кожним використанням перевірте наявність пошкоджених та/або зношених деталей. Перевірте леза, захисний кожух і передню ручку, а також замініть будь-які частини, які тріснули, викривлені, зігнуті або пошкоджені.

Очищайте культиватор після кожного використання

ЗАПУСК/ЗУПИНКА ІНСТРУМЕНТА

Див. розділ «ЗАПУСК/ЗУПИНКА ПРИВІДНОЇ ГОЛОВКИ» в посібнику користувача приводної головки RH1400E.

ТЕХНІЧНЕ ОБСЛУГОВУВАННЯ

⚠ ПОПЕРЕДЖЕННЯ. Використовуйте для технічного обслуговування лише ідентичні запчастини. Використання будь-яких інших частин створює небезпеку або може призвести до поломки виробу. Для гарантування безпеки та надійності всі ремонтні роботи повинні проводити кваліфікований технічний спеціаліст.

⚠ ПОПЕРЕДЖЕННЯ. Акумуляторні інструменти не потрібно підключати до електричної розетки; отже, вони завжди в робочому стані. Щоб запобігти серйозному травмуванню, вживайте додаткових заходів та будьте обережні під час технічного обслуговування або зміни різального обладнання чи інших пристосувань.

⚠ ПОПЕРЕДЖЕННЯ. Щоб запобігти серйозним травмам, вийміть акумуляторну батарею з приводної головки та зачекайте, доки всі леза не зупиняться, перед обслуговуванням, чищенням, заміною аксесуарів, або коли пристрій не використовується.

⚠ ПОПЕРЕДЖЕННЯ. Завжди носіть міцні рукавички під час установлення або зняття леза або виконання будь-якого технічного обслуговування леза. Будьте обережні та оберегайте руки від травмування лезом.

ЗАГАЛЬНИЙ ТЕХНІЧНИЙ ДОГЛЯД

⚠ ПОПЕРЕДЖЕННЯ. Ніколи не допускайте контакту пластмасових частин із гальмівною рідиною, газоліном, нафтопродуктами, проникаючими оліями й т. ін. Хімікати можуть пошкодити, ослабити або зруйнувати пластмасу, а це загрожує серйозними травмами.

⚠ ПОПЕРЕДЖЕННЯ. Під час чищення насадки-культиватора НЕ занурюйте її у воду чи інші рідини. Не очищуйте інструмент за допомогою пристрою миття під тиском. Сильний струмінь води може пошкодити деталі інструмента.

- Тримайте всі гайки, болти та гвинти щільно затягнутими, щоб забезпечити надійний робочий стан пристрою.
- Для зменшення ризику виникнення пожежі тримайте двигун, глушник, акумуляторний відсік чистими від рослинного матеріалу або надлишку мастила.
- Зношені та пошкоджені частини замініть заради безпеки.

ДОГЛЯД ЗА ЛЕЗАМИ

- Регулярно обслуговуйте леза за допомогою антикорозійного масла.
- Якщо будь-яке з лез потребує заміни через знос, замініть усі чотири леза для найкращої продуктивності.

Усі роботи з ремонту культиватора, крім описаних в інструкціях з обслуговування, повинен проводити кваліфікований технічний спеціаліст.

- **Заміна**

Культиватор має чотири леза – два внутрішні та два зовнішні леза. Для правильної роботи культиватора леза мають бути встановлені в правильній орієнтації. Символи L та R нанесено на леза (рис. Н та І).

Рис. Н та І – див. опис деталей нижче:

Н-1	Приводний вал	Н-7	Зчіпний штир
Н-2	Внутрішній рукав	І-1	Зчіпний штир
Н-3	Зовнішній рукав	І-2	Зовнішнє лезо з вигравіруваним символом «R»
Н-4	Символ L	І-3	Внутрішнє лезо з вигравіруваним символом «R»
Н-5	Внутрішнє лезо з вигравіруваним символом «L»	І-4	Символ R
Н-6	Зовнішнє лезо з вигравіруваним символом «L»		

ПРИМІТКА. ЛЕЗА, ЗУБЦІ ЯКИХ СПРЯМОВАНІ В ОБОХ НАПРЯМКАХ, НЕОБХІДНО ВСТАНОВЛЮВАТИ В СЕРЕДИНІ, НАЙБЛИЖЧЕ ДО КОРПУСУ РЕДУКТОРА

1. Одягайте рукавиці.
2. Помістіть внутрішнє лезо з вигравіруваним символом «L» і зубцями, спрямованими в обох напрямках, зліва від корпусу редуктора.
3. Помістіть зовнішнє лезо з вигравіруваним символом «L» (зубці спрямовані тільки в один бік) з того ж боку, щоб зовнішній рукав був напроти внутрішнього леза.
4. Щоб закріпити лезо на приводному валу, вставте зчіпний штифт у запірний отвір 1. Див. рис. J, K, L та N для довідки.
5. Переверніть інструмент, щоб установлене лезо спиралося на землю.
6. Помістіть внутрішнє лезо з вигравіруваним символом «R» і зубцями, спрямованими в обох напрямках, справа від корпусу редуктора.
7. Помістіть зовнішнє лезо з вигравіруваним символом «R» (зубці спрямовані тільки в один бік) з того ж боку, щоб зовнішній рукав був напроти внутрішнього леза.
8. Щоб закріпити лезо на приводному валу, вставте зчіпний штифт у запірний отвір 1, а потім поверніть зчіпний штифт на 90°. Див. рис. J, K, L та N для довідки.

ПОПЕРЕДЖЕННЯ. Прилад не працюватиме належним чином або може бути небезпечним для оператора чи сторонніх спостерігачів, якщо леза встановлено неправильно. Якщо ви помітили проблему з культивуванням або роботу пристрою, перевірте правильність установлення лез.

ЛЕЗА, ЗУБЦІ ЯКИХ СПРЯМОВАНІ В ОБОХ НАПРЯМКАХ, МАЮТЬ БУТИ ВСТАНОВЛЕНІ В СЕРЕДИНІ, НАЙБЛИЖЧЕ ДО КОРПУСУ РЕДУКТОРА.

Регулювання

Під час обробки ґрунту на обмеженій ділянці або між рядами культиватор може використовуватися з встановленими лише внутрішніми лезами.

Одягніть рукавички та зніміть два зчіпні штифти, щоб зняти два зовнішні леза (рис. М), а потім вставте зчіпні штифти в запірний отвір 2 (рис. N і O).

Рис. N – див. опис деталей нижче:

N-1	Запірний отвір 1
N-2	Запірний отвір 2

UK

ПРИМІТКА. Не знімайте леза з приводного вала та не встановлюйте їх на нього, застосовуючи силу. Якщо у вас виникають труднощі під час зняття лез, нанесіть на вал трохи просочуючого масла. Під час повторного встановлення лез обов'язково очистьте та змажте приводний вал і леза.

ОЧИЩЕННЯ ПРИЛАДУ

Під час роботи частини рослин, такі як коріння, можуть щільно намотатися на леза або між ними. Для очищення обертових лез:

- Вийміть акумулятор.
- Вдягніть рукавички. Приберіть шматки коренів, землю або рослини з леза, захисного кожуха або корпусу редуктора. Для ретельного очищення зніміть леза та захисний кожух, щоб ретельно промити їх. Детальні вказівки із заміни див. вище в розділі

«ЗАМІНА АБО РЕГУЛЮВАННЯ ЛЕЗ».

- Протріть поверхню інструмента чистою тканиною, змоченою м'яким розчином мила.

ЗБЕРІГАННЯ ПРИЛАДУ

- Вийміть акумуляторну батарею з інструмента.
- Зніміть насадку-культиватор із приводної головки та закрийте насадку-культиватор торцевим ковпачком, щоб уникнути потрапляння бруду в муфту.
- Зберігайте інструмент у сухому, добре вентильованому, недоступному для дітей місці. Не зберігайте пристрій біля мінеральних добрив, бензину та інших хімікатів.

Захист довкілля



Не викидайте електричне обладнання, зарядний пристрій та батареї/акумулятори в побутові відходи! Відповідно до європейського закону 2012/19/ЄС електричне та електронне обладнання, яке більше не придатне для використання, і згідно з європейським законом 2006/66/ЄС дефектні або використані акумуляторні батареї мають збиратись окремо. Якщо електричний пристрій утилізується на сміттєзвалищі, небезпечні речовини можуть вилетіти в ґрунтові води та потрапити в харчовий ланцюг, що може зашкодити вашому здоров'ю та самопочуттю.

УСУНЕННЯ НЕСПРАВНОСТЕЙ

НЕСПРАВНІСТЬ	ПРИЧИНА	ВИРІШЕННЯ
Культиватор не запускається.	<ul style="list-style-type: none"> ■ Акумуляторна батарея не приєднана до приводної головки належним чином. ■ Немає електричного контакту між приводною головкою та акумуляторною батареєю. ■ Акумуляторна батарея розряджена. ■ Важіль блокування та тригер не натиснуто одночасно. 	<ul style="list-style-type: none"> ■ Прикріпіть акумулятор до приводної головки. ■ Вийміть акумулятор, перевірте контакти та знову встановіть акумулятор таким чином, щоб він зафіксувався на місці. ■ Заряджайте акумулятор зарядним пристроєм EGO, зазначеним у цьому посібнику. ■ Натисніть важіль блокування та утримуйте його, а потім натисніть на тригер, щоб увімкнути пристрій.
Культиватор зупиняється під час обробки ґрунту.	<ul style="list-style-type: none"> ■ Мотор перевантажено. ■ Акумулятор занадто гарячий. ■ Леза защемлені. ■ Акумулятор від'єднано від інструмента. ■ Акумуляторна батарея розряджена. 	<ul style="list-style-type: none"> ■ Мотор відновить роботу, коли навантаження буде усунуто. Для безперервної роботи зменште навантаження на культиватор та уникайте глибокої обробки; натомість поступово збільшуйте глибину. ■ Дайте акумуляторній батареї охолонути, доки температура не опуститься нижче 67°C . ■ Вийміть акумулятор із приводної головки, вручну поверніть леза назад і вперед, щоб видалити каміння або інші перешкоди між лезами або між лезом і корпусом редуктора. ■ Знову встановіть акумуляторну батарею. ■ Заряджайте акумулятор зарядним пристроєм EGO, зазначеним у цьому посібнику.

ГАРАНТІЯ

ПРАВИЛА ГАРАНТІЇ EGO

Будь ласка, відвідайте веб-сайт egopowerplus.com для отримання повних умов гарантійної політики EGO.

UK

ПРОЧЕТЕТЕ ВСИЧКИ ИНСТРУКЦИИ!



**ПРОЧЕТЕТЕ И ОСЪЗНАЙТЕ
РЪКОВОДСТВОТО С ИНСТРУКЦИИ**

⚠️ Остатъчен риск! Хора с електронни устройства, като пейсмейкър трябва да се консултират с лекуващия(те) си лекар(и) преди употреба на този продукт. Работата с електрическо оборудване в непосредствена близост до сърдечен пейсмейкър може да предизвика смущение или неизправност на пейсмейкъра.

⚠️ ПРЕДУПРЕЖДЕНИЕ: За да осигурите безопасността и надеждността, всички поправки и подмени трябва да се извършват от квалифициран сервизен техник.

СИМВОЛИ ЗА БЕЗОПАСНОСТ

Целта на символите за безопасност е да превличат вниманието към възможни опасности. Символите за безопасност и обясненията към тях заслужават вашето повишено внимание и осъзнаване. Символите за безопасност сами по себе си не елиминират каквато и да е опасност. Инструкциите и предупрежденията, които предоставят не са заместители за подходящите мерки за предотвратяване на инцидент.

⚠️ ПРЕДУПРЕЖДЕНИЕ: Уверете се, че сте прочели и осъзнали всички инструкции за безопасност в това Ръководство на оператора, включително всички известяващи символи за безопасност, като **“ОПАСНОСТ,”** **“ПРЕДУПРЕЖДЕНИЕ,”** и **“ВНИМАНИЕ”** преди да използвате този инструмент. Неспазването на всички инструкции изброени долу може да доведе до електрически шок, пожар и/или сериозно нараняване.

ЗНАЧЕНИЕ НА СИМВОЛИТЕ

⚠️ Символ сигнализиращ за безопасност:

Показва **ОПАСНОСТ, ПРЕДУПРЕЖДЕНИЕ** ИЛИ **ВНИМАНИЕ.** Могат да бъдат използвани във връзка с други символи или пиктограми.



Предупреждение! Експлоатацията на всички електрически инструменти, може да доведе до изхвърляне на чужди предмети към вашите очи, което може да доведе до сериозно нараняване на очите. Преди започване на работа с електрически инструмент, винаги носете предпазни очила със странична защита и визьор за цялото лице, когато е необходимо. Ние препоръчваме предпазна маска с широк визьор за употреба над очила или стандартни предпазни очила със странична защита.

ИНСТРУКЦИИ ЗА БЕЗОПАСНОСТ

Тази страница изобразява и описва символите за безопасност, които може да се появят по този продукт. Прочетете, осъзнайте и следвайте всички инструкции по машината преди предприемане на сглобяване или работа.

	Сигнал за безопасност	Показва риска от потенциално нараняване на човек.
	Прочетете и разберете ръководството на оператора	За намаляване на опасността от нараняване, потребителят трябва да прочете и разбере ръководството на оператора преди използването на този продукт.
	Носете защита за слуха	Винаги носете защита за слуха, когато работите с този продукт
	Носете защита за очите	Винаги носете предпазни очила със странична защита, когато работите с този продукт.
	Носете защитни ръкавици	Защитете ръцете си с ръкавици, когато боравите с ножове. Неплъзгащите се ръкавици за тежка работа подобряват вашия захват и защитават ръцете.

	Носете предпазни ръкавици	Носете неплъзгащи се обувки за безопасност, когато използвате това оборудване.
	Рикошет	Изхвърлените обекти могат да рикошират и да доведат до нараняване или щети по собствеността.
	Дръжте краката си далеч	наранявания при срязване дръжте краката си далеч от въртящите се ножове.
	Дръжте околните хора надалеч	Дръжте околните на безопасно разстояние
	CE	Този продукт е в съответствие с приложимите директиви на ЕС.
	WEEE	Отпадъчните електрически продукти не трябва да бъдат изхвърляни заедно с домакинския отпадък. Отнесете го до упълномощено място за рециклиране.
	Шум	Гарантирано ниво на мощност на звука.
	Не излагайте на дъжд	Не използвайте в дъжд или не го оставяйте навън, когато вали.
IPX4	IP символ	Защита от навлизане на вода степен 4.
V	Волта	Напрежение
mm	Милиметър	Дължина или размер
kg	Килограм	Тегло

ОБЩИ ПРЕДУПРЕЖДЕНИЯ ЗА БЕЗОПАСНОСТ НА ЕЛЕКТРИЧЕСКИ ИНСТРУМЕНТИ

▲ ПРЕДУПРЕЖДЕНИЕ Прочетете всички предупреждения за безопасност, инструкции, илюстрации и спецификации предоставени с този

електрически инструмент. Неспазването на всички инструкции изброени долу може да доведе до токов удар, пожар и/или сериозно нараняване.

Запазете всички предупреждения и инструкции за бъдеща справка.

БЕЗОПАСНОСТ В РАБОТНАТА ЗОНА

- Поддържайте работната зона чиста и добре осветена. Разхвърляни или тъмни работни зони пораждат инциденти.
- Не работете с електроинструменти в експлозивна атмосфера, като например в присъствието на запалими течности, газ или прах. Електрическият инструмент създава искра, която може да възпламени праха или изпаренията.
- Дръжте на разстояние децата и страничните лица, докато работите с електрически инструмент. Разсейването може да причини загуба на контрол.

ЕЛЕКТРИЧЕСКА БЕЗОПАСНОСТ

- Не излагайте електрическите инструменти на дъжд или влажни условия. Навлизането на вода в електрическия инструмент ще увеличи риска от токов удар.

ЛИЧНА БЕЗОПАСНОСТ

- Внимавайте, гледайте какво правите и използвайте здрав разум, когато работите с електрически инструмент. Не използвайте електрически инструмент, когато сте уморени или когато сте под влияние на наркотици, алкохол или лекарства. Момент невнимание по време на работата с електрически инструмент, може да доведе до сериозно лично нараняване.
- Винаги използвайте лични предпазни средства. Лични предпазни средства като прахови маски, не плъзгащи се безопасно обувки, твърда каска или защита за слуха използвана при подходящи условия ще намали риска от лични наранявания.
- Предотвратете непреднамерено пускане. Уверете се, че ключът е в изключена позиция, преди да свържете към батерията, при повдигане или при пренасяне на инструмента. Пренасянето на електроинструменти с пръст на превключвателя или наелектризиран електроинструменти с включен превключвател създава условия за злополуки.
- Извадете всеки регулиращ ключ или гаечен ключ, преди да включите захранването. Гаечен или друг ключ оставен закачен към движеща се част на електрическия инструмент, може да доведе до лично нараняване.

- Не се протягайте. Запазете правилна стойка и баланс по всяко време. Това позволява по-добър контрол върху електрическия инструмент в непредвидени ситуации.
- Облечете се подходящо. Не носете свободни дрехи или накити. Дръжте косата и дрехите си далеч от движещи се части. Свободни дрехи, накити или дълга коса, могат да бъдат хванати в движещите се части.
- Ако са предоставени устройства за свързване на прахоуловител или съоръжения за събиране, уверете се, че те са свързани и са правилно използвани. Употребата на устройства за събиране на прах може да намали рисковете свързани с прах.
- Не позволявайте на рутинността придобита от честата употреба на инструмента да позволи да станете небрежни и да игнорирате принципите за безопасност на инструмента. Небрежно действие може да причини сериозно нараняване за части от секундата.

УПОТРЕБА И ГРИЖА ЗА ЕЛЕКТРИЧЕСКИЯ ИНСТРУМЕНТ

- Не пресилвайте електрически инструмент. Използвайте правилния електрически инструмент за вашата работа. Правилният електрически инструмент ще свърши работата по-добре и по-безопасно при капацитета за който е проектиран.
- Не използвайте електрически инструмент ако ключът не го включва или изключва. Всеки електрически инструмент, който не може да бъде контролиран от ключа е опасен и трябва да бъде поправен.
- Премахнете акумулаторната батерия, ако е изваждаща се, от електроинструмента и/или активирайте устройство за изключване на батерията, преди да почистите заседнал материал, да извършвате каквито и да било настройки, да сменят аксесоари, да почистват или прибират електроинструменти. Подобни превантивни мерки за безопасност намаляват риска от стартиране на инструмента инцидентно.
- Дръжте свободния електрически инструмент извън достъпа до деца и не позволявайте хора, които не са запознати с електрическия инструмент или тези инструкции да работят с него. Електрическите инструменти са опасни в ръцете на необучени потребители.
- Поддръжка на електрически инструменти и аксесоари. Проверете за разместване или блокиране на подвижни части, счупване на части, и всякакви други условия, които могат да повлияят на работата на електрическия инструмент. При повреда

ремонтирайте инструмента преди употреба. Много злополуки се причиняват от лошо поддържани електрически инструменти и аксесоари.

- Дръжте режещите инструменти остри и чисти. Правилно поддържани режещи инструменти, с остри режещи ръбове е по-малко вероятно да се заклепчат и по-лесно се контролират.
- Използвайте електрическия инструмент, аксесоарите, частите на инструмента и т.н в съответствие с тези инструкции, като вземете предвид условията на работа и вида работа, която ще бъде извършвана. Употребата на електрическия инструмент за дейности различни от предназначенията може да доведе до опасни ситуации.
- Дръжте ръкохватките и повърхностите за захващане сухи, чисти и без масло и грес. Хлъзгавите ръкохватки и места за захващане могат да доведат
- до небезопасно боравене и/или загуба на контрол на инструмента.
- Дръжте кабелите далеч от работната зона на инструмента. По време на работа кабелите може да са скрити от погледа ви и да бъдат срязани инцидентно от инструмента.

УПОТРЕБА И ГРИЖА ЗА ИНСТРУМЕНТ С БАТЕРИЯ

- Презареждайте само с зарядно устройство определено от производителя. Зарядно устройство, което е подходящо за един тип акумулаторни батерии може да създаде риск от пожар, когато се използва с други акумулаторни батерии.
- Използвайте електроинструменти само със специфично обозначени акумулаторни батерии. Употребата на каквато и да е друга батерия може да създаде риск от нараняване или пожар.
- Когато акумулаторните батерии не са в употреба ги дръжте на разстояние от други метални обекти, като кламери, монети, ключове, пирони, отвертки или други малки метални предмети, които могат да направят свързване между клемите. Свързване на късо на клемите на батерията може да причини изгаряне или пожар.
- При условия на злоупотреба, може да се изхвърли течност от батерията. Избягвайте контакт. В случай на инцидентен контакт, измийте с вода. Ако течността влезе в контакт с очите, потърсете допълнително медицинска помощ. Течността изхвърлена от батерията може да причини раздразнение или изгаряния.

- Не използвайте акумулаторна батерия или инструмент, които са повредени или модифицирани. Повредените или модифицираните батерии може да проявят непредсказуемо поведение, което да доведе до пожар, експлозия или риск от нараняване.
- Не излагайте батерията или инструмента на огън или прекомерна температура. Излагане на огън или температури над 130 °C може да причини експлозия.
- Следвайте всички инструкции за зареждане и не зареждайте батерията или инструмента извън температурния обхват зададен в инструкциите. Неправилното зареждане или зареждане извън определения температурен обхват може да повреди батерията и да повиши риска от пожар.
- Ходете, никога не бягайте с машината.
- За колесна, ротационна машина работете напречно на наклона, никога нагоре или надолу.
- Бъдете изключително внимателни, когато сменяте посоката при склонове.
- Не работете върху прекалено стръмни склонове.
- Бъдете с повишено внимание, когато давате назад или издърпвате машината към вас.
- Не променяйте настройките на регулатора на двигателя или не превишавайте скоростта на двигателя.
- Стартирайте двигателя внимателно съгласно инструкциите на производителя и с крака далеч от инструмента.

ДРУГИ ПРЕДУПРЕЖДЕНИЯ ЗА БЕЗОПАСНОСТ

ОБУЧЕНИЕ

- Прочете внимателно инструкциите. Запознайте се с управлението и правилната употреба на машината.
- Никога не позволявайте на хора, непознати с тези инструкции или деца да използват машината. Местните разпоредби могат да ограничат възрастта на оператора.
- Никога не работете, докато в близост има хора, особено деца или домашни любимци.
- Имайте предвид, че операторът или потребителят е отговорен за инциденти или опасности, причинени на други хора или тяхната собственост.

ПОДГОТОВКА

- Докато работите винаги носете масивни обувки и дълги панталони. Не работете с оборудването, когато сте бос или носите отворени сандали.
- Инспектирайте старателно зоната, където ще бъде използвано оборудването и премахнете всички предмети, които могат да бъдат изхвърлени от машината
- Преди употреба правете винаги визуална инспекция за да проверите дали инструментите не са износени или повредени. Подменяйте износените или повредените елементи и болтове в комплект за да съхраните баланса.

РАБОТА

- Не работете с двигателя в затворени пространства, където може да се събере дим съдържащ опасен въглероден моноксид.
- Работете единствено на дневна светлина или на добра изкуствена светлина
- Винаги бъдете сигурни за стабилността на краката по наклон

- Не поставяйте ръцете или краката си в близост или под въртящите се части.
- Никога не вдигайте или носете машината, докато двигателят работи.
- Използвайте само с акумулаторни батерии и зарядни устройства изброени на фиг. А.

РАБОТА ВЪРХУ НАКЛОН:

Наклоните са главен фактор свързан с инциденти с подхлъзване и падане, които могат да доведат до сериозно нараняване. Винаги бъдете сигурни за стабилността на краката по наклон. Работата при наклони изисква допълнително внимание. Ако се чувствате неуверени по наклон, не работете.

- Внимавайте за дупки, бразди, скрити предмети или издатини, които могат да причинят подхлъзване или препъване. Високата трева може да скрие препятствия.

ОБСЛУЖВАНЕ

- Обслужвайте вашия електрически инструмент чрез квалифициран техник, като използвате само идентични резервни части. Това ще осигури поддържането на безопасност не електрическия инструмент.
- Никога не поправяйте повредени акумулаторни батерии. Ремонтът на акумулаторни батерии трябва да бъде извършван от производителя или оторизиран сервиз.

⚠ ПРЕДУПРЕЖДЕНИЕ: Прочетете всички предупреждения за безопасност, инструкции, илюстрации и спецификации предоставени с този електрически инструмент. Неспазването на всички инструкции изброени долу може да доведе до токов удар, пожар и/или сериозно нараняване. Запазете всички предупреждения и инструкции за бъдеща справка.

ЗАПАЗЕТЕ ТЕЗИ ИНСТРУКЦИИ

СПЕЦИФИКАЦИИ

Ширина на култивиране	240 mm	
Дълбочина на култивиране	215 mm	
Размер на ножа	215 mm	
Работна температура	0°C-40°C	
Температура на съхранение	-20°C-70°C	
Тегло (включително предпазителя)	3,9 kg	
Измерено ниво на сила на звука L_{WA}	87,6 dB(A) K=2,02 dB(A)	
Ниво на звуково налягане при ухото на оператора L_{PA}	77,0 dB(A) K=3 dB(A)	
Гарантирано ниво на сила на звука L_{WA} (измерено съгласно 2000/14/EC)	90 dB(A)	
Оценка на вибрации v_h :	Предната спомагателна ръкохватка	0,94 m/s ² K= 1,5 m/s ²
	Задна ръкохватка	1,24 m/s ² K= 1,5 m/s ²

- Горните параметри са тествани и измерени оборудвани със захранваща глава RH1400E.
- Декларираният общ размер на вибрации е измерен в съответствие със стандартния метод за тест и може да бъде използван за сравнение между два инструмента;
- Декларираният общ размер на вибрации може също така да бъде използван за предварителна оценка на влиянието.

БЕЛЕЖКА: Вибрационните емисии по време на действителната употреба на електрическия инструмент може да се различава от декларираната стойност. С цел да се защити оператора, потребителят трябва да носи ръкавици и антифони в действителни условия на употреба.

ОПАКОВЪЧЕН ЛИСТ

ИМЕ НА ЧАСТ	БРОЙ
Приставка за култиватор	1
Предпазител (с болт)	1
Ключ за вътрешен шестостен	1
Ръководство на оператора	1

ОПИСАНИЕ

ОПОЗНАЙТЕ ВАШИЯ КУЛТИВАТОР (Фиг. А)

1. КРАЙНА КАПАЧКА
2. Шпиндел на приставката за култиватор
3. Редуктор
4. Ръкав
5. Външни ножове
6. Вътрешни ножове
7. Щифт за теглене
8. Предпазител
9. Ключ за вътрешен шестостен

МОНТАЖ

⚠ ПРЕДУПРЕЖДЕНИЕ: Ако някои от частите са повредени или липсват, не работете с този продукт, докато частите не се подменят. Използването на този продукт с повредени или липсващи части може да доведе до сериозно лично нараняване.

⚠ ПРЕДУПРЕЖДЕНИЕ: Не се опитвайте да модифицирате този продукт или да създадете аксесоари, които не се препоръчват за употреба с този продукт. Всяка такава промяна или модификация е злоупотреба и може да доведе до опасни условия с последици от възможни сериозни наранявания.

⚠ ПРЕДУПРЕЖДЕНИЕ: Винаги носете ръкавици за тежки приложения, когато монтирате или изваждате ножа, или когато извършвате някакво обслужване на ножа. Внимавайте за ножа и предпазвайте ръцете си за нараняване от него.

⚠ ПРЕДУПРЕЖДЕНИЕ: Не свързвайте култиватора със захранващата глава, докато монтажът не е завършен. Неспазването може да доведе до инцидентно стартиране и възможно сериозно нараняване.

МОНТАЖ НА ПРЕДПАЗИТЕЛЯ

⚠ ПРЕДУПРЕЖДЕНИЕ: Инсталирайте предпазителя преди приставката за култиватор да бъде свързана към захранващата глава.

1. Разхлабете и отстранете болта от предпазителя с ключ за вътрешен шестостен (Фиг. В).
2. Повдигнете шпиндела на приставката за култиватор и отстранете крайната капачка от шпиндела.
3. Подравнете прореза в предпазителя с металната пластина на единия край на шпиндела, прекарайте предпазителя през шпиндела, докато отворите с резба в предпазителя и в металната пластина съвпадат (Фиг. С и D).
4. Използвайте ключ за вътрешен шестостен, за да затегнете болта по часовниковата стрелка, за са фиксирате сигурно предпазителя.

Фиг. D - за описание на части виж по-долу:

D-1	Болт
-----	------

СВЪРЗВАНЕ НА ПРИСТАВКАТА ЗА КУЛТИВАТОР КЪМ ЗАХРАНВАЩАТА ГЛАВА

⚠ ПРЕДУПРЕЖДЕНИЕ: Никога не монтирайте или регулирайте приставка, докато захранващата глава работи или когато батерията е монтирана. Неспазването за спиране на мотора и изваждане на батерията може да доведе до сериозно нараняване.

Тази приставка за култиватор е проектирана за употреба с EGO захранваща глава RH1400E.

1. Спрете двигателя и извадете акумулаторната батерия
2. Разхлабете крилчатия винт на съединителя на захранващата глава.
3. Ако крайната капачка е на шпиндела на приставката, отстранете я и запазете на сигурно място за по-късна употреба.

Подравнете стрелката на шпиндела на култиватора със стрелката на съединителното устройство (Фиг. E) и бутнете шпиндела на култиватора, докато чуете ясен "щракващ" (Фиг. F).

Фиг. E описание на части виж долу:

E-1	Бутон за освобождаване на шпиндела
E-2	Стрелка на съединителното устройство
E-3	Крилчат винт
E-4	Стрелка на шпиндела на приставката
E-5	Червена линия

Фиг. F описание на части виж долу:

F-1	Червена линия
-----	---------------

4. Издърпайте леко шпиндела на приставката на култиватора, за да се уверите, че е сигурно заключен в съединителя. Ако не е, завъртете шпиндела на култиватора назад и напред в съединителя, зокато се чуе звук "ЩРАК" указващ, че е зацепен.
5. Затегнете сигурно крилчатия винт.

⚠ ПРЕДУПРЕЖДЕНИЕ: Уверете се, че крилчатият винт на съединителя е сигурно затегнат, преди да работите с оборудването, проверявайте го за затягане периодично по време на употреба за да избегнете сериозно нараняване.

ИЗВАЖДАНЕ НА ПРИСТАВКАТА ОТ ЗАХРАНВАЩАТА ГЛАВА

1. Спрете мотора и извадете акумулаторната батерия.
2. Разхлабете крилчатия винт.
3. С натиснат бутон за освобождаване на шпиндела издърпайте или усучете шпиндела на приставката на култиватора от съединителя, за да го извадите от захранващата глава.

ЕКСПЛОАТАЦИЯ

⚠ ПРЕДУПРЕЖДЕНИЕ: Не позволявайте рутината с този продукт да ви направи непредпазливи. Запомнете, че невнимание за малка част от секундата е достатъчна за да нанесе сериозно нараняване.

⚠ ПРЕДУПРЕЖДЕНИЕ: Винаги носете защита за очите заедно със защита за слуха. Ако не го направите може да доведе до изхвърляне на предмети към очите ви и други възможни сериозни наранявания.

⚠ ПРЕДУПРЕЖДЕНИЕ: Не използвайте други приставки или аксесоари, които не са препоръчани от производителя на този продукт. Употребата на приставки или аксесоари, които не са препоръчани, може да доведе до сериозно нараняване.

ПРИЛОЖЕНИЯ

- Може да използвате този продукт за целите описани долу:
- Разрохкване на градинска почва за подготовка на лежи за засяване на растения.
- Плитка култивация, за да изкорените плевелите или да разрохквате почвата около растенията, което улеснява проникването на въздух или вода дълбоко в почвата.
- Горно подсилване на почвата с компост, листа или други органични торове. Плитка култивация за разбиване на горната кора на почвата и внасяне на добавени хранителни вещества.
- Изготвяне на траншеи или бразди в рохкава почва.

ЗАБЕЛЕЖЕТЕ: За да предотвратите повреда на култиватора или дървета, внимавайте да не закачате ножовете в големи корени на дървета. Избягвайте прекалено дълбоко култивиране, тъй като това може да повреди плитките корени на някои растения.

ИСПОЛЗВАНЕ НА ПРИСТАВКАТА ЗА КУЛТИВАТОР СЪС ЗАХРАНВАЩА ГЛАВА

▲ ПРЕДУПРЕЖДЕНИЕ: Облечете се правилно за да намалите риска от нараняване, когато работите с този инструмент. Не носете отпуснати дрехи или бижута. Носете защита за очите. Носете предпазни обувки. Носете тежки, дълги панталони, ботуши и ръкавици. Не носете къси панталони или сандали или не ходете бос.

Дръжте култиватора с едната си ръка за задната ръкохватка и с другата ръка за предната спомагателна ръкохватка. Поддържайте здрав захват и с двете ръце, докато работите с култиватора. Култиваторът трябва да бъде държан в удобна позиция, като задната ръкохватка е на височината на бедрото.

Поддържайте вашия захват и баланса на двата крака (Фиг. G).

Можете да работите като движите култиватора напред или назад, отляво надясно, отдясно наляво или с кръгово движение. Изберете най-добрия метод подходящ за вашата цел, който зависи от формата и размерите на терена и състоянието на почвата.

Работа с редуващо се движение назад и напред е особено подходящо за разрохкване на сбита почва.

Когато правите траншеи или бразди, вървете бавно назад и дърпайте култиватора, за да създадете браздата. Повторете, ако е необходимо, за да получите по-дълбоки бразди.

ЗАБЕЛЕЖЕТЕ: Дърпането на култиватора внимателно към вас докато копае в почвата ще намали вашите усилия и ще направи култивирането по-лесно.

Изхвърлените материали могат сериозно да наранят оператор или човек наоколо. За да намалите риска от лично нараняване, изключително важно е да вземете следните предпазни мерки:

- Проверете и почистете зоната от всякакви скрити предмети като стъкла, камъни, скали, бетон, оградна тел, парчета метал и др., които могат да бъдат изхвърлени или увлечени от ножовете. Избягвайте контакта с твърди или солидни предмети.
- Проверявайте ножовете периодично и често за признаци на повреда или след удар в твърд предмет. Не продължавайте да работите с повреден нож.
- Винаги дръжте култиватора с двете си ръце, когато работите. Използвайте здрав захват на двете ръкохватки
- Придвижете култиватора до работната зона, преди да стартирате, и стартирайте култиватора на ниска скорост.

Преди всяка употреба проверявайте за повредени и/или износени части. Проверете ножовете, предпазителя, и предната спомагателна ръкохватка и подменете всички части, които са напукани, деформирани, изкривени или повредени по някакъв начин.

Почиствайте култиватора след всяка употреба.

ЗА ДА СТАРТИРАТЕ/СПРЕТЕ ИНСТРУМЕНТА

Вижте раздел **“СТАРТИРАНЕ/СПИРАНЕ НА ЗАХРАНВАЩАТА ГЛАВА”** в ръководството на оператора на захранваща глава RH1400E.

ПОДДРЪЖКА

▲ ПРЕДУПРЕЖДЕНИЕ: Когато обслужвате, използвайте само идентични резервни части. Употребата на каквито и да е други части може да създаде опасност или да предизвика повреда на продукта. За да осигурите безопасността и надеждността, всички поправки трябва да се извършват от квалифициран сервизен техник.

▲ ПРЕДУПРЕЖДЕНИЕ: Инструментите с батерия не трябва да бъдат закачени към електрически контакт, поради това те винаги са в работно състояние. За да предотвратите сериозно нараняване вземете допълнителни предпазни мерки и грижи, когато извършвате поддръжка, обслужване или при смяна на режещите или други приставки.

▲ ПРЕДУПРЕЖДЕНИЕ: За да предотвратите сериозно нараняване на хора, отстранявайте акумулаторната батерия от захранващата глава и изчакайте всички ножове да спрат преди обслужване, почистване смяна на приставки или когато продуктът не се използва.

▲ ПРЕДУПРЕЖДЕНИЕ: Винаги носете ръкавици за тежки приложения, когато монтирате или изваждате ножа, или когато извършвате някакво обслужване на ножа. Внимавайте за ножа и предпазвайте ръцете си за нараняване от него.

ОБЩА ПОДДРЪЖКА

▲ ПРОЕИДОПОИЗН: Никога не позволявайте спирачна течност, бензин, петролни продукти, проникващи масла и т.н. да влизат в контакт с пластмасовите части. Химикалите могат да повредят, отслабят или разрушат пластмаса, което може да доведе сериозно нараняване.

▲ ПРОЕИДОПОИЗН: Когато почиствате приставката култиватор НЕ потапяйте във вода или други течности. Не почиствайте машината с водоструйка. Силната водна струя може да повреди частите на машината.

- Дръжте всички гайки, болтове и винтове затегнати, за да сте сигурни, че оборудването е в безопасно работно състояние.
- За да намалите опасността от пожар, дръжте двигателя, шумозаглушителя, отделението за батерията свободни от растителен материал и прекомерна грес.
- Подменете износените или повредените части свързани с безопасността.

ПОДДЪРЖАНЕ НА НОЖОВЕТЕ

- Поддържайте ножовете периодично с масло срещу ръжда.
- Ако някои от ножовете трябва да бъдат заменени поради износване, заменете всичките четири ножа за най-добра ефективност.

Обслужване на култиватора освен на позициите изброени в инструкциите за поддръжка, трябва да бъде извършвано от квалифициран сервизен персонал.

За замяна

Култиваторът има четири ножа – два вътрешни ножа и два външни ножа. За правилна работа на култиватора ножовете трябва да бъдат инсталирани с правилната ориентация. На ножовете са щамповани символите L и R (Фиг. Н и I).

Фиг. Н и I описание на частите виж по-долу:

H-1	Задвижващ вал	H-7	Щифт за теглене
H-2	Вътрешна втулка	I-1	Щифт за теглене
H-3	Външна втулка	I-2	Външен нож с щамповано "R"
H-4	Символ L	I-3	Вътрешен нож с щамповано "R"
H-5	Вътрешен нож с щамповано "L"	I-4	Символ R
H-6	Външен нож с щамповано "L"		

ЗАБЕЛЕЖЕТЕ: НОЖОВЕТЕ, КОИТО ИМАТ ЗЪБИ НАСОЧЕНИ В ДВЕТЕ ПОСОКИ ТРЯБВА ДА БЪДАТ МОНТИРАНИ ОТВЪТРЕ, НАЙ-БЛИЗО ДО РЕДУКТОРА

1. Носете ръкавици.
2. Поставете вътрешния нож с щамповано "L", който има зъби насочени в двете посоки, отляво на редуктора.
3. Поставете външния нож с щамповано "L" (зъбите са само от едната страна) от същата страна с външната втулка срещу вътрешния нож.
4. За да закрепите ножа към задвижващия вал вмъкнете щифта за теглене във фиксиращия отвор 1. Вижте фиг. J, K, L и N за справка.
5. Завъртете инструмента с инсталирания нож поставен върху земята.
6. Поставете вътрешния нож с щамповано "R", който има зъби насочени в двете посоки, отясно на редуктора.
7. Поставете външния нож с щамповано "R" (зъбите са само от едната страна) от същата страна с външната втулка срещу вътрешния нож.
8. За да закрепите ножа към задвижващия вал вмъкнете щифта за теглене във фиксиращия отвор 1 и след това завъртете щифта за теглене на 90°. Вижте фиг. J, K, L и N за справка.

⚠ ПРЕДУПРЕЖДЕНИЕ: Уредът няма да работи правилно или може да причини опасност за оператора или околни хора, ако ножовете не са инсталирани правилно. Ако забележите проблем при култивирането с уреда, проверете за правилно позициониране на ножовете.

НОЖОВЕТЕ, КОИТО ИМАТ ЗЪБИ НАСОЧЕНИ В ДВЕТЕ ПОСОКИ, ТРЯБВА ДА БЪДАТ МОНТИРАНИ ОТ ВЪТРЕШНАТА СТРАНА, НАЙ-БЛИЗО ДО КОРПУСА НА РЕДУКТОРА.

За регулиране

Когато култивирате в тясно пространство или между редове, култиваторът може да бъде използван само с инсталирани вътрешни ножове.

Носете ръкавици и отстранете двата щифта за теглене, за да отстраните двата външни ножа (Фиг. М) и след това вмъкнете щифтовете за теглене във фиксиращия отвор 2 (Фиг. N и O).

Фиг. N описание на части виж по-долу:

N-1	Фиксиращ отвор 1
N-2	Фиксиращ отвор 2

ЗАБЕЛЕЖЕТЕ: Не насилвайте ножовете върху или от задвижващия вал. Ако изпитвате затруднения, когато снемате ножовете, нанесете малко проникващо масло върху вала. Когато инсталирате отново ножовете, почистете и смажете задвижващия вал и ножовете.

ПОЧИСТВАНЕ НА УРЕДА

Части на растения, като корени, могат да се оплетат плътно около или между въртящите се ножове по време на работа. За почистване на въртящите се ножове:

- Премахнете батерията
- Носете ръкавици. Почистете частите от корени, прилепнала почва или растения от ножа, предпазителя или редуктора. За цялостно почистване снемете ножовете и предпазителя, за да ги измиете изцяло. За детайлната последователност на поставянето вижте горния раздел

“ПОДМЯНА И РЕГУЛИРАНЕ НА НОЖОВЕТЕ”.

- Избършете повърхността на инструмента с мека кърпа навлажнена с мек сапунен разтвор.

СЪХРАНЯВАНЕ НА УРЕДА

- Извадете акумулаторната батерия от инструмента.
- Отстранете приставката на култиватора от захранващата глава и покрийте шпиндела на приставката с крайната капачка, за да предотвратите проникването на замърсявания в съединителя.
- Съхранете инструмента на сухо място с добра вентилация извън достъпа на деца. Не съхранявайте уреда в близост или върху тор, бензин или други химикали.

Опазване на околната среда



Не изхвърляйте електрическо оборудване, зарядно устройство за акумулаторни батерии и батерии/ акумулаторни батерии в домакинския отпадък. Съгласно европейския закон 2012/19/ЕС, електрическо и електронно оборудване, което повече не може да се използва и съгласно европейското законодателство 2006/66/ЕО, дефектните или използваните акумулаторни батерии/батерии трябва да се събират отделно. Ако се изхвърлят електрически уреди в сметища или буница, опасни вещества могат да изтекат в подпочвените води и да попаднат в хранителната верига, като увредят вашето здраве и благосъстояние.

ОТСТРАНЯВАНЕ НА ПРОБЛЕМИ

ПРОБЛЕМ	ПРИЧИНА	РЕШЕНИЕ
Култиваторът не може да стартира.	<ul style="list-style-type: none"> ■ Акумулаторната батерия не е прикрепена към захранващата глава. ■ Няма електрически контакт между захранващата глава и акумулаторната батерия. ■ Акумулаторната батерия е изтощена. ■ Лостът за отключване и спусъкът не са натиснати едновременно. 	<ul style="list-style-type: none"> ■ Закрепете акумулаторната батерия към захранващата глава. ■ Извадете батерията, проверете контактите и поставете наново акумулаторната батерия така, че да се фиксира на място. ■ Заредете акумулаторната батерия със зарядно устройство EGO посочено в това ръководство. ■ Натиснете и задръжте лоста за отключване и след това натиснете спусъка за да включите уреда.
Култиваторът спира по време на култивиране.	<ul style="list-style-type: none"> ■ Двигателят е претоварен. ■ Акумулаторната батерия е твърде гореща. ■ Ножовете са блокирани. ■ Акумулаторната батерия е разединена от инструмента ■ Акумулаторната батерия е изтощена 	<ul style="list-style-type: none"> ■ Двигателят ще се възстанови, когато натоварването е отстранено. За непрекъсната работа намалете натоварването на култиватора и избягвайте дълбоко култивиране, вместо това правете постепенно по-дълбоки бразди. ■ Позволете на акумулаторната батерия да се охлади, докато температурата спадне под 67°C . ■ Отстранете батерията от захранващата глава, завъртете ръчно ножовете назад и напред, за да отстраните камъните и други препятствия между ножовете или ■ Монтирайте отново акумулаторната батерия. ■ Заредете акумулаторната батерия със зарядно устройство EGO посочено в това ръководство.

ГАРАНЦИЯ

ГАРАНЦИОННА ПОЛИТИКА EGO

Моля посетете уебсайта egopowerplus.com за пълните условия по гаранционната политика на EGO.

BG

PROČITAJTE UPUTE U CIJELOSTI!



UPUTE ZA UPORABU PROČITAJTE S RAZUMIJEVANJEM

⚠️ PREOSTALE OPASNOSTI! Osobe s elektroničkim uređajima poput srčanih elektrostimulatora prije korištenja ovog proizvoda trebaju se posavjetovati sa svojim liječnikom. rad električne opreme u neposrednoj blizini srčanih elektrostimulatora može prouzročiti smetnju ili kvar srčanog elektrostimulatora.

⚠️ UPOZORENJE! Radi osiguranja sigurnosti i pouzdanosti sve popravke i zamjene treba obavljati kvalificirani servisni tehničar.

SIGURNOSNI SIMBOLI

Svrha sigurnosnih simbola je skretanje pozornosti na moguće opasnosti. Sigurnosni simboli i njihova objašnjenja zahtijevaju vašu potpunu pozornost i razumijevanje. Sami simboli upozorenja ne isključuju opasnost. Upute i upozorenja koja pružaju nisu zamjena za propisne mjere za prevenciju nesreća.

UPOZORENJE! Prije korištenja ovog alata pobrinite se da sve upute u ovom korisničkom priručniku, uključujući sve sigurnosne simbole kao što su “OPASNOST”, “UPOZORENJE” i “OPREZ” pročitate s razumijevanjem. Zanemarivanje svih uputa navedenih u nastavku može rezultirati strujnim udarom, požarom i/ili teškim tjelesnim ozljedama.

ZNAČENJE SIMBOLA

Znak sigurnosnoga upozorenja: Označava

OPASNOST, UPOZORENJE ili OPREZ. Može se koristiti zajedno s drugim simbolima i piktogramima.



⚠️ Upozorenje! Rukovanje električnim alatima može rezultirati odbacivanjem stranih predmeta u oči što opet može izazvati teška oštećenja očiju. Prije početka rukovanja električnim alatom uvijek nosite zatvorene zaštitne naočale ili zaštitne naočale s bočnim štitičnicima, a prema potrebi i štitičnik za cijelo lice. Preporučujemo nošenje sigurnosne maske proizvođača Wide Vision preko naočala, ili nošenje standardnih zaštitnih naočala s bočnim štitičnicima.

HR

SIGURNOSNE NAPOMENE

Na ovoj stranici slikovno su prikazani i objašnjeni sigurnosni simboli koji se mogu pojaviti na ovom proizvodu. Prije pokušaja sastavljanja i rukovanja s razumijevanjem pročitajte sve upute na stroju i pridržavajte ih se.

	Simbol upozorenja	Ukazuje na potencijalnu opasnost od tjelesnih ozljeda.
	S razumijevanjem pročitajte priručnik za rukovatelje	Radi smanjenja opasnosti od ozljeda, prije korištenja ovog proizvoda korisnik treba s razumijevanjem pročitati ovaj korisnički priručnik.
	Nosite zaštitu za sluh.	Kada upotrebljavate proizvod, nosite zaštitu za sluh.
	Nosite zaštitu za oči.	Kada rukujete ovim proizvodom, nosite zatvorene zaštitne naočale ili zaštitne naočale s bočnim štitičnicima.
	Nosite zaštitne rukavice.	Kada rukujete nožem, zaštitite ruke rukavicama. Neklizajuće rukavice za teške radne uvjete poboljšavaju zahvat i štite ruke.
	Nosite sigurnosnu obuću.	Kada koristite ovu opremu nosite neklizajuću sigurnosnu obuću.
	Povratni udar	Odbačeni predmeti mogu odskočiti i rezultirati tjelesnim ozljedama ili materijalnom štetom.
	Držite stopala dalje	Da biste smanjili rizik od posjeklina, stopala držite dalje od rotirajućih noževa.
	Promatrače držite na udaljenosti	Držite promatrače na sigurnoj udaljenosti
	CE	Ovaj proizvod je u skladu s primjenjivim Direktivama EU.
	WEEE	Otpadni električni proizvodi ne smiju se odlagati s otpadom iz kućanstva. Odnosite ih u ovlašteni centar za reciklažu.

	Buka	Zajamčena razina snage zvuka.
	Ne izlažite kiši.	Proizvod ne koristite na kiši ili ne ostavljajte ga na otvorenom kada pada kiša.
IPX4	IP simbol	Zaštita od prodora vode, 4. stupanj
V	Volt	Napon
mm	Milimetar	Duljina
kg	Kilogram	Masa

OPĆA SIGURNOSNA UPOZORENJA ZA ELEKTRIČNE ALATE

⚠ UPOZORENJE Pročitajte sva upozorenja, upute, ilustracije u vezi sigurnosti i tehničke podatke isporučene s ovim električnim alatom. Zanemarivanje svih uputa navedenih u nastavku može rezultirati strujnim udarom, požarom i/ili teškim ozljedama.

Sačuvajte sva upozorenja i sve upute za buduće potrebe.

SIGURNOST RADNOG PODRUČJA

- Radno područje održavajte čistim i dobro osvijetljenim. Pretrpana ili mračna područja izazivaju nesreće.
- Nemojte koristiti alate s napajanjem u eksplozivnom okruženju, kao što je neposredna blizina zapaljivih tekućina, plinova ili prašine. Električni alat stvara iskre koje mogu zapaliti prašinu ili isparenja.
- Djecu i promatrače držite podalje tijekom rada s električnim alatom. Ometanja mogu rezultirati gubitkom kontrole nad alatom.

ELEKTRIČNA SIGURNOST

- Električni alat ne izlažite kiši ili mokrim uvjetima. Prodiranje vode u električni alat povećat će rizik od strujnog udara.

OSOBNA SIGURNOST

- Budite oprezni, gledajte što radite i koristite uobičajeni osjećaj kada radite s električnim alatom. Električni alat ne koristite kada ste umorni ili pod utjecajem opojnih sredstava, alkohola ili lijekova. Trenutak nepažnje tijekom rada s električnim alatima može rezultirati teškim tjelesnim ozljedama.

- Uvijek koristite odgovarajuću zaštitnu opremu. Osobna zaštitna oprema kao što je zaštita za oči, zaštitna maska od prašine, zaštitne cipele s potplatama protiv klizanja, zaštitna kaciga i/ili štitnici za sluh, koja se koristi za odgovarajuća stanja, umanjit će opasnost od ozljede.
 - Spriječite nehотиčno uključivanje alata. Prije povezivanja alata na bateriju, podizanja ili njegovog nošenja, provjerite nalazi li se sklopka u isključenom položaju. Nošenje alata sa prstom na prekidaču ili aktivacija alata sa uključenim prekidačem izaziva nezgode.
 - Skinite s alata sve ključeve za podešavanje ili pritezanje prije uključivanja njegovog napajanja. Zatezni ili ključ za stezanje glave koji ostane pričvršćen na pokretni dio alata može dovesti do tjelesne ozljede.
 - Ne prekoračujte vrijednosti. Cijelo vrijeme održavajte propisno držanje i ravnotežu. To će omogućiti bolju kontrolu nad električnim alatom u neočekivanim situacijama.
 - Obucite se prikladno. Nemojte nositi široku odjeću i nakit. Kosu i odjeću držite dalje od pokretnih dijelova. Pokretni dijelovi mogu zahvatiti široku odjeću, nakit ili dugu kosu.
 - Ako postoje uređaji za povezivanje s usisivačima i skupljačima prašine, provjerite jesu li dobro spojeni i koriste li se ispravno. Uporaba takve opreme umanjuje opasnost koja nastaje nakupljanjem prašine.
 - Zbog sigurnosti koju ste stekli zbog učestale upotrebe uređaja nemojte biti opušteni i zanemariti sigurnosna načela rukovanja s alatom. Neoprezna radnja može dovesti do teške ozljede u djeliću sekunde.
- ### KORIŠTENJE I NJEGA ELEKTRIČNOG ALATA
- Ne preopterećujte električni alat. Koristite ispravan električni alat za svoju primjenu. Ispravan električni alat bolje će i sigurnije obaviti zadatak brzinom za koju je konstruiran.
 - Ne koristite električni alat ako ga prekidač ne uključuje i isključuje. Svaki električni alat koji se ne može kontrolirati prekidačem opasan je i potrebno ga je popraviti.
 - Ako je odvojiv, izvadite baterijski modul iz električnog alata i/ili aktivirajte napravu za onemogućavanje baterije, ako postoji, prije početka čišćenja zaglavljenoj materijala, namještanja, zamjene dodatne opreme, čišćenja ili pohranjivanja električnih alata. Takve preventivne sigurnosne mjere smanjuju opasnost od nehottičnog pokretanja električnog alata.
 - Nekorišteni električni alat skladištite izvan dohvata djece i ne dopustite osobama koje ne poznaju električni alat ili ove upute da rade s električnim alatom. Električni alati opasni su u rukama neobučениh korisnika.

- Održavajte električni alat i pribor. Provjerite da pokretni dijelovi alata nisu necentrirani ili zaglavljivi, da nema polomljenih dijelova i drugih stanja koja mogu utjecati na rad električnog alata. Ako ima oštećenja, svakako ih prije korištenja otklonite. Mnoge nezgode su nastale upravo zbog slabog održavanja električnog alata i pribora.
- Rezne alate održavajte oštima i čistima. Propisno održavani rezni alati s oštrim reznim rubovima vjerojatno se neće spajati i lakši su za upravljanje.
- Električni alat, dodatnu opremu i alatne nastavke, itd., koristite u skladu s ovim uputama, uzimajući u obzir radne uvjete i zadatak koji je potrebno obaviti. Korištenje električnog alata za radove drukčije od namjenskih može rezultirati opasnim situacijama.
- Neka vam ruke i površine rukohvata budu suhe, čiste i bez ulja i masti. Skliske drške i površine rukohvata
- mogu biti uzrok nesigurne upotrebe i/ili gubitka nadzora nad alatom.
- Sklonite kabele iz radnog prostora alata. Tijekom rada kabeli mogu biti skriveni od pogleda i može ih se slučajno oštetiti alatom.

KORIŠTENJE I NJEGA BATERIJSKOG ALATA

- Punjenje obavljajte samo s punjačem kojeg je naveo proizvođač. Punjač koji je prikladan za jedan tip kompleta baterija može stvoriti rizik od požara ako ga se koristi s drugim kompletom baterija.
- Električni alat koristite samo s točno propisanim baterijskim modulima. Korištenje drugih kompleta baterija može stvoriti rizik od ozljeda i požara.
- Kada se komplet baterija ne koristi, držite ga podalje od drugih metalnih predmeta poput spajalica za papir, kovanica, ključeva, čavala, vijaka ili drugih malih metalnih predmeta koji mogu međusobno spojiti kontakte. Kratko spajanje baterijskih kontakata može prouzročiti opekline ili požar.
- U slučaju pogrešne uporabe baterija može izbaciti tekućinu; izbjegavajte kontakt. Ako slučajno dođe do doticaja, odnosno mjesta isperite vodom. Ako tekućina dođe u doticaj s očima, dodatno potražite pomoć liječnika. Tekućina koju izbaci baterija može prouzročiti nadražaj kože ili opekline.
- Nemojte rabiti ako je pakiranje oštećeno ili otvoreno. Oštećene ili izmijenjene baterije mogu se nepredviđeno ponašati, što može dovesti do požara, eksplozije i posljedičnih ozljeda.
- Baterijski modul nemojte izlagati vatri i prekomjernim temperaturama. Izlaganje utjecaju vatre i temperature iznad 130 °C može dovesti do eksplozije.

- Slijedite sve upute za punjenje i nemojte puniti baterijski modul ili alat izvan raspona temperature navedenog u uputama. Nepravilno punjenje ili punjenje na temperaturi izvan zadanog raspona može dovesti do oštećenja baterije i povećavanja opasnosti od nastanka požara.

OSTALA SIGURNOSNA UPOZORENJA

OBUKA

- Pozorno pročitajte upute. Upoznajte se s upravljačkim elementima i propisnom uporabom stroja.
- Nikada nemojte dopustiti da osobe koje nisu upoznate s ovim uputama ili djeca koriste stroj. Lokalni propisi mogu ograničavati starosnu dob rukovatelja.
- Nemojte raditi ako se u blizini nalaze drugi ljudi, osobito djeca ili domaće životinje
- Imajte na umu da je rukovatelj ili korisnik odgovoran za nesreće ili opasnosti za druge osobe ili njihovu imovinu.

PRIPREMA

- Nosite čvrstu obuću i dugačke hlače za vrijeme rada. Nemojte koristiti uređaj bosonogi ili s otvorenim sandalama.
- Detaljno pregledajte područje na kojem ćete koristiti uređaj, uklonite sve predmete koje kosilica može odbaciti;
- Prije upotrebe, uvijek pogledom pregledajte je li alat istrošen ili oštećen. Zamijenite istrošene ili oštećene dijelove i vijke u kompletima kako biste održali ravnotežu.

RAD

- Nemojte rukovati uređajem u zatvorenom prostoru gdje se mogu nakupiti opasne isparavanja ugljičnog monoksida
- Radite samo pri dnevnom ili jakom umjetnom svjetlu
- Osigurajte dobro uporište na nagibima
- Hodajte, nikada nemojte trčati sa strojem.
- Koristite li okretni uređaj s kotačima, radite samo poprijeko nizbrdice, a ne gore-dolje.
- S velikim oprezom mijenjajte smjer na nizbrdicama;
- Nemojte raditi na iznimno strmim kosinama.
- Budite vrlo oprezni pri vožnji unatrag ili povlačenju stroja prema sebi.
- Nemojte mijenjati postavke regulatora brzine i nemojte prekoračivati brzinu vrtnje motora.
- Oprezno pokrenite motor u skladu s uputama proizvođača držeći stopala što dalje od alata.

- Ne dovodite ruke ili stopala u blizinu ili ispod rotirajućih dijelova.
- Nemojte dizati ili prenositi stroj dok je motor u radu;
- Upotrebjavajte samo s baterijskim modulima i punjačima koji su navedeni na sl. A.

UPOTREBA NA KOSINI:

Kosine su glavni čimbenik uz kojega su vezane nezgode uslijed proklizavanja ili padova koji mogu dovesti do teških ozljeda. Osigurajte dobro uporište na nagibima. Pri radu na kosinama potreban je pojačan oprez. Ako se na kosini osjećate nesigurno, nemojte je koristiti.

- Pazite na rupe, brazde, kamenje, skrivene predmete i neravnine, zbog kojih možete proklizati ili se spotaknuti. Visoka trava može skrivati prepreke.

SERVISIRANJE

- Servisiranje električnog alata prepustite kvalificiranom osoblju za popravak koje koristi samo identične zamjenske dijelove. Time će se osigurati održavanje sigurnosti električnog alata.
- Nemojte popravljati oštećene baterijske module. Popravak baterijskog modula smije izvršiti samo proizvođač ili ovlašteni serviser.

⚠ UPOZORENJE! Pročitajte sva upozorenja, upute, ilustracije u vezi sigurnosti i tehničke podatke isporučene s ovim električnim alatom. Zanemarivanje svih uputa navedenih u nastavku može rezultirati strujnim udarom, požarom i/ili teškim ozljedama. Sva upozorenja i upute spremite za buduće potrebe.

SACUVAJTE OVE UPUTE.

TEHNIČKI PODACI

Širina kultiviranja	240 mm
Dubina kultiviranja	215 mm
Veličina noža	215 mm
Radna temperatura	0°C-40°C
Temperatura skladištenja	-20°C-70°C
Težina (uključujući štitnik)	3,9 kg
Izmjerena razina zvučne snage LWA	87,6 dB(A) K=2,02 dB(A)
Razina zvučnog tlaka kod rukovatelja LPA pri uhu	77,0 dB(A) K=3 dB(A)

Zajamčena razina snage zvuka LWA (izmjereno sukladno Direktivi 2000/14/EZ)	90 dB(A)	
Procjena vibracija $a_{h,v}$:	Prednji pomoćni rukohvat	0,94 m/s ² K= 1,5 m/s ²
	Stražnji rukohvat	1,24 m/s ² K= 1,5 m/s ²

- Gore navedeni parametri ispitani su i izmjereni za stroj opremljen pogonskom jedinicom PH1400E.
- Deklarirane ukupne vrijednosti vibracija izmjerene su u skladu sa standardnom metodom ispitivanja i mogu se koristiti za usporedbu jednog alata s drugim;
- Deklarirane ukupne vrijednosti vibracija mogu se koristiti i u preliminarnoj procjeni izloženosti.

OBVIJEST: Emisija vibracija tijekom aktualnog korištenja električnog alata može se razlikovati od deklarirane vrijednosti u kojoj se alat koristi; Radi zaštite rukovatelja korisnik treba nositi rukavice i štitnike za uši u aktualnim uvjetima.

SADRŽAJ PAKIRANJA

NAZIV DIJELA	KOLIČINA
Priključak kultivatora	1
Štitnik (s vijkom)	1
Imbus ključ	1
Korisnički priručnik	1

OPIS

UPOZNAJTE SE S KULTIVATOROM (sl. A)

1. ZAVRŠNA KAPICA
2. Osovina priključka kultivatora
3. Reduktor
4. Navlaka
5. Vanjski noževi
6. Unutarnji noževi
7. Zatik kuke.
8. Štitnik
9. Imbus ključ

SASTAVLJANJE

⚠ UPOZORENJE: Ako je bilo koji dio oštećen ili ako nedostaje, ne koristite ovaj proizvod dok ne zamijenite dijelove. Korištenje ovog proizvoda oštećenih dijelova ili dijelova koji nedostaju može rezultirati teškim tjelesnim ozljedama.

⚠ UPOZORENJE: Ne pokušavajte obavljati preinake na ovom proizvodu ili raditi pribor koji nije preporučen za uporabu s ovim proizvodom. Sve takve izmjene ili preinake predstavljaju nepropisno korištenje i mogu rezultirati opasnim stanjima koja mogu dovesti do mogućih teških tjelesnih ozljeda.

⚠ UPOZORENJE: Kada postavljate ili uklanjate oštricu ili kada obavljate održavanje oštrice, uvijek nosite čvrste rukavice. Budite oprezni s oštricom i zaštitite ruke od ozljeda od oštrice.

⚠ UPOZORENJE: Ne spajajte kultivator na pogonsku jedinicu dok ne završite montažu. Nepostupanje u skladu s tim može rezultirati iznenadnim pokretanjem i mogućim teškim tjelesnim ozljedama

POSTAVLJANJE ŠTITNIKA

⚠ UPOZORENJE: Montirajte štitnik prije postavljanja priključka kultivatora na pogonsku jedinicu.

- Otpustite i uklonite vijak za štitnika koristeći imbus ključ (sl. B).
- Podignite osovinu priključka kultivator i uklonite krajnji poklopac s osovine.
- Poravnajte utor u štitniku s metalnim jezičkom na kraju osovine, provucite štitnik kroz osovinu tako da rupe na vijku u štitniku i u metalnom jezičku budu poravnate (sl. C i D).
- Imbus ključem stegnite vijak okrećući ga udesno.

Opis dijelova na Sl. D pogledajte u nastavku:

D-1	Vijak
-----	-------

PRIKLJUČIVANJE PRIKLUČKA KULTIVATORA NA POGONSKU JEDINICU

⚠ UPOZORENJE: Priključak nikada ne pričvršćujte ili ne podešavajte dok pogonska jedinica radi ili kada je baterija postavljena. Zanemarivanje zaustavljanja motora i uklanjanja baterije može rezultirati teškim tjelesnim ozljedama.

Ovaj priključak kultivatora predviđen je za korištenje s pogonskom jedinicom PH1400E proizvođača EGO.

- Zaustavite rad motora i izvadite baterijski modul
- Otpustite krilasti vijak na spojnici pogonske jedinice.
- Ako je krajnji poklopac postavljen na osovinu priključka, uklonite ga i pospremite na sigurno mjesto za kasniju upotrebu.

Poravnajte strelicu na osovini kultivatora sa strelicom na spojnici (sl. E) i gurajte osovinu kultivatora u spojnicu dok ne čujete zvuk "KLIK" (sl. F).

Opis dijelova na sl. E pogledajte u nastavku:

E-1	Gumb za oslobađanje vratila
E-2	Strelica na spojnici
E-3	Krilasti vijak
E-4	Strelica na osovini priključka
E-5	Crvena crta

Opis dijelova na Sl. F pogledajte u nastavku:

F-1	Crvena crta
-----	-------------

- Lagano povucite osovinu priključka kultivatora kako biste provjerili je li učvršćen u spojnici. Ako nije, okrećite osovinu kultivatora naprijed-natrag u spojnici dok ne začujete „KLIK“ koji označava da se zahvatila.
- Stegnite krilasti vijak.

⚠ UPOZORENJE: Pobrinite se da je krilasti vijak na spojnici do kraja stegnut prije nego počnete koristiti opremu; povremeno provjerite njegovu stegnutost tijekom upotrebe kako ne bi došlo do teških ozljeda.

UKLANJANJE PRIKLUČKA S POGONSKE JEDINICE

- Zaustavite motor i izvadite komplet baterija.
- Otpustite krilasti vijak.
- S pritisnutim gumbom za oslobađanje osovine, povucite ili uvrtanjem izvucite osovinu priključka kultivatora iz spojnice kako biste je izvadili iz pogonske jedinice.

RAD

⚠ UPOZORENJE: Nemojte dopustiti da vas poznavanje ovog proizvoda učini nepažljivim. Imajte na umu da je za nanošenje teških ozljeda dovoljan samo djelić sekunde nepažnje.

⚠ UPOZORENJE: Uvijek nosite zaštitu za oči i zaštitu za sluh. Nepostupanje u skladu s tim može rezultirati odbacivanjem predmeta u oči i drugim mogućim teškim ozljedama.

⚠ UPOZORENJE: Ne koristite priključke ili pribor koje nije preporučio proizvođač ovog proizvoda. Korištenje nepreporučenih priključaka ili pribora može rezultirati teškim tjelesnim ozljedama.

PRIMJENE

Ovaj proizvod možete koristiti za svrhe navedene u nastavku:

- Miješanje stvrdnutog tla u svrhu pripreme gredica za ponovno sađenje.
- Plitko kultiviranje kako bi se iskorijenio korov ili omekšalo tlo oko biljku, što olakšava prodiranje zraka ili vode duboko u tlo.
- Površinska priprema tla kompostom, lišćem ili drugim organskim gnojivima. Plitko kultiviranje će omekšati gornji sloj tla i integrirati dodane hranjive tvari.
- Prosijecanje ili oranje u omekšalom tlu.

NAPOMENA: Kako ne biste oštetili kultivator ili stabla, pazite da noževi ne zapnu za velike komade korijenja ili stabala. Nemojte pređuboko kultivirati, jer tako možete oštetiti plitko korijenje nekih biljki.

KORIŠTENJE KULTIVATORA S POGONSKOM JEDINICOM

⚠ UPOZORENJE: Obucite se propisno kako biste smanjili rizik od ozljeda tijekom rukovanja alatom. Ne nosite široku odjeću ili nakit. Nosite zaštitu za oči. Nosite zaštitnu obuću. Nosite jake duge hlače, čizme i rukavice. Nemojte nositi kratke hlače ili sandale ili biti bosonogi.

Držite kultivator jednom rukom na stražnjem rukohvatu, a drugom rukom na prednjem pomoćnom

rukohvatu. Tijekom rukovanja kultivatorom rukovate čvrsto primite objema rukama. Kultivator se mora držati u ugodnom položaju sa stražnjim rukohvatom u visini kuka.

Održavajte zahvat i ravnotežu na oba stopala (sl. G).

Možete raditi pomičući kultivator naprijed i natrag, ulijevo i udesno ili u kružnim pokretima. Odaberite najbolji način koji odgovara vašoj namjeni, što ovisi o obliku i veličini površine i uvjetima u tlu.

Rad uz naizmjenično mijenjanje pravca naprijed-natrag posebno je prikladan za omekšavanje pakiranog tla.

Prilikom prosijecanja i oranja, polako hodajte unatrag i povlačenjem kultivatora napravite brazdu. Ponavljajte po potrebi dok ne dobijete dublje brazde.

NAPOMENA: Pažljivim povlačenjem kultivatora prema sebi, dok isti kopa tlo, smanjit ćete napor i olakšati kultiviranje.

Odbačeni materijal može teško ozlijediti rukovatelja ili promatrača. Radi smanjenja opasnosti od ozljeda važno je poduzeti sljedeće mjere opreza:

- Pregledajte i očistite područje od skrivenih predmeta kao što su staklo, kamenje, beton, žičana ograda, komadi metala itd. koji mogu biti odbačeni ili se zaglaviti u noževima. Izbjegavajte kontakt s tvrdim ili čvrstim stranim predmetima.
- Redovito pregledavajte ima li na noževima znakova oštećenja ili u slučaju udara o tvrdi predmet. Nemojte nastaviti raditi s oštećenom oštricom.
- Uvijek držite kultivator objema rukama za vrijeme upotrebe. Čvrsto držite obje drške.
- Pomaknite kultivator u radno područje prije nego ga pokrenete na nižoj brzini.

Prije svake uporabe provjerite oštećene i/ili istrošene dijelove. Provjerite noževe, štitnik i prednji pomoćni rukohvat i zamijenite dijelove koji su napukli, deformirani, svinuti ili oštećeni na bilo koji način.

Očistite kultivator poslije svake upotrebe.

POKRETANJE/ZAUSTAVLJANJE ALATA

Pogledajte poglavlje "POKRETANJE/ ZAUSTAVLJANJE POGONSKE JEDINICE" u korisničkom priručniku pogonske jedinice PH1400E.

ODRŽAVANJE

⚠ UPOZORENJE: Pri servisiranju koristite samo identične zamjenske dijelove. Korištenje drugih dijelova može izazvati opasnost ili prouzročiti oštećenje proizvoda. Radi osiguranja sigurnosti i pouzdanosti sve popravke treba obavljati kvalificirani servisni tehničar.

⚠ UPOZORENJE: Baterijske alate nije potrebno uključivati u električnu utičnicu, stoga su uvijek u radnom stanju. Da biste spriječili ozbiljne tjelesne ozljede, poduzmite dodatne mjere opreza i brige prilikom održavanja, servisiranja ili mijenjanja priključaka za rezanje ili drugih priključaka.

⚠ UPOZORENJE: Kako biste spriječili pojavu teških ozljeda, uklonite baterijski modul iz pogonske jedinice i pričekaite da se svi noževi zaustave, a tek tada – ili kada se uređaj ne koristi – započnite servisiranje, čišćenje, zamjenu dodatnih priključaka.

⚠ UPOZORENJE: Kada postavljate ili uklanjate oštricu ili kada obavljate održavanje oštrice, uvijek nosite čvrste rukavice. Budite oprezni s oštricom i zaštitite ruke od ozljeda od oštrice.

OPĆE ODRŽAVANJE

⚠ UPOZORENJE: Nemojte dopustiti da kočione tekućine, benzin, proizvodi na bazi nafte, penetrirajuća ulja i sl., dođu u doticaj s plastičnim dijelovima. Kemikalije mogu oštetiti, oslabiti ili uništiti plastiku što može rezultirati ozbiljnim tjelesnim ozljedama.

⚠ UPOZORENJE: Kada čistite priključak kultivatora, NEMOJTE ga uranjati u vodu ili druge tekućine. Nemojte čistiti uređaj tlačnim peraćem. Čvrsti mlaz vode može oštetiti dijelove stroja.

- Sve matice, svornjak i vijke održavajte pritegnutima kako biste bili sigurni da je oprema u sigurnom radnom stanju.
- Kako biste smanjili opasnost od požara, motor, prigušivač, odjeljak s baterijama održavajte čistim bez biljnog materijala i prekomjerne masti;
- Iz sigurnosnih razloga zamijenite oštećene ili istrošene dijelove.

ODRŽAVANJE NOŽA

- Redovito održavajte noževe uljem protiv korozije.
- Ako je bilo koji nož potrebno zamijeniti zbog istrošenosti, zamijenite sva četiri noža, tako ćete postići najbolju učinkovitost.

Sve servisne postupke vezane uz kultivatora, osim predmeta navedenih u uputama za održavanje, mora provoditi osoblje servisa.

Za zamjenu

Kultivator je opremljen četirima noževima – dvama unutarnjim i dvama vanjskim. Kako bi kultivator pravilno radio, noževi moraju biti ugrađeni u pravilnom smjeru. Na noževima su otisnuti simboli L (lijevo) i R (desno) (sl. H & I).

Opis dijelova na sl. H i I pogledajte u nastavku:

H-1	Pogonsko vratilo	H-7	Zatik kuke.
H-2	Unutarnja čahura	I-1	Zatik kuke.
H-3	Vanjska čahura	I-2	Vanjski nož s oznakom „R“
H-4	Simbol L	I-3	Unutarnji nož s oznakom „R“
H-5	Unutarnji nož s oznakom „L“	I-4	Simbol R
H-6	Vanjski nož s oznakom „L“		

NAPOMENA: NOŽEVI SA ZUPCIMA OKRENUTIMA U OBA SMJERA MORAJU SE MONTIRATI NA UNUTARNJU STRANU, NAJBLIŽE REDUKTORU

1. Nosite rukavice.
2. Unutarnji nož, onaj s oznakom „L“ (čiji zupci su okrenuti u oba smjera), postavite lijevo od reduktora.
3. Vanjski nož, onaj s oznakom „L“ (zupci okrenuti samo u jednom smjeru), postavite na istu stranu, s vanjskom čahurom postavljenom uz unutarnji nož.
4. Kako biste pričvrstili nož za osovinu pogona, umetnite zatik s kukom u rupu za blokiranje – 1. Pogledajte sl. J, K, L i N za referencu.
5. Preokrenite alat tako da ugrađeni nož bude prislonjen uz tlo.
6. Unutarnji nož, onaj s oznakom „R“ (čiji zupci su okrenuti u oba smjera), postavite desno od reduktora.
7. Vanjski nož, onaj s oznakom „R“ (zupci okrenuti samo u jednom smjeru), postavite na istu stranu, s vanjskom čahurom postavljenom uz unutarnji nož.
8. Kako biste pričvrstili nož za osovinu pogona, umetnite zatik s kukom u rupu za blokiranje – 1 pa okrenite zatik s kukom za 90°. Pogledajte sl. J, K, L i N za referencu.

⚠ UPOZORENJE: Uređaj neće pravilno raditi ili može ugroziti rukovatelja ili promatrače ako su noževi nepravilno ugrađeni. Ako primijetite problem u kultivacijskom radu uređaja, provjerite je li nož pravilno postavljen.

NOŽEVI ČIJI SU ZUPCI OKRENUTI U OBA SMJERA MORAJU BITI MONTIRANI NA UNUTARNJI DIO, NAJBLIŽE REDUKTORU.

Za prilagodbu

Prilikom kultiviranja u ograničenom području ili između redova, kultivator ćete moći koristiti samo ako su ugrađeni unutarnji noževi.

Nosite rukavice i uklonite dva zatika s kukom kako biste izvadili dva vanjska noža (sl. M), a zatim umetnite zatike s kukom u rupu za blokiranje – 2 (sl. N & O).

Opis dijelova na sl. N pogledajte u nastavku:

N-1	Rupa za blokiranje – 1
N-2	Rupa za blokiranje – 2

NAPOMENA: Nemojte silom pokušavati postaviti ili skinuti noževe s osovine pogona. Ako imate poteškoća pri uklanjanju noževa, na osovinu nanosite malo penetrirajućeg ulja. Kada ponovno montirate noževe, nemojte zaboraviti očistiti i podmazati osovinu pogona i noževe.

ČIŠĆENJE JEDINICE

Dijelovi biljaka kao što je korijenje, mogu se čvrsto omotati oko ili između okretnih noževa za vrijeme rada. Čišćenje okretnih noževa:

- Uklonite bateriju.
- Nosite rukavice. Očistite komade korijenja, nakupine tla ili biljaka s noža, štitnika ili reduktora. Za detaljno čišćenje potrebno je ukloniti noževe i štitnik i u potpunosti ih isprati. Detaljne upute za zamjenu pronaći ćete u odjeljku u nastavku

„ZAMJENA I PODEŠAVANJE NOŽEVA“.

- Površinu alata obrišite čistom krpom navlaženom u blagoj sapunici.

SKLADIŠTENJE JEDINICE

- Izvadite baterijski modul iz alata.
- Uklonite priključak kultivatora s pogonske jedinice i začepite istu krajnjim poklopcem kako biste izbjegli ulaz prijavštine u spojnicu.
- Alat čuvajte na suhom, dobro prozračenom mjestu izvan dohvata djece. Jedinicu nemojte skladištiti na gnojivima, benzinu ili drugim kemikalijama ili u njihovoj blizini.

Zaštita okoliša



Električnu opremu, punjač baterije i baterije/akumulatorske baterije ne odlažite u otpad iz kućanstva! Prema Europskoj Direktivi 2012/19/EU o električnoj i elektroničkoj opremi koja više nije iskoristiva i prema Europskoj Direktivi 2006/66/EZ neispravne ili iskorištene komplete baterija/baterije potrebno je sakupljati zasebno. Ako se električni uređaji odlažu na odlagališta otpada ili deponije, opasne tvari mogu iscurjeti u podzemne vode i dospjeti u lanac ishrane, oštećujući tako vaše zdravlje i blagostanje.

OTKLANJANJE SMETNJI

PROBLEM	UZROK	RJEŠENJE
Kultivator se ne može pokrenuti.	<ul style="list-style-type: none"> ■ Baterijski modul nije propisno pričvršćen na pogonsku glavu. ■ Nema električnog kontakta između pogonske glave i baterijskog modula. ■ Baterijski modul je ispražnjen. ■ Ručica za deblokadu i okidač ne pritišću se istodobno. 	<ul style="list-style-type: none"> ■ Pričvrstite baterijski modul na pogonsku glavu. ■ Izvadite bateriju, provjerite kontakte i ponovno stavite baterijski modul. tako da sjedne na mjesto. ■ Baterijski modul punite punjačem proizvođača EGO koji je naveden u ovom priručniku. ■ Pritisnite ručicu za blokadu i držite je pritisnutom i zatim pritisnite okidač kako biste uključili uređaj.
Kultivator se zaustavio za vrijeme kultiviranja.	<ul style="list-style-type: none"> ■ Motor je preopterećen. ■ Baterijski modul je prevruć. ■ Noževi su zaglavljani. ■ Baterijski modul je odspojen s alata ■ Baterijski modul je ispražnjen 	<ul style="list-style-type: none"> ■ Motor će se povratiti po uklanjanju opterećenja. Za rad bez prekida potrebno je smanjiti opterećenje kultivatora i izbjegavati duboko kultiviranje; umjesto toga, postupno produbljujte rezove. ■ Pričekajte da se baterijski modul ohladi na temperaturu ispod 67 °C. ■ Uklonite bateriju iz pogonske jedinice, ručno zaokrenite noževe naprijed-natrag kako biste uklonili kamenje i druge prepreke između noževa ili između noža i reduktora. ■ Vratite baterijski modul. ■ Baterijski modul punite punjačem proizvođača EGO koji je naveden u ovom priručniku.

JAMSTVO

JAMSTVENA POLITIKA PROIZVOĐAČA EGO

Za cjelokupne uvjete jamstvene politike proizvođača EGO posjetite internetsku stranicu egopowerplus.com.



სრულად გაეცანით ინსტრუქციას!



სრულად გაეცანით ინსტრუქციას

▲ არსებული რისკი! პიროვნებებმა ისეთი ელექტრული მოწყობილობებით, როგორცაა იმპლანტირებული დეფიბრილატორი, უნდა მიმართონ პირად ექიმს რჩევისთვის ამ პროდუქტის გამოყენებამდე. იმპლანტირებულ დეფიბრილატორთან უშუალო სიახლოვეს ელექტრული მოწყობილობის ოპერირებამ შესაძლოა დეფიბრილატორს ხელი შეუშალოს მუშაობაში ან გათიშოს იგი.

▲ გაფრთხილება: ხელსაწყოს უსაფრთხოდ და გამართულად მუშაობისთვის საჭიროა მისი ყველა შეკეთება და ნაწილის შეცვლა შესრულდეს კვალიფიციური სერვისის ტექნიკოსის მიერ.

უსაფრთხოების წესის სიმბოლოები

უსაფრთხოების წესის სიმბოლოების მიზანია მიაქციოთ ყურადღება შესაძლო საფრთხეებს. ყურადღებით გაეცანით და შეისწავლეთ უსაფრთხოების წესის სიმბოლოები და მათი შესაბამისი განმარტებები. უსაფრთხოების წესის სიმბოლოების მინიშნებები თავისთავად არ ანეიტრალებს რაიმე საფრთხის არსებობის რისკს. მათ მიერ მოწოდებული ინსტრუქციები და გაფრთხილებები არ არიან შემთხვევის თავიდან აცილების სწორი პროცედურის შემცველები.

▲ გაფრთხილება: ხელსაწყოს გამოყენებამდე დაწვრილებით გაეცანით და შეისწავლეთ ყველა უსაფრთხოების წესი მომხმარებლის ამ ინსტრუქციაში, მათ შორის ყველა უსაფრთხოების წესის სიმბოლო როგორცაა „საშიშროება“, „გაფრთხილება“ და „ყურადღება“. ქვემოთ ჩამოთვლილი ყველა ინსტრუქციის უგულბებლყოფამ შესაძლოა გამოიწვიოს ელექტრული შოკი, ხანძარი და/ან მოგაყენოთ სერიოზული პირადი ზიანი.

სიმბოლოების მნიშვნელობა

▲ უსაფრთხოების შეტყობინების სიმბოლო: აღნიშნავს „საშიშროება“, „გაფრთხილება“ ან „ყურადღება“. შესაძლოა გამოყენებულ იქნას სხვა სიმბოლოებთან ან პიქტოგრამებთან ერთად.



▲ გაფრთხილება!

ელექტრული ხელსაწყოს გამოყენებისას შესაძლოა უცხო სხეულის თვალების მიდამოში მოხვედრა, რამაც შესაძლოა გამოიწვიოს თვალის მნიშვნელოვანი დაზიანება. ელექტრული ხელსაწყოს გამოყენებამდე აუცილებლად მორიგეთ უსაფრთხოების თვალსაფარი ან სათვალე მყარი თვალის დამცავით და მთლიანი სახის ეკრანით. ჩვენ რეკომენდაციას ვუწვევთ ფართო ხედვის არის მქონე უსაფრთხოების ნიღაბს სათვალეებთან ერთად ან სტანდარტულ გვერდითა ეკრანების მქონე უსაფრთხოების სათვალეებს.

უსაფრთხოების წესის ინსტრუქცია

ეს გვერდი აჩვენებს და აღწერს იმ უსაფრთხოების წესის სიმბოლოებს, რომლებიც შესაძლოა აღბეჭდილია მოცემულ პროდუქტზე. წაკითხეთ, შეისწავლეთ და მიყევით ხელსაწყოს ყველა ინსტრუქციას მის აწყობამდე და ჩართვამდე.

KA

	უსაფრთხოების ნიშანი	აღნიშნავს შესაძლო პირადი ზიანის საფრთხეს.
	წაიკითხეთ და გაეცანით მომხმარებლის ინსტრუქციას	დაზიანების რისკის შესამცირებლად მომხმარებელმა უნდა წაიკითხოს და გაეცნოს ხელსაწყო მუშაობის ინსტრუქციას მის გამოყენებამდე.
	გაიკეთეთ სმენის დამცავი საშუალება	ყოველთვის გაიკეთეთ ყურების დამცავი ხელსაწყოთი სარგებლობისას
	გაიკეთეთ თვალების დამცავი	ყოველთვის მორიგეთ უსაფრთხოების თვალსაფარი ან გვერდითა ეკრანების მქონე უსაფრთხოების სათვალე ხელსაწყოთი სარგებლობისას.
	ჩაიცვით დამცავი ხელთათმანები	დაიცავით თქვენი ხელები ხელთათმანებით, როდესაც ეხებით დანებს. მოცურების საწინააღმდეგო, დამცავი ხელთათმანები აუმჯობესებენ ხელის მოჭიდებას და იცავენ თქვენს ხელებს.
	ჩაიცვით უსაფრთხოების დამცავი ფეხსაცმელი	ჩაიცვით მოცურების საწინააღმდეგო ფეხსაცმელი ხელსაწყო გამოყენებისას.
	რიკომშეტი	შესაძლოა გამოტყორცნილი სხეულების რიკომშეტირება და ამით პირადი ან ქონებრივი ზიანის მიყენება.

	მოარიდეთ ფეხები	დაზიანების რისკის შესამცირებლად მოარიდეთ ფეხები მჭრელ მბრუნავ დანებს.
	მოარიდეთ სხვა ადამიანები	მოარიდეთ სხვა ადამიანები უსაფრთხო მანძილზე
	CE	ხელსაწყო შეესაბამება ევროკავშირის მიერ წამოყენებულ რეგულაციებს.
	WEEE	ელექტრული ხელსაწყოების უტილიზაცია არ უნდა მოხდეს საყოფაცხოვრებო ნარჩენებთან ერთად. წაიღეთ ხელსაწყო ავტორიზირებულ ნარჩენების გადამამუშავებელთან.
	ხმაური	გარანტირებული ხმის სიმძლავრის დონე.
	არ მოათავსოთ ხელსაწყო წვიმის ქვეშ	არ გამოიყენოთ წვიმაში ან დატოვოთ გარეთ წვიმის დროს.
IPX4	IP სიმბოლოები	მე-4-ე ხარისხის დაცვა წყლის შეღწევისგან
V	ვოლტი	ძაბვა
mm	მილიმეტრი	სიგრძე ან ზომა
kg	კილოგრამი	წონა

KA

ელექტრული ხელსაწყოების უსაფრთხოების ზოგადი მაჩვენებლები

⚠ გაფრთხილება! გაეცანით ამ ელექტრულ ხელსაწყოებთან დაკავშირებულ ყველა უსაფრთხოების მითითებას, ინსტრუქციას, ილუსტრაციას და სპეციფიკაციას. ქვემოთ ჩამოთვლილი ყველა ინსტრუქციის უგულვებელყოფამ შესაძლოა გამოიწვიოს ელექტრული შოკი, ხანძარი და/ან მოგაყენოთ სერიოზული ზიანი.

შეინახეთ ყველა მითითება და ინსტრუქცია სამომავლოდ გამოყენებისთვის.

სამუშაო არეს უსაფრთხოება

- დაიცავით სამუშაო არის სისუფთავე და იქონიეთ კარგი განათება. ჩახერგილი ან ბნელი სამუშაო არე იწვევს ინციდენტებს.
- არ ამუშაოთ ელექტრული ხელსაწყო ჰერში ფეთქებადი საშუალებების არსებობისას, როგორცაა ალუბადი სითხეები, აირები ან მტვერი. ელექტრული ხელსაწყოები წარმოქმნიან ნაპერწკალს, რომელმაც შესაძლოა აანთოს მტვერი ან აირი.
- ელექტრული ხელსაწყოთი სარგებლობისას მთავრად მას ბავშვები და სხვა პირები. ყურადღების გაფანტვას შეუძლია გამოიწვიოს ხელსაწყოზე კონტროლის დაკარგვა.

ელექტრული უსაფრთხოება

- არ დატოვოთ ელექტრული ხელსაწყოები წვიმაში ან სველ ადგილას. ელექტრულ ხელსაწყოში შესული წყალი ზრდის ელექტრული შოკის მიღების რისკს.

პირადი უსაფრთხოება

- ხელსაწყოს გამოყენებისას იყავით ფხიზლად, იმოქმედეთ დაკვირვებით და საღი აზრის გათვალისწინებით. არ გამოიყენოთ ხელსაწყო როდესაც ხართ დაღლილი, ან ალკოჰოლის, მედიკამენტების ან ნარკოტიკების ზემოქმედების ქვეშ. ხელსაწყოთი სარგებლობისას მყისიერმა უყურადღებობამ შეიძლება მოგაყენოთ სერიოზული პირადი ზიანი.

- ყოველთვის გამოიყენეთ პირადი დამცავი საშუალებები. შესაბამის სამუშაო პირობებში პირადი დამცავი საშუალებების გამოყენება, როგორცაა თვალის დამცავი, მტვრის საწინააღმდეგო ნიღაბი, მოცურების საწინააღმდეგო სპეც ფეხსაცმელი, მყარი ჩაფხუტი ან სმენის დამცავი, ამცირებს სამუშაო ტრამველს.
- უცაბედი ჩართვის ადვილად. დარწმუნდით რომ ჩამრთველი არის გამორთულ პოზიციაში ხელსაწყოს აკუმულატორთან მიერთებამდე, ხელსაწყოს მაღლა აწევამდე ან ტარებამდე. ელექტრული ხელსაწყოების ტარება ჩამრთველის ღილაკზე დადებული თითით ან ხელსაწყოს დენში მიერთება, რომელსაც გააქტიურებული აქვს ჩართვის ღილაკი, იწვევს ინციდენტებს.
- მოხსენით ნებისმიერი დამაგრებული მარეგულირებელი ხელსაწყო ან ქანჩის გასაღები ჩართვამდე. ელექტრული ხელსაწყოს მოძრავ ნაწილზე დამაგრებულმა ქანჩის გასაღებმა ან სხვა მარეგულირებელმა შესაძლოა მოგაყენოთ პირადი ზიანი.
- არ გადაიხაროთ. ყოველთვის დაიცავით ბალანსი და მყარად იდგით ფეხზე. ეს გაძლევთ საშუალებას მოახდინოთ ხელსაწყოს უკეთესი კონტროლი მოულოდნელ სიტუაციებში.
- ჩაიცვით შესაბამისად. არ ჩაიცვათ განიერი, ფრიალა ტანსაცმელი და ძვირფასეულობა. მოაცილოთ თქვენი თმა და ტანსაცმელი მოძრავ ნაწილებს. განიერი, ფრიალა ტანსაცმელი, ძვირფასეულობა და თმა შესაძლოა ჩაითრიოს მოძრავმა ნაწილებმა.
- თუ არსებობს მტვრის ან ნარჩენების შემგროვებელი საშუალებების შეერთების ადგილები, დარწმუნდით რომ ისინი სწორადაა დაკავშირებული და გამოყენებული. მტვრისთვის შეგროვებისთვის განკუთვნილი საშუალებების გამოყენებამ შესაძლოა შეამციროს მასთან დაკავშირებული საფრთხეები.

KA

- შეეცადეთ მსგავს ხელსაწყოებთან ხშირი მუშაობის გამოცდილებამ არ გამოიწვიოს თქვენი უზრუნველობა და არ გაუკეთოთ ხელსაწყოს უსაფრთხოების პრინციპებს იგნორირება. უგულისყურო საქციელმა წამის მეთაღდშიც კი შესაძლოა მოგიტანოთ სერიოზული ზიანი.

ელექტრული ხელსაწყოს გამოყენება და მოვლა

- არ დაატანოთ ძალა ხელსაწყოს. გამოიყენეთ სწორი ხელსაწყო თქვენი მიზნებისთვის. სწორი ხელსაწყო უკეთ და უფრო უსაფრთხოდ გააკეთებს იმ საქმეს, რომლისთვისად განკუთვნილია იგი.
 - არ გამოიყენოთ ხელსაწყო თუ ჩამრთველი არ რთავს ან თიშავს მას. ნებისმიერი ხელსაწყო, რომელიც ვერ კონტროლდება ჩამრთველით, სახიფათოა და საჭიროებს შეკეთებას.
 - თუ ამის შესაძლებლობა არსებობს მოხსენით აკუმულატორი ხელსაწყოს ან გააქტიურეთ აკუმულატორის გამთიშავი ნაწილი ჩაჭედილი საგნების მოშორებამდე, ნებისმიერი რეგულირებისას, ნაწილის ცვლილებისას, გაწმენდისას ან ხელსაწყოს შენახვამდე. მსგავსი პრევენციული უსაფრთხოების ზომები ამცირებს ელექტრული ხელსაწყოს უცაბედი ჩართვის რისკს.
 - გათიშული ელექტრული ხელსაწყოები შეინახეთ ზავშვებისთვის მიუწვდომელ ადგილას და არ მისცეთ ხელსაწყოს გამოყენების უფლება მისით სარგებლობის არმცოდნე ან მის ინსტრუქციაში ჩაუხედავ პირებს. ელექტრული ხელსაწყოები გამოუცდელი პირების ხელში სახიფათოა.
 - მოუარეთ ელექტრულ ხელსაწყოებს და მის ნაწილებს. შეამოწმეთ მოძრავი და შემაკავშირებელი ნაწილების ურთიერთწინააღმდეგობა, ნაწილების დაზიანება და სხვა მდგომარეობა, რომელმაც შეიძლება გავლენა იქონიოს ხელსაწყოს მუშაობაზე. დაზიანების შემთხვევაში შეაკეთეთ ხელსაწყო
- გამოყენებამდე. ბევრი ინციდენტი გამოწვეულია ცუდად მოვლილი ელექტრო ხელსაწყოების და მათი ნაწილების გამო.
 - მჭრელი ხელსაწყოები იქონიეთ სუფთა და ბასრ მდგომარეობაში. სწორად მოვლილი ბასრი დანის პირის მქონე მჭრელი ხელსაწყოების გახლართვა ნაკლებად ალბათურია და მათი კონტროლიც გაადვილებულია.
 - გამოიყენეთ ეს ხელსაწყო, მისი ნაწილები, მათი დამჭერები და ა.შ. ინსტრუქციის მიხედვით, სამუშაო გარემოს და სამუშაოს ტიპის გათვალისწინებით. ელექტრული ხელსაწყოს არადანიშნულებისამებრ გამოყენებამ შესაძლოა შექმნას სახიფათო სიტუაცია.
 - იქონიეთ სახელურები და სხვა ხელის ჩასაჭიდი ზედაპირები მშრალ და სუფთა, მათ შორის ცხიმისა და ზეთისგან თავისუფალ მდგომარეობაში. სრიალა სახელურებმა და ხელის ჩასაჭიდმა ზედაპირებმა შესაძლოა შექმნას სახიფათო სამუშაო პროცესი და/ან გამოიწვიოს ხელსაწყოზე კონტროლის დაკარგვა.
 - მოარიდეთ სადენები ხელსაწყოს სამუშაო არეს. მუშაობისას სადენი შესაძლოა ხედიდან დამალული იყოს და შემთხვევით დაზიანდეს ხელსაწყოს მიერ.

აკუმულატორის გამოყენება და მოვლა

- დატენეთ მხოლოდ მწარმოებლის მიერ მითითებული დამტენი მოწყობილობით. დამტენმა მოწყობილობამ, რომელიც თავსებადია ერთი ტიპის აკუმულატორთან, შესაძლოა წარმოშვას ხანძრის გაჩენის რისკი სხვა აკუმულატორზე გამოყენებისას.
- გამოიყენეთ ელექტრული ხელსაწყოები მხოლოდ სპეციალურად აღნიშნული აკუმულატორებით. სხვა აკუმულატორების გამოყენებამ შესაძლოა წარმოშვას ფიზიკური დაზიანების ან ხანძრის რისკი.

- როდესაც აკუმულატორს არ იყენებთ, მოაცილეთ იგი ლითონის საგნებს, როგორცაა ქაღალდის კლიპი, მონეტა, გასაღები, ლურსმანი, ხრახნი ან სხვა მცირე ზომის ლითონის საგნები, რომელთაც შეუძლიათ აკუმულატორის კონტაქტების დამოკლება. აკუმულატორის კონტაქტების დამოკლებამ შესაძლოა გამოიწვიოს დამწვრობა ან ხანძარი.
- არასწორი მოპყრობის შემთხვევაში სითხემ შესაძლოა გამოჟონოს აკუმულატორიდან; მოერიდეთ მასთან შეხებას. თუ შემთხვევით შეეხეთ სითხეს, ჩამოიბანეთ წყლით. თუ სითხე მოხვდა თვალებში, მიმართეთ ექიმს. აკუმულატორიდან გამოჟონილმა სითხემ შესაძლოა გამოიწვიოს გაღიზიანება ან დამწვრობა.
- არ გამოიყენოთ აკუმულატორი ან ხელსაწყო, რომელიც დაზიანებული ან გადაკეთებულია. დაზიანებულმა ან გადაკეთებულმა აკუმულატორმა შესაძლოა გამოავლინოს არაპროგნოზირებადი ქცევა, რამაც შეიძლება გამოიწვიოს ხანძარი, აფეთქება ან პირადი ზიანი.
- არ მოათავსოთ აკუმულატორი ან ხელსაწყო ცეცხლში ან მაღალ ტემპერატურულ გარემოში. 130 °C-ზე მაღალმა ტემპერატურამ შესაძლოა გამოიწვიოს აფეთქება.
- მიყევით დატენვის ინსტრუქციებს და არ დატენოთ აკუმულატორი ინტრუქციაში მითითებული ტემპერატურული დიაპაზონის გარეთ. არასწორი დატენვა ანდა აკუმულატორის დატენვა ინსტრუქციაში მითითებული ტემპერატურული დიაპაზონის გარეთ ზრდის ხანძრის რისკს.

სხვა უსაფრთხოების გაფრთხილებები

ტრენინგი

- ყურადღებით წიკითხეთ ინსტრუქციები. შეისწავლეთ ხელსაწყოს კონტროლის დილაკები და მათი მართებული გამოყენების გზა.

- არასდროს მისცეთ ხელსაწყოს გამოყენების უფლება მისით სარგებლობის არმცოდნე პირებს ან ბავშვებს. ადგილობრივმა კანონმდებლობამ შესაძლოა შეზღუდოს ხელსაწყოს მომხარებლის ასაკი.
- არასოდეს გამოიყენოთ ხელსაწყო თუ სხვა პირები, განსაკუთრებით ბავშვები ან შინაური ცხოველები არიან ახლოს.
- გაითვალისწინეთ რომ ოპერატორი ან მომხმარებელი პასუხისმგებელია იმ შემთხვევებზე ან საფრთხეებზე რაც შესაძლოა წარმოექმნას სხვა პირებს ან მათ ქონებას.

მომზადება

- ყოველთვის გამოიყენეთ მყარი ფეხსაცმელი და გრძელი შარვალი ხელსაწყოთი სარგებლობისას. არ გამოიყენოთ ხელსაწყო როცა ხართ ფეხშიშველი ან გაცვიათ ღია სანდლები.
- გულდასმით შეამოწმეთ ის არე, სადაც უნდა გამოიყენოთ ხელსაწყო და მოაცილეთ ყველა სხეული, რომელიც შეიძლება გამოტყორცნოს ხელსაწყომ.
- გამოყენებამდე ყოველთვის ვიზუალურად შეამოწმეთ ხელსაწყო ცვეთაზე ან დაზიანებაზე. შეცვალეთ გაცვეთილი ან დაზიანებული ნაწილები ერთად, რათა დაიცვათ ხელსაწყოს ცვეთის ბალანსი.

ეესპლუატაცია

- არ ისარგებლოთ მოტორით დახურულ შენობაში, სადაც შესაძლოა დაგროვდეს სახიფათო ნახშირბადის მონოოქსიდის გამონაბოლქვი.
- ისარგებლეთ ხელსაწყოთი მხოლოდ დღის სინათლეზე ან კარგი ხელოვნური განათების პირობებში.
- ყოველთვის დაწმუნდით თქვენს მყარ საყრდენზე ბეჭობზე ხელსაწყოს გამოყენებისას
- არასოდეს ირბინოთ, მხოლოდ იარეთ ხელსაწყოთი სარგებლობისას.

KA



- ბორბლიანი მბრუნავი ხელსაწყოების გამოყენებისას, იმუშავეთ ფერდობის განივი და არასოდეს მალა-დაბლა მიმართულებით.
- გამოიჩინეთ განსაკუთრებული სიფრთხილე ფერდობებზე მოძრაობის მიმართულების შეცვლის დროს.
- არ გამოიყენოთ ხელსაწყო ძალიან ცივად ფერდობებზე.
- გამოიჩინეთ განსაკუთრებული სიფრთხილე როდესაც უკან მოძრაობთ ან ქაზავთ ხელსაწყოს თქვენსკენ.
- არ შეეცვალოთ მოტორის ძირითადი პარამეტრები ან გადატვირთოთ იგი.
- ფრთხილად ჩართეთ მოტორი მწარმოებლის ინსტრუქციების გათვალისწინებით და მთავრად ფეხები ხელსაწყოს.
- არ მოათავსოთ თქვენი ხელები ან ფეხები მბრუნავი ნაწილების ახლოს ან ქვეშ.
- არასოდეს აწიოთ ან ატაროთ ხელსაწყო როცა მოტორი მუშაობს.
- გამოიყენეთ მხოლოდ ის აკუმულატორის ბლოკები და დამტენები, რომლებიც მითითებულია სურ. A-ში

ხელსაწყოს გამოყენება ფერდობზე:

ფერდობი არის მნიშვნელოვანი ფაქტორი ფეხის დაცურების და წაქცევის ტიპის ინციდენტებში, რომლებმაც შესაძლოა გამოიწვიონ მძიმე ფიზიკური დაზიანება. ყოველთვის დაწმუნდით თქვენს მყარ საყრდენზე ბეჭობზე ხელსაწყოს გამოყენებისას. ფერდობზე ხელსაწყოს გამოყენება საჭიროებს დამატებით სიფრთხილეს. თუ თქვენ თავს შეწუხებულად გრძნობთ ფერდობზე დგომისას, არ გამოიყენოთ ხელსაწყო იქ.

- მოერიდეთ ღრმულებს, თხრილებს, ქვებს, დამალულ საგნებს ან სხვა გამოშვორილებს, რომელთაც შეიძლება გამოიციონ თქვენი ფეხის დასრილება ან წამოკვრა. მაღალი ბალახი შესაძლოა ფარავდეს დაბრკოლებებს.

ტექნიკური სერვისი

- ხელსაწყოს ტექნიკური სერვისი შესარულებინეთ კვალიფიციურ პირს მხოლოდ იდენტური სათადარიგო ნაწილების გამოყენებით. მსგავსი პროცედურა უზრუნველყოფს ხელსაწყოს უსაფრთხოდ მუშაობას.
- არასოდეს შეაკეთოთ დაზიანებული აკუმულატორები. აკუმულატორების სერვისი მხოლოდ მწარმოებლის ან ავტორიზირებული სერვისის მომწოდებლის მიერ არის შესაძლებელი.

▲ გაფრთხილება: გაეცანით ამ ელექტრულ ხელსაწყოსთან დაკავშირებულ ყველა უსაფრთხოების მითითებას, ინსტრუქციას, ილუსტრაციას და სპეციფიკაციას. ქვემოთ ჩამოთვლილი ყველა ინსტრუქციის უგულბელებოვამ შესაძლოა გამოიწვიოს ელექტრული შოკი, ხანძარი და/ან მოგაყენოთ სერიოზული ზიანი. შეინახეთ ყველა მითითება და ინსტრუქცია სამომავლოდ გამოყენებისთვის.

შეინახეთ ეს მომხმარებლის ინსტრუქცია!

სპეციფიკაციები

ხუნის სიგანე	240 მმ
ხუნის სიღრმე	215 მმ
დანის ზომა	215 მმ
საექსპლუატაციო ტემპერატურა	0°C-40°C
დასაწყობების ტემპერატურა:	-20°C-70°C
წონა (დამკავი ეკრანის ჩათვლით)	3.9 KG
გაზომილი ხმის სიმძლავრის დონე L _{WA}	87.6 DB(A) K=202 DB(A)
ბგერის წნევის დონე მომხმარებლის ყურზე L _{PA}	77.0 DB(A) K=3 DB(A)
გარანტირებული ხმის სიმძლავრის დონე L _{WA} (გაზომილი 2000/14/EC რეგულაციის მიხედვით)	90 DB(A)

KA

ვიბრაციის შეფასება a_{H} :	რეგულირებადი წინა სახელური	0.94 M/S ² K= 1.5 M/S ²
	უკანა სახელური	1.24 M/S ² K= 1.5 M/S ²

- მითითებული პარამეტრები ტესტირებული და გაზომილია PH1400E ელექტრული თავის საშუალებით.
- მითითებული ვიბრაციის სრული მნიშვნელობა გაზომილია სტანდარტული ტესტირების მეთოდით და შესაძლოა გამოყენებულ იქნას ერთი ხელსაწყოს მეორესთან შედარებისას.
- მითითებული ვიბრაციის სრული მნიშვნელობა ასევე შესაძლოა გამოყენებულ იქნას ზემოქმედების პირველადი შეფასებისას.

▲ შენიშვნა: ელექტრული ხელსაწყოს ვიბრაციის ემისია გამოყენებისას შესაძლოა განსხვავდებოდეს მითითებული ოდენობისგან; მომხმარებელმა ხელსაწყოთი სარგებლობისას საჭიროა გამოიყენოს ხელთათმანები და ყურის დამცავი საშუალებები.

შეფუთვის ჩამონათვალი

ნაწილის დასახელება	რაოდენობა
მისამაგრებელი კულტივატორი	1
დამცავი ეკრანი (ჭანჭიკით).	1
ექვსწახნაგა შლიცის გასაღები	1
მომხმარებლის ინსტრუქცია	1

აღწერა

შეისწავლეთ თქვენი კულტივატორი (ნახ. A)

1. ტორსული ხუფი
2. მისამაგრებელი კულტივატორის ტარი
3. გადაცემათა კოლოფი

4. ქურო
5. დანის გარეთა პირები
6. დანის შიდა პირები
7. შტიფტი
8. დამცავი ეკრანი
9. ექვსწახნაგა შლიცის გასაღები

ანეობა

▲ გაფრთხილება: თუ რომელიმე ნაწილი დაზიანებულია ან დაკარგულია, არ ისარგებლოთ ხელსაწყოთი სანამ ყველა ნაწილი არ შეიცვლება. ხელსაწყოთი სარგებლობას დაზიანებული ან

▲ გაფრთხილება: არ სცადოთ ხელსაწყოს გადაკეთება ან ისეთი ნაწილების გამოყენება, რომლებიც არაა რეკომენდირებული ამ ხელსაწყოსთვის. ნებისმიერი მსგავსი ცვლილება ან მოდიფიკაცია არის ხელსაწყოს არასათანადო გამოყენება და შესაძლოა წარმოქმნას სახიფათო მდგომარეობა, რომელმაც შეიძლება გამოიწვიოს სერიოზული პირადი ზიანი.

▲ გაფრთხილება: ყოველთვის გამოიყენეთ დამცავი ხელთათმანები როდესაც აყენებთ ან ხსნით დანას ან უტარებთ სერვისს მას. უფრთხილდით დანას და დაცავით ხელები, რათა არ დაიშვოთ ისინი დანის პირზე.

▲ გაფრთხილება: არ შეუერთოთ კულტივატორი ელექტრულ თავს, სანამ არ დაასრულებთ მის აწყობას ბოლომდე. ამ ინსტრუქციის უგულბელებიდან გამომდინარე შესაძლოა გამოიწვიოს უცაბედი ჩართვა და მოგიტანოთ სერიოზული პერსონალური ზიანი.

დამცავი ეკრანის დამონტაჟება

▲ გაფრთხილება: დაამონტაჟეთ დამცავი ეკრანი მისამაგრებელი კულტივატორის ელექტრულ თავთან მიმაგრებამდე.

1. მოუშვით და მოხსენით ჭანჭიკი დამცავი ეკრანს ექვსწახნაგა შლიცის გასაღების საშუალებით (ნახ. B).

KA

- აწიეთ მისამაგრებელი კულტივატორის ტარი და მოხსენით მას ბოლოში არსებული ტორსული ხუფი.
- დამცავ ეკრანზე არსებული ნასვრეტი გაუსწორეთ ტარის ბოლოში დატანილ ლითონის ყუნწს, გაატარეთ ტარი დამცავ ეკრანში სანამ ეკრანზე და ლითონის ყუნწზე არსებული ხრახნებისთვის განკუთვნილი ხვრელები არ გაუსწორდება ერთმანეთს (ნახ. C და D).
- დაატრიალეთ ექვსწახნაგა შლიცის გასაღები საათის ისრის მიმართულებით რათა დაუჭიროთ დამცავი ეკრანი ჭანჭიკით.

ნახ. D ნაჩვენები ნაწილების აღწერა მოცემულია ქვევით:

D-1	ჭანჭიკი
-----	---------

ხელსაწყოს თავზე მისამაგრებელი კულტივატორის დამონტაჟება

▲ გაფრთხილება: არასოდეს დაამონტაჟოთ ან დაარეგულიროთ რაიმე მიმდგრებელი ხელსაწყო, როდესაც თავი მუშაობს ან მასში აკუმულატორი ჩამონტაჟებულია. მოტორის გაჩერების და აკუმულატორის მოხსნის უგულვებლყოფამ შესაძლოა მოგაყენოთ სერიოზული პირადი ზიანი.

მისამაგრებელი კულტივატორი განკუთვნილია EGO PH1400E ელექტრულ თავთან მუშაობისთვის.

- გააჩერეთ მოტორი და მოხსენით აკუმულატორი
- მოუშვით ელექტრულ თავის სამაგრ ქუროზე არსებული ქანჩყურა.
- თუ ტორსული ხუფი მიმდგრების ტარზეა, მოხსენით და შეინახეთ იგი უსაფრთხო ადგილას მომავალში გამოსაყენებლად. მისამაგრებელ კულტივატორზე არსებული ისარი გაუსწორეთ მაერთებელ ქუროზე მდებარე ისარს (ნახ. E) და ჩასვით კულტივატორის ტარი მაერთებელ ქუროში, სანამ არ გაიგებთ „წკაპ“ ხმას (ნახ. F).

ნახ. E ნაჩვენები ნაწილების აღწერა მოცემულია ქვევით:

E-1	ტარის მოხსნის დილაკი
E-2	მაერთებელ ქუროზე დატანილი ისარი
E-3	ქანჩყურა
E-4	მისამაგრებელ ხელსაწყოს ტარზე დატანილი ისარი
E-5	წითელი ხაზი

ნახ. F ნაჩვენები ნაწილების აღწერა მოცემულია ქვევით:

F-1	წითელი ხაზი
-----	-------------

- ოდნავ მოქაჩეთ მისამაგრებელი კულტივატორის ტარი, რათა დარწმუნდეთ რომ იგი უსაფრთხოდ არის ჩამაგრებული ქუროში. წინააღმდეგ შემთხვევაში დაატრიალეთ კულტივატორის ტარი წინა და უკანა მიმართულებით სამაგრ ქუროში, სანამ არ გაიგებთ „წკაპ“ ხმას, რაც აღნიშნავს რომ შეერთება წარმატებულია.
- მჭიდროდ დაუჭიროთ ქანჩყურა.

▲ გაფრთხილება: დარწმუნდით რომ სამაგრ ქუროზე არსებული ქანჩყურა არის სრულად დაჭერილი ხელსაწყოს გამოყენებამდე, პერიოდულად შეამოწმეთ დამჭერი, რათა თავიდან აიცილოთ სერიოზული პირადი ზიანი.

ხელსაწყოს თავიდან მიმდგრებელი მოწყობილობის მოხსნა

- გააჩერეთ მოტორი და მოხსენით აკუმულატორი.
- მოუშვით ქანჩყურა.
- ტარის მოხსნელი დილაკიდან დაჭერილი ხელის აუღებლად მოქაჩეთ ან დაატრიალეთ ელექტრულ თავზე მიმდგრებელი კულტივატორის ტარი, სანამ არ გამოიღებთ სამაგრი ქუროდან.

ექსპლუატაცია

▲ გაფრთხილება: შეეცადეთ მსგავსი პროდუქტის გამოყენების გამოცდილებამ არ გამოიწვიოს თქვენი უგულისყურობა. დაიმასხოვრეთ რომ უგულისყურობამ წამის მეთედშიც კი შესაძლოა მოგიტანოთ სერიოზული ზიანი.

▲ გაფრთხილება: ყოველთვის მოირგეთ უსაფრთხოების სათვალე, სმენის დამცავ საშუალებასთან ერთად. ამ ინსტრუქციის უგულებელყოფამ შესაძლოა გამოიწვიოს სხვადასხვა სხეულის თვალში მოხვედრა და სხვა შესაძლო სერიოზული ზიანი.

▲ გაფრთხილება: არ გამოიყენოთ სხვა ნებისმიერი ნაწილი, რომელიც არაა რეკომენდირებული ამ ხელსაწყოს მწარმოებლის მიერ. არარეკომენდირებული ნაწილის გამოყენებამ შესაძლოა მოგაყენოთ სერიოზული ზიანი.

გამოყენებები

თქვენ შეგიძლიათ გამოიყენოთ ხელსაწყო ქვემოთ ჩამოთვლილი მიზნებისთვის:

- ბალის ნიადაგის დაბარვა საჩითილე კვალის ხელახალი დათესვის მიზნით მოსამზადებლად.
- ნიადაგის არადრმა კულტივაცია სარეველების ამოძირკვის ან მიწის გაფხვიერების მიზნით, რაც ხელს უწყობს ჰაერისა და წყლის ღრმად შეღწევას ნიადაგში.
- ნიადაგის ზედაპირის განოციერება კომპოსტით, ფოთლებით ან სხვა ორგანული სასუქით. ნიადაგის არადრმა კულტივაცია გააფხვიერებს მიწის ზედა ფენას და შეურევს მას დამატებულ სასუქ ნივთიერებებს.
- გაფხვიერებული ნიადაგის მოხვნა ან მასში კვლების გაყვანა.

შენიშვნა: იმისათვის, რომ თავიდან აიცილოთ კულტივატორის ან ხეების დაზიანება, იზრუნეთ იმაზე რომ დანით არ წამოეგოთ ხეების დიდი ზომის ფესვებს. მოერიდეთ ძალიან ღრმა კულტივირებას, რამაც შესაძლოა დააზიანოს მცენარეთა ზედაპირული ფესვები.

მისამაგრებელი კულტივატორის გამოყენება ელექტრულ თავზე

▲ გაფრთხილება: ჩაიცვით შესაბამისად, რათა შეამციროთ დაზიანების რისკი ხელსაწყოთი სარგებლობისას. არ ჩაიცვათ განიერი, ფრიალა ტანსაცმელი და ძვირფასეულობა. გაიკეთეთ თვალბეჭის დამცავი. ჩაიცვით უსაფრთხოების დამცავი ფეხსაცმელი. ჩაიცვით სამუშაო გრძელი შარვალი, ჩექმა და ხელთათმანები. დაუშვებელია გეცვათ მოკლე შორტი, სანდლები ან იაროთ ფეხმიშველმა.

დაიჭირეთ კულტივატორი ორივე ხელით, მოათავსეთ ერთი ხელი უკანა სახელურზე, ხოლო მეორე ხელი - წინა სახელურზე. მუშაობისას ორივე ხელი მჭიდროდ მოკიდეთ კულტივატორს. კულტივატორი დაიჭირეთ კომფორტულ მდგომარეობაში, უკანა სახელურით დაახლოებით ბარძაყის დონეზე.

კარგად ჩაჭიდეთ ხელი ხელსაწყოს და იცავით ბალანსი ორივე ფეხზე (ნახ. G).

თქვენ შეგიძლიათ მუშაობის დროს გადაადგილოთ კულტივატორი წინ ან უკან, მარცხნიდან მარჯვნივ, მარჯვნიდან მარცხნივ, ან წრიული მოძრაობებით. აირჩიეთ საუკეთესო მეთოდი თქვენი მიზნისთვის, რომელიც ითვალისწინებს ტერიტორიისა ფორმასა და ზომას და ასევე ნიადაგის გარემო პირობებს.

ხელსაწყოს ცვალებადი უკანა და წინა მიმართულებით გადაადგილება განსაკუთრებით შესაფერისია დაპრესილი ნიადაგის გასაფხვიერებლად.

გაფხვიერებული ნიადაგის მოხვნისა ან მასში კვლების გაყვანის დროს იარით ნელა უკანა მიმართულებით და მოქაჩეთ კულტივატორი თქვენსკენ რათა გააკეთოთ კვალი. გაიმეორეთ იგივე ქმედება საჭიროებისამებრ, რათა გაზარდოთ კვალის სიღრმე.

შენიშვნა: ნიადაგში ჩაფლული კულტივატორი თხრის პპროცესში მოქაჩეთ თქვენსკენ ფრთხილად, მსგავსი ტექნიკა შეამცირებს თქვენზე დატვირთვას და გაგიაადილებთ მიწის დამუშავებას.

KA

გამოსროლილმა საგნებმა შეიძლება სერიოზულად დააზიანოს მომხმარებელი ან განზე მდგომი ადამიანი. პირადი ზიანის მიღების რისკის შესამცირებლად აუცილებელია შემდეგი უსაფრთხოების ზომების მიღება:

- Inspect შეამოწმეთ და გაასუფთავეთ სამუშაო არე დამალული საგნებისგან, როგორცაა მინა, ქვები, ბეტონი, ღობის მავთული, ლითონის საგნები და ა.შ., რომელიც შეიძლება გამოისროლოს ან ჩაიხვიოს ხელსაწყოს დანამ. მოერიდეთ ხელსაწყოს მაგარ და მყარ ნივთებთან კონტაქტს.
- შეამოწმეთ დანა რეგულარულად დაზიანების ნიშნებზე ან მყარ სხეულთან შეჯახების შემდეგ. არ გააგრძელოთ მუშაობა დაზიანებული დანით.
- ყოველთვის მყარად გეჭირით კულტივატორი ორივე ხელით მისით სარგებლობისას. მჭიდროდ ჩაჭიდეთ ხელი ორივე სახელურს.
- მიიტანეთ კულტივატორი სამუშაო არეში მის ჩართვამდე და დაიწყეთ მუშაობა დაბალი სიჩქარედან.

ყოველი გამოყენების წინ შეამოწმეთ დაზიანებული და/ან გაცვეთილი ნაწილების არსებობა. შეამოწმეთ დანები, დამცავი ეკრანი და რეგულირებადი წინა სახელური, შეცვალეთ ყველა ნაწილი, რომლებიც გაზზარულია, გაღუნულია, აქვს შეცვლილი ფორმა ან დაზიანებულია სხვაგვარად.

განწმინდეთ კულტივატორი ყოველი გამოყენების შემდეგ

ხელსაწყოთა ჩასართავად/გამოსართავად

იხილეთ სექცია „ელექტრული თავის ჩართვა/გამორთვა“ PH1400E ელექტრული თავის მომხმარებლის ინსტრუქციაში

KA

ექსპლუატაცია

▲ გაფრთხილება: ტექნიკური სერვისისას გამოიყენეთ მხოლოდ იდენტური სათადარიგო ნაწილები. სხვა ნებისმიერი ნაწილის გამოყენებამ შესაძლოა შექმნას საფრთხე ან გამოიწვიოს ხელსაწყო დაზიანება. ხელსაწყო უსაფრთხოდ და გამართულად მუშაობისთვის საჭიროა მისი ყველა შეკეთება და ნაწილის შეცვლა შესრულდეს კვალიფიციური სერვისის ტექნიკოსის მიერ.

▲ გაფრთხილება: აკუმულატორიანი ელექტრული ხელსაწყოების ქსელში შეერთება არ არის აუცილებელი; ისინი ყოველთვის მუშა მდგომარეობაში არიან. სერიოზული პერსონალური ზიანისგან თავის არიდების მიზნით მიიღეთ დამატებითი ზომები და გამოიჩინეთ სიფრთხილე შეკეთებისას, სერვისის ან სათბობი და სხვა ნაწილების შეცვლისას.

▲ გაფრთხილება: სერიოზული პერსონალური ზიანისგან თავის არიდების მიზნით მოხსენით აკუმულატორი ელექტრულ თავს და დაელოდეთ ყველა დანის გაჩერებას ტექნიკური სერვისის, გაწმენდის, მიმაგრების შეცვლის ან როდესაც ხელსაწყო არაა გამოყენებაში.

▲ გაფრთხილება: ყოველთვის გამოიყენეთ დამცავი ხელთათმანები როდესაც აყენებთ ან ხსნით დანას ან უტარებთ სერვისის მას. უფრთხილდით დანას და დაიცავით ხელები, რათა არ დაიშავოთ ისინი დანის პირზე.

ზოგადი მოვლის წესი

▲ გაფრთხილება: არცერთ შემთხვევაში არ მისცეთ სატორმუზო სითხეს, ბენზინს, ნავთობის ბაზაზე დამზადებულ პროდუქტებს ან სხვა ძლიერი გამხსნელებს მოვიდნენ პლასტმასის ნაწილებთან კონტაქტში. ქიმიურმა ნაერთებმა შესაძლოა დააზიანოს, გაცვიოთ და დაშალოს პლასტმასი, რამაც შეიძლება მოგაყენოთ სერიოზული პირადი ზიანი.

▲ გაფრთხილება: როდესაც წმინდავთ მისამაგრებელ კულტივატორს, არ მოათავსოთ იგი წყალში ან სხვა სითხეში. არ გაასუფთავოთ ხელსაწყო წნევით მრეცხავი მოწყობილობის საშუალებით. წყლის მასიურმა ჭავლმა შესაძლოა დააზიანოს ხელსაწყო ნაწილები.

- დაუჭირეთ ყველა ქანჩი, ჭანჭიკი და ხრახნი, რათა დარწმუნდეთ რომ ხელსაწყო უსაფრთხო სამუშაო მდგომარეობაშია.
- ხანძრის რისკის შესამცირებლად, იქონიეთ მოტორი, მაყუჩი, აკუმულატორის სათავსო მცენარეული მასალისა და ზეთისგან თავისუფალ მდგომარეობაში.
- უსაფრთხოების მიზნით გამოცვალეთ გაცვეთილი ან დაზიანებული ნაწილები.

დანის მოვლის წესი

- რეგულარულად შეხეეთ დანა ჟანგსაწინააღმდეგო ზეთით.
- თუ ცვეთის გამო რომელიმე დანა არის შესაცვლელი, შეცვალეთ ოთხივე დანა ერთდროულად ხელსაწყოს უკეთესი მუშაობისთვის.

კულტივატორის ტექნიკური სერვისი, გარდა ინსტრუქციაში მოცემული მოვლის წესებში აღწერილი პროცედურებისა, უნდა შესრულდეს ავტორიზირებული სერვისის მუშაკის მიერ.

შეცვლისთვის

კულტივატორს აქვს ოთხი დანა - ორი შიდა და ორი გარეთა დანა. კულტივატორის მართებული მუშაობისთვის, დანები უნდა იყოს დამონტაჟებული სწორი მიმართულებით. სიმბოლოები L და R დაბეჭდილია დანებზე (ნახ. H და I).

ნახ. H და I ნაჩვენებ ნაწილების აღწერა მოცემულია ქვევით:

H-1	მბრუნავი ლილვი	H-7	შტიფტი
H-2	შიდა ქურო	I-1	შტიფტი
H-3	გარეთა ქურო	I-2	გარეთა დანა დაბეჭდილი „R“ სიმბოლოთი
H-4	L სიმბოლო	I-3	შიდა დანა დაბეჭდილი „R“ სიმბოლოთი
H-5	შიდა დანა დაბეჭდილი „L“ სიმბოლოთი	I-4	R სიმბოლო
H-6	გარეთა დანა დაბეჭდილი „L“ სიმბოლოთი		

შენიშვნა: დანები, რომელთაც აქვთ კბილანები გაშვებული ორივე მიმართულებით, უნდა დამონტაჟდნენ შიდა მხარეს, გადაცემათა კოლოფთან ყველაზე ახლოს.

1. ჩაიცვით ხელთათმანები
2. მოათავსეთ შიდა დანა, დაბეჭდილი „L“ სიმბოლოთი, რომლის კბილანებიც გაშვებულია ორივე მიმართულებით, გადაცემათა კოლოფის მარცხენა მხარეს.
3. მოათავსეთ შიდა დანა, დაბეჭდილი „L“ სიმბოლოთი (კბილანებიც გაშვებულია მხოლოდ ერთი მიმართულებით) იგივე მხარეს, ისე რომ მისი ქურო ებჯინებოდეს შიდა დანას.
4. დანის მბრუნავ ლილვთან დამაგრებლად ჩასვით შტიფტი ჩამკეტ ხერელში-1. იხილეთ ნახ. J, K, L და N ცნობისათვის.
5. ამოაბრუნეთ ხელსაწყო ისე რომ, დამონტაჟებული დანა დაიდოს მიწაზე.
6. მოათავსეთ შიდა დანა, დაბეჭდილი „R“ სიმბოლოთი, რომლის კბილანებიც გაშვებულია ორივე მიმართულებით, გადაცემათა კოლოფის მარჯვენა მხარეს.

KA

7. მოთავსეთ შიდა დანა, დაბეჭდილი „R“ სიმბოლოთი (კბილანებიც გაშვებულია მხოლოდ ერთი მიმართულებით) იგივე მხარეს, ისე რომ მისი ქურო ებჯინებოდეს შიდა დანას.
8. დანის მბრუნავ ლილვთან დამაგრებლად ჩასვით შტიფტი ჩამკეტ ხერელში-1 და შემდეგ მოატრიალეთ შტიფტი 90°-ით. იხილეთ ნახ. J, K, L და N ცნობისათვის.

▲ გაფრთხილება: ხელსაწყო არ იმუშავებს ჯეროვნად ან შესაძლოა წარმოქმნას საფრთხე ოპერატორის ან გარეშე პირთა მიმართ, თუ დანები არასწორადაა დამონტაჟებული. თუ თქვენ შეამჩნევთ კულტივატორის მუშაობაში პრობლემას, შეამოწმეთ დანების მართებული მდებარეობა.

დანები, რომელთაც აქვთ კბილანები გაშვებული ორივე მიმართულებით, უნდა დამონტაჟდნენ შიდა მხარეს, გადაცემათა კოლოფთან ყველაზე ახლოს.

დასარეგულირებლად

როდესაც საჭიროა ნიდაგის მოხვნა შეზღუდულ არეში ან კვლევს შორის, შესაძლებელია კულტივატორის გამოყენება მხოლოდ ორი შიდა დანის დამონტაჟებით.

ჩაიცვით ხელთათმანები და ამოიღეთ ორივე შტიფტი, რათა მოხსნათ გარეთა დანები (ნახ. M), და შემდეგ ჩასვით შტიფტები ჩამკეტ ხერელში-2. (ნახ. N და O).

ნახ. N ნაჩვენები ნაწილების აღწერა მოცემულია ქვევით:

N-1	ჩამკეტი ხერელი-1
N-2	ჩამკეტი ხერელი-2

შენიშვნა: ძალით არ მოარგოთ ან გამოძროთ დანა ლილვიდან. თუ დანების მოხსნისას განიცდით სირთულეს, დააწვეთეთ მცირე რაოდენობის საჟღერო ზეთი ლილვზე. დანების ხელახლა დამონტაჟებისას, გაწმინდეთ და შეზეთეთ მბრუნავი ლილვი და დანები.

ხელსაწყო განმუშავების წესი

მცენარეთა ნაწილები, როგორცაა ფესვები, შესაძლოა მჭიდროდ დაეხვიოს მბრუნავ დანებს ან ჩაყვას მათ შორის. მბრუნავი დანების გასაწმენდად:

- მოხსენით აკუმულატორი.
- ჩაიცვით ხელთათმანები გასუფთავებთ დანა, დამცავი ეკრანი ან გადაცემათა კოლოფი ფესვების ნაწილებისგან, გაჭედილი მიწისა და მცენარეებისგან. საფულდაგულო გაწმენდისთვის მოხსენით დანები და დამცავი ეკრანი ხელსაწყოს და საფუძვლიანად გარეცხეთ. ნაწილების გამოცვლის დეტალური მითითებებისთვის გთხოვთ იხილოთ ამ ინსტრუქციის წინა სექცია

“დანების შეცვლა ან რეგულირება“.

- გადაწმინდეთ ხელსაწყო ზედაპირი სუფთა, ნოტიო ქსოვილით და რბილი სარეცხი საშუალებით

ხელსაწყო შენახვის წესი

- მოხსენით აკუმულატორი ხელსაწყოს.
- მოხსენით მიმაგრებული კულტივატორი ელექტრულ თავს და დააფარეთ მიმაგრების ტარის ბოლოს ტორსული ხუფი, რათა აიცილოთ თავიდან შეერთებაში ჭუჭყის მოხვედრა.
- შეინახეთ ხელსაწყო მშრალ, კარგად განიავებულ, ბავშვებისთვის მიუწვდომელ ადგილას. არ შეინახოთ ხელსაწყო სასუქის, ბენზინის და სხვა ქიმიური ნივთიერებების სიახლოვეს.

გარემოს დაცვა



არ მოახდინოთ ელექტრული მოწყობილობის, აკუმულატორის დამტენის და მისი ბატარეების მოთავსება საყოფაცხოვრებო ნაგავში!
ევროკავშირის 2012/19/EU რეგულაციის მიხედვით, ელექტრული და ელექტრონული ხელსაწყოები, რომლებიც აღარ გამოიყენება, ასევე 2006/66/EC რეგულაციის მიხედვით, დეფექტური ან გამოყენებული აკუმულატორები/ბატარეები, უნდა შეგროვდეს ცალკეულად. ელექტრული მოწყობილობების ნაგავსაყრელზე მოთავსებისას, საბიჯათო ნარჩენები შესაძლოა გაიჟონოს გრუნტის წყლებში და მოხვდეს საკვებ ჯაჭვში, რამაც შესაძლოა დააზიანოს თქვენი ჯანმრთელობა და კეთილდღეობა.

KA



გაუმართაობის

პრობლემა	მიზეზი	გადაჭრის გზა
კულტივატორი არ ირთვება.	<ul style="list-style-type: none">■ აკუმულატორი არ არის სწორად შეერთებული ელექტრულ თავზე.■ ელექტრულ თავსა და აკუმულატორს შორის არ არის ელექტრული კონტაქტი.■ აკუმულატორი დაცლილია.■ ამკეტი ბერკეტი და ტრიგერი ერთდროულად არაა აქტივირებული.	<ul style="list-style-type: none">■ დაამაგრეთ აკუმულატორი ელექტრულ თავზე.■ მოხსენით აკუმულატორი, შეამოწმეთ კონტაქტები და კვლავ მოათავსეთ იგი უკან ისე რომ, ჩაჯდეს განკუთვნილ ადგილას.■ დატენეთ აკუმულატორი მხოლოდ EGO-ს მიერ ამ მომხმარებლის ინსტრუქციაში ჩამოთვლილი დამტენი მოწყობილობით.■ დააჭირეთ ჩამკეტ ბერკეტს და გააჩერეთ ამ მდგომარეობაში, შემდეგ დააჭირეთ თითო ტრიგერს რათა ჩართოთ ხელსაწყო.

KA

პრობლემა	მიზეზი	გადაჭრის გზა
<p>კულტივატორი ჩერდება ხვნის დროს.</p>	<ul style="list-style-type: none"> ■ მოტორი გადატვირთულია. ■ აკუმულატორი ზედმეტად გაცხელებულია. ■ დანეები გაჭედილია. ■ აკუმულატორი მოხსნილია ხელსაწყოდან. ■ აკუმულატორი დაცლილია 	<ul style="list-style-type: none"> ■ ხელსაწყო განაახლებს მუშაობას როდესაც მოტორზე დატვირთვა მოიხსნება. განუწყვეტლივი მუშაობისას შეამცირეთ დატვირთვა კულტივატორზე და მოერიდეთ მიწის ღრმა დამუშავებას; ამის მაგივრად, თანდათანობით გაზარდეთ მოხვნის სიღრმე. ■ აცადეთ კულტივატორს ან აკუმულატორს გაგრილება 67°C -ის ქვევით. ■ მოხსენით აკუმულატორი ელექტრულ თავს, ხელით დაატრიალეთ დანეები წინ და უკან რათა მოაცილოთ ქვეები ან სხვა გაჭედილი საგნები დანებს ან ■ დანებსა და გადაცემათა კოლოფს შორის. ■ ხელახლა ჩასვით აკუმულატორი. ■ დატენეთ აკუმულატორი მხოლოდ EGO-ს მიერ ამ მომხმარებლის ინსტრუქციაში ჩამოთვლილი დამტენი მოწყობილობით.

გარანტია

EGO-ს გარანტიის მომსახურების წესი

გთხოვთ ეწვიოთ ვებ-გვერდს egopowerplus.com, რათა მიიღოთ EGO-ს საგარანტო

მომსახურების სრული დადგენილებები და პირობები.

KA

PROČITAJTE SVA UPUTSTVA!



PROČITAJTE PRIRUČNIK ZA RUKOVAOČA

⚠ Rezidualni rizik! Osobe sa elektronskim uređajima, poput pejsmejкера, treba da konsultuju svog lekara (svoje lekare) pre upotrebe ovog proizvoda. Rukovanje električnom opremom u neposrednoj blizini srčanog pejsmejкера moglo bi da izazove smetnje ili otkazivanje pejsmejкера.

⚠ UPOZORENJE: Da bi se osigurala sigurnost i pouzdanost, sve popravke i zamene treba da radi kvalifikovani servisni tehničar.

SIGURNOSNI SIMBOLI

Svrha sigurnosnih simbola je da vam skrenu pažnju na moguće opasnosti. Sigurnosni simboli i objašnjenja uz njih zaslužuju vašu pognu pažnju i shvatanje. Simboli upozorenja, sami po sebi, ne eliminišu nikakve opasnosti. Uputstva i upozorenja koja oni daju nisu zamena za odgovarajuće mere sprečavanja nezgoda.

⚠ UPOZORENJE: Obavezno pročitajte i shvatite sva sigurnosna uputstva u ovom Priručniku za rukovaoca, obuhvatajući i sve simbole sigurnosnih upozorenja poput „OPASNOST“, „UPOZORENJE“ i „OPREZ“ pre korišćenja ovog alata. Nepridržavanje svih dolenađenih uputstava može da dovede do strujnog udara, požara i/ili ozbiljne telesne povrede.

ZNAČENJE SIMBOLA

⚠ SIMBOL SIGURNOSNOG UPOZORENJA: Ukazuje na OPASNOST, UPOZORENJE ILI OPREZ. Može se koristiti zajedno sa drugim simbolima ili piktogramima.



⚠ UPOZORENJE: Rukovanje svakim električnim alatom može da dovede do izbacivanja stranih tela ka očima, što može da dovede do ozbiljnog oštećenja očiju. Pre započinjanja rada sa električnim alatom, uvek stavite sigurnosne naočare sa bočnim štitičnicima ili po potrebi masku za celo lice. Preporučujemo sigurnosnu masku Wide Vision za upotrebu preko naočara ili standardnih sigurnosnih naočara sa bočnim štitičnicima.

SR

SIGURNOSNA UPUTSTVA

Ova stranica prikazuje i opisuje sigurnosne simbole koji mogu da se pojave na ovom proizvodu. Pročitajte, shvatite i sledite sva uputstva na mašini pre no što pokušate da je sklopote i da rukujete njom.

	Sigurnosno upozorenje	Označava potencijalnu opasnost od telesne povrede.
	Pročitajte Priručnik za rukovaoca	Da bi smanjio rizik od povreda, korisnik pre korišćenja ovog proizvoda mora pročitati i shvatiti priručnik za rukovaoca.
	Nosite zaštitu za uši	Uvek nosite zaštitu za uši kad rukujete ovim proizvodom.
	Nosite zaštitu za oči	Uvek nosite sigurnosne naočare sa bočnim štitičnicima kad rukujete ovim proizvodom.
	Nosite zaštitne rukavice	Zaštitite ruke rukavicama kada rukujete noževima. Radne rukavice koje se ne klizu poboljšavaju hvat i štite šake.
	Nosite sigurnosnu obuću	Nosite sigurnosnu obuću koja se ne klize kada koristite ovaj uređaj.
	Odbijanje predmeta	Izbačeni predmeti se mogu odbiti i izazvati telesnu povredu ili oštetiti imovinu.
	Držite stopala podalje	Da biste smanjili rizik od posekotina, držite stopala dalje od noževa koji se okreću.
	Držite prolaznike podalje	Držite prolaznike na bezbednoj udaljenosti
	CE	Ovaj proizvod je u skladu sa primenljivim EC direktivama.
	WEEE	Otpadne električne proizvode ne bi trebalo odlagati zajedno sa otpadom iz domaćinstva. Odnosite ih u ovlašćeni pogon za reciklažu.

	Buka	Garantovan nivo jačine zvuka.
	Ne izlazite kiši	Ne koristite po kiši i ne ostavljajte napolju dok pada kiša.
IPX4	IP simbol	Zaštita od prodiranja vode - stepen 4
V	Volt	Voltaža
mm	Milimetar	Dužina ili veličina
kg	Kilogram	Težina

OPŠTA SIGURNOSNA UPOZORENJA ZA ELEKTRIČNI ALAT

▲ UPOZORENJE! Pročitajte sva sigurnosna upozorenja, uputstva, ilustracije i specifikacije priložene uz ovaj električni alat. Nepriдрžavanje svih dolenađenih uputstava može da dovede do strujnog udara, požara i/ili ozbiljne povrede.

Sačuvajte sva upozorenja i uputstva za buduću upotrebu.

BEZBEDNOST NA RADNOM PODRUČJU

- Održavajte radno područje čistim i dobro osvetljenim. Na pretrpanim ili mračnim područjima su veće šanse da dođe do nezgoda.
- Ne koristite električne alate u eksplozivnim atmosferama, kao na primer u prisustvu zapaljivih tečnosti, gasova ili prašine. Električni alat stvara varnice koje mogu zapaliti prašinu ili isparenja.
- Držite decu i prolaznike podalje dok koristite električni alat. Ako vam neko odvrat pažnju, možete izgubiti kontrolu.

ELEKTRIČNA BEZBEDNOST

- Ne izlazite električne alate kiši ili mokrim uslovima. Voda koja ude u električni alat povećava rizik od strujnog udara.

LIČNA BEZBEDNOST

- Ostanite u pripravnosti, pazite šta radite i koristite zdrav razum kada koristite električni alat. Ne koristite električni alat kada ste umorni ili pod uticajem droga, alkohola ili lekova. Trenutak nepažnje kada koristite električni alat je dovoljan da izazove ozbiljne telesne povrede.
- Uvek koristite ličnu zaštitnu opremu. Lična zaštitna oprema poput zaštite očiju, maske za prašinu, radnih

cipela koje se ne klizu, šlema i/ili zaštite sluha će, kada se koristi za odgovarajuće uslove, smanjiti telesne povrede.

- Sprečite nehotično pokretanje. Osigurajte da prekidač bude u isključenom položaju pre povezivanja na bateriju, podizanja ili nošenja alata. Nošenje električnih alata sa prstom na prekidaču ili uključivanje u utičnicu električnih alata čiji prekidač je u uključenom položaju priziva nezgode.
- Uklonite sve ključeve za podešavanje pre uključivanja električnog alata. Ključ koji ostane pričvršćen za pokretni deo električnog alata može da izazove telesnu povredu.
- Ne presežite. U svakom trenutku održavajte pravilan položaj nogu i ravnotežu. To omogućava bolju kontrolu električnog alata u neočekivanim situacijama.
- Prikladno se obucite. Ne nosite labavu odeću niti nakit. Držite kosu i odeću dalje od pokretnih delova. Labava odeća, nakit ili duga kosa mogu da se zakače pokretnim delovima.
- Ako su priloženi uređaji za povezivanje delova za izbacivanje i prikupljanje prašine, osigurajte da oni budu povezani i da se pravilno koriste. Upotreba kolektora prašine može da smanji opasnosti koje izaziva prašina.
- Ne dozvolite da zbog poznavanja koje ste stekli kroz čestu upotrebu alata postanete samozadovoljni i ignorišete principe bezbednosti alata. Nemarni postupak može da izazove ozbiljnu povredu u deliću sekunde.

UPOTREBA I ODRŽAVANJE ELEKTRIČNOG ALATA

- Ne silite električni alat. Koristite odgovarajući električni alat za ono što radite. Odgovarajući električni alat uradiće posao bolje i bezbednije onom brzinom za koju je dizajniran.
- Ne koristite električni alat ako ga prekidač ne uključuje i isključuje. Svaki električni alat koji se ne može kontrolisati prekidačem je opasan i mora se popraviti.
- Izvadite bateriju, ako je odvojiva, iz električnog alata i/ili aktivirajte eventualni uređaj za onemogućavanje baterije pre vađenja zaglavljene materijala, podešavanja, menjanja dodataka, čišćenja ili skladištenja električnog alata. Takve preventivne sigurnosne mere smanjuju rizik od nehotičnog pokretanja električnog alata.
- Skladištite isključene električne alate van domašaja dece i ne dozvolite osobama koje nisu upoznate sa ovim električnim alatom ili ovim uputstvom da rukuju električnim alatom. Električni alat je opasan u rukama nekalifikovanih korisnika.

- **Održavajte električni alat i dodatke. Proverite pravilno poravnanje ili spojeve pokretnih delova,** lomljenje delova i sva druga stanja koja mogu da utiču na rad električnog alata. Ako je oštećen, odnesite električni alat na popravku pre upotrebe. Mnoge nezgode su izazvane loše održanim električnim alatima i dodacima.
- **Održavajte alate koji seku oštrim i čistim.** Pravilno održavani alati za sečenje sa oštrim ivicama za sečenje se ređe zapetljavaju i lakše se kontrolišu.
- **Koristite električni alat, dodatke, delove itd. u skladu sa ovim uputstvom, uzimajući u obzir radne uslove i rad koji treba obaviti.** Korišćenje električnog alata za rad drugačiji od predviđenog moglo bi da dovede do opasne situacije.
- **Održavajte drške i površine koje hvatate suvim, čistim i bez ulja i masnoće.** Klizave drške i površine koje hvatate mogu dovesti do nebezbednog rukovanja i/ili gubitka kontrole nad alatom.
- **Držite kablove podalje od radnog područja alata.** Tokom rada, kablovi mogu biti skriveni od pogleda i alat ih može nehotično oštetiti.

UPOTREBA I ODRŽAVANJE ALATA NA BATERIJE

- **Punite samo punjačem koji navodi proizvođač.** Punjač koji je prikladan za jedan tip baterije može da stvori opasnost od požara kad se koristi sa drugom baterijom.
- **Koristite električni alat samo sa konkretno imenovanim baterijama.** Upotreba bilo kakvih drugih baterija može da stvori rizik od povrede i požara.
- **Kad se baterija ne koristi, držite je dalje od drugih metalnih predmeta, poput spajalica, novčića, ključeva, eksera, vijaka ili drugih malih metalnih predmeta koji mogu da naprave spoj jednog terminala sa drugim.** Kratak spoj terminala baterije može da izazove opekotine ili požar.
- **U ekstremnim uslovima može doći do curenja tečnosti iz baterije; izbegavajte kontakt sa njom. Ako dođe do nehotičnog kontakta, isperite vodom. Ako tečnost dođe u kontakt sa očima, takođe potražite i medicinsku pomoć.** Tečnost iz baterije može da izazove iritaciju ili opekotine.
- **Ne koristite bateriju ili alat koji su oštećeni ili modifikovani.** Oštećene ili modifikovane baterije mogu da ispolje nepredvidivo ponašanje, dovodeći do požara, eksplozije ili rizika od povrede.
- **Ne izlažite bateriju ili alat vatri ili previsokoj temperaturi.** Izlaganje vatri ili temperaturi iznad 130 °C može izazvati eksploziju.

SR

- **Pratite sva uputstva za punjenje i ne punite bateriju ili alat izvan temperaturnog opsega navedenog u uputstvima.** Punjenje na nepravilan način ili na temperaturama izvan navedenog opsega može da ošteti bateriju i poveća rizik od požara.

OSTALA SIGURNOSNA UPOZORENJA

Obuka

- Pažljivo pročitajte uputstvo. Upoznajte se sa kontrolama i pravilnom upotrebom mašine.
- Nikad ne dozvolite ljudima koji nisu upoznati sa ovim uputstvima ili deci da koriste mašinu. Lokalni propisi mogu da ograniče uzrast rukovaoca.
- Nikad ne radite dok su ljudi, naročito deca, ili kućni ljubimci u blizini.
- Imajte na umu da je rukovalac ili korisnik odgovoran za nezgode ili opasnosti po druge ljude ili njihovu imovinu.

Priprema

- Dok radite, uvek nosite čvrstu obuću i duge pantalone. Ne rukujte opremom dok ste bos ili nosite sandale ili papuče.
- Temeljno pregledajte površinu na kojoj ćete koristiti opremu i uklonite sve predmete koje mašina može da baci u vazduh
- Pre korišćenja, uvek vizuelno pregledajte da biste proverili da li su alati pohabani ili oštećeni. Zamenite pohabane ili oštećene elemente i zavrtnje u kompletu da biste očuvali balans.

Rukovanje

- Ne rukujte motorom u malom zatvorenom prostoru gde se mogu nagomilati opasna isparenja ugljen monoksida
- Radite samo po dnevnom svetlu ili po dobrom veštačkom svetlu
- Uvek vodite računa o položaju nogu na nagibima
- Hodajte, nikad nemojte trčati sa mašinom.
- Za rotacione mašine sa točkovima, hodajte popreko na nagibu, nikad uzbrdo i nizbrdo.
- Budite krajnje oprezni kad menjate smer na nagibima.
- Ne radite na prekomerno strmim nagibima.
- Budite krajnje oprezni kad idete unazad ili vučete mašinu prema sebi.
- Ne menjajte fabričke postavke motora i ne uklanjajte blokadu brzine motora.
- Pažljivo pokrenite motor prema uputstvu proizvođača i držite stopala dosta dalje od alata.

- Ne stavljajte šake ili stopala blizu ili ispod rotirajućih delova.
- Nikad ne podižite ili nosite mašinu dok motor radi.
- Koristite samo sa baterijama i punjačima navedenim na slici A.

RAD NA NAGIBU:

Nagibi su glavni faktor povezan sa nezgodama klizanja i padanja, koje mogu da dovedu do ozbiljne povrede. Uvek vodite računa o položaju nogu na nagibima. Rad na nagibima zahteva dodatni oprez. Ako se osećate neugodno na nagibu, nemojte raditi na njemu.

- Pazite na rupe, tragove točkova, kamenje, skrivene predmete ili ispuščenja zbog kojih se možete okliznuti ili saplesti. Visoka trava može da sakrije prepreke.

SERVIS

- Odnosite električni alat na servisiranje kod kvalifikovanog servisera koji će koristiti samo identične rezervne delove. To će osigurati da bezbednost električnog alata bude održana.
- Nikad ne servisirajte oštećene baterije. Servisiranje baterija treba da radi samo proizvođač ili ovlašćeni servis.

⚠ UPOZORENJE: Pročitajte sva sigurnosna upozorenja, uputstva, ilustracije i specifikacije priložene uz ovaj električni alat. Nepridržavanje svih dolenavedenih uputstava može da dovede do strujnog udara, požara i/ili ozbiljne povrede. Sačuvajte sva upozorenja i uputstva za buduću upotrebu.

SAČUVAJTE OVO UPUTSTVO

SPECIFIKACIJE

Širina obrađivanja	240 mm
Dubina obrađivanja	215 mm
Veličina noža	215 mm
Radna temperatura	0°C-40°C
Temperatura skladištenja	-20°C-70°C
Težina (sa štitnikom)	3,9 kg
Izmereni nivo jačine zvuka L_{WA}	87,6 dB(A) K=2,02 dB(A)
Nivo zvučnog pritiska kod uha rukovaoca L_{PA}	77,0 dB(A) K=3 dB(A)
Garantovan nivo jačine zvuka L_{WA} (izmereno prema 2000/14/EC)	90 dB(A)

Procena vibracije a_h	Prednja pomoćna drška	0,94 m/s ² K= 1,5 m/s ²
	Zadnja drška	1,24 m/s ² K= 1,5 m/s ²

- Gornji parametri su testirani i izmereni sa pogonskom glavom PH1400E.
- Deklarisana ukupna vrednost vibracije je izmerena u skladu sa standardnim metodom testiranja i može se koristiti za upoređivanje jednog alata sa drugim;
- Deklarisana ukupna vrednost vibracije može se koristiti i u preliminarnoj proceni izlaganja.

NAPOMENA: Emisija vibracija tokom stvarne upotrebe električnog alata može da se razlikuje od deklarirane vrednosti u kojoj se alat koristi. Da bi se rukovalac zaštitio, korisnik bi trebalo da nosi rukavice i štitnike za uši u stvarnim uslovima korišćenja.

POPIS PAKOVANJA

NAZIV DELA	KOLIČINA
Dodatak kultivatora	1
Štitnik (sa zavrtnjem)	1
Inbus ključ	1
Priručnik za rukovaoca	1

OPIS

UPOZNAJTE SVOJ DODATAK RUBNOG TRIMERA (slika A)

1. Krajnja kapica
2. Vratilo dodatka kultivatora
3. Menjač brzina
4. Naglavak
5. Spoljašnji noževi
6. Unutrašnji noževi
7. Osigurač
8. Štitnik
9. Inbus ključ

SKLAPANJE

⚠ UPOZORENJE: Ako su neki delovi oštećeni ili nedostaju, nemojte koristiti ovaj proizvod dok delovi ne budu zamenjeni. Korišćenje ovog proizvoda sa oštećenim ili nedostajućim delovima može dovesti do ozbiljnih telesnih povreda.

⚠ UPOZORENJE: Ne pokušavajte da modifikujete ovaj proizvod ili da pravite dodatke koji nisu preporučeni za korišćenje sa ovim proizvodom. Svaka takva promena ili modifikacija je zloupotreba i može dovesti do opasnih uslova koji mogu da dovedu do ozbiljnih telesnih povreda.

⚠ UPOZORENJE: Uvek nosite radne rukavice kada instalirate ili uklanjate nož ili vršite održavanje na nožu. Čuvajte se noža i zaštitite ruke od povrede nožem.

⚠ UPOZORENJE: Ne spajajte kultivator na pogonsku glavu dok sklapanje ne bude završeno. Nepridržavanje toga može izazvati nehotično pokretanje i ozbiljne telesne povrede.

MONTIRANJE ŠTITNIKA

⚠ UPOZORENJE: Instalirajte štitnik pre no što spojite dodatak kultivatora na pogonsku glavu.

1. Inbus ključem olabavite i skinite zavrtnj sa štitnika (slika B).
2. Podignite vratilo dodatka kultivatora i skinite krajnju kapicu sa vratila.
3. Poravnajte preoz na štitniku sa metalnim jezičkom na kraju vratila, navucite štitnik na vratilo dok rupe za vijke na štitniku i na metalnom jezičku ne budu poravnate (slika C i D).
4. Pomoću inbus ključa zategnite zavrtnj u smeru kazaljke na satu da biste čvrsto fiksirali štitnik.

Opis delova sa slike D pogledajte ispod:

D-1	Zavrtnj
-----	---------

POVEZIVANJE DODATKA KULTIVATORA NA POGONSKU GLAVU

⚠ UPOZORENJE: Nikad ne pričvršćujte niti podešavajte nijedan dodatak dok pogonska glava radi ili dok je baterija instalirana. Ako ne zaustavite motor i ne izvadite bateriju, to može da izazove ozbiljne telesne povrede.

Ovaj dodatak kultivatora je dizajniran za korišćenje sa EGO pogonskom glavom PH1400E.

1. Zaustavite motor i izvadite bateriju
2. Olabavite leptir navrtanj na spojnici pogonske glave.

3. Ako se krajnja kapica nalazi na vratilu dodatka, skinite je i sačuvajte je na bezbednom mestu za kasniju upotrebu.

Poravnajte strelicu na vratilu kultivatora sa strelicom na spojnici (slika E) i gurnite vratilo kultivatora u spojnicu dok ne čujete jasan zvuk „KLIK“ (slika F).

Opis delova sa slike E pogledajte ispod:

E-1	Dugme za otpuštanje vratila
E-2	Strelica na spojnici
E-3	Leptir navrtanj
E-4	Strelica na vratilu dodatka
E-5	Crvena linija

Opis delova sa slike F pogledajte ispod:

F-1	Crvena linija
-----	---------------

4. Blago povucite vratilo dodatka kultivatora da biste proverili da li je čvrsto zaključano u spojnici. Ako nije, pomerajte vratilo kultivatora napred i nazad u spojnici dok ne čujete jasan „KLIK“ zvuk koji ukazuje da se zakačilo.
5. Čvrsto zategnite leptir navrtanj.

⚠ UPOZORENJE: Vodite računa da leptir navrtanj na spojnici bude sasvim zategnut pre rukovanja opremom; periodično proveravajte njegovu zategnutost tokom upotrebe da biste izbegli ozbiljne telesne povrede.

UKLANJANJE DODATKA SA POGONSKE GLAVE

1. Zaustavite motor i izvadite bateriju.
2. Olabavite leptir navrtanj.
3. Dok pritiskate dugme za otpuštanje vratila, izvucite ili izvните vratilo dodatka kultivatora iz spojnice da biste ga skinuli sa pogonske glave

RUKOVANJE

⚠ UPOZORENJE: Ne dozvolite da zbog poznavanja ovog proizvoda postanete nemarni. Zapamtite da je delić sekunde nepažnje dovoljan da nanese ozbiljnu povredu.

⚠ UPOZORENJE: Uvek nosite zaštitne naočare i zaštitu za sluh. Nepridržavanje toga može dovesti do predmeta izbačenih prema očima i drugih ozbiljnih povreda.

⚠ UPOZORENJE: Ne koristite nikakve dodatke ili pribor koje nije preporučio proizvođač ovog proizvoda. Upotreba dodataka ili pribora koji nisu preporučeni može da dovede do ozbiljne telesne povrede.

PRIMENA

Možete koristiti ovaj proizvod za svrhu navedenu ispod:

- Prekopavanje zemlje u bašti za pripremu leja za sađenje.
- Plitko kultivisanje za čupanje korova ili prekopavanje zemlje oko biljaka, čime se olakšava prodiranje vazduha ili vode duboko u zemlju.
- Mešanje komposta, lišća ili drugog organskog đubriva u gornji sloj zemlje. Plitko kultivisanje će rastresti gornji sloj zemlje i integrisati dodatke hranjive materije.
- Pravljenje jaraka ili brazdi u prekopanoj zemlji.

NAPOMENA: Da biste izbegli oštećenja kultivatora ili drveća, vodite računa da noževima ne zakačite velike korenove drveća. Izbegavajte pređuboko kultivisanje jer bi ono moglo da ošteti plitke korenove nekih biljaka.

KORIŠĆENJE DODATKA KULTIVATORA SA POGONSKOM GLAVOM

⚠ UPOZORENJE: Obucite se prikladno da biste smanjili rizik od povrede dok koristite ovaj alat. Ne nosite labavu odeću ili nakit. Nosite zaštitu za oči. Nosite sigurnosne cipele. Nosite duge radne pantalone, duboke cipele i rukavice. Ne nosite kratke pantalone, sandale, papuče i ne radite bos. Držite kultivator sa jednom rukom na zadnjoj dršci a drugom rukom na prednjoj pomoćnoj dršci. Održavajte čvrst hvat sa obe ruke tokom rukovanja kultivatorom. Kultivator treba držati u udobnom položaju sa zadnjom drškom približno u visini kuka.

Održavajte hvat i održavajte ravnotežu na obe noge (slika G).

Možete da radite tako što ćete pomerati kultivator unapred ili unazad, sleva nadesno, zdesna nalevo ili kružno. Izaberite metod koji najbolje odgovara svrsi, koja će zavisiti od oblika i veličine površine koju obrađujete i od stanja zemlje.

Rad naizmenično unapred i unazad je naročito pogodan za prekopavanje nabijene zemlje.

Kad pravite jarke ili brazde, hodajte polako unazad i vucite kultivator da biste napravili brazdu. Ponavljajte po potrebi da biste napravili dublje brazde.

NAPOMENA: Ako pažljivo vučete kultivator prema sebi dok prekopava zemlju, to će smanjiti napor i olakšati obrađivanje.

Izbačeni materijal može ozbiljno da povredi rukovaoca ili prolaznike. Da biste smanjili rizik od telesnih povreda, važno je da preduzmete sledeće mere predostrožnosti:

- Pregledajte i raščistite površinu od svih skrivenih predmeta poput stakla, kamenja, stena, betona, žičane ograde, komada metala itd. koje noževi mogu odbaciti ili se u njih zapetljati. Izbegavajte kontakt sa tvrdim ili čvrstim stranim predmetima.
- Redovno i često pregledajte da li na noževima ima znakova oštećenja a naročito nakon udaranja čvrstog predmeta. Ne nastavljajte sa radom ako je nož oštećen.
- Uvek držite kultivator sa obe ruke tokom rukovanja. Koristite čvrst hvat na obe drške.
- Pomerite kultivator do površine za rad pre pokretanja i pokrenite ga na manjoj brzini.

Pre svake upotrebe proverite da li ima oštećenih i/ili pohabanih delova. Proverite noževe, štitnik i prednju pomoćnu dršku i zamenite sve delove koji su naprsili, iskrivljeni, savijeni ili na bilo koji način oštećeni.

Očistite kultivator posle svake upotrebe

ZA POKRETANJE ZAUSTAVLJANJE ALATA

Pogledajte odeljak „**POKRETANJE/ ZAUSTAVLJANJE POGONSKE GLAVE**“ u priručniku za pogonsku glavu PH1400E.

ODRŽAVANJE

⚠ UPOZORENJE: Tokom servisiranja, koristite samo identične rezervne delove. Upotreba bilo kakvih drugih delova može da dovede do opasnosti ili da izazove oštećenje proizvoda. Da bi se osigurala sigurnost i pouzdanost, sve popravke treba da radi kvalifikovani servisni tehničar.

⚠ UPOZORENJE: Alati na baterije ne moraju da budu uključeni u utičnicu; oni su stoga uvek u radnom stanju. Da biste sprečili ozbiljne telesne povrede, budite veoma oprezni i pažljivi kad radite održavanje, servisiranje ili kad menjate dodatke za sečenje ili druge dodatke.

⚠ UPOZORENJE: Da biste sprečili ozbiljne telesne povrede, izvadite bateriju iz pogonske glave i sačekajte da se svi noževi zaustave pre servisiranja, čišćenja, menjanja dodatka ili kad se proizvod ne koristi.

⚠ UPOZORENJE: Uvek nosite radne rukavice kada instalirate ili uklanjate nož ili vršite održavanje na nožu. Čuvajte se noža i zaštitite ruke od povrede nožem.

OPŠTE ODRŽAVANJE

⚠ UPOZORENJE: Nemojte ni u kom trenutku dozvoliti da kočiona tečnost, benzin, proizvodi na bazi benzina, penetraciono ulje itd. dođu u kontakt sa plastičnim delovima. Hemikalije mogu da oštete, oslabe ili unište plastiku, što može da dovede do ozbiljne telesne povrede.

⚠ UPOZORENJE: Kad čistite dodatak kultivatora, NE potapajte ga u vodu ili druge tečnosti. Ne čistite mašinu peračem pod pritiskom. Jak mlaz vode može da ošteti delove mašine.

- Držite sve navrtnje, zavrtnje i vijke zategnutim da biste osigurali da je oprema u bezbednom radnom stanju.
- Da biste smanjili opasnost od požara, održavajte motor, prigušivač, odeljak baterije bez biljnog materijala i prekomerne masnoće.
- Zamenite pohabane ili oštećene delove zbog bezbednosti.

ODRŽAVANJE NOŽA

- Redovno održavajte noževe uljem protiv korozije.
- Ako bilo koji od noževa treba zameniti zbog habanja, zamenite sva četiri noža radi najboljeg učinka.

Svo servisiranje kultivatora, osim stavki navedenih u ovom uputstvu za održavanje, treba da radi osoblje ovlašćenog servisa.

Za zamenu

Kultivator ima četiri noža – dva unutrašnja noža i dva spoljašnja noža. Za pravilan rad kultivatora, noževi moraju biti instalirani u pravilnoj orijentaciji. Simboli L (levo) i R (desno) su odštampani na noževima (slika H i I).

Opis delova sa slike H i I pogledajte ispod:

H-1	Pogonjeno vratilo	H-7	Osigurač
H-2	Unutrašnji naglavak	I-1	Osigurač
H-3	Spoljašnji naglavak	I-2	Spoljašnji nož sa odštampanim „R“ za desno
H-4	Simbol L za levo	I-3	Unutrašnji nož sa odštampanim „R“ za desno
H-5	Unutrašnji nož sa odštampanim „L“ za levo	I-4	Simbol R za desno
H-6	Spoljašnji nož sa odštampanim „L“ za levo		

SR

NAPOMENA: NOŽEVI KOJI IMAJU ZUBE OKRENUTE U OBA SMERA MORAJU SE MONTIRATI IZNUTRA, BLIŽE MENJAČU BRZINA.

1. Nosite rukavice.
2. Stavite unutrašnji nož, sa odštampanim „L“ za levo, koji ima zube okrenute u oba smera, sa leve strane menjača brzina.
3. Stavite spoljašnji nož, sa odštampanim „L“ za levo (koji ima zube okrenute samo u jednom smeru), sa iste strane i sa spoljašnjim naglavkom prema unutrašnjem nožu.
4. Da biste pričvrstili nož na pogonsko vratilo, umetnite osigurač u rupu za zaključavanje 1. Pogledajte sliku J, K, L i N radi reference.
5. Okrenite alat tako da se instalirani nož naslanja na tlo.
6. Stavite unutrašnji nož, sa odštampanim „R“ za desno, koji ima zube okrenute u oba smera, sa desne strane menjača brzina.
7. Stavite spoljašnji nož, sa odštampanim „R“ za desno (koji ima zube okrenute samo u jednom smeru), sa iste strane i sa spoljašnjim naglavkom prema unutrašnjem nožu.
8. Da biste pričvrstili nož na pogonsko vratilo, umetnite osigurač u rupu za zaključavanje 1, a zatim okrenite osigurač za 90°. Pogledajte sliku J, K, L i N radi reference.

⚠ UPOZORENJE: Jedinica neće pravilno raditi ili može da izazove opasnost po rukovaoca ili prolaznike ako su noževi nepravilno instalirani. Ako primetite problem u radu kultivisanja, proverite pravilno postavljanje noževa.

NOŽEVI KOJI IMAJU ZUBE OKRENUTE U OBA SMERA MORAJU SE MONTIRATI IZNUTRA, BLIŽE MENJAČU BRZINA.

Za podešavanje

Kad obrađujete u skučenom prostoru ili između redova, kultivator se može koristiti samo sa unutrašnjim noževima instaliranim.

Nosite rukavice i uklonite dva osigurača da biste skinuli dva spoljašnja noža (slika M), a zatim umetnite osigurače u rupu za zaključavanje 2 (slika N i O).

Opis delova sa slike N pogledajte ispod:

N-1	Rupa za zaključavanje 1
N-2	Rupa za zaključavanje 2

NAPOMENA: Ne gurajte noževe silom na pogonsko vratilo ili sa njega. Ako nađete na poteškoće kad skidate noževe, nanesite malo penetracionog ulja na vratilo. Kad ponovo instalirate noževe, vodite računa da očistite i nauljite pogonsko vratilo i noževe.

ČIŠĆENJE JEDINICE

Delovi biljaka, poput korenja, mogu da se čvrsto omotaju oko ili između rotacionih noževa tokom rada. Za čišćenje rotacionih noževa:

- Izvadite bateriju.
- Nosite rukavice. Očistite komade korenja, grumenje zemlje ili biljke sa noža, štitnika ili menjača brzina. Za temeljno čišćenje, skinite noževe i štitnik da biste ih temeljno oprali. Za detaljne korake vraćanja na mesto, pogledajte odeljak iznad

„ZAMENA ILI PODEŠAVANJE NOŽEVA“.

- Obrišite površinu alata čistom krpom navlaženom rastvorom blagog sapuna

SKLADIŠTENJE JEDINICE

- Izvadite bateriju iz alata.
- Skinite dodatak kultivatora sa pogonske glave i pokrijte vratilo dodatka krajnjom kapičicom da biste izbegli ulaženje prljavštine u spojnicu.
- Skladištite alat na suvom, dobro provetrenom mestu, van domašaja dece. Ne skladištite jedinicu na ili pored đubriva, benzina ili drugih hemikalija.

Zaštita životne sredine



Ne odlažite električnu opremu, punjače baterija i baterije/punjive baterije u kućni otpad! Prema evropskom zakonu 2012/19/EU, električna i elektronska oprema koja više nije upotrebljiva, te prema evropskom zakonu 2006/66/EC, defektne ili ispražnjene baterije, moraju se prikupljati zasebno. Ako se električni aparati odlažu na deponije ili dubrišta, opasne supstance mogu da iscure u podzemne vode i dospēju u lanac ishrane, nanoseći štetu vašem zdravlju i dobrobiti.

REŠAVANJE PROBLEMA

PROBLEM	UZROK	REŠENJE
Kultivator se ne pokreće.	<ul style="list-style-type: none"> ■ Baterija nije pravilno spojena na pogonsku glavu. ■ Nema električnog kontakta između pogonske glave i baterije. ■ Baterija je prazna. ■ Poluga za zaključavanje i okidač nisu pritisnuti istovremeno. 	<ul style="list-style-type: none"> ■ Spojite bateriju na trimer. ■ Izvadite bateriju, proverite kontakte i ponovo instalirajte bateriju tako da škljocne na svoje mesto. ■ Napunite bateriju EGO punjačem navedenim u ovom priručniku. ■ Pritisnite polugu za otključavanje i držite je, zatim pritisnite okidač da biste uključili jedinicu.
Kultivator se zaustavlja tokom obrađivanja.	<ul style="list-style-type: none"> ■ Motor je preopterećen. 	<ul style="list-style-type: none"> ■ Motor će se ponovo pokrenuti kad se opterećenje ukloni. Za neprekidan rad, smanjite opterećenje na kultivator i izbegavajte duboko obrađivanje; umesto toga postepeno povećavajte dubinu sečenja.
	<ul style="list-style-type: none"> ■ Baterija je prevruća. ■ Noževi su zaglavljani. 	<ul style="list-style-type: none"> ■ Ostavite bateriju da se hladi dok njena temperatura ne padne ispod 67 °C. ■ Izvadite bateriju iz pogonske glave, ručno okrenite noževe napred i nazad da biste uklonili kamenje ili druge prepreke između noževa ili između noža i menjača brzina.
	<ul style="list-style-type: none"> ■ Baterija se odvojila od alata ■ Baterija je prazna 	<ul style="list-style-type: none"> ■ Ponovo instalirajte bateriju. ■ Napunite bateriju EGO punjačem navedenim u ovom priručniku.

GARANCIJA

EGO POLITIKA GARANCIJE

Posetite veb-lokaciju egopowerplus.com za potpune uslove i odredbe EGO politike garancije.

PROČITAJTE UPUTSTVO U CIJELOSTI!



PROČITAJTE KORISNIČKI PRIRUČNIK.

⚠️ Preostale opasnosti! Osobe s elektroničkim uređajima poput srčanih elektrostimulatora prije upotrebe ovog proizvoda trebaju se posavjetovati sa svojim ljekarom. Rad električne opreme u neposrednoj blizini srčanih elektrostimulatora može uzrokovati smetnju ili kvar srčanog elektrostimulatora.

⚠️ UPOZORENJE! Radi osiguranja sigurnosti i pouzdanosti, sve popravke i zamjene treba obavljati kvalifikovani servisni tehničar.

SIGURNOSNI SIMBOLI

Svrha sigurnosnih simbola je skretanje pažnje na moguće opasnosti. Sigurnosni simboli i njihova objašnjenja zahtijevaju vašu potpunu pažnju i razumijevanje. Sami simboli upozorenja sami po sebi ne isključuju opasnost. Uputstva i upozorenja koja pružaju nisu zamjena za propisne mjere za prevenciju nesreća.

⚠️ UPOZORENJE! Prije upotrebe ovog alata pobrinite se da sva sigurnosna uputstva u ovom korisničkom priručniku, uključujući sve sigurnosne simbole kao što su “OPASNOST”, “UPOZORENJE” i “OPREZ” pročitate s razumijevanjem. Zanemarivanje svih uputstava navedenih u nastavku može rezultirati strujnim udarom, požarom i/ili teškim tjelesnim povredama.

ZNAČENJE SIMBOLA

⚠️ SIGURNOSNI SIMBOL UPOZORENJA: ukazuje na **OPASNOST**, **UPOZORENJE** ili **OPREZ**. Može se upotrebljavati u kombinaciji s drugim simbolima ili piktogramima.




⚠️ UPOZORENJE! Rukovanje električnim alatima može rezultirati odbacivanjem stranih predmeta u oči, što opet može izazvati teška oštećenja očiju. Prije početka rukovanja električnim alatom, uvijek nosite zatvorene zaštitne naočale ili zaštitne naočale s bočnim štitnicima, a prema potrebi i štitnik za cijelo lice. Preporučujemo nošenje sigurnosne maske proizvođača Wide Vision preko naočala, ili nošenje standardnih zaštitnih naočala s bočnim štitnicima.

SIGURNOSNA UPUTSTVA

Na ovoj stranici slikovno su prikazani i objašnjeni sigurnosni simboli koji se mogu pojaviti na ovom proizvodu. Prije pokušaja sastavljanja i rukovanja, s razumijevanjem pročitajte sva uputstva na proizvodu i pridržavajte ih se.

	Simbol upozorenja	Ukazuje na potencijalnu opasnost od tjelesnih povreda.
	Pročitajte korisnički priručnik.	Radi smanjenja opasnosti od povreda, prije upotrebe ovog proizvoda korisnik treba s razumijevanjem pročitati ovaj korisnički priručnik.
	Nosite zaštitu za sluh.	Kada rukujete ovim proizvodom, uvijek nosite zaštitu za sluh.
	Nosite zaštitu za oči.	Kada upotrebljavate ovaj proizvod, uvijek nosite zatvorene zaštitne naočale ili zaštitne naočale s bočnim štitnicima.
	Nosite zaštitne rukavice.	Kada rukujete noževima zaštitite ruke rukavicama. Neklizajuće rukavice za teške uslove rada poboljšavaju zahvat i štite ruke.
	Nosite sigurnosnu obuću.	Nosite sigurnosnu obuću. Kada upotrebljavate ovu opremu nosite neklizajuću sigurnosnu obuću.
	Povratni udar	Odbačeni predmeti mogu odskočiti i rezultirati tjelesnim povredama ili materijalnom štetom.
	Stopala držite na udaljenosti.	Radi smanjenja opasnosti od posjekotina, držite stopala podalje od rotirajućih noževa.
	Posmatrače držite na udaljenosti	Držite druge prisutne osobe na sigurnoj udaljenosti
	Oznaka CE	Ovaj proizvod je u skladu s primjenjivim Direktivama EU.

	WEEE	Otpadni električni proizvodi ne smiju se odlagati s otpadom iz domaćinstva. Odnosite ih u ovlašteni centar za reciklažu.
	Buka	Zagarantovani nivo zvučne snage.
	Ne izlažite uređaj kiši.	Uređaj nemojte upotrebljavati na kiši ili nemojte ga ostavljati na otvorenom kada pada kiša.
IPX4	IP simbol	Zaštita od prodiranja vode, stepen 4
V	Volt	Napon
mm	Milimetar	Dužina ili dimenzija
kg	Kilogram	Masa

OPĆA SIGURNOSNA UPOZORENJA ZA ELEKTRIČNE ALATE

⚠ UPOZORENJE! Pročitajte sva sigurnosna upozorenja, uputstva, sve ilustracije i specifikacije isporučene s ovim električnim alatom. Zanemarivanje svih uputstava navedenih u nastavku može rezultirati strujnim udarom, požarom i/ili teškim povredama.

Sačuvajte sva upozorenja i uputstva za buduće potrebe.

SIGURNOST RADNOG PODRUČJA

- **Radno područje održavajte čistim i dobro osvijetljenim.** Pretrpana ili mračna područja izazivaju nesreće.
- **Električni alat nemojte upotrebljavati u eksplozivnim atmosferama, kao na primjer u prisutnosti zapaljivih tekućina, plinova ili prašine.** Električni alat stvara iskre koje mogu zapaliti prašinu ili isparenja.
- **Djecu i posmatrače držite podalje tokom rada s električnim alatom.** Ometanja mogu rezultirati gubitkom kontrole nad alatom.

ELEKTRIČNA SIGURNOST

- **Električni alat nemojte izlagati kiši ili mokrim uslovima.** Prodiranje vode u električni alat povećat će rizik od strujnog udara.

LIČNA SIGURNOST

- **Budite oprezni, gledajte šta radite i koristite se uobičajenim osjećajem kada radite s električnim alatom. Nemojte upotrebljavati električni alat kada ste umorni ili pod utjecajem opojnih sredstava, alkohola ili lijekova.** Trenutak nepažnje tokom rada s električnim alatima može rezultirati teškim tjelesnim povredama.
- **Uvijek upotrebljavajte ličnu zaštitnu opremu.** Lična zaštitna oprema poput zaštite za oči, maske za zaštitu od prašine, neklizajuće sigurnosne obuće, zaštitne kacige i/ili zaštite za sluh upotrijebljena za odgovarajuće uslove smanjit će tjelesne povrede.
- **Spriječite nenamjerno pokretanje. Prije spajanja na bateriju, uzimanja ili nošenja alata uvjerite se da se prekidač nalazi u isključenom položaju.** Nošenje električnih alata s prstom na prekidaču ili napajanje električnih alata koji imaju uključen prekidač izaziva nesreće.
- **Prije uključivanja električnog alata uklonite sve ključeve za podešavanje ili ključeve.** Ključ ili ključ za podešavanje ostavljen pričvršćen na pokretni dio električnog alata može rezultirati tjelesnim povredama.
- **Nemojte se previše naginjati prema naprijed. Cijelo vrijeme održavajte propisno držanje i ravnotežu.** To će omogućiti bolju kontrolu nad električnim alatom u neočekivanim situacijama.
- **Obucite se prikladno. Nemojte nositi široku odjeću ili nakit. Kosu i odjeću uvijek držite podalje od dijelova koji se kreću.** Dijelovi koji se kreću mogu zahvatiti široku odjeću, nakit ili dugu kosu.
- **Ako su uređaji namijenjeni za spajanje sistema za izvlačenje i sakupljanje prašine, pobrinite se da se propisno spoje i upotrebljavaju.** Upotrebom uređaja za sakupljanje prašine mogu se smanjiti opasnosti koje se odnose na prašinu.
- **Nemojte dozvoliti da vas poznavanje alata stečeno čestom upotrebom učini samodopadnim pa da ignorirate sigurnosne principe za alat.** Nemame radnje u djeliću sekunde mogu rezultirati teškim povredama.

UPOTREBA I NJEGA ELEKTRIČNOG ALATA

- **Nemojte preopterećavati električni alat. Upotrebljavajte ispravan električni alat za svoju primjenu.** Ispravan električni alat bolje će i sigurnije odraditi posao pri brzini za koju je predviđen.
- **Nemojte upotrebljavati električni alat ako ga prekidač ne uključuje i isključuje.** Svaki električni alat koji se ne može kontrolisati prekidačem opasan je i potrebno ga je popraviti.

- Ako je odvojiv, komplet baterija izvadite iz električnog alata i/ili aktivirajte uređaj za deaktivaciju baterije prije čišćenja zaglavljenog materijala, obavljanja radova podešavanja, zamjene pribora, čišćenja ili skladištenja električnog alata. Takve preventivne sigurnosne mjere smanjuju rizik od iznenadnog pokretanja električnog alata.
- Nekorišteni električni alat skladištite izvan dohvata djece i nemojte dozvoliti da osobe koje ne poznaju električni alat ili ova uputstva rade s električnim alatom. Električni alati opasni su u rukama neobučeni korisnika.
- Održavajte električne alate i dodatnu opremu. Provjerite jesu li pokretni dijelovi centrirani ili spojeni, ima li polomljenih dijelova i postoji li stanje koje može uticati na rad električnog alata. Ako je oštećen, električni alat dajte na popravak prije upotrebe. Loše održavani električni alati i pribor uzrok su mnogih nesreća.
- Rezne alate održavajte oštroma i čistima. Propisno održavani rezni alati s oštrim reznim rubovima vjerovatno se neće spajati i lakši su za upravljanje.
- Električni alat, dodatnu opremu i alatne nastavke, itd., upotrebljavajte u skladu s ovim uputstvima, uzimajući u obzir radne uslove i posao koji je potrebno obaviti. Upotreba električnog alata za radove drukčija od namjenske može rezultirati opasnim situacijama.
- Rukohvate i površine rukohvata održavajte suhim, čistim i očišćenim od ulja i masti. Skliski rukohvati i skliske površine rukohvata mogu uzrokovati nesigurno rukovanje i/ili gubitak kontrole nad alatom.
- Držite kabele podalje od radnog područja alata. Tokom rada kabeli mogu biti zaklonjeni od pogleda i mogu se nehotično oštetiti alatom.

UPOTREBA I NJEGA BATERIJSKOG ALATA

- Punjenje obavljajte samo s punjačem kojeg je naveo proizvođač. Punjač koji je prikladan za jedan tip kompleta baterija može stvoriti rizik od požara ako ga se upotrebljava s drugim kompletom baterija.
- Električni alat upotrebljavajte samo s izričito navedenim kompletima baterija. Upotreba drugih kompleta baterija može stvoriti rizik od povreda i požara.
- Kada se komplet baterija ne upotrebljava, držite ga podalje od drugih metalnih predmeta poput spajalica za papir, kovanica, ključeva, eksera, vijaka ili drugih malih metalnih predmeta koji mogu međusobno spojiti kontakte. Kratko spajanje baterijskih kontakata može uzrokovati opekotine ili požar.
- U slučaju pogrešne upotrebe, baterija može izbaciti tekućinu; izbjegavajte kontakt. Ako slučajno dođe do kontakta, odnosno mjesta isperite vodom. Ako tekućina dođe u kontakt s očima, dodatno potražite

pomoć ljekara. Tekućina koju izbací baterija može uzrokovati nadražaj kože ili opekotine.

- Nemojte upotrebljavati oštećen ili modifikovan komplet baterija ili alat. Oštećene ili modifikovane baterije mogu pokazati nepredvidivo ponašanje koje može rezultirati požarom, eksplozijom ili opasnošću od povreda.
- Komplet baterija ili alat nemojte izlagati vatri ili previsokoj temperaturi. Izlaganje vatri ili temperaturi višoj od 130 °C može uzrokovati eksploziju.
- Pridržavajte se svih uputstava za punjenje i komplet baterija ili alat nemojte puniti izvan okvira opsega temperature navedenog u uputstvima. Nepropisno punjenje ili punjenje pri temperaturama izvan okvira određenog opsega može oštetiti bateriju i povećati opasnost od požara.

OSTALA SIGURNOSNA UPOZORENJA

Obuka

- Pažljivo pročitajte uputstvo. Upoznajte se s upravljačkim elementima i propisnom upotrebom uređaja.
- Nemojte nikada dozvoliti da osobe koje nisu pročitale ova uputstva ili djeca upotrebljavaju uređaj. Lokalni propisi mogu ograničavati starosnu dob rukovaoca.
- Uređaj nemojte nikada upotrebljavati kada se u blizini nalaze osobe, a posebno djeca ili kućni ljubimci.
- Napominjemo da je rukovalac ili korisnik odgovoran za nesreće ili opasnosti za druge osobe ili njihovu imovinu.

Priprema

- Tokom rada uvijek nosite čvrstu obuću i dugačke hlače. Opremu nemojte upotrebljavati kada ste bosí ili kada nosite otvorenu obuću.
- Detaljno pregledajte područje na kojem ćete upotrebljavati opremu i uklonite sve predmete koje uređaj može odbaciti.
- Prije upotrebe uvijek vizuelno provjerite da li je alat istrošen ili oštećen. Zamijenite istrošene ili oštećene elemente i vijke u kompletima radi održavanja ravnoteže.

Rad

- Nemojte pogoniti motor u ograničenom prostoru gdje se mogu akumulirati opasna isparenja ugljen-monoksida.
- Radite samo na dnevnom svjetlu ili pri dobrom umjetnom osvjetljenju.
- Uvijek osigurajte dobro uporište na nagibima.
- Hodajte, nemojte nikada trčati s uređajem.
- Ako upotrebljavate rotacione uređaje s točkovima, na nagibima radite poprečno, nikada gore-dolje.
- Budite vrlo oprezni kada mijenjate smjer na nagibima.

- Nemojte raditi na vrlo strmim nagibima.
- Budite vrlo oprezni kada uređaj okrećete ili povlačite prema sebi.
- Nemojte mijenjati postavke regulatora broja okretaja motora ili nemojte pogoniti motor pri prevellikom broju okretaja.
- Pažljivo pokrenite motor u skladu s uputstvima koje je priložio proizvođač i sa stopalima dobro odmaknutim od alata.
- Ne stavljajte šake ili stopala u blizini ili ispod rotirajućih dijelova.
- Nemojte nikada podizati ili nositi uređaj dok motor radi.
- Upotrebljavajte samo s kompletima baterija i punjačima koji su navedeni na sl. A.

RAD NA NAGIBU

Nagibi su glavni faktor za kojeg su vezane nezgode uslijed sklizavanja i padova koji mogu rezultirati teškim povredama. Uvijek osigurajte dobro uporište na nagibima. Rad na nagibima zahtijeva dodatni oprez. Ako se na nagibu osjećate nesigurno, nemojte raditi na njemu.

- Pazite na rupe, brazde, kamenje, skrivene predmete ili neravnine zbog kojih se možete okliznuti ili spotaknuti. Visoka trava može skrivati prepreke.

SERVISIRANJE

- **Servisiranje električnog alata prepusti kvalifikovanom osoblju za popravak koje upotrebljava samo identične zamjenske dijelove.** Time će se osigurati održavanje sigurnosti električnog alata.
- **Nemojte nikada servisirati oštećene komplete baterija.** Servisiranje kompleta baterija smiju obavljati samo proizvođač ili ovlašteni serviseri.

⚠ UPOZORENJE! Pročitajte sva sigurnosna upozorenja, uputstva, sve ilustracije i specifikacije isporučene s ovim električnim alatom. Zanemarivanje svih uputstava navedenih u nastavku može rezultirati strujnim udarom, požarom i/ili teškim povredama. Sačuvajte sva upozorenja i uputstva za buduće potrebe.

SACUVAJTE OVA UPUTSTVA!

TEHNIČKI PODACI

Širina obrade tla	240 mm
Dubina obrade tla	215 mm
Dimenzije noža	215 mm

BS

Radna temperatura	0°C-40°C	
Temperatura skladištenja	-20°C-70°C	
Masa (uključujući štitičnik)	3,9 kg	
Izmjereni nivo zvučne snage L_{WA}	87,6 dB(A) K=2,02 dB(A)	
Nivo zvučnog pritiska kod uha rukovaoca L_{PA}	77,0 dB(A) K=3 dB(A)	
Zagarantovani nivo zvučne snage L_{WA} (izmjereno u skladu s Direktivom 2000/14/EZ)	90 dB(A)	
Procjena vibracija a_n	Prednji pomoćni rukohvat	0,94 m/s ² K= 1,5 m/s ²
	Stražnji rukohvat	1,24 m/s ² K= 1,5 m/s ²

- Gore navedeni parametri ispitani su i izmjereni za uređaj opremljen pogonskom jedinicom PH1400E.
- Deklarisane ukupne vrijednosti vibracija izmjerene su u skladu sa standardnom metodom ispitivanja i mogu se primjenjivati za poređenje jednog alata s drugim.
- Deklarisane ukupne vrijednosti vibracija mogu se primjenjivati i u preliminarnoj procjeni izloženosti.

NAPOMENA! Emisija vibracija tokom aktualne upotrebe električnog alata može se razlikovati od deklarirane vrijednosti u kojoj se alat upotrebljavao; Korisnik radi zaštite treba nositi rukavice i štitičnike za uši u aktualnim uslovima upotrebe.

LISTA PAKOVANJA

NAZIV DIJELA	KOLIČINA
Priključak kultivatora	1
Štitičnik (s vijkom)	1
Allen ključ	1
Korisnički priručnik	1

OPIS

UPOZNAJTE SVOJ PRIKLJUČAK KULTIVATORA (sl. A)

1. Krajnja kapica
2. Drška priključka kultivatora
3. Kućište prijenosnika
4. Navlaka

5. Vanjski noževi
6. Unutrašnji noževi
7. Utična osovinnica
8. Štitnik
9. Allen ključ

SASTAVLJANJE

⚠ UPOZORENJE! Ako je bilo koji dio oštećen ili ako nedostaje, nemojte upotrebljavati ovaj proizvod dok ne zamijenite dijelove. Upotreba ovog proizvoda oštećenih dijelova ili dijelova koji nedostaju može rezultirati teškim tjelesnim povredama.

⚠ UPOZORENJE! Nemojte pokušavati da modifikujete ovaj proizvod ili da pravite pribor koji nije preporučen za upotrebu s ovim proizvodom. Sve takve izmjene ili modifikacije predstavljaju nepropisnu potrebu i mogu rezultirati opasnim stanjima koja mogu dovesti do mogućih teških tjelesnih povreda.

⚠ UPOZORENJE! Kada postavljate ili uklanjate nož ili kada obavljate radove održavanja na nožu uvijek nosite rukavice za teške uslove rada. Budite oprezni s nožem i zaštitite ruke od povreda nožem.

⚠ UPOZORENJE! Nemojte priključivati kultivator na pogonsku jedinicu dok ne završite montažu. Nepostupanje u skladu s tim može rezultirati iznenadnim pokretanjem i mogućim teškim tjelesnim povredama.

POSTAVLJANJE ŠTITNIKA

⚠ UPOZORENJE! Štitnik postavite prije priključivanja priključka kultivatora na pogonsku jedinicu.

1. Otpustite i izvadite vijak iz štitnika pomoću Allen ključa.
2. Podignite dršku priključka kultivatora i skinite krajnju kapicu s drške.
3. Poravnajte utor u štitniku s metalnim jezičkom na kraju drške, provucite štitnik kroz dršku tako da provrti za vijke u štitniku i u metalnom jezičku budu poravnate (sl. C i D).
4. Za pritezanje vijka u smjeru kretanja kazaljki na satu radi pričvršćivanja štitnika upotrebljavajte Allen ključ.

Opis dijelova na sl. D pogledajte u nastavku:

D-1	Vijak
-----	-------

PRIKLJUČIVANJE PRIKLJUČKA KULTIVATORA NA POGONSKU JEDINICU

⚠ UPOZORENJE! Priključak nemojte nikada pričvršćivati ili podešavati dok pogonska jedinica radi ili kada je baterija postavljena. Zanemarivanje zaustavljanja motora i vađenja baterije može rezultirati teškim tjelesnim povredama.

Ovaj priključak kultivatora predviđen je za upotrebu s pogonskom jedinicom PH1400E proizvođača EGO.

1. Zaustavite motor i izvadite komplet baterija.
2. Otpustite krilnu maticu na spojki pogonske jedinice.
3. Ako je krajnja kapica na dršci priključka, skinite je i čuvajte na sigurnom mjestu za kasniju upotrebu.

Poravnajte strelicu na dršci kultivatora sa strelicom na spojki (sl. E) i gurajte kultivator u spojku dok ne začujete zvuk "KLIKANJA" (sl. F).

Opis dijelova na sl. E pogledajte u nastavku:

E-1	Dugme za otpuštanje drške
E-2	Strelica na spojki
E-3	Krilna matica
E-4	Strelica na dršci priključka
E-5	Crvena linija

Opis dijelova na sl. F pogledajte u nastavku:

F-1	Crvena linija
-----	---------------

4. Polako povucite dršku priključka kultivatora kako biste potvrdili da je dobro ulegla u spojku. Ako nije, pomjerite dršku kultivatora nazad i naprijed u spojnicu dok ne začujete jasan zvuk "KLIKANJA" koji ukazuje da je drška nalegla.
 5. Dobro pritegnite krilnu maticu.
- ⚠ UPOZORENJE!** Prije rukovanja opremom uvjerite se da je krilna matica na spojki potpuno pritegnuta; tokom upotrebe povremeno provjeravajte pritegnutost radi izbjegavanja teških tjelesnih povreda.

SKIDANJE PRIKLJUČKA S POGONSKE JEDINICE

1. Zaustavite motor i izvadite komplet baterija.
2. Otpustite krilnu maticu.
3. S pritisnutim dugmetom za otpuštanje drške, povucite ili zakrenite dršku priključka kultivatora iz spojke da je izvadite iz pogonske jedinice.

RAD

⚠ UPOZORENJE! Nemojte dozvoliti da vas poznavanje ovog proizvoda učini nepažljivim. Imajte na umu da je za nanošenje teških povreda dovoljan samo djelić sekunde nepažnje.

⚠ UPOZORENJE! Uvijek nosite zaštitu za oči, zajedno sa zaštitom za sluh. Nepostupanje u skladu s tim može rezultirati odbacivanjem predmeta u oči i drugim mogućim teškim povredama.

⚠ UPOZORENJE! Nemojte upotrebljavati priključke ili pribor koje nije preporučio proizvođač ovog proizvoda. Upotreba nepreporučenih priključaka ili pribora može rezultirati teškim tjelesnim povredama.

PRIMJENE

Ovaj proizvod možete upotrebljavati za svrhe navedene u nastavku:

- Usitnjavanje tla za pripremu gredica za ponovno sađenje.
- Plitko kultiviranje radi uklanjanja korova ili omekšavanja tla oko biljaka, što olakšava prodiranje zraka ili vode duboko u tlo.
- Površinska priprema tla kompostom, lišćem ili drugim organskim gnojivima. Plitko kultiviranje omekšat će gornji sloj tla i integrirati dodane hranjive tvari.
- Prosijecanje ili oranje u omekšalom tlu.

NAPOMENA! Radi izbjegavanja oštećenja kultivatora ili stabala, vodite računa da noževi ne zahvate veliko korijenje stabla. Izbjegavajte pređuboko kultiviranje jer to može uzrokovati oštećenje plitkog korijenja nekih biljaka.

UPOTREBA PRIKLJUČKA KULTIVATORA S POGONSKOM JEDINICOM

⚠ UPOZORENJE! Obucite se propisno kako biste smanjili rizik od povreda tokom rukovanja alatom. Nemojte nositi široku odjeću ili nakit. Nosite zaštitu za oči. Nosite sigurnosnu obuću. Nosite robusne duge hlače, čizme i rukavice. Nemojte nositi kratke hlače, sandale ili biti bosonogi. Jednom rukom držite kultivator na stražnjem rukohvatu, a drugom rukom na prednjem pomoćnom rukohvatu. Tokom rukovanja kultivatorom rukohvate čvrsto primite objema rukama. Kultivator je potrebno držati u ugodnom položaju sa stražnjim rukohvatom u visini kuka.

Održavajte zahvat i ravnotežu na oba stopala (sl. G).

Možete raditi pomjeranjem kultivatora naprijed ili nazad, slijeva nadesno, zdesna nalijevo ili u kružnim pokretima. Odaberite najbolju metodu rada koja odgovara namjeni, a što će zavistiti od oblika i veličine područja i stanja tla.

Rad uz naizmjenično kretanje nazad i naprijed posebno je prikladan za omekšavanje zbijenog tla.

Prilikom prosijecanja ili oranja polako hodajte unazad i povlačenjem kultivatora napravite brazdu. Postupak prema potrebi ponavljajte dok ne napravite dublje brazde.

NAPOMENA! Pažljivim povlačenjem kultivatora prema sebi tokom prodiranja u tlo smanjit ćete napor i olakšati obradu tla.

Odbačeni materijali mogu teško povrijediti rukovoaca ili prolaznike. Radi smanjenja rizika od tjelesnih povreda, neophodno je poduzeti sljedeće mjere opreza:

- Pregledajte i očistite područje od skrivenih predmeta kao što su staklo, kamenje, stijene, beton, žičana ograda, komadi metala, itd., koje alat može odbaciti ili koji se mogu zaglaviti u noževima. Izbjegavajte kontakt s tvrdim ili krutim stranij predmetima.
- Noževe redovno i često pregledavajte na postojanje znakova oštećenja ili u slučaju udara o tvrdi predmet. Nemojte nastaviti raditi s oštećenim nožem.
- Tokom rada kultivator uvijek držite objema rukama. Čvrsto primite oba rukohvata.
- Pomjerite kultivator u radno područje prije pokretanja i pokrenite ga pri niskoj brzini.

Prije svake upotrebe provjerite ima li oštećenih i/ili istrošenih dijelova. Provjerite noževe, štitnik i prednji pomoćni rukohvat i zamijenite dijelove koji su napukli, deformisani, savijeni ili oštećeni na bilo koji način.

Očistite kultivator nakon svake upotrebe.

POKRETANJE/ZAUSTAVLJANJE ALATA

Pogledajte poglavlje "POKRETANJE/ZAUSTAVLJANJE POGONSKE JEDINICE" u korisničkom priručniku pogonske jedinice PH1400E.

ODRŽAVANJE

⚠ UPOZORENJE! Kada obavljate radove servisiranja, upotrebljavajte samo identične zamjenske dijelove. Upotreba drugih dijelova može uzrokovati opasnost ili oštećenje proizvoda. Radi osiguranja sigurnosti i pouzdanosti, sve popravke treba obavljati kvalifikovani servisni tehničar.

⚠ UPOZORENJE! Baterijske alate nije potrebno uključivati u električnu utičnicu, stoga su uvijek u radnom stanju. Radi sprečavanja teških tjelesnih povreda poduzmite dodatne mjere opreza i budite oprezni kada obavljate radove održavanja, servisiranja ili zamjene reznog priključka ili drugih priključaka.

⚠ UPOZORENJE! Radi sprečavanja teških tjelesnih povreda, prije servisiranja, čišćenja, promjene dodatnih priključaka ili kada se proizvod ne upotrebljava, izvadite komplet baterija iz pogonske jedinice i pričekajte da se svi noževi zaustave.

⚠ UPOZORENJE! Kada postavljate ili uklanjate nož ili kada obavljate radove održavanja na nožu uvijek nosite rukavice za teške uslove rada. Budite oprezni s nožem i zaštitite ruke od povreda nožem.

OSNOVNO ODRŽAVANJE

⚠ UPOZORENJE! Nemojte nikada dozvoliti da koćione tekućine, benzin, proizvodi na bazi nafte, penetrirajuća ulja i sl., dođu u kontakt s plastičnim dijelovima. Hemikalije mogu oštetiti, oslabiti ili uništiti plastiku što može rezultirati teškim tjelesnim povredama.

⚠ UPOZORENJE! Kada čistite priključak kultivatora, NEMOJTE ga uranjati u vodu ili druge tekućine. Nemojte čistiti uređaj peračem pod pritiskom. Jak mlaz vode može oštetiti dijelove uređaja.

- Sve matice, svornjake i vijke održavajte pritegnutima radi osiguravanja sigurnog radnog stanja opreme.
- Radi smanjenja opasnosti od požara, motor, prigušivač, pretinac za baterije održavajte čistim od biljnog materijala i prevelike količine masti.
- Istrošene ili oštećene dijelove zamijenite radi sigurnosti.

ODRŽAVANJE NOŽA

- Redovno održavajte noževe uljem za zaštitu od hrde.
- Ako je noževe potrebno zamijeniti zbog istrošenosti, zamijenite sva četiri noža radi najboljeg radnog učinka.

Sve popravke kultivatora drukčije od navedenih u ovim uputstvima za održavanje treba obavljati ovlašteno servisno osoblje.

Zamjena

Kultivator je opremljen četirima noževima – dvama unutrašnjim i dvama vanjskim noževima. Za ispravan rad kultivatora noževe je potrebno postaviti na ispravnom mjestu. Na noževima su otisnuti simboli L (lijevo) i R (desno) (sl. H i I).

Opis dijelova na sl. H i I pogledajte u nastavku:

H-1	Pogonjena osovina	H-7	Utična osovina
H-2	Unutrašnji naglavak	I-1	Utična osovina
H-3	Vanjski naglavak	I-2	Vanjski nož s oznakom "R"

H-4	Simbol L (lijevo)	I-3	Unutrašnji nož s oznakom "R"
H-5	Unutrašnji nož s oznakom "L"	I-4	Simbol R
H-6	Vanjski nož s oznakom "L"		

NAPOMENA! NOŽEVE SA ZUPCIMA OKRENTIMA U OBA SMJERA POTREBNO JE MONTIRATI NA UNUTRAŠNJU STRANU, NAJBЛИŽE KUĆIŠTU PRIJENOSNIKA.

1. Nosite rukavice.
2. Unutrašnji nož s oznakom „L“ i zupcima okrenutima u oba smjera postavite lijevo od kućišta prijenosnika.
3. Vanjski nož s oznakom „L“ (zupci okrenuti samo u jednom smjeru) postavite na istu stranu, s vanjskim naglavkom uz unutrašnji nož.
4. Za pričvršćivanje noža na osovinu umetnite utičnu osovinicu u otvor za blokadu-1. Za referencu pogledajte sl. J, K, L i N.
5. Okrenite alat s postavljenim nožem položenim na tlo.
6. Unutrašnji nož s oznakom „R“ i zupcima okrenutima u oba smjera postavite desno od kućišta prijenosnika.
7. Vanjski nož s oznakom „R“ (zupci okrenuti samo u jednom smjeru) postavite na istu stranu, s vanjskim naglavkom uz unutrašnji nož.
8. Za pričvršćivanje noža na osovinu umetnite utičnu osovinicu u otvor za blokadu-1, a zatim je okrenite za 90°. Za referencu pogledajte sl. J, K, L i N.

⚠ UPOZORENJE! Ako su noževi nepropisno postavljeni, jedinica neće propisno raditi ili jedinica može uzrokovati opasnost za rukovaoca ili prolaznike. Ako primijetite problem pri radovima kultiviranja jedinice, provjerite jesu li noževi propisno pozicionirani.

NOŽEVE SA ZUPCIMA OKRENTIMA U OBA SMJERA POTREBNO JE MONTIRATI NA UNUTRAŠNJU STRANU, NAJBЛИŽE KUĆIŠTU PRIJENOSNIKA.

Podešavanje

Prilikom obrade tla u ograničenom području ili između redova, kultivator ćete moći upotrebljavati samo s postavljenim unutrašnjim noževima.

Nosite rukavice i uklonite dvije utične osovinice radi skidanja dvaju vanjskih noževa (sl. M) i utične osovinice zatim umetnite u otvor za blokadu-2 (sl. N i O).

Opis dijelova na sl. N pogledajte u nastavku:

N-1	Otvor za blokadu-1
N-2	Otvor za blokadu-2

NAPOMENA! Nemojte pokušavati postavljati ili skidati noževe s osovine uz primjenu sile. Ako imate poteškoća prilikom skidanja noževa, na osovinu nanesite malo penetrirajućeg ulja. Prilikom ponovnog postavljanja noževa pobrinite se da očistite i podmazete osovinu i noževe.

ČIŠĆENJE JEDINICE

Dijelovi biljaka kao što je korijenje mogu se čvrsto omotati oko ili između rotirajućih noževa tokom rada. Čišćenje rotirajućih noževa:

- Izvadite bateriju.
- Nosite rukavice. Očistite komade korijenja, naslage tla ili biljaka s noža, štitnika ili kućišta prijenosnika. Za detaljno čišćenje potrebno je skinuti noževe i štitnik i temeljito ih isprati. Za više informacija o postupku zamjene pogledajte prethodno poglavlje

“ZAMJENA ILI PODEŠAVANJE NOŽEVA”.

- Površinu obrišite čistom krpom navlaženom u blagoj sapunici.

SKLADIŠTENJE JEDINICE

- Izvadite komplet baterija iz alata.
- Skinite priključak kultivatora s pogonske jedinice i dršku priključka prekrijte krajnjom kapicom radi izbjegavanja prodiranja nečistoće u spojku.
- Alat skladištite na suhom, dobro prozračenom mjestu izvan dohvata djece. Jedinicu nemojte skladištiti na gnojivima, benzinu ili drugim hemikalijama ili u njihovoj blizini.

Zaštita životne sredine



Električnu opremu, punjač baterije i baterije/punjive baterije ne odlažite u kućni otpad! Evropska Direktiva 2012/19/EU o električnoj i elektroničkoj opremi koja više nije iskoristiva i Evropska Direktiva 2006/66/EZ zahtijevaju da se neispravni ili iskoristeni kompleti baterija/baterije moraju sakupljati zasebno. Ako se električni uređaji odlažu na odlagališta otpada ili deponije, opasne tvari mogu iscurjeti u podzemne vode i dospjeti u lanac ishrane i negativno uticati na zdravlje i dobrobit ljudi.

OTKLANJANJE PROBLEMA

PROBLEM	UZROK	RJEŠENJE
Kultivator se ne pokreće.	<ul style="list-style-type: none"> ■ Komplet baterija nije propisno pričvršćen na pogonsku jedinicu. ■ Nema električnog kontakta između pogonske jedinice i kompleta baterija. ■ Komplet baterija je ispražnjen. ■ Ručica za deblokadu i okidač ne pritišu se istovremeno. 	<ul style="list-style-type: none"> ■ Pričvrstite komplet baterija na glavu alata. ■ Izvadite bateriju, provjerite kontakte i ponovo stavite komplet baterija tako da zvučno ulegne. ■ Komplet baterija punite punjačem proizvođača EGO koji je naveden u ovom priručniku. ■ Pritisnite ručicu za deblokadu i držite je pritisnutom, a zatim pritisnite okidač za uključivanje jedinice.
Kultivator se zaustavlja tokom postupka obrade tla.	<ul style="list-style-type: none"> ■ Motor je preopterećen. ■ Komplet baterija je previše vruć. ■ Noževi su se zaglavili. ■ Komplet baterija je odspojen od alata. 	<ul style="list-style-type: none"> ■ Motor će se povratiti po uklanjanju opterećenja. Za kontinuirani rad smanjite opterećenje na kultivator i izbjegavajte duboke obrade tla; umjesto toga pravite progresivno dublje rezove. ■ Pričekajte da se komplet baterija ohladi na temperaturu ispod 67 °C. ■ Izvadite bateriju iz pogonske jedinice, ručno zarotirajte noževe nazad i naprijed radi uklanjanja kamenja ili drugih prepreka između noževa ili između noža i kućišta prijenosnika. ■ Ponovo stavite komplet baterija.
	<ul style="list-style-type: none"> ■ Komplet baterija je ispražnjen. 	<ul style="list-style-type: none"> ■ Komplet baterija punite punjačem proizvođača EGO koji je naveden u ovom priručniku.

GARANCIJA

POLITIKA GARANCIJE PROIZVOĐAČA EGO

Za sve odredbe i uslove politike garancije proizvođača EGO posjetite internetsku stranicu egopowerplus.com.

קראו את כל ההוראות!



קראו את מדריך ההוראות

⚠ סיכון שיורי! אנשים בעלי מכשירים חשמליים כגון קוצבי לב, צריכים להתייעץ עם הרופא(ים) המטפל(ים) בהם לפני השימוש במכשיר זה. הפעלה של ציוד חשמלי בקרבת קוצבי לב עלולה להפריע לפעולת הקוצב או אפילו להפסיק את פעולתו.

⚠ אזהרה: על מנת להבטיח בטיחות ואמינות, יש לבצע את כל התיקונים וההחלפות בעזרת טכנאי שירות מוסמך.

סימני בטיחות

מטרתם של סימני הבטיחות היא למשוך את תשומת לבכם אל סכנות אפשריות. סימני הבטיחות וההסברים שלהם דורשים את תשומת הלב וההבנה המלאות שלכם. סימני הבטיחות בעצמם לא ימנעו כל סכנה. ההוראות והאזהרות אותן הם מספקים לא תחלפנה נקיטת אמצעי מניעה מתאימים בעת תאונה.

אזהרה: וודאו שאתם קוראים ומבינים את כל הוראות הבטיחות המופיעות במדריך זה למשתמש, כולל את כל סימני התראות הבטיחות כגון „סכנה“, „אזהרה“ ו-„זהירות“ לפני השימוש במכשיר זה. אי מילוי אחר כל ההוראות המופיעות למטה יכול לגרום להלם חשמלי, שרפה ו/או פציעות אישיות חמורות.

פירוש הסימן

⚠ סימן התרעת בטיחות: מעיד על „סכנה“, „אזהרה“ או „זהירות“. יכול להיות מלווה בסימנים או תמונות אחרים.

⚠ אזהרה: הפעלה של כלי עבודה חשמליים עלולה לגרום לעצמים זרים להיזרק אל תוך העיניים, דבר העלול לגרום לנזק חמור לעיניים. לפני הפעלה של כלי עבודה חשמלי, ענדו תמיד משקפי מגן או משקפי בטיחות עם הגנה צדדית, ובעת הצורך, הגנה עבור כל הפנים. אנו ממליצים על שימוש במסכת בטיחות רחבה מעל למשקפי המגן או על שימוש במשקפי בטיחות עם הגנה צדדית.



הוראות בטיחות

עמוד זה מציין ומתאר את סימני הבטיחות העשויים להופיע על גבי המוצר. קראו, הבינו ועקבו אחר ההוראות המופיעות על המכשיר לפני כל ניסיון להרכיב ולהשתמש בו.

	התראת בטיחות	מראה על סכנת פציעה אישית פוטנציאלית.
	קראו את מדריך ההוראות	על מנת להפחית את הסיכון לפציעות, על המשתמש לקרוא ולהבין את המדריך למשתמש לפני השימוש במוצר זה.
	לבשו מגני אזניים	השתמשו תמיד במגני אזניים בעת הפעלת מוצר זה.
	לבשו מגני עיניים	חבשו משקפי מגן או משקפי בטיחות עם הגנה צדדית, בעת הפעלת מוצר זה.
	לבשו כפפות מגן	הגנו על הידיים שלכם עם כפפות בעת הטיפול בלהבים. כפפות כבדות, שאינן מחליקות, משפרות את האחיזה שלכם ומגנות על הידיים שלכם.
	לבשו נעליים בטוחות	לבשו נעליים בטוחות נעלו נעליים בטוחות שאינן מחליקות בעת השימוש בציוד.
	נתז	עצמים עלולים להיות מותזים ולגרום לפציעה אישית או לנזק לרכוש.
	שימו על במרחק בטוח	כדי להפחית את הסיכון לפציעות של חתכים, הרחיקו את הרגליים מהלהבים הנעים.
	בקשו מאנשים אחרים להתרחק מן המכונה	שמרו על עוברי האורח במרחק בטוח
	CE	מוצר זה תואם לתקנות ה-CE הרלוונטיות.
	WEEE	אין לזרוק מוצרים חשמליים ביחד עם אשפה ביתית. הביאו את המכשיר למרכז מחזור מוסמך.
	רעש	רמת עוצמת קול מובטחת.

	נא לא לחשוף לגשם	נא לא להשתמש במזג אוויר גשום או להשאיר בחוץ בגשם.
IPX4	מל IP	הגנה מפני כניסה של מים בדרגה 4
V	ולט	מתח
mm	מילימטר	אורך או גודל
kg	קילוגרם	משקל

אזהרות בטיחות כלליות עבור כלי עבודה חשמליים

⚠ אזהרה! קראו את כל האזהרות הבטיחות, את ההוראות, התמונות והמפרטים המסופקים ביחד עם מכשיר חשמלי זה. אי מילוי כל ההוראות המופיעות למטה יכול לגרום אחריו שוק חשמלי, שרפה ו/או פציעה חמורה. שימרו את כל האזהרות וההוראות לעיון עתיד.

בטיחות סביבת העבודה

- שימרו על סביבת העבודה נקייה ומוארת כהלכה. סביבות לא מסודרות ואפלות מזמינות תאונות.
- אל תפעילו את המכשיר החשמלי באזורים דליקים, בנוכחות נוזלים דליקים, גזים או אבק. כלי עבודה חשמליים מייצרים ניצוצות העלולים להצית את האבק או האדים.
- בקשו מילדים ומעוברי אורח להתרחק מן המכשיר החשמלי בעת הפעלתו. הסחות דעת עלולות לגרום לכך לאבד שליטה.

בטיחות חשמלית

- אל תחשפו את המכשיר החשמלי לגשם או לתנאים רטובים. מים הנכנסים אל המכשיר החשמלי יגבירו את הסכנה להלם חשמלי.

בטיחות אישית

- הישארו דרוכים, הביטו במה שאתם עושים והשתמשו בשכל הישר כאשר אתם משתמשים במכשיר החשמלי. נא לא להשתמש במכשיר החשמלי כאשר אתם עייפים או תחת השפעה של סמים, אלכוהול או תרופות. רגע אחד של חוסר תשומת לב בעת הפעלת המכשיר החשמלי עלול לגרום לפציעה אישית חמורה.
- השתמשו תמיד בצידוד הגנה אישי. כאשר נעשה שימוש בצידוד הגנה אישי כגון הגנה לעיניים, מסכת אבק, נעלי בטיחות נגד החלקה, קסדות ו/או מגני אוזניים, בתנאים המתאימים, הדבר יפחית את הסיכון לפציעות אישיות חמורות.
- מנעו הפעלה מקרית. וודאו שהמתג נמצא במצב כבוי לפני חיבור הסוללה, לפני הרמת המכשיר החשמלי או נשיאתו. נשיאה של מכשירים חשמליים כאשר האצבע שלכם ממוקמת על המתג או חיבור מקורות מתח למכשירים חשמליים הנמצאים במצב פועל, מזמינים תאונות.
- הסירו כל כלי כוונון או מפתח ברגים לפני ההפעלה של המכשיר החשמלי. מפתח ברגים או כלי כוונון

המוצמד אל חלק נע של המכשיר החשמלי עלול לגרום לפציעה אישית חמורה.

- אל תנסו להתמתח רחוק מדי. שימרו על צעד ואיזון בטוחים בכל זמן. הדבר מאפשר שליטה טובה יותר במכשיר החשמלי. במצבים לא צפויים.
- לבשו בגדים מתאימים. אל תלבשו בגדים רפויים או תכשיטים. שימרו על השיער שלכם ועל חלקי ביגוד הרחק מחלקים נעים. בגדים רפויים, תכשיטים או שיער ארוך עלולים להיתפס בחלקים הנעים.
- אם המכשירים מגיעים ביחד עם חיבור להוצאת אבק ומתקני איסוף, וודאו שאלו מחוברים כהלכה והשימוש בהם נעשה באופן נכון. השימוש במתקנים לאיסוף אבק יכול להפחית סכנות הקשורות לאבק.
- אל תאפשרו לעצמכם להיות פחות זהירים בגלל שימוש תכוף במכשיר החשמלי, אל תהיו שאננים ואל תתעלמו מעקרונות הבטיחות. פעולה לא זהירה עלולה לגרום לפציעה חמורה בשבריר שנייה.

השימוש והטיפול במכשיר החשמלי

- אל תפעילו כוח על המכשיר החשמלי. השתמשו במכשיר החשמלי המיועד למטרה שלכם. המכשיר החשמלי הנכון יבצע את עבודתו בצורה טובה ובטוחה יותר בקצב בו הוא תוכנן לפעול.
- אל תשתמשו במכשיר החשמלי אם מתג ההפעלה והכיתוב איננו פועל. כל מכשיר חשמלי אשר לא ניתן לשלוט בו בעזרת המתג הוא מסוכן ויש לתקן אותו.
- הסירו את מארז הסוללה מן המכשיר החשמלי, אם ניתן, ו/או הפעילו כל התקן לנטרול סוללה לפני ניקיון של חומרים תקועים, לפני כל כוונון, שינוי של אביזרים, ניקיון או אחסון של המכשיר החשמלי. אמצעי זהירות למניעה אלו מפחיתים את הסיכון להפעלה מקרית של המכשיר החשמלי.
- אחסנו מכשירים חשמליים אשר אינם בשימוש הרחק מהשיג ידם של ילדים ואל תאפשרו לאנשים אשר אינם מכירים את המכשיר החשמלי או אשר לא קראו את ההוראות להפעיל את המכשיר החשמלי. מכשירים חשמליים הם מסוכנים כאשר הם בידם של אנשים אשר לא הוכשרו להפעיל אותם.
- תחזקו מכשירים חשמליים ואביזרים. בדקו יישור או ליפוף של חלקים נעים, שבירה של חלקים וכל תנאים אחרים אשר עלולים להשפיע על פעולת המכשיר החשמלי. אם המכשיר החשמלי ניזוק, יש לתקן אותו לפני השימוש בו. תאונות רבות נגרמות כתוצאה מתחזוקה לקויה של המכשירים החשמליים והאביזרים שלהם.
- שימרו על כלי החיתוך חדים ונקיים. לכלי חיתוך אשר תוחזקו כהלכה בעלי קצוות חדים יש פחות סיכוי לבצע ליפוף וקל יותר לשלוט בהם.
- השתמשו במכשירים חשמליים, באביזרים, בחתיכות המכשירים וכו' בהתאם להוראות אלו, כאשר אתם לוקחים בחשבון את תנאי העבודה ואת העבודה שיש לבצע. שימוש במכשיר החשמלי לפעולות אחרות מאשר אלו אליהן הוא מיועד עלול להסתיים במצב מסוכן.

- **שימרו על הידיות ועל חלקי האחיזה יבשים, נקיים וללא שמן או חומרי סיכה.** ידיות וחלקי אחיזה מחליקים עלולים להוביל לטיפול לא בטוח ו/או אבדן שליטה על המכשיר.
- **שימרו על כבלים הרחק מאזור העבודה של המכשיר.** בעת ההפעלה הכבלים עלולים לא להיות גלויים לעין וניתן לפגוע בהם במקרה עם המכשיר.

השימוש והטיפול בסוללת הכלי

- **הטעינו רק עם המטען המצוין על ידי היצרן.** מטען המתאים למארז סוללה אחד עלול ליצור סכנת אש עבור מארז סוללה אחר.
- **השתמשו במכשירים חשמליים עם מארזי סוללה המיועדים להם.** השימוש במארזי סוללה אחרים עלול ליצור סיכון לפציעות ושרפות.
- **כאשר מארז הסוללה איננו בשימוש, שימרו עליו במרחק מסוים מעצמים אחרים העשויים ממתכת, כגון מהדקי נייר, מטבעות, מפתחות, מסמרים, ברגים או עצמים קטנים ממתכת העלולים לבצע חיבור של מסוף אחד למשנהו.** ביצוע קצר בין מסופי הסוללה עלול לגרום לכוויות או שרפה.
- **בתנאי שימוש לא נאותים, נוזל עלול להיפלט מן הסוללה; הימנעו ממגע. אם ישנו מגע מקרי, שטפו במים. אם מתרחש מגע עם העיניים, בנוסף, פנו לעזרה רפואית.** נזל הנפלט מן הסוללה עלול לגרום לפריחה או כוויות.
- **אל תשתמשו במארז סוללה או מכשיר חשמלי ניזוקים או אשר שונו.** סוללות ניזוקות או אשר שונו עלולות להתנהג בצורה לא צפויה אשר עלולה להסתיים בשרפה, פיצוץ או סיכון לפציעה אישית.
- **אל תחשפו את מארז הסוללה או את המכשיר אל אש או טמפרטורות גבוהות.** חשיפה אל אש או טמפרטורות הגבוהות מ-130 C° עלולה לגרום לפיצוץ.
- **בצעו את כל הוראות ההטענה ואל תטעינו את מארז הסוללה או את הכלי החשמלי מחוץ לטווחי הטמפרטורה המצוינים בהוראות אלו.** הטענה לא נכונה או מחוץ לטווחי הטמפרטורה המצוינים עלולים לגרום לנזק ולהעלות את הסיכון לשרפה.

אזהרות בטיחות אחרות

הכשרה

- קראו את ההוראות בעיון. למדו היטב את הבקורות ואת השימוש המתאים במכשיר.
- לעולם אל תרשו לאנשים או ילדים אשר אינם מכירים הוראות אלו להשתמש במכשיר. תקנות מקומיות עלולות להגביל את גיל המפעיל.
- לעולם אל תעבדו כאשר ישנם אנשים, במיוחד ילדים, או חיות מחמד בסביבה.
- המפעיל או המשתמש אחראיים עבור כל תאונה או סכנה אשר עלולים להתרחש לאנשים אחרים או לרכושם.

הכנה

- בזמן העבודה, נעלו תמיד נעליים מוצקות ולבשו מכנסיים ארוכים. אל תפעילו את הציוד כאשר אתם יחפים או נועלים סנדלים.
- בדקו ביסודיות את האזור בו אתם עומדים להשתמש בציוד והסירו את כל החפצים אשר עלולים להיות מושלכים על ידי המכשיר.
- לפני השימוש, בדקו תמיד את הכלים לאיתור סימני בלאי או נזקים. החליפו אלמנטים או ברגים בעלי בלאי או נזק בסטימ על מנת לשמור על איזון.

הפעלה

- אל תפעילו את המנוע בחלל הסגור בו אדים מסוכנים של פחמן חד חמצני יכולים להצטבר
- עבדו רק באזור יום או באור מלאכותי חזק
- בעת השימוש על גבי מדרונות, היו בטוחים בצעדים שלכם
- פעלו תוך כדי הליכה, לעולם אל תרוצו עם המכשיר.
- בעת השימוש במכשירים מסתובבים על גלגלים, עבדו לרוחב המדרון, לעולם לא למעלה-למטה.
- היו מאוד זהירים בעת החלפת הכיוון על גבי מדרונות. אל תשתמשו על גבי מדרונות תלולים מאד.
- היו זהירים ביותר בעת הליכה לאחור או כאשר אתם מושכים את המכשיר אליכם.
- אל תחליפו את הגדרות השליטה במנוע או תפעילו את המנוע במהירות יתר.
- הפעילו את המנוע בזריזות, בהתאם להוראות היצרן וכאשר הרגליים שלכם נמצאות הרחק מן הכלי.
- אל תניחו את הידיים או הרגליים שלכם ליד או מתחת לחלקים מסתובבים.
- לעולם אל תרמו או תישאו את המכשיר כאשר המנוע פועל.
- Aהשתמשו רק עם מארזי הסוללה והמטענים הרשומים באיור

הפעלה על גבי מדרון:

- מדרונות הם גורמי תאונות המקושרים אל נפילות והחלקות, העלולים לגרום לפציעות חמורות. בעת השימוש על גבי מדרונות, היו בטוחים בצעדים שלכם. הפעלה על גבי מדרונות מצריכה זהירות מרובה. אם אינכם מרגישים בטוחים במדרון, אל תשתמשו בו.
- חפשו חורים, שורשים, סלעים, עצמים נסתרים או בליטות העלולים לגרום לכם למעוד או להחליק. דשא גבוה עלול להחביא מכשולים.

שירות

- **בצעו עבודות שירות על המכשיר החשמלי שלכם רק באמצעות טכנאי שירות מוסמך העושה שימוש בחלקי חילוף זהים בלבד.** הדבר יבטיח שבטיחות המכשיר החשמלי נשמרת.
- **לעולם אל תבצעו עבודות שירות למארזי סוללה ניזוקים.** שירות למארזי סוללה צריך להתבצע רק על ידי היצרן או ספקי שירות מוסמכים.

⚠ אזהרה: קראו את כל האזהרות הבטיחות, את ההוראות, התמונות והמפרטים המסופקים ביחד עם מכשיר חשמלי זה. אי מילוי כל ההוראות המופיעות למטה יכול לגרום אחריו שוק חשמלי, שרפה ו/או פציעה חמורה. שימרו את כל האזהרות וההוראות לעיון עתידי. שימרו על הוראות אלה

מפרטים

רוחב עיבוד	240 מ"מ	
עומק עיבוד	215 מ"מ	
גודל הלהב	215 מ"מ	
טמפרטורת הפעלה	0°C-40°C	
טמפרטורת אחסון	-20°C-70°C	
משקל (כולל המגן)	3,9 ק"ג	
רמת עוצמת קול נמדדת L_{WA}	87,6 dB(A) K=2,02 dB(A)	
רמת לחץ קול באוזן המפעיל L_{PA}	77,0 dB(A) K=3 dB(A)	
רמת עוצמת קול מובטחת L_{WA} (נמדדת על פי 2000/14/EC)	90 dB(A)	
a_n הערכת רטט	ידי עזרה קדמית	0,94 מ"שנייה ² $K=1,5$ מ"שנייה ²
	ידי אחורית	1,24 מ"שנייה ² $K=1,5$ מ"שנייה ²

- הפרמטרים לעיל נבדקים ונמדדים ביחד עם ראש חשמלי PH1400E.
 - ערך הרטט הכללי המוצהר נמדד בהתאם לשיטת בדיקה סטנדרטית וניתן להשתמש בו על מנת להשוות ציוד אחד עם ציוד אחר;
 - ניתן להשתמש בערך הרטט הכללי המוצהר בהערכה ראשונית של חשיפה.
- הודעה:** פליטת הרטט בעת השימוש המעשי בכלי יכולה להיות שונה מן הערך המוצהר כאשר הכלי נמצא בשימוש; על מנת להגן על המפעיל, על המשתמש ללבוש כפפות ומגני אוזניים בעת השימוש למעשה.

רשימת אריזה

שם חלק	כמות
אביזר קלטרת	1
מגן (עם בריח)	1
מפתח אלן	1
מדריך למפעיל	1

תיאור

הכירו את אביזר קוצץ הדשא שלכם (תמונה A)

1. כוסיית הקצה
2. מוט אביזר קלטרת
3. תיבת הילוכים
4. שרוול
5. להבים חיצוניים
6. להבים פנימיים
7. פין אבטחה
8. מגן
9. מפתח אלן

הרכבה

⚠ אזהרה: אם ישנם חלקים ניזוקים או חסרים, אל תפעילו את המכשיר עד אשר חלקים אלו יוחלפו. שימוש במכשיר זה עם חלקים פגומים או חסרים עלול לגרום לפציעה אישית חמורה.

⚠ אזהרה: אל תנסו לשנות את המוצר או ליצור אביזרים אשר אינם מומלצים לשימוש ביחד עם המסור המוצר. כל שינוי או הוספה שכזה מהווה שימוש לא נכון במכשיר ועלול לגרום לתנאים מסוכנים אשר יובילו לפציעה אישית חמורה אפשרית.

⚠ אזהרה: לבשו תמיד כפפות כבדות בעת ההתקנה או ההסרה של הלהב ובצוע כל עבודת תחזוקה על הלהב. היזהרו מהלהב והגנו על ידיכם מפציעה מהלהב.

⚠ אזהרה: אל תחברו את הקלטרת לראש החשמלי לפני השלמת ההרכבה. אי ציות להוראה זו עלול לגרום להפעלה מקרית ופציעה אישית חמורה.

הרכבת המגן

⚠ אזהרה: התקינו את המגן לפני שאביזר הקלטרת מחובר לראש החשמלי.

1. שחררו והסירו את הבריש מהמגן בעזרת מפתח אלן (איור B).
2. הרימו את מוט אביזר הקלטרת והסירו את מכסה הקצה מהמוט.
3. כשהוא מקביל לחרץ במגן עם לשונית המתכת בקצה המוט, העבירו את המגן דרך המוט עד שחורי הברגים במגן ובלשונית המתכת מקבילים (איור C ו-D).
4. השתמשו במפתח אלן כדי להדק את הבריש בכיוון השעון כדי לנעול את המגן בביטחה. ראו למטה תיאור חלקים בתמונה D:

D-1	בריח
-----	------

חיבור אביזר קלטרת לראש החשמלי

⚠ אזהרה: לעולם אין לחבר או להתאים אביזר כלשהו כשהראש החשמלי פועל או כשהסוללה מותקנת. אי כיבוי המנוע והסרת הסוללה עלולים לגרום לפציעה אישית חמורה.

אביזר קלטרת זה מיועד לשימוש עם ראש חשמלי EGO PH1400E.

1. עצרו את המנוע והסירו את מארז הסוללה
 2. שחררו את אום הפרפר שעל מצמד הראש החשמלי.
 3. אם מכסה הקצה נמצא על מוט האביזר, הסירו אותו ושמרו אותו במקום בטוח לשימוש מאוחר יותר.
- יישרו את החץ שעל מוט הקלטרת עם החץ שעל המצמד (איור E) ודחפו את מוט הקלטרת לתוך המצמד עד להישמע צליל „קליק” (איור F).

ראו למטה תיאור חלקים בתמונה E:

E-1	כפתור שחרור המוט
E-2	החץ על המצמד
E-3	אום פרפר
E-4	החץ על מוט האביזר
E-5	קו אדום

ראו למטה תיאור חלקים בתמונה F:

F-1	קו אדום
-----	---------

4. משכו מעט את המוט על אביזר הקלטרת כדי לוודא שהוא נעול היטב בתוך המצמד. אם לא, היזזו את מוט הקלטרת קדימה ואחורה בתוך המצמד עד להישמע צליל „קליק” ברור המציין את נעילת המוט במקומו.
5. **⚠ אזהרה:** וודאו שאום הפרפר על המצמד מהודק לגמרי לפני הפעלת הצידוד, בדקו אותו בקביעות להידוק בזמן השימוש כדי למנוע פגיעה אישית חמורה.

הסרת האביזר מהראש החשמלי

1. עצרו את המנוע והסירו את מארז הסוללה.
2. שחררו את אום הפרפר.
3. כלחצן שחרור המוט לחוץ, משכו או פתלו את אביזר הקלטרת מחוץ למצמד כדי להסיר אותו מהראש החשמלי

הפעלה

⚠ אזהרה: אל תניחו לעובדה שאתם מכירים את המוצר להפוך אתכם לפחות זהירים. זכרו שחוסר זהירות של שבריר אחד של שנייה מספיק לגרום לפגיעה אישית חמורה.

⚠ אזהרה: ענדו תמיד משקפי הגנה, ביחד עם מגני שמיעה. אם לא תעשו זאת עצמים עלולים להיזרק אל תוך העיניים שלכם ועלולות להיגרם פציעות חמורות אחרות.

⚠ אזהרה: אל תעשו שימוש בחיבורים או אביזרים אשר לא הומלצו על ידי יצרן מוצר זה. השימוש בחיבורים או אביזרים אשר לא הומלצו עלול לגרום לפגיעה חמורה.

יישומים

אתם יכולים להשתמש במוצר זה רק עבור המטרה להלן:

- הפרדת אדמת גן כדי להכין ערוגות לצורך שתילה מחדש.
 - עידור רדוד להוצאת עשבים או להפרדת האדמה סביב צמחים, המסייע לחדירה קלה יותר של מים ואוויר עמוק לתוך האדמה.
 - כיסוי האדמה בקומפוסט, עלים או חומרי דישון אורגניים אחרים. עידור רדוד יפריד את המעטה העליון של האדמה וישלב את החומרים המזינים המוספים.
 - יצירת תעלות או תלמים באדמה מופרדת.
- הודעה:** כדי למנוע נזק כלשהו לקלטרת או לעצים, יש להקפיד שהלהבים לא ייתפסו בעצים או בשרשים גדולים. הימנעו מעידור עמוק מידי, משום שהדבר עלול לפגוע בשרשים רדודים של חלק מהצמחים.

שימוש באביזר הקלטרת עם הראש החשמלי

⚠ אזהרה: לבשו בגדים מתאימים על מנת להפחית את הסיכון לפציעות בעת השימוש בכלי זה. אל תלבשו בגדים רפויים או תכשיטים. חבשו מגני עיניים. נעלו נעלי בטחונות. לבשו מכנסיים כבדים, ארוכים, מגפיים וכפפות. אל תלבשו מכנסיים קצרות או סנדלים או תלכו יחפים. החזיקו את הקלטרת כשיד אחת על הידית האחורית והידי השנייה על ידיית העזר הקדמית. שמרו על אחיזה יציבה בשתי ידיים בזמן ההפעלה של הקלטרת. יש לאחוז את גוזם הקלטרת בתנוחה נוחה כשהידיית האחורית בערך גובה המותניים.

שמרו על אחיזה ועל איזון על שתי הרגליים (איור G).

ניתן לעבוד על ידי הזזת הקלטרת קדימה ואחורה, משמאל לימין, מימין לשמאל, או בתנועה סיבובית. בחרו את השיטה הטובה ביותר שתתאים למטרתכם, אשר תלויה בגודל ובצורה של האזור ובמצב האדמה.

עבודה בתנועה מתחלפת קדימה ואחורה, מתאימה במיוחד להפרדת אדמה צפופה.

בעת יצירת תלמים או תעלות יש לפסוע אחורה באיטיות ולמשוך את הקלטרת כדי ליצור את התלם. חזרו על הפעולה בהתאם לצורך כדי ליצור תלמים עמוקים יותר.

הודעה: משיכת הקלטרת בזהירות כלפיכם בזמן שהיא חופרת באדמה תפחית את המאמץ שלכם ותקל על מלאכת העיבוד.

חלקים מושלכים עלולים לפצוע באופן חמור את המפעיל או עוברי אורח. על מנת להפחית את הסיכון לפגיעה אישית, חשוב מאוד לנקוט באמצעי הבטיחות הבאים:

- בדקו ופנו את השטח מחפצים נסתרים כגון זכוכית, אבנים, סלעים, בטון, תיל גידור, חתיכות מתכת וכד'; אשר עלולים להיות מושלכים או להסתבר בלהבים.
- הימנעו ממגע עם עצמים דרים קשים או מוצקים.
- בדקו את הלהבים בקביעות ובתדירות לאיתור סימני נזק או לאחר פגיעה בחפץ קשה. אל תמשיכו את העבודה עם להב ניזוק.

תחזוקת הלהב

- אחזו תמיד את הקלטרת בשתי הידיים בזמן ההפעלה. הקפידו על אחיזה חזקה בשתי הידיים.
- העבירו את הקלטרת לאזור העבודה לפני הפעלתה והפעילו את הקלטרת במהירות נמוכה יותר.
- לפני כל שימוש, בדקו לאיתור חלקים עם בלאי ו/או נזק. בדקו את הלהבים, את המגן ואת ידית העזר הקדמית והחליפו את החלקים הסדוקים, המלופפים, המעוקלים או הניזוקים בכל צורה שהיא.

לאחר כל שימוש, נקו את הקלטרת.

להפעלה/לכיבוי של כלי העבודה

עיינו בסעיף „הפעלה/כיבוי של הראש החשמלי” PH1400E בראש החשמלי

תחזוקה

⚠ אזהרה: במקרה של עבודות תיקון, השתמשו רק בחלקי חילוף זהים. שימוש בחלקי חילוף אחרים עלול לגרום לסכנה או נזק למוצר. על מנת להבטיח בטיחות ואמינות, יש לבצע את כל התיקונים וההחלפות בעזרת טכנאי שירות מוסמך.

⚠ אזהרה: כלי הסוללה לא צריכים להיות מחוברים אל החשמל; לכן, הם תמיד נמצאים במצב הפעלה. על מנת למנוע פציעות אישיות חמורות, היו זהירים מאוד בעת ביצוע עבודות תחזוקה, עבודות שירות או בעת החלפת אביזר החיתוך או אביזרים אחרים.

⚠ אזהרה: על מנת למנוע פציעות אישיות חמורות, הסירו את מארז הסוללה מהראש החשמלי והמתינו לעצירת כל הלהבים לפני ביצוע כל עבודות שירות, ניקיון, החלפת אביזרי נוספים, או כאשר המוצר אינו בשימוש.

⚠ אזהרה: לבשו תמיד כפפות כבדות בעת ההתקנה או ההסרה של הלהב או בביצוע כל עבודת תחזוקה על הלהב. היזהרו מהלהב והגנו על ידיכם מפציעה מהלהב.

תחזוקה כללית

⚠ אזהרה: לעולם אל תיתנו לנזולי בלימה, בנזין, מוצרים מבוססי בנזין, שמנים וכו', לבוא במגע עם חלקי פלסטיק. חומרים כימיים עלולים להזיק, להחליש או להרוס את הפלסטיק והדבר עלול לגרום לפציעה אישית חמורה.

⚠ אזהרה: בעת ניקוי אביזר הקלטרת, אין להטבילו במים או בנוזלים אחרים. אין לנקות את המכשיר בעזרת מכונת שטיפה בלחץ. סילון המים האיתן עלול לפגוע בחלקי המכשיר.

- שימרו על כל האומים, הבריחים והברגים הדוקים על מנת לוודא שהציוד נמצא בתנאי עבודה טובים.
- כדי להפחית את סכנת השריפה, הקפידו שהמנוע, המשתיק, ותא הסוללה יהיו נקיים מחומרי צמחים ומעודף שמן.
- החליפו חלקים בלויים או ניזוקים, למטרות בטיחות.

- שמרו על הלהבים בעזרת שמן למניעת חלודה באופן קבוע.
- אם נדרשת החלפה של מי מהלהבים עקב בלאי, החליפו את כל ארבעת הלהבים לביצועים מיטביים. כל פעולות השירות של הקלטרת, מלבד אלו המנויים בהוראות תחזוקה אלה, צריכים להתבצע על ידי אנשי שירות מוסמכים.

להחלפה

הקלטרת מצוידת בארבעה הלהבים - שני הלהבים פנימיים ושני הלהבים אחוריים. להפעלה נכונה של הקלטרת, יש להתקין את הלהבים בכיוון נכון. הסמלים R-I ו-R-II מוחתמים על הלהבים (איור H-1).

ראו למטה תיאור חלקים באיור H-1-I:

H-1	מוט ההיסע	H-7	פין אבטחה
H-2	שרוול פנימי	I-1	פין אבטחה
H-3	שרוול חיצוני	I-2	הלהב החיצוני עם החותמת „R”
H-4	סמל L	I-3	הלהב הפנימי עם החותמת „R”
H-5	הלהב הפנימי עם החותמת „L”	I-4	סמל R
H-6	הלהב החיצוני עם החותמת „L”		

הודעה: יש להרכיב את הלהבים בעלי השיניים הפונות לשני הכיוונים, בחלק הפנימי קרוב ביותר לתיבת ההילוכים.

- לבשו כפפות.
- מקמו את הלהב הפנימי עם החותמת „L”, בעל השיניים הפונות לשני הכיוונים, משמאל לתיבת ההילוכים.
- מקמו את הלהב החיצוני עם החותמת „L”, (השיניים פונות לכיוון אחד בלבד) באותו צד, כשהשרוול החיצוני כנגד הלהב הפנימי.
- כדי לאבטח את הלהב למוט ההיגוי, הכניסו את פין האבטחה לתוך חור הנעילה 1. עיינו באיורים J, K, L ו-N לייחוס.
- סובבו את הכלי כשלהב המתוקן נח כנגד הקרקע.
- מקמו את הלהב הפנימי עם החותמת „R”, בעל השיניים הפונות לשני הכיוונים, מימין לתיבת ההילוכים.
- מקמו את הלהב החיצוני עם החותמת „R”, (השיניים פונות לכיוון אחד בלבד) באותו צד, כשהשרוול החיצוני כנגד הלהב הפנימי.
- כדי לאבטח את הלהב למוט ההיגוי, הכניסו את פין האבטחה לתוך חור הנעילה 1 ואז סובבו את פין הנעילה ב-09°. עיינו באיורים J, K, L ו-N לייחוס.

הגנה על הסביבה



אל תיזרקו ציוד חשמלי, מטען הסוללה וסוללות/סוללות ניטנות לטעינה ביחד עם אשפה ביתית! בהתאם לחוק האירופי EU/2012/19, ציוד חשמלי ואלקטרוני אשר איננו נמצא יותר בשימוש, ובהתאם לחוק האירופי 2006/66/EC, ציוד חשמלי ואלקטרוני ניזוק, ייאספו באופן נפרד. אם ציוד חשמלי נזרק ביחד עם אשפה ביתית או במזבלה, חומרים מסוכנים עלולים לדלוף אל האדמה ולהפוך לחלק משרשרת המזון. דבר העלול לגרום לנזק לבריאות ולרווחה שלכם.

⚠ אזהרה: היחידה לא תפעל כראוי או שהיא עשויה להוות סכנה למפעיל או לעוברי אורח אם הלהבים מותקנים באופן שגוי. אם אתם מבחינים בבעיה בפעולת העידור של היחידה, בדקו אם הלהבים ממוקמים כראוי. יש להרכיב את הלהבים בעלי השיניים הפונות לשני הכיוונים, בחלק הפנימי קרוב ביותר לתיבת ההילוכים.

להתאמה

כאשר מעבדים בשטח מוגבל או בין שורות, ניתן להשתמש בקלטרת כשהלהבים הפנימיים בלבד מותקנים.

יש לעטות כפפות ולהסיר את שני פני האבטחה כדי להסיר את שני הלהבים החיצוניים (איור M) ואז להכניס את פני האבטחה לתוך חור הנעילה 2 (איור O-N).

ראו למטה תיאור חלקים בתמונה N:

N-1	חור נעילה 1
N-2	חור נעילה 2

הודעה: אין לכפות את הלהבים על או מחוץ למוט ההיגוי. אם אתם חשים קושי בעת הסרת הלהבים, מרחו שמן חוזר על המוט. בעת התקנה מחדש של הלהבים, הקפידו לנקות ולשמן את מוט ההיגוי ואת הלהבים.

נקו את היחידה

חלקי צמחים, כגון שורשים, יכולים להיכרך בחוזקה סביב או בין הלהבים המסתובבים במהלך הפעולה. לניקוי הלהבים המסתובבים:

- הסירו את הסוללה.
- לבשו כפפות. נקו את חלקי השורשים, האדמה התקועה או הצמחים על הלהבים, המגן או תיבת ההילוכים. לניקוי יסודי, הסירו את הלהבים והמגן כדי לשטוף אותם ביסודיות. לשלבי החלפה מפורטים עיינו בסעיף למעלה
- „החלפה או התאמה של הלהבים”
- נגבו את שטח הכלי עם מטלית נקייה אשר הוטבלה בתמיסת סבון עדינה

אחסון היחידה

- הסירו את מארז הסוללה מן המכשיר.
- הסירו את אביזר הקלטרת מהראש החשמלי וכסו את מוט האביזר עם מכסה הקצה כדי למנוע כניסת לכלוך למצמד.
- אחסנו את הכלי במקום יבש, מאוורר היטב, הרחק מהישג ידם של ילדים. אל תאחסנו את היחידה קרוב לחומרי ודשן, חומרי דלק או כימיקלים אחרים.

פתרון תקלות

פתרון	סיבה	בעיה
<ul style="list-style-type: none"> ■ הצמידו את מארז הסוללה אל הראש החשמלי. ■ הסירו את הסוללה, בדקו את המגעים והתקינו מחדש את מארז הסוללה כך שייכנס למקומו בנקישה. ■ הטעינו את מארז הסוללה עם מטעני EGO הרשומים במדריך זה. ■ לחצו על דושת הנעילה והחזיקו אותה, לאחר מכן לחצו על ההדק על מנת להפעיל את היחידה. 	<ul style="list-style-type: none"> ■ מארז הסוללה איננו מחובר כראוי לראש החשמלי. ■ לא מתבצע חיבור חשמלי בין הראש החשמלי למארז הסוללה. ■ קיבולת מארז הסוללה ריקה. ■ דושת הנעילה וההדק אינם משוחררים בו זמנית. 	<p>לא ניתן להפעיל את הקלטר.</p>
<ul style="list-style-type: none"> ■ המנוע יחזור לפעילות רגילה ברגע בו העומס יוסר. לעבודה ממושכת, הפחיתו את העומס על הקלטר והימנעו מעיבוד עמוק, במקום זאת בצעו חתכים עמוקים יותר בהדרגה. ■ אפשרו למארז הסוללה או לקלטר להתקרר עד לטמפרטורה של פחות מ-67°C. ■ הסירו את הסוללה מהראש החשמלי, סובבו את הלהבים באופן ידני קדימה ואחורה כדי להוציא את האבנים או מכשולים אחרים מבין הלהבים או בין הלהבים לתיבת ההילוכים. ■ התקינו מחדש את מארז הסוללה. 	<ul style="list-style-type: none"> ■ ישנו עומס יתר של המנוע. ■ מארז הסוללה חם מדי. ■ הלהבים תקועים. ■ מארז הסוללה מנותק מן הכלי 	<p>הקלטר מפסיקה לעבוד בזמן עיבוד.</p>
<ul style="list-style-type: none"> ■ הטעינו את מארז הסוללה עם מטעני EGO הרשומים במדריך זה. 	<ul style="list-style-type: none"> ■ קיבולת מארז הסוללה ריקה 	

אחריות

מדיניות האחריות של EGO

אנא בקרו באתר egopowerplus.com עבור התנאים וההתניות השלמים של מדיניות האחריות של EGO.

اقرأ جميع التعليمات!



اقرأ دليل التشغيل

⚠️ خطر زائد! الأشخاص الذين تم تركيب أجهزة طبية إلكترونية لهم، مثل منظم ضربات القلب، يجب عليهم استشارة الطبيب قبل استخدام هذا المنتج. لأن تشغيل معدات كهربائية بالقرب من منظم ضربات القلب قد ينشأ عنه خلل أو فشل في أداء منظم ضربات القلب.

⚠️ تحذير: لضمان السلامة والاعتمادية، يجب تنفيذ جميع أعمال الإصلاح واستبدال الأجزاء من قبل فني خدمة مؤهل.

رموز السلامة

الغرض من رموز السلامة هو جذب انتباهك إلى المخاطر المحتملة. رموز السلامة والشروح المصاحبة لها تستحق اهتمامك وفهمك الدقيق. تحذيرات كل رمز، بنفسها، لا تمنع وقوع أي خطر. التعليمات والتحذيرات التي تمنحك إياها لا تعد بديلاً عن تطبيق الإجراءات الملائمة لمنع وقوع الحوادث.

⚠️ تحذير: احرص على قراءة وفهم جميع تعليمات السلامة في دليل التشغيل هذا، بما في ذلك جميع رموز تنبيهات السلامة، مثل "خطر"، و"تحذير"، و"تنبيه"، قبل استخدام هذه الآلة. عدم اتباع جميع التعليمات الواردة أدناه قد يؤدي إلى حدوث صدمة كهربائية أو نشوب حريق أو التعرض للإصابة الشخصية، أحدها أو جميعها.

معنى الرمز

رمز تنبيه السلامة: يشير إلى خطر أو تحذير، أو تنبيه، وقد يتم استخدامه بشكل مترام مع الرموز أو الصور الكتابية الأخرى.

⚠️ تحذير: قد يؤدي تشغيل أي آلة عاملة بالطاقة إلى دخول أي أشياء غريبة في عينيك، وهو ما قد يؤدي إلى إلحاق أضرار خطيرة بالعين. قبل بدء تشغيل الآلة العاملة بالطاقة، احرص دائماً على ارتداء واقيات العينين أو نظارات حماية العينين ذات دروع جانبية، ودرع واق لكامل الوجه عند اللزوم. نوصي بارتداء قناع السلامة واسع الرؤية لاستخدامه فوق نظارات العين أو نظارات السلامة العادية ذات الدروع الجانبية.



تعليمات السلامة

هذه الصفحة تصف وتشرح رموز السلامة التي قد تظهر على هذا المنتج. اقرأ جميع التعليمات المذكورة على الآلة وافهمها واتبعها قبل محاولة تجميع الآلة وتشغيلها.

	تنبيه سلامة	يشير إلى خطر محتمل للتعرض لإصابة شخصية.
	اقرأ دليل لتشغيل	للحد من خطر الإصابة، يجب على المستخدم قراءة وفهم دليل التشغيل قبل استخدام هذا المنتج.
	ارتد أدوات حماية الأذنين	احرص دائماً على ارتداء أدوات حماية الأذنين عند تشغيل هذا المنتج.
	ارتد أدوات حماية العينين	ارتد دائماً نظارات الحماية الممزودة بواقيات على الجانبين أثناء تشغيل هذا المنتج.
	ارتد قفازات الحماية	احرص على ارتداء قفازات لليدين عند التعامل مع الشفرات. كما أن القفازات القوية المانعة للانزلاق تعزز من قدرتك على الإمساك وتحمي يديك.
	ارتد حذاء الحماية	ارتد حذاء الحماية احرص على ارتداء أحذية أمان مائعة للانزلاق عند استخدام هذه الآلة.
	الأشياء المتطايرة	فالأشياء المتطايرة من الآلة قد تترد وتؤدي إلى إصابات شخصية أو تلف للممتلكات.
	أبق قدميك بعيداً	للحد من خطر التعرض لجروح، أبق قدميك بعيداً عن الشفرات الدوّارة.
	أبق المرافقين بعيداً عن نطاق عمل الآلة	أبق المرافقين على مسافة آمنة
	شهادة الجودة الأوروبية CE	هذا المنتج متوافق مع توجيهات شهادة الجودة الأوروبية (CE) المعمول بها.
	نفايات المعدات الكهربائية والإلكترونية (WEEE)	لا يجب التخلص من الأجهزة الكهربائية المستهلكة في النفايات المنزلية. توجه بالجهاز إلى مركز إعادة تدوير معتمد.
	الضوضاء	مستوى قوة الصوت المضمنون.

	لا تُعرض المنتج للمطر	لا تستخدم المنتج تحت المطر أو أن تتركه في مكان مفتوح أثناء هطول المطر.
IPX4	رمز حماية المداخل IP	الحماية ضد دخول الماء، من الدرجة 4
V	فولت	الجهد الكهربائي
mm	مليمتر	الطول أو الحجم
kg	كيلوجرام	الوزن

تحذيرات السلامة العامة المتعلقة بالآلة العاملة بالبطاقة
⚠ تحذير: اقرأ جميع تحذيرات السلامة والتعليمات والرسوم التوضيحية والمواصفات المرفقة مع هذه الآلة. عدم اتباع جميع التعليمات الواردة أدناه قد يؤدي إلى حدوث صدمة كهربائية أو نشوب حريق أو التعرض للإصابة، أحدها أو جميعها.

احتفظ بجميع التحذيرات والتعليمات للرجوع إليها في المستقبل.

سلامة منطقة العمل

- حافظ على منطقة العمل نظيفة ومضادة جيداً. حيث عادة ما تتسبب المناطق المظلمة أو التي بها ركام إلى وقوع حوادث.
- لا تقم بتشغيل الآلات العاملة بالطاقة في أجواء قابلة للانفجار، على سبيل المثال في وجود سوائل أو غازات أو غبار قابلة للاشتعال. فقد تتسبب الآلات العاملة بالطاقة في صدور شرارة، والتي قد تتسبب في اشتعال الغبار أو الأبخرة القابلة للاشتعال.
- احتفظ بالأطفال والمشاهدين بعيداً عن موقع استعمال الآلة العاملة بالبطاقة. حيث إن الإلهاءات قد تجعلك تفقد السيطرة على الآلة.

- لا تقم بتعريض الآلات العاملة بالطاقة للمطر أو الأجواء الرطبة. حيث سيؤدي الماء الذي يدخل إلى الآلة العاملة بالطاقة إلى زيادة خطر حدوث صدمة كهربائية.

السلامة الشخصية

- ابق منتبهاً، وانتبه جيداً لما تفعله، وكن عقلياً عند تشغيل آلة تعمل بالبطاقة. لا تستخدم أداة آلة بالطاقة وأنت مجهد أو تحت تأثير المخدرات أو الكحوليات أو الأدوية. قد تؤدي لحظة من عدم الانتباه أثناء تشغيل الآلات العاملة بالطاقة إلى حدوث إصابات شخصية خطيرة.
- استعن دائماً بأدوات الحماية الشخصية. سيؤدي استخدام أدوات الحماية الشخصية كراقي العينين أو قناع الغبار أو أذنية السلامة المضادة للتلوث أو القفاز الصلبة أو أدوات حماية السمع، أحدهم أو جميعهم، في ظروف مناسبة إلى الحماية من الإصابات الشخصية.
- امنع بدء تشغيل الآلة غير المتعد. احرص على أن يكون مفتاح الطاقة في وضع الإيقاف قبل توصيل الآلة بمجموعة البطاريات، أو التقاط الآلة أو حملها. قد يتسبب حمل الآلات العاملة بالطاقة وإصبعك على مفتاح التشغيل أو شحنها ومفتاح التشغيل على وضع التشغيل في وقوع حوادث.
- أزل أي مفتاح تعديل أو مفتاح ربط قبل تشغيل الآلة العاملة بالبطاقة. قد يؤدي ترك مفتاح ربط أو مفتاح عادي مركباً على جزء دوار بالآلة العاملة بالطاقة إلى وقوع إصابات شخصية.
- لا تقف في مكان تضطر لمد يديك بعيداً. قف وأنت ثابت ومتوازن في جميع الأوقات. وهو ما يسمح بتحكم أفضل في الآلة العاملة بالطاقة في الظروف غير المتوقعة.

- ارتد الملابس الملائمة. لا ترتد ملابس أو مجوهرات غير ثابتة. احتفظ بشعرك وملابسك بعيداً عن الأجزاء المتحركة. قد تعلق الملابس الفضفاضة أو المجوهرات أو الشعر الطويل في الأجزاء المتحركة.
- إذا تم تقديم أجهزة خاصة بتوصيل أدوات استخراج وجمع الغبار، فأحرص على توصيلها واستخدامها على النحو اللازم. قد يؤدي استخدام جمع الغبار إلى الحد من المخاطر المرتبطة به.
- لا تدع الخبرة المكتسبة من الاستخدام المتكرر للآلات يجتلك تتعامل دون الانتباه اللازم وتتجاهل مبادئ السلامة المتعلقة بالآلة. فقد يتسبب أي إجراء غير مدروس في إصابات خطيرة في جزء من الثانية.

استخدام الآلة العاملة بالبطاقة والعناية بها

- لا تجبر الآلة العاملة بالطاقة على أعمال تفوق قدرتها. استخدم الآلة العاملة بالبطاقة الملائمة لأعمالك. ستقوم الآلة العاملة بالطاقة الملائمة بأداء أعمالك بشكل أفضل وأكثر أمناً بالمعدل الذي أعدت له.
- لا تستخدم الآلة العاملة بالطاقة إذا كان مفتاح التشغيل لا يمكن نقله إلى وضع التشغيل أو وضع الإيقاف. أي آلة عاملة بالطاقة لا يمكن التحكم فيها بمفتاح التشغيل تعتبر خطيرة وينبغي إصلاحها.
- اخضع مجموعة البطارية -إذا كانت قابلة للخلع- من الآلة العاملة بالبطاقة وأو قم بتفكيك أي جهاز تعطل للبطارية قبل تنظيف الاسدادات، أو عمل أي تعديلات، أو تغيير الملحقات، أو التنظيف، أو تخزين الآلات العاملة بالطاقة. إجراء السلامة الوقائية هذه تحد من خطر تشغيل الآلة العاملة بالطاقة بشكل خاطئ.
- خزن الآلات العاملة بالطاقة غير المستخدمة بعيداً عن متناول أيدي الأطفال ولا تسمح للأشخاص غير المعتمدين على استخدام الآلات العاملة بالطاقة أو على هذه التعليمات بتشغيل الآلات العاملة بالبطاقة تكون خطيرة في أيدي الأشخاص غير المدربين.
- حافظ على الآلات العاملة بالطاقة والملحقات. تحقق من عدم حادثة الأجزاء المتحركة أو ربطها، أو وجود كسور في الأجزاء، أو أي حالة أخرى قد تؤثر على عمل الآلة. إذا كان هناك تلف، فقم بإصلاح الآلة العاملة بالطاقة قبل استخدامها. فالعديد من الحوادث يكون سببها الآلات والملحقات التي لم تتم صيانتها.
- احتفظ بالأدوات القاطعة حادة ونظيفة. الأدوات القاطعة التي تتم صيانتها كما ينبغي للاحتفاظ بحوافها القاطعة حادة تكون أقل عرضة للانحناء وسهل التحكم فيها.
- استخدم الآلة والملحقات واللقم وما شابههم وفقاً لهذه التعليمات، مع الأخذ في الاعتبار بظروف العمل والأعمال التي سيتم تنفيذها.
- قد يؤدي استخدام الآلة في أعمال غير تلك المخصصة لها إلى حوادث خطيرة.
- احتفظ بالمقابض وأسطح الإمساك جافة ونظيفة وخالية من الزيوت والشحوم. لأن المقابض وأسطح الإمساك المنزلقة لا تمنحك القدرة على التعامل والتحكم الآمنين في الآلة.
- ابق الكابلات بعيداً عن منطقة عمل الآلة. أثناء التشغيل، قد تكون الكابلات غير مرئية، فتعرض للتلوث دون قصد بفعل الآلة.

استخدام الآلة العاملة بالبطارية والعناية بها

- لا تُعد شحن الآلة إلا باستخدام الشاحن المحدد بواسطة الشركة الصانعة. فالشاحن الملائم لنوع من مجموعات البطارية قد يتسبب في نشوب حريق إذا تم استخدامه مع مجموعة بطارية أخرى.
- استخدم الآلات العاملة بالطاقة مع مجموعات البطاريات المخصصة لها فقط. لأن استخدام أي مجموعات بطارية أخرى قد يؤدي إلى التعرض لإصابات أو نشوب حريق.

- عند عدم استخدام مجموعة البطارية، احتفظ بها بعيداً عن الأغراض المعدنية الأخرى مثل مشابك الأوراق أو العملات المعدنية أو المفاتيح أو المسامير أو البراغي أو الأغراض المعدنية الصغيرة الأخرى التي قد تتسبب في عمل دائرة قصر (قفل للدائرة) بين أقطاب البطارية. عمل دائرة قصر (قفل الدائرة) بين أطراف البطارية قد يتسبب في حروق أو نشوب حريق.
- في حالات التعامل السيء، قد يحدث ارتشاح للسوائل من البطارية؛ لا تلامسه. إذا حدثت ملامسة بشكل عرضي، فاغسلها بالماء. إذا لامس السائل العينين، فاطلب المساعدة الطبية على الفور. السائل المرشح من البطارية قد يتسبب في حدوث احتياج في الجلد أو حروق.
- لا تستخدم مجموعة البطارية أو الآلة إذا كانا تالفتين أو تم إدخال تعديلات عليهما. لأن البطاريات التالفة أو التي تم تعديلها قد تعمل بشكل غير متوقع، وهو ما قد يؤدي لنشوب حريق أو حدوث انفجار أو خطر التعرض للإصابة.
- لا تقم بتعرض مجموعة البطارية أو الآلة للحريق أو درجات الحرارة الزائدة. التعرض لدرجات الحرارة الأعلى من 130 درجة مئوية قد يؤدي لحدوث انفجار.
- اتبع تعليمات الشحن ولا تشحن مجموعة البطارية أو الآلة في نطاق درجة حرارة خارج النطاق المحدد في التعليمات. قد يؤدي الشحن غير المضبوط أو في درجات حرارة خارج النطاق المسموح به إلى تلف البطارية وخطر نشوب حريق.

التشغيل على منحدر:

- المنحدرات عامل أساسي متعلق بحوادث الانزلاق والسقوط، وهو ما قد يؤدي لإصابات خطيرة. تحقق دائماً من موضع أقدامك على المنحدرات. التشغيل على المنحدرات يتطلب انتباهاً زائداً. إذا شعرت بعدم الارتياح على أحد المنحدرات، فلا تعمل عليه.
- انتبه للحفر أو الأخاديد أو الصخور أو الأشياء غير المرئية أو النوات، لأنها قد تتسبب في انزلاقك أو تعثر. العشب الطويل قد يخفي أسفله العوائق.

الصيانة

- ينبغي إجراء الصيانة على الآلة بواسطة فني إصلاح متخصص باستخدام قطع غيار أصلية مطابقة فقط. فهذا سيضمن المحافظة على سلامة الآلة.
- لا تقم بصيانة مجموعات البطارية التالفة بأي حال من الأحوال. بل ينبغي أن تكون صيانة مجموعات البطارية من خلال الشركة الصانعة أو مقدمي الخدمة المعتمدين فقط.

⚠ تحذير: اقرأ جميع تحذيرات السلامة والتعليمات والرسوم التوضيحية والموصفات المرفقة مع هذه الآلة. عدم اتباع جميع التعليمات الواردة أثناء قد يؤدي إلى حدوث صدمة كهربائية أو نشوب حريق أو التعرض للإصابة، أحدها أو جميعها. احتفظ بجميع التحذيرات والتعليمات للرجوع إليها في المستقبل.

احفظ هذه التعليمات

المواصفات

240 مم	عرض الحرث
215 مم	عمق الحرث
215 مم	حجم الشفرة
0 - 40 درجة مئوية	درجة حرارة التشغيل
-20 - 70 درجة مئوية	درجة حرارة التخزين
3.9 كجم	الوزن (شاملاً الواقي)
87.6 ديسيبل(A)	مستوى قوة الصوت المُقَدَّر L_{WA}
2.02 ديسيبل(A)	
77.0 ديسيبل(A)	مستوى ضغط الصوت عند أذن مُشغَّل الآلة L_{PA}
3 ديسيبل(A)	

تحذيرات السلامة الأخرى

التدريب

- اقرأ التعليمات بعناية. اعتمد على أدوات التحكم والاستخدام الملائم للآلة.
- لا تسمح للأشخاص غير المعتمدين على هذه التعليمات أو الأطفال باستخدام الآلة. قد تُحدث بعض اللوائح المحلية سناً معيناً لمشغلي الآلة.
- لا تقم أبداً بالعمل أثناء تواجد أي أشخاص، خصوصاً الأطفال أو الحيوانات الأليفة، في الجوار.
- يرجى الانتباه إلى أن المشغل أو المستخدم هو المسؤول عن وقوع أي حوادث أو مخاطر يتعرض لها أشخاص آخرون أو تتعرض لها ممتلكاتهم،

الإعداد

- أثناء العمل، احرص دائماً على ارتداء أحذية قوية وبنظارتك. لا تقم بتشغيل الآلة وأنت حافي القدمين أو ترتدي صنادلاً مفتوحاً.
- افحص بعناية المنطقة التي سيتم استخدام الآلة فيها، وتخلص من جميع الأغراض التي قد تتطاير من الآلة.
- قبل الاستخدام، احرص دائماً على فحص الآلة بعينيك للتأكد من عدم تآكل أو تلف الأدوات. استبدل العناصر والمسامير المتآكلة أو التالفة بمجموعات كاملة للمحافظة على توازن الآلة.

التشغيل

- لا تقم بتشغيل المحرك في الأماكن المغلقة التي قد تتجمع بها أبخرة أول أكسيد الكربون الخطيرة.
- لا تعمل سوى في ضوء النهار أو الضوء الصناعي الجيد.
- تحقق دائماً من موضع أقدامك على المنحدرات.
- قم بالمشي أثناء العمل بالآلة ولا تجري أبداً.
- بالنسبة للآلات ذات العجلات الدوّارة، اعمل من جانب لآخر على المنحدرات، وليس لأعلى ولأسفل.

90 ديسيبل (A)		مستوى قوة الصوت المضمون L_{WA} (تم قياسه وفقاً للمعيار (2000/14/EC))
0.94 م/ثانية ²	مقبض المساعدة	القيمة المقدره للاهتزاز a_h
1.5=K م/ثانية ²	المقبض الخلفي	
1.24 م/ثانية ²		
1.5=K م/ثانية ²		

- تم اختبار المعايير أعلاه وقياسها أثناء تركيب رأس الطاقة PH1400E.
 - القيمة الكلية للاهتزاز الموضحة تم قياسها وفقاً لطريقة اختبار قياسية وقد تستخدم لمقارنة أداة بأخرى؛
 - كما يمكن استخدام القيمة الكلية للاهتزاز الموضحة في التقييم التمهيدي للتعرض.
- ملاحظة:** قد تختلف انبعاثات الاهتزاز أثناء الاستخدام الفعلي للألة العاملة بالطاقة عن القيمة المعلنة التي يتم استخدام الآلة فيها؛ ولحماية مشغل الآلة، ينبغي على المستخدم ارتداء قفازات وواقبات للأذن في ظروف الاستخدام الفعلية.

قائمة المحتويات

اسم القطعة	لكمية
ملحق المحررات	1
الواقي (مع المسمار)	1
مفتاح ربط سداسي (الأنكيه)	1
دليل التشغيل	1

الوصف

تعرف على ملحق جهاز القص (الشكل A)

1. غطاء خارجي
2. عمود ملحق المحررات
3. صندوق ناقل الحركة
4. جلبة
5. الشفرات الخارجية
6. الشفرات الداخلية
7. نيلة ربط
8. الواقي
9. مفتاح ربط سداسي (الأنكيه)

التجميع

تحذير: إذا حدث تلف أو فقد في أي أجزاء، لا تقم بتشغيل هذا المنتج إلا بعد استبدال الأجزاء. استخدام هذا المنتج مع وجود أجزاء تالفة أو مفقود قد يؤدي إلى وقوع إصابات شخصية خطيرة.

تحذير: لا تحاول إجراء أي تعديلات على هذا المنتج أو ابتداء ملحقات غير موصى بها للاستخدام مع هذا المنتج. أي تغيير أو تعديل من هذا النوع يعتبر سوء استخدام، وقد يؤدي إلى وضع خطير قد يتسبب في وقوع إصابات شخصية خطيرة محتملة.

تحذير: احرص دائماً على ارتداء قفازات قوية عند تركيب أو خلع الشفرة، أو إجراء أي أعمال صيانة على الشفرة. كن حذراً من الشفرة واحم يدك من التعرض للإصابة بفع الشفرة.

تحذير: لا تقم بتوصيل المحررات في رأس الطاقة إلا بعد اكتمال التجميع. عدم الامتثال لذلك قد يؤدي إلى بدء التشغيل غير المقصود للألة والتعرض المحتمل لإصابات شخصية خطيرة.

تركيب الواقي

تحذير: قم بتركيب الواقي قبل توصيل ملحق المحررات برأس الطاقة.

1. فك المسامير من الواقي وإخلعه بمفتاح الربط السداسي (الأنكيه) (الشكل B).
 2. ارفع عمود ملحق المحررات وإخلع الغطاء الخارجي من العمود.
 3. بعد محاذاة الفتحة الموجودة في الواقي مع اللسان المعدني الموجود بطرف العمود، مرر الواقي عبر العمود إلى تتم محاذاة فتحات المسامير الموجودة في الواقي واللسان المعدني (الشكل C و D).
 4. استخدم مفتاح الربط السداسي (الأنكيه) في ربط المسامير الملولب في اتجاه عقارب الساعة لتثبيت الواقي بإحكام.
- الشكل D انظر أدناه للتعرف على شرح الأجزاء:

D-1	مسامير ملولب
-----	--------------

توصيل ملحق المحررات برأس الطاقة

تحذير: لا تقم أبداً بتركيب أو تعديل أي ملحق بينما رأس الطاقة تعمل أو البطارية قد تم تركيبها. عدم إيقاف المحرك و خلع البطارية قد يؤدي إلى وقوع إصابات شخصية خطيرة.

ملحق المحررات هذا مصمم للاستخدام مع رأس الطاقة PH1400E من شركة EGO.

1. أوقف المحرك وإخلع مجموعة البطارية.
 2. فك الصامولة المجنحة من وصلة رأس الطاقة.
 3. إذا كان الغطاء الخارجي مثبتاً على عمود الملحق، إخلعه واحتفظ به في مكان آمن لاستخدامه لاحقاً.
- قم بمحاذاة السهم الموجود بعمود المحررات مع السهم الموجود بالوصلة (الشكل E)، وادفع عمود المحررات في الوصلة إلى أن تسمع صوت «نقرة» واضحة (الشكل F).

الشكل E انظر أدناه للتعرف على شرح الأجزاء:

E-1	زر تحريك العمود
E-2	السهم على الوصلة
E-3	صامولة مجنحة
E-4	السهم على عمود الملحق
E-5	خط أحمر

الشكل F انظر أدناه للتعرف على شرح الأجزاء:

F-1	خط أحمر
-----	---------

4. اسحب عمود ملحق المحررات برفق للتحقق من ثباته بإحكام في الوصلة. إن لم يكن ثابتاً، حرك عمود المحررات للخلف وللأمام في الوصلة إلى أن تسمع صوت "نقرة" واضحة تشير إلى تشبيقه في مكانه.
5. اربط الصامولة المنجحة بإحكام.

⚠ تحذير: تأكد من ربط الصامولة المنجحة الموجودة بالوصلة حتى النهاية جيداً قبل تشغيل الآلة، وتحقق من ربطها بانتظام أثناء الاستخدام لتجنب التعرض لإصابات شخصية خطيرة.

خلع الملحق من رأس الطاقة

1. أوقف المحرك وأخلع مجموعة البطارية.
2. فك الصامولة المنجحة.
3. أثناء الضغط مع التثبيت على زر تحرير العمود، اسحب أو لف عمود ملحق المحررات لخلعه من رأس الطاقة.

التشغيل

- ⚠ تحذير:** لا تسمح لاعتيادك على تشغيل هذا المنتج أن يجعلك مستهتراً عند التعامل معه. ولا تنس أن الاستعداد لجزء من الثانية كافٍ للتسبب في حدوث إصابات خطيرة.
- ⚠ تحذير:** ارتد بشكل دائم أدوات حماية العينين، بالإضافة إلى أدوات حماية السمع. قد ينجم عن عدم الامتثال لذلك دخول أشياء في عينيك، واحتمالية وقوع إصابات خطيرة.
- ⚠ تحذير:** لا تستخدم أي مرفقات أو ملحقات سوى تلك الموصى بها من قبل الشركة الصانعة لهذا المنتج. لأن استخدام مرفقات أو ملحقات غير موصى بها قد يؤدي إلى وقوع إصابات شخصية خطيرة.

الاستخدامات

- يمكنك استخدام هذا المنتج في الغرض الموضح أعلاه:
 - حرق تربة الحدائق لتحضيرها لإعادة الزراعة.
 - الحرق قليل العمق لاستئصال العشب الضار أو تفكيك التربة حول النباتات، ما يجعل الأمر أسهل على الهواء والماء في اختراق التربة حتى أعماقها.
 - عمل طبقة على التربة من السماد أو أوراق الشجر أو الأسمدة العضوية الأخرى. سيؤدي الحرق قليل العمق إلى تفكيك الطبقة العلوية من التربة ودمج المغذيات المضافة.
 - حفر الخنادق أو الأخاديد في التربة المتفككة.
- ملاحظة:** لتجنب إلحاق أي أضرار بالمحررات أو الأشجار، يجب ألا تتحشر الشفرات في الجذور الكبيرة للأشجار. تجنب الحرق بشكل عميق للغاية، لأن هذا قد يتسبب في إلحاق أضرار بالجذور غير العميقة لبعض النباتات.

استخدام ملحق المحررات مع رأس الطاقة

- ⚠ تحذير:** احرص على ارتداء ملابس ملائمة للحد من خطر التعرض لإصابات أثناء تشغيل هذه الآلة. لا ترتد ملابس أو مجوهرات غير ثابتة. ارتد أدوات حماية العينين. ارتد أحذية السلامة. احرص على ارتداء بنطال طويل قوي، وحذاء ذي رقيقة، وقفازات. لا ترتد بناطيل قصيرة أو صنادل أو أن تكون حافي القدمين. أمسك المحررات وإحدى يديك على المقبض الخلفي، واليد الأخرى على مقبض المساعدة الأمامي. أمسك بكلتا يديك بإحكام أثناء تشغيل المحررات. يجب إمساك المحررات في وضع مريح بينما المقبض الخلفي في مستوى الورك.

أمسك المقابض بإحكام وحافظ على توازن قديمك (الشكل G). يمكنك العمل عن طريق تحريك المحررات للأمام وللخلف، أو من اليسار إلى اليمين، أو من اليمين إلى اليسار، أو في حركة دائرية. اختر أفضل طريقة تناسب احتياجاتك، والتي ستعتمد على شكل ومساحة المنطقة المراد حرثها وحالة التربة.

العمل بالتبادل بين الحركة للخلف وللأمام مناسب بشكل خاص في تفكيك التربة الكثيفة.

عند حفر الخنادق أو الأخاديد، يكون العمل ببطء للخلف وسحب المحررات لعمل أخدود. كرر الخطوات بحسب الحاجة لعمل أخاديد أعمق.

ملاحظة: سحب المحررات برفق ناحيتك أثناء الحفر في التربة سيقلل من الجهد الواقع عليك ويجعل عملية الحرث أسهل.

قد تتسبب الأشياء المتطيرة في تعرض مشغل الآلة أو المراقبين للإصابات الخطيرة. للحد من خطر التعرض لإصابة شخصية، من الضروري اتباع الإجراءات الاحترازية التالية:

- افحص منطقة العمل وطورها من أي أشياء غير مرئية مثل الزجاج أو الأحجار أو الصخور أو أسلاك السياج أو قطع المعادن أو ما شابههم، والتي قد تتطاير أو تتحشر في الشفرات. تجنب ملامسة الأشياء الغريبة الصلبة أو المصمتة.
- افحص الشفرات بانتظام بحثاً عن أي علامات للتلف أو بعد الارتطام بشيء صلب. لا تواصل العمل إذا كانت الشفرة تالفة.
- احرص دائماً على الإمساك بالمحررات بكلتا يديك أثناء التشغيل. أمسك المقبضين بإحكام.
- انقل المحررات إلى منطقة العمل قبل بدء التشغيل، ثم ابدأ تشغيل المحررات بسرعة منخفضة.

قبل كل استخدام، افحص الأجزاء التالفة و/أو المتآكلة افحص الشفرات والوافي ومقبض المساعدة الأمامي، واستبدل أي أجزاء مشققة أو ملتوية أو مثنية أو تالفة بأي شكل من الأشكال.

نظف المحررات بعد كل استخدام

ليد تشغيل/ إيقاف الآلة

راجع قسم «تشغيل/إيقاف رأس الطاقة» الموجود في دليل تشغيل رأس الطاقة PH1400E.

الصيانة

⚠ تحذير: استخدم فقط قطع غيار أصلية عند إجراء أعمال الصيانة. لأن استخدام أي أجزاء أخرى قد ينشأ عنه خطر أو يتسبب في تعرض المنتج للتلف. لضمان السلامة والاعتمادية، يجب تنفيذ جميع أعمال الإصلاح من قبل فني خدمة مؤهل.

⚠ تحذير: لا تحتاج الآلات العاملة بالبطارية إلى توصيلها بمصدر تيار كهربائي، ولهذا فهي دائماً ما تكون جاهزة للتشغيل. لمنع وقوع إصابات شخصية خطيرة، تعامل بحذر شديد عند تنفيذ أعمال الصيانة، أو الخدمة، أو تغيير ملحق الجرّ أو الملحقات الأخرى.

⚠ تحذير: لمنع التعرض لإصابات شخصية خطيرة، أخلع مجموعة البطارية من رأس الطاقة وانتظر حتى توقف جميع الشفرات قبل إجراء أعمال الصيانة، أو التنظيف، أو تغيير الملحقات الإضافية، أو عند عدم استخدام المنتج.

⚠ تحذير: احرص دائماً على ارتداء قفازات قوية عند تركيب أو خلع الشفرة، أو تنفيذ أي أعمال صيانة على الشفرة. كن حذراً من الشفرة واحم يديك من التعرض للإصابة بفعل الشفرة.

6. ضع الشفرة الداخلية، المدموغ عليها الحرف «R»، والتي لها أسنان في الاتجاهين، على الجانب الأيمن لصندوق ناقل الحركة.
7. ضع الشفرة الخارجية، المدموغ عليها الحرف «R»، (الأسنان في اتجاه واحد فقط) على نفس الجانب، بحيث تكون الجلبة الخارجية في الاتجاه المقابل للشفرة الداخلية.
8. لتثبيت الشفرة في عمود الإدارة بإحكام، أدخل تيلة الربط في فتحة القفل-1، وبعد ذلك أدر تيلة الربط بزاوية 90 درجة. راجع الأشكال J و K و L و N للمزيد من المعلومات.

⚠ تحذير: لن تعمل الوحدة بشكل ملائم أو قد تتسبب في تعرض مشغل الآلة أو المراقفين له للمخاطر إذا كانت الشفرات غير مركبة بشكل صحيح. إذا لاحظت مشكلة في أداء الآلة أثناء الحرت، تحقق من وجود الشفرة في موضعها المناسب.

يجب تركيب الشفرات التي لها أسنان في الاتجاهين على الجانب الداخلي، بالقرب من صندوق ناقل الحركة.

للضبط

عند الحرت في منطقة ضيقة أو بين صفوف الزراعة، يمكن استخدام المحراث مع تركيب الشفرات الداخلية فقط.

احرص على ارتداء قفازات وخلع تيلتي الربط لفصل الشفرتين الخارجيتين (الشكل M)، ثم أدخل تيلتي الربط في فتحة القفل-2 (الشكل N و O).

الشكل N انظر أدناه للتعرف على شرح الأجزاء:

فتحة القفل-1	N-1
فتحة القفل-2	N-2

ملاحظة: لا تقم بتركيب الشفرات على عمود الإدارة أو خلعها عنه بقوة. إذا واجهت صعوبة أثناء خلع الشفرات، ضع بعض الزيت المتغلغل على العمود. عند إعادة تركيب الشفرات، احرص على تنظيف عمود الإدارة والشفرات، وتزييتهم.

تنظيف الوحدة

قد تلثف أجزاء من النبات بقوة، مثل الجذور، حول أو بين الشفرات الدوّارة أثناء التشغيل. لتنظيف الشفرات الدوّارة:

- اخلع البطارية.
- احرص على ارتداء قفازات. تخلص من أجزاء الجذور أو كتل التربة، أو والنباتات من الشفرة أو الواقي أو صندوق ناقل الحركة. للتنظيف الجيد، اخلع الشفرات والواقي لتنظيفهم جيدًا. للتعرف على خطوات الاستبدال المفصلة، يُرجى مراجعة قسم «استبدال أو ضبط الشفرات» أعلاه.
- امسح سطح الآلة بقطعة قماش نظيفة مبللة بمحلول صابون خفيف.

تخزين الوحدة

- اخلع مجموعة البطارية من الآلة.
- اخلع ملحق المحراث من رأس الطاقة، وقم بتغطية عمود الملحق بالغطاء الخارجي لتجنب دخول الأوساخ في الوصلة.
- خزن الآلة في منطقة جافة جيدة التهوية بعيدًا عن متناول أيدي الأطفال. لا تقم بتخزين الوحدة على الأسمدة أو البنزين أو المواد الكيميائية الأخرى، أو بجزاها.

الصيانة العامة

⚠ تحذير: لا تسمح في أي وقت من الأوقات بملامسة سوائل الفرامل أو البنزين أو المنتجات القائمة على البترول أو الزيت المتغلغل أو ما شابههم للأجزاء البلاستيكية من المنشار. لأن المواد الكيميائية قد تتسبب في تلف الأجزاء البلاستيكية أو وضعفها أو تدميرها، وهو ما قد يؤدي إلى وقوع إصابات خطيرة.

⚠ تحذير: عند تنظيف ملحق المحراث، لا تغمره في الماء أو أي سوائل أخرى. لا تقم بتنظيف التّك باستخدام مغسلة الضغط العالي.

- حيث أن الماء المتدفق بقوة قد يتسبب في تلف أجزاء الآلة.
- احرص على التأكد من ربط جميع الصواميل والمسامير والبراغي بإحكام لضمان عمل المعدات بشكل آمن.
- للحد من خطر نشوب حريق، حافظ على خلو المحرك وكتام الصوت وحجرة البطارية من المواد النباتية والشحوم الزائدة.
- لسلامتك، استبدل الأجزاء المتآكلة أو التالفة.

صيانة الشفرة

- احرص على صيانة الشفرات بزيت مقاوم للصدأ بانتظام.
 - إذا كانت هناك أي فرشاة بحاجة للاستبدال نتيجة تآكلها، فقم بتغيير الشفرات الأربع كلها لتحقيق أفضل أداء.
- يجب تنفيذ جميع أعمال صيانة المحراث من قبل فني صيانة معتمد، باستثناء البنود المدرجة في تعليمات الصيانة هذه.

للاستبدال

المحراث به أربع شفرات – شفرتان داخليتان وشفرتان خارجيتان. لتشغيل المحراث بشكل صحيح، يجب تركيب الشفرات وفقًا للاتجاه الصحيح. الرموز R و L مدموغ على الشفرات (الشكل H و I).

الشكل H و I انظر أدناه للتعرف على شرح الأجزاء:

H-1	عمود الإدارة	H-7	تيلة ربط
H-2	جلبة داخلية	I-1	تيلة ربط
H-3	جلبة خارجية	I-2	الشفرة الخارجية مدموغ عليها "R"
H-4	الرمز L	I-3	الشفرة الداخلية مدموغ عليها "R"
H-5	الشفرة الداخلية مدموغ عليها "L"	I-4	الرمز R
H-6	الشفرة الخارجية مدموغ عليها "L"		

ملاحظة: يجب تركيب الشفرات التي لها أسنان في الاتجاهين على الجانب الداخلي، بالقرب من صندوق ناقل الحركة.

1. احرص على ارتداء قفازات.
2. ضع الشفرة الداخلية، المدموغ عليها الحرف «L»، والتي لها أسنان في الاتجاهين، على الجانب الأيسر لصندوق ناقل الحركة.
3. ضع الشفرة الخارجية، المدموغ عليها الحرف «L»، (الأسنان في اتجاه واحد فقط) على نفس الجانب، بحيث تكون الجلبة الخارجية في الاتجاه المقابل للشفرة الداخلية.
4. لتثبيت الشفرة في عمود الإدارة بإحكام، أدخل تيلة الربط في فتحة القفل-1. راجع الأشكال J و K و L و N للمزيد من المعلومات.
5. اقلب الآلة رأسًا على عقب بحيث تكون الشفرة المركبة مركزة على الأرض.

حماية البيئة

لا تتخلص من المعدات الكهربائية وشاحن البطارية والبطاريات العادية/البطاريات القابلة لإعادة الشحن في النفايات المنزلية! وفقًا للقانون الأوروبي 2012/19/ EU، فإن المعدات الكهربائية والإلكترونية التي لم تعد صالحة للاستخدام، ووفقًا للقانون الأوروبي 2006/66/EC، فإن مجموعات البطارية/البطاريات المعطوبة أو المستهلكة، يجب جمعها بشكل منفصل. إذا تم التخلص من الأجهزة الكهربائية في أكوام القمامة أو مقلب النفايات، قد تتسرب مواد خطيرة في المياه الجوفية وتصل إلى السلسلة الغذائية، وهو ما يضر بالصحة والعافية.



استكشاف الأعطال وإصلاحها

المشكلة	السبب	الحل
لا يمكن بدء تشغيل المحراث.	<ul style="list-style-type: none"> مجموعة البطارية غير مركبة كما ينبغي في رأس الآلة العاملة بالطاقة. لا يوجد اتصال كهربائي بين رأس الطاقة ومجموعة البطارية. نقد شحن مجموعة البطارية. لم يتم الضغط على ذراع القفل والزناد بشكل متزامن. 	<ul style="list-style-type: none"> قم بتركيب مجموعة البطارية في رأس الطاقة. اخلع البطارية، وافحص التوصيلات، ثم أعد تركيب مجموعة البطارية، بحيث تتشكك في مكانها. اشحن مجموعة البطارية بشاحن EGO المدرج في هذا الدليل. اضغط مع التثبيت على ذراع القفل، ثم اضغط مع التثبيت على الزناد لتشغيل الوحدة.
يتوقف المحراث عن العمل أثناء الحرث.	<ul style="list-style-type: none"> هناك حمل زائد على المحرك. مجموعة البطارية ساخنة للغاية. هناك انسدادات في الشفرات. مجموعة البطارية مفصولة من الآلة. نقد شحن مجموعة البطارية. 	<ul style="list-style-type: none"> سيعاود المحرك العمل عند التخلص من الحمل الواقع عليه. عند العمل بشكل متواصل، خفف الحمل الواقع على المحراث وتجنب الجز العميق؛ بل بدلاً من ذلك، قم بتعميق الحرث بشكل تدريجي. اترك مجموعة البطارية تبرد إلى أن تهبط درجة الحرارة إلى ما دون 76 درجة مئوية. اخلع مجموعة البطارية من رأس الطاقة، وأدر الشفرات يدوياً للخلف وللأمام لإخراج الأحجار أو العوائق الأخرى من بين الشفرات، أو من بين الشفرة وصندوق ناقل الحركة. أعد تركيب مجموعة البطارية. اشحن مجموعة البطارية بشاحن EGO المدرج في هذا الدليل.

الضمان

سياسة ضمان EGO

تفضل بزيارة الموقع الإلكتروني egopowerplus.com للتعرف على الشروط والأحكام الكاملة الخاصة بسياسة ضمان EGO.

